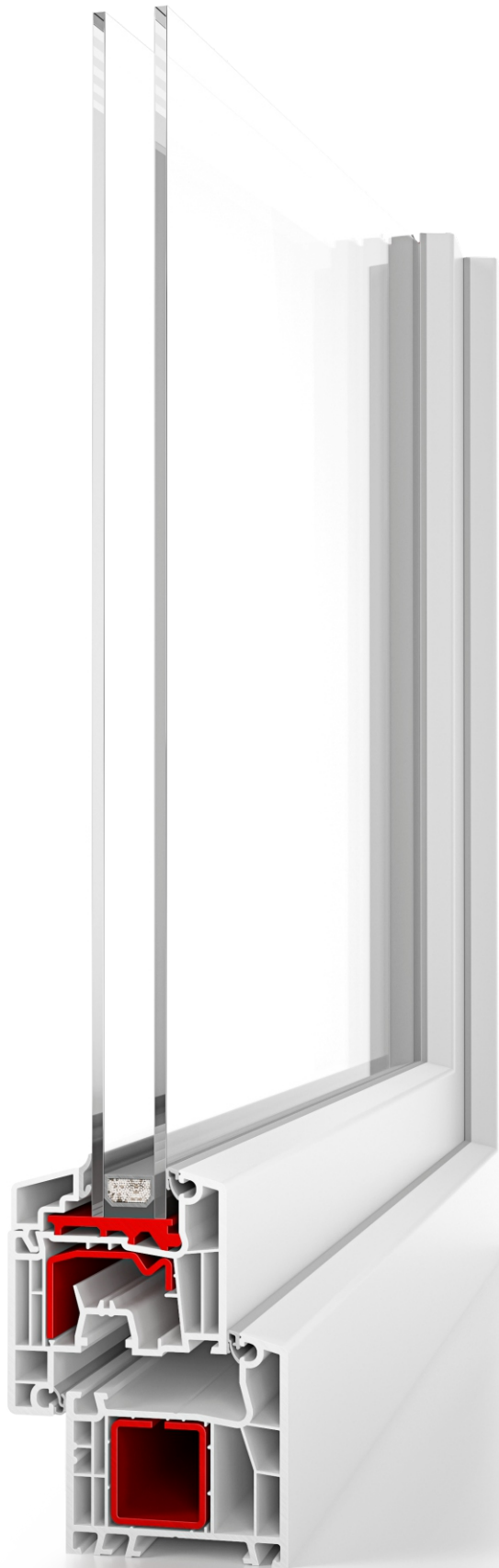


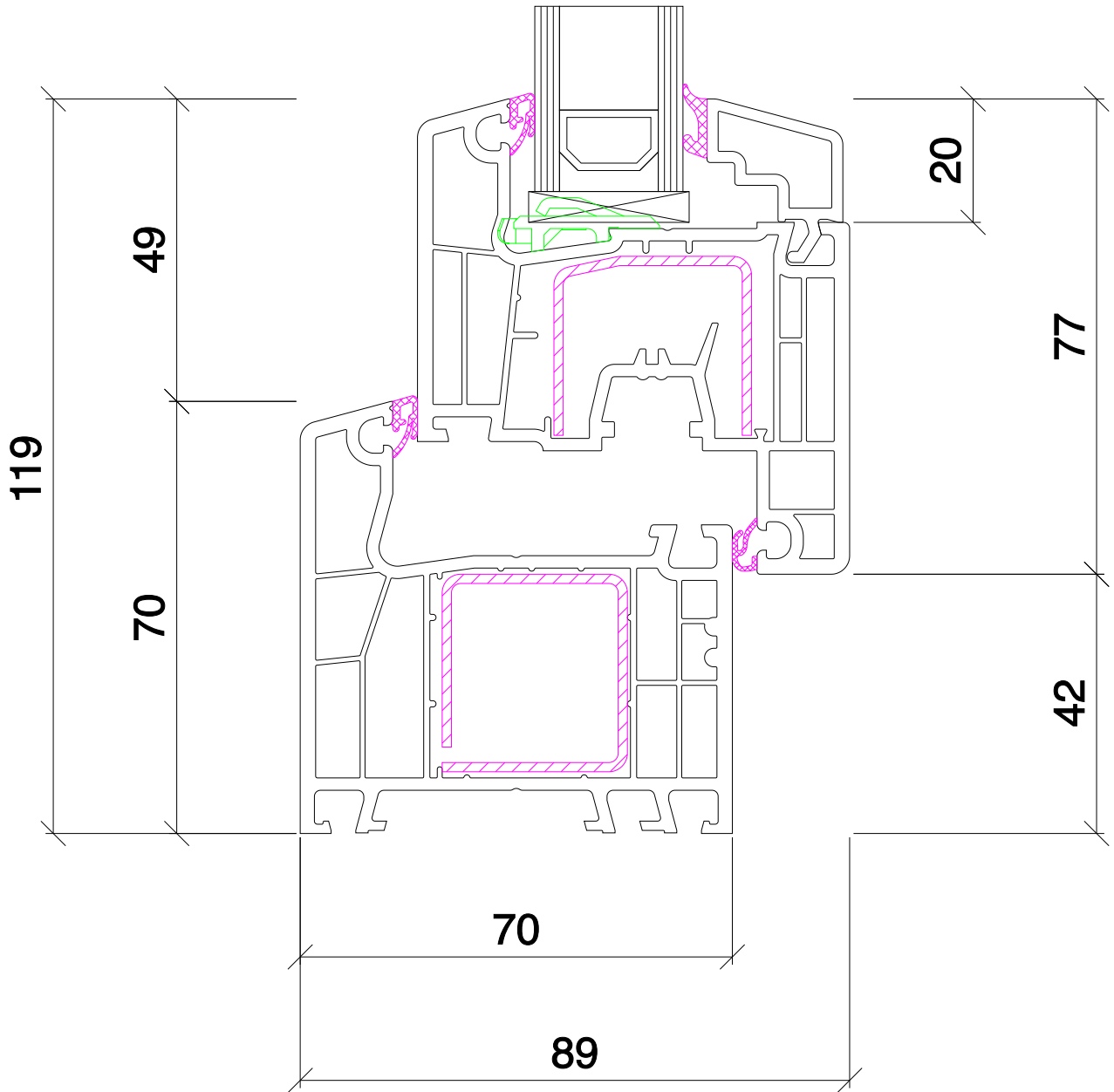
Technical Catalogue

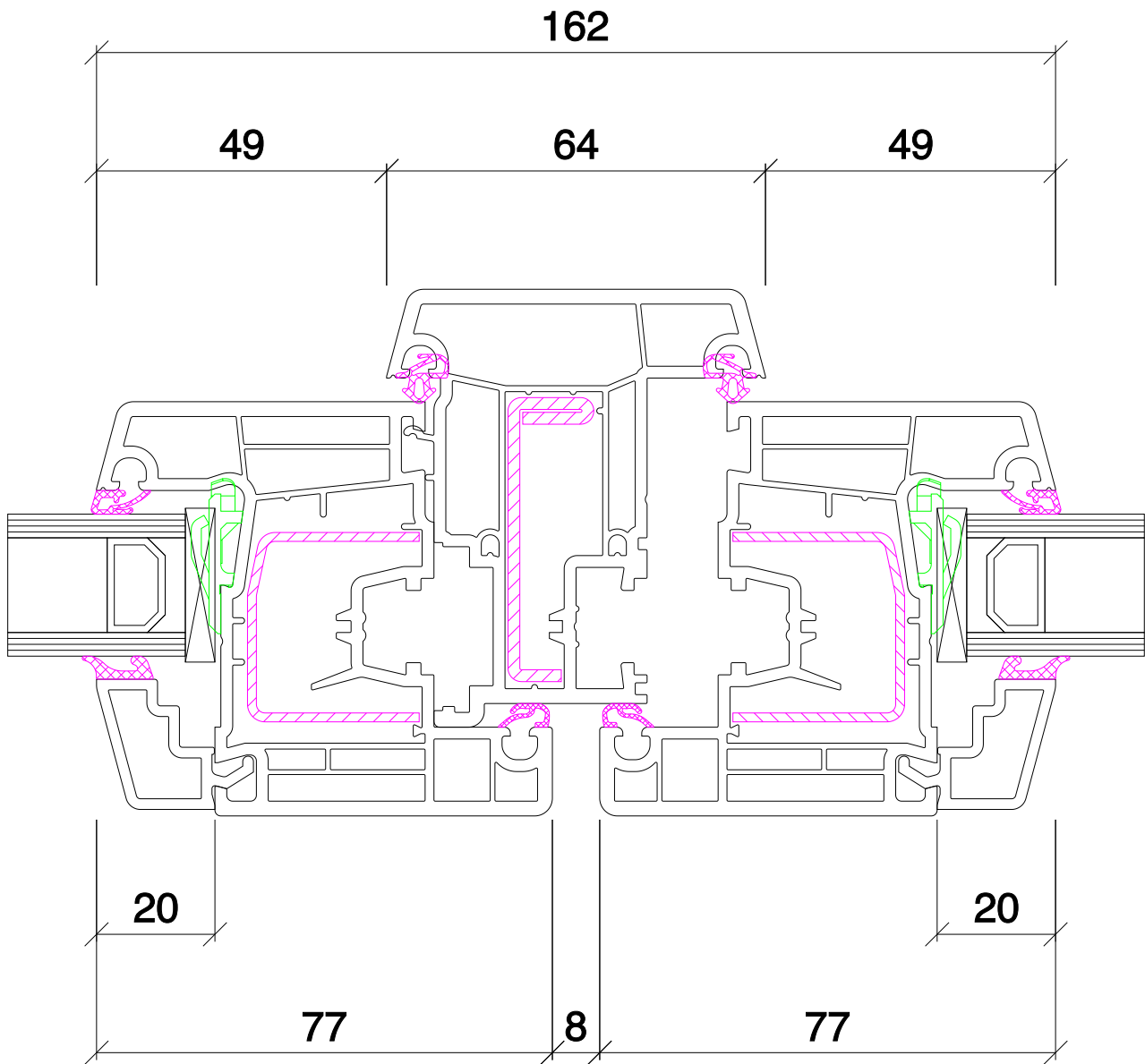
Catalogo Tecnico
Technischer Katalog
Catalogue Technique
Tehnični Katalog
Katalogu Teknik

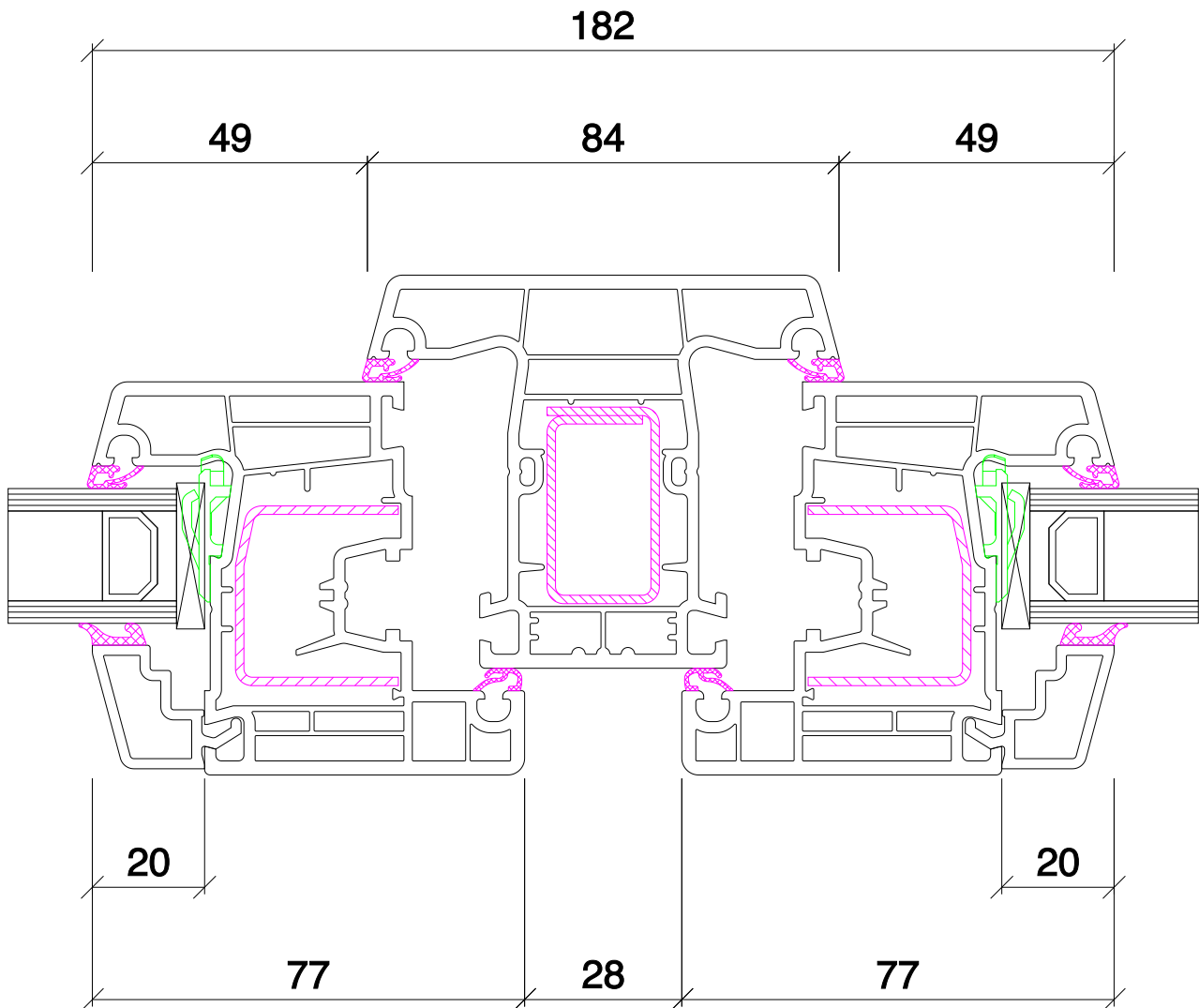
IDEAL

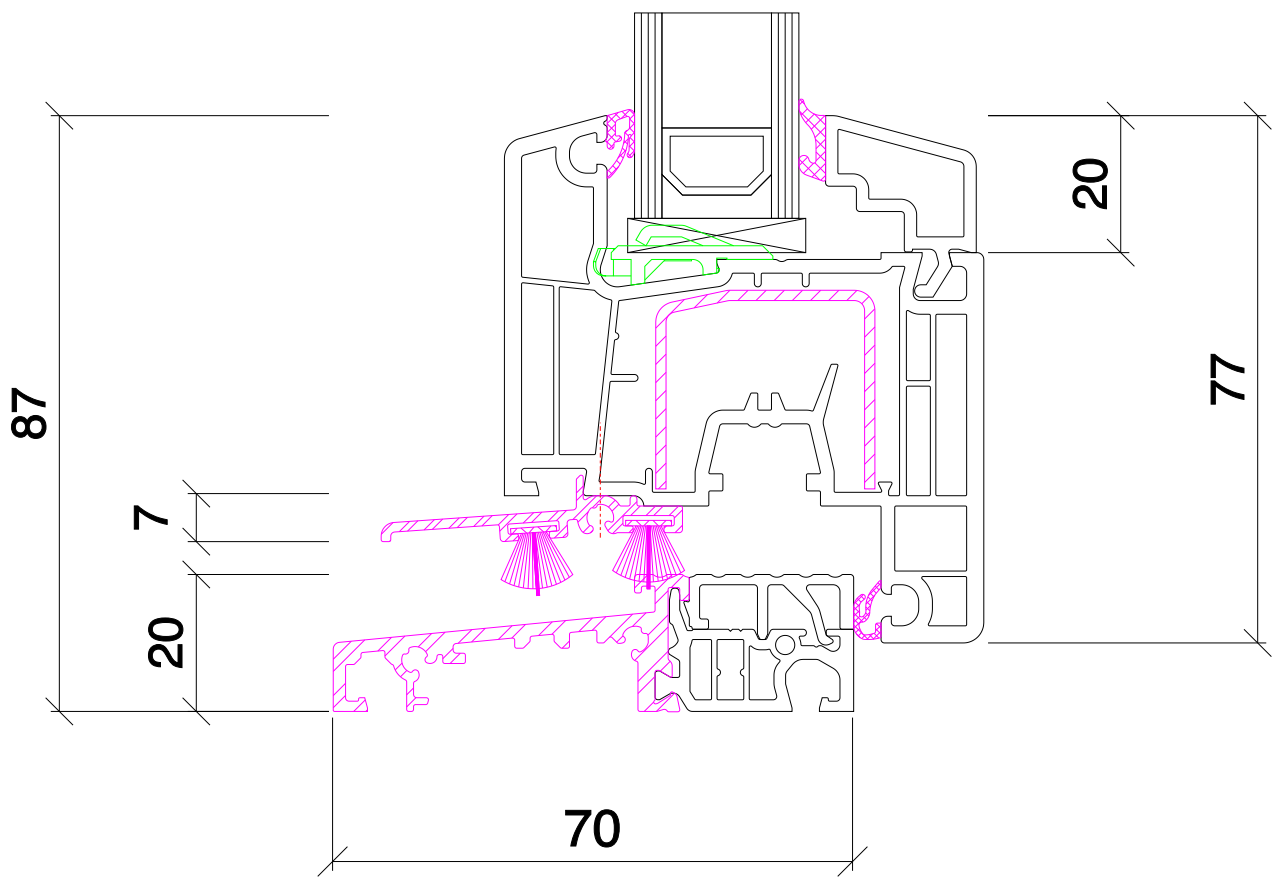
4000



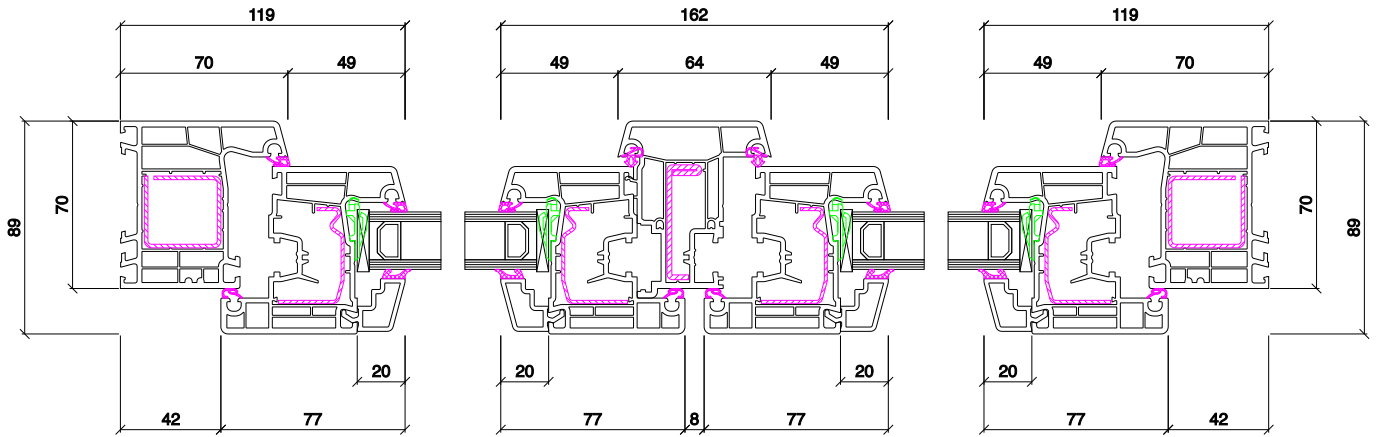






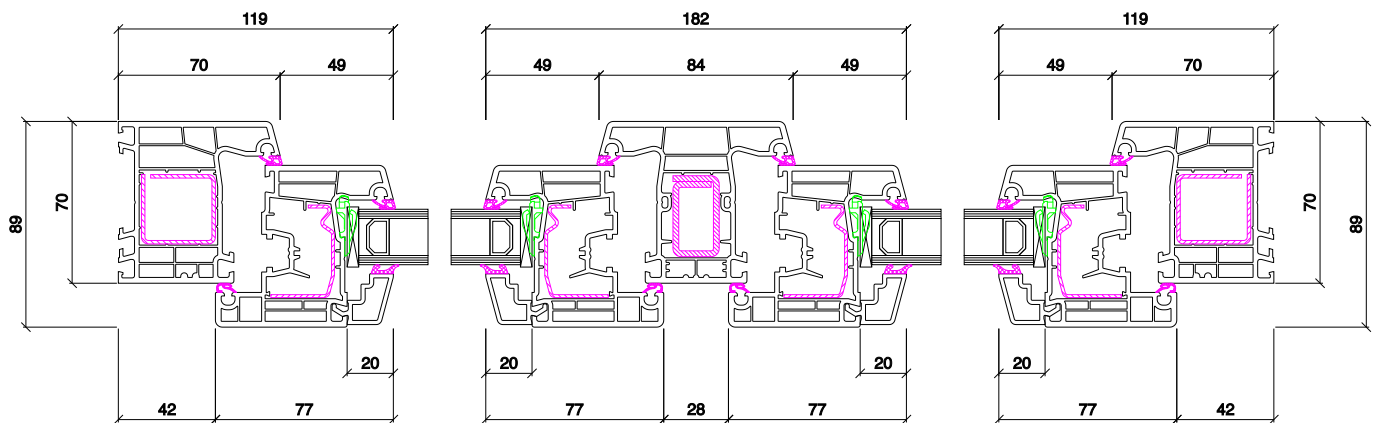


IDEAL 4000® / energeto® 4000



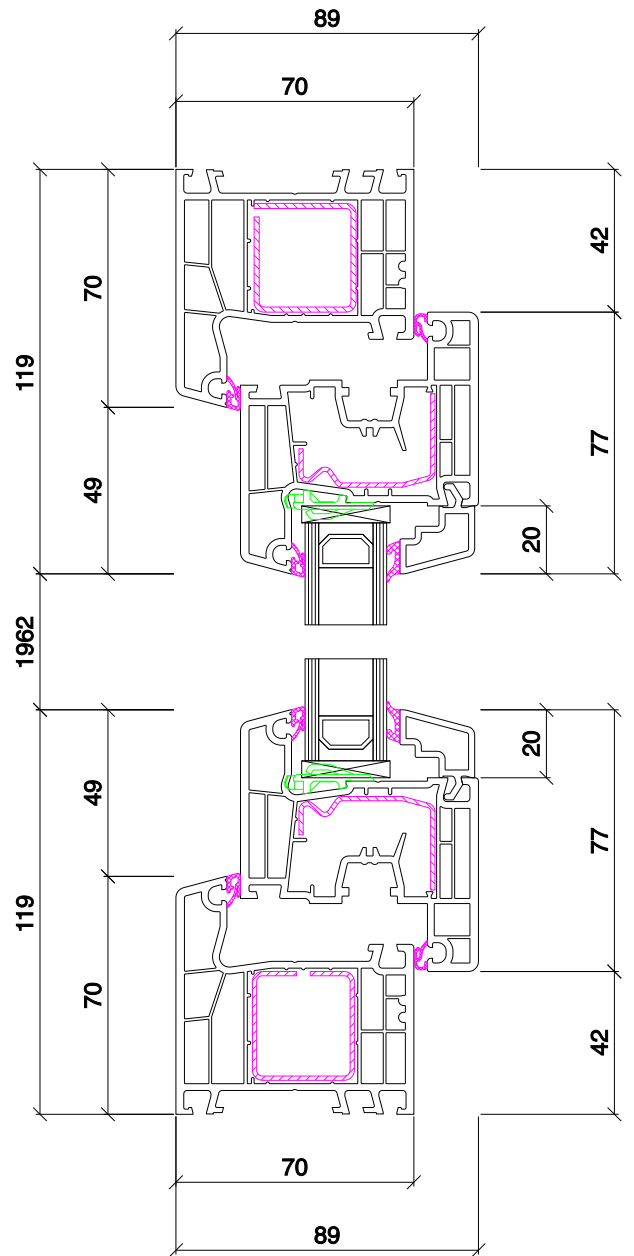
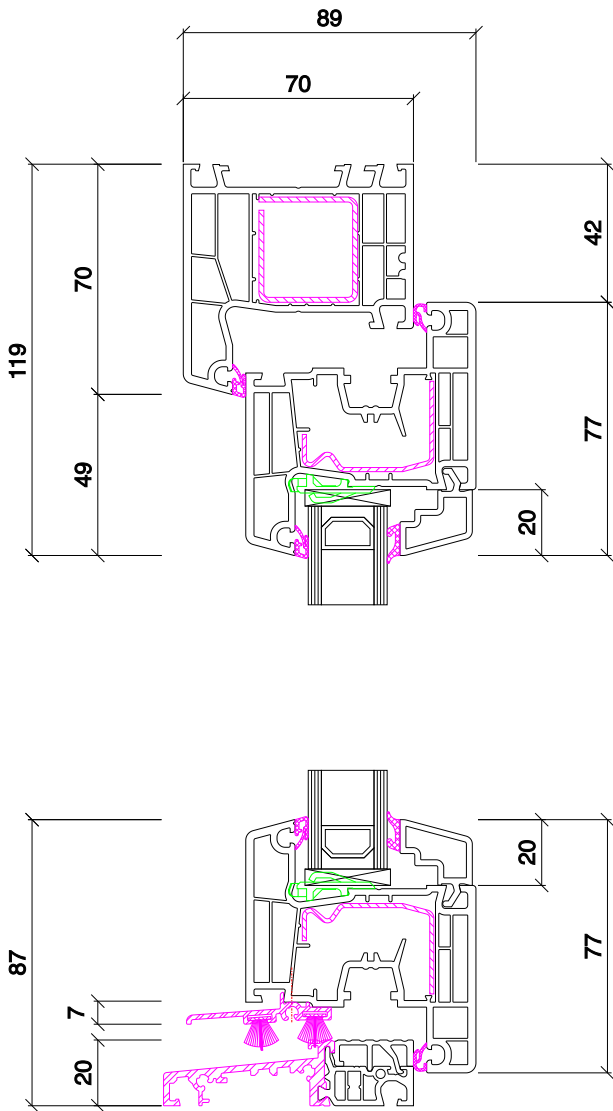
Blendrahmen 140x07 Blendrahmen 70 mm
Stulp 140x66 Stulp 64 mm

Sash 140x20 Sash 77 mm



Blendrahmen 140x07 Blendrahmen 70 mm
Pfosten 140x41 Pfosten 84 mm

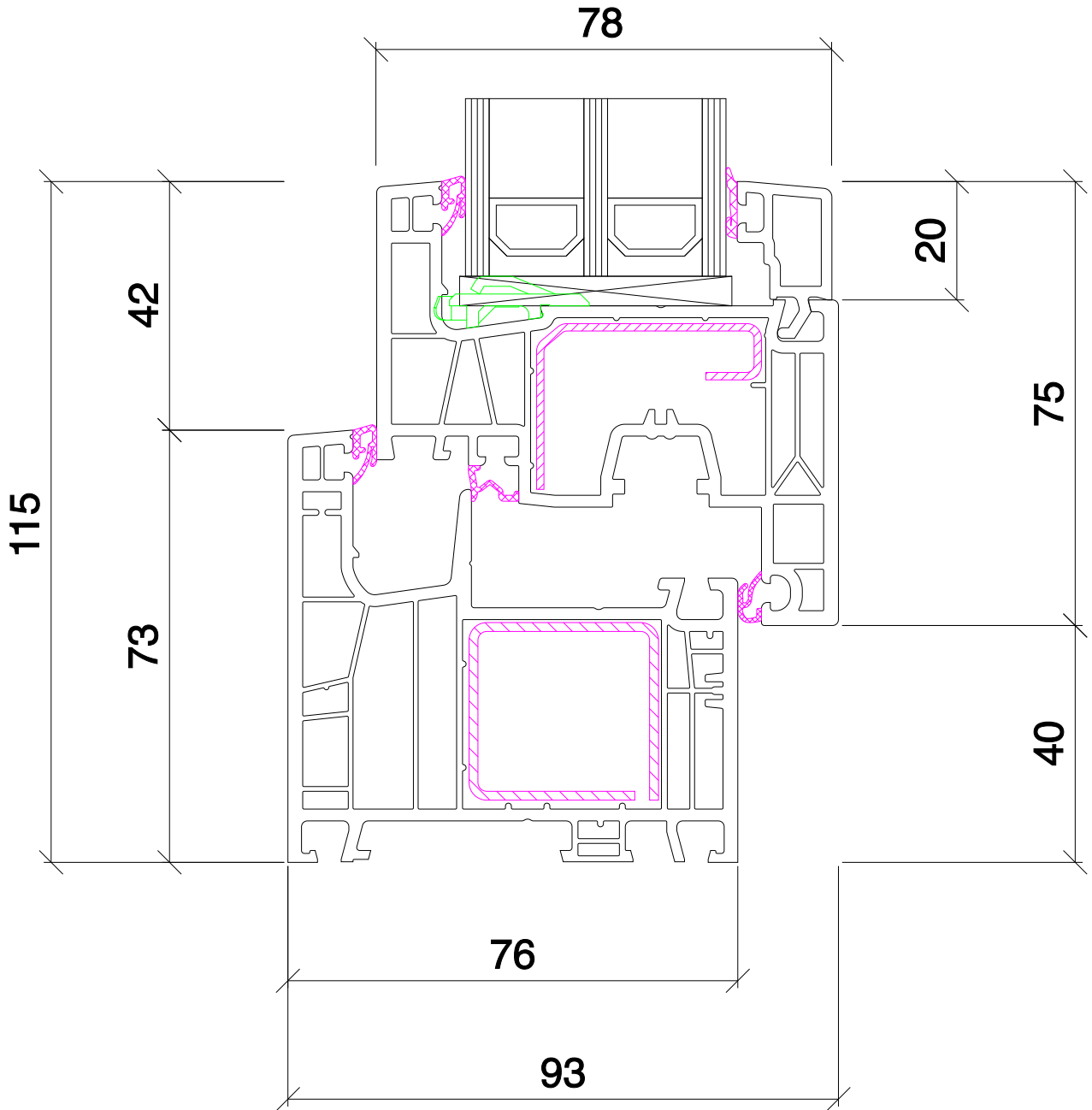
Sash 140x20 Sash 77 mm

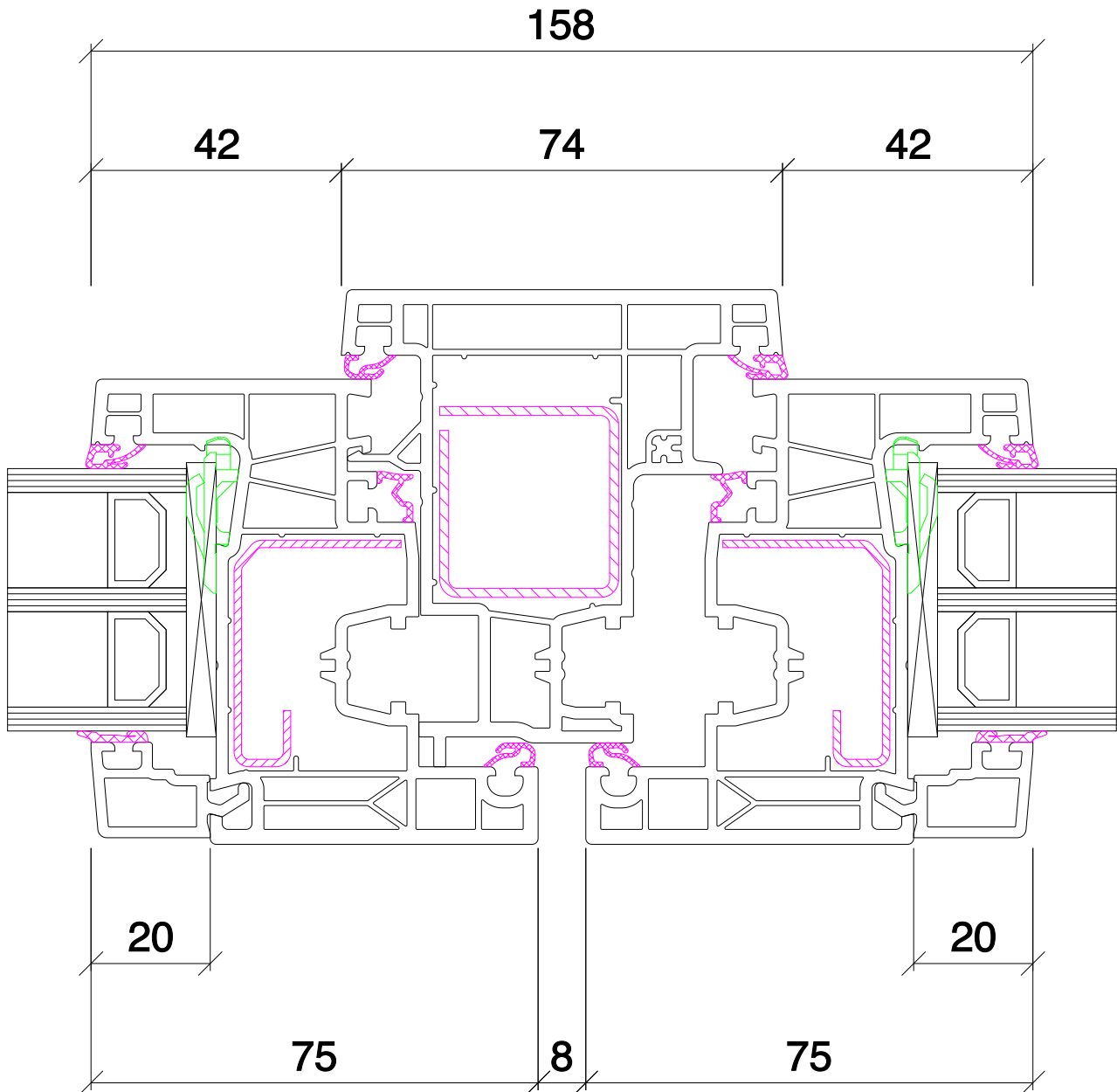


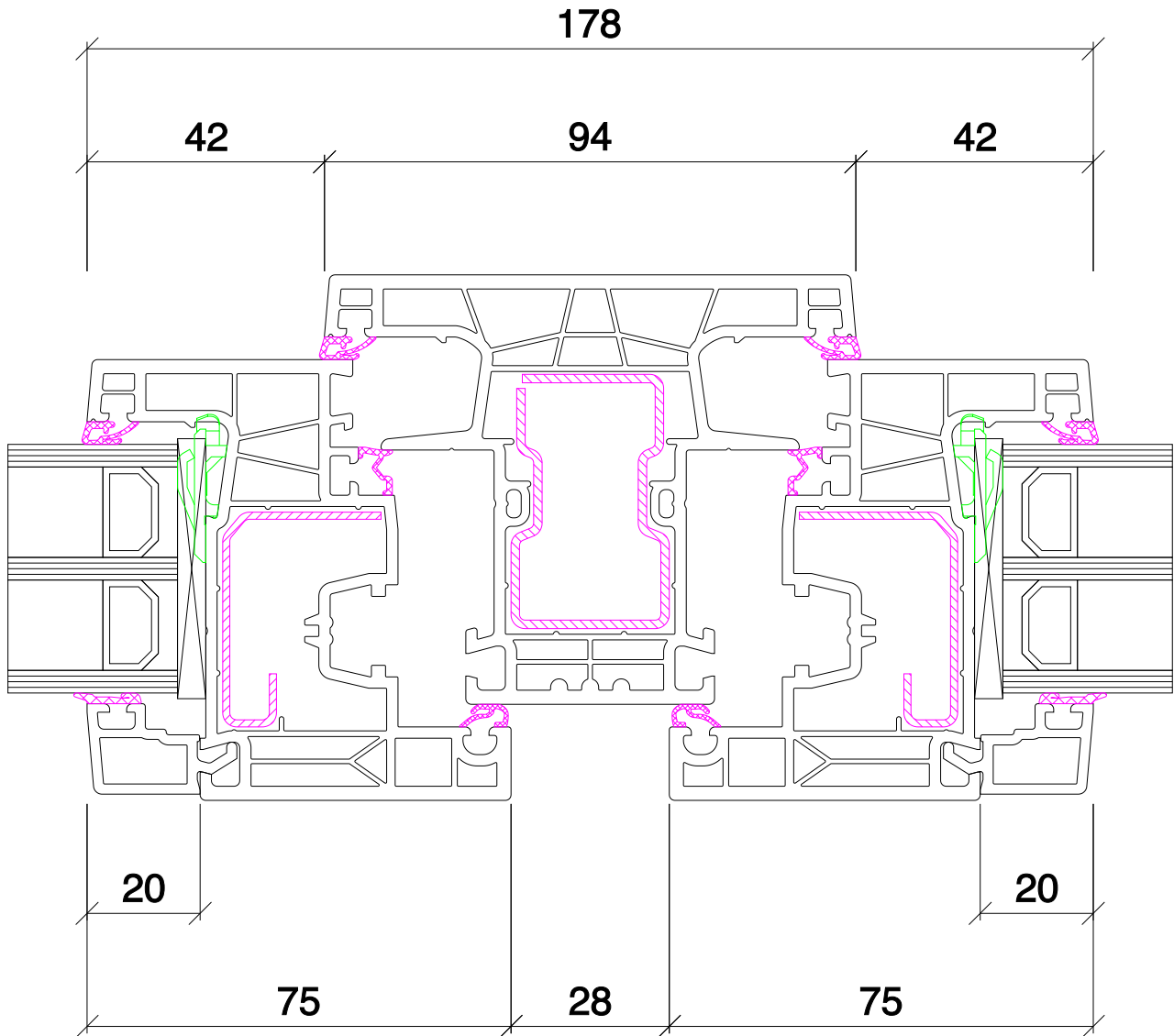
IDEAL

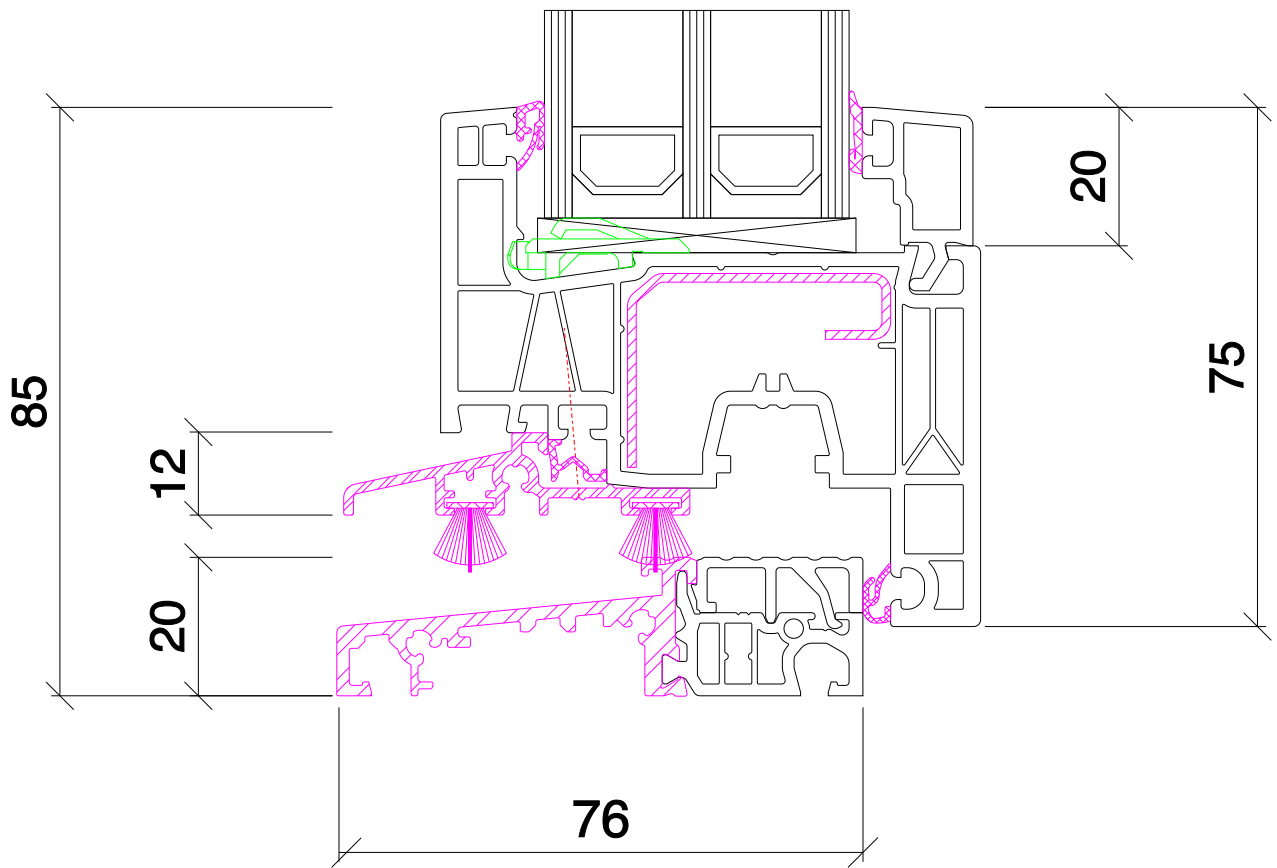
NEO MD

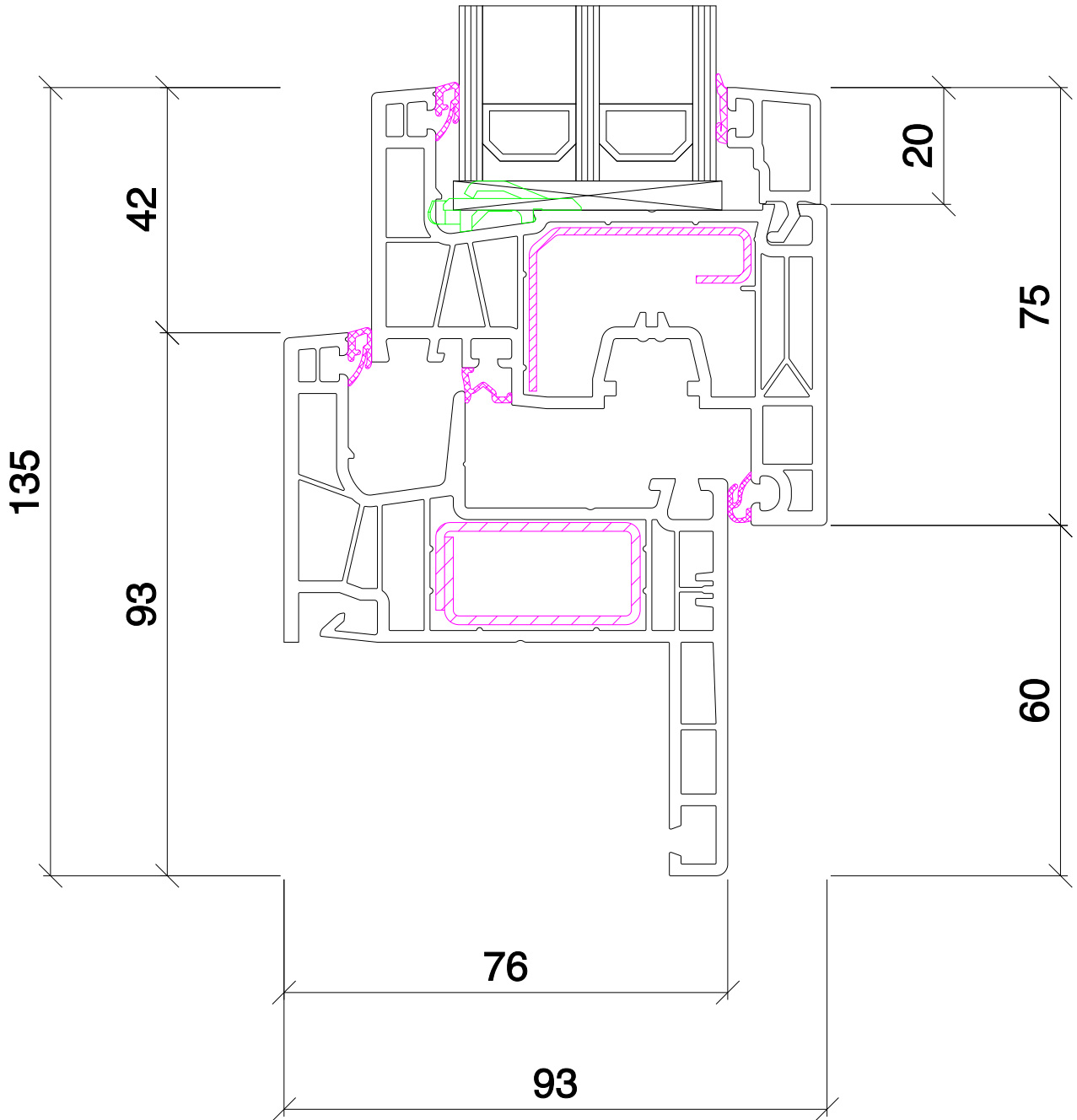


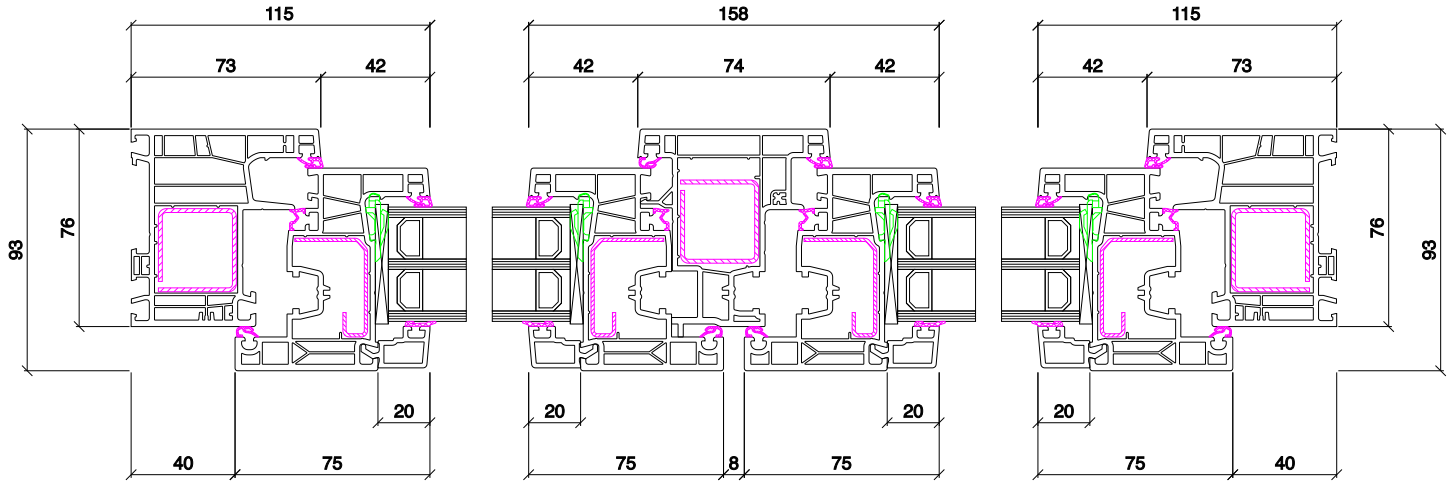






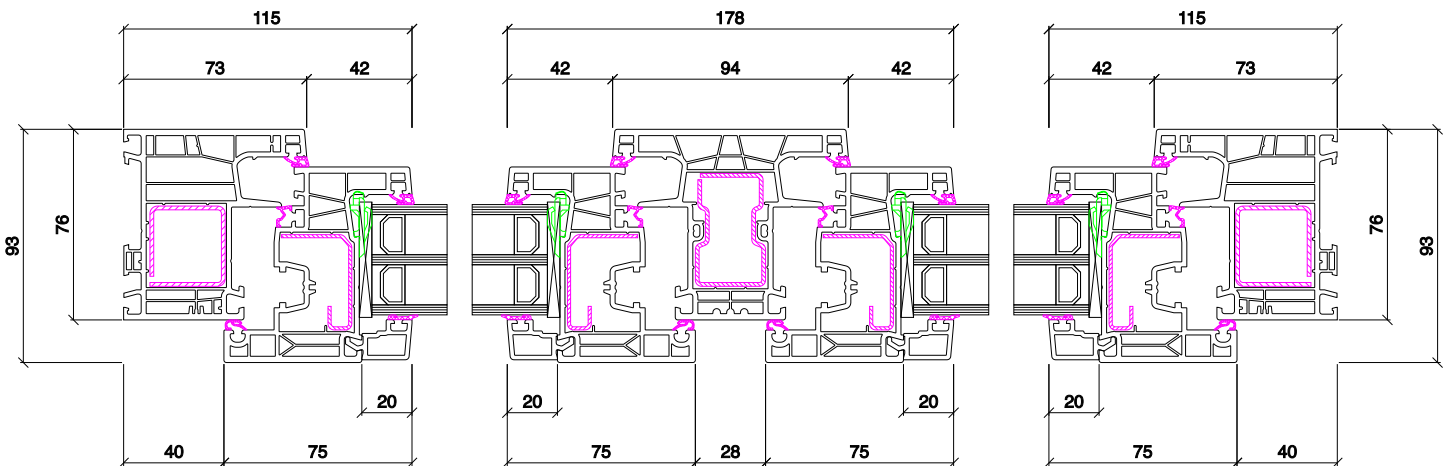


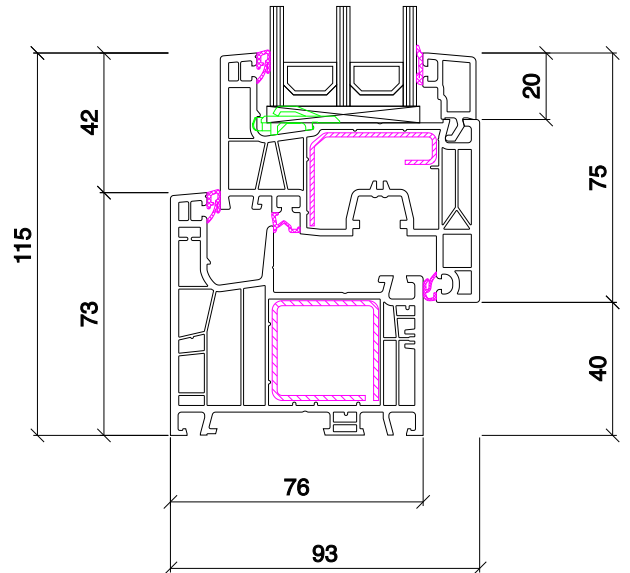
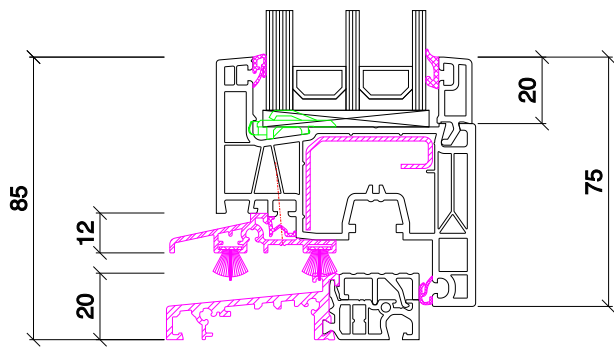
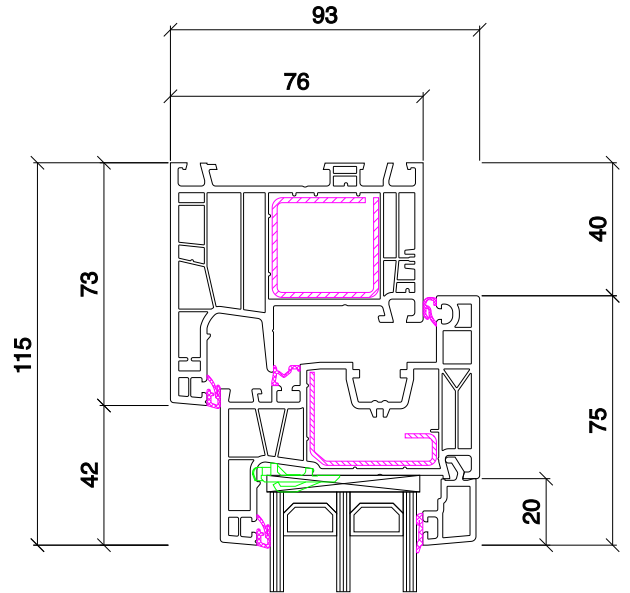
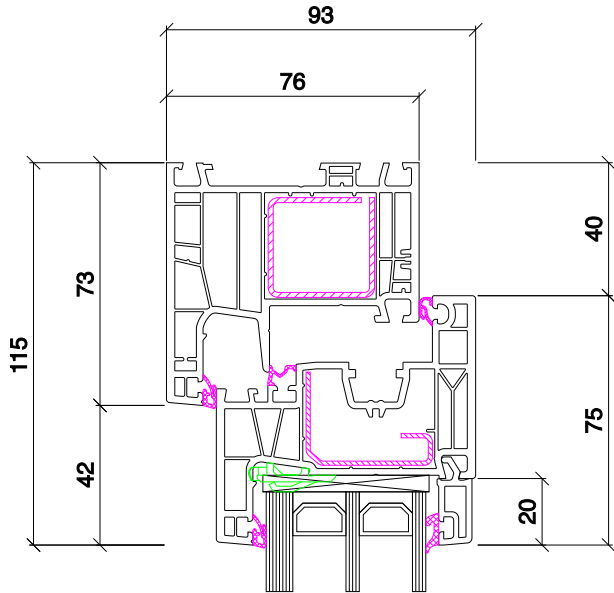




Blendrahmen 160x05 Blendrahmen 73 mm
Stulp 160x66 Stulp 74 mm

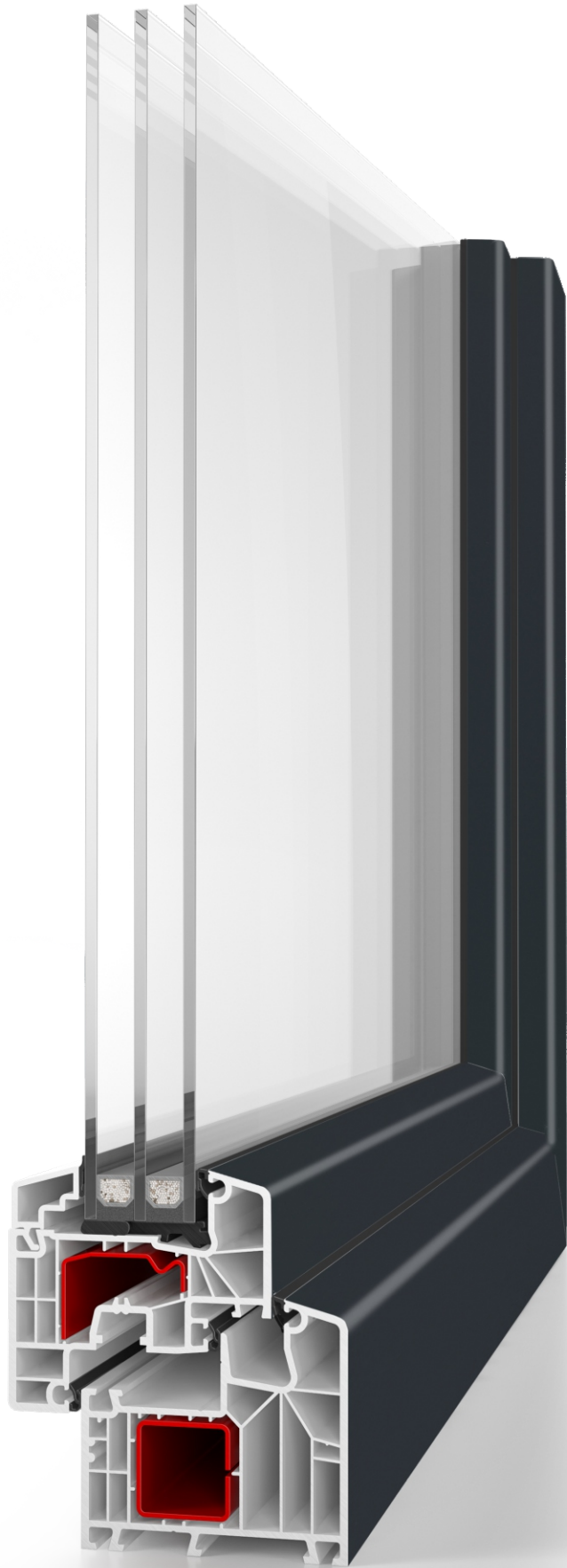
Sash 160x20 Sash 75 mm

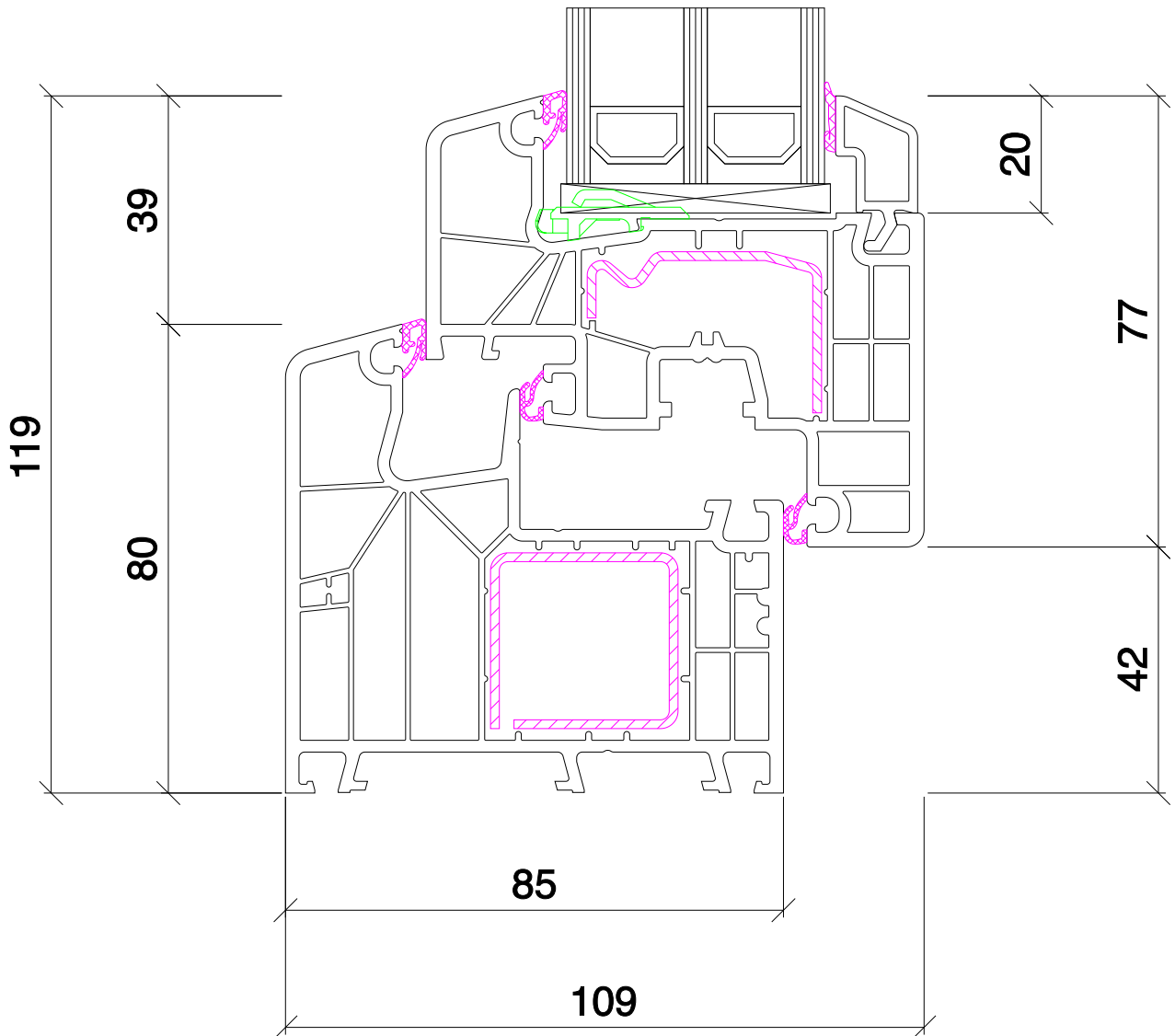


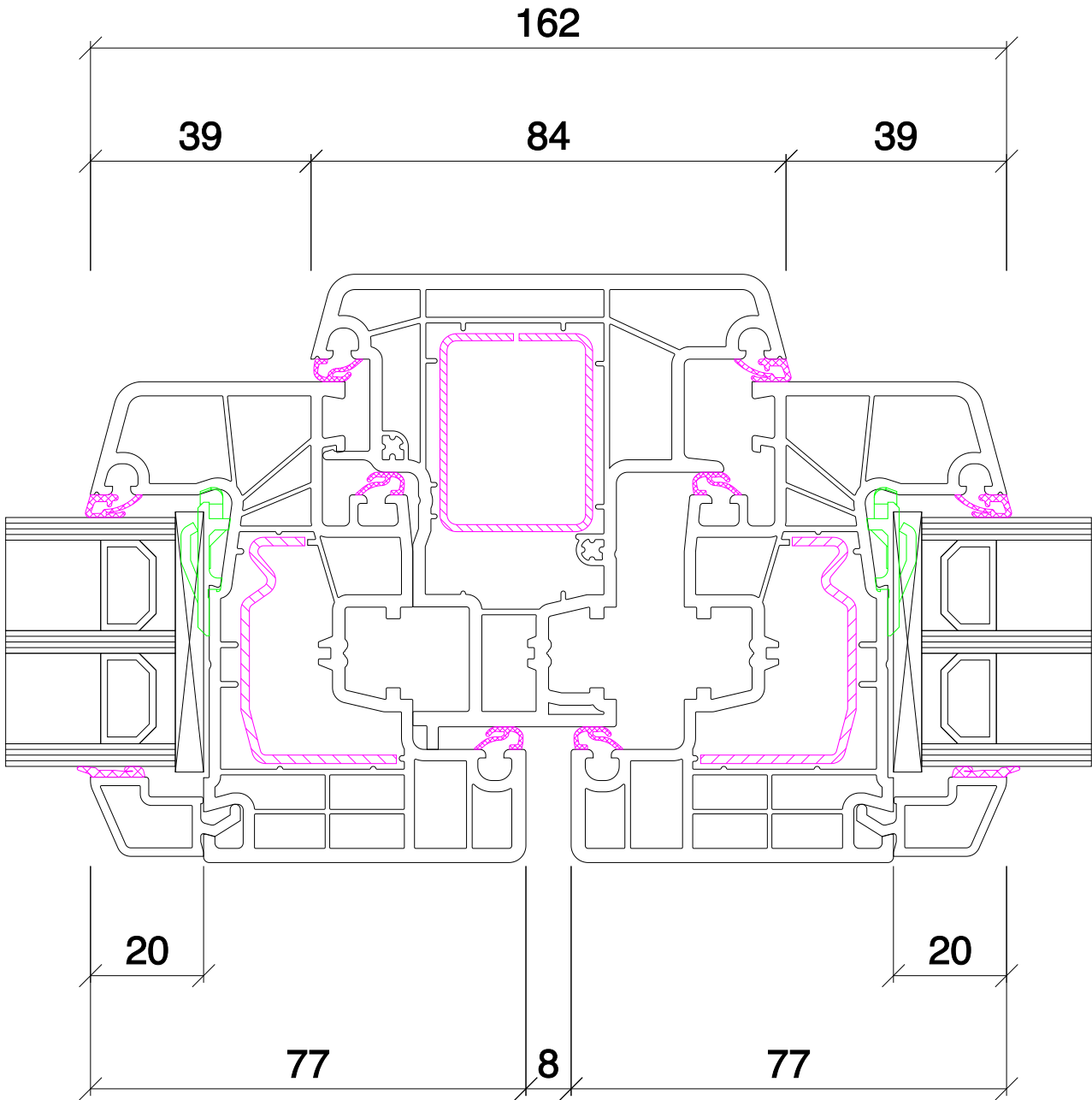


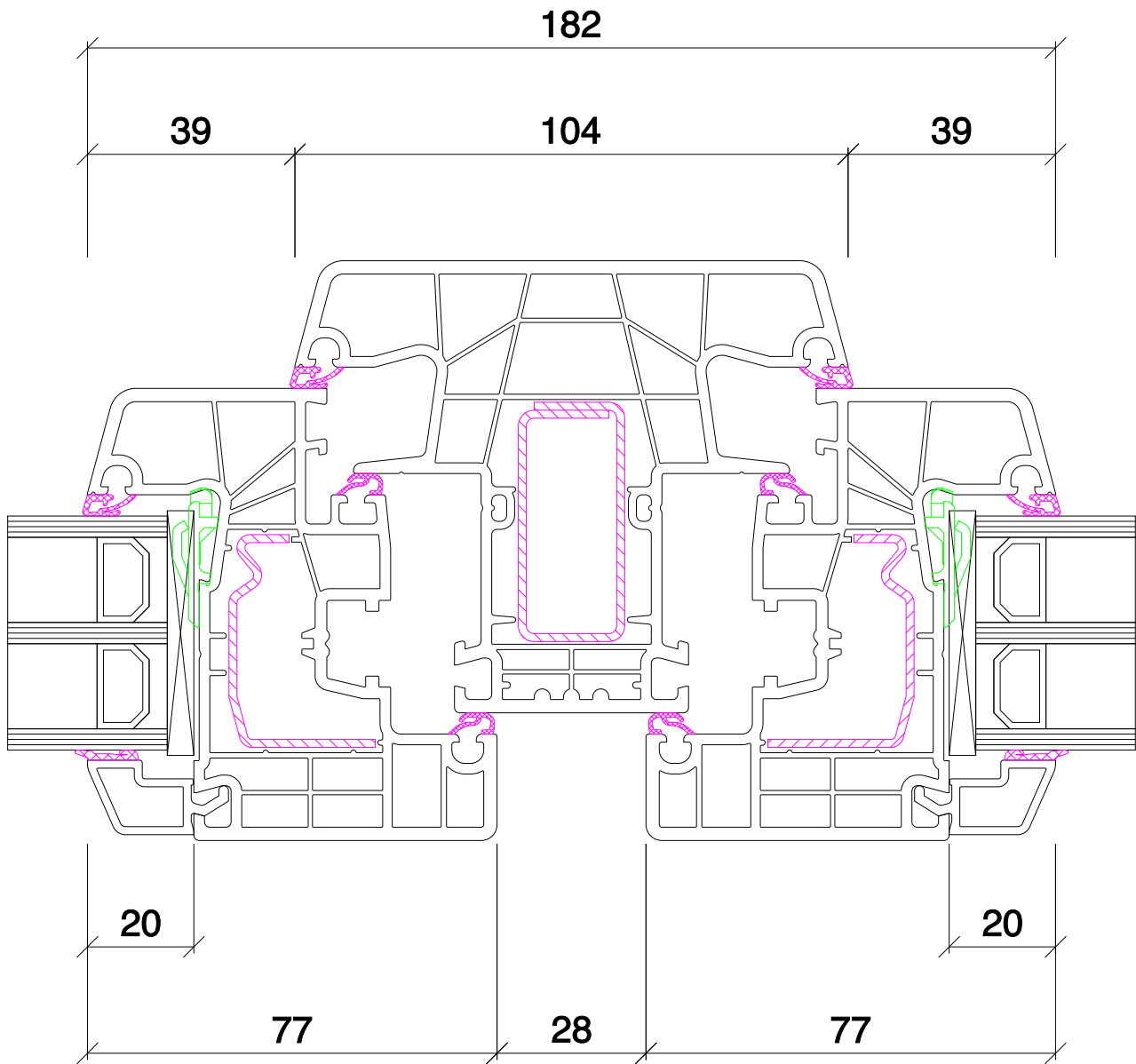
IDEAL

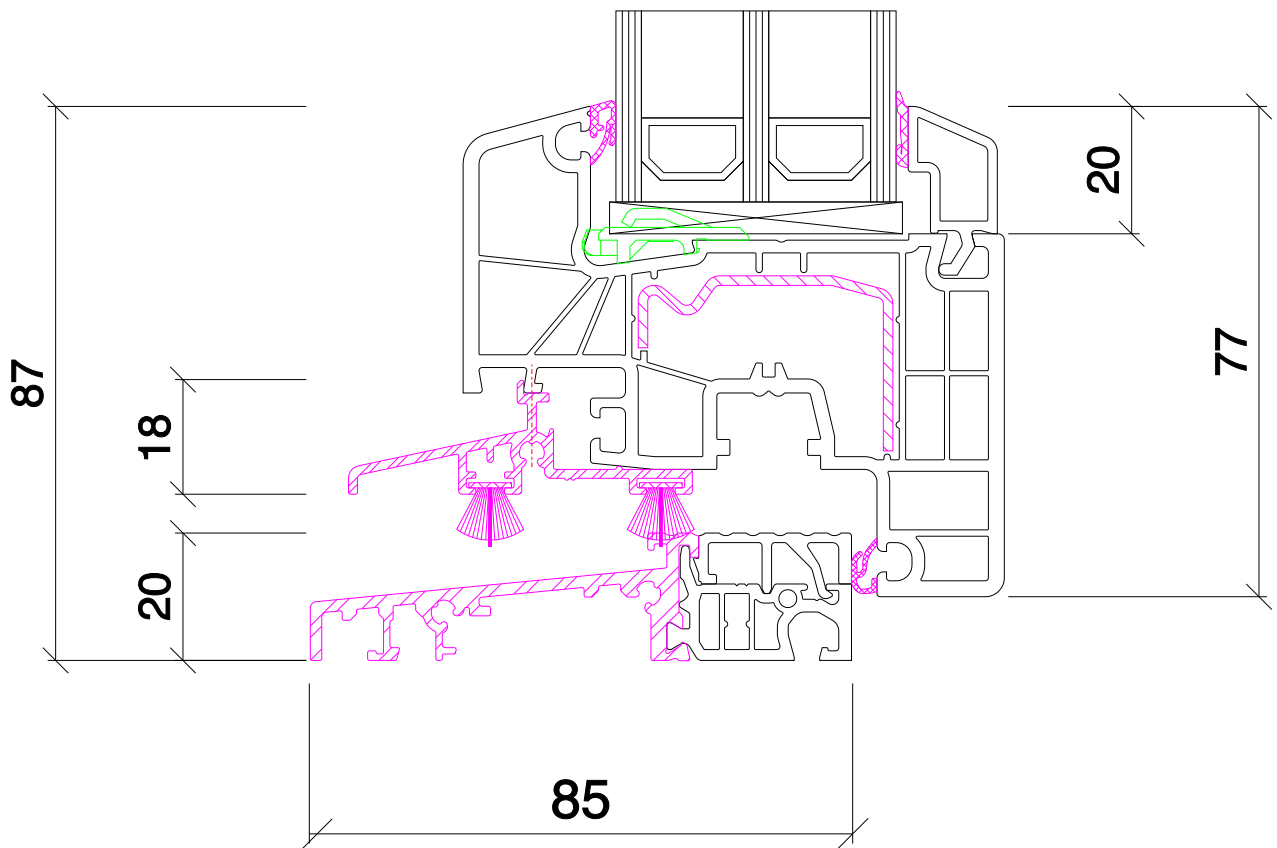
8000

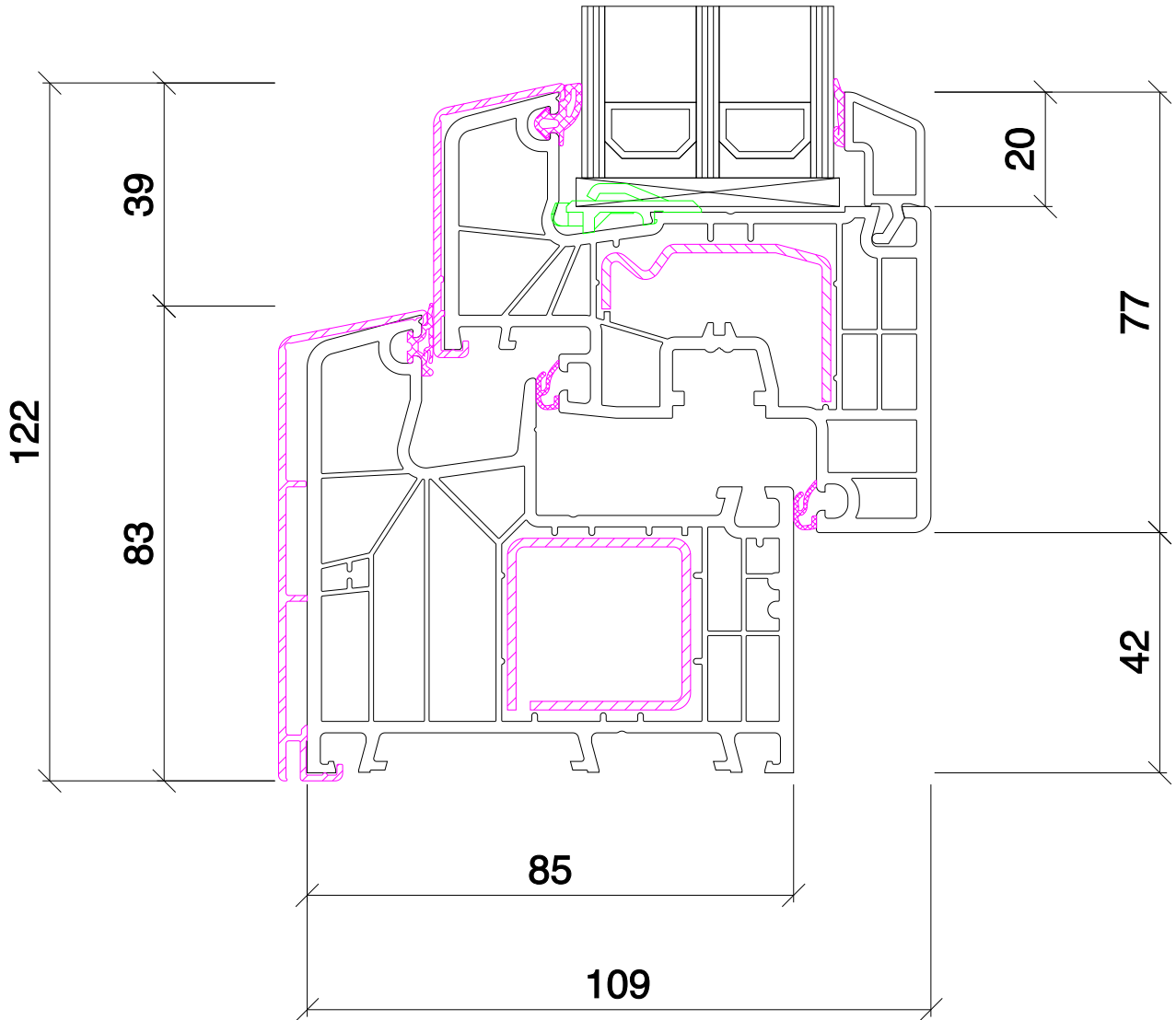


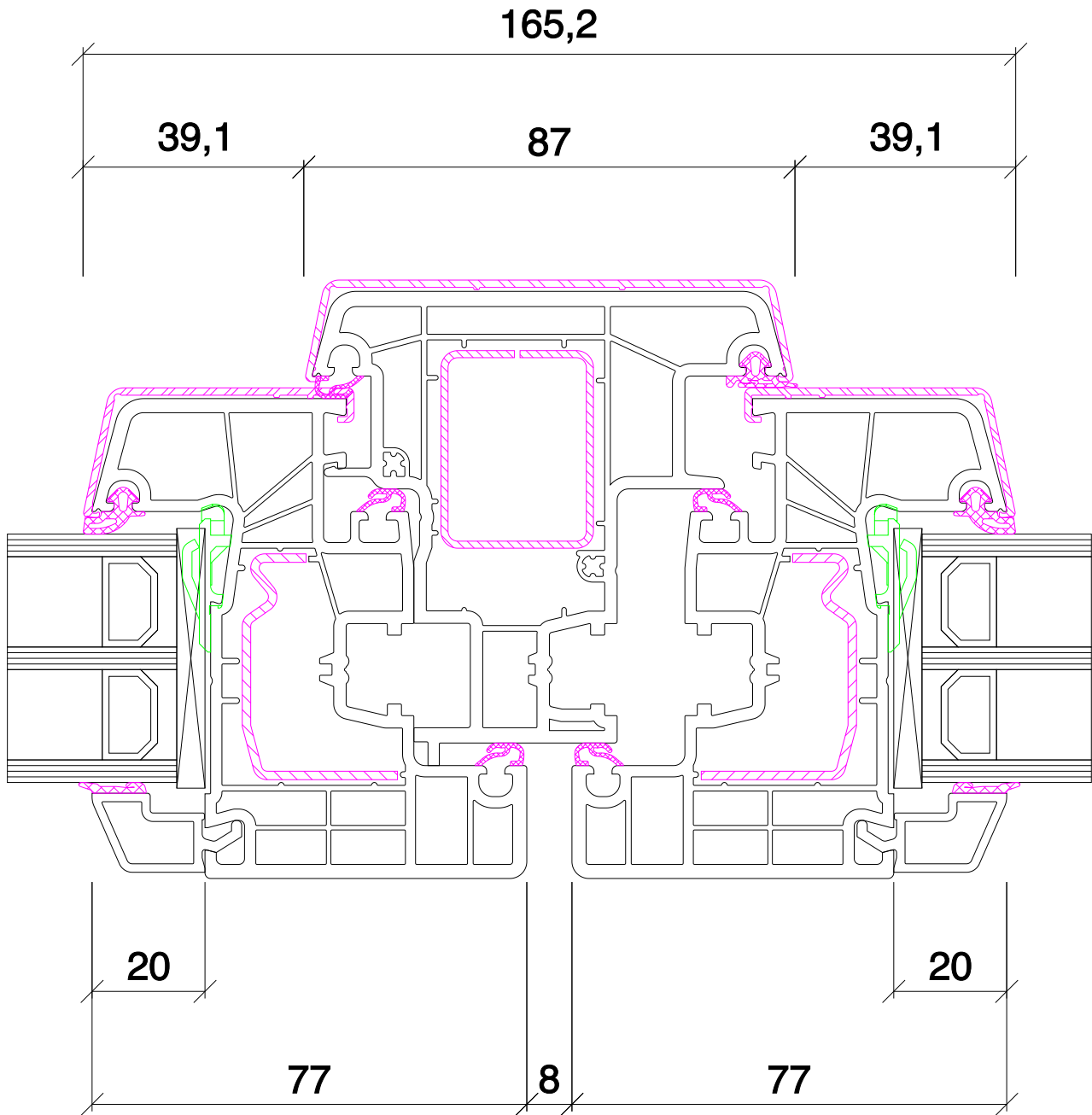


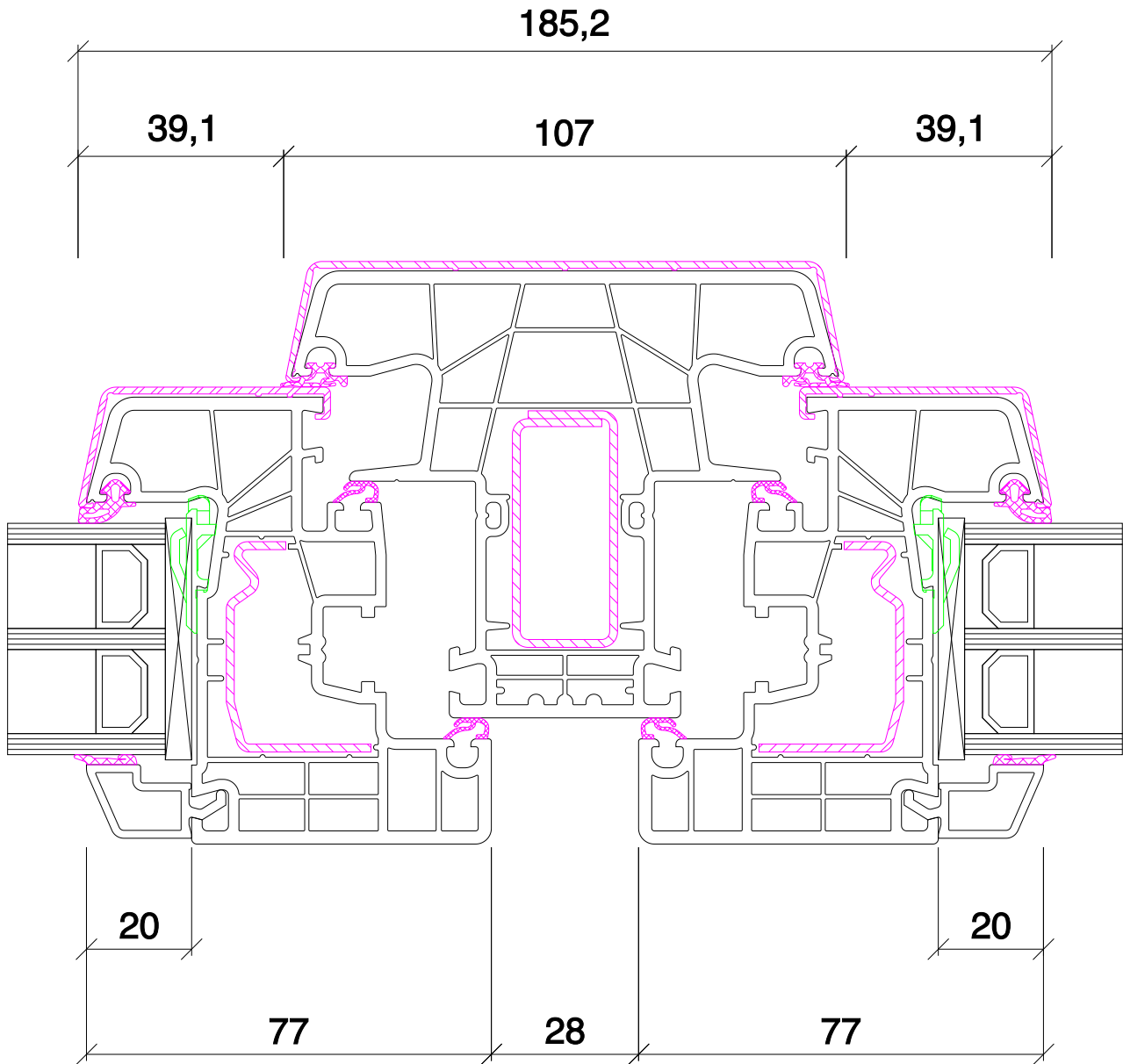




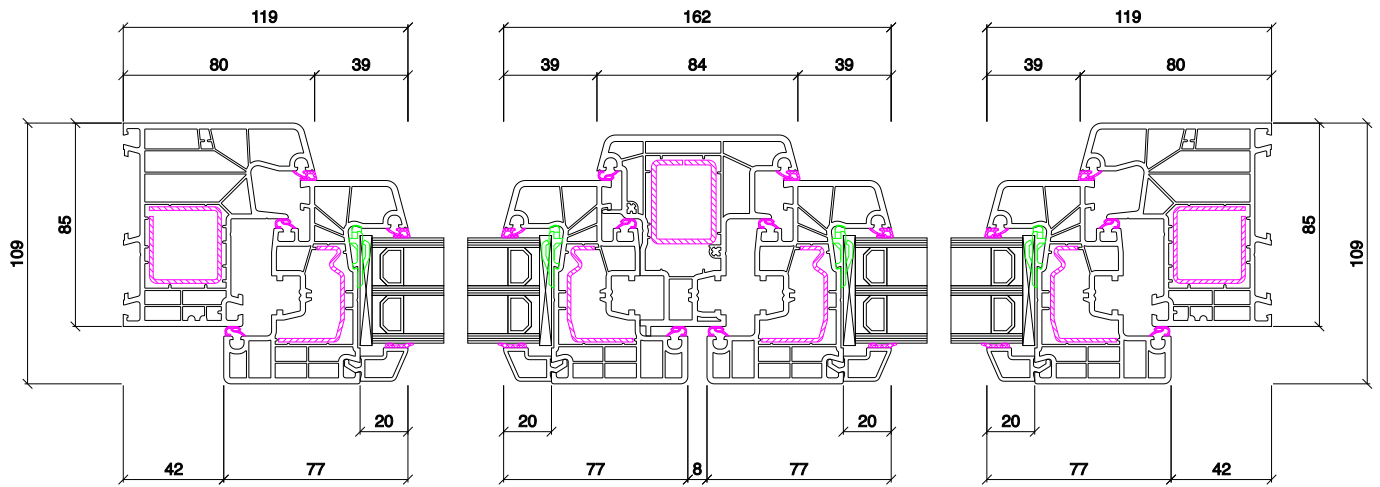






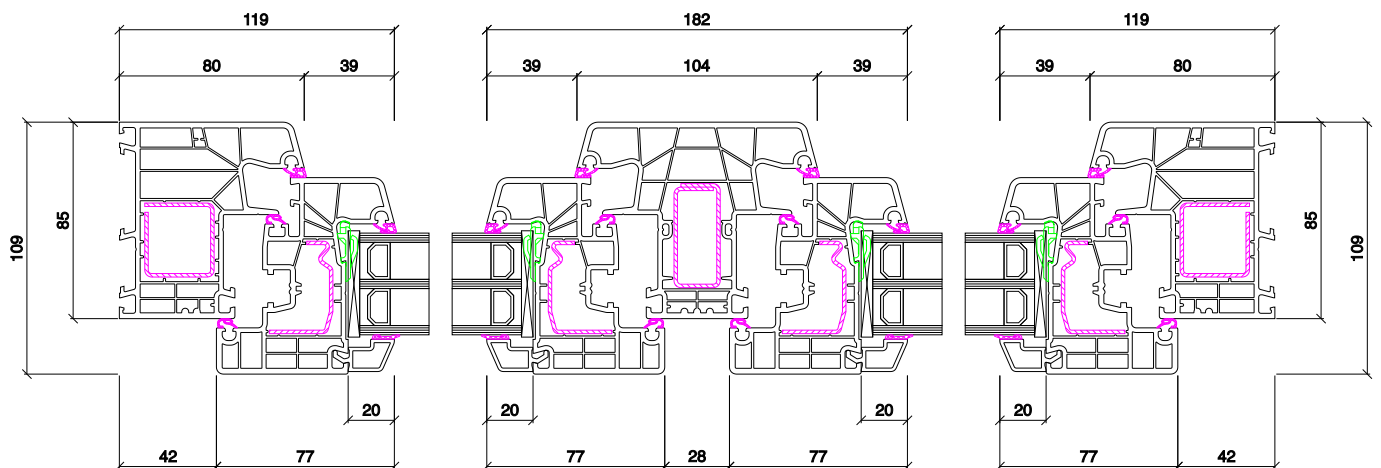


IDEAL 8000® / energeto® 8000

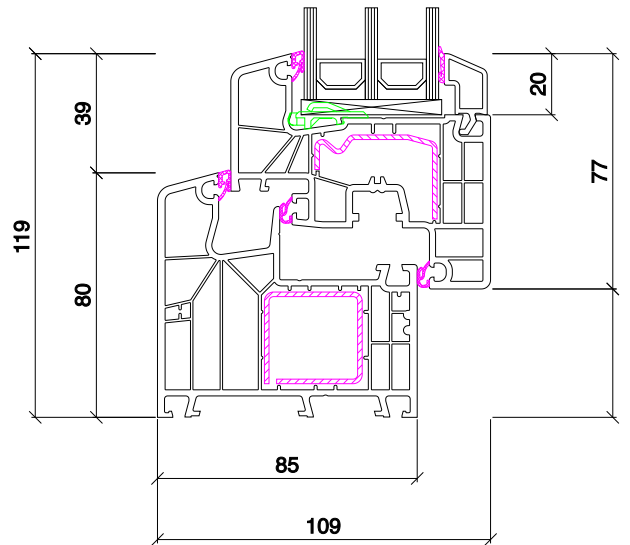
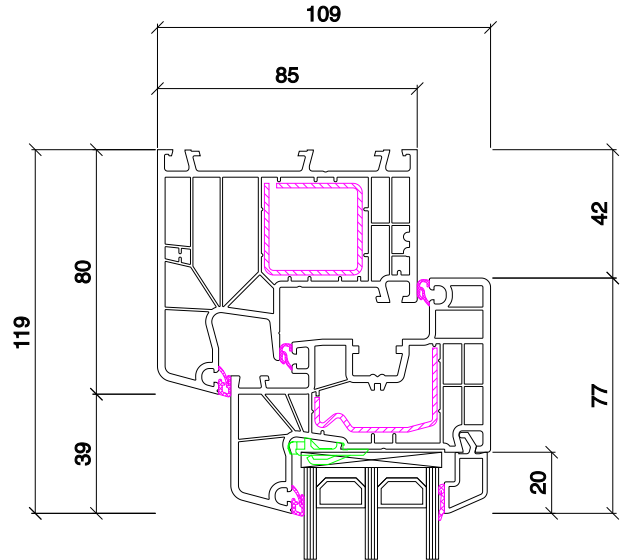
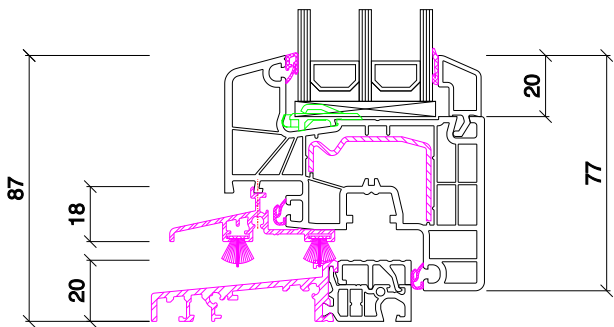
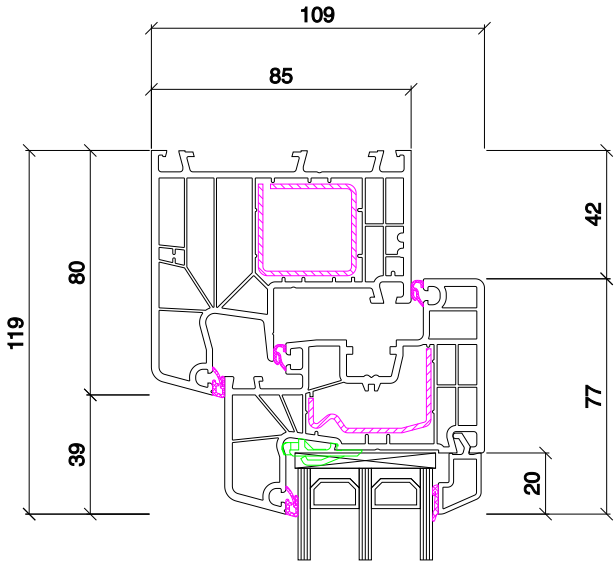


Blendrahmen 180x05 Blendrahmen 80 mm
Stulp 180x66 Stulp 84 mm

Sash 180x20 Sash 77 mm



IDEAL 8000® / energeto® 8000

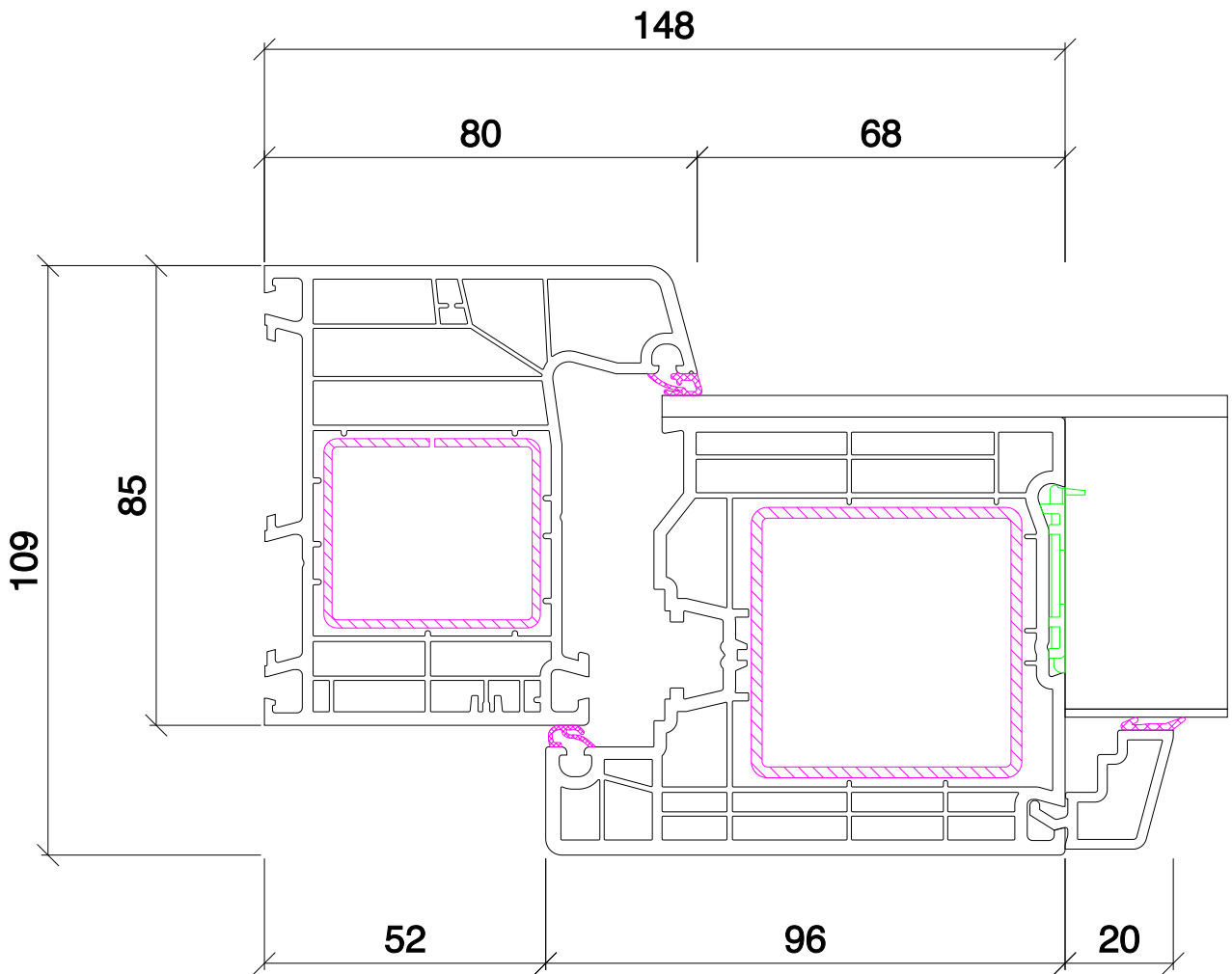


ENTRY

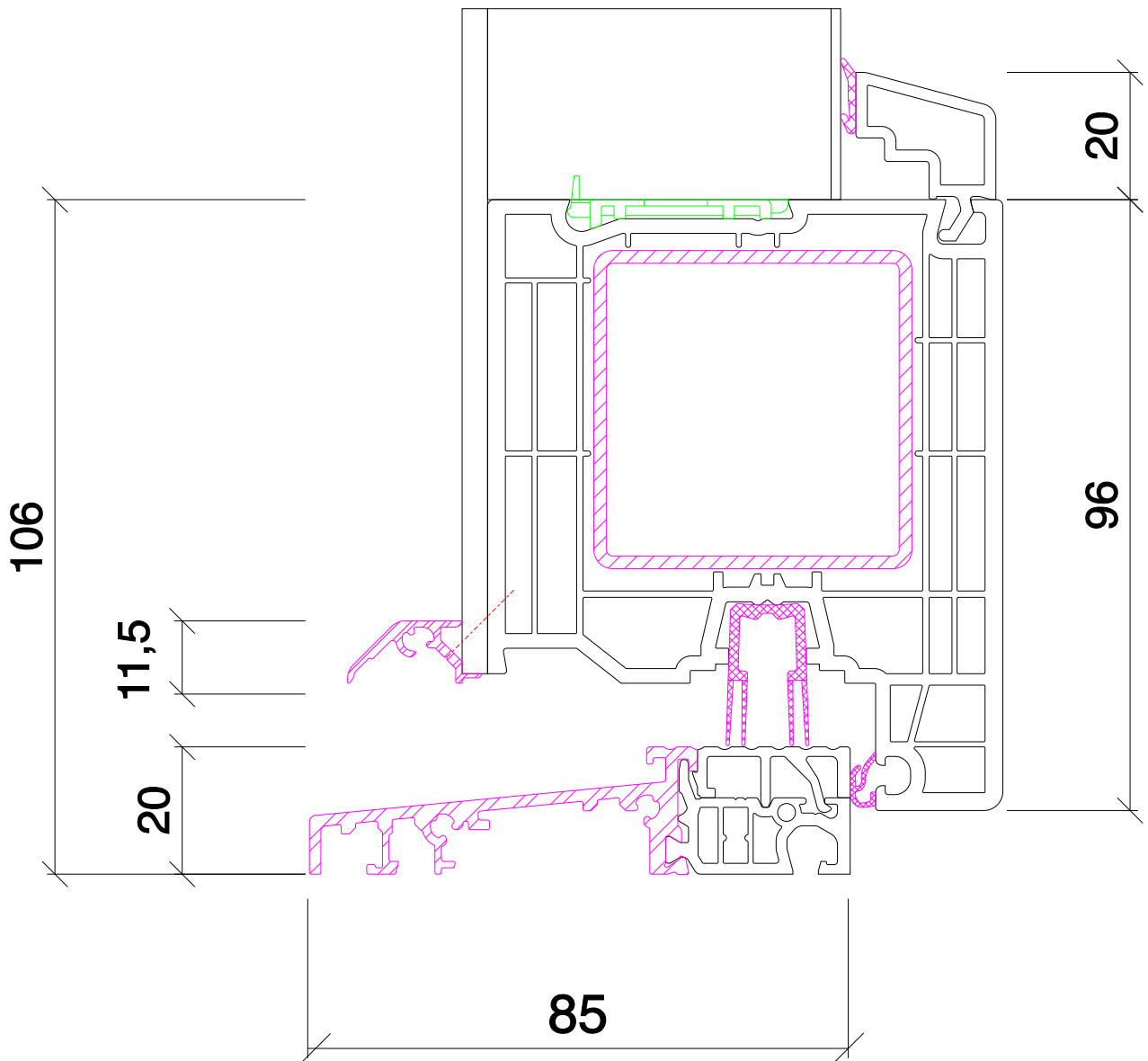
DOOR 85

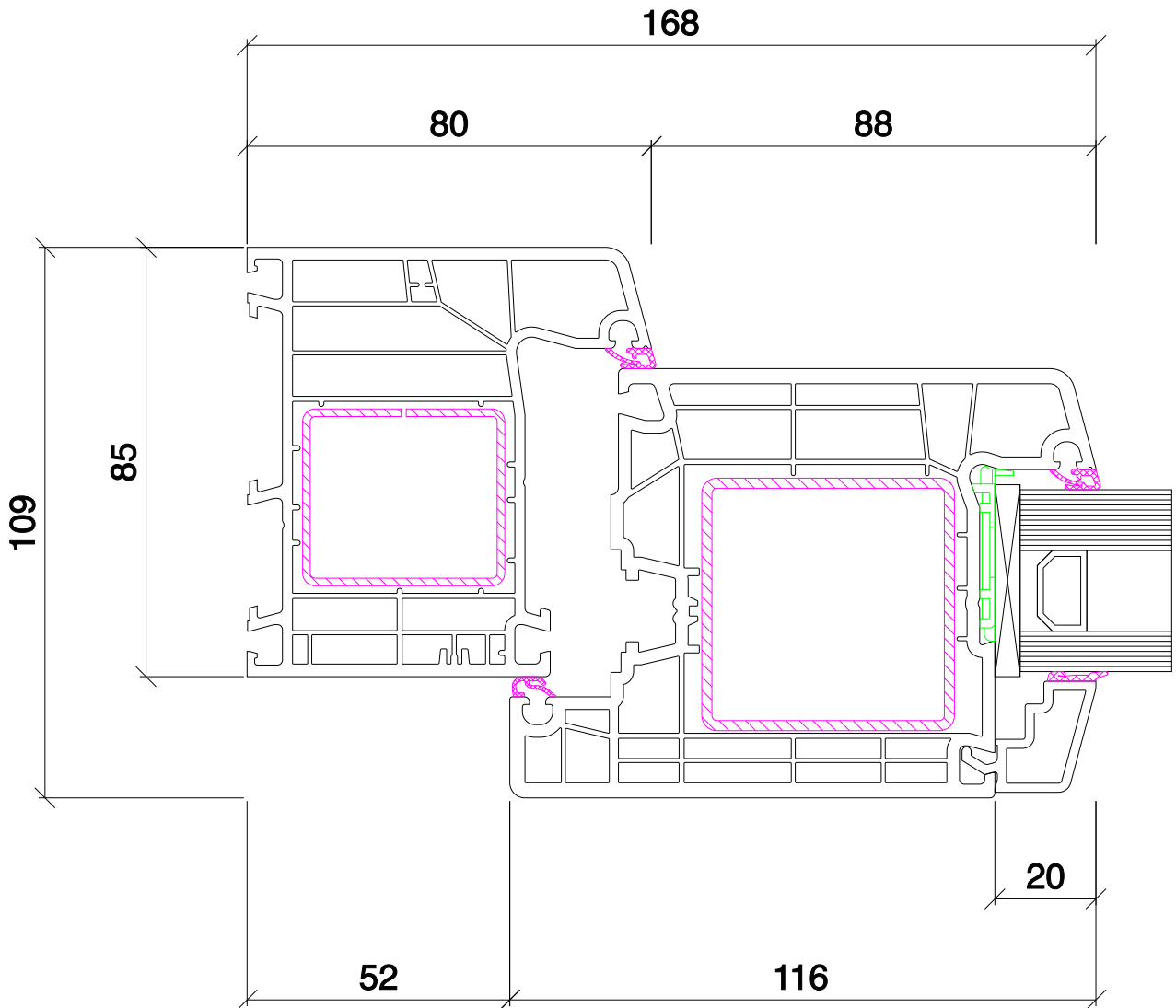


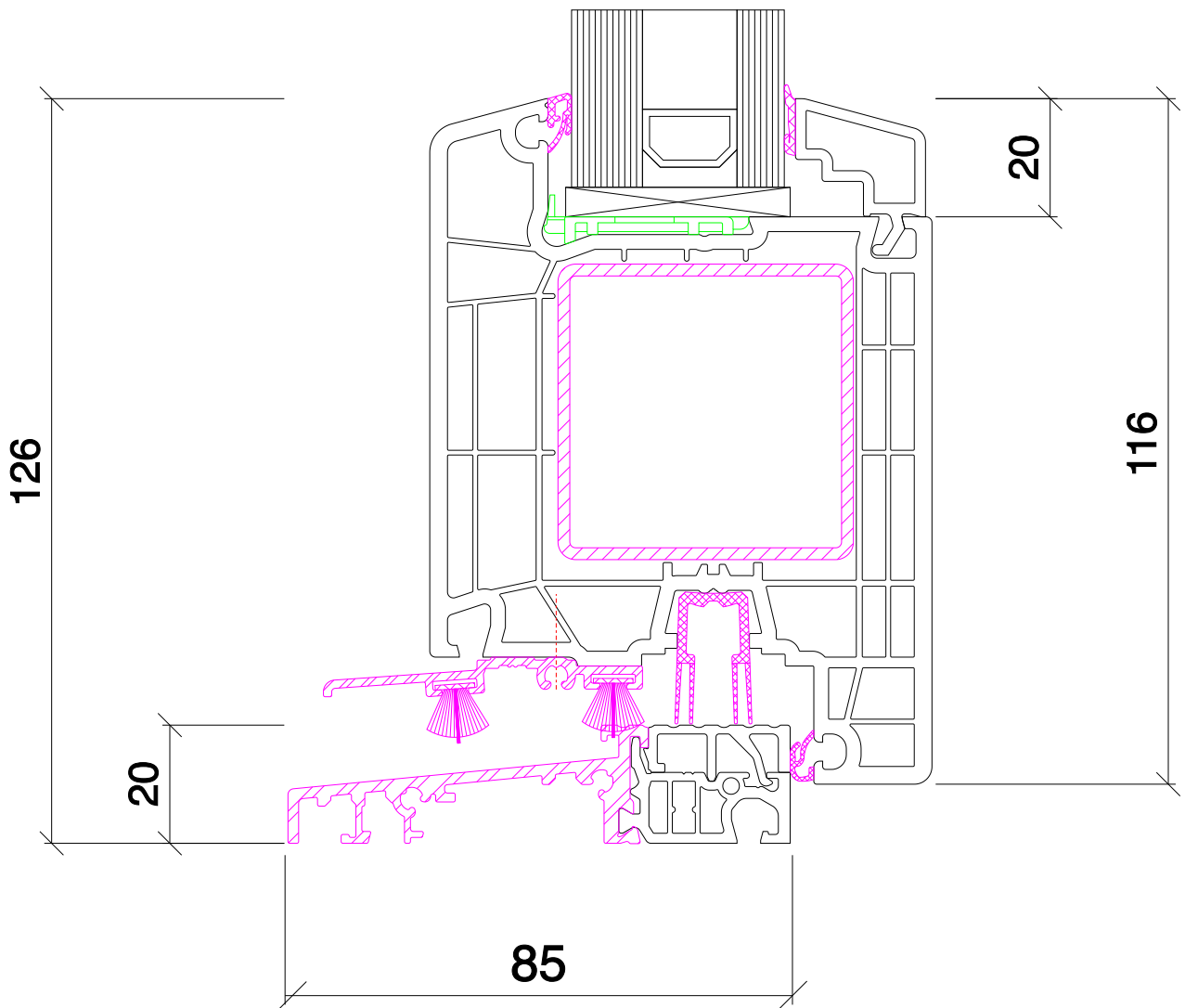
HIDE SASH

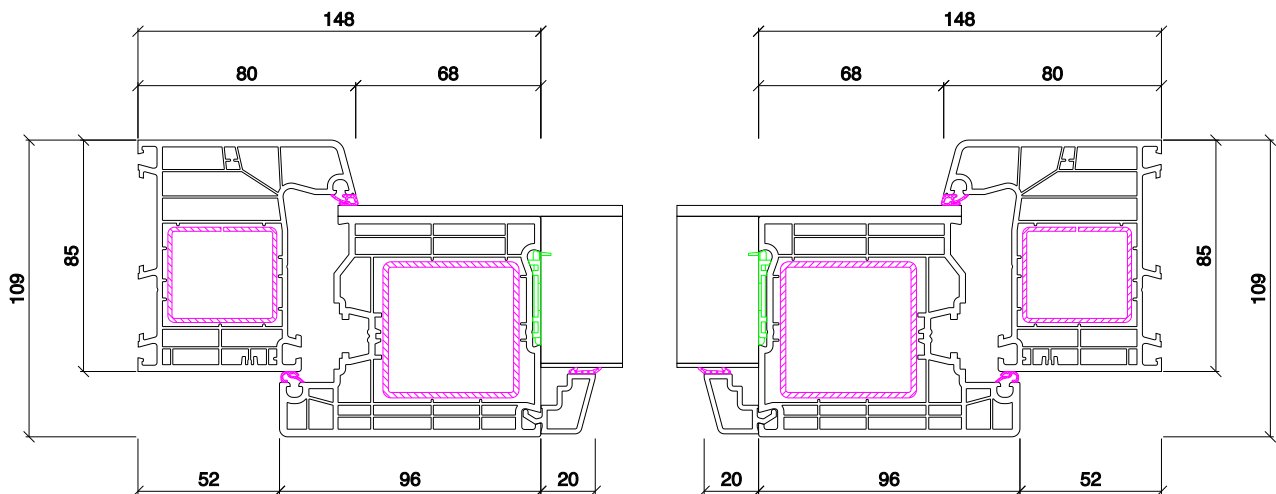
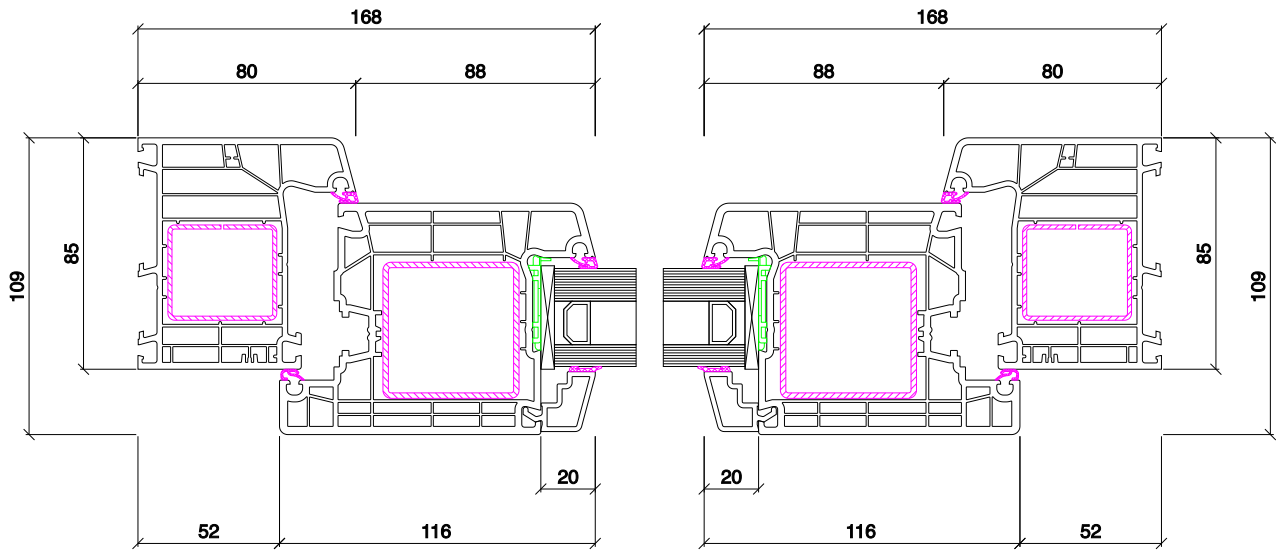


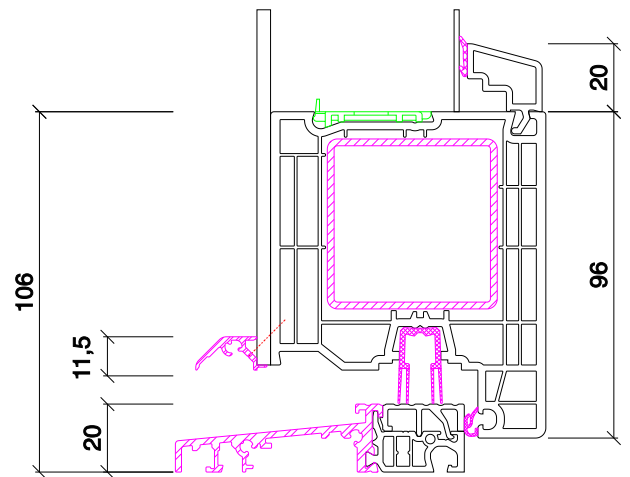
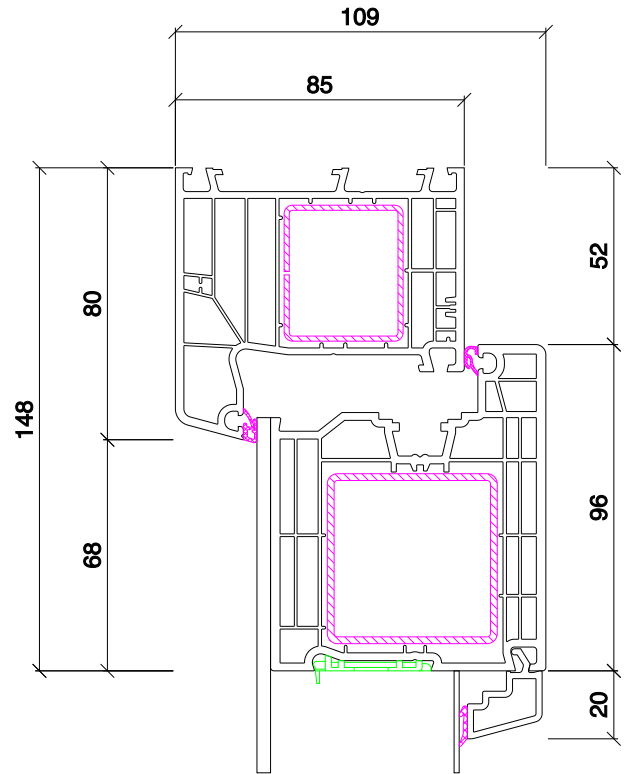
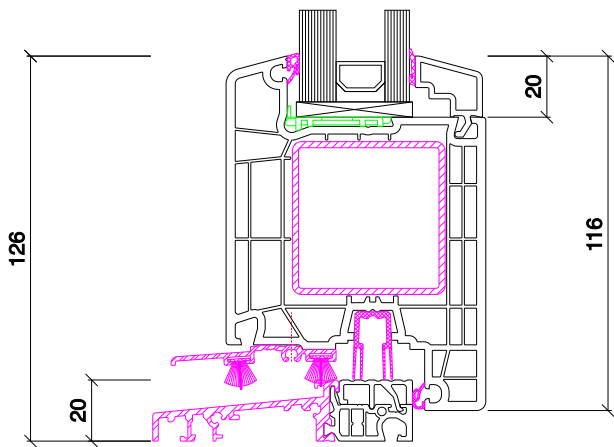
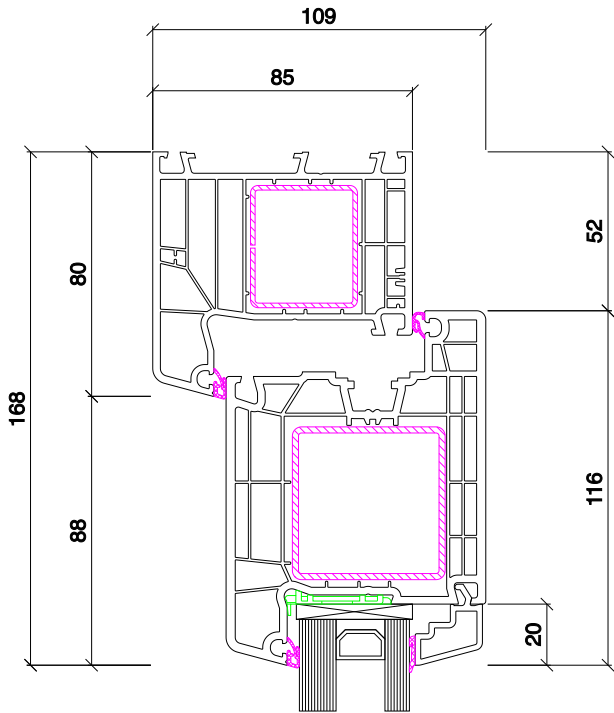
HIDE SASH





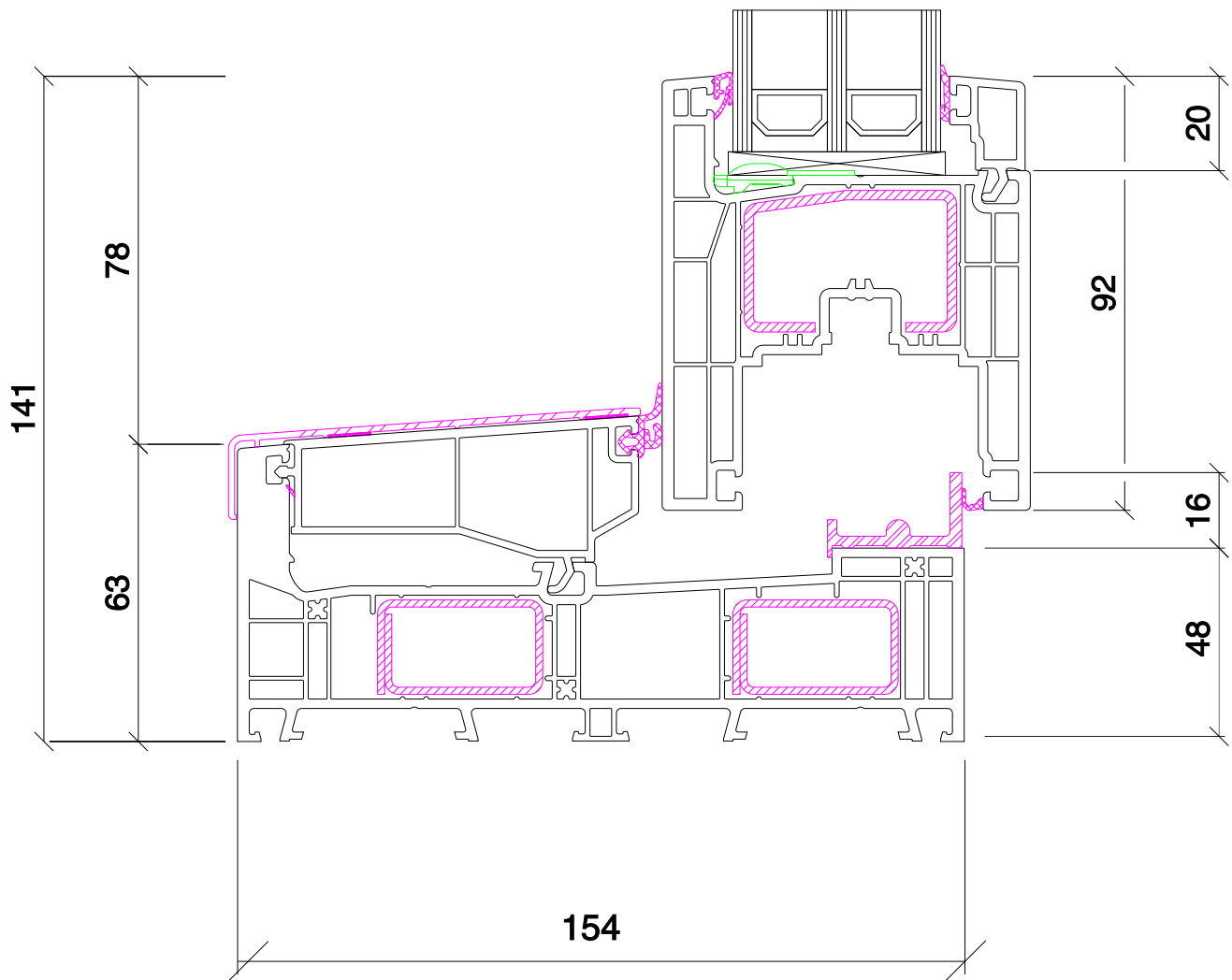


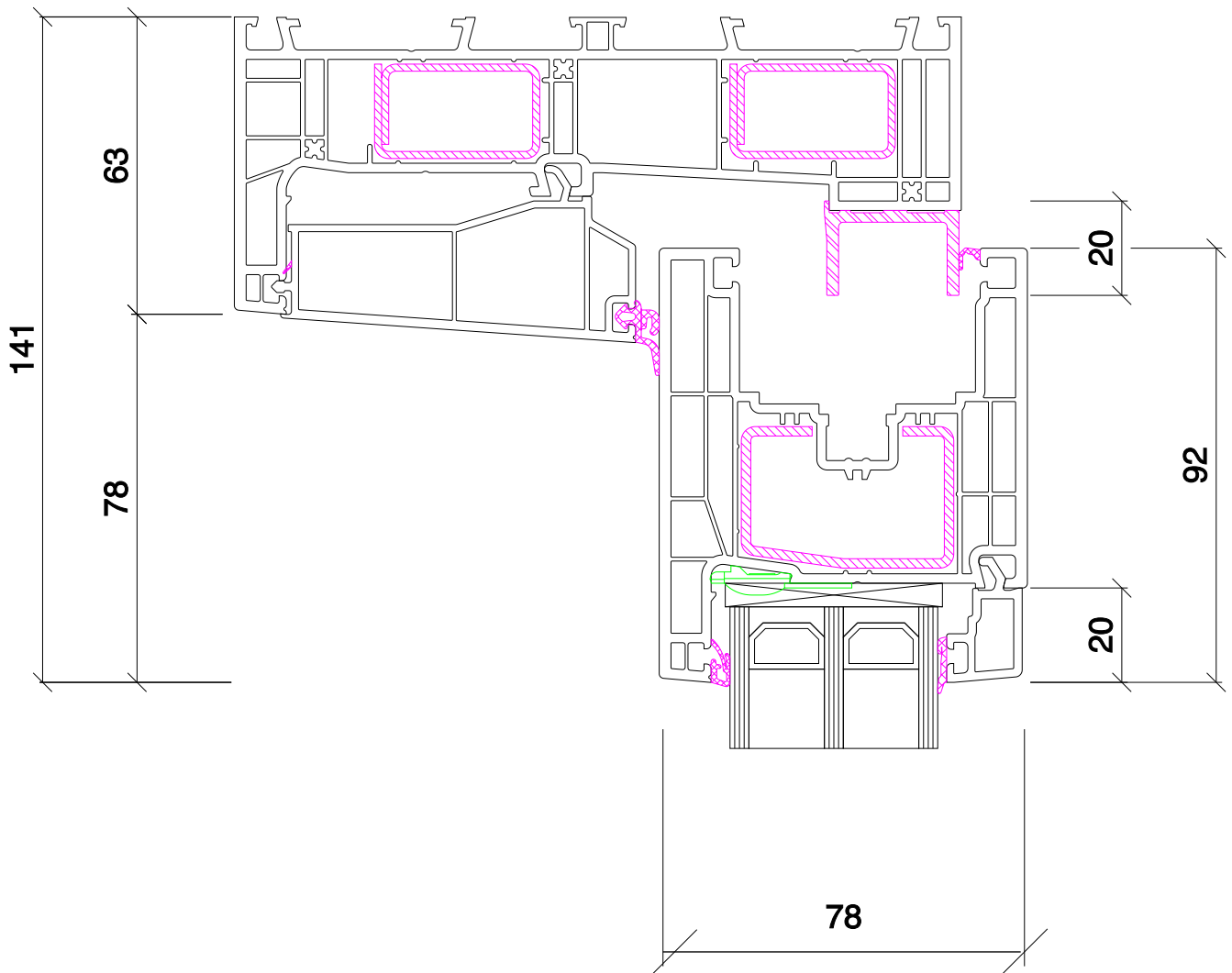


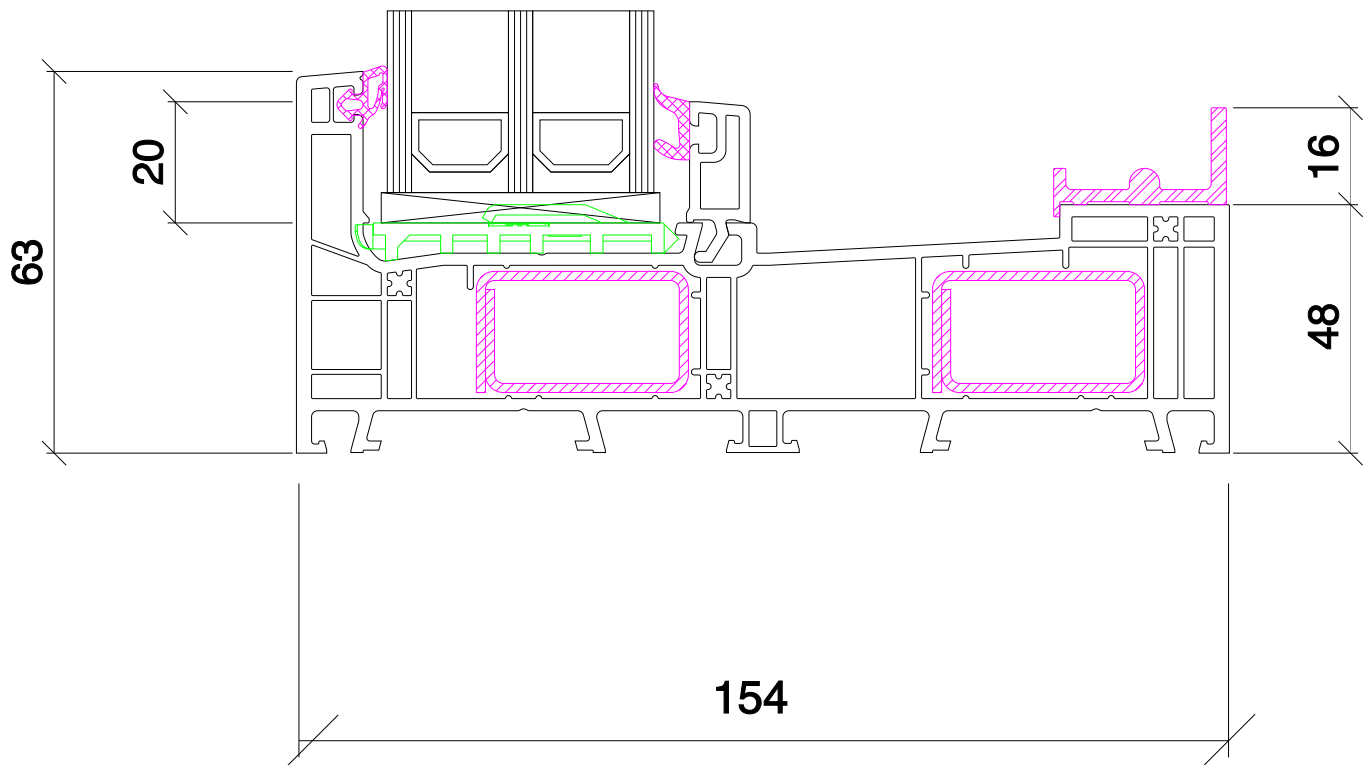


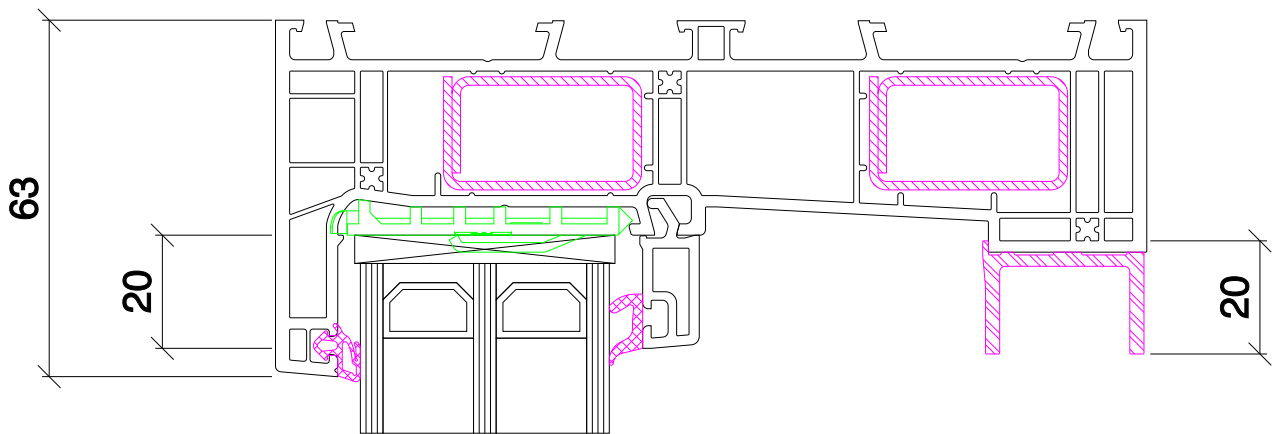
SMART SLIDE NEO

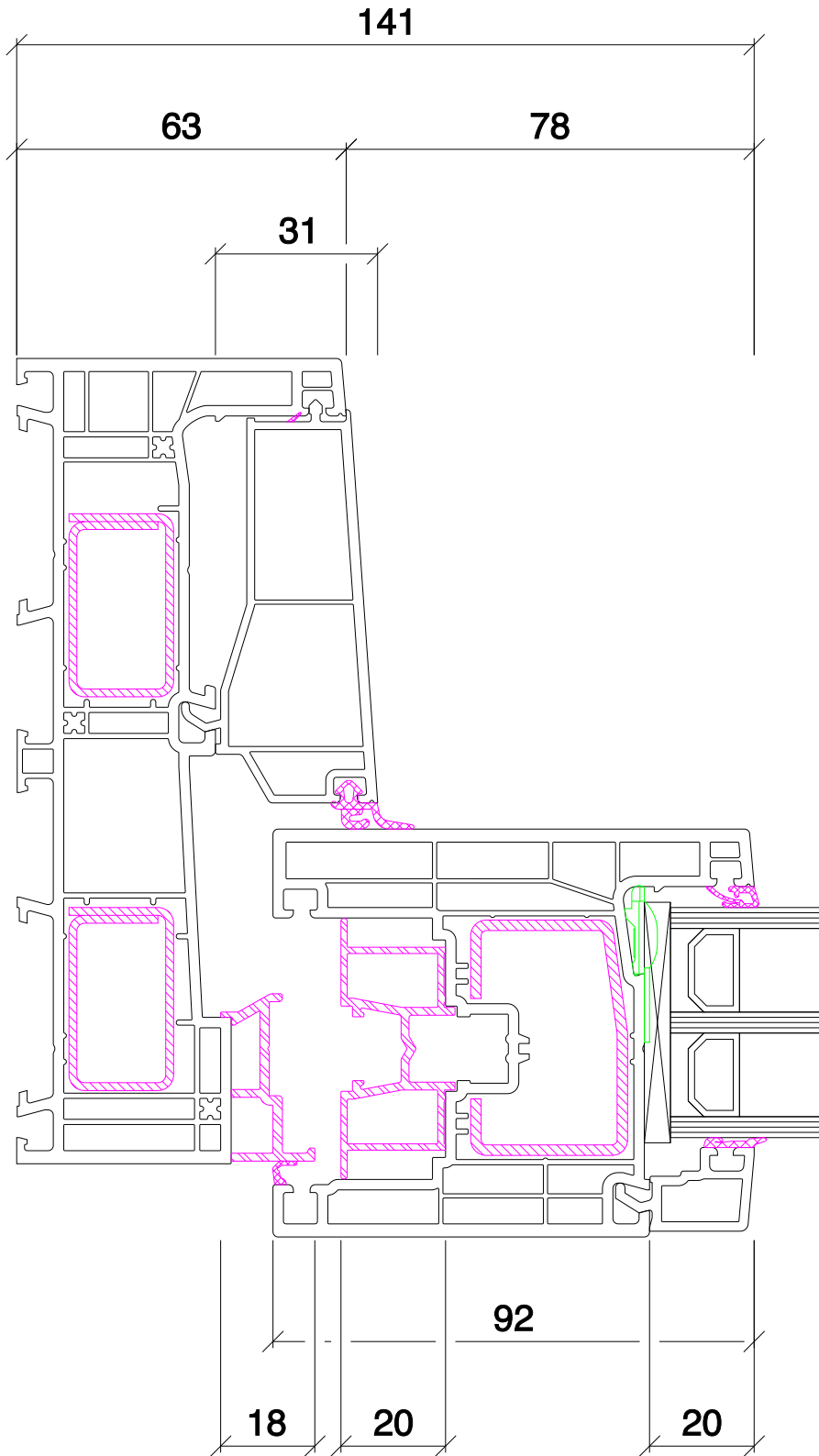


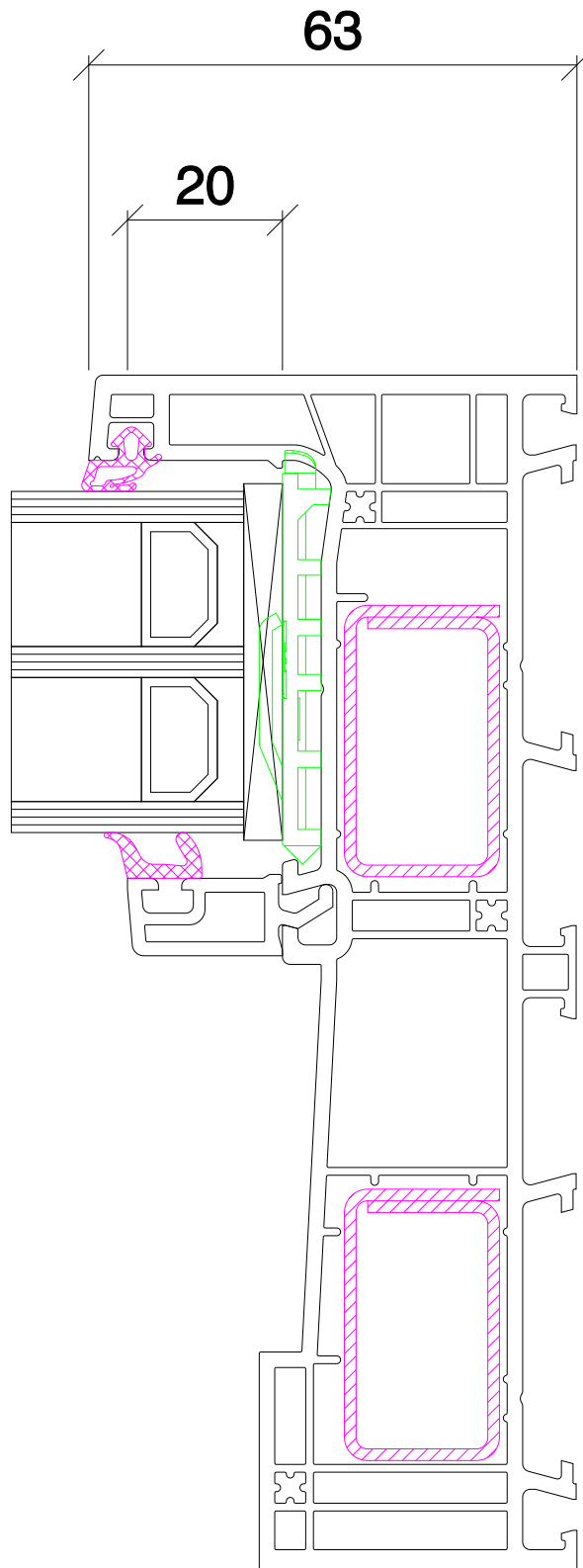


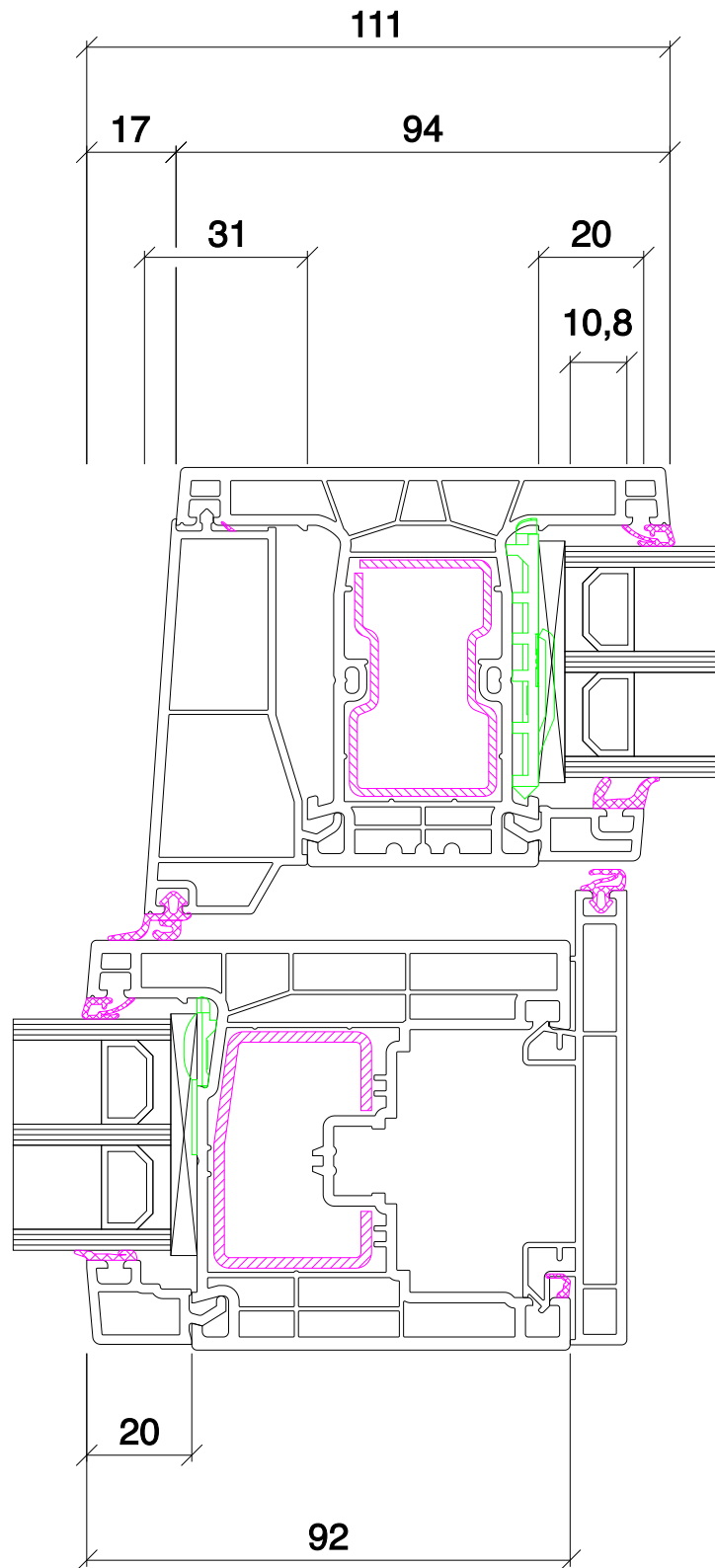


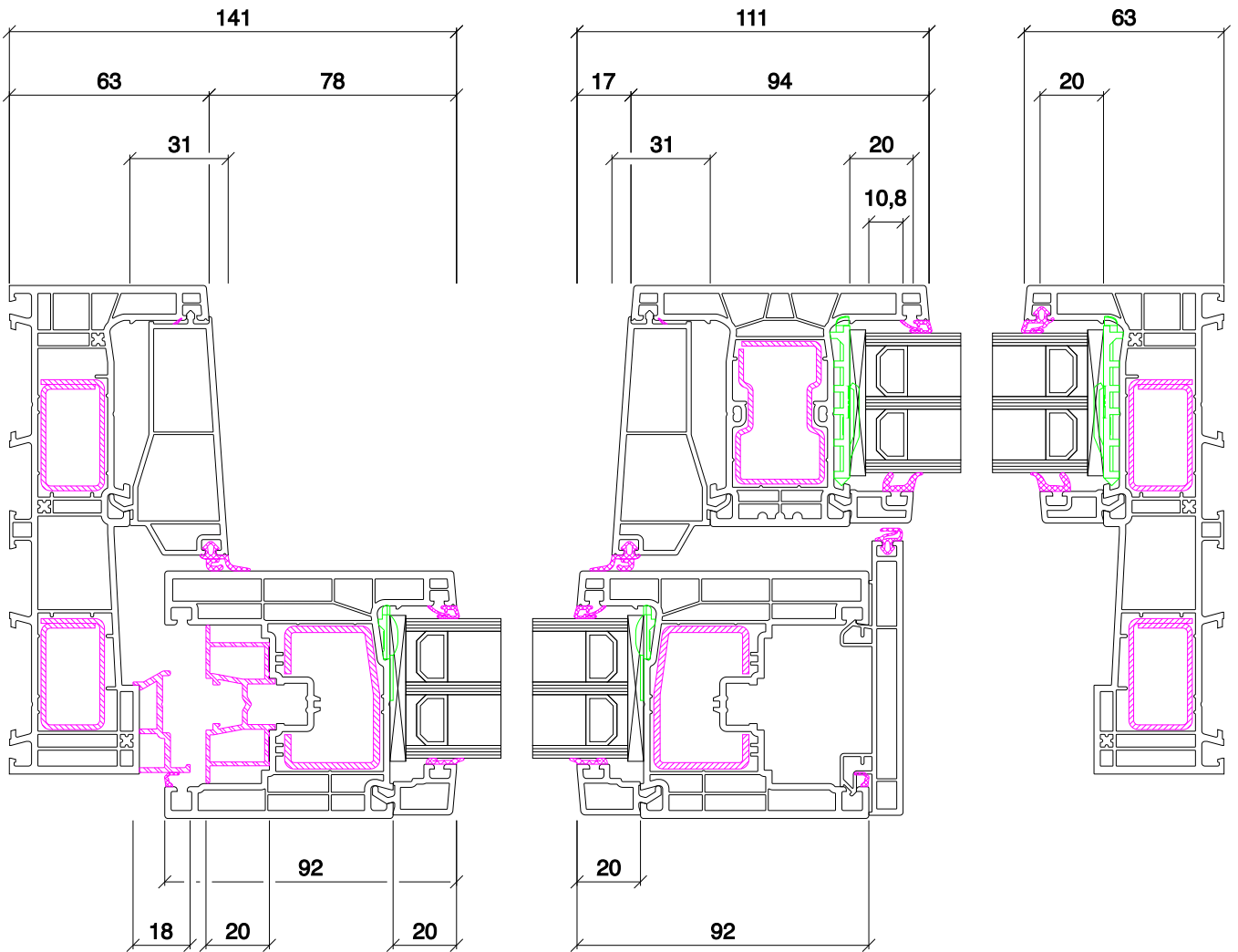


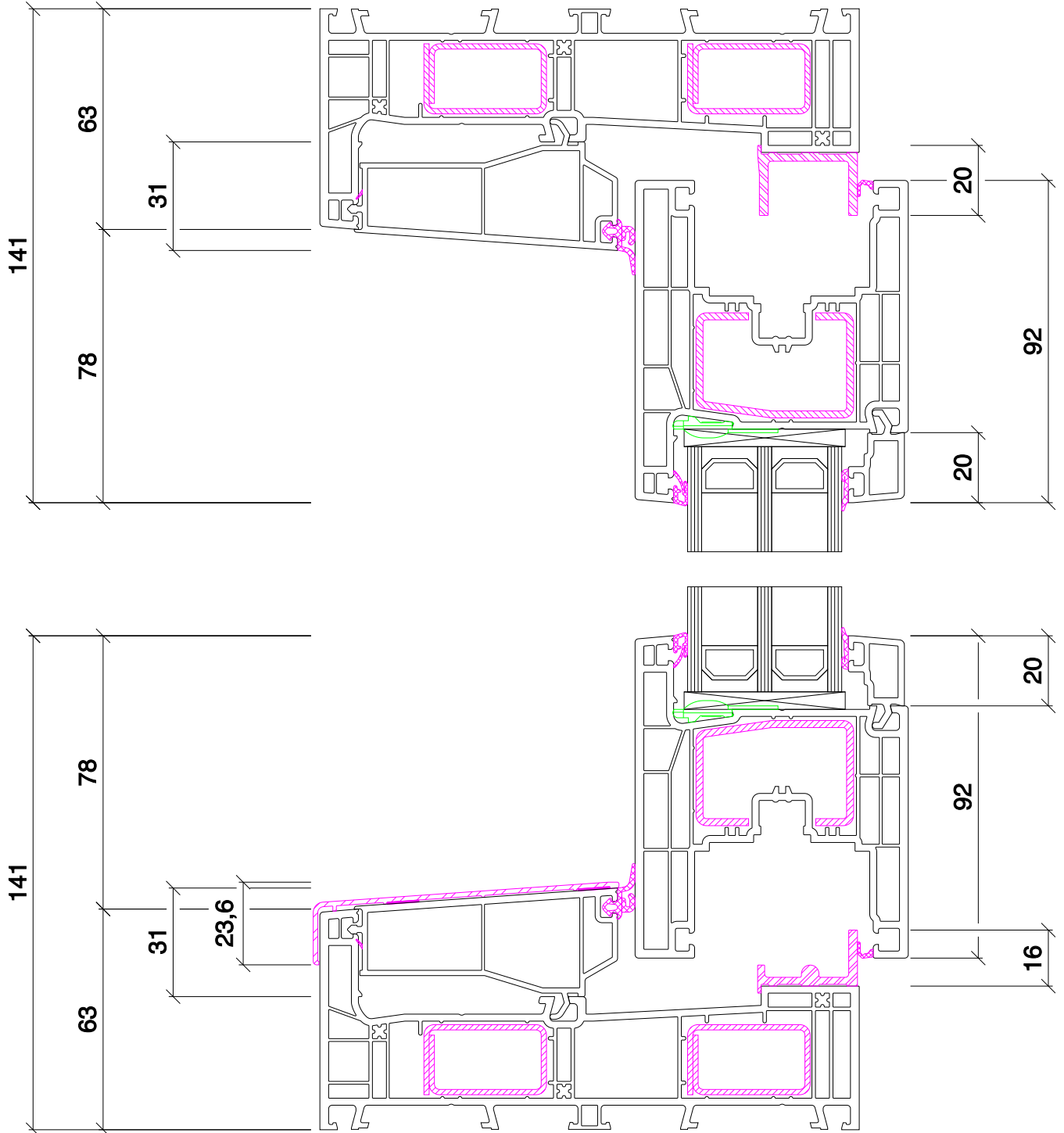


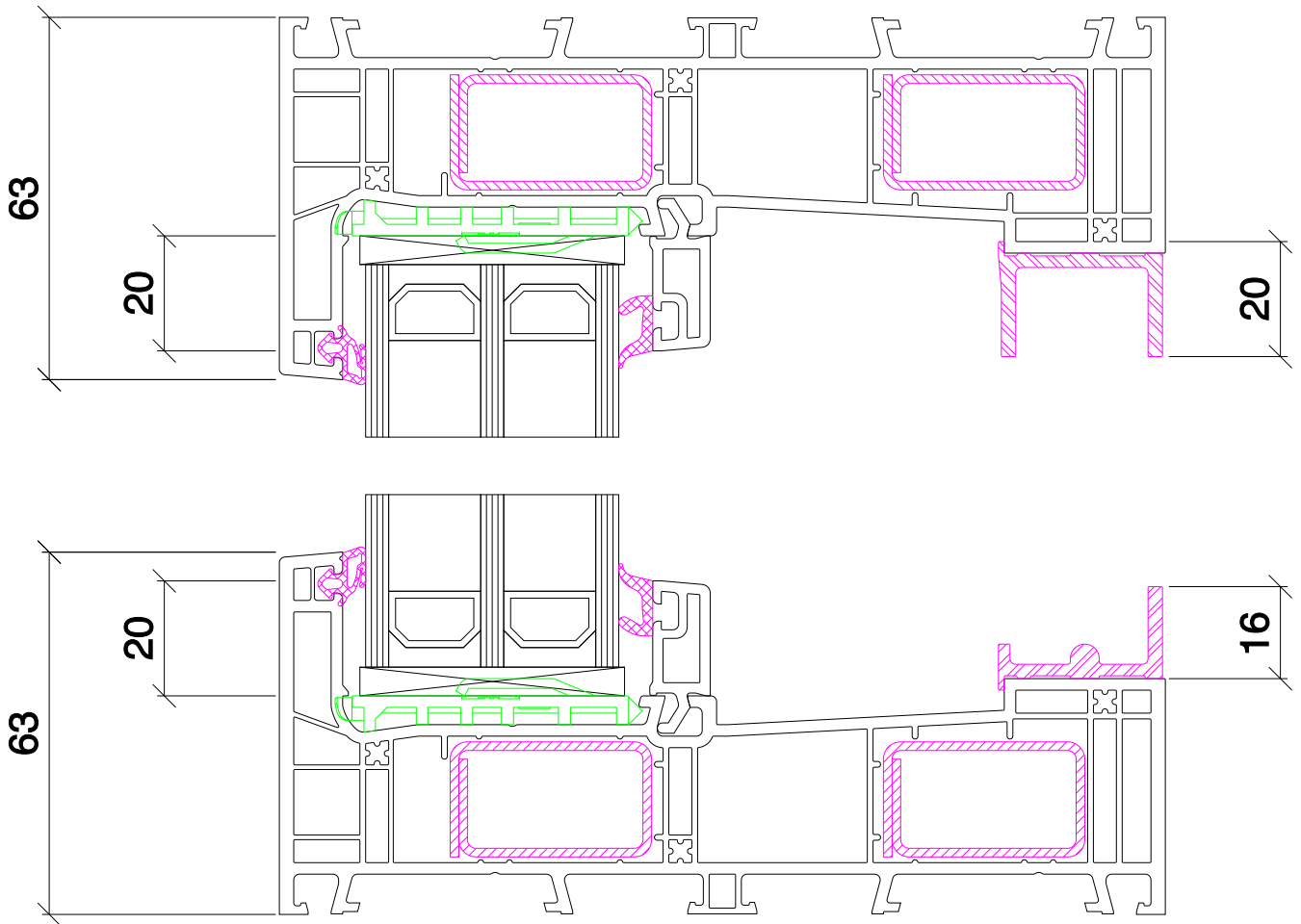






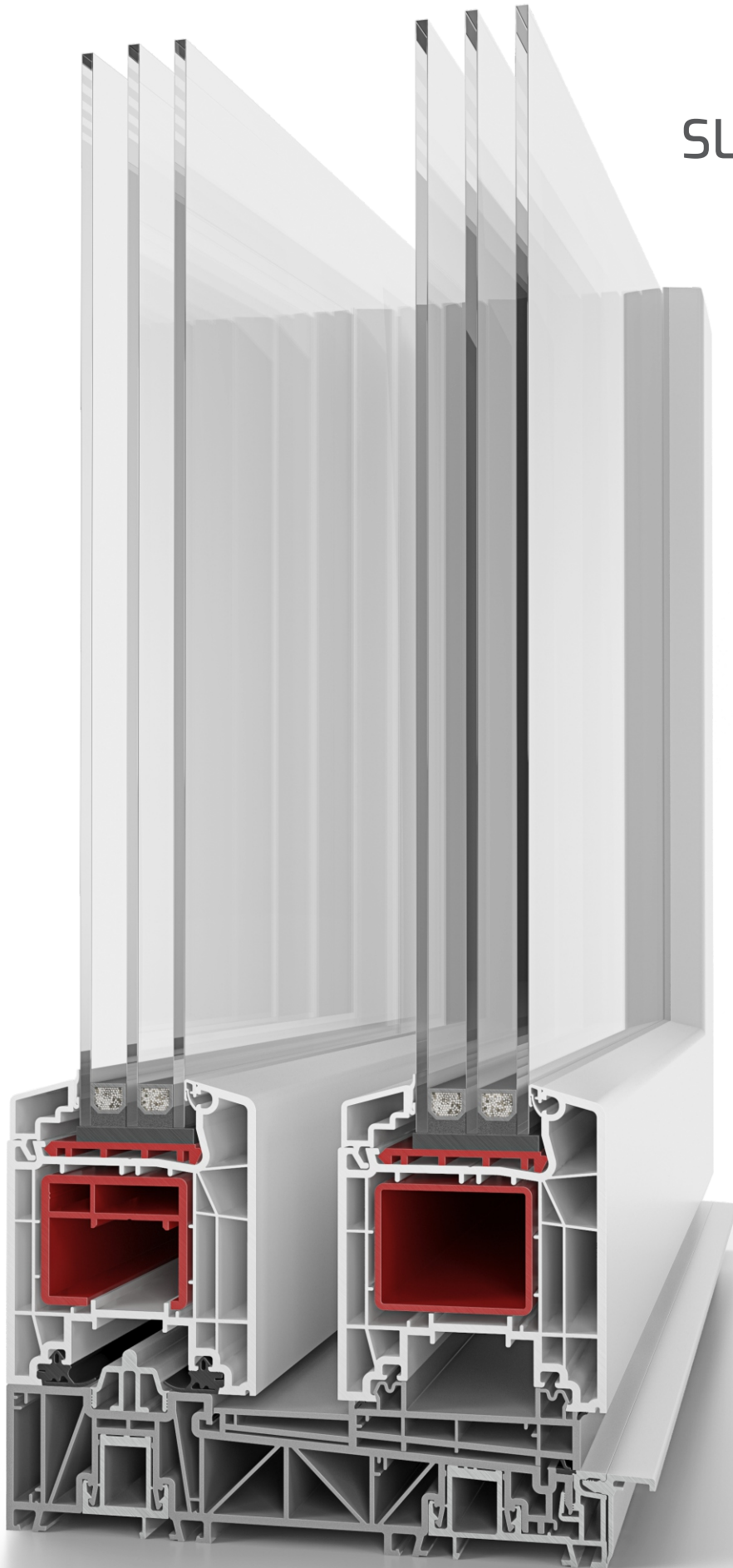


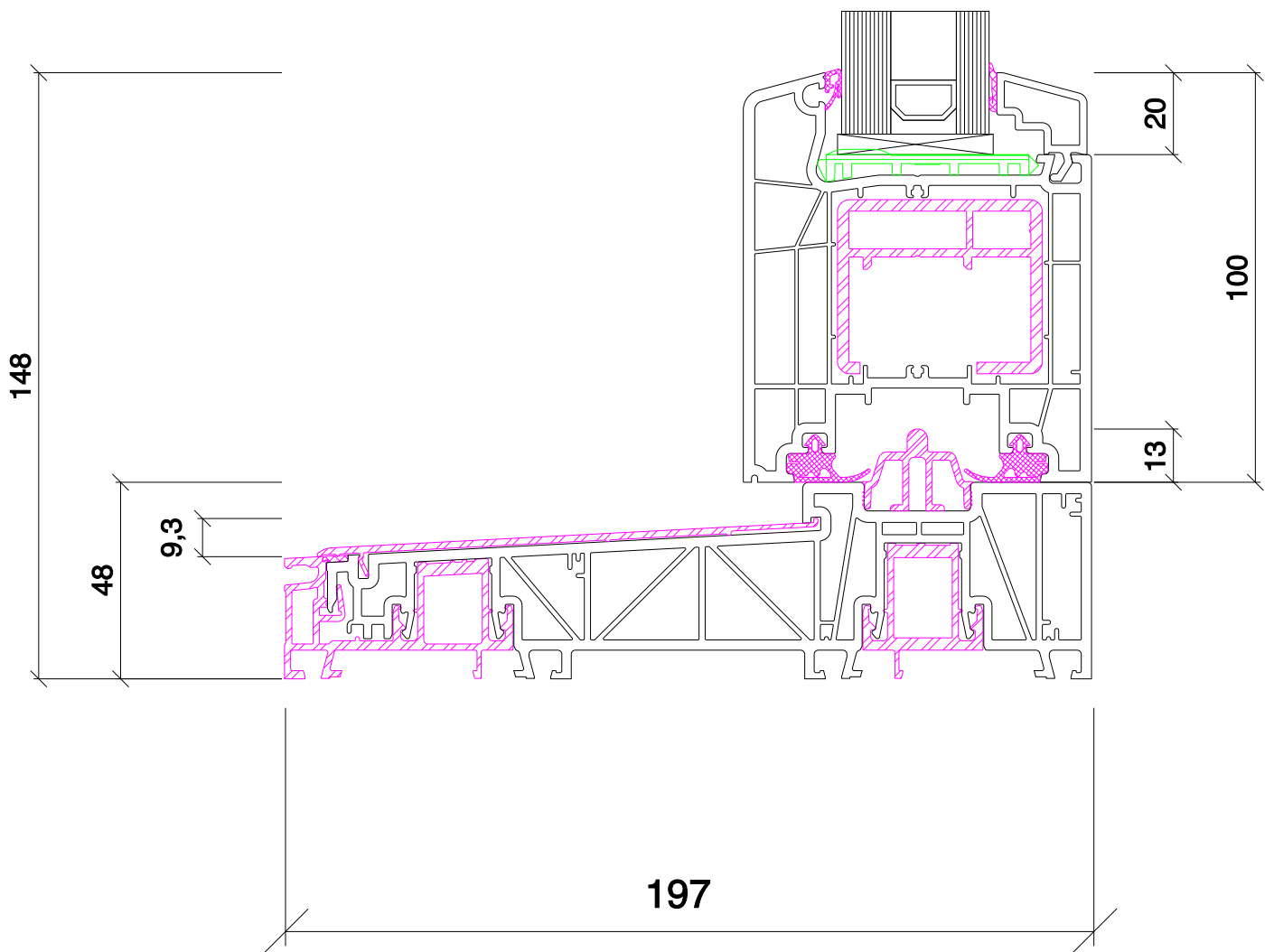


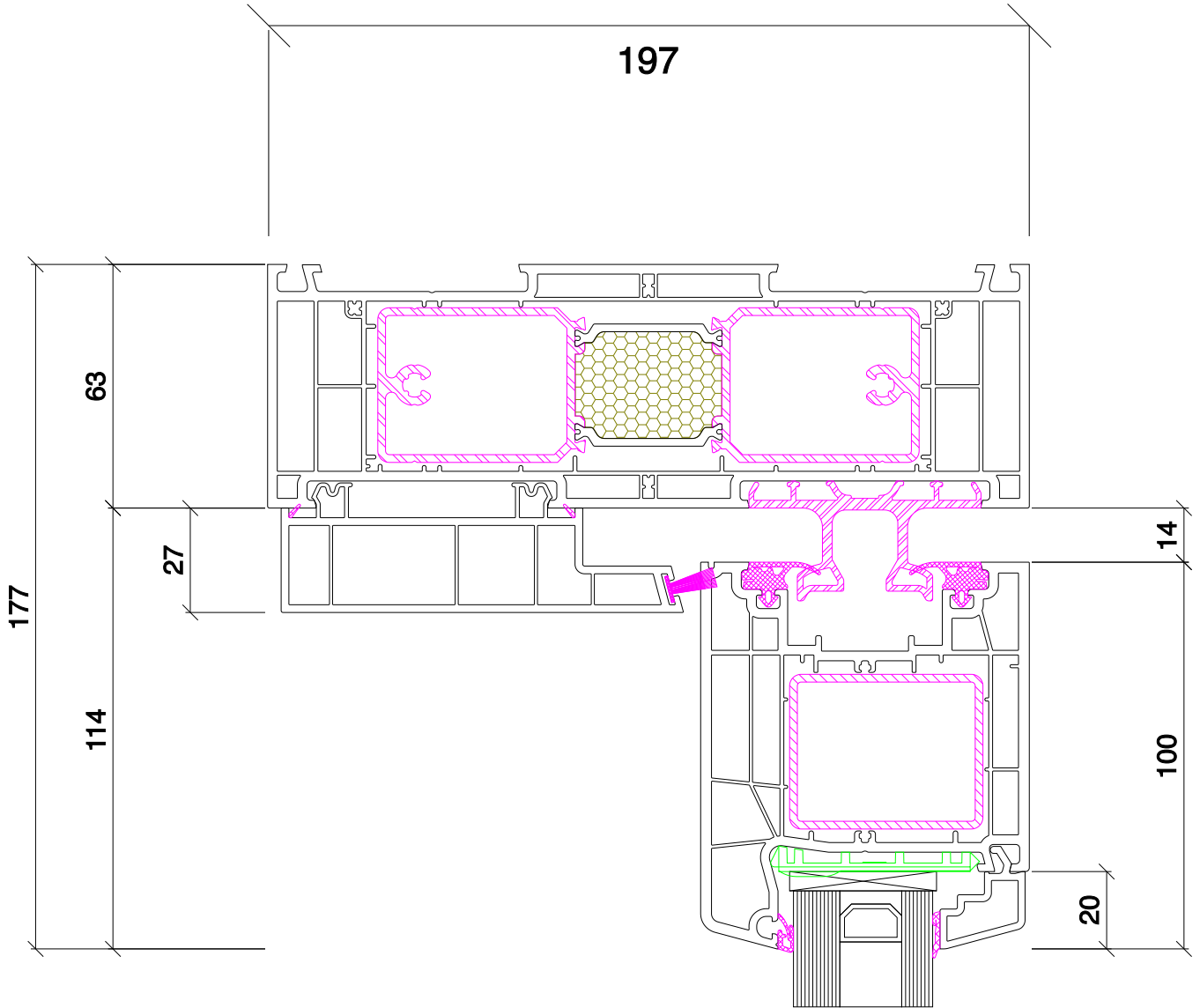


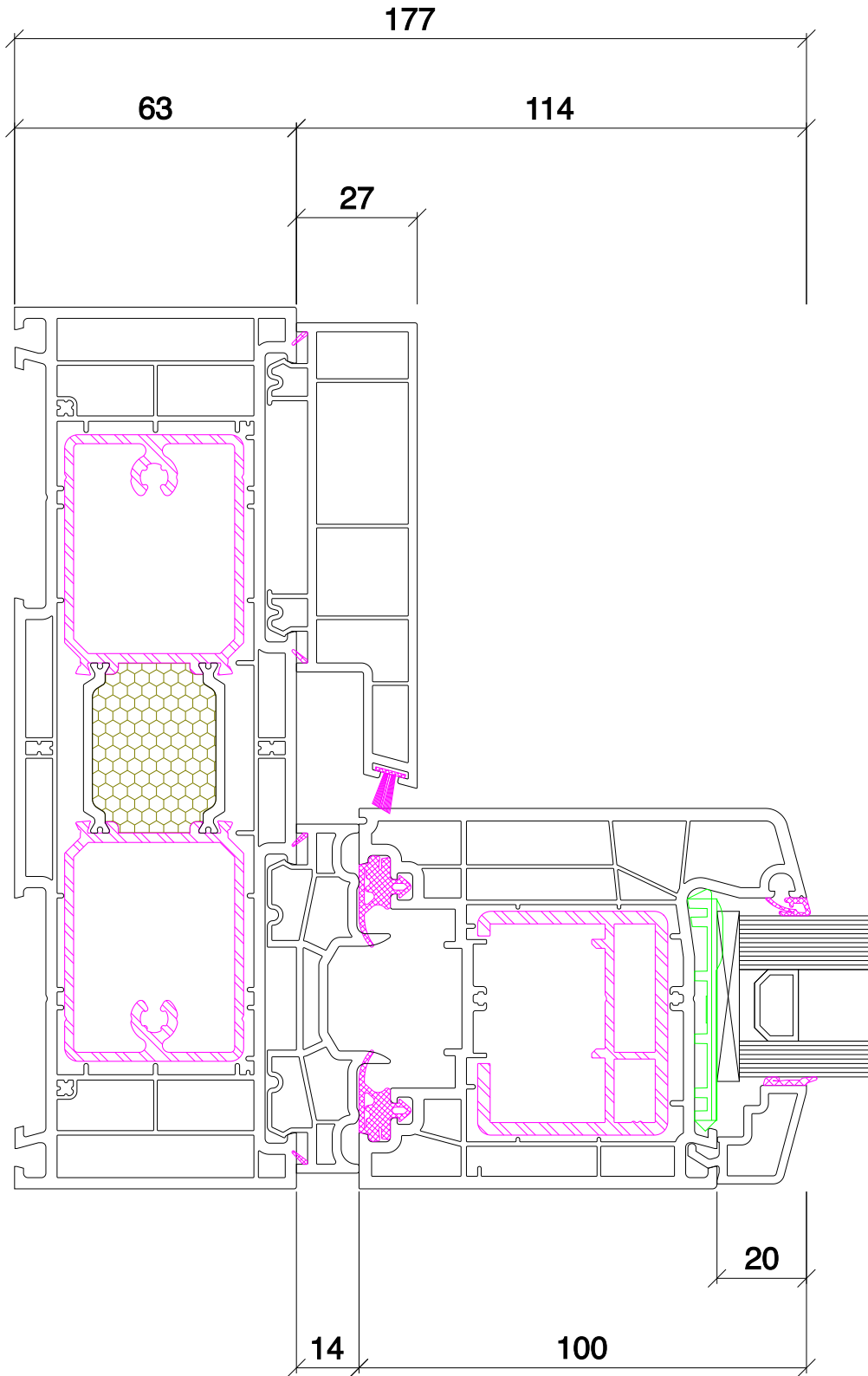
HST

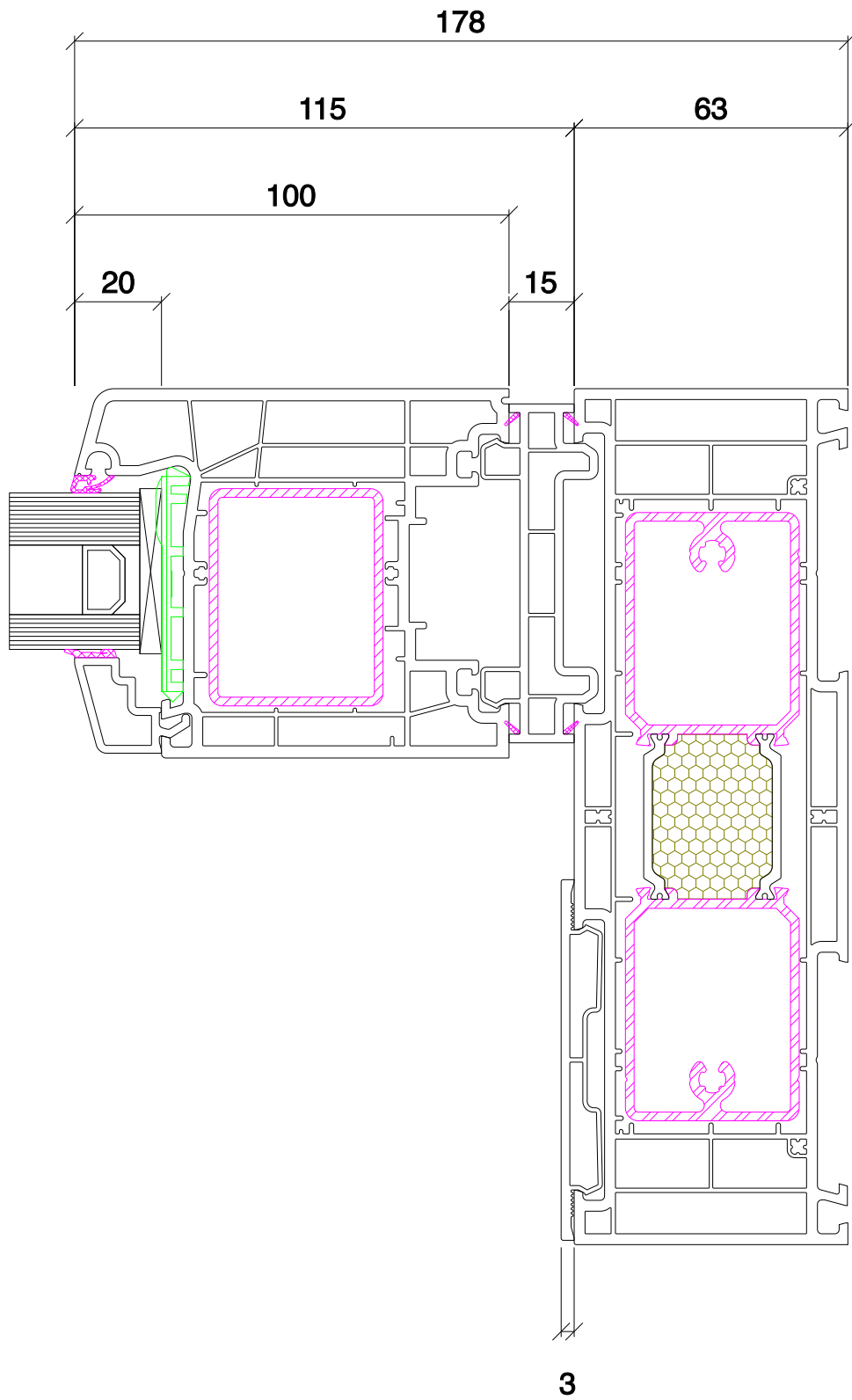
SLIDE 85

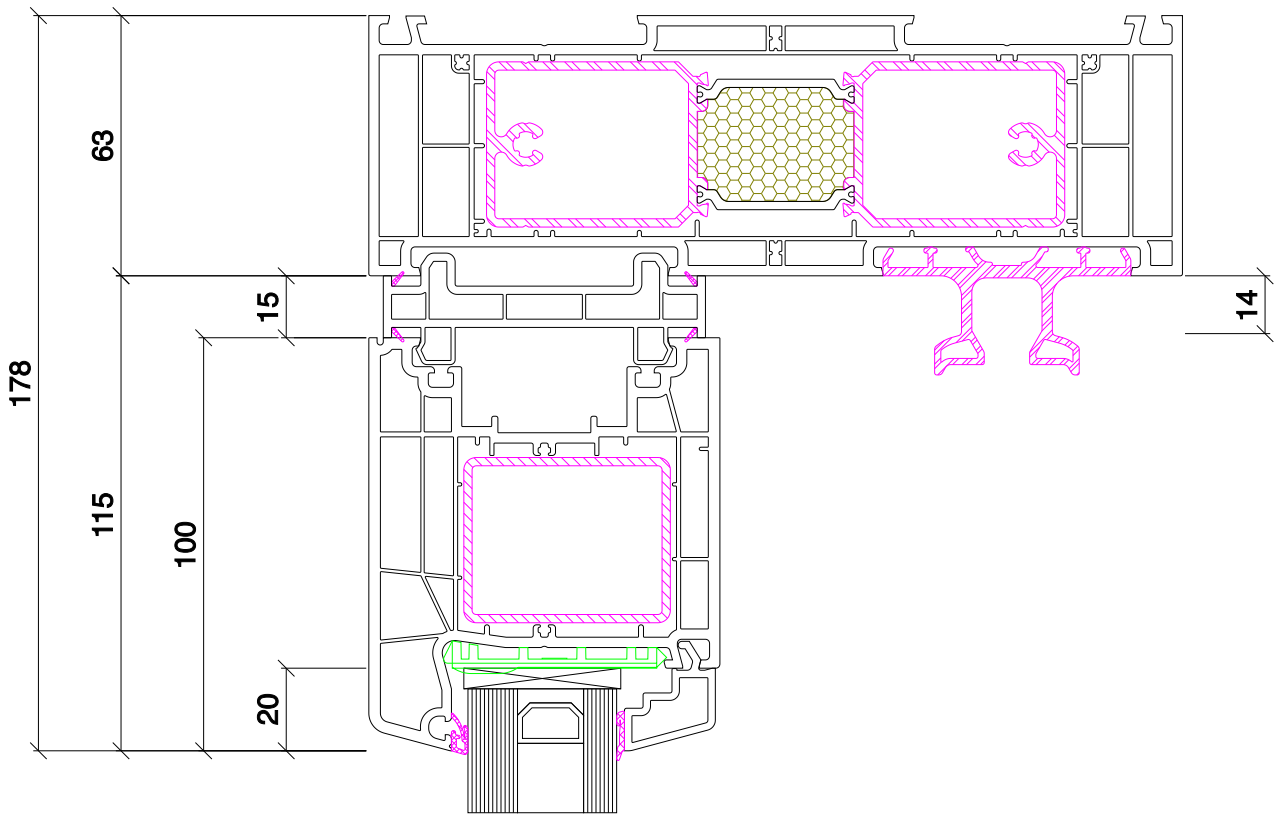


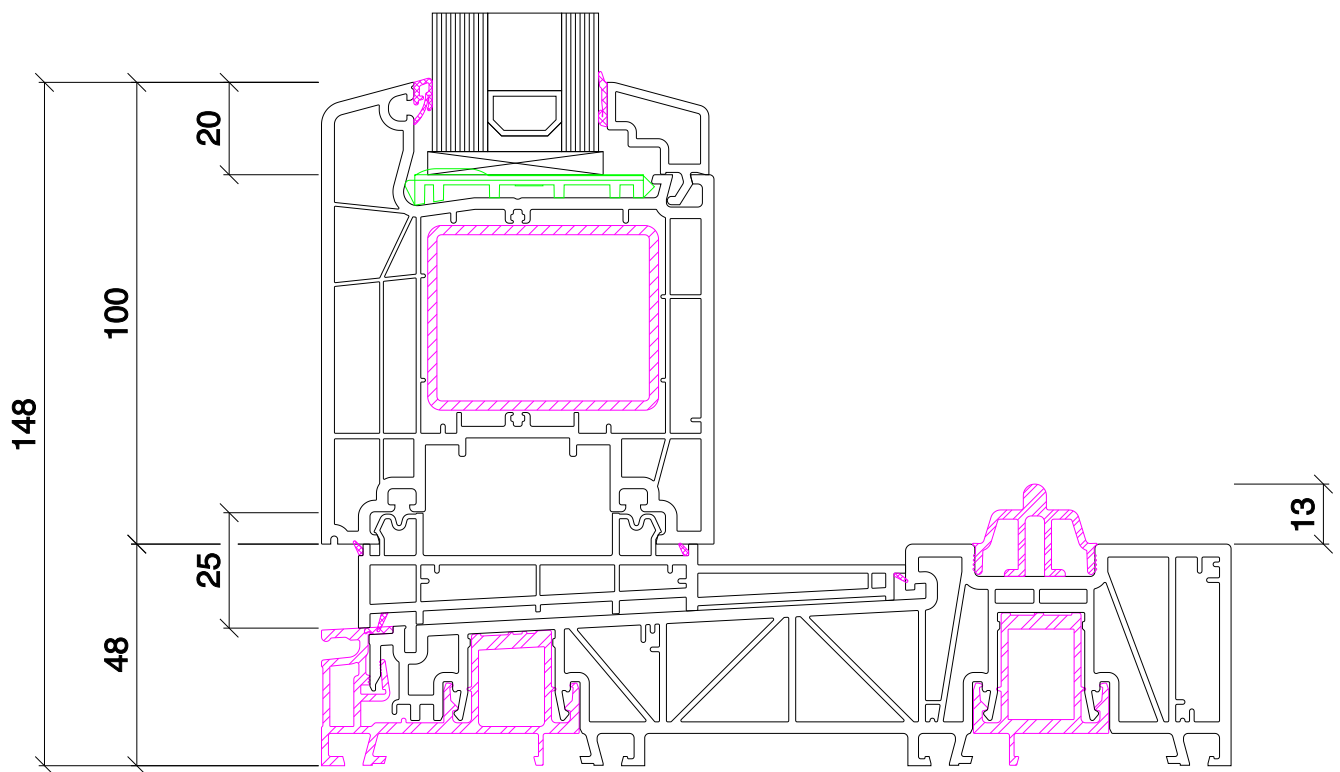


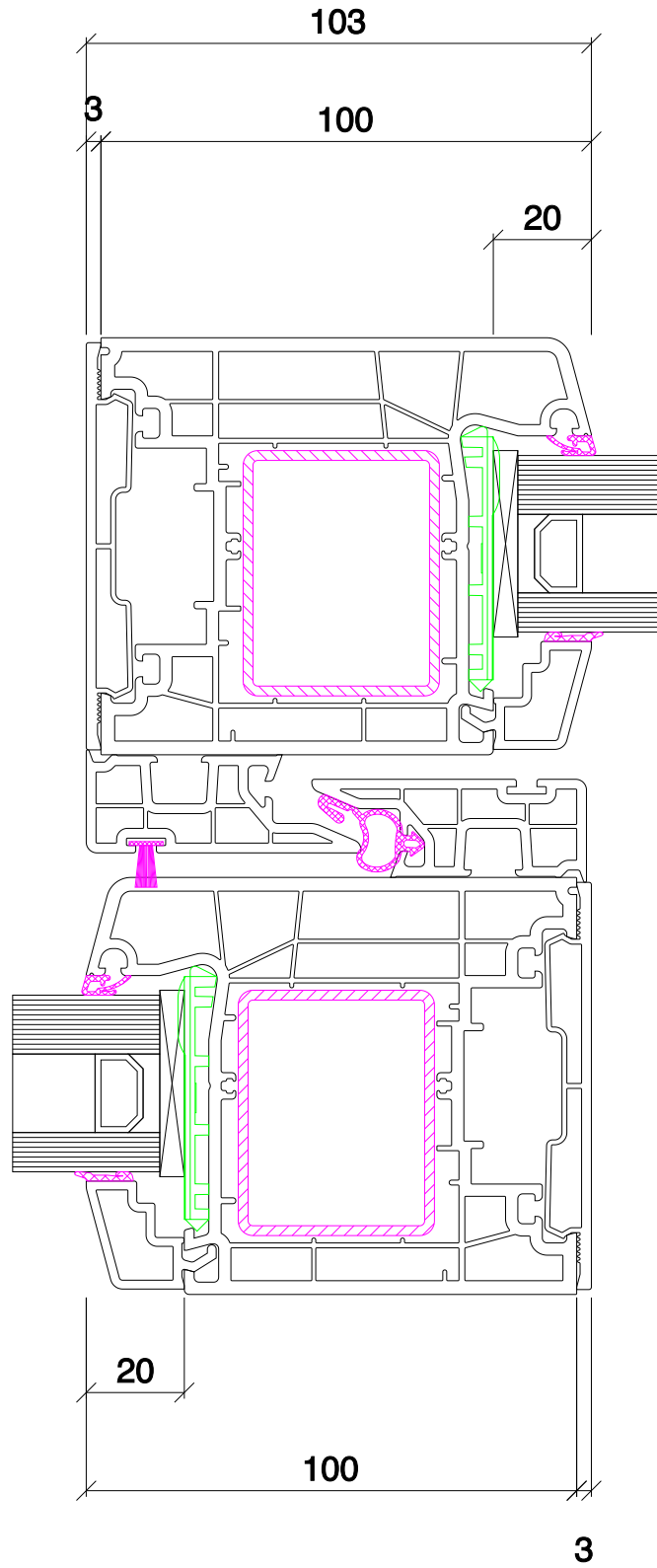


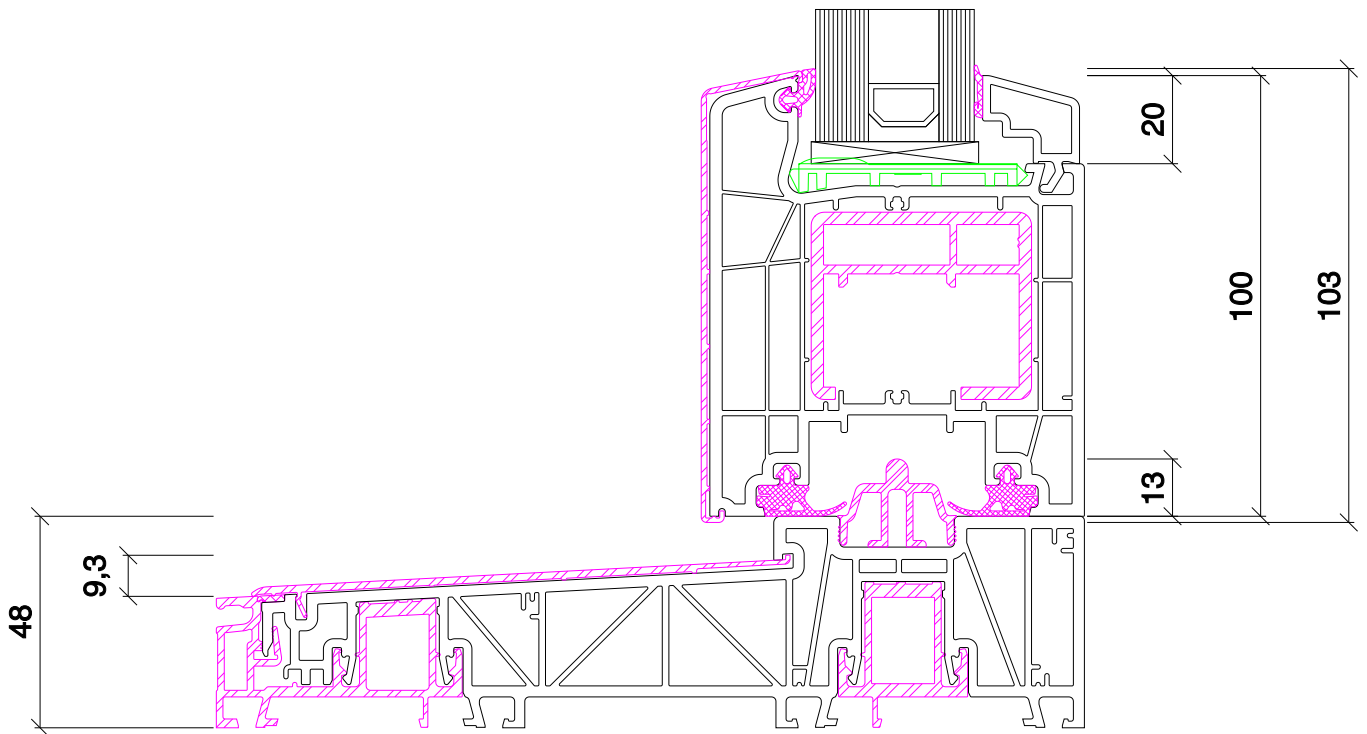


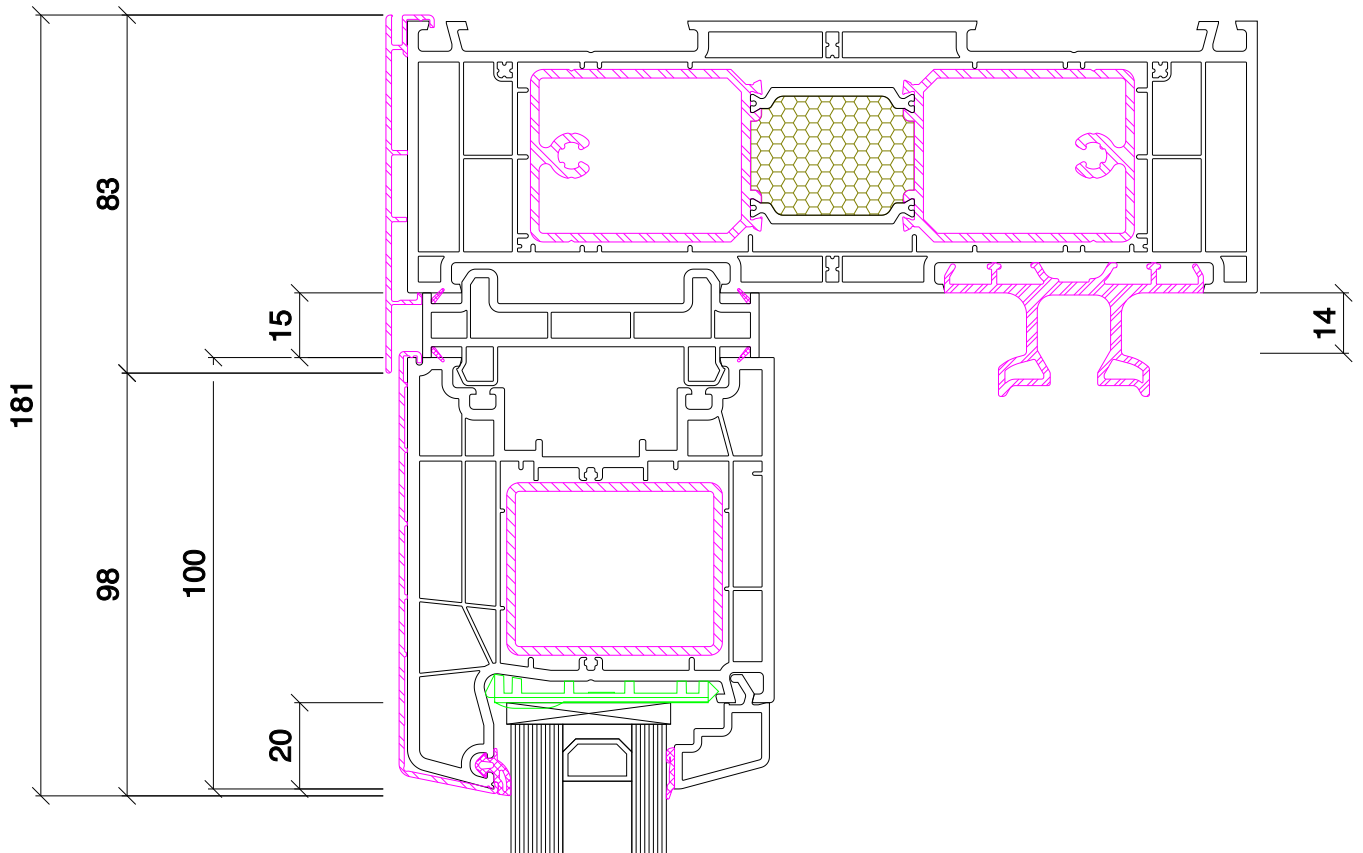


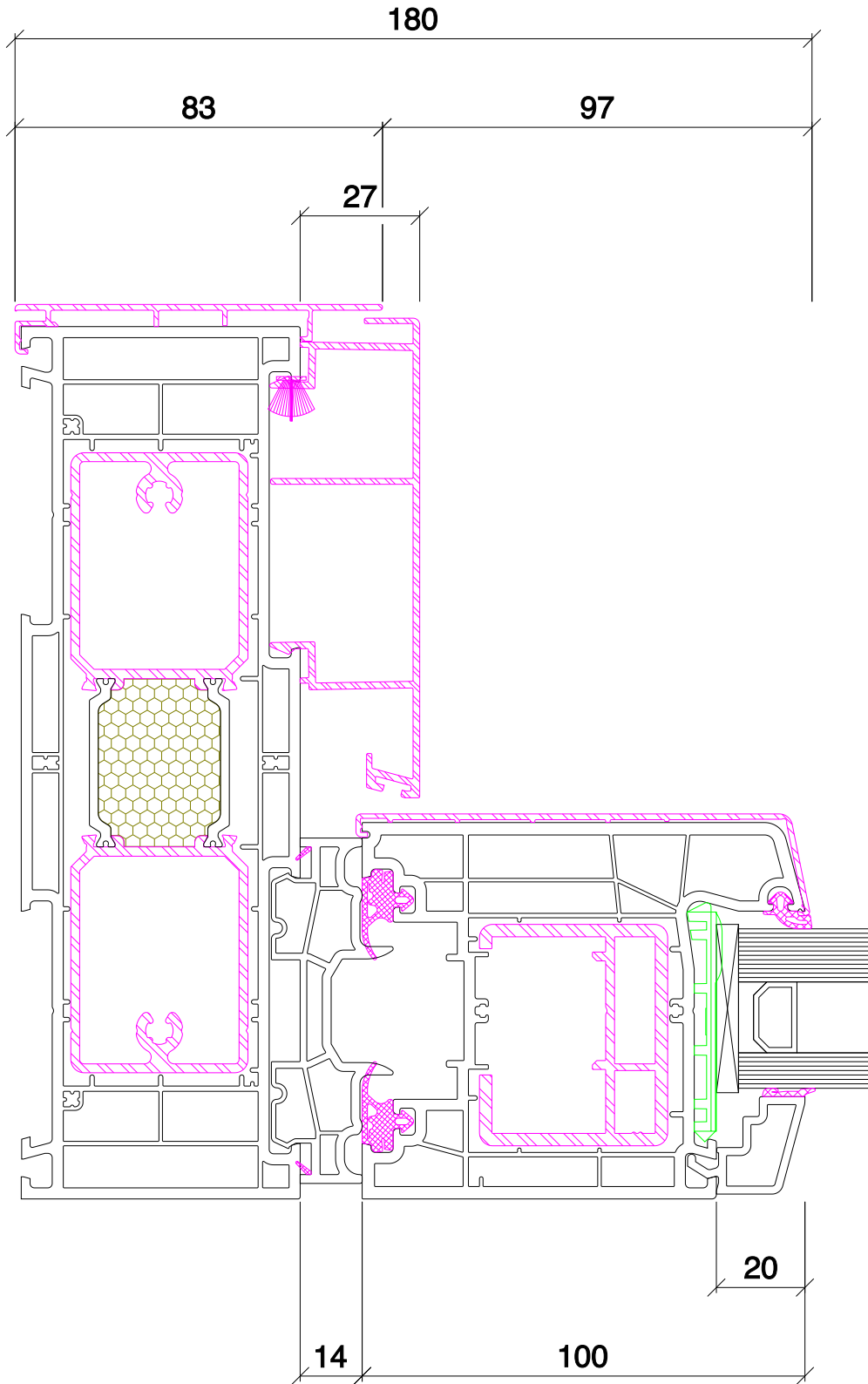


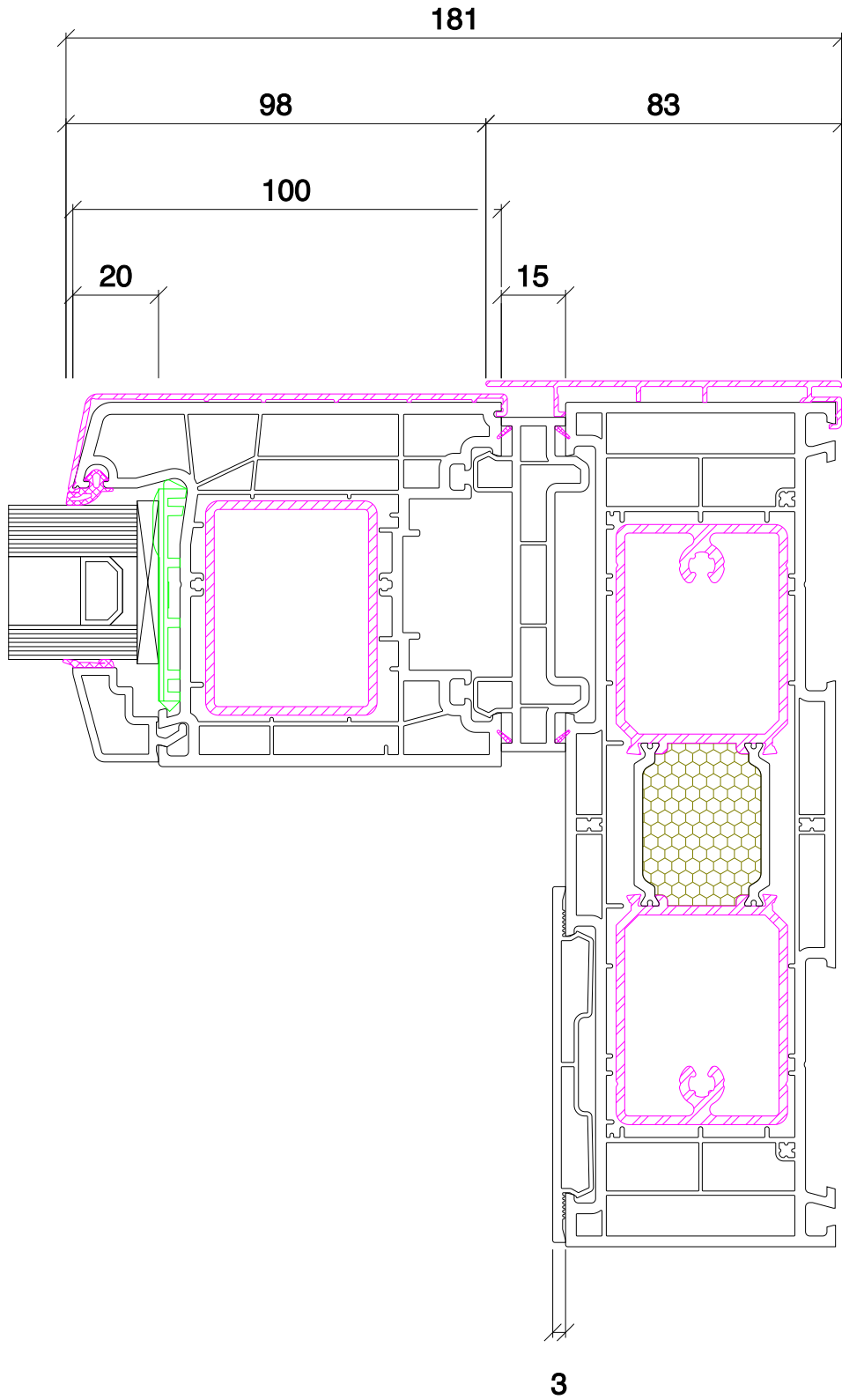


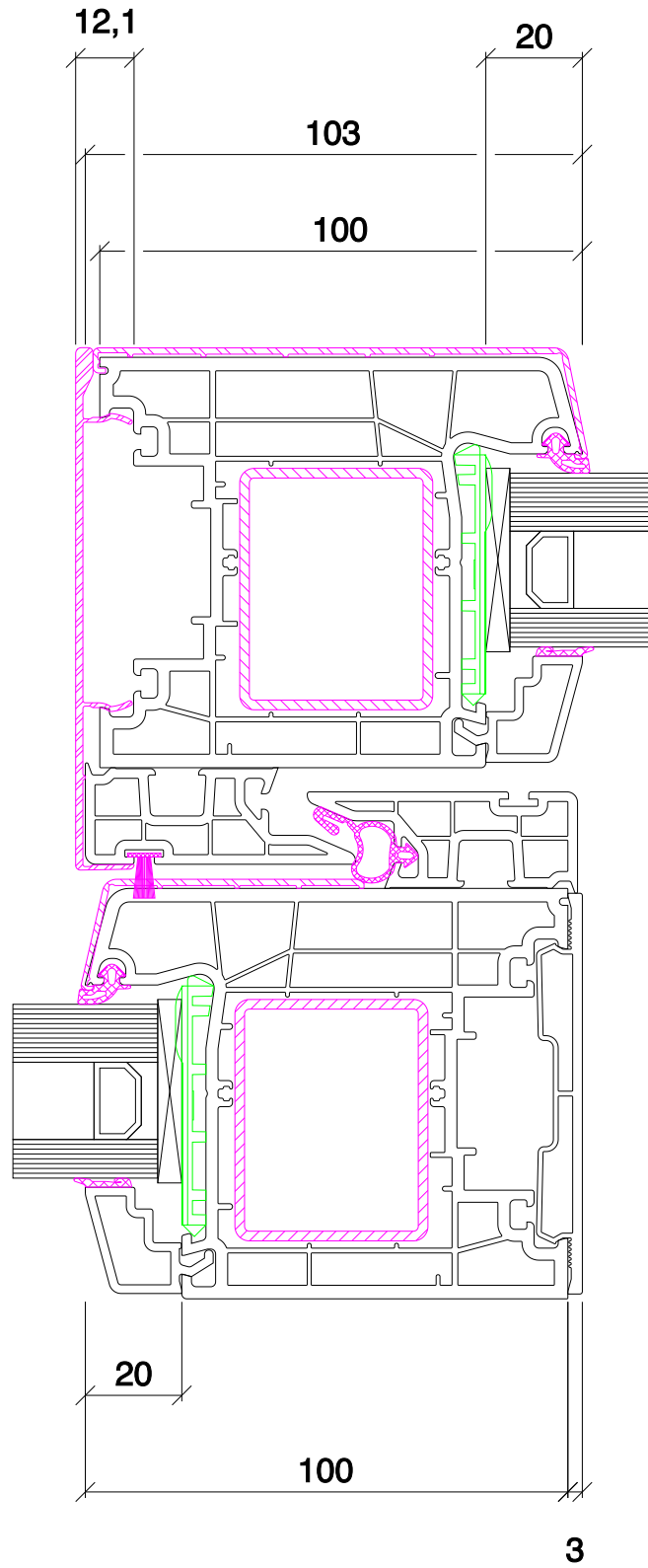


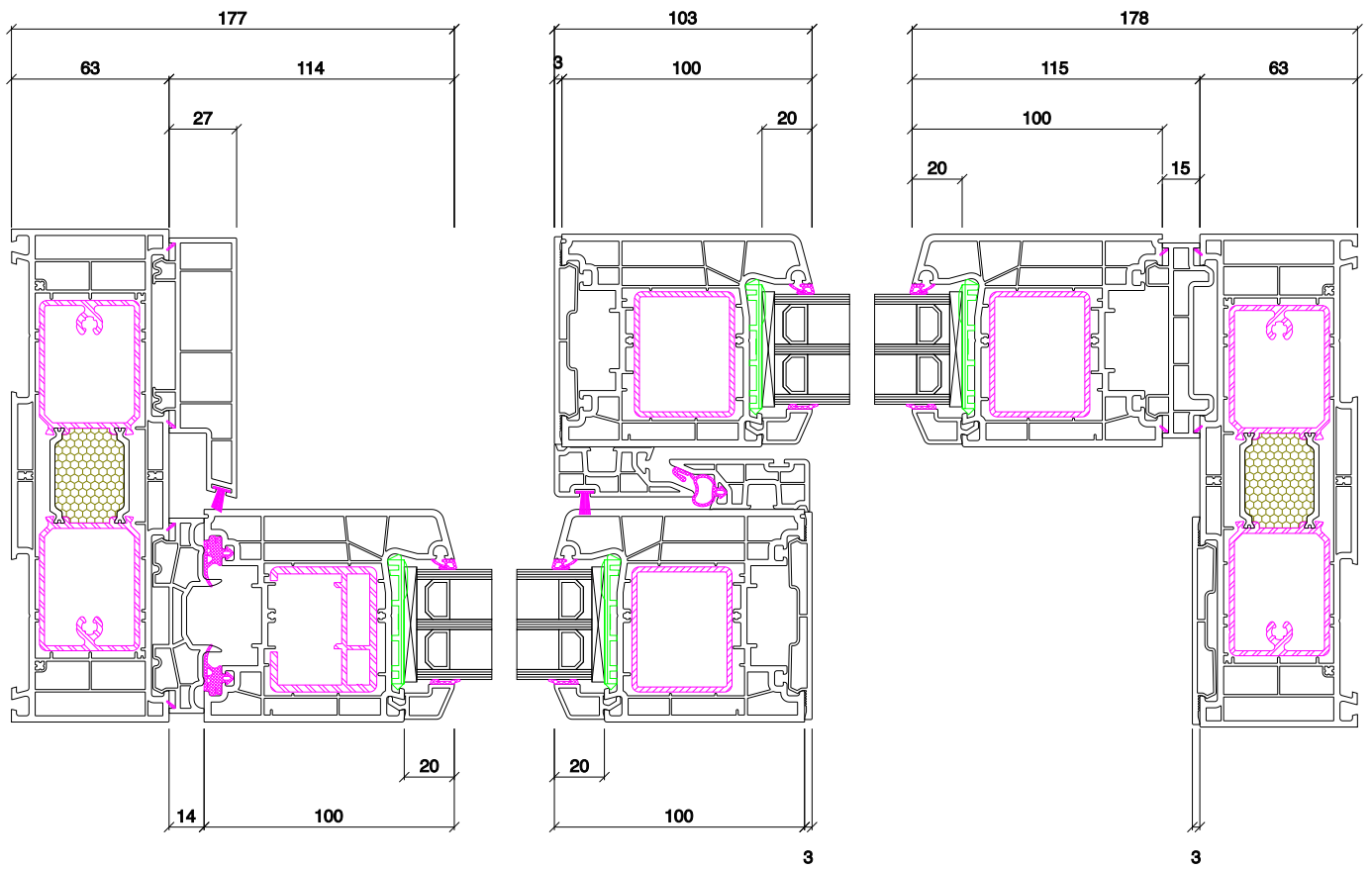


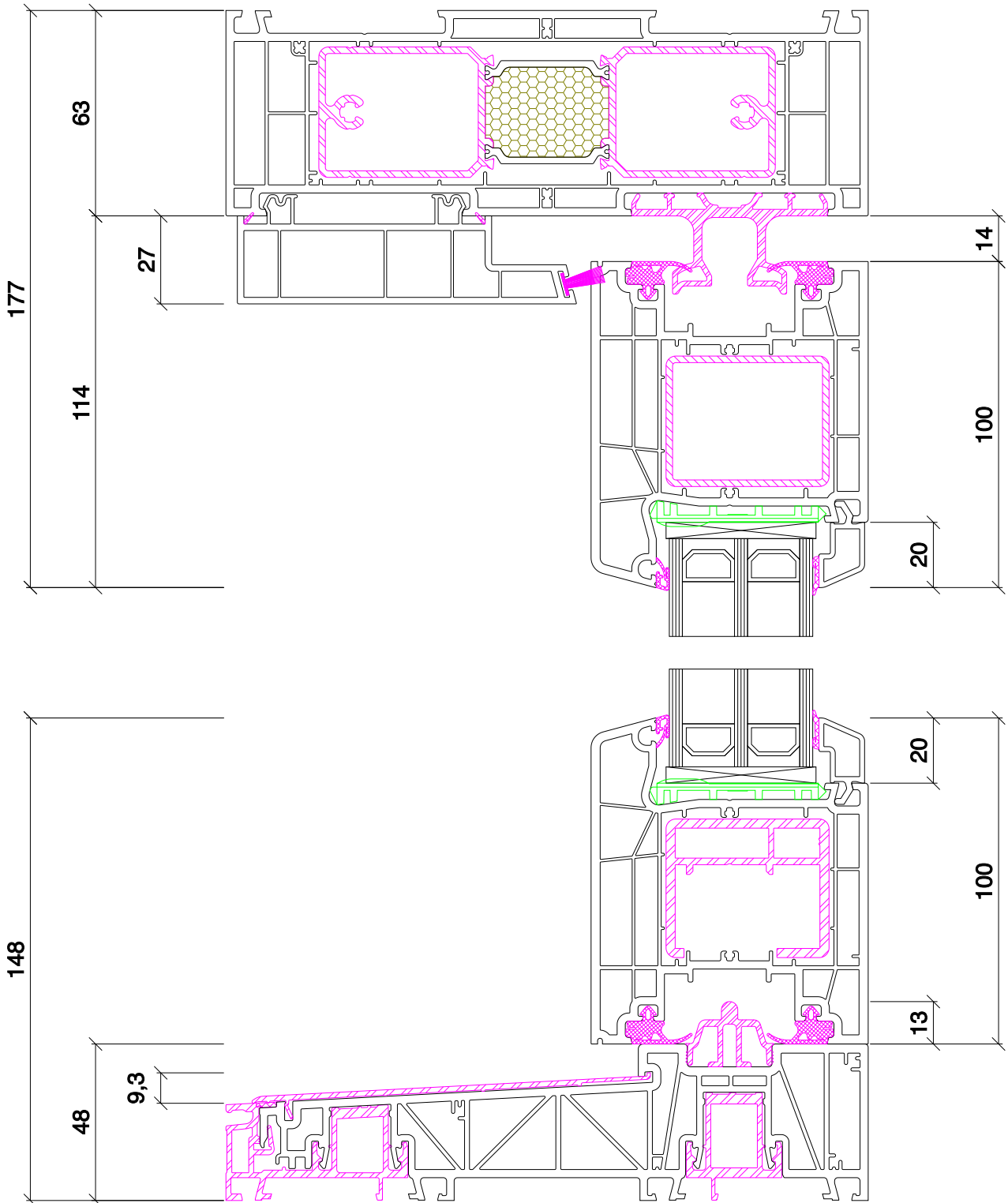


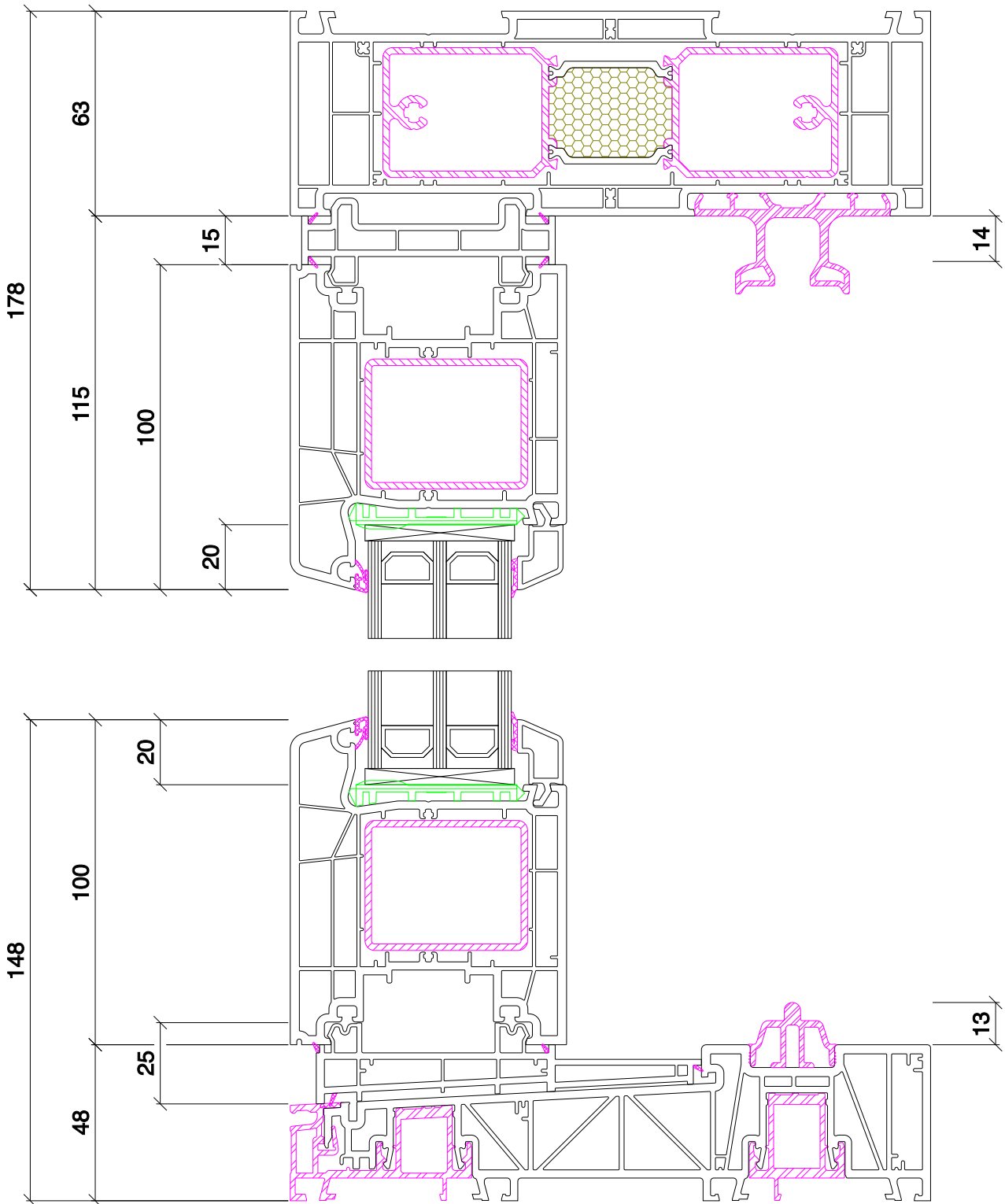


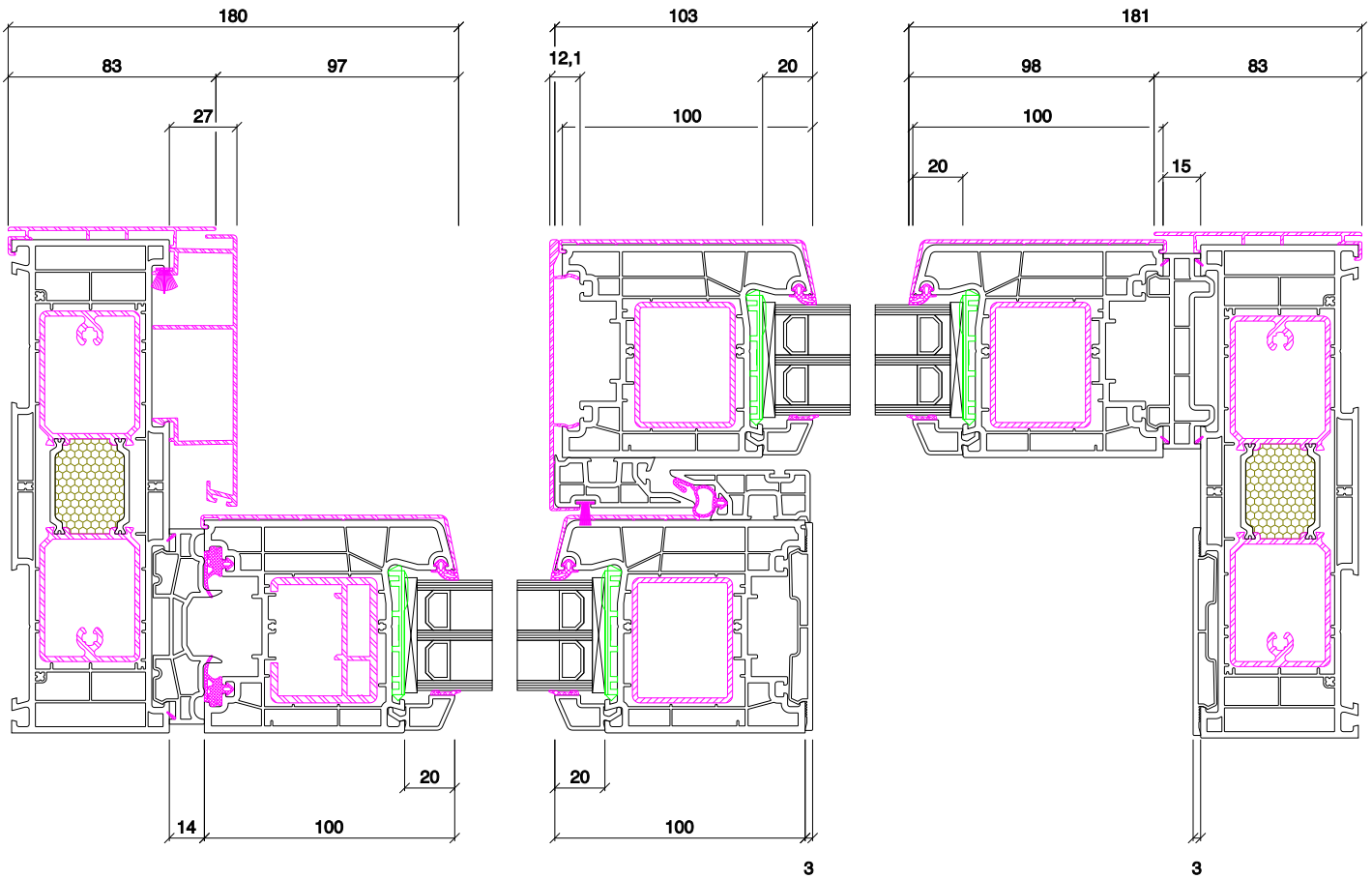


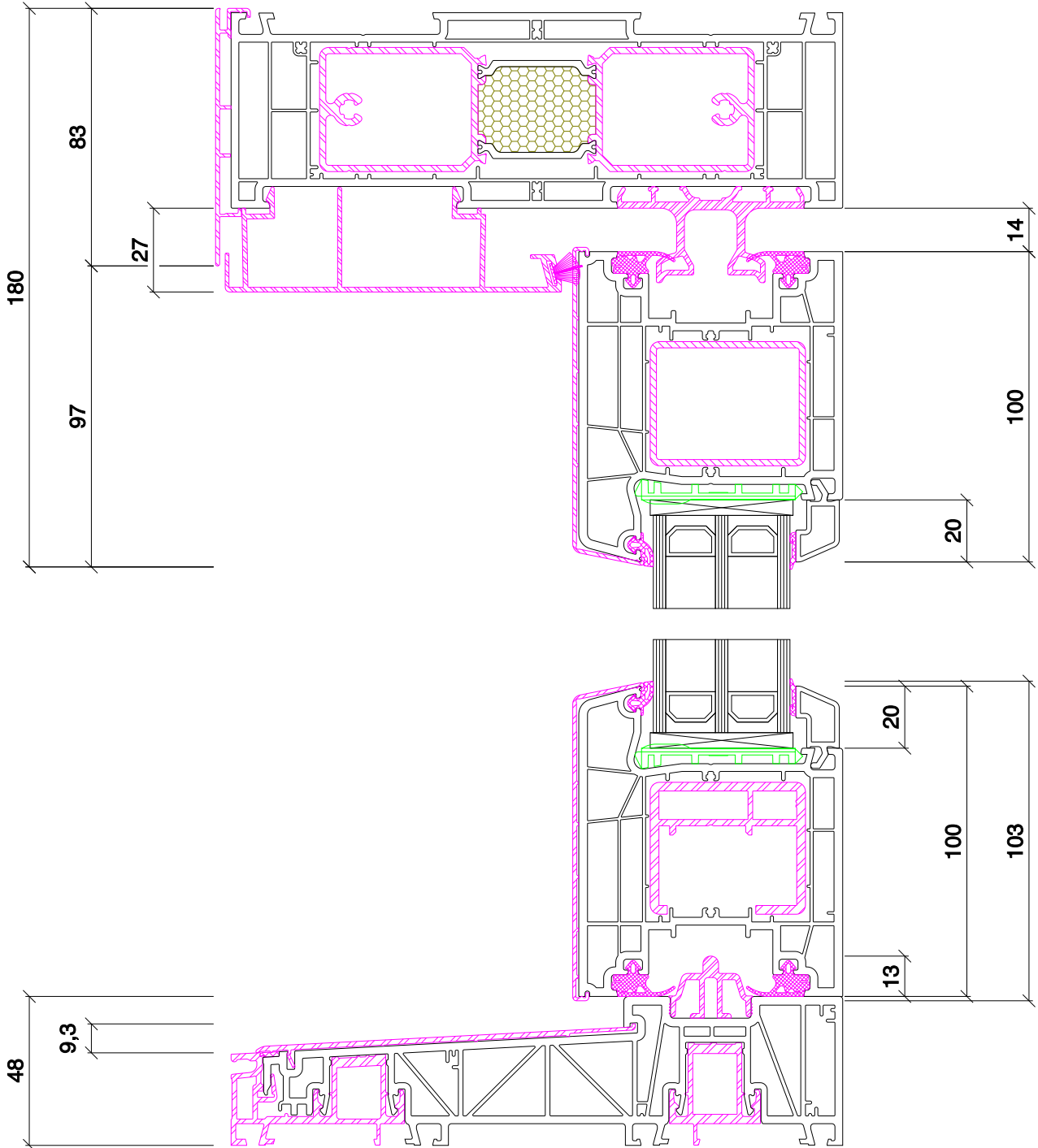


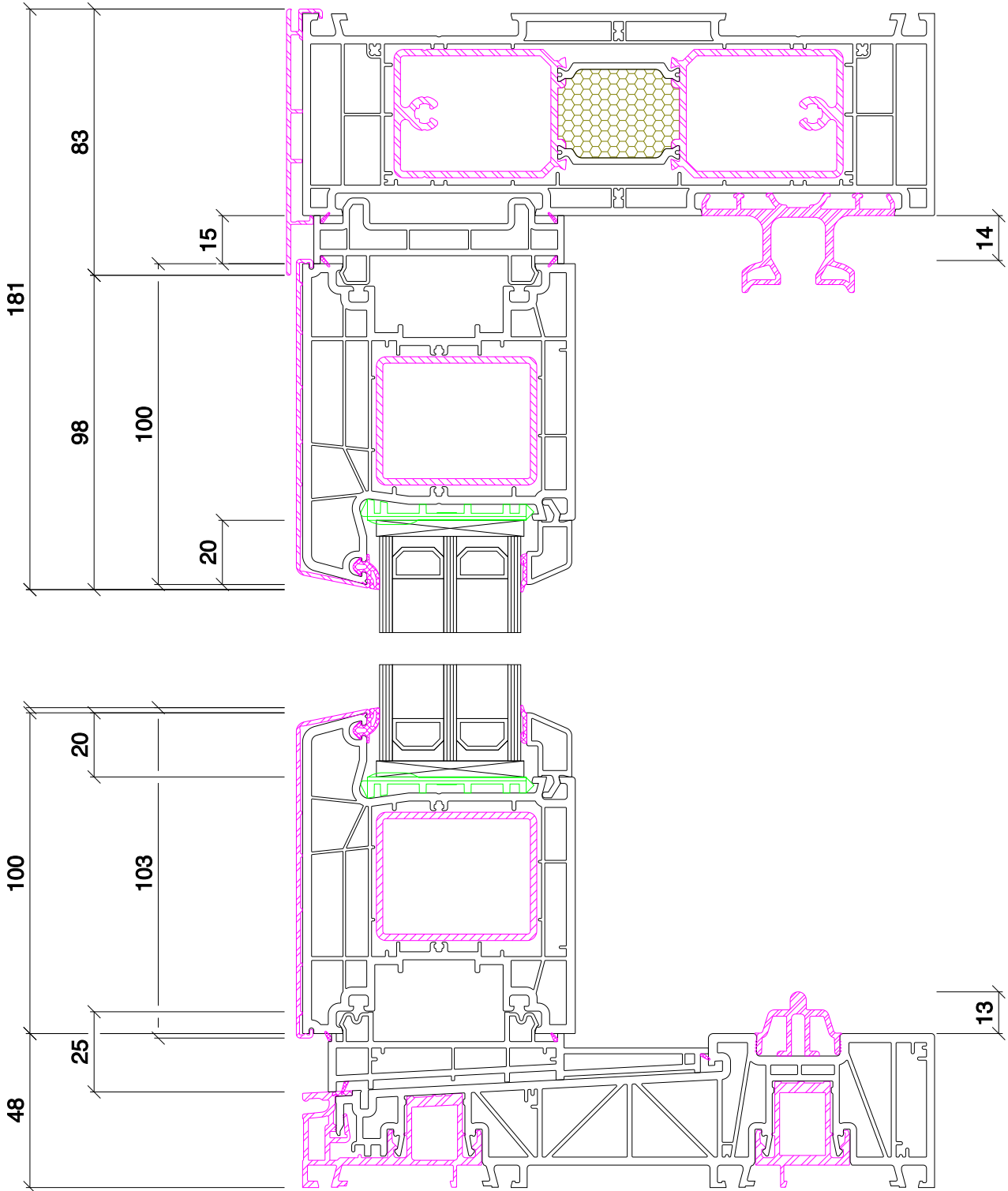














AL PLAST uPVC Windows and Doors

Founded in 1994, AL PLAST has become your trusted partner in the industry. With decades of experience in production, a strong focus on customer satisfaction, and a continuous commitment to innovation, we have established ourselves as a leading manufacturer of doors and windows.

Furthermore, we are among the largest manufacturers of windows made from uPVC and aluminum (ALU). All our products are CE and ISO certified, ensuring exceptional quality and compliance with the highest standards. In addition, we use only premium materials that are RAL certified to guarantee maximum reliability.

HEAD OFFICE
alplast upvc d.o.o.
Trg Komandanta Staneta 8, 1000 Ljubljana, Slovenia
info@alplast.si | www.alplast.si

FACTORY
Lufta e Gjilanit 44, 60000 Gjilan, Kosovo
+383 49 80 22 22 | +383 49 89 4000

