



**aluplast GmbH** (Head Office)  
uPVC window profile systems  
Auf der Breit 2  
DE - 76227 Karlsruhe

fon: +49 721 47171-0  
fax: +49 721 47171-999  
info.de@aluplast.net  
www.aluplast.net

**aluplast India Pvt. Ltd.**  
uPVC window profile systems  
B-26 Second Floor  
Lajpat Nagar – III  
IN - 110024 New Delhi

fon: +91 11 29830646  
fax: +91 11 29830647  
info@aluplastindia.com  
www.aluplastindia.com

**aluplast Iranian L.L.C.**  
uPVC window profile systems  
Unit # 16 & 17 - 4th Floor  
No.56, M. Golnabi St  
South of Hosseinieh Ershad.Dr.Ali  
Shariati Ave.  
IR - Teheran

fon: +98 21 22894282  
fax: +98 21 22866281  
amir.bahrami@aluplast.net  
www.aluplast.net

**aluplast UK**  
uPVC window profile systems  
Unit 1 Unit 1 Tewkesbury Industrial Estate  
Green Lane | Tewkesbury  
UK - Glos GL20 8HD

fon: +44 1684 273401  
fax: +44 1684 273031  
info@aluplast.co.uk  
www.aluplast.net

# IDEAL 4000®



01	General	Page(s)	Filename(s)
01 A	Material properties	1	01_A_01_ID*
01 B	System Description	1 - 3	01_B_01_4*
01 G	Overview Window Types	1 - 4	01_G_01_ID*
01 H	Overview Door Types	1	01_H_01_ID*
01 P	Wall Charts		

IDEAL 4000 | Glazing Beads | Additional Profiles 1-4 | Accessories | Aluminium Shells | Reinforcements

02	Main profiles: Overview	Page(s)	Filename(s)
02 B	Frame	(Scale: 1:1) 1 - 19	02_B_01_4*
	040x02 <sup>1)</sup> 55mm (CL)	Frame	1
	040x92 <sup>1)</sup> 55x120mm (CL) (MB)	Monobloc frame	2
	140x01 65mm (CL)	Frame	3
	140x91 65x120mm (CL) (MB)	Monobloc frame	4
	140x12 65/80x70mm (CL) (MB)	Monobloc frame	5
	140x14 65/80x102mm (CL) (MB)	Monobloc frame	6
	140x16 65/80x122mm (CL) (MB)	Monobloc frame	7
	140x18 65/80x142mm (CL) (MB)	Monobloc frame	8
	140x19 65/80x162mm (CL) (MB)	Monobloc frame	9
	140x00 70x85mm (CL)	Frame	10
	040x07 <sup>1)</sup> 70mm (CL)	Frame	11
	140x07 70mm (CL)	Frame	12
	140x08 70mm (RL)	Frame	13
	140x03 80mm (CL)	Frame	14
	140x15 95mm (CL)	Renovation frame	15
	140x17 95mm (CL)	Renovation frame	16
	140x05 95mm (CL)	Renovation frame	17
	140x81 100mm (CL)	Frame	18
	140x09 120mm (CL)	Renovation frame	19
02 C	Sash	(Scale: 1:1) 1 - 12	02_C_01_4*
	140x24 <sup>3)</sup> 69mm re. (CL)	Sash	1
	140x20 77mm re. (CL)	Sash	2
	140x26 77mm s.re. (CL)	Sash	3
	140x22 77mm s.re. (RL)	Sash	4
	140x37 77mm re. (CL)	opening outwards, Sash	5
	140x28 <sup>3)</sup> 97mm re. (CL)	Sash	6
	140x30 105mm re. (CL)	Sash	7
	140x34 105mm s.re. (RL)	Sash	8
	140x31 105mm re. (CL)	opening outwards, Sash	9
	140x33 120mm re. (CL)	Sash	10
	140x38 120mm re. (RL)	Sash	11
	140x35 120mm re. (CL)	opening outwards, Sash	12
02 D	Mullions / Transoms	(Scale: 1:1) 1 - 4	02_D_01_4*
	140x45 104mm (CL)	Mullion / Transom	1
	140x41 84mm (CL)	Mullion / Transom	2
	140x47 84mm (RL)	Mullion / Transom	3
	140x46 70mm (CL)	Transom	4
02 E	False mullion sash / False mullion profiles	(Scale: 1:1) 1 - 9	02_E_01_4*
	140x76 57mm re. (CL)	False mullion sash	1
	140x82 57mm s.re. (RL)	False mullion sash	2
	140x77 85mm re. (CL)	False mullion sash	3
	140x84 85mm s.re. (RL)	False mullion sash	4
	140x66 64mm (CL)	Big false mullion	5
	140x67 64mm (SL)	(Residential door) Big false mullion	6
	140x65 44mm (CL)	Small false mullion	7
	120x97 32mm (RL)	(for false mullion sash) Mini false mullion	8
	140x97 28mm (RL)	(for false mullion sash) Mini false mullion	9

<sup>1)</sup> powerdur

<sup>3)</sup> bonding option = (M) multi

03	Main profiles: Combinations		Page(s)	Filename(s)
03 A	Construction Dimensions		1 - 3	03_A_01_4*
03 B	Residential door thresholds	(Scale: 1:2)	1 - 11	03_B_01_4*
03 C	Tilt-and-turn door thresholds		1 - 7	03_C_01_4*
03 D	Frame - Sash		1 - 228	03_D_01_4*
03 E	Frame - Fixed glazing		1 - 19	03_E_01_4*
03 G	Sash - Mullion - Sash		1 - 36	03_G_01_4*
03 H	Sash - Mullion - Fixed glazing		1 - 36	03_H_01_4*
03 J	Mullion / Transom glass-dividing		1 - 4	03_J_01_4*
03 L	Sash - False mullion - Sash		1 - 36	03_L_01_4*
03 M	False mullion sash - Sash		1 - 8	03_M_01_4*
03 Y	Pivot window	(Scale: 1:2)	1 - 3	03_Y_01_4*
03 Z	Examples for the connection to the wall	(Scale: 1:1/1:2)	1 - 12	03_Z_01_4*

Notes to chapter 03 Combinations:

Frame <sup>1)</sup>			
Chapter	03 D	03 E	
040x02	12	1	1.
040x07	12	1	2.
040x92	12	1	3.
140x00	12	1	4.
140x01	12	1	5.
140x03	12	1	6.
140x05	12	1	7.
140x07	12	1	8.
140x08	12	1	9.
140x09	12	1	10.
140x12	12	1	11.
140x14	12	1	12.
140x15	12	1	13.
140x16	12	1	14.
140x17	12	1	15.
140x18	12	1	16.
140x19	12	1	17.
140x81	12	1	18.
140x91	12	1	19.
Pages	228	19	

Mullion <sup>1)</sup>			
Chapter	03 G	03 H	
140x41	12	12	1.
140x45	12	12	2.
140x47	12	12	3.
Pages	36	36	

Mullions/Transoms <sup>1)</sup>			
Chapter	03 J		
140x41	1		1.
140x45	1		2.
140x46	1		3.
140x47	1		4.
Pages	4		

False mullion <sup>1)</sup>		
Chapter	03 L	
140x65	12	1.
140x66	12	2.
140x67	12	3.
Pages	36	

False mullion sash <sup>1)</sup>		
Chapter	03 M	
140x76	2	1.
140x77	2	2.
140x82	2	3.
140x84	2	4.
Pages	8	

Sash <sup>2)</sup>	
140x20	1.
140x22	2.
140x24	3.
140x26	4.
140x28	5.
140x30	6.
140x31	7.
140x33	8.
140x34	9.
140x35	10.
140x37	11.
140x38	12.

<sup>1)</sup> The profiles are sorted numerically within the chapters.

<sup>2)</sup> The sashes are sorted numerically within the profile chapters.

04	Additional profiles Refer to manual "Additional Profiles / Accessories"	Page(s)	Filename(s)
05	Accessories Refer to manual "Additional Profiles / Accessories"	Page(s)	Filename(s)
06	Reinforcement Guidelines / Statics See manual "Handling"	Page(s)	Filename(s)
07	- - - Currently not available!	Page(s)	Filename(s)
08	General Processing Guidelines See manual "Handling"	Page(s)	Filename(s)
09	Individual Handling	Page(s)	Filename(s)
09 H	Mechanical Connections	1 - 17	09_H_01_4*
09 J	Handling Thresholds / Doors	1 - 12	09_J_01_4*
09 Z	Cutting Dimensions False mullion	1 - 6	09_Z_01_4*
10	General Installation Guidelines See manual "Handling"	Page(s)	Filename(s)

Abbreviations (not all necessarily used in all profile series):

Design / Style:

(CL) Classic-line / (SL) Soft-line / (RL) Round-line / (HL) Historik-line

Profile type:

(MB) Monoblock or block profile: Frame group(s) with integrated door case

Regional profiles:

(CH) Switzerland / (NL) Netherlands

Sash position in frame:

re. recessed / s.re. semi-recessed / fl. flush



## Material properties

In compliance with the DIN EN ISO 1163 standard, aluplast uses the following uPVC molding compound as material for the profile systems:

### ISO 1163 - PVC-U, EDLP, 082-50-T28

ISO standard DIN EN ...

PVC = Polyvinyl chloride

U = plasticiser-free (hard)

E = Extrusion

D = Powder (Dry-Blend)

L = Light and weathering stabilizer

P = Impact-resistant modified

082 = 80 - 84 °C = Vicat-softening temperature

50 = >40 kJ/m<sup>2</sup> = Impact strength

T28 = 2500 - 3000 N/mm<sup>2</sup> = Modulus of elasticity (tensile modulus = tension = T)

The formulation used is free of barium and cadmium.

Other versions / consignments according to system description or on request.

## Characteristics CaZn (calcium zinc)

according to standard(s)	Description	Result	Unit
DIN EN ISO 306	Dimensional stability under heat Vicat-softening temperature VST/B 50	80 ± 2	°C
DIN EN ISO 179-1 / 1eA / 1eC / 1fC	Double-v impact strength a <sub>v</sub> (RAL-toughness) Charpy / test bar according to RAL	Ø ≥ 40 no value below 20	kJ/m <sup>2</sup> at + 23 °C
DIN EN ISO 178 / 527-1 + 527-2	Flexural modulus E / tensile modulus E	2800	N/mm <sup>2</sup>
DIN EN ISO 182-2 / DIN 53 381-1	Stability time t pH-measurement methods, oil bath / conductivity measurement methods	40 ± 6	minutes at + 200 °C

## General characteristics of uPVC

according to standard(s)	Description	Result	Unit
DIN 53752 Leitz-dilatometer	Coefficient of linear expansion from -30 °C and +50 °C	7 x 10 <sup>-5</sup>	1/K
DIN 52612-1/-2/-3 Guarded hot plate method	Thermal conductivity λ (Lambda)	0.16	W/mK
DIN 4102-1	Fire performance uPVC Flat profiles	B1	-
DIN 4102-1	Fire performance uPVC Hollow chamber profiles	B2	-
DIN EN 13501-1	Fire performance uPVC	E	-

## 1. Construction

### 1.1. Profile Design

The characteristic feature of the **aluplast** backstop gasket profile system **IDEAL 4000** with a profile depth of 70 mm is the design of all standard frame, sash, mullion and transom profiles as 3-6 chamber systems.

The multiple inner- and outermost hollow chambers guarantee optimal thermal insulation properties. Additionally, the outermost chambers allow for the concealed drainage and air equalisation of the rebates.

The large middle chambers are designed to accommodate the structurally required reinforcement profiles.

**energeto® 4000**: Profiles designed for the bonding-of-pane technology (bonding inside) and/or glass fibre reinforced profiles (powerdur inside) in part do not require additional reinforcement and allow for a slim visible frame/sash width.

### 1.2. Gasket Arrangement

Save for few exceptions, the main profiles come equipped with gaskets.  
(See also paragraph 5. Gaskets)

The frame's outer backstop gasket and the sash's inner backstop gasket optimise heat and sound insulation values and prevent the formation of condensate in the area of the fittings.

Main profiles with pre-inserted TPE backstop and glazing gaskets can be welded.

Optional (repair) gaskets are available for main profiles without integrated gasket. Insert these (repair) gaskets circumferentially and in one plane. Do not break or cut the gasket in the mitre corner.

## 2. System Range

Design: Classic-line, Soft-line and Round-line in different visible widths  
(the valid product range according to Plan of Profiles IDEAL 4000)

- Frames
- Renovation frames (with backstop and/or location groove for backstop/frame profiles)
- Block profiles (monoblock frames with integrated door case/integrated stop in different profile depths)
- Sashes (recessed, semi-recessed)
- Door sashes for residential doors (opening in- and outwards)
- Door sashes for patio doors (opening in- and outwards)
- False mullion sash (sash with integrated false mullion)
- False mullion profiles
- Mullions / Transoms

### **energeto® 4000**

- Fibre-reinforced frame (powerdur inside)
- Sash for bonding of pane (bonding inside)

### **aluskin (aluminium shells)**

(Glazing beads available in Classic-line, Soft-line, and Round-line design)

### 3. Opening Types

The **aluplast** 3-6 chamber backstop gasket profile system **IDEAL 4000** offers the adequate way of opening for each application and purpose, e.g. for renovations and new buildings both in the residential housing sector and in the administrative and industrial building sector.

Regarding the profile depth, **IDEAL 4000** can be combined with the 3-6 chamber centre gasket system **IDEAL 5000**.

- Turn windows and doors
- Tilt-and-turn windows and doors
- Top-hung and bottom-hung windows
- French casement windows and doors
- Multi-sash windows and doors with mullion and transom
- Window walls
- Round-arched and segment-bow windows
- Fixed glazing

### 4. Hardware

All sash and frame profiles have the European standard hardware groove of 16 mm and a locking axis of 13 mm.

All fittings marked with the RAL quality label from any manufacturer can be used.

The locking units are system-related and available at hardware retailers.

The type and the material of the screws used to fix the hardware (screw type) are specified by the hardware manufacturer.

Use only stainless steel screws – minimum quality V2A – to fix the aluminium components.

### 5. Gaskets

aluplast profiles are also available with integrated gaskets (for further information please refer to the valid price list).

TPE: can be welded, thermoplastic elastomer according to RAL-GZ 716/1 paragraph II  
Base profile colour / lamination / integrated gasket: see valid price list or plans of profiles

For main profiles that come **without** gaskets, (repair) glazing gaskets and (repair) backstop gaskets, made of weathering and aging resistant EPDM-material, are optionally available in papyrus white or black. They are made of aging and weather resistant EPDM (APTK) material.

EPDM: cannot be welded, moulding compound according to DIN 7863

Gaskets must be inserted circumferentially and butt-jointed in the upper cross-piece of the frame or sash. It is not necessary to cut the gasket in the mitre corner.

## 6. Glazing

All customary single-layer glasses, insulating glasses and door panels can be installed.

Install the glazing with pre-assembled sealing profiles (dry glazing).

Applicable theoretical glazing thickness:

Standard: up to 41mm

## 7. Reinforcements and Aluminium Profiles

Depending on the window dimensions and structural requirements, cold-rolled, galvanised steel profiles must be inserted into frames, sashes, and mullions or transoms for reinforcement, provided that the profiles have suitable reinforcement chambers or another option for reinforcement.

Material:

Hollow profiles Band EN 10142 DX51D+Z275 NA-C

Open profiles Band EN 10142 DX51D+Z275 NA-C

Corrosion protection zinc coating according to DIN EN 10326

For inside reinforcements, the minimum zinc coating is 150g/m<sup>2</sup>

For outside reinforcements, the minimum zinc coating is 275g/m<sup>2</sup>

Aluminium profiles: AlMgSi

Use only stainless steel screws – minimum quality V2A – to fix the aluminium components.

## 8. Lamination and Colours

The profiles are available as laminated profiles. For further information on the available colour range, please refer to the valid price or lamination foil list.

The base profile colour is white, similar to RAL 9016, or brown (in case of laminated profiles), similar to RAL 8019.

## 9. Care and Maintenance

PVC window profiles can be cleaned easily using commercially-available mild cleansing agents. Do not use solvents or abrasive cleansing agents.

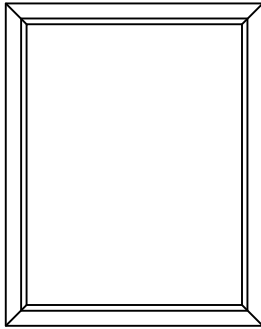
Lubricate the hardware parts as specified by the hardware manufacturer.

Refer also to **Chapter 10 R Cleaning, 10 S Maintenance, and 10 T Ventilation.**

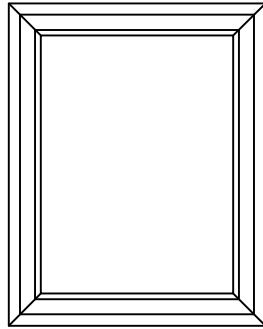
Here you will find further information and cleaning agents recommended by aluplast.

## 10. Window Material

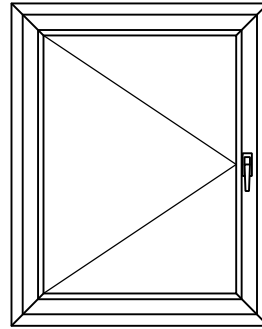
Refer to **Chapter 01 A Material Properties**



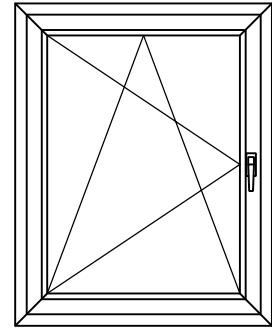
fixed glazing in frame



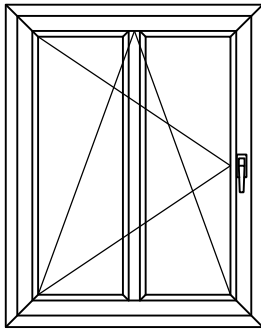
fixed glazing in sash



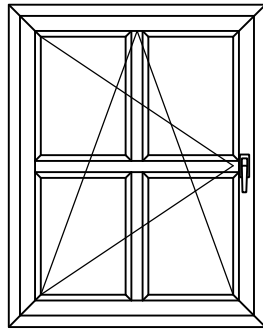
single opening window



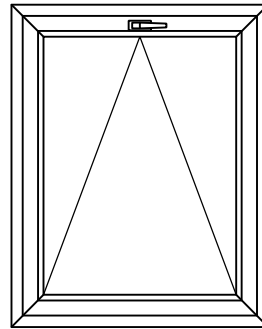
tilt + turn window



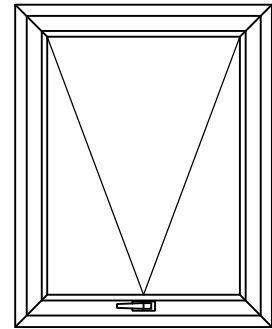
tilt + turn window with transom



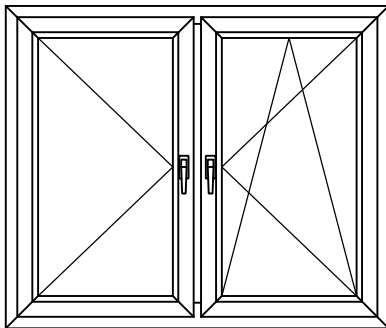
tilt + turn window with cross transom



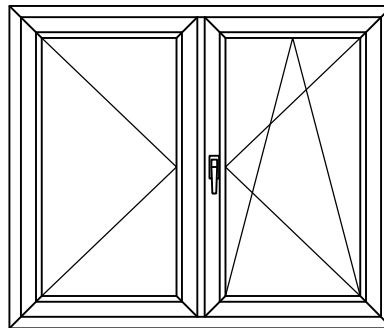
bottom-hung window



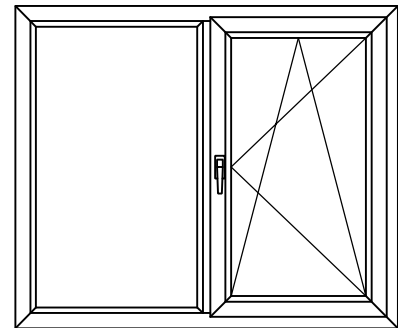
top-hung window



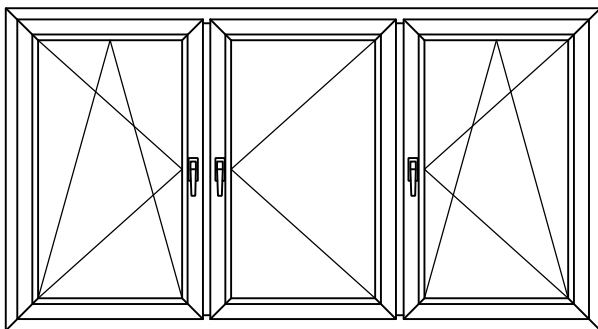
double sash window, single opening / tilt + turn



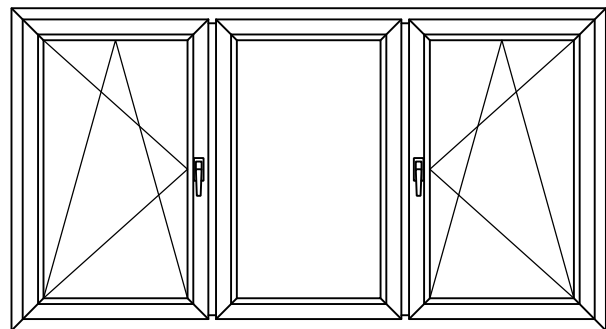
french casement window, single opening / tilt + turn



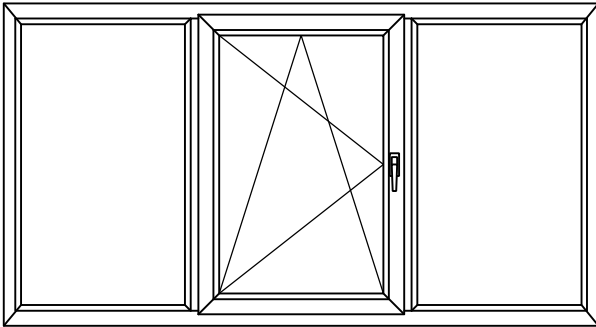
fixed glazing in frame / tilt + turn



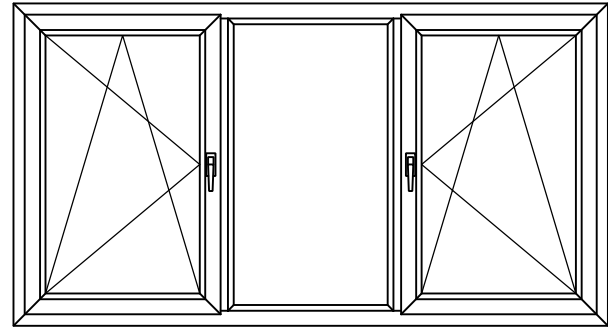
triple sash window, tilt + turn / single opening / tilt + turn



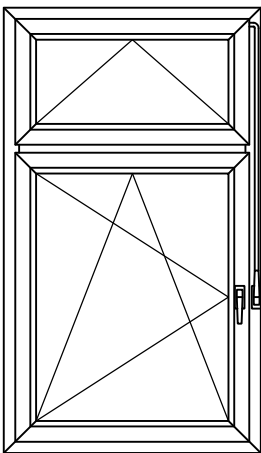
triple sash window, tilt + turn / fixed glazing in sash / tilt + turn



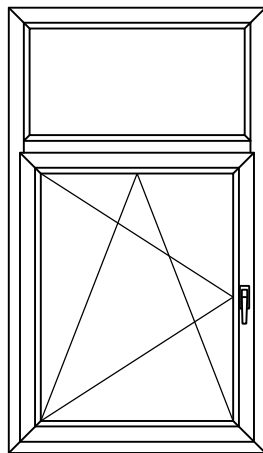
tripartite window, fixed glazing in frame / tilt + turn / fixed glazing in frame



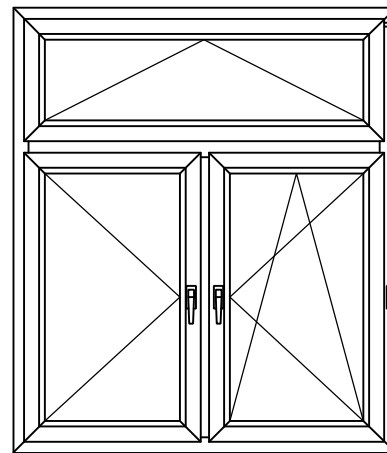
tripartite window, tilt + turn / fixed glazing in frame / tilt+ turn



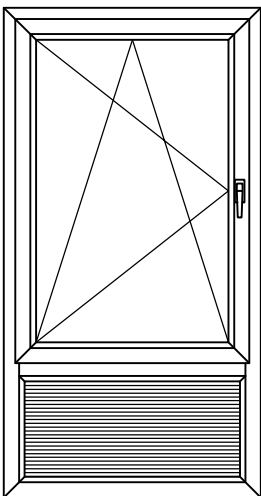
tilt + turn window with bottom-hung fanlight



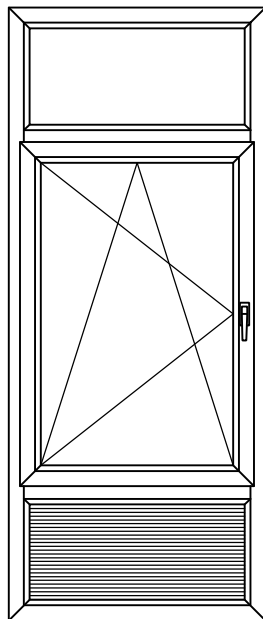
tilt + turn window with fixed fanlight



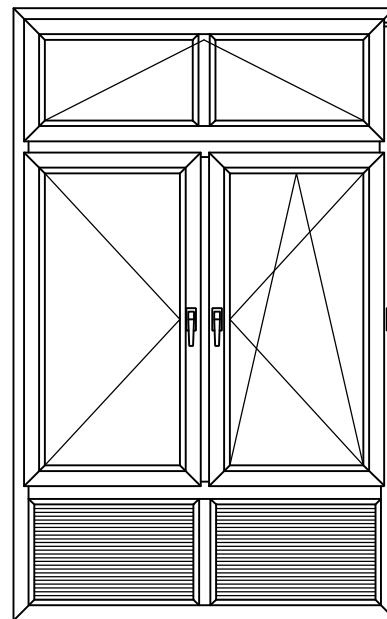
double sash window single opening / tilt + turn, bottom-hung fanlight



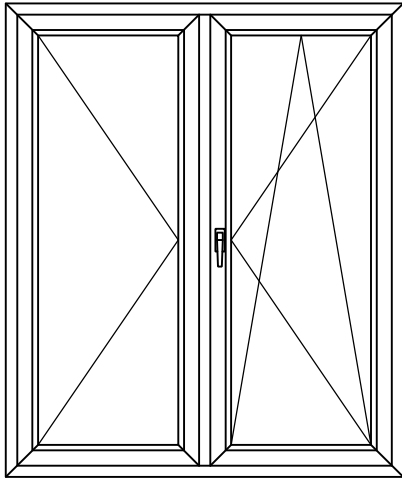
tilt + turn window with parapet



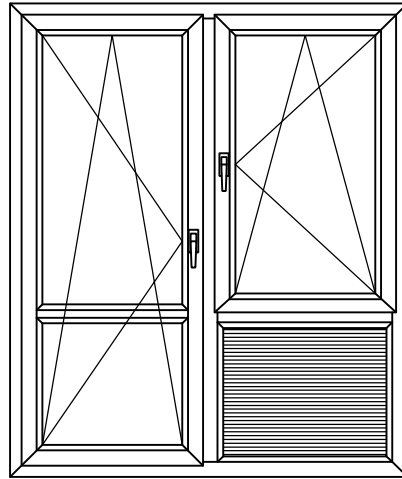
tilt + turn window with parapet and fixed fanlight



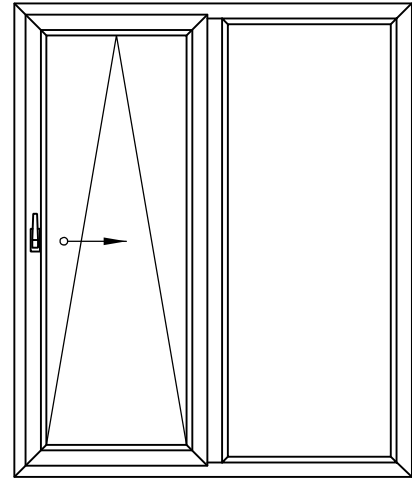
double sash window single opening / tilt + turn, bottom-hung fanlight with transom and parapet with transom



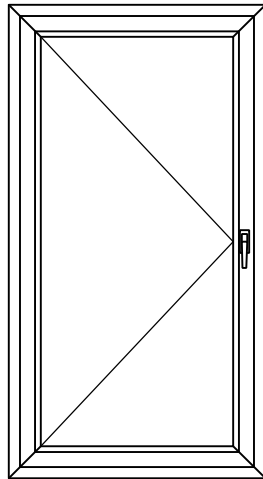
french casement door, single opening / tilt + turn



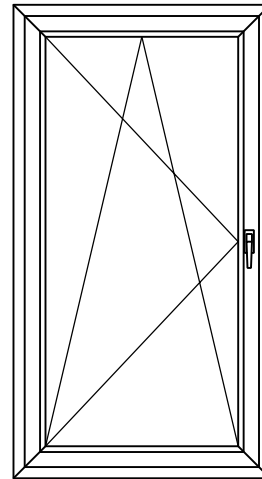
tilt + turn door with transom and tilt + turn window with parapet



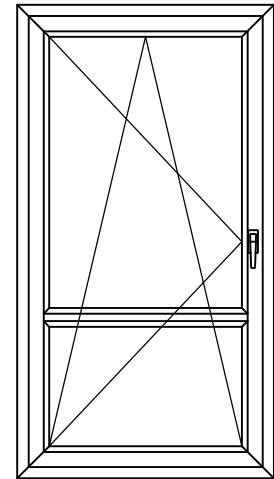
parallel tilt-/ lift + slide door with fixed glazing element



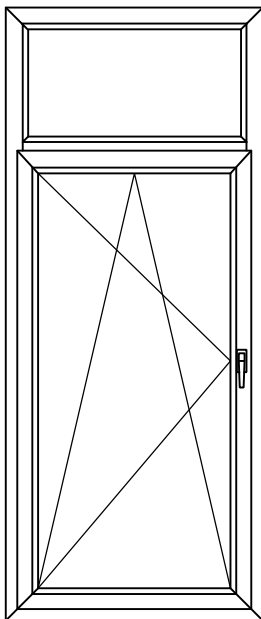
single opening door



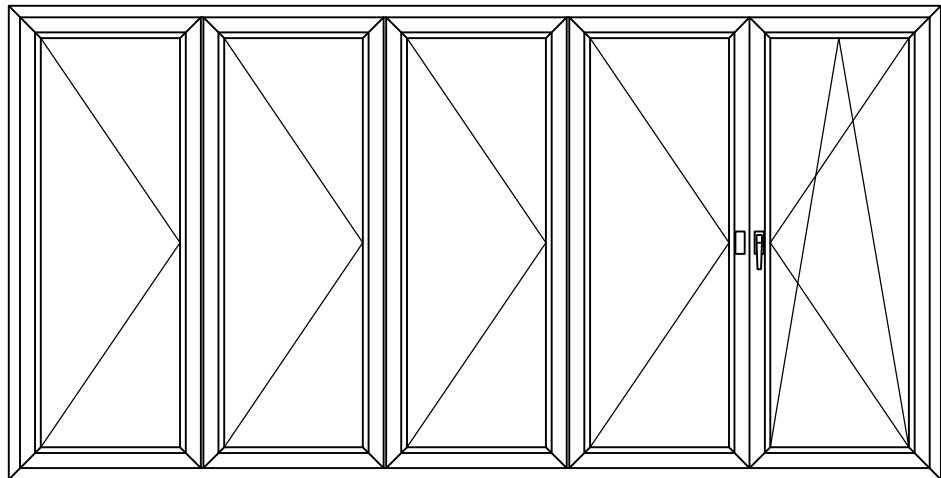
tilt + turn door



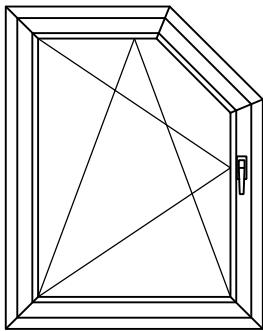
tilt + turn door with transom



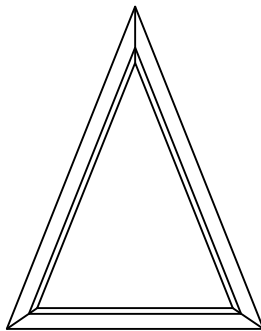
tilt + turn door with fanlight with fixed glazing



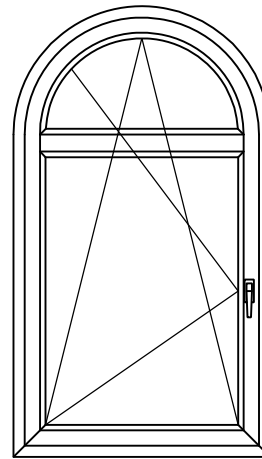
four sash fold + slide door: three folding sashes / one tilt + turn -> backstop gasket systems (hardware-dependent)



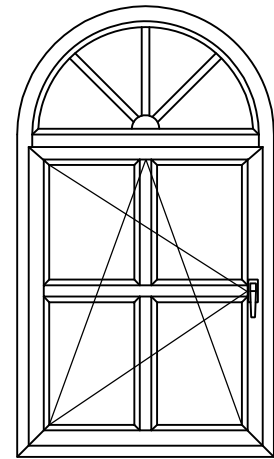
tilt + turn window with oblique corner



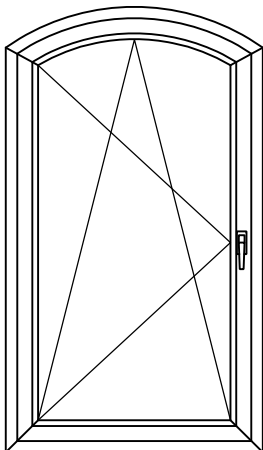
triangular window with fixed glazing



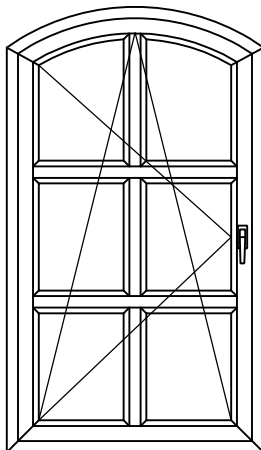
round arched window, tilt + turn with transom



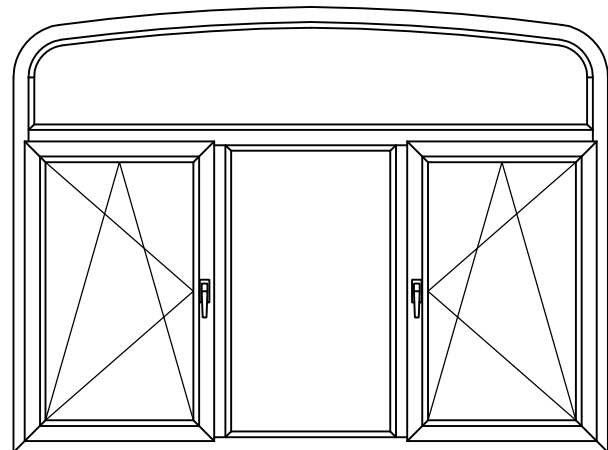
round arched window, tilt + turn with cross transom and fixed fanlight



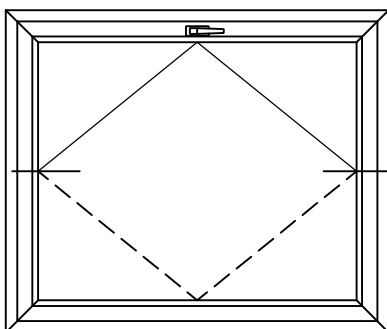
segment bow window tilt + turn



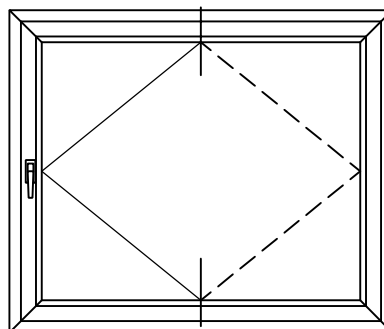
segment bow window tilt + turn with cross transom



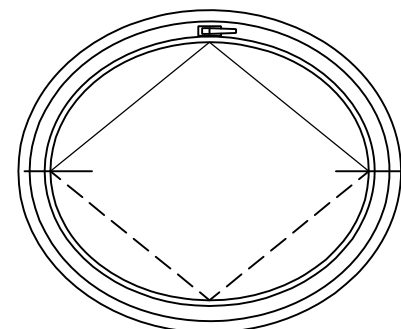
segment bow window with fixed fanlight: tilt + turn / fixed glazing in frame / tilt + turn



pivot window -> backstop gasket systems

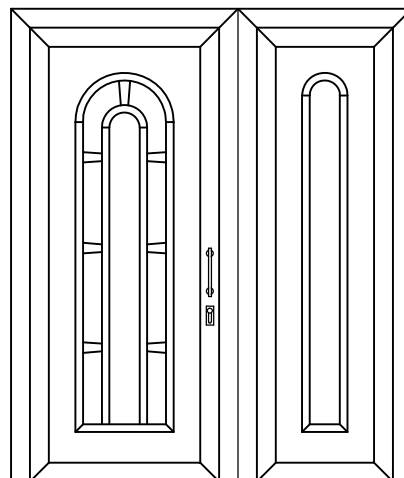
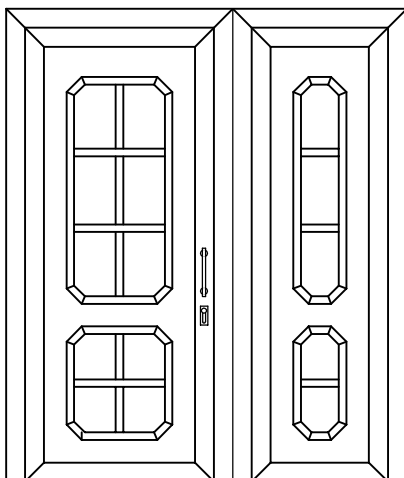
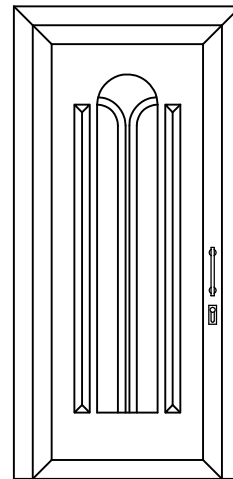
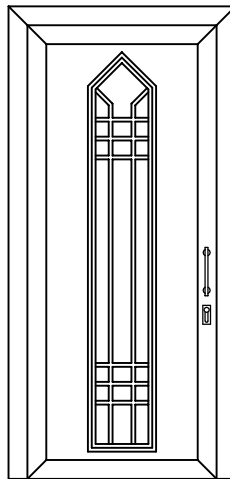
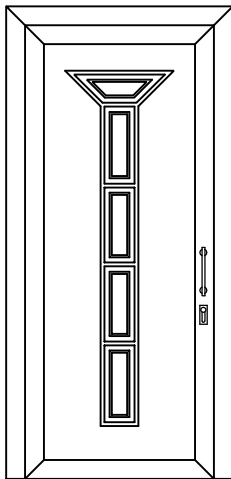
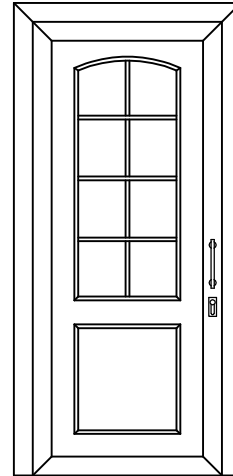
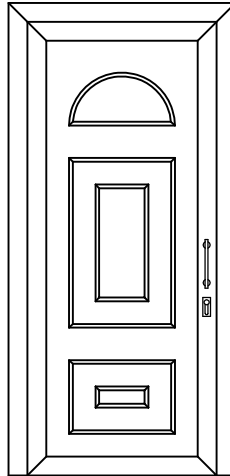
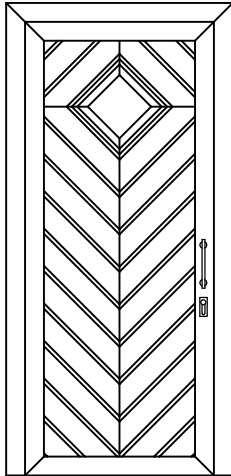


(vertical) pivot window -> backstop gasket systems



oval pivot window -> backstop gasket systems





Note: The suitability as residential door depends on the system used.

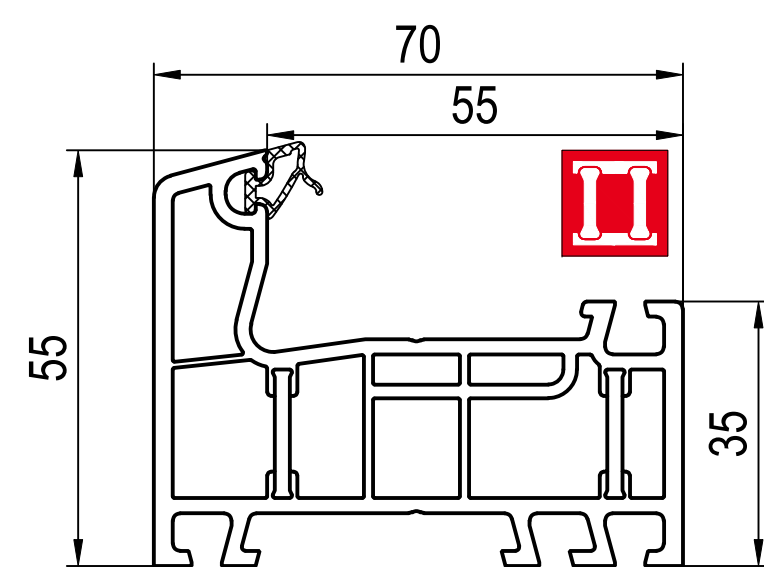
Scale ~

01\_H\_01\_IDEAL\*

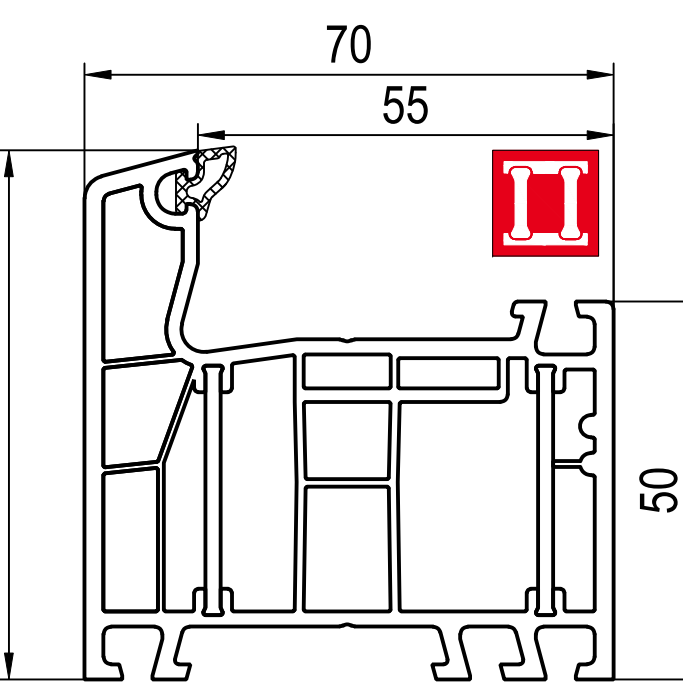
en May be subject to change and errors excepted!



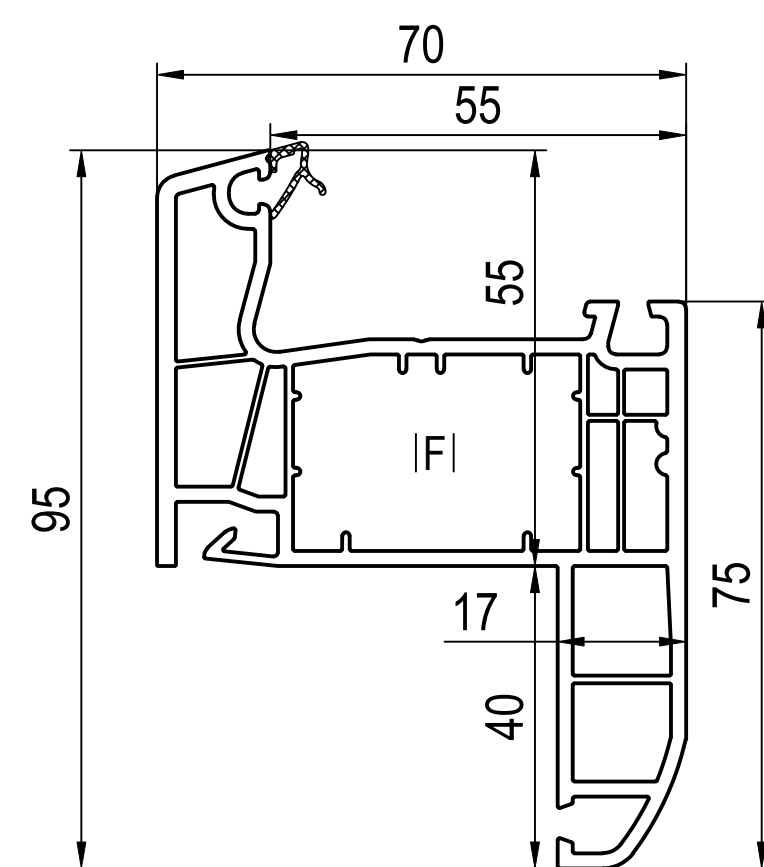
Main Profiles  
Frame



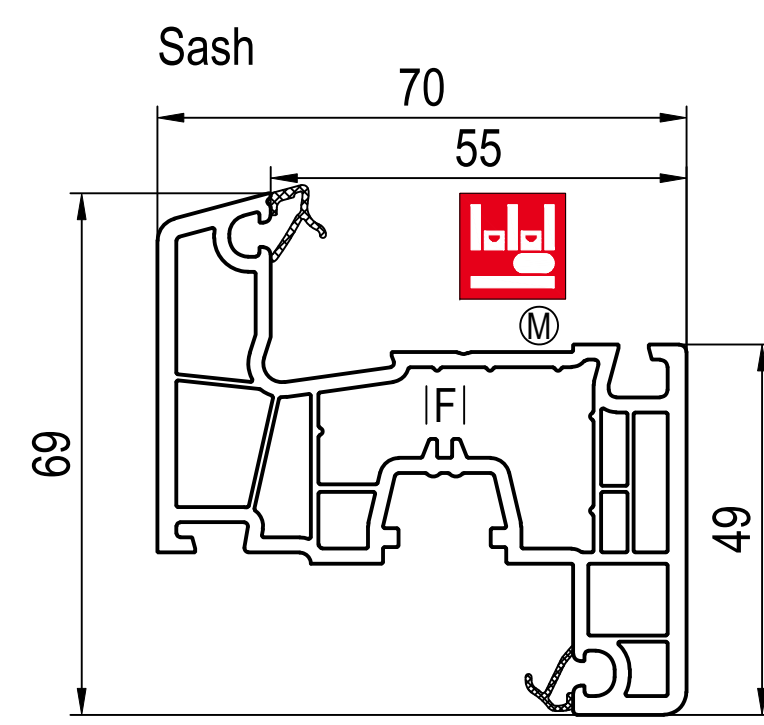
040x02 (CL)  
AI 640301, 640311, 640320  
PI 259304  
QI 227300, 227303, 227305  
UI 249058, 249060, 269060  
VI 646022 + IXI 446071



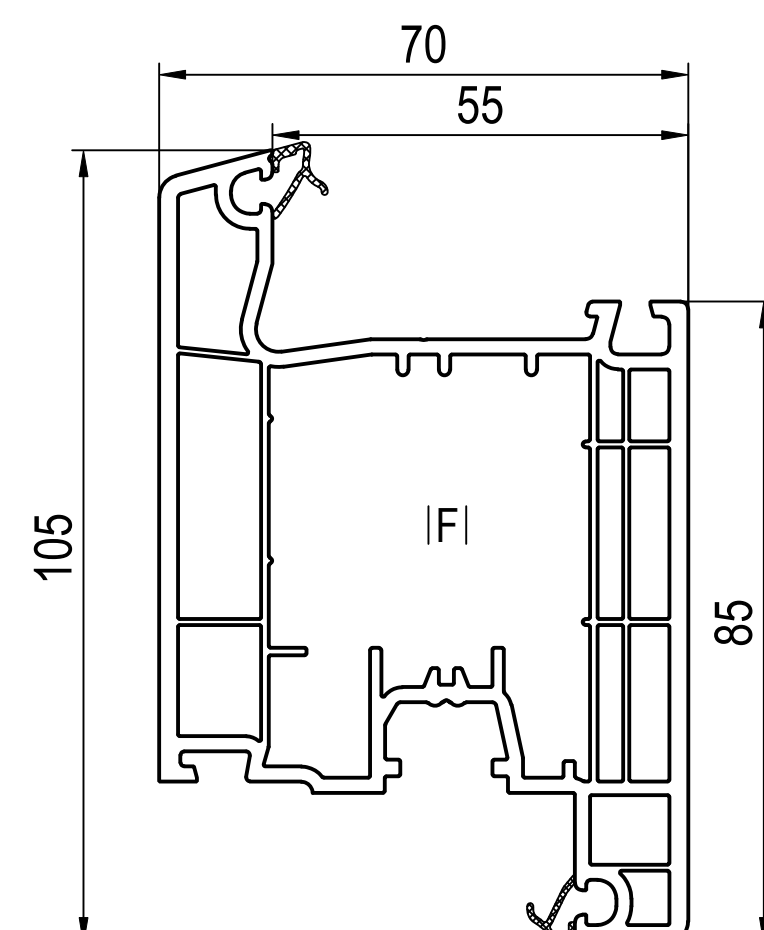
040x07 (CL)  
AI 640301, 640311, 640320  
PI 249312, 259304  
QI 227300, 227303, 227305  
UI 249058, 249060, 269060  
VI 646071 + IXI 446071



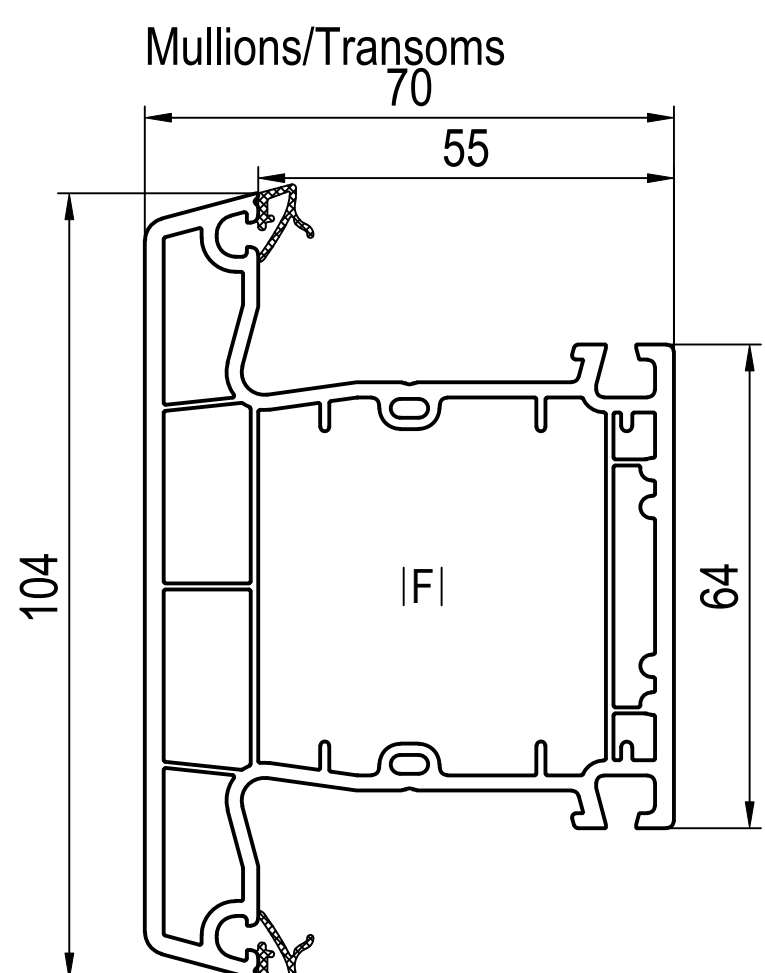
140x05 (CL)  
AI 640301, 640311, 640320  
FI 229098, 229100, 229101, 249004  
PI 259304  
QI 227300, 227303, 227305



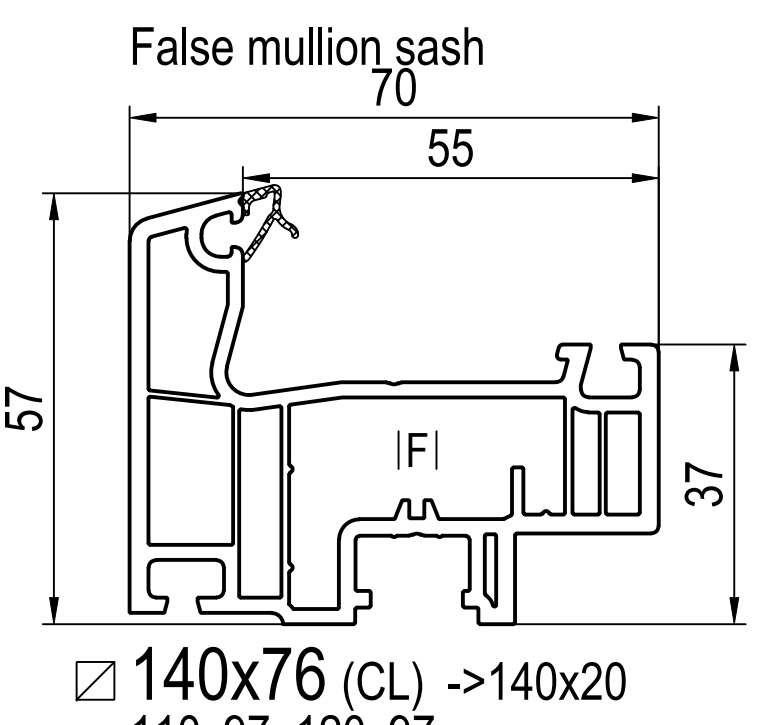
140x24 (CL)  
AI 650250, 650252, 655251  
or UI JI  
FI 259024, 259028  
UI 642261, 642262, 642263, 646265, 646266  
PI 249424



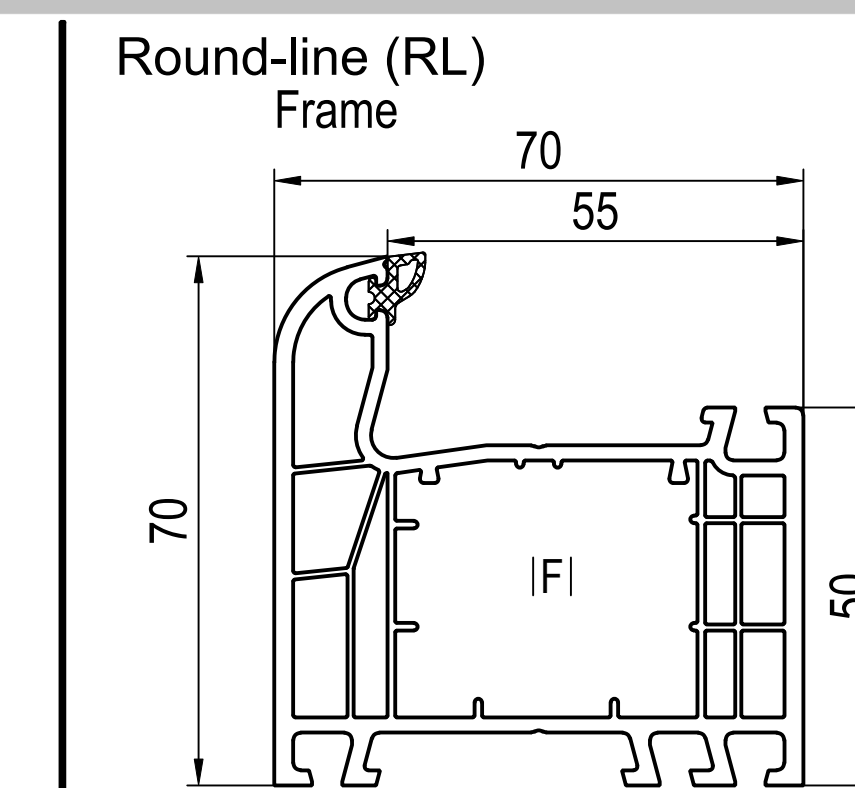
140x30 (CL) ->140x77  
AI 640301, 640311, 640320  
FI 229114, 229115, 249031  
PI 249460



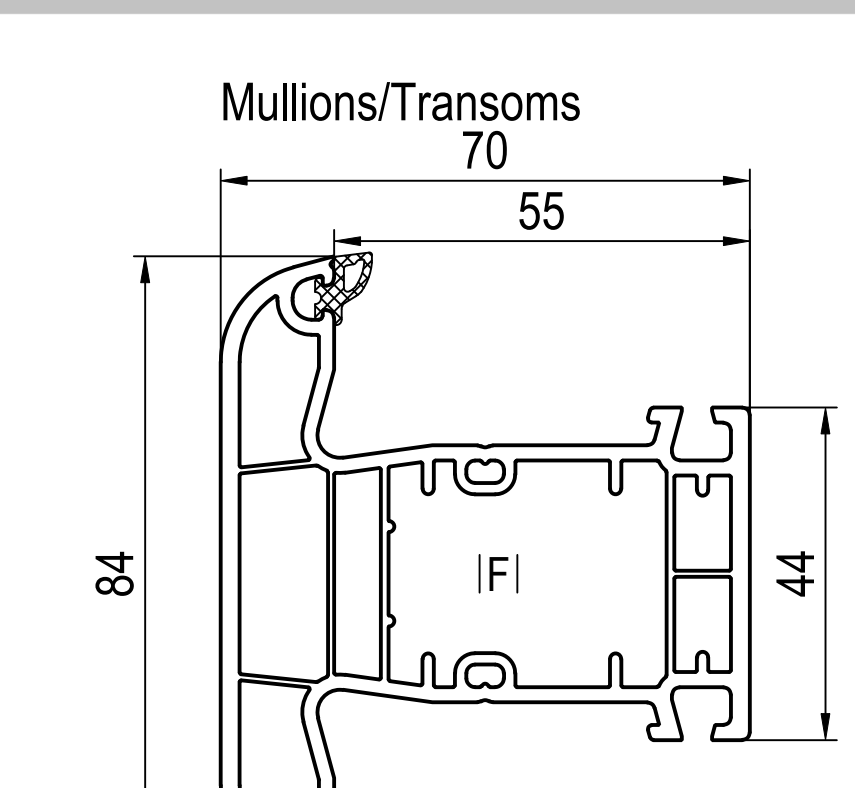
140x45 (CL)  
AI 640301, 640311, 640320  
UI 647245 ~ UI ...  
DI 677133 DI 647136, 677103 ~140x4x ...  
DI 640046 ~ universal  
FI 249034, 249035  
PI 249343  
UI 249058, 249060, 269060  
MI 646075



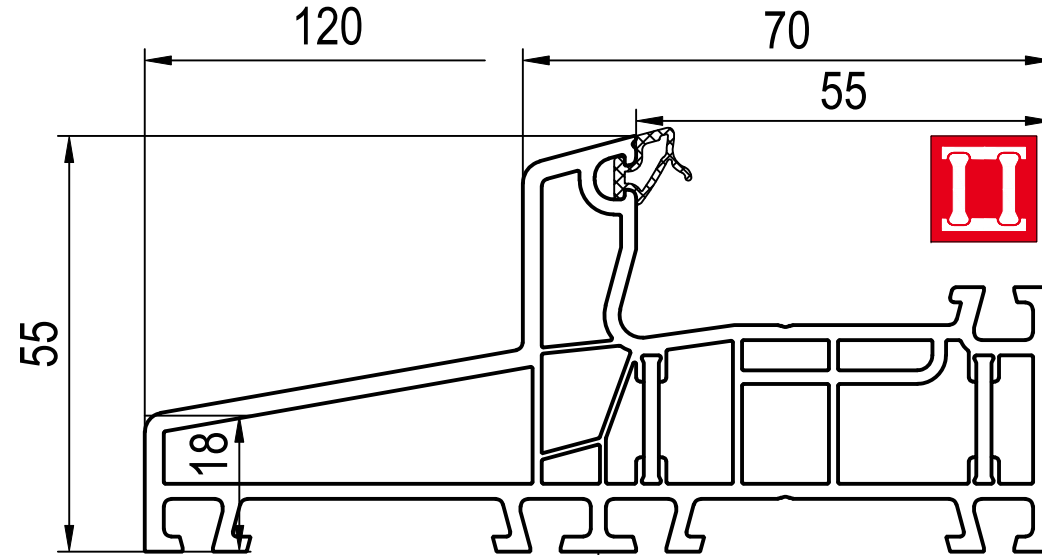
140x76 (CL) ->140x20  
110x97, 120x97  
AI 640301, 640311, 640320  
CI 640082  
FI 229027, 229028



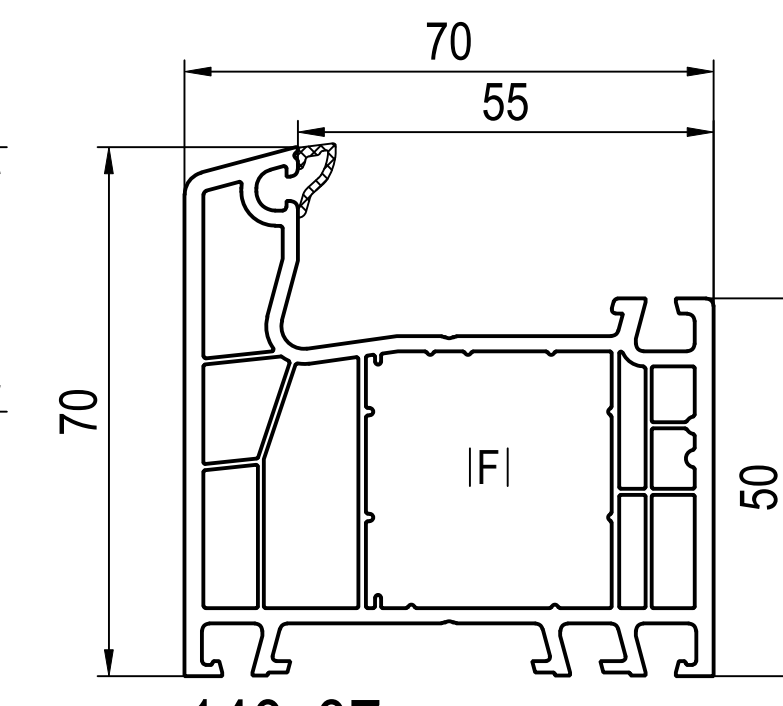
140x08 (RL)  
AI 640301, 640311, 640320  
FI 229023, 229024, 229025, 229026, 229029, 229030, 229112, 229113, 229121, 249026  
QI 247300  
UI 249058, 249060, 269060  
VI 646070 + IXI 446071



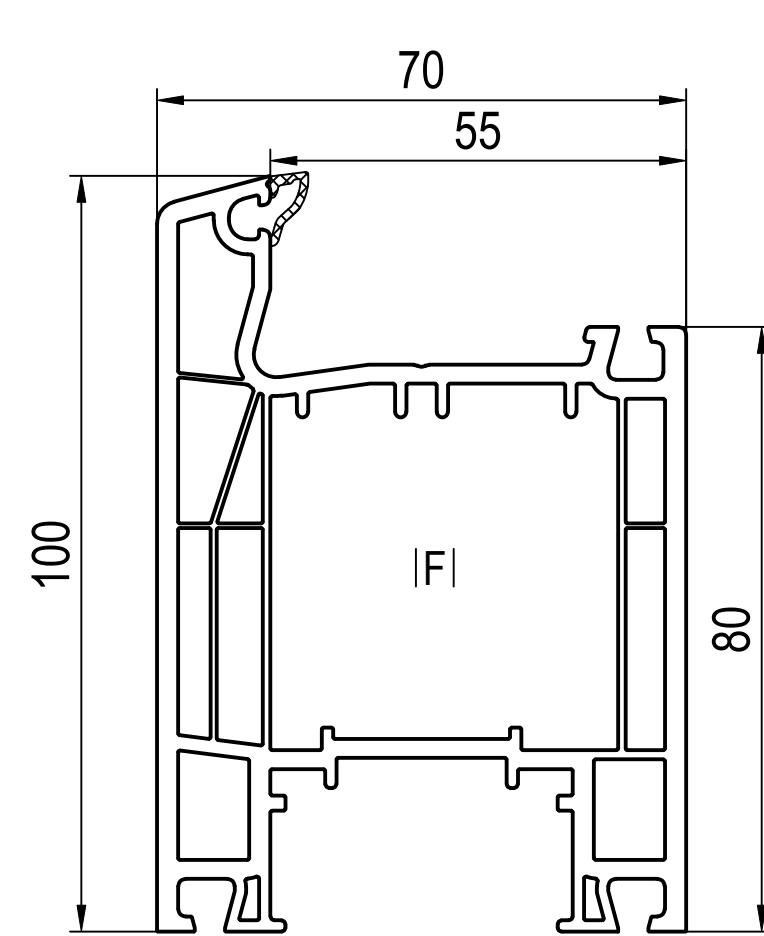
140x47 (RL)  
AI 640301, 640311, 640320  
DI 647241 ~ UI ...  
DI 647131, 649131, 647132 ~140x4x ...  
DI 647101, 649101, 647102 ~140x4x ...  
DI 620046 ~ universal  
FI 229098, 229100, 229101  
UI 249058, 249060, 269060  
MI 646073



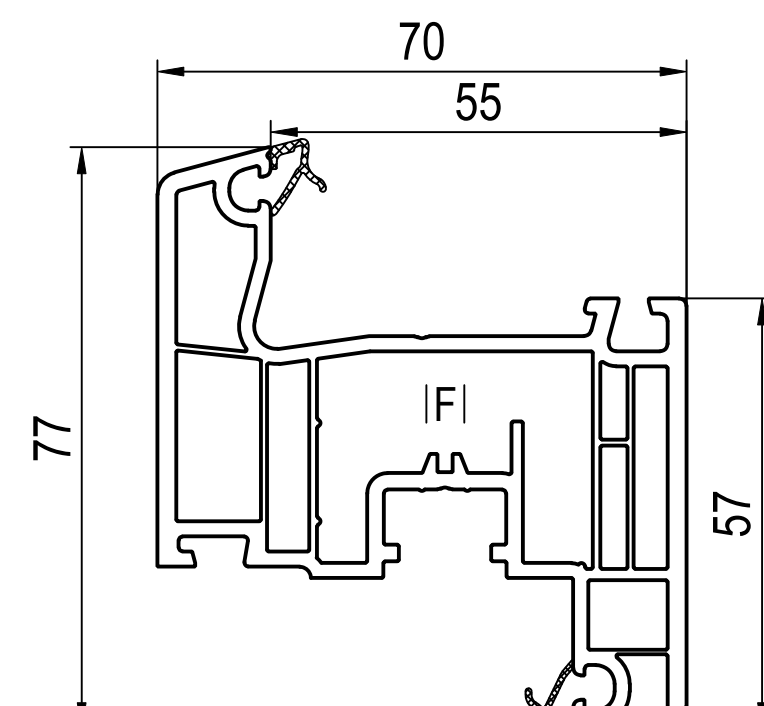
040x92 (CL)(MB)  
AI 640301, 640311, 640320  
QI 227300, 227303  
UI 249058  
VI 646079



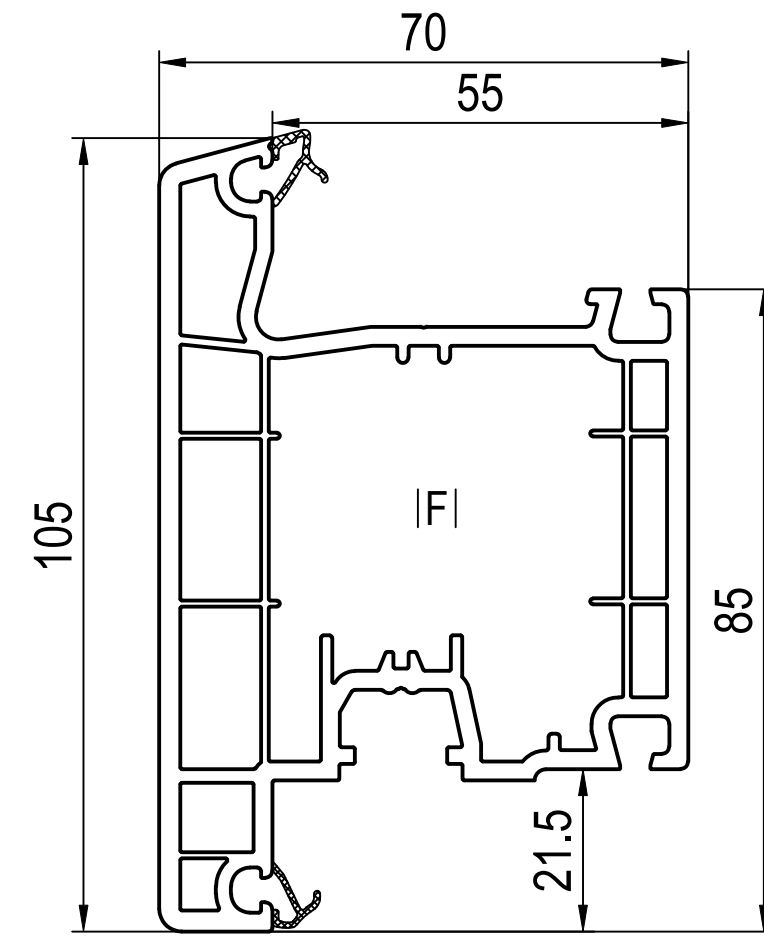
140x07 (CL)  
AI 640301, 640311, 640320  
FI 249014, 249015, 249016  
PI 249312, 259304  
QI 227300, 227303, 227305  
UI 249058, 249060, 269060  
VI 646071 + IXI 446071



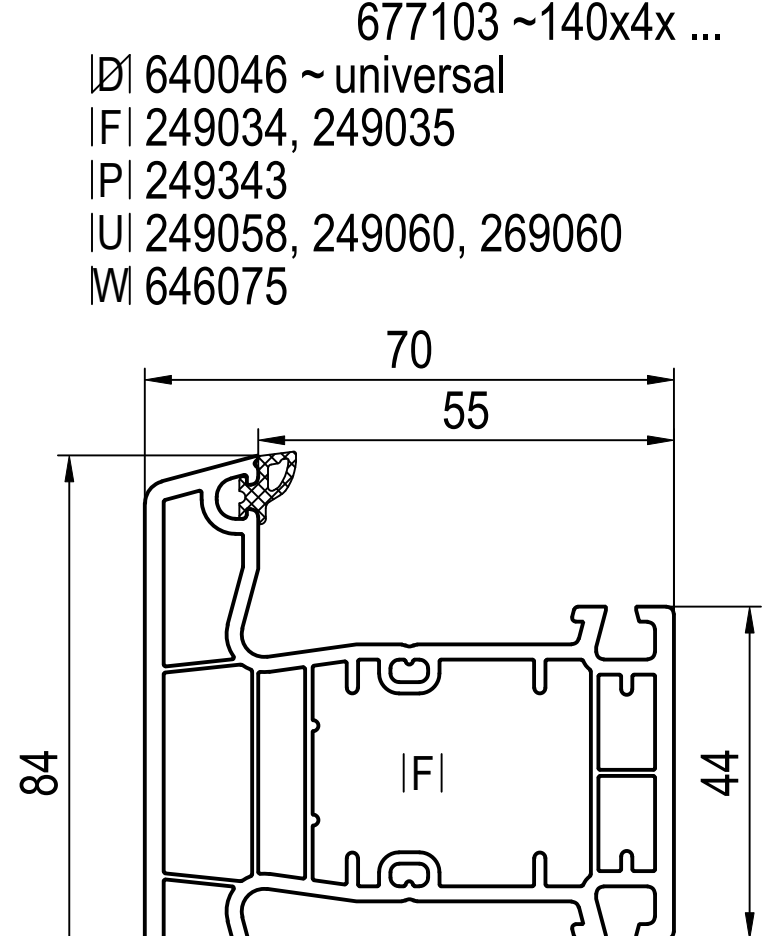
140x81 (CL)  
AI 640301, 640311, 640320  
FI 249034, 249035  
QI 227300, 227303, 227305  
PI 249314, 259304  
UI 249058, 249060, 269060  
VI 646078



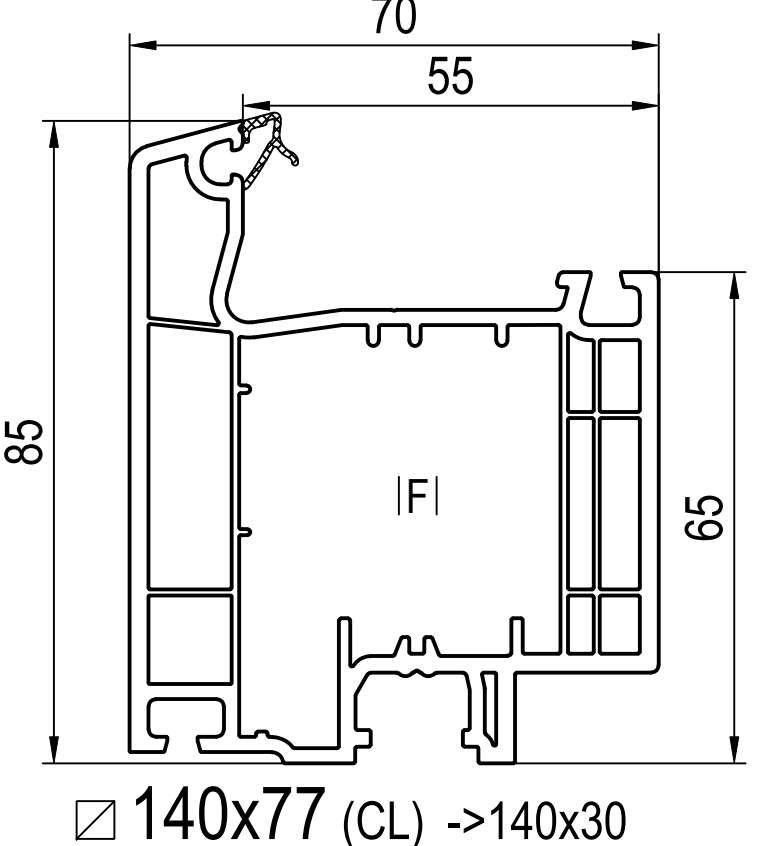
140x20 (CL) ->140x76  
AI 640301, 640311, 640320  
FI 229023, 229024, 229025, 229026, 229027, 229028, 249026  
PI 249450



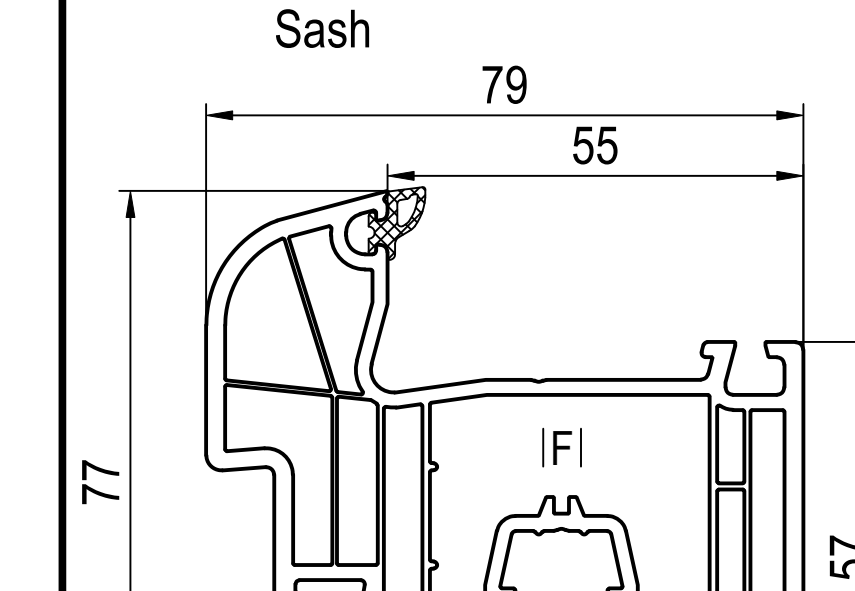
140x31 (CL)  
AI 640301, 640311, 640320  
FI 229114, 229115, 249013, 249031



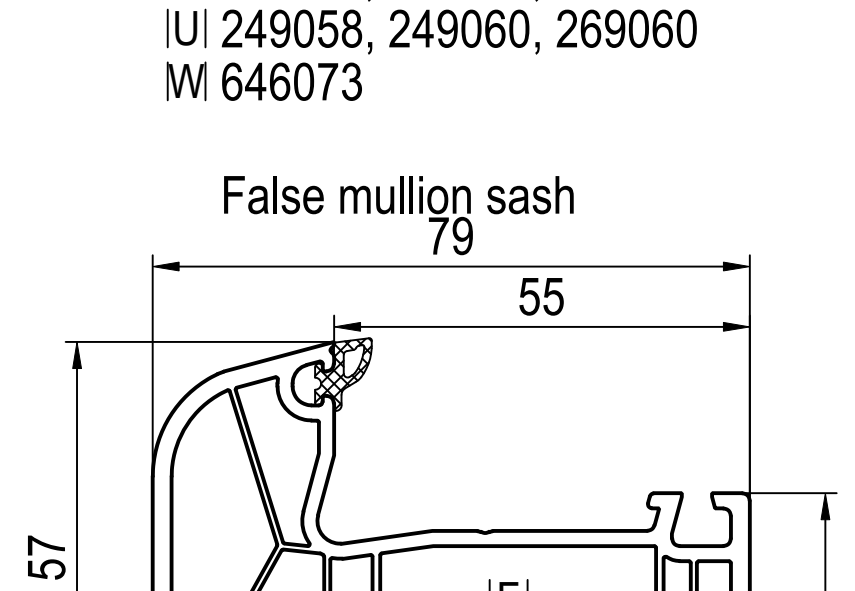
140x41 (CL)  
AI 640301, 640311, 640320  
UI 647241 ~ UI ...  
DI 647131, 649131, 647132 ~140x4x ...  
DI 647101, 649101, 647102 ~140x4x ...  
DI 620046 ~ universal  
FI 229098, 229100, 229101  
PI 249341  
UI 249058, 249060, 269060  
MI 646074



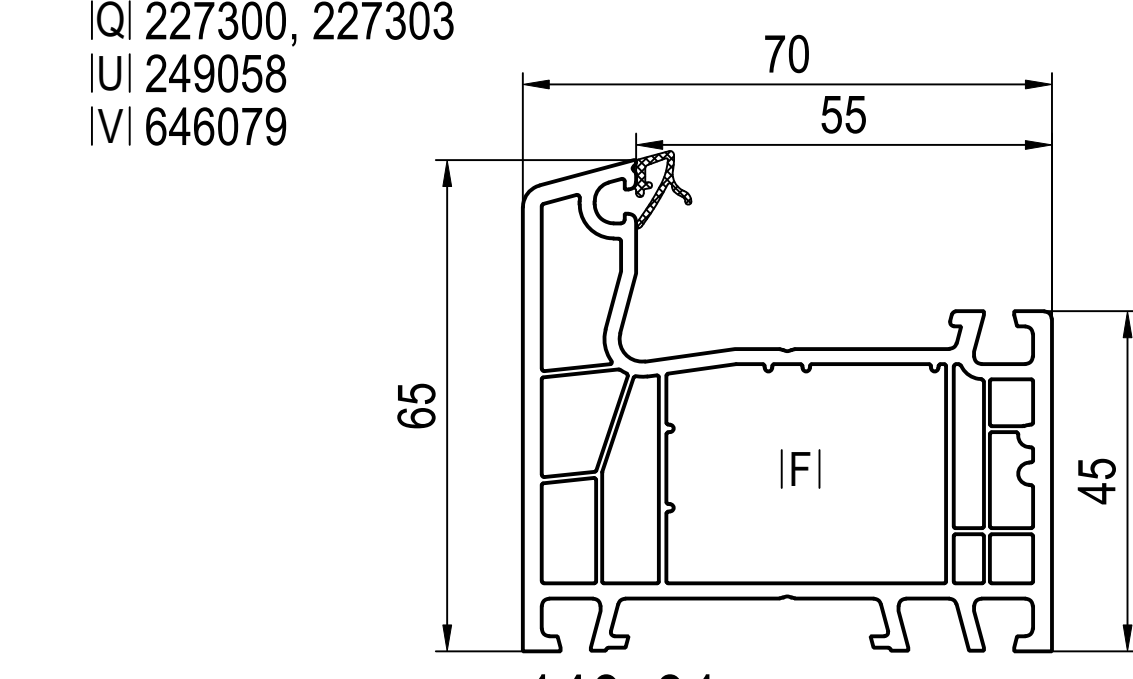
140x77 (CL) ->140x30  
110x97, 120x97  
AI 640301, 640311, 640320  
CI 640082  
FI 229114, 229115, 249031



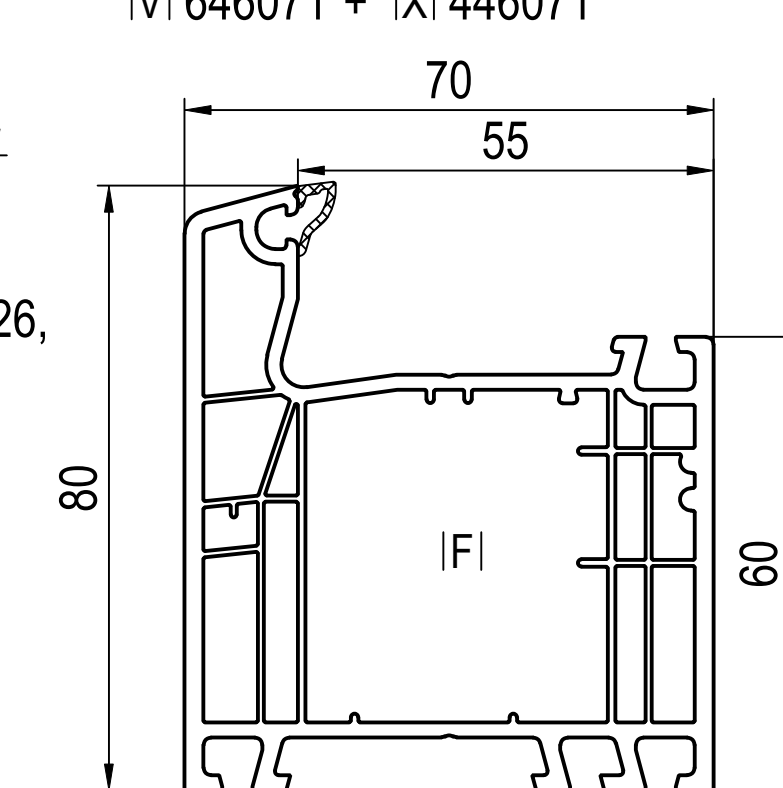
140x22 (RL) ->140x82  
AI 640301, 640311, 640320  
FI 229023, 229024, 229025, 229026, 249026



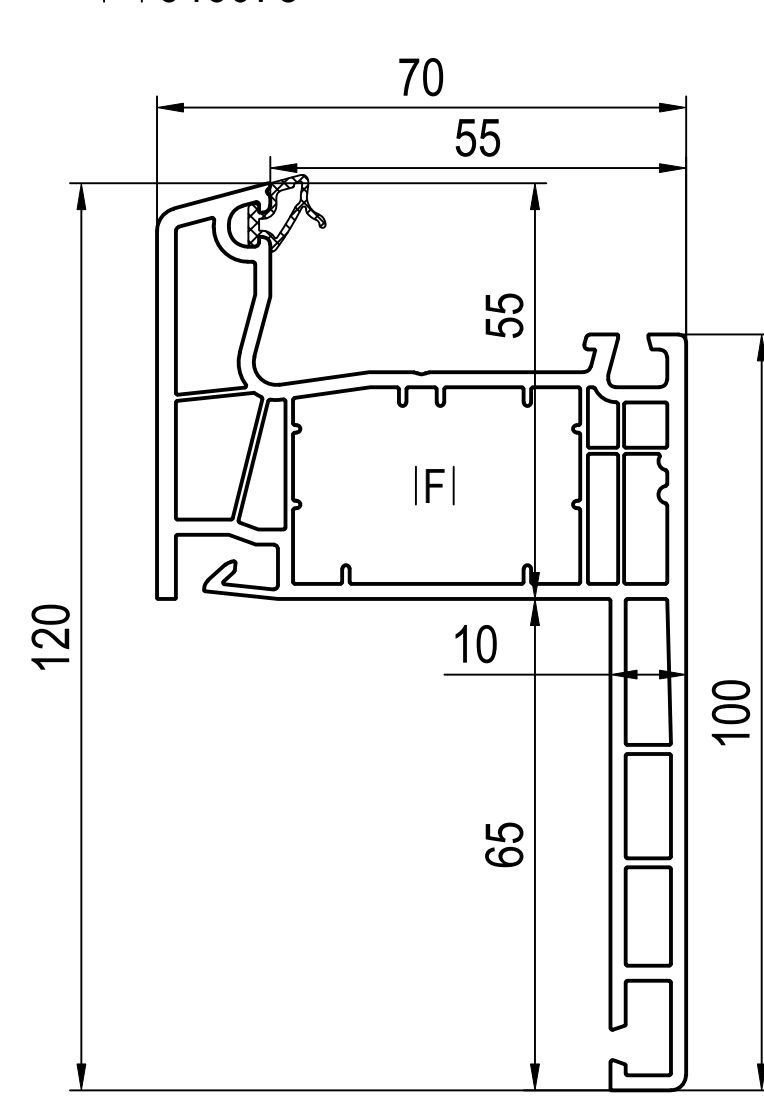
140x82 (RL) ->140x22  
110x97, 120x97  
AI 640301, 640311, 640320  
CI 640082  
FI 229027, 229028



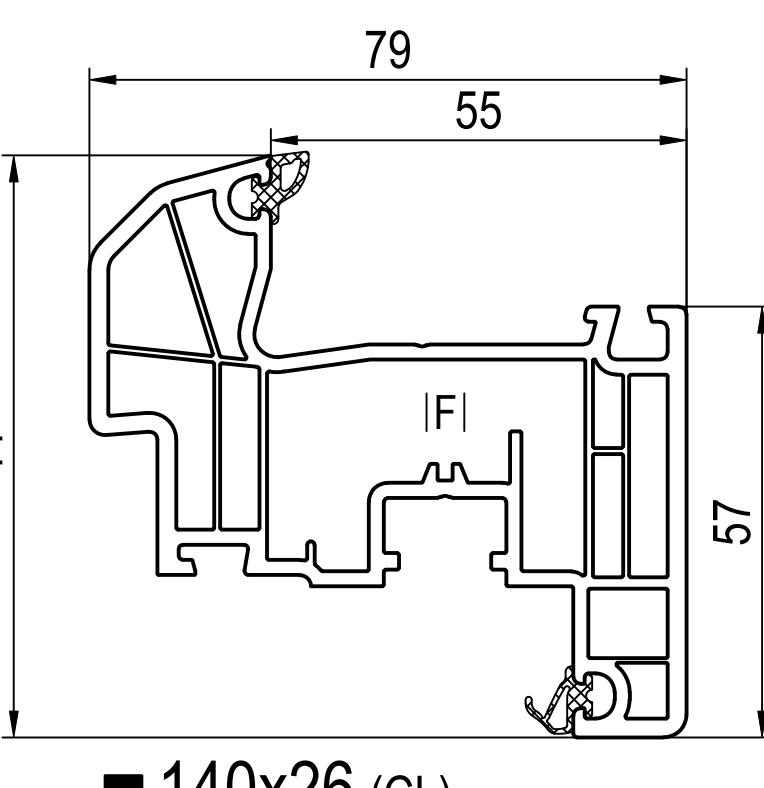
140x01 (CL)  
AI 640301, 640311, 640320  
FI 229023, 229024, 229025, 229026, 229029, 229030, 249026  
PI 259304  
QI 227300, 227303, 227305



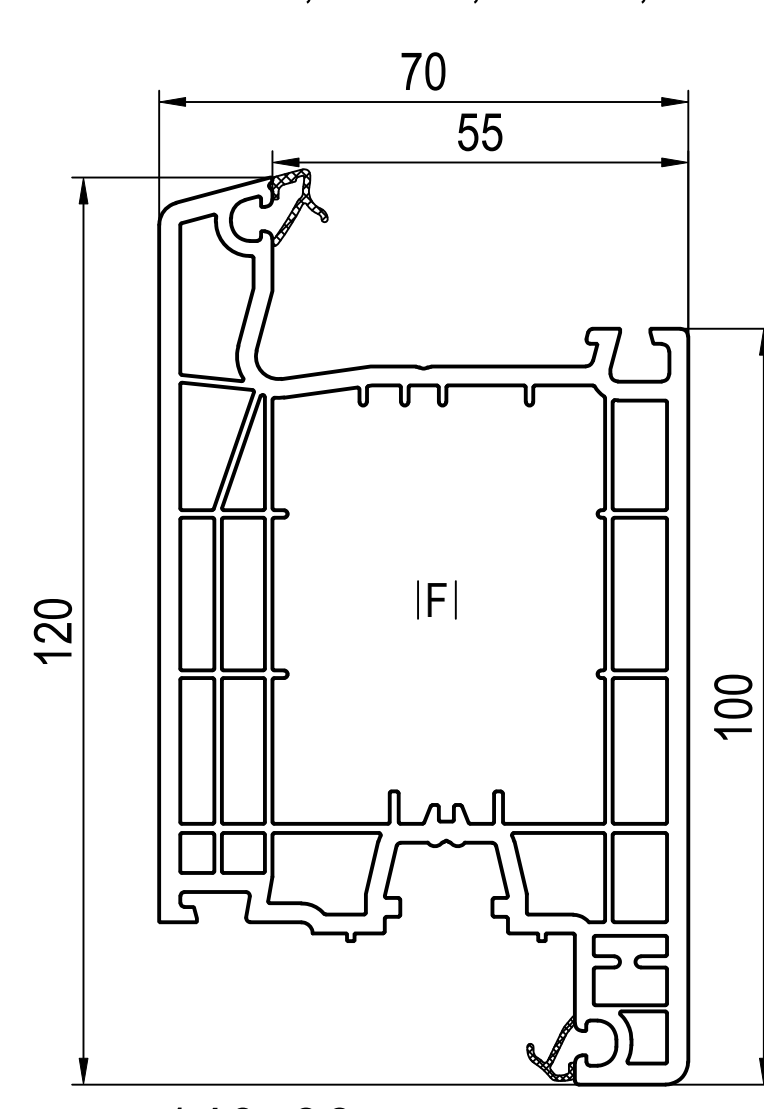
140x03 (CL)  
AI 640301, 640311, 640320  
FI 229017, 229114, 229115, 229120  
PI 249313, 259304  
QI 227300, 227303, 227305  
UI 249058, 249060, 269060  
VI 646072 + IXI 446071



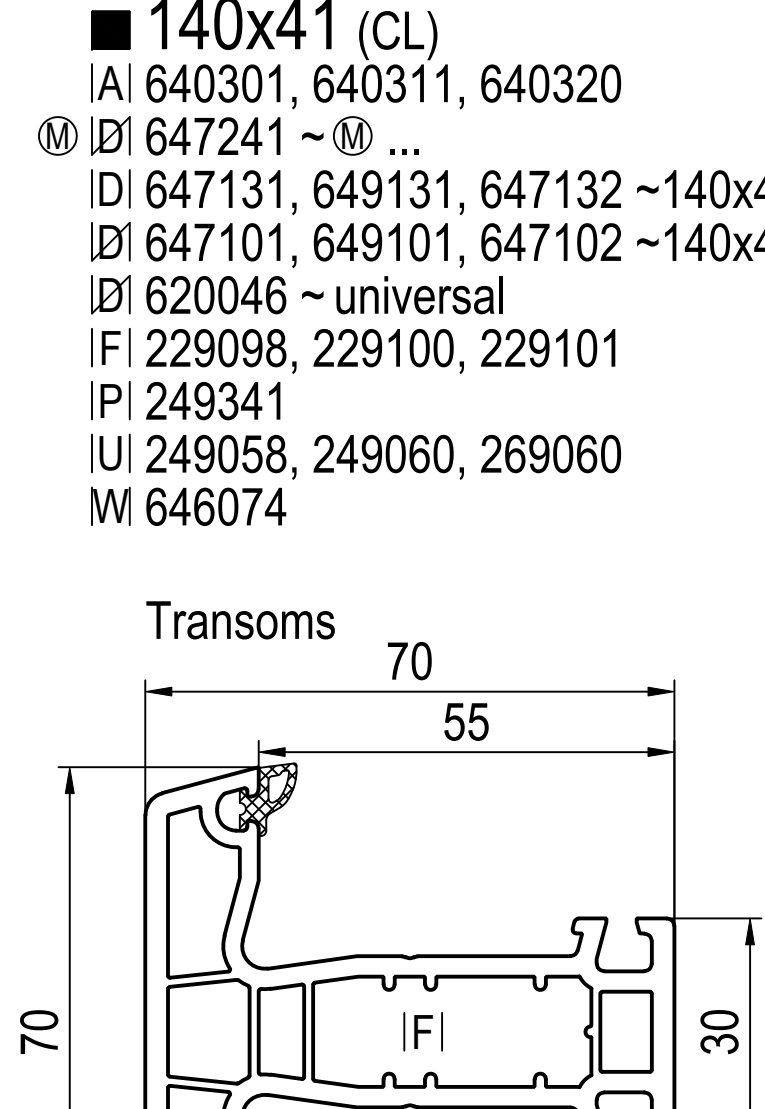
140x09 (CL)  
AI 640301, 640311, 640320  
FI 229098, 229100, 229101, 249004  
PI 259304  
QI 227300, 227303, 227305



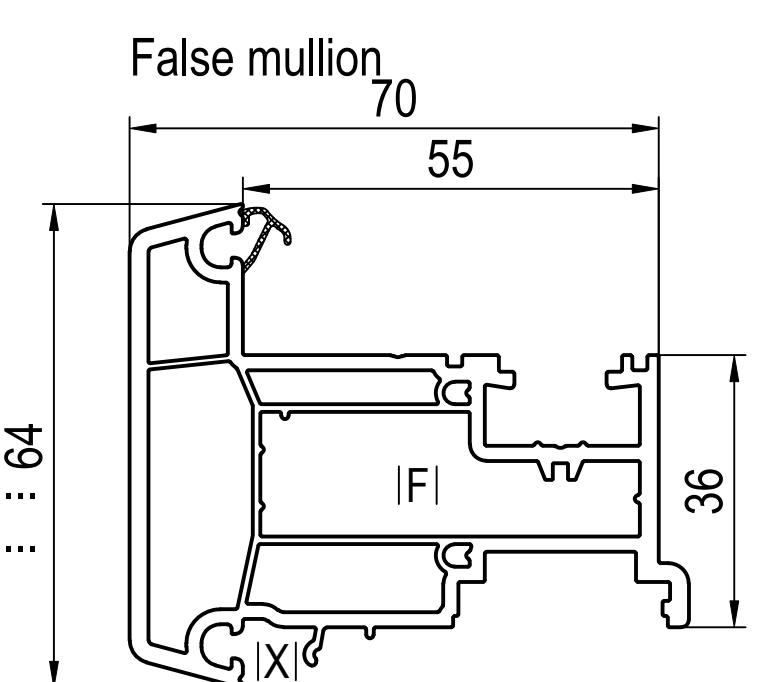
140x26 (CL)  
AI 640301, 640311, 640320  
FI 229023, 229024, 229025, 229026, 229027, 229028, 249026



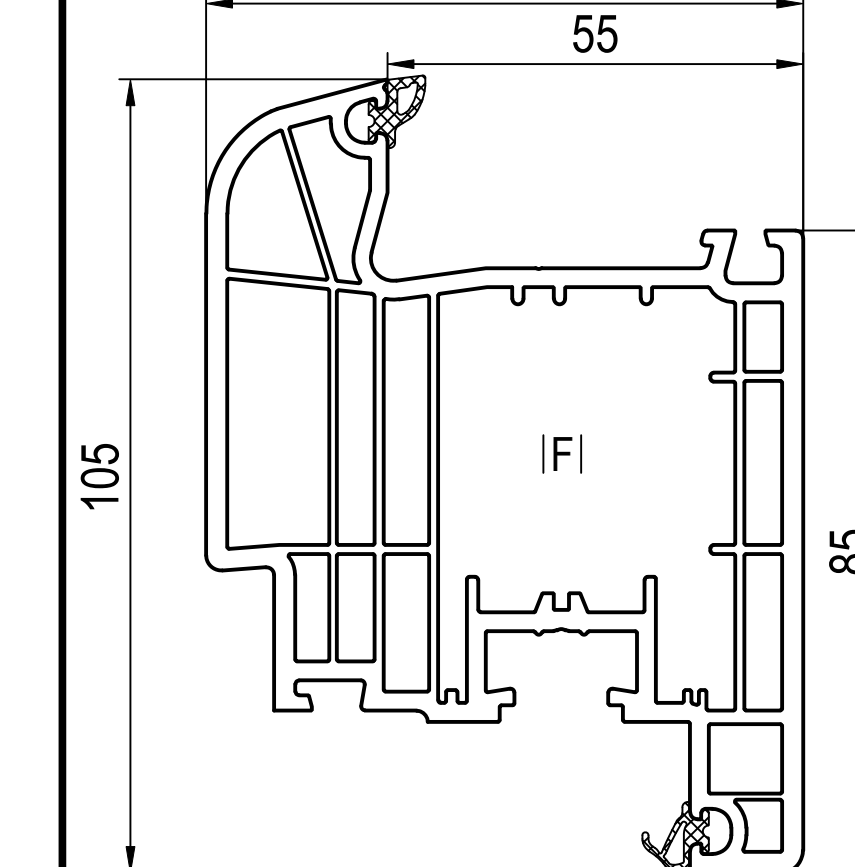
140x33 (CL)  
AI 640301, 640311, 640320  
FI 229125, 229126, 229129, 229131  
PI 249433



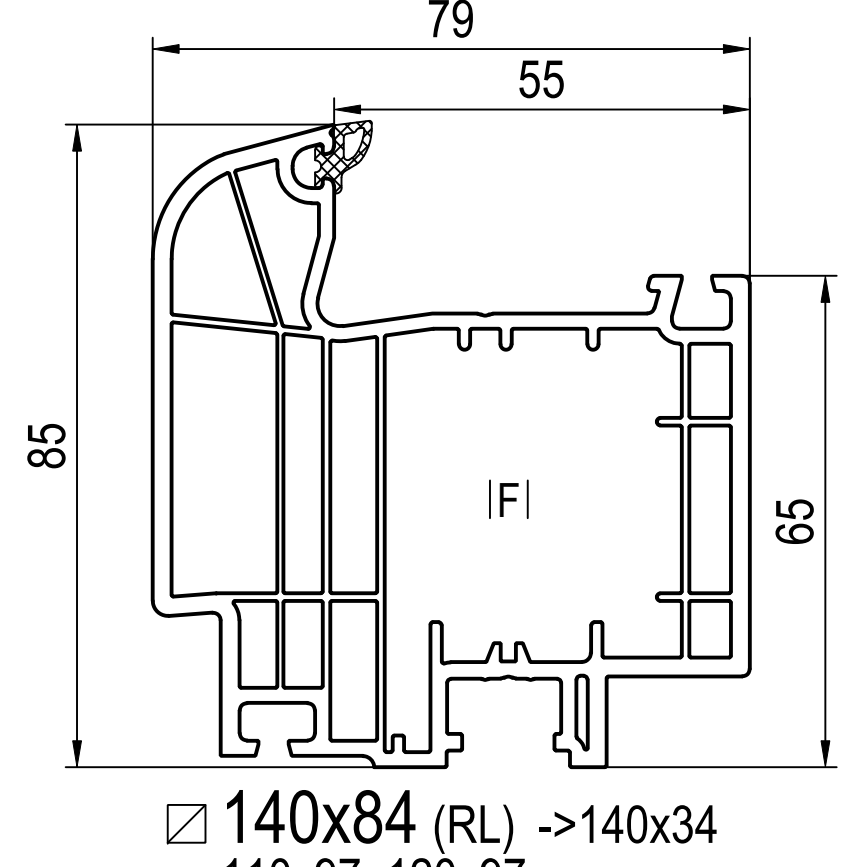
140x46 (CL)  
AI 640301, 640311, 640320  
UI 647246 ~ UI ...  
DI 647105 ~140x4x ...  
FI 249019  
PI 249346



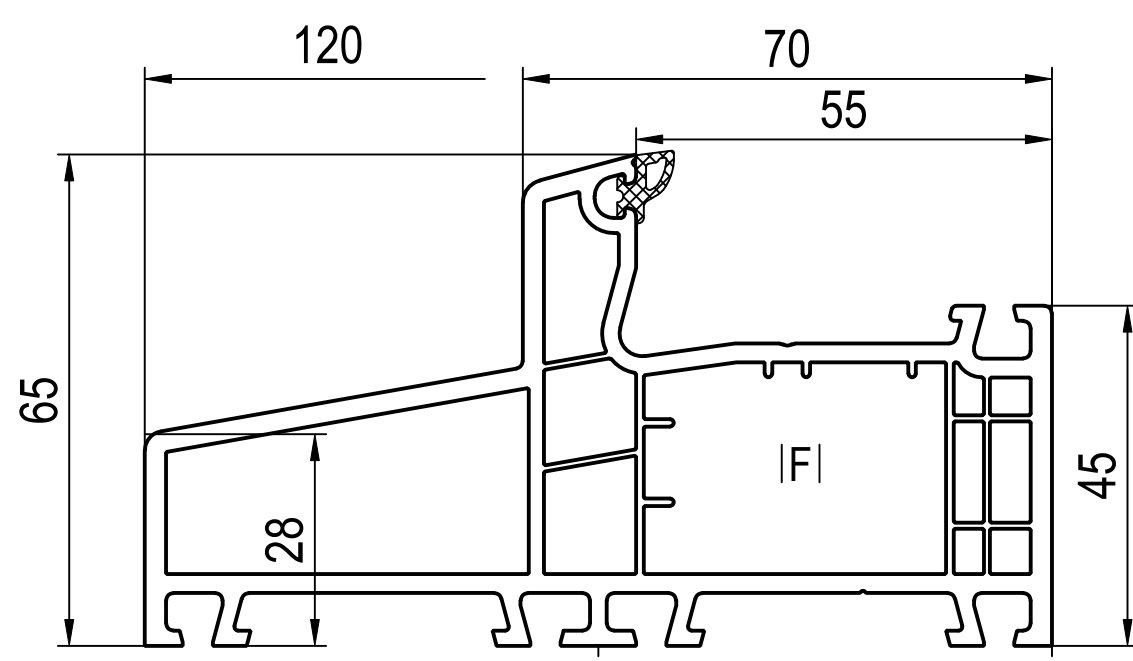
140x66 (CL)  
CI 640066  
FI 229063  
PI 249366  
IXI 447340, 449340



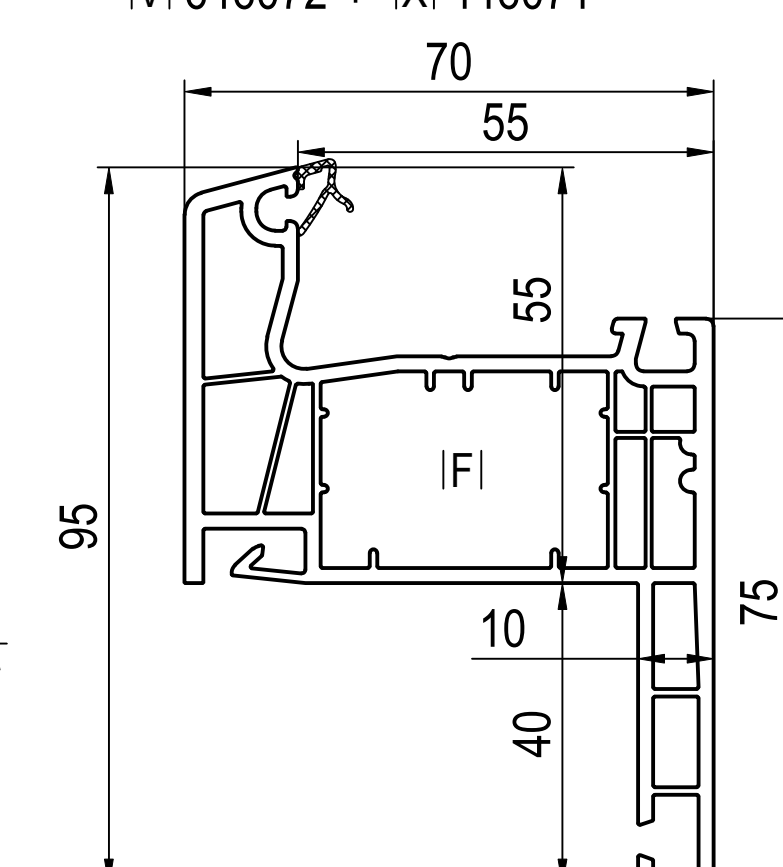
140x34 (RL) ->140x84  
AI 640301, 640311, 640320  
FI 249007, 249009



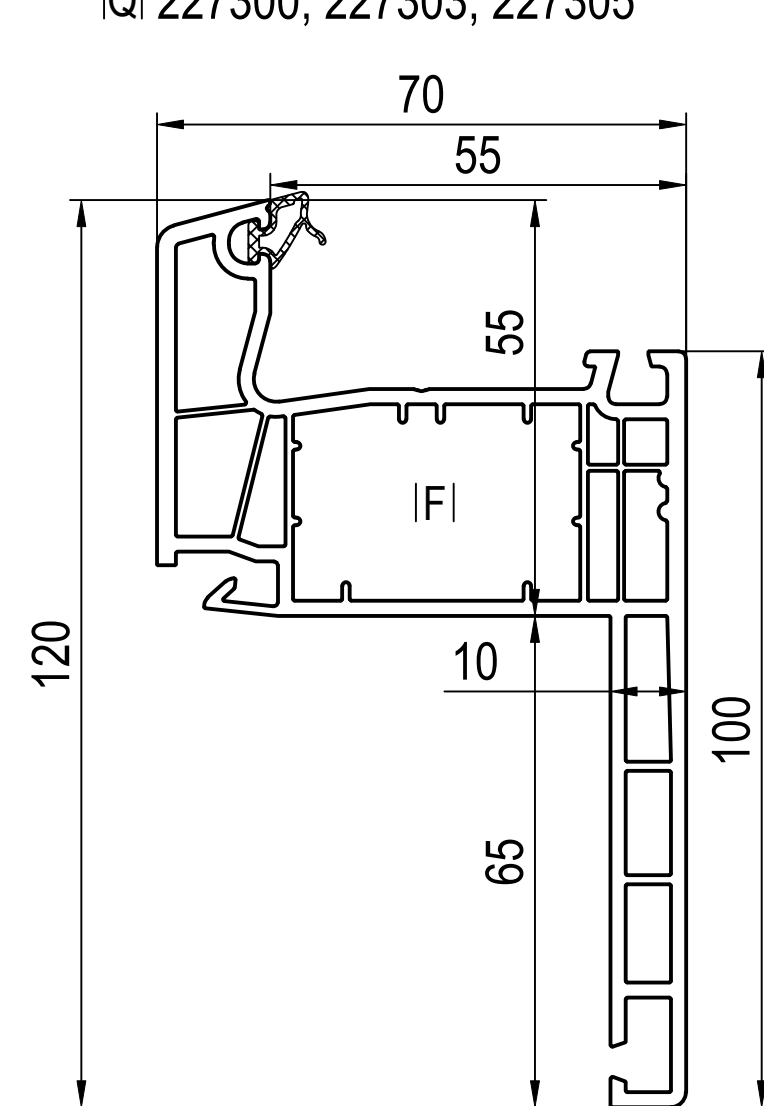
140x84 (RL) ->140x34  
110x97, 120x97  
AI 640301, 640311, 640320  
CI 640082  
FI 249009



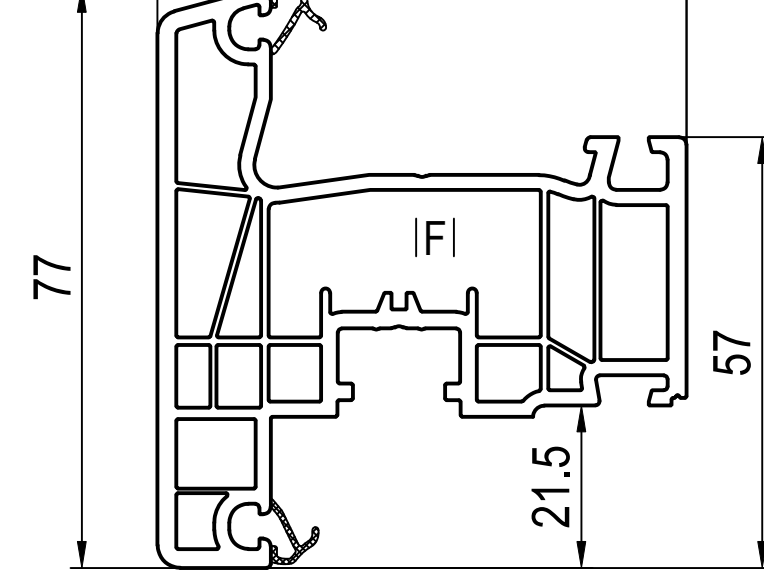
140x91 (CL)(MB)  
AI 640301, 640311, 640320  
FI 249010, 259906  
QI 227300, 227303  
UI 249058  
VI 646076



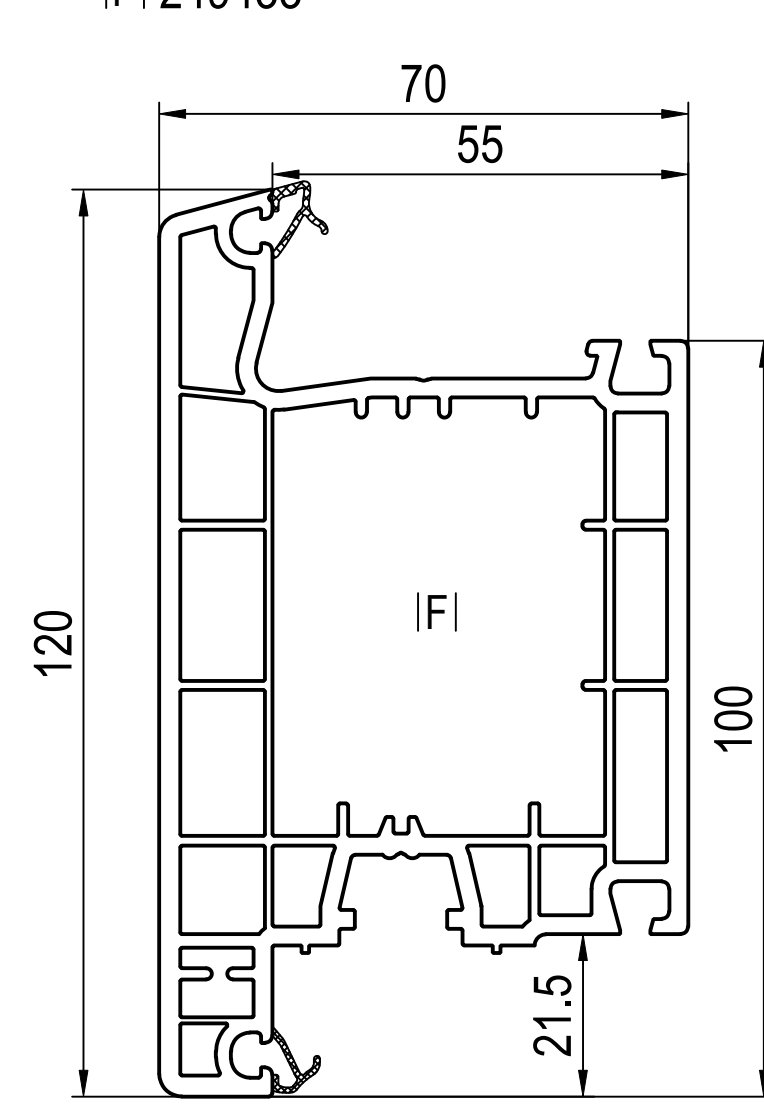
140x15 (CL)  
AI 640301, 640311, 640320  
FI 229098, 229100, 229101, 249004  
PI 259304  
QI 227300, 227303, 227305



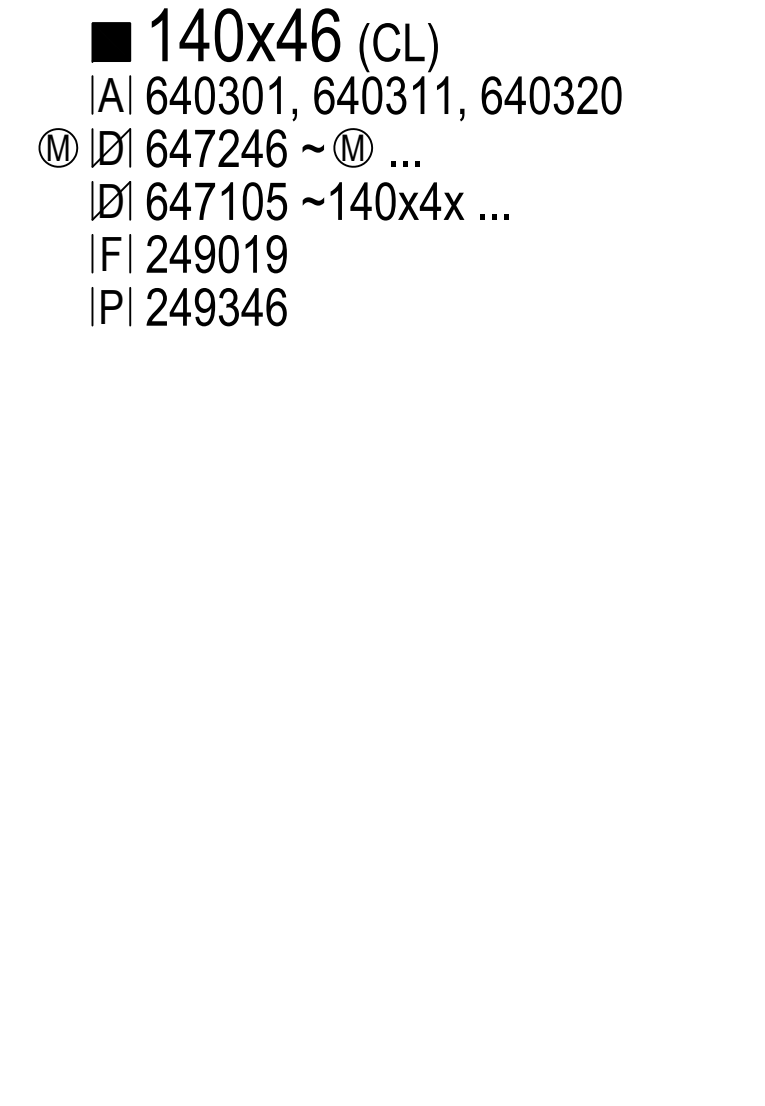
140x09000011 (CL)  
AI 640301, 640311, 640320  
FI 229098, 229100, 229101, 249004  
PI 259304  
QI 227300, 227303, 227305



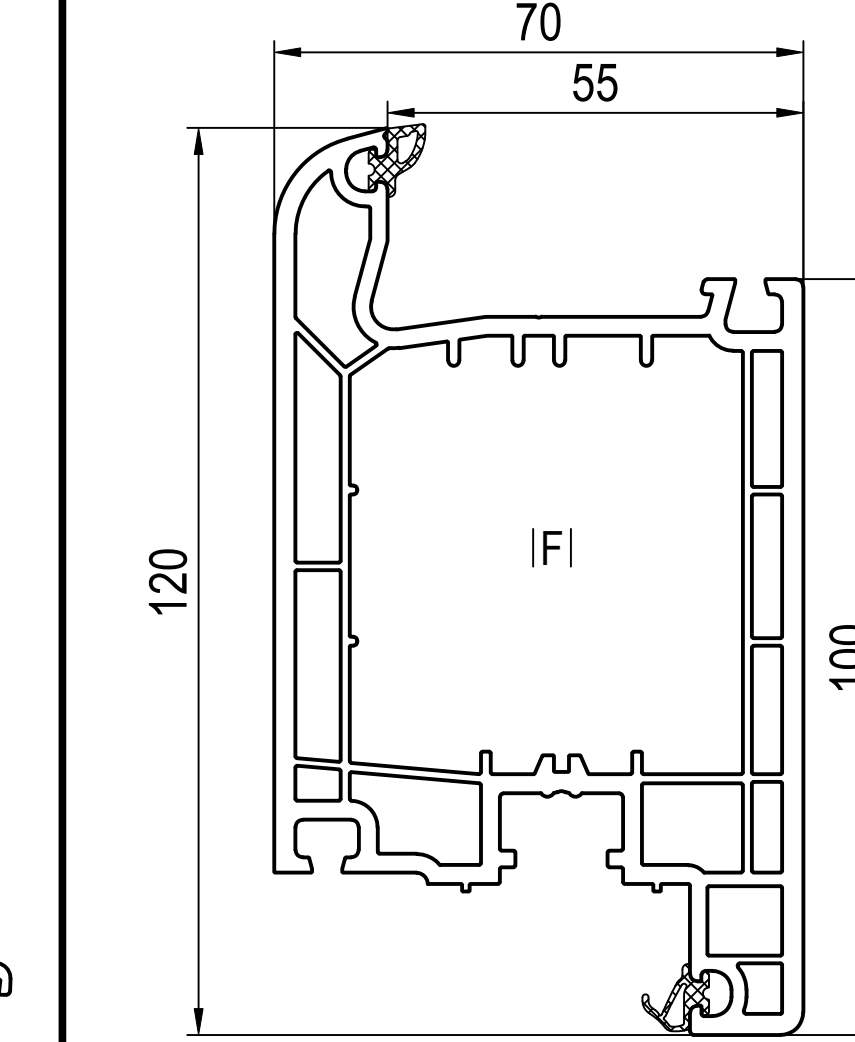
140x37 (CL)  
AI 640301, 640311, 640320  
FI 249037



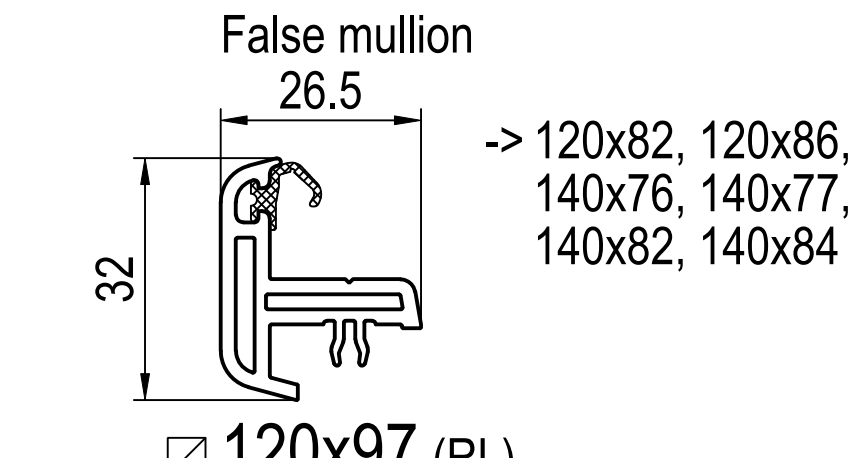
140x35 (CL)  
AI 640301, 640311, 640320  
FI 229125, 229126, 229129, 229131  
Mullions/Transoms  
DI 627107 ~140x4x ...



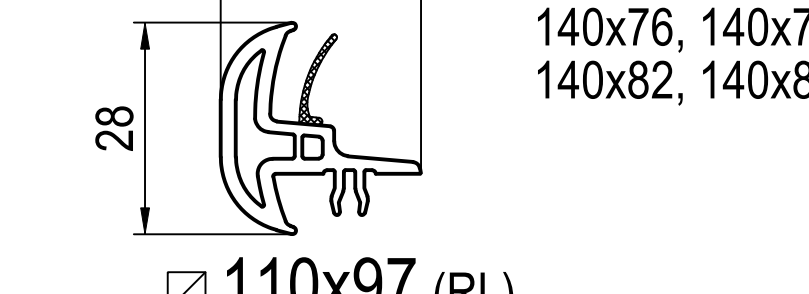
140x67 (SL)  
CI 640067  
FI 259094  
PI 249366  
IXI 447340, 449340



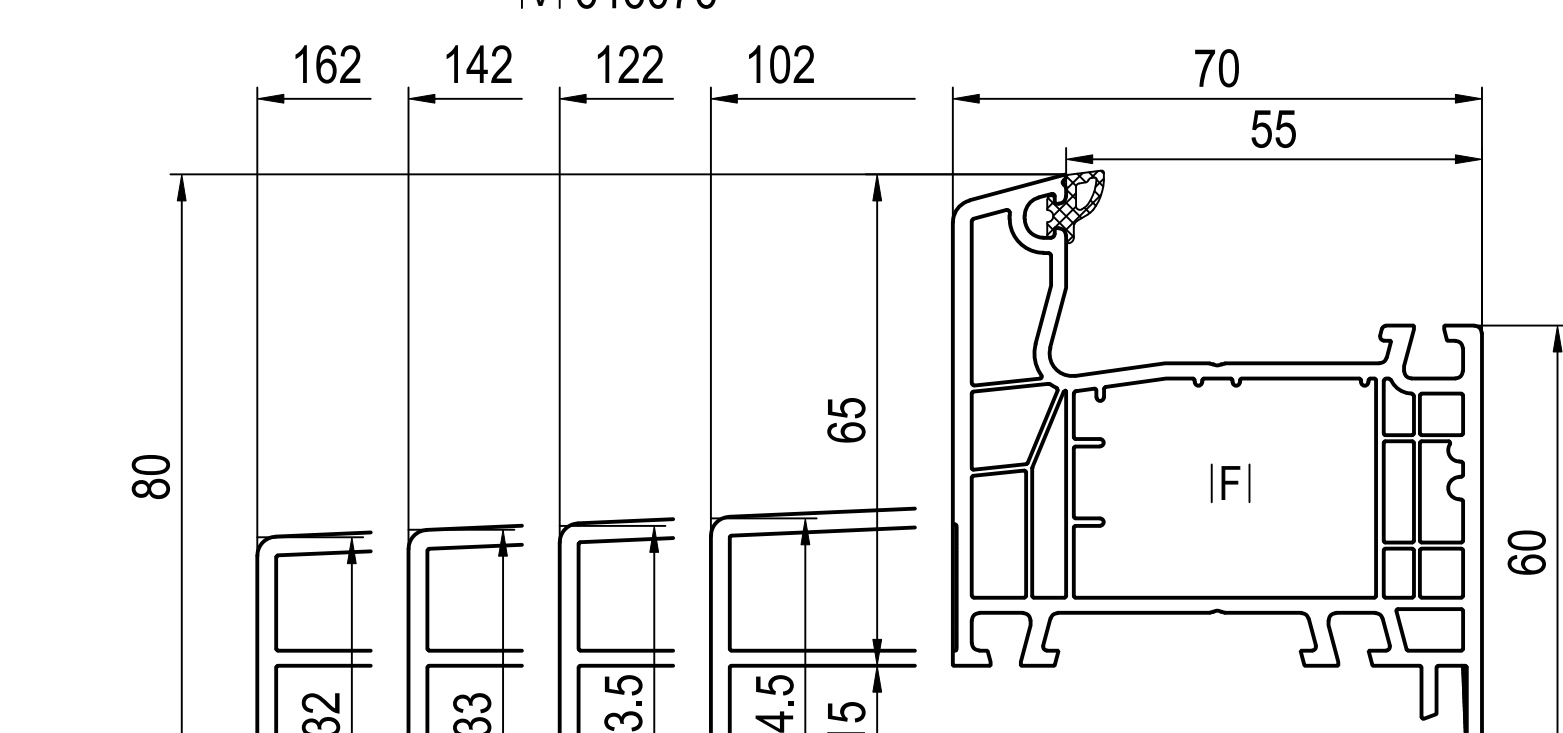
140x38 (RL)  
AI 640301, 640311, 640320  
FI 229135, 229137



120x97 (RL)  
CI 620097



110x97 (RL)



140x19 (CL)(MB) I=162 mm

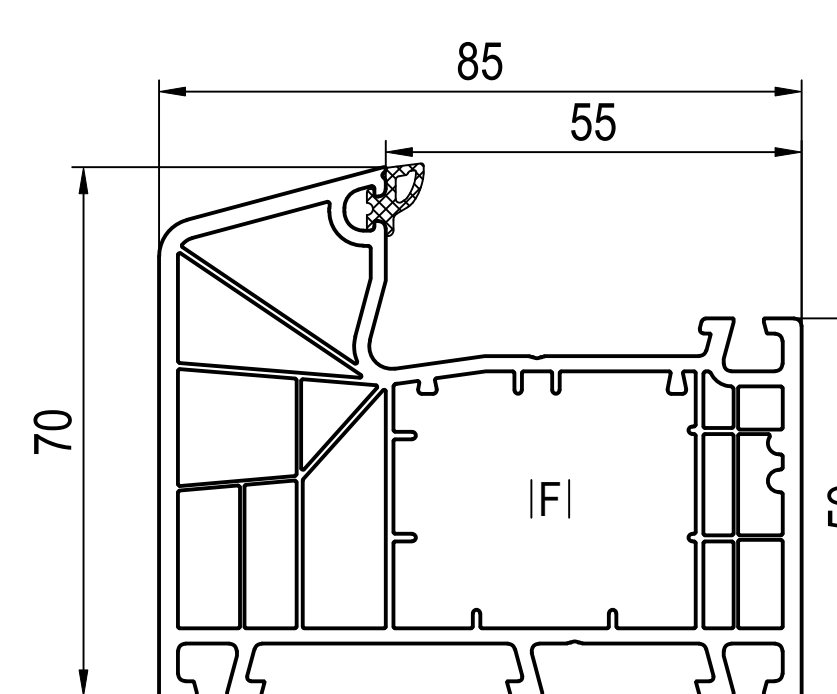
140x18 (CL)(MB) I=142 mm

140x16 (CL)(MB) I=122 mm

140x14 (CL)(MB) I=102 mm

140x12 (CL)(MB) I=70 mm

AI 640301, 640311, 640320  
FI 229023, 229024, 229025, 229026, 229029, 229030, 249010, 249026  
PI 259304  
QI 227300, 227303, ->140x12: 227305

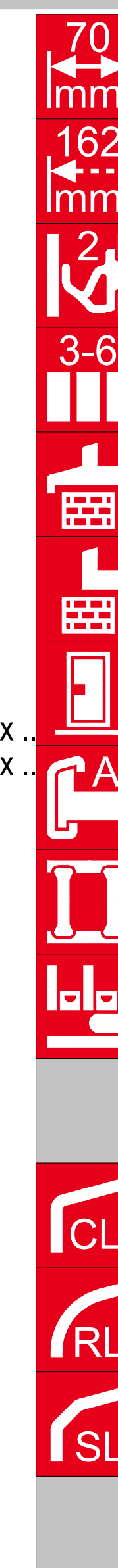


140x00 (CL)  
AI 640301, 640311, 640320  
FI 229023, 229024, 229025, 229026, 229029, 229030, 249010, 249026

Bonding of pane Option  
not laminated  
laminated

AI Spacer  
CI End caps  
DI Connector  
DI Connector without sticks  
FI Reinforcements  
JI Bonding of pane  
PI aluskin Aluminium shells  
QI Aluminium step protection  
UI Aluminium threshold  
VI Connection for threshold  
MI Mullion coupler  
XI Gaskets

-> for  
(CL) Classic-line  
(RL) Round-line  
(SL) Soft-line  
(MB) Monobloc



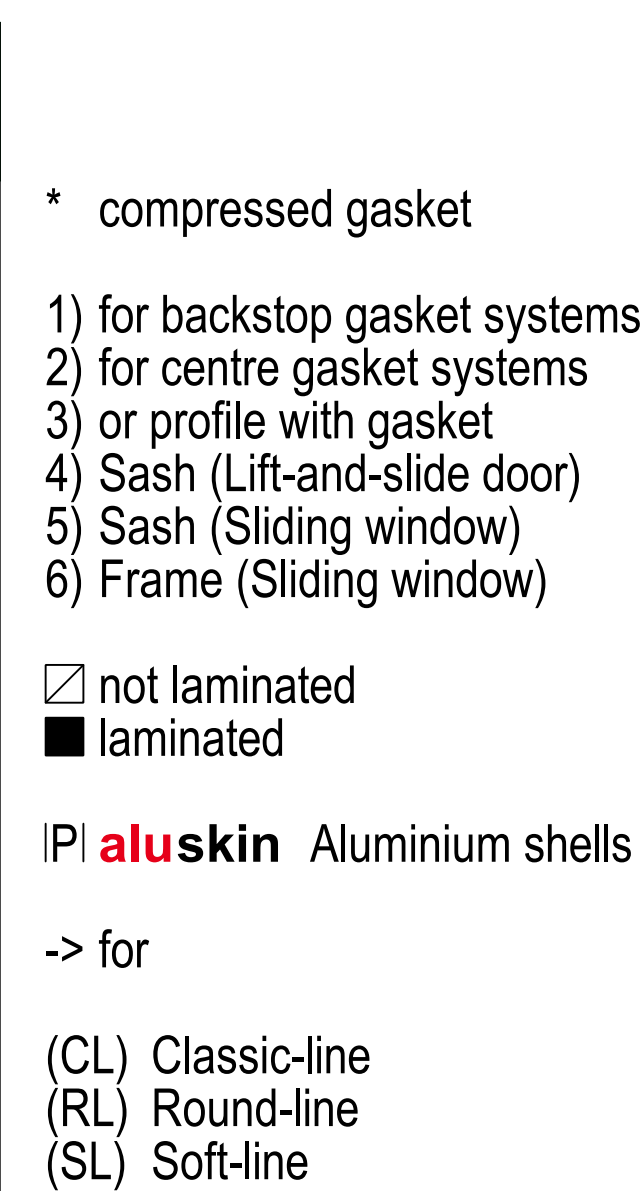
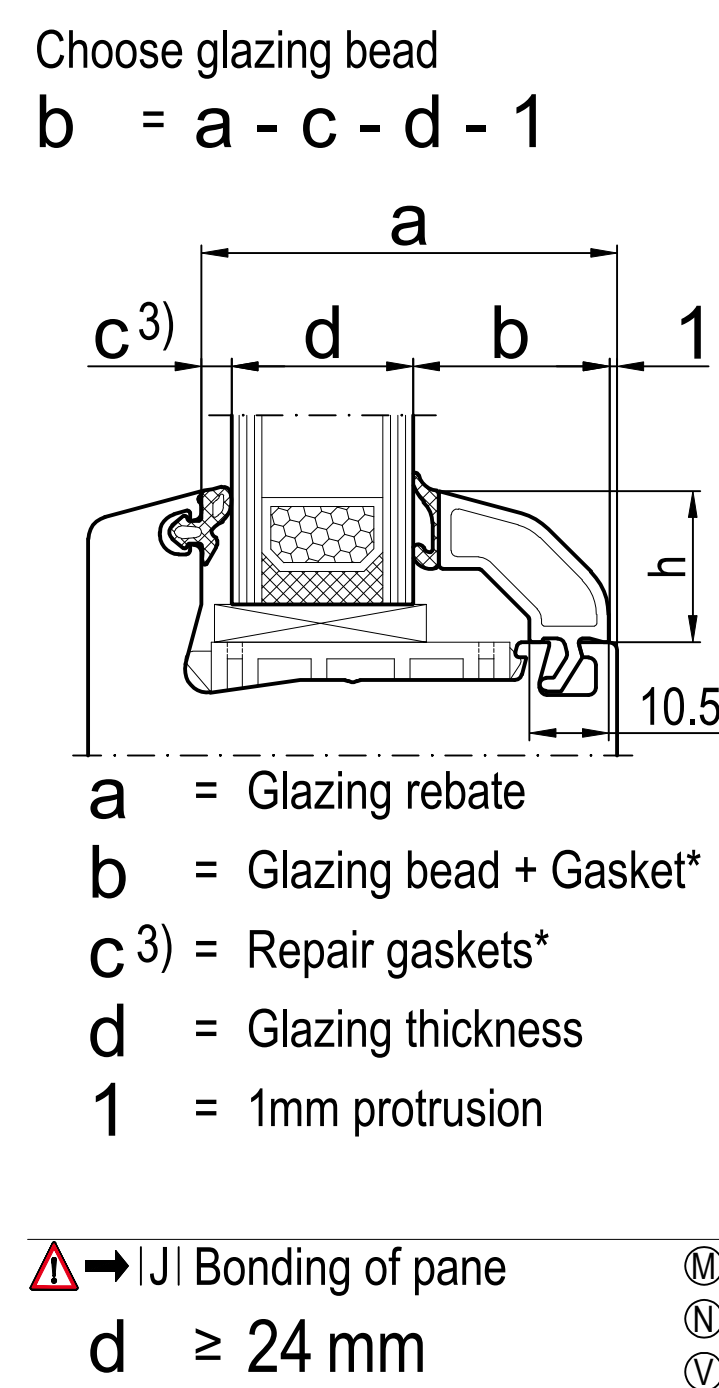


a	e.g. Profile serial	c <sup>3)</sup>	d	Glazing thickness																						
85mm	IDEAL 7000 + 16mm + 4mm protrusion ->170x39			38 - 39mm	40 - 41mm	42 - 43mm	44 - 45mm	46 - 47mm	48 - 49mm	50 - 51mm	52 - 53mm	54 - 55mm	56 - 57mm	58 - 59mm	60 - 61mm	62 - 63mm	64 - 65mm	66 - 67mm	68 - 69mm	70 - 71mm	72 - 73mm	74 - 75mm				
81mm	IDEAL 7000 + 16mm + 0mm protrusion ->170x39	x		34 - 35mm	36 - 37mm	38 - 39mm	40 - 41mm	42 - 43mm	44 - 45mm	46 - 47mm	48 - 49mm	50 - 51mm	52 - 53mm	54 - 55mm	56 - 57mm	58 - 59mm	60 - 61mm	62 - 63mm	64 - 65mm	66 - 67mm	68 - 69mm	70 - 71mm				
73mm	IDEAL 8000 + 8mm / 180250			22 - 23mm	24 - 25mm	26 - 27mm	28 - 29mm	30 - 31mm	32 - 33mm	34 - 35mm	36 - 37mm	38 - 39mm	40 - 41mm	42 - 43mm	44 - 45mm	46 - 47mm	48 - 49mm	50 - 51mm	52 - 53mm	54 - 55mm	56 - 57mm	58 - 59mm				
67mm	energeto 5000 view Sash			x	x	x	x	24 - 25mm	26 - 27mm	28 - 29mm	30 - 31mm	32 - 33mm	34 - 35mm	36 - 37mm	38 - 39mm	40 - 41mm	42 - 43mm	44 - 45mm	46 - 47mm	48 - 49mm	50 - 51mm	52 - 53mm	54 - 55mm			
65mm	IDEAL 7000, IDEAL 8000, Nord-line							24 - 25mm	26 - 27mm	28 - 29mm	30 - 31mm	32 - 33mm	34 - 35mm	36 - 37mm	38 - 39mm	40 - 41mm	42 - 43mm	44 - 45mm	46 - 47mm	48 - 49mm	50 - 51mm					
63mm	IDEAL 5000 + 8mm / 180250							24 - 25mm	26 - 27mm	28 - 29mm	30 - 31mm	32 - 33mm	34 - 35mm	36 - 37mm	38 - 39mm	40 - 41mm	42 - 43mm	44 - 45mm	46 - 47mm	48 - 49mm						
55mm	IDEAL 4000, IDEAL 5000, Nord-line							4 - 5mm	6 - 7mm	8 - 9mm	10 - 11mm	12 - 13mm	14 - 15mm	16 - 17mm	18 - 19mm	20 - 21mm	22 - 23mm	24 - 25mm	26 - 27mm	28 - 29mm	30 - 31mm	32 - 33mm	34 - 35mm	36 - 37mm	38 - 39mm	40 - 41mm
47mm	IDEAL 2000, multi-slide <sup>5)</sup>			x	x	x	x	4 - 5mm	6 - 7mm	8 - 9mm	10 - 11mm	12 - 13mm	14 - 15mm	16 - 17mm	18 - 19mm	20 - 21mm	22 - 23mm	24 - 25mm	26 - 27mm	28 - 29mm	30 - 31mm	32 - 33mm				
32mm	easy-slide <sup>5)</sup>			x	x	x	x	x	x	x	x	x	x	x	x	x	x	x	x	x	x	x	x	x	x	
20/22mm	mono-slide <sup>5) 6)</sup>			x	x	x	x	x	x	x	x	x	x	x	x	x	x	x	x	x	x	x	x	x	x	
				3/5mm	x	x	x	x	x	x	x	x	x	x	x	x	x	x	x	x	x	x	x	x	x	

38-75
[mm]
34-71
22-59
24-55
14-51
12-49
4-41
4-33
3-19
3-8

b	Glazing Beads	46mm	44mm	42mm	40mm	38mm	36mm	34mm	32mm	30mm	28mm	26mm	24mm	22mm	20mm	18mm	16mm	14mm	12mm	10mm	
(CL) Classic-line																					
h = 20mm <sup>1) 2)</sup>	<ul style="list-style-type: none"> <li>black [mm] ■ 140741 [6] ■ 140841 [4] ■ 140641 [2] ■ 120740 [6] ■ 120840 [4] ■ 120640 [2] ■ 120738 [6] ■ 120838 [4] ■ 120638 [2] ■ 120736 [6] ■ 120836 [4] ■ 120636 [2] ■ 120835 [4] ■ 120635 [2] ■ 120833 [4] ■ 120633 [2] ■ 120832 [4] ■ 120632 [2] ■ 140631 [4]</li> <li>papyrus-white [mm] □ 140771 [6] □ 140871 [4] □ 140671 [2] □ 120770 [6] □ 120870 [4] □ 120670 [2] □ 120768 [6] □ 120868 [4] □ 120668 [2] □ 120766 [6] □ 120866 [4] □ 120666 [2] □ 120865 [4] □ 120665 [2] □ 120863 [4] □ 120663 [2] □ 120862 [4] □ 120662 [2] □ 140661 [4]</li> </ul>																				
h = 30mm <sup>2)</sup>	<ul style="list-style-type: none"> <li>black [mm] -</li> <li>papyrus-white [mm] -</li> </ul>																				
(RL) Round-line																					
h = 20mm <sup>1) 2)</sup>	<ul style="list-style-type: none"> <li>black [mm] ■ 140854 [2.5] □ 140654 [0.5]</li> <li>papyrus-white [mm] □ 140884 [2.5] □ 140684 [0.5]</li> </ul>																				
h = 30mm <sup>2)</sup>	<ul style="list-style-type: none"> <li>black [mm] -</li> <li>papyrus-white [mm] -</li> </ul>																				
(SL) Soft-line																					
h = 20mm <sup>1) 2)</sup>	<ul style="list-style-type: none"> <li>black [mm] ■ 120855 [4] ■ 120885 [4]</li> <li>papyrus-white [mm] □ 120885 [4]</li> </ul>																				
h = 30mm <sup>2)</sup>	<ul style="list-style-type: none"> <li>black [mm] -</li> <li>papyrus-white [mm] -</li> </ul>																				

10-46
[mm]
16-26
[mm]
34-36
[mm]
12-26
[mm]
30
[mm]



### Repair gaskets

IXI Gaskets  
-> Main Profiles

Glazing thickness												
= d	Standard	= d	Option	= d	Option	= d	Option	x	x	x	x	
IDEAL 2000, multi-slide <sup>5)</sup>												= d - 2mm
IDEAL 4000, IDEAL 5000, IDEAL 7000, IDEAL 8000, Nord-line, lift-slide <sup>4)</sup> , smart-slide <sup>5) 6)</sup> , IDEAL 2000 + 8mm	x	= d + 1mm	= d + 1mm	= d + 1mm	= d	Standard	= d	Option	= d	IP Aluskin	= d	IP Aluskin = d - 1mm
easy-slide <sup>5)</sup>	x	= d	Standard	= d	Option	= d	Option	= d - 1mm	= d - 1mm	x	x	= d - 2mm
mono-slide <sup>5)</sup>	x	= d + 2mm	= d + 2mm	= d + 2mm	= d + 1mm	= d + 1mm	x	x				= d Standard
easy-slide <sup>6)</sup> , mono-slide <sup>6)</sup>	x	= d	Option	= d	Standard	= d	Option	= d - 1mm	= d - 1mm	x	x	= d - 2mm
	compression [mm]	[2.5-3.5]	[2.5-3.5]	[3-3.5]	[3-5]	[4-4.5]	[4-4.5]	[4]	[4]	[4.5-7.0]		

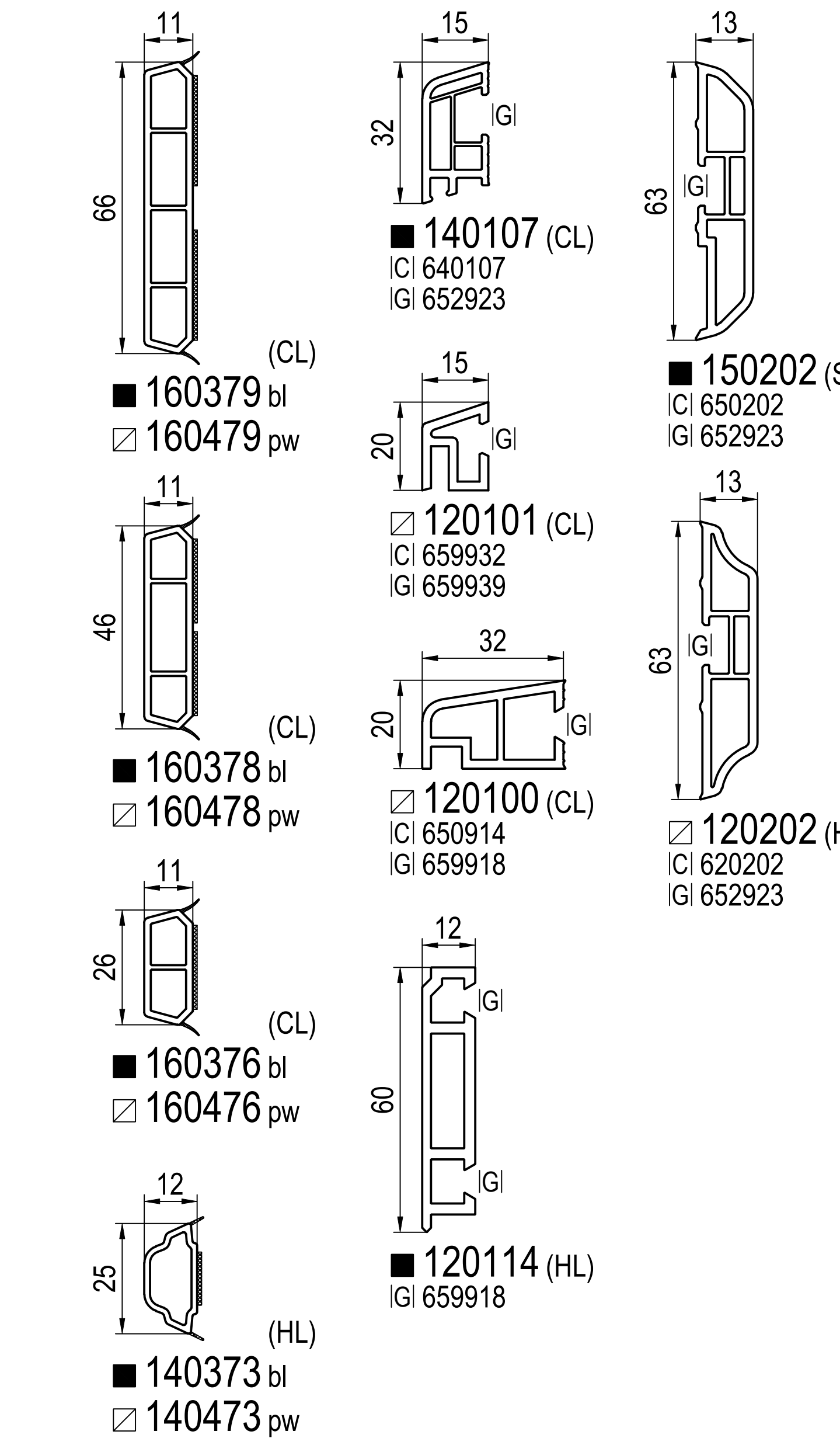
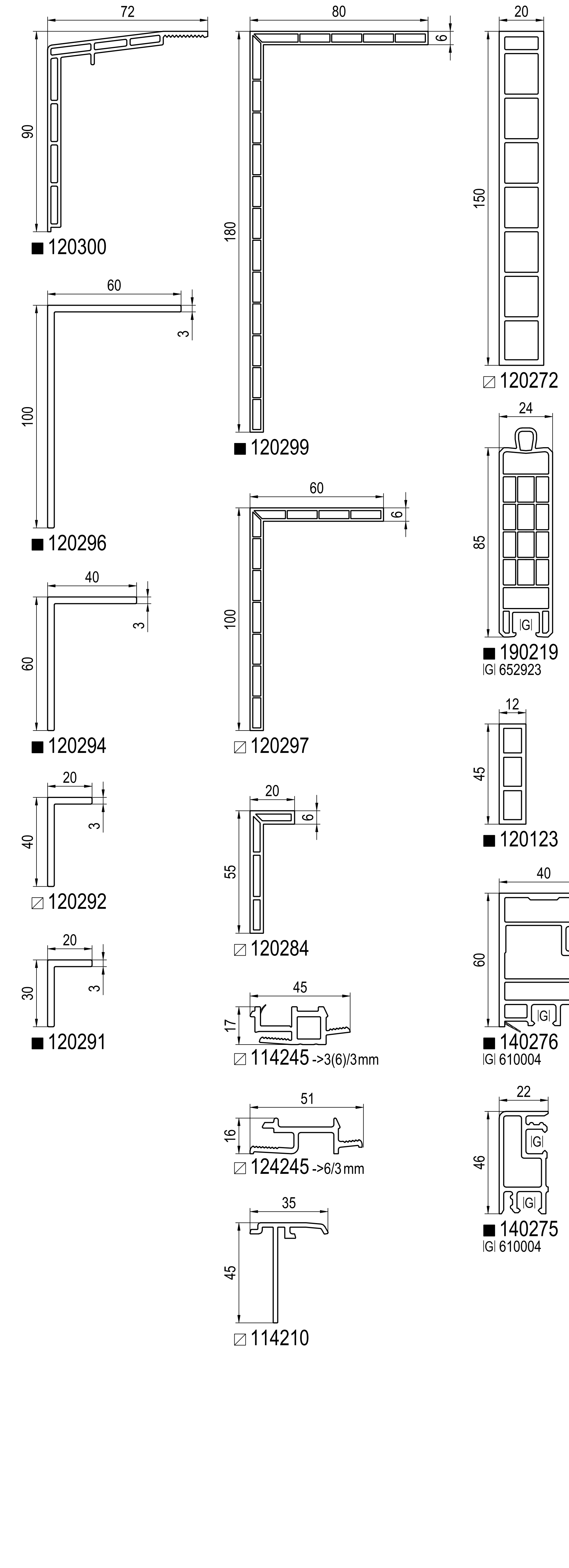
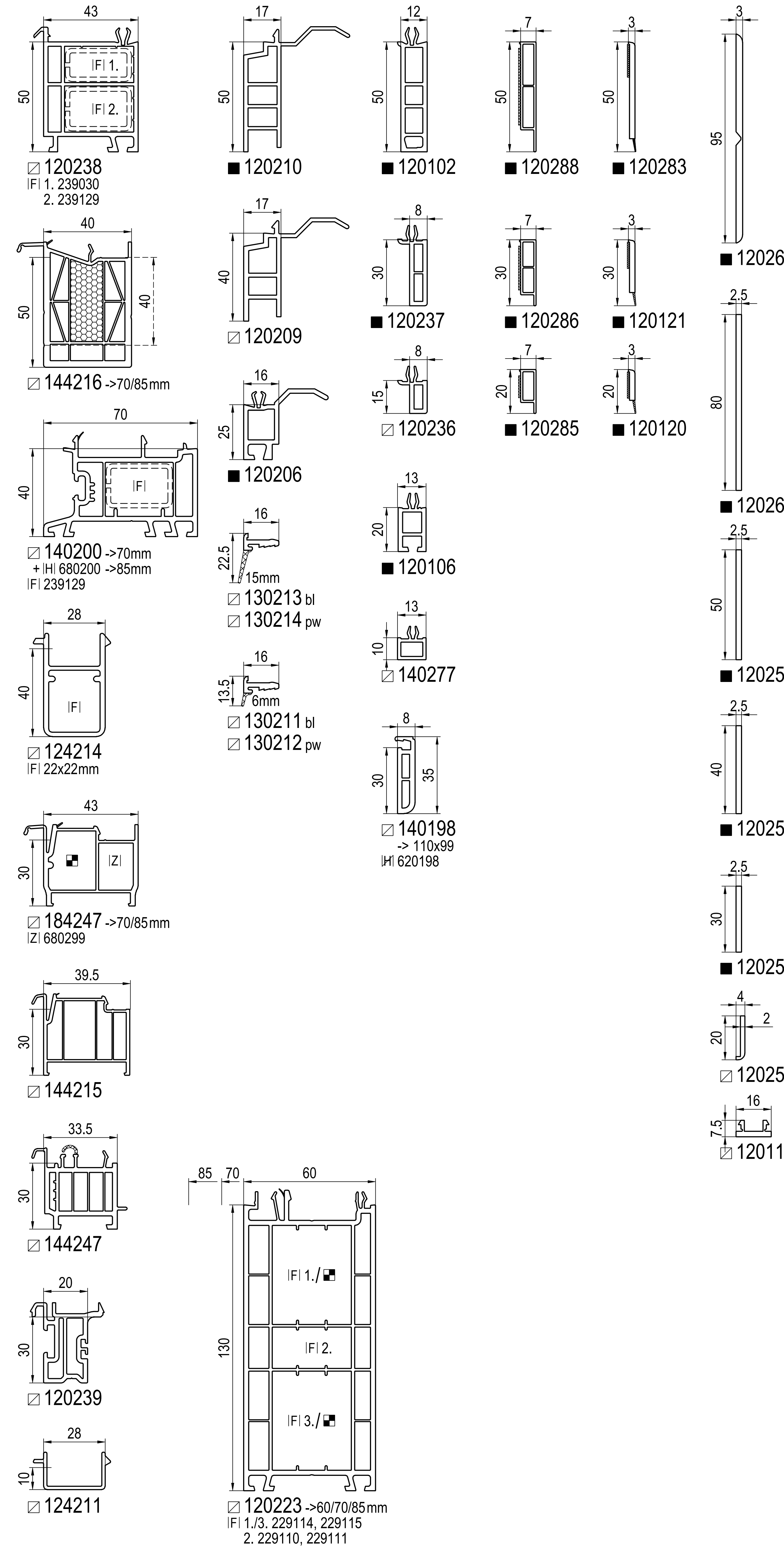
  

IXI Gaskets -> Glazing Beads	429921 bl	459922 bl	409076 bl	459925 bl	479015 bl	449980 bl	459951 bl	449986 bl	459923 bl
	429921 pw	459922 pw	409076 pw	459925 pw	477015 pw	449980 pw	459951 pw	449986 pw	459923 pw
	- oc	- oc	- oc	453925 oc	- oc	- oc	- oc	- oc	- oc
C = 3mm	C = 3mm	C = 3mm	C = 3mm	C = 3mm	C = 4mm	C = 4mm	C = 4mm	C = 4mm	C = 5mm

Standard -> IP | Option -> IP



General



Accessories

AI Spacer

660911	2x12x100mm
669922	3x12x100mm
669944	5x12x100mm
660916	2x20x100mm
669919	3x20x100mm
669920	4x20x100mm
660900	4x22x100mm
659905	1x25x 90 mm
659906	2x25x 90 mm
659907	5x25x 90 mm
669912	2x28x100mm
669911	3x28x100mm
669910	4x28x100mm
659908	5x28x100mm
660901	2x30x100mm
660902	3x30x100mm
660903	4x30x100mm
659935	2x34x100mm
659936	3x34x100mm
659937	4x34x100mm
659938	5x34x100mm
659942	2x46x100mm
659943	3x46x100mm
659944	5x46x100mm

CI End caps

659932 (CL)	640107 (CL)	650914 (CL)
-> 120101	-> 140107	-> 120100
620202 (HL)	650202 (SL)	
-> 120202	-> 150202	

GI Nipple screw / Clip

652923	659918	610004
-> uPVC		
659923	659939	
-> aluminium		

HI Installation / mounting anchor

620198	680200
-> 140198	->85mm + 120221, 120242, 140209, 140200

IKI Drain slot caps / Drainage profile

620010	620014	690923
Ø9.5 mm	Ø10x11 mm	~ Ø5x25mm

IMI Panels (uPVC / Sandwich)

620320	24mm
620321	3mm

ISI Aluminium profiles

229080	SL 63mm
	AU 205mm
	GU 371mm

ITI Aluminium weather bar

259082 (CL)	GI 659923
-------------	-----------

IXI Gaskets

420250 wh
429334 bl
427334 pw
421250 br
423250 oc

IZI Special accessories

680299	-13/17x20x1000mm
	-> 184247

not laminated  
 laminated  
 foam inside ->

-> for

(CL) Classic-line  
 (RL) Round-line  
 (SL) Soft-line  
 (HL) Historik-line

Construction depth  
 ->60mm ->IDEAL 2000  
 ->70mm ->IDEAL 4000 / 5000  
 ->85mm ->IDEAL 7000 / 8000  
 ... ->IDEAL 2000 - 8000

br brown  
 gr grey  
 oc ochre  
 bl black  
 pw papyrus-white  
 wh white

SL visible length  
 AU exterior perimeter  
 GU overall perimeter

SL: AU: GU:



Extensions

**120227** ->60/70mm  
**140227** ->70mm  
**180227** ->85mm  
**120220** ->60/70mm  
**140209** ->70mm  
**180209** ->85mm  
**120242** ->60/70mm  
**140205** ->70/85mm  
**180201** ->85mm  
**120221** ->60/70mm  
**140207** ->70/85mm  
**180203** ->85mm  
**140208** ->70/85mm  
**180204** ->85mm  
**140206** ->70/85mm  
**180222** ->85mm

Couplings

**120116**  
**120224**  
**449140** = IXI Gaskets  
**140203** ->70mm  
**120217** ->60mm  
**140267** ->70mm  
**180267** ->85mm  
**140243** ->70mm  
**140244** ->70/85mm  
**120275** 90° ->60mm  
**140248** 90° ->60/70/85mm  
**140249** 135° ->60/70/85mm

Structural profiles

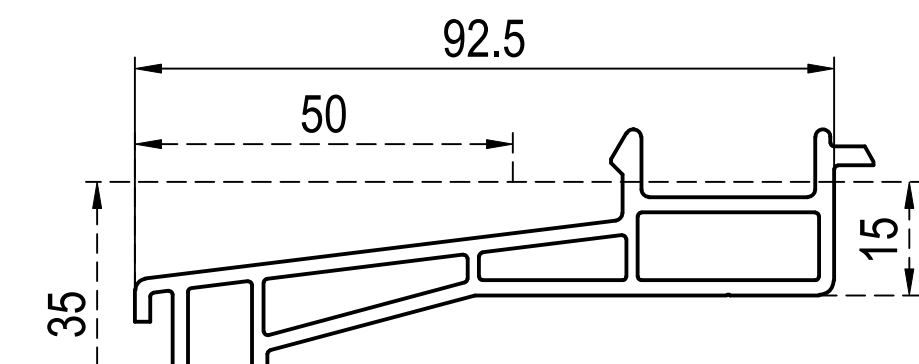
**120224** ->85mm  
**120219** ->60/70/85mm  
**140267** ->70mm  
**180267** ->85mm  
**140218** ->60mm  
**140218** ->70mm  
**180218** ->85mm  
**120109**

Accessories

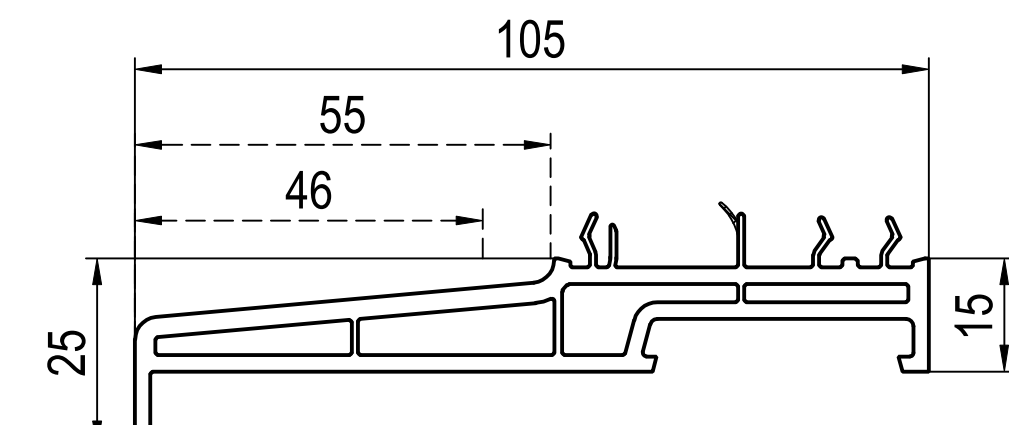
**640302** 2x50x100 mm -> Couplings  
**249335** (CL) -> 120242, 140205, 180201  
**249360** (CL) -> 120221, 140207, 180203  
**249310** (CL) -> 140208, 180204  
**289210** (CL) -> 120211  
**289211** (CL) -> 120211  
**680200** ->85mm + 120221, 120242, 140209, 140200  
**644299** IXI 742299, 782299 -> Extension profile  
**622337** 110-180mm  
**622140** IFI 229140 -> 120241  
**622333** IFI 249244 -> 140244  
**622041** IFI 229040 -> 120275, 259926  
**622104** IFI 229125, 259926 -> 120109  
**622354** IFI 229018, 289218 -> 120218  
**682335** IFI 229018, 289218 -> 120218  
**622338** IFI 229018, 289218 -> 120218  
**682332** IFI 229018, 289218 -> 120218  
**622019** IFI 229019 -> 120219  
**622902** IFI 249242 -> 140249  
**682333** General -> Extension profile  
**640334** ->42 kg  
**640332** ->31 kg  
**620410** -> General  
**640331** protrusion 30 mm ->100kg, 50 mm ->60kg, 70 mm ->30kg  
**640330** protrusion 30 mm ->55kg, 50 mm ->30kg, 70 mm ->18kg  
**680414** -> 080x04, 180x04



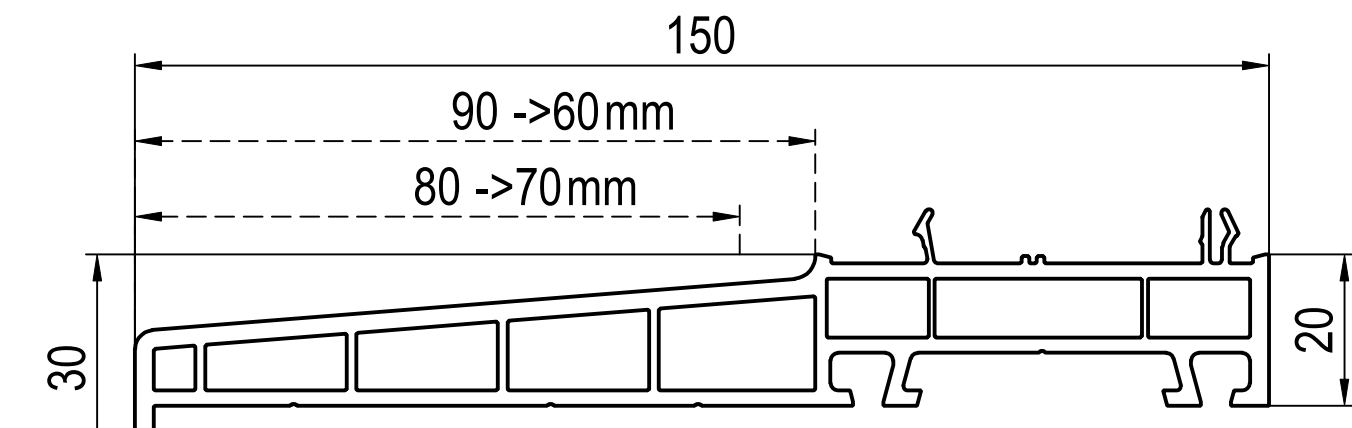
Exterior window sills



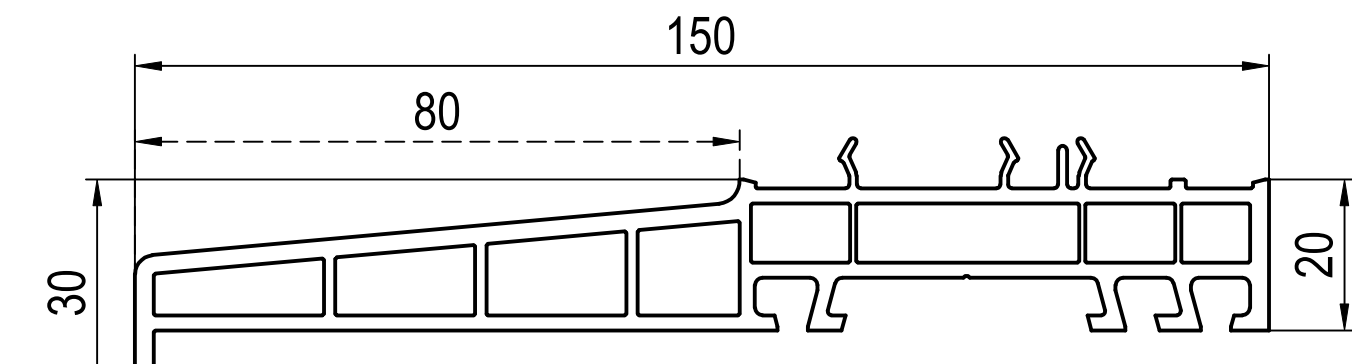
■ 120246  
ICI 650921



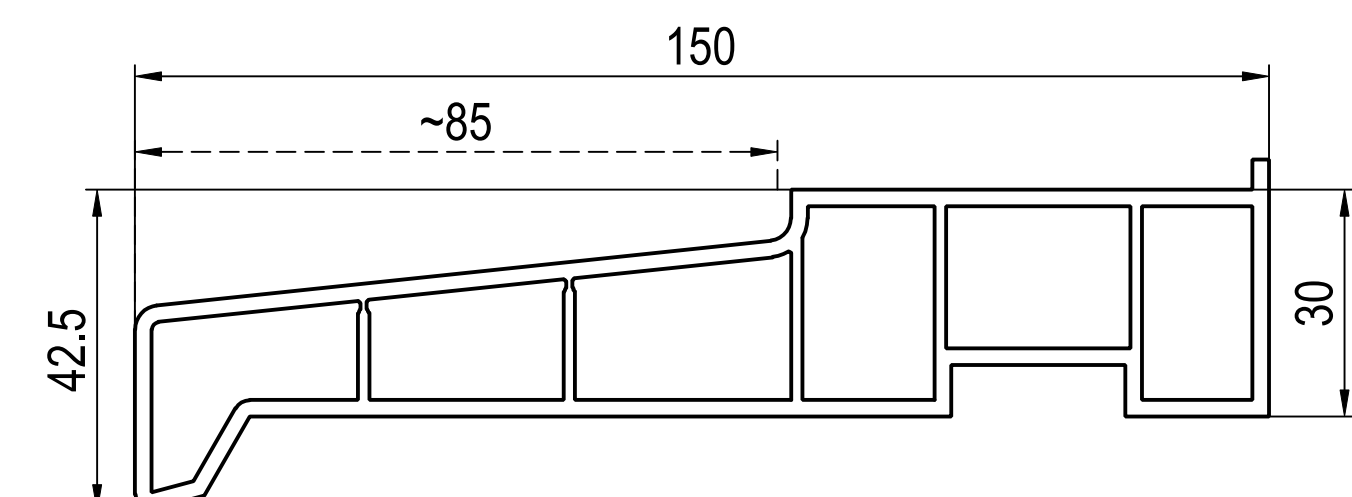
■ 120248  
ICI 620249, 640238



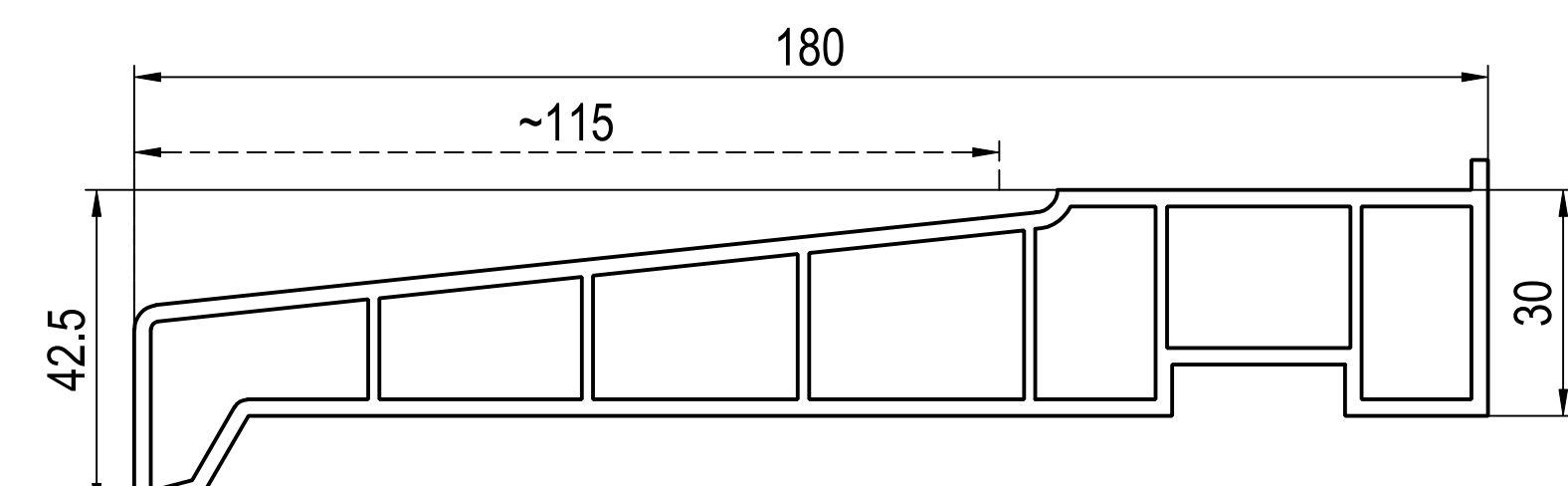
■ 120249  
->60/70mm  
ICI 640238  
IPI 249449 ->70mm



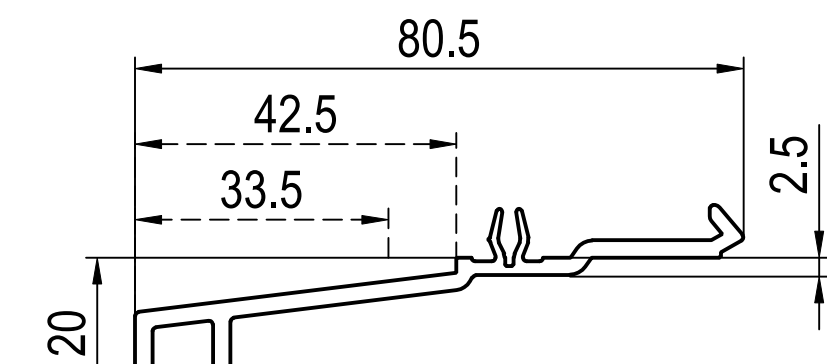
■ 140238  
->70 mm  
ICI 640238



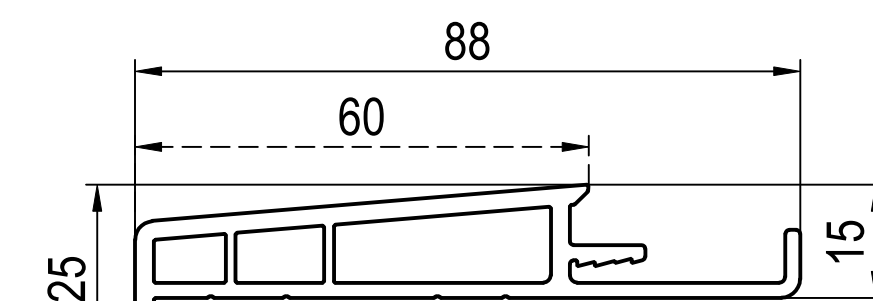
□ 100220  
ICI 600220



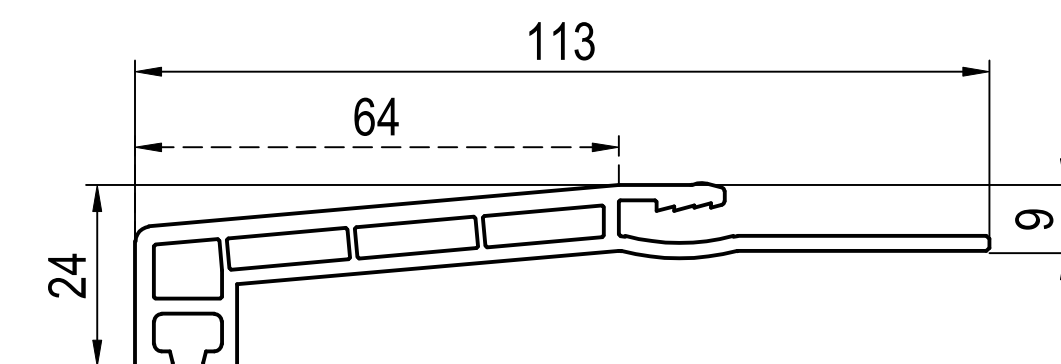
□ 120108  
ICI 650902



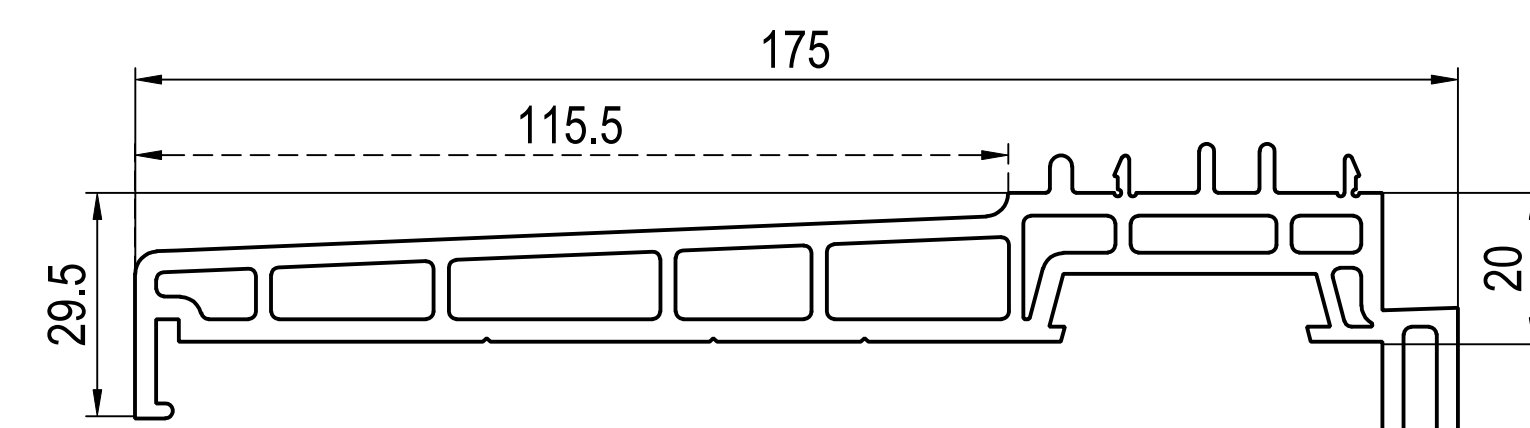
□ 140229



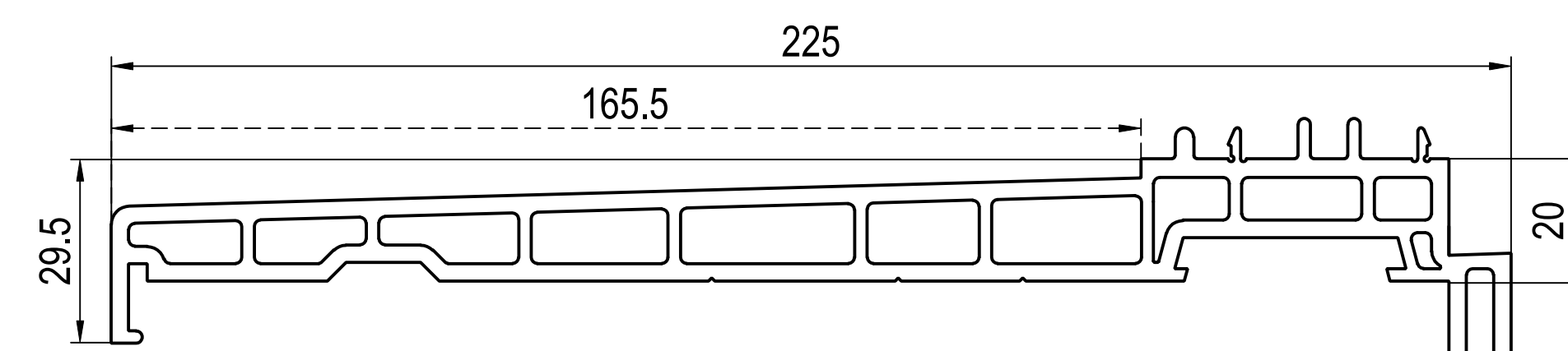
□ 110200  
-> 110x99, 120x59  
ICI 640238



■ 140219  
-> 120x39, 120x91, 140x17, 140x090000011, 150x110000011  
ICI 640238

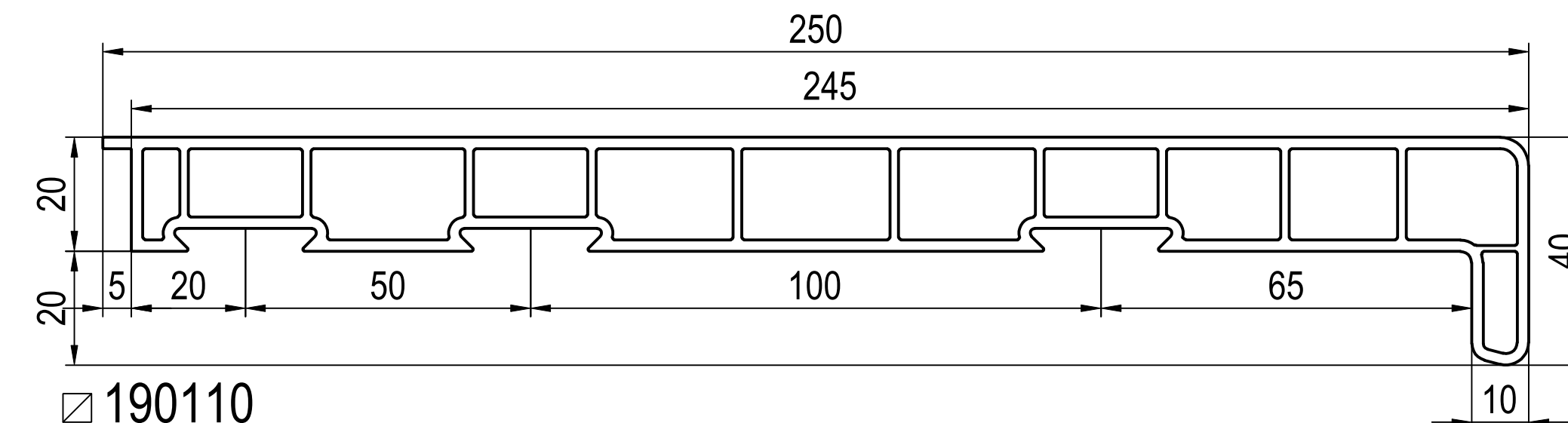


□ 120190  
-> (RL)(MB) 110x06, 110x08, 110x09, 120x19, 120x57

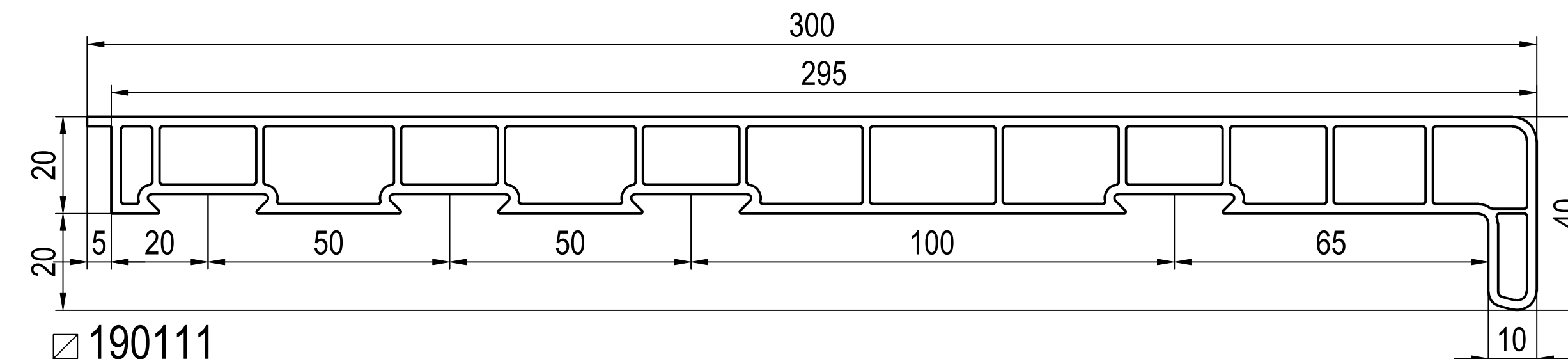


□ 120192  
-> (RL)(MB) 110x06, 110x08, 110x09, 120x19, 120x57

Interior window sills

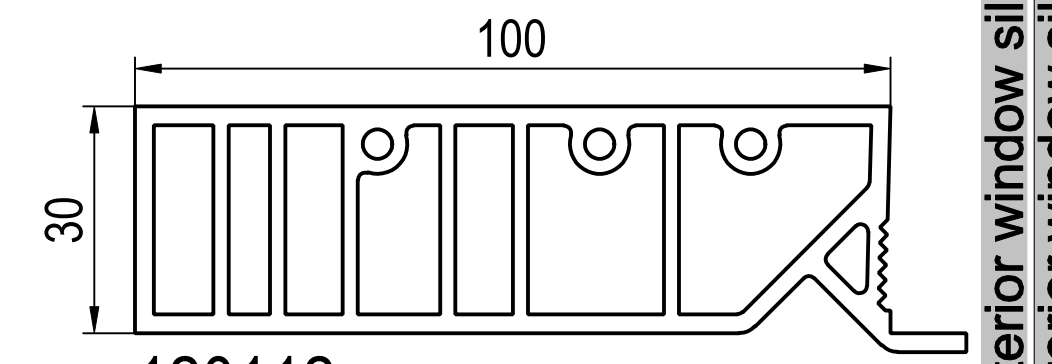


□ 190110  
ICI 610911 cut

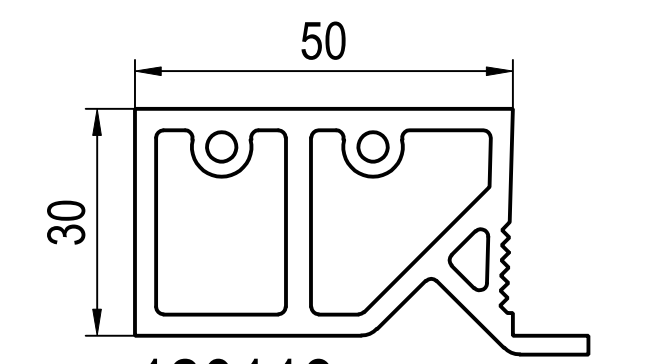


□ 190111  
ICI 610911

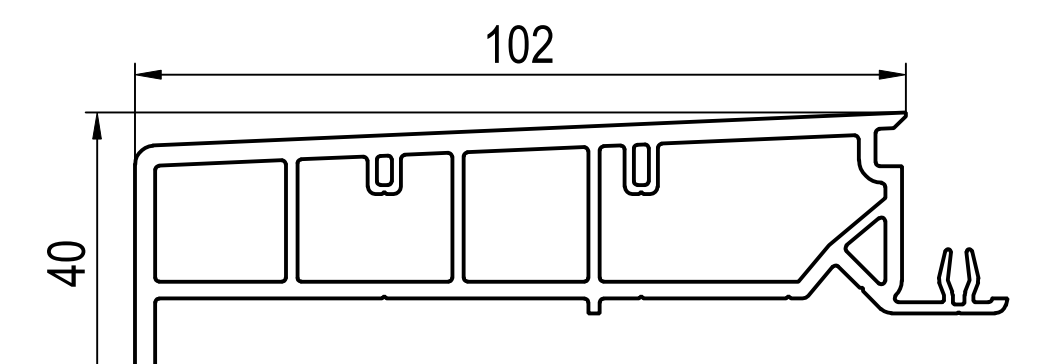
Frames



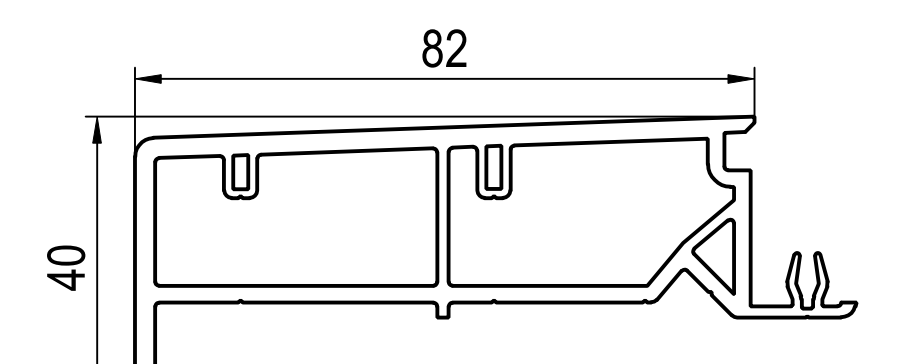
■ 120112



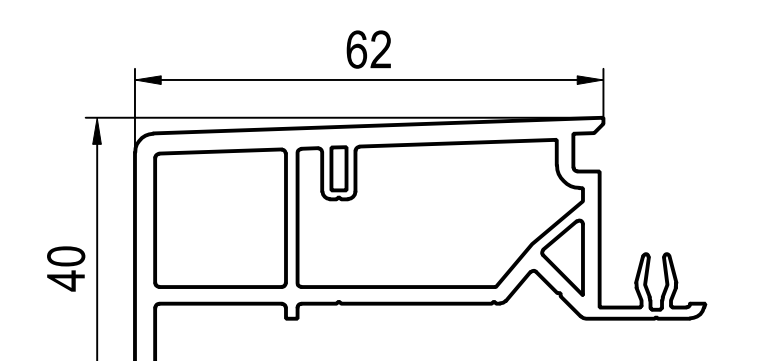
□ 120113



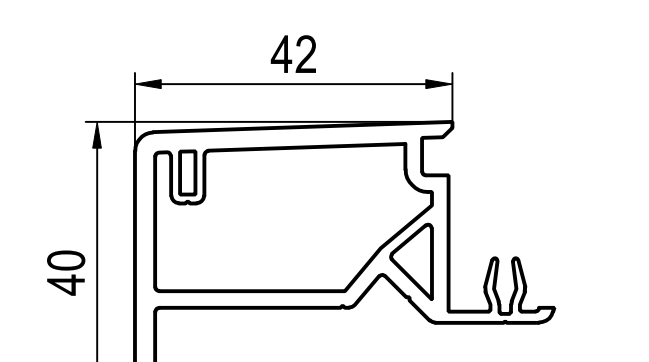
□ 120196



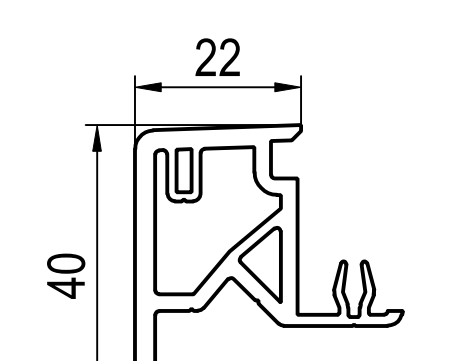
■ 120270



□ 120195



□ 120194

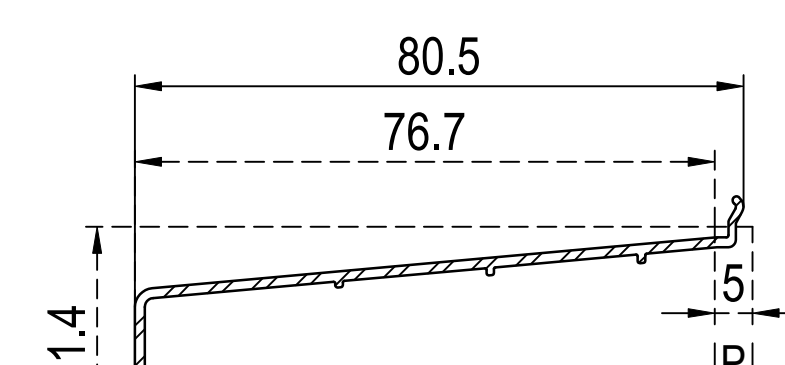


□ 120193

Exterior window sills  
Interior window sills  
Frames

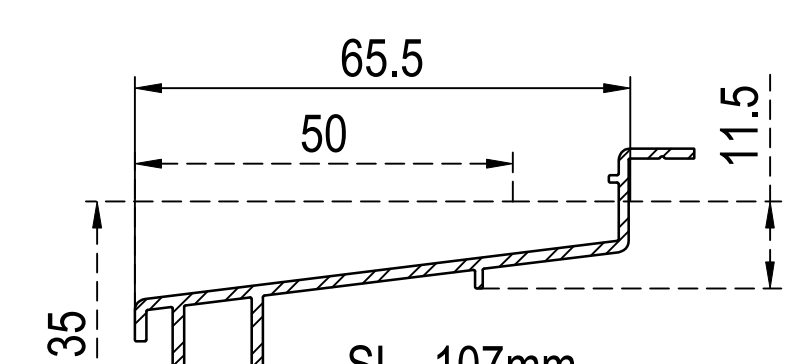
aluminium

IPI aluskin Aluminium shells



SL 114mm  
AU 239mm  
□ 249449 aluminium  
-> 120249 ->70mm

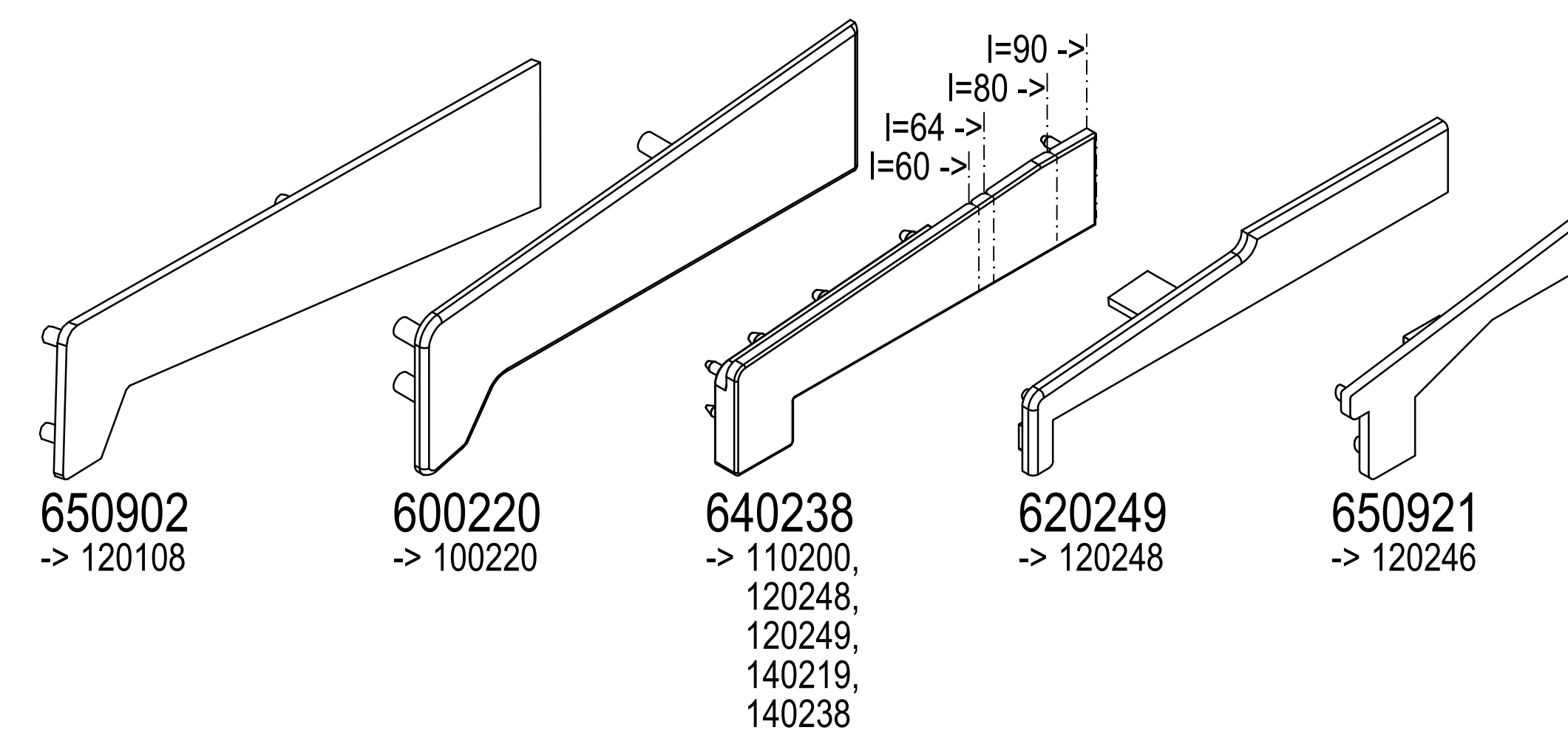
ISI Aluminium profiles



SL 107mm  
AU 258mm  
GU 302mm  
□ 229246 aluminium

Accessories

ICI End caps



650902  
-> 120108

600220  
-> 100220

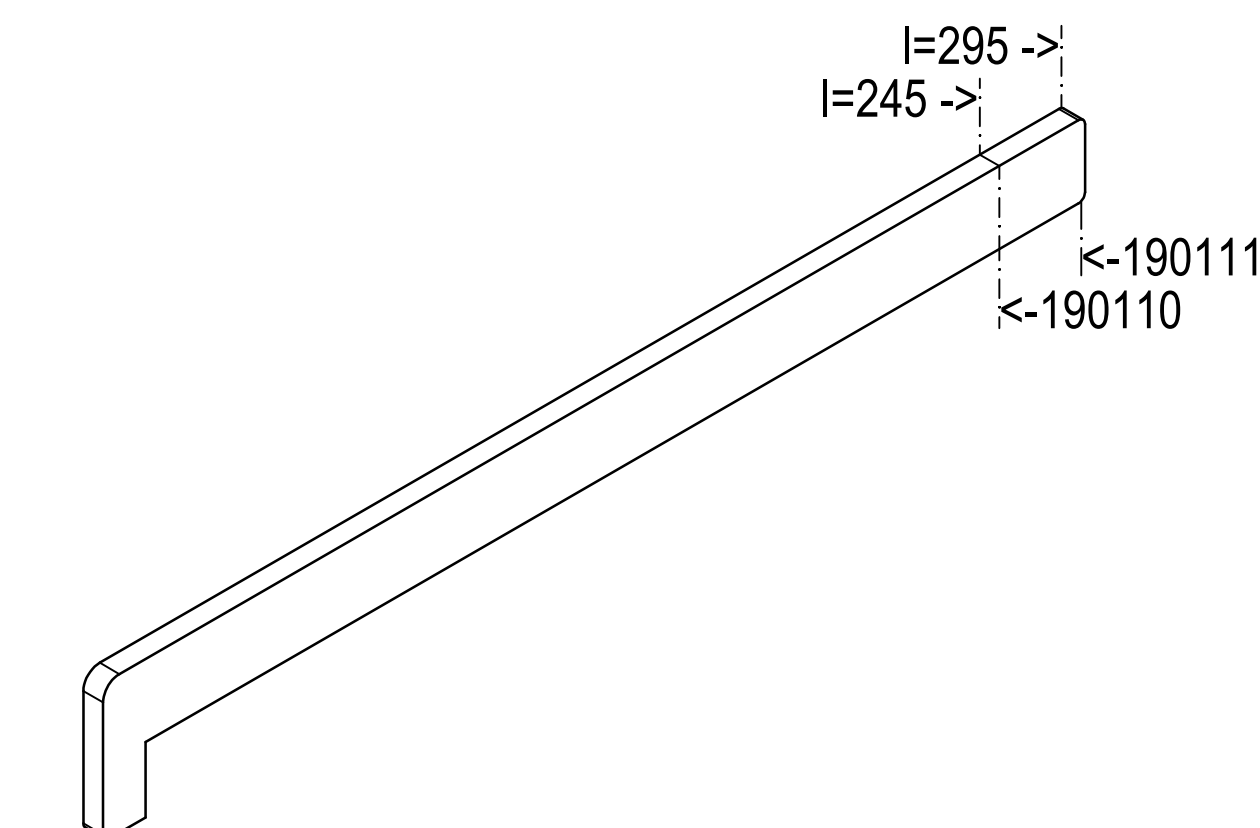
640238  
-> 110200,  
120248,  
120249,  
140219,  
140238

620249  
-> 120248

650921  
-> 120246

Accessories

ICI End caps



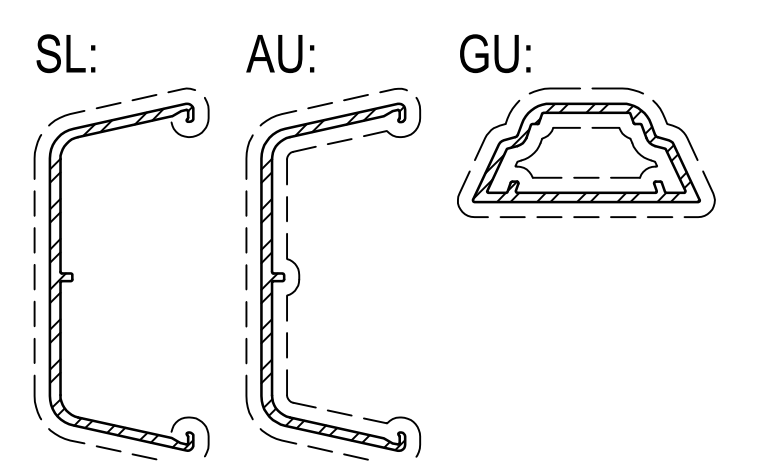
610911  
-> 190110, 190111

□ not laminated  
■ laminated

-> for

Construction depth  
->60mm ->IDEAL 2000  
->70mm ->IDEAL 4000 / 5000  
->85mm ->IDEAL 7000 / 8000  
... ->IDEAL 2000 - 8000

SL visible length  
AU exterior perimeter  
GU overall perimeter





Roller shutter guides  
-> max.-L

Roller shutter guides

■ 120429 bl  
BI 620042, 620044  
CI 620032  
GI 652923  
YI 459930 -> max.-L Standard  
YI 459932 -> mini-L Option

■ 190433 bl  
BI 620042, 620044  
CI -  
GI 652923  
YI 459930 -> max.-L Standard  
YI 459932 -> mini-L Option

■ 190430 bl  
BI 620038  
CI 690030  
GI 652923  
YI 459930 -> max.-L Standard  
YI 459932 -> mini-L Option

■ 190435 bl  
BI 620038  
CI 690035  
GI 652923  
YI 459930 -> max.-L Standard  
YI 459932 -> mini-L Option

-> mini-L

Roller shutter guides

■ 120929 bl  
BI 620042, 620044  
CI 620032  
GI 652923  
YI 459930 -> max.-L Option  
YI 459932 -> mini-L Standard

see  
190433  
+ Option

■ 190930 bl  
BI 620038  
CI 690030  
GI 652923  
YI 459930 -> max.-L Option  
YI 459932 -> mini-L Standard

■ 190935 bl  
BI 620038  
CI 690035  
GI 652923  
YI 459930 -> max.-L Option  
YI 459932 -> mini-L Standard

aluminium

IRI Aluminium roller shutter guides without brush seals

■ 260406 SL 100mm  
BI 620038 AU 333mm  
CI - GU 579mm  
GI 659923  
YI 459930 -> max.-L  
YI 459932 -> mini-L

■ 260407 SL 131mm  
BI 620038 AU 435mm  
CI - GU 715mm  
GI 659923  
YI 459930 -> max.-L  
YI 459932 -> mini-L

■ 259305 -> IPI 259304  
-> IPI **aluskin** -> IPI 289304  
BI 620038 SL 124mm  
CI - AU 306mm  
GI - GU 550mm  
YI 459930 -> max.-L  
YI 459932 -> mini-L

Accessories

BI Inlet funnel

■ 620044 -> 120429, 120929, 190433  
■ 620042 -> 120429, 120929, 190433  
-> Roller shutter traverses 120230, 190274, ISI 259306

■ 620038 -> 190430, 190930, 190435, 190935  
IRI 259305, 260406, 260407

CI End caps

■ 620032 -> 120429, 120929

■ 690030 -> 190430, 190930  
■ 690035 -> 190435, 190935

GI Nipple screw / Clip

■ 652923 -> uPVC  
-> 120429, 120929, 190430, 190930, 190433, 190435, 190935

■ 659923 -> aluminium  
IRI 260406, 260407

YI Brush seals

■ 459930 bl -> max.-L  
-> 120429, 120929, 190430, 190930, 190433, 190435, 190935  
IRI 259305, 260406, 260407

■ 459932 bl -> mini-L  
-> 120429, 120929, 190430, 190930, 190433, 190435, 190935  
IRI 259305, 260406, 260407

Roller shutter

Roller shutter traverses

■ 190274

■ 190273

■ 144233  
IFI 249234

■ 249234 s=1.5mm, lx=12.6cm<sup>4</sup>

■ 120230  
IFI 1. 229107 s=2.0mm, lx=1.0cm<sup>4</sup>  
2. 229010 s=3.0mm, lx=9.9cm<sup>4</sup>  
3. 2x 229010 s=3.0mm, lx=19.7cm<sup>4</sup>

Accessories

IFI Reinforcements

■ 120230  
Ø5.5, a=250mm  
3) pierced hole  
IFI 229010<sup>3)</sup> 3.0mm 9.9 0.1  
IFI 229010<sup>3)</sup> 2x 3.0mm 19.7 0.2

■ 229107 2.0mm 1.0 0.4 +90°

■ 249234 1.5mm 12.6 2.0  
-> General -> 144233

ISI Aluminium profiles

■ 259306 -> IPI **aluskin**  
SL --- mm  
AU 111mm

Renovation box

Renovation box

■ 140240 -> 140235

■ 190299 -> 190298

■ 190298  
IFI 229107  
IXI 428320

■ 140235

Accessories

IFI Reinforcements

■ 229107 2.0mm 1.0 0.4 +90°  
-> 100x73, 100x78, 120230, 150x65, 190298

see plan: Reinforcements

IXI Gaskets

■ 429320 bl -> 190298

- not laminated
- laminated
- foam inside -> □

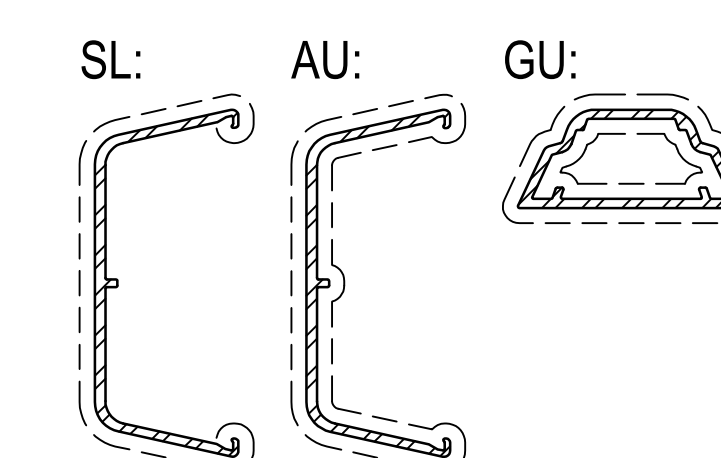
IPI **aluskin** Aluminium shells

-> for

Roller shutter slats  
mini-L ~ 8x37mm  
max.-L ~ 14x52mm

Brush seals  
bl black

SL visible length  
AU exterior perimeter  
GU overall perimeter





IDEAL 2000 / 4000 / 4000 NL / 5000 / 7000 / 8000

**AI Spacer**

see plan:  
Additional Profiles  
General

IDEAL 2000 1) 2) 3) 4)  
IDEAL 7000 / 8000 2) 4)

0mm 5mm

620301 620305  
IDEAL 2000 - 8000 2) 4)

-1mm

650250 red

1mm 5mm

650252 red 655251 gn  
IDEAL 4000 - 8000 2) 4)

1mm 5mm

680250 red 685251 gn  
IDEAL 2000 1) 2) 3) 4)  
IDEAL 4000 2) 4)  
IDEAL 5000 2) 4)

0mm 5mm

640301 640311

5mm

640320  
IDEAL 5000 1) 3)

12mm 13mm

650016 650321  
IDEAL 5000 / 8000 1) 3)

13mm 13mm

650018 650019  
IDEAL 7000 1) 3)

0mm

670301  
IDEAL 8000 1) 3)

12mm

680016

13mm 13mm

680321 650321  
IDEAL 8000 2) 4)

5mm

680319  
-> 180x26,  
180x47,  
180x69

1) Frame  
2) Sash / False mullion sash  
3) Mullion  
4) Transoms

**CI End caps**  
IDEAL 2000

620001 (CL)  
-> 120x63

620029  
-> 120x86,  
120x82

620414 (MB) 620415 (MB)  
-> 110x06,  
110x08,  
110x09,  
120x19

IDEAL 2000 7 4000 / 4000 NL

620097 (RL)  
-> 120x97  
IDEAL 4000 7 4000 NL

640066 (CL) 640067 (SL) 640065 (CL)  
-> 140x66 -> 140x67 -> 140x65

640082  
-> 140x76,  
140x77,  
140x82,  
140x84  
IDEAL 5000

650029 (CL) 650067 (CL) 650065 (CL)  
-> 150x68, -> 150x67 -> 150x65  
IDEAL 7000

670064 (CL) 670365 (CL) 670465 (CL)  
-> 170x64 -> 170x65 -> 170x65  
IDEAL 8000

680029 (CL) 680066 (CL) 680064 (CL)  
Set  
-> 080x89,  
180x69 -> 180x66 -> 180x64

**DI Connector P-Plastic**  
DI Connector without sticks

620046 P  
~35x20x1000 mm  
-> 120x41, 120x45,  
140x41, 140x47,  
170x41  
~universal

640046 P  
~45x20x1000 mm  
-> 140x45, 150x44,  
170x41, 170x44,  
180x44  
~universal

680046 P  
~35.4x17.9x1000 mm  
-> 180x46, 180x47  
~universal  
IDEAL 2000

629111 P  
629141 P  
627101 627102 620116  
-> 120x41, -> 120x41, -> 120x45  
120x45 120x45 120x45  
OI 620900 OI 620900 OI 620900  
~120xxx... ~120xxx... ~120xxx...  
IDEAL 2000 / 4000 IDEAL 4000 NL

640082  
-> 140x76,  
140x77,  
140x82,  
140x84  
IDEAL 5000

649131 P 649101 P  
647131 647132 647101 647102 647241  
-> 140x41, -> 140x41, -> 140x41,  
140x47 140x47 140x47 140x47  
OI 640900 OI 640901 OI 640941  
~140x4x... ~140x4x... ~0...  
IDEAL 4000 / 5000

647133 647103 647245  
-> 140x45 -> 140x45 -> 140x45  
OI 249009 OI 640901 OI 640941  
~140x4x... ~0...  
IDEAL 5000

647105 647246  
-> 140x46 -> 140x46  
OI 640900 OI 640941  
~140x4x... ~0...  
IDEAL 5000

657130 657134  
-> 150x44 -> 150x44  
OI 650950 OI 650950  
~150x0x... ~150x0x...  
XI 650032 XI 650032  
659032, 659032  
650033, 650033  
659033

**DI Connector P-Plastic**  
DI Connector without sticks  
IDEAL 7000 / 8000

677146 677145 677244  
-> 170x44 -> 170x44 -> 170x44  
OI 670950 OI 670950 OI 670950  
~170x4x... ~170x4x... ~0...  
IDEAL 7000

679141 P 677101 677241  
-> 170x41 -> 170x41 -> 170x41  
OI 670950 OI 670950 OI 670950  
~170x4x... ~170x4x... ~0...  
IDEAL 7000

677144 677142 687246  
-> 170x44 -> 170x41 -> 180x46  
OI 670950 OI 670950 OI -  
~170x3x... ~170x3x... ~0...  
IDEAL 8000

687131 687102  
-> 180x44 -> 180x44  
OI 680950 OI 680950  
~180x0x... ~180x0x...  
XI 650032 XI 650032  
659032, 659032  
650033, 650033  
659033

689147 P 689149 P  
-> 180x47 -> 180x47  
OI 680901 OI 680901  
~180x26... ~180x26...  
IDEAL 4000 - 8000

**EI Corner connector**  
IDEAL 2000 / 4000

620125 620126  
FI 229125, FI 229126,  
229129 229131  
OI 640938 OI 640938  
IDEAL 4000

640032 640038  
FI 249009 FI 229135,  
OI 640938 229137  
OI 640938 OI 640938  
IDEAL 4000 - 8000

640031 640038  
FI 229115, FI 229135,  
OI 640938 OI 640938

FI see plan:  
Reinforcements

**HI Installation / mounting anchor**  
see plan:  
Additional Profiles  
Structural profiles

**II Lifter**

620440 640441  
-> Sash -> Frame  
IDEAL 2000

620441 624015  
-> Frame -> Frame  
IDEAL 4000 - 8000

640015 640012  
-> Frame -> Frame

**JI Bonding of pane**

H [mm]

640033 red 3  
640034 ye 4  
640035 gn 5

H [mm]

640012 wh 12  
640013 red 13

H [mm]

640013 red 13  
IDEAL 2000 - 8000

H [mm]

640015 wh 12  
640019 ye 14

3.5mm >kg >kg  
642262 bl 642261 bl 642263 bl

646265 gr 646266 gr

Nord-line

4mm >kg >kg  
642230 bl 642233 bl 642232 bl  
energeto 5000 view

4mm >kg >kg  
652080 bl 652081 bl 652082 bl  
652083 bl

**LI Basic ventilation system**  
IDEAL 2000 - 8000

689350 bl  
687350 pw  
Basic Air max

**OI Mounting accessories**  
IDEAL 2000

620900  
-> DI 627101, 627102, 627107, 629111  
-> DI 620116, 627131, 627132, 629141  
IDEAL 2000 / 4000 / 5000

640900 640941  
-> DI 647131, -> DI -  
647132, -> DI 647241,  
649131 647245,  
-> DI 647101, 647246  
647102, 647105,  
649101  
IDEAL 4000 / 5000 IDEAL 5000

640901 650950  
-> DI 677133 -> DI 657130,  
-> DI 647136, 657134  
677103 -> DI 657030  
IDEAL 7000 / 8000

670950  
-> DI 677101, 677145, 677146, 679141  
-> DI 677142, 677144, 677241, 677244  
IDEAL 8000

680950 680901  
-> DI 687131 -> DI 689147,  
-> DI 687102 689149

640938  
-> EI 620125, 620126, 640031, 640032,  
640038, 690226, 690227

**PI see plan:**  
alusklin  
Aluminium shells  
IDEAL 4000 - 8000

**XI Gaskets**

459922 bl 459925 bl 459923 bl  
- pw 450925 pw - pw  
453925 oc

429330 bl 429338 bl  
420330 wh - pw  
IDEAL 2000

429921 bl 429340 bl 429320 bl  
427921 pw 420340 pw - pw  
Standard Standard  
IDEAL 4000 - 8000

479015 bl 449980 bl 449340 bl  
477015 pw 447980 pw 447340 pw  
Standard Standard

449343 bl  
447343 pw  
IDEAL 5000 / 8000 IDEAL 4000 NL

449357 (NL)  
440357 wh  
DI 647057  
IDEAL 7000 NL

650032 wh 650033 wh 440357 wh  
-> 150x44, -> 150x44, 180x44  
DI 657130, DI 657130, 180x44  
657134, DI 657134,  
687131 687131  
DI 657030, DI 657030,  
687102 687102

479057 (NL)  
470057 wh  
DI 677101,  
679141

**ZI Special accessories**  
IDEAL 5000

650292  
~43x20x1000 mm  
-> 050x04

650290  
~14x34x1000 mm  
-> 050x03, 050x04  
IDEAL 5000 / 8000

650295  
~40x27x1000 mm  
-> 050x20, 150x20,  
150x22, 150x26,  
150x27  
-> 080x20, 180x20,  
180x27  
IDEAL 8000

680291  
~19x24x1000 mm  
-> 080x04, 080x05

680290  
~22.5x32.5x1000 mm  
-> 080x04, 080x05

680289  
~52x20x1000 mm  
-> 080x04, 180x04

Aluminium threshold / Aluminium step protection

**CI End caps**  
IDEAL 4000 / (MB) / NL

646052 gr 646062 gr  
TI 247052 UI 249062

**II Aluminium step protection**  
IDEAL 2000 / 4000 / 5000

227300 227303  
227300 227303 (CL)  
227300 227305 (CL)  
IDEAL 7000 / 8000

247300 227305 (CL)  
IDEAL 7000 / 8000

287301 287303  
287301 (CL) 287303 (CL)

**III Aluminium weather bar**

247052 249089  
CI 646052 XI 440036

**UI Aluminium threshold**  
IDEAL 2000  
-> 60 mm

229060 gr 20/60mm  
249060 gr 20/70mm  
249060 gr 20/70mm  
269060 gr 20/85mm  
249058 gr 20/120mm  
for main entrance door opening outwards  
IDEAL 4000 / 4000 (MB) / 4000 NL  
-> 70 mm Sash

249062  
CI 646062  
UI 249058, 249060, 269060  
XI 447340, 449340, 447343, 449343

227301  
XI 420340, 429340

227302  
XI 420340, 429340

227306  
XI 420340, 429340

**VI Aluminium threshold**

699112  
IDEAL 8000

287060 287061  
UI 287061 XI 689360

287060 287061  
UI 287060

**VI Connection for threshold**  
IDEAL 2000  
-> 60 mm

626070 gr  
Set  
-> 120x07  
IDEAL 4000 7 5000 -> 70 mm

646022 gr 646070 gr  
Set -> 040x02 -> 140x08  
XI 446071 XI 446071

646071 gr 646072 gr  
Set -> 040x07, -> 140x03,  
140x07, 050x03,  
150x02 150x03  
XI 446071 XI 446071

646078 gr 656078 gr  
Set -> 140x81 -> 050x04  
IDEAL 4000 (MB) -> 120 mm

646079 gr 646076 gr  
Set -> 040x92 -> 140x91  
IDEAL 4000 NL -> 120 mm

646077 (NL)  
Set  
-> 140x53  
IDEAL 7000 / 8000 -> 85 mm

686475 gr 686471 gr  
Set -> 170x02 -> 070x03,  
XI 486071 XI 486071 170x03,  
180x05,  
180x05  
XI 486071

686474 gr  
Set  
-> 080x04,  
180x04  
XI 486071

**MI Mullion coupler**  
IDEAL 2000  
-> 60 mm

626072 gr  
Set  
-> 120x41,  
120x45  
IDEAL 4000 7 5000  
-> 70 mm

646074 gr 646073 gr  
Set -> 140x41 Set -> 140x47

646075 gr  
Set  
-> 140x45,  
150x44  
IDEAL 7000 / 8000  
-> 85 mm

686473 gr  
Set  
-> 170x44,  
180x44

**XI Gaskets**

uPVC wh 20 17

499910 bl 156252 gr  
-> MD

440036 wh 429340 bl  
TI 249089 -> UI 227301,  
227302,  
227306

446091 gr 449343 bl  
476091 gr 447343 pw  
-> Frame -> Mullion  
UI 249062

446092 gr 449340 bl  
476092 gr 447340 pw  
-> Sash UI 249062

-> False mullion

486071 gr 446071 gr  
VI 686471, Set (+)  
686474, 686475 VI 646022,  
646070, 646071,  
646072

689360 (A)  
Set (+)  
UI 287060

■ not laminated (CL) Classic-line ye yellow  
■ laminated (RL) Round-line gn green  
-> for (MB) Monobloc gr grey  
Glazing rebate (NL) e.g. IDEAL 4000 NL oc ochre  
OI -> AI or OI = Option red red  
OI -> JI -> Nord-line (A) aluplast austria bl black  
OI -> JI -> energeto 5000 view wh white

Construction depth  
-> 60mm -> IDEAL 2000  
-> 70mm -> IDEAL 4000 / 5000  
-> 85mm -> IDEAL 7000 / 8000  
-> 120mm -> IDEAL 4000 (MB) / 4000 NL

-> AD for backstop gasket systems  
-> IDEAL 2000 / 4000 / 7000  
-> MD for centre gasket systems  
-> IDEAL 5000 / 8000



IP | **aluskin** Aluminium shells

IP -> Frame  
IDEAL 4000 / 5000

IDEAL 5000

IDEAL 7000

IDEAL 7000 / 8000

IDEAL 8000

Legend:  
 SL: visible length  
 AU: exterior perimeter  
 GU: overall perimeter  
 (CL) Classic-line  
 (RL) Round-line  
 (SL) Soft-line  
 bl: black  
 pw: papyrus-white  
 gn: green  
 + IPI see plan: energeto 5000 view

IP -> Sash  
IDEAL 4000

IDEAL 5000

IDEAL 7000

IDEAL 8000

IP -> Mullion / Transoms  
IDEAL 4000 / 5000

IDEAL 7000 / 8000

IP -> False mullion  
IDEAL 4000

IDEAL 5000 / 8000

Legend:  
 SL: visible length  
 AU: exterior perimeter  
 GU: overall perimeter  
 (CL) Classic-line  
 (RL) Round-line  
 (SL) Soft-line  
 bl: black  
 pw: papyrus-white  
 gn: green  
 + IPI see plan: energeto 5000 view

Additional Profiles

IP -> Extension profile

Legend:  
 SL: visible length  
 AU: exterior perimeter  
 GU: overall perimeter

Couplings -> IPI

Legend:  
 bl: black  
 gn: green

IP -> Exterior window sills

Legend:  
 SL: visible length  
 AU: exterior perimeter

RI Aluminium roller shutter guides + Accessories see plan

Additional Profiles:

260406, 260407	4/4
259305 -> IPI 259304, 259404, 289304	4/4

SI Aluminium profiles + Accessories see plan

Additional Profiles:

229080	1/4
289210, 289211	2/4
229246	3/4
257306 -> IPI <b>aluskin</b>	4/4

TI Aluminium weather bar

Legend:  
 SL: visible length  
 AU: exterior perimeter

GI Nipple screw / Clip

640951 -> IPI **aluskin**

Accessories

GI Nipple screw / Clip

... 209391, 249312, 249313, 249314, 259304, 259311, 259403, 259404, 279402, 289304, 289313, 289314

654930 -> aluminium -> IPI ...

GI Mounting accessories

640951 -> IPI **aluskin**

IXI Gaskets

459951 bl or 449986 bl  
 - pw or 447986 pw  
 - Glazing -> Glazing

429320 bl or 449346 bl  
 - pw or 447346 pw  
 - Stop -> Stop

259369 (CL) -> 150x69 (CL)

289489 (CL) -> 080x89 (CL)

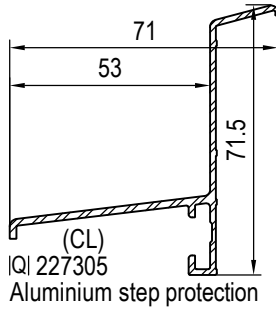
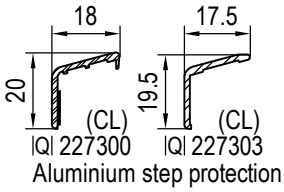
289369 (CL) -> 180x69 (CL)

Legend:  
 SL: visible length  
 AU: exterior perimeter

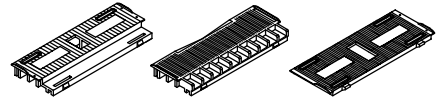


Table of reinforcement profiles with columns for profile type (FI), dimensions (x, y, lx, ly), thickness (s), and material specifications. Includes technical drawings of various profiles and their cross-sections.

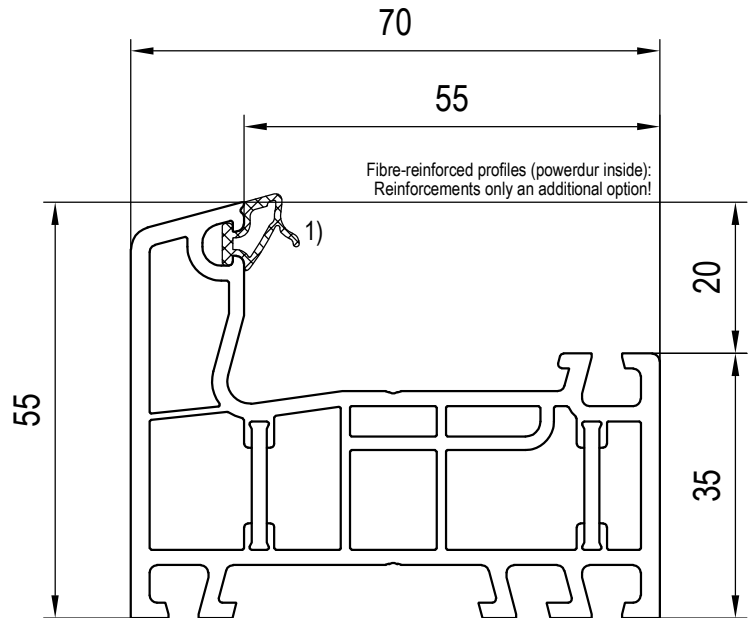




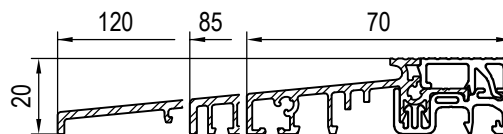
IAI ... refer to chapter 03 A



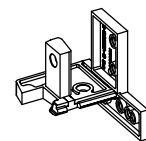
IAI 640311 Spacer t = 5mm 4-25(26)mm  
IAI 640320 Spacer t = 5mm 4-41(42)mm  
IAI 640301 Glazing t = 0mm 4-41(42)mm



IXI 446071 gr  
Set (l+r)  
Gaskets



IUI 249058 IUI 269060 IUI 249060  
Aluminium thresholds



IUI 646022 -> IUI  
Threshold connector  
IXI 446071

1) Integrated gasket(s): see current price list

Scale 1:2, 1:1

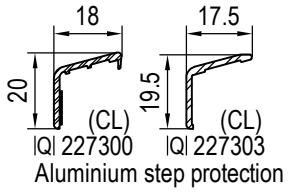
02\_B\_01\_4\*

en May be subject to change and errors excepted!

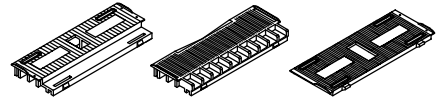
**fibre-reinforced  
Classic-line (CL)**

frame - dormant - telaio - marco - Rahmen

**Main Profiles: Frames  
Frame 55mm: 040x02**



IAI ... refer to chapter 03 A



IAI 640311

IAI 640320

IAI 640301

Spacer

t = 5mm

t = 5mm

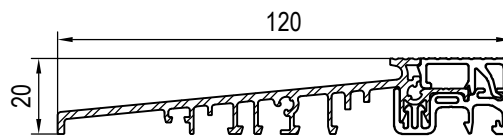
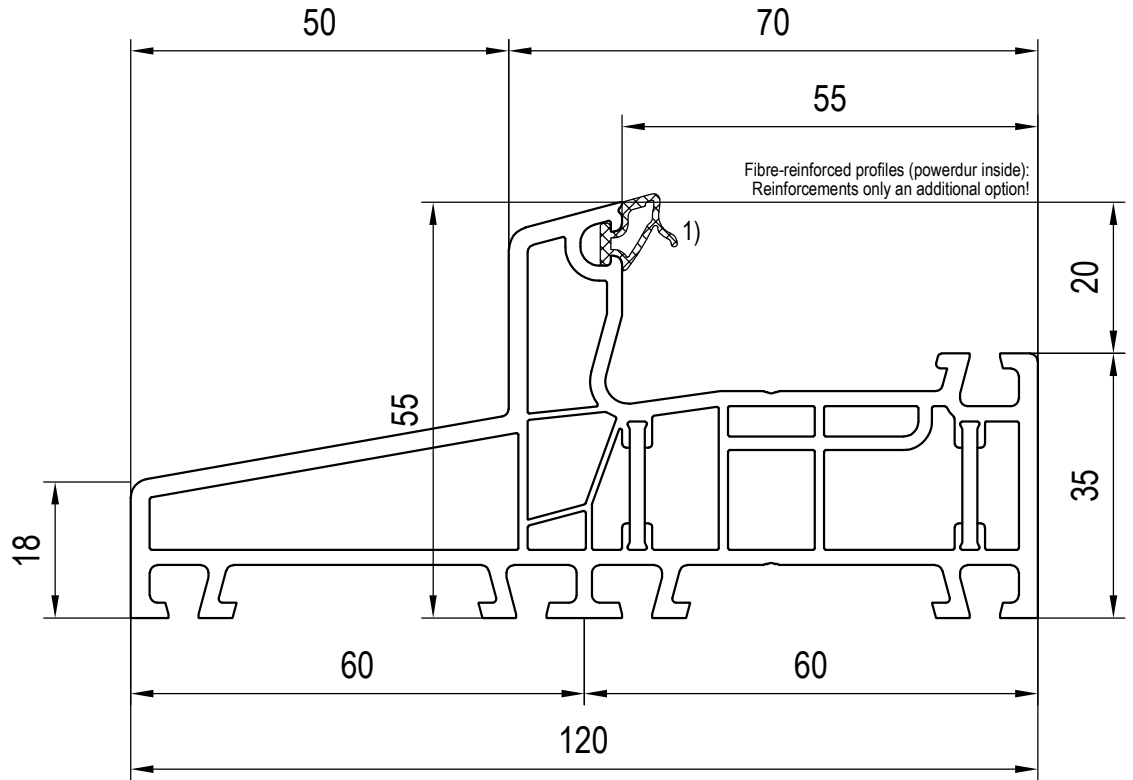
t = 0mm

4-25(26)mm

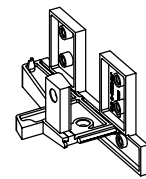
4-41(42)mm

4-41(42)mm

Glazing



IUI 249058  
Aluminium thresholds



IUI 646079 -> IUI  
Threshold connector

1) Integrated gasket(s): see current price list

Scale 1:2, 1:1

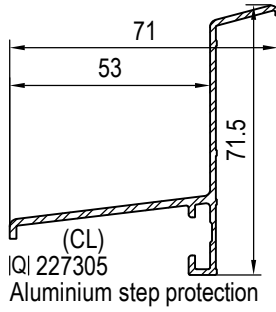
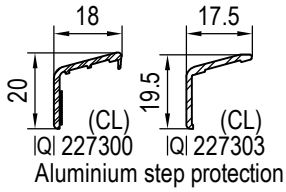
02\_B\_01\_4\*

en May be subject to change and errors excepted!

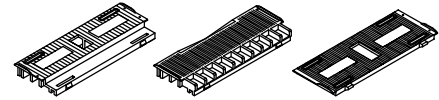
fibre-reinforced  
Classic-line (CL) (MB) Monobloc

frame - dormant - telaio - marco - Rahmen

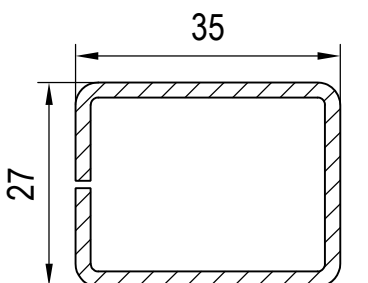
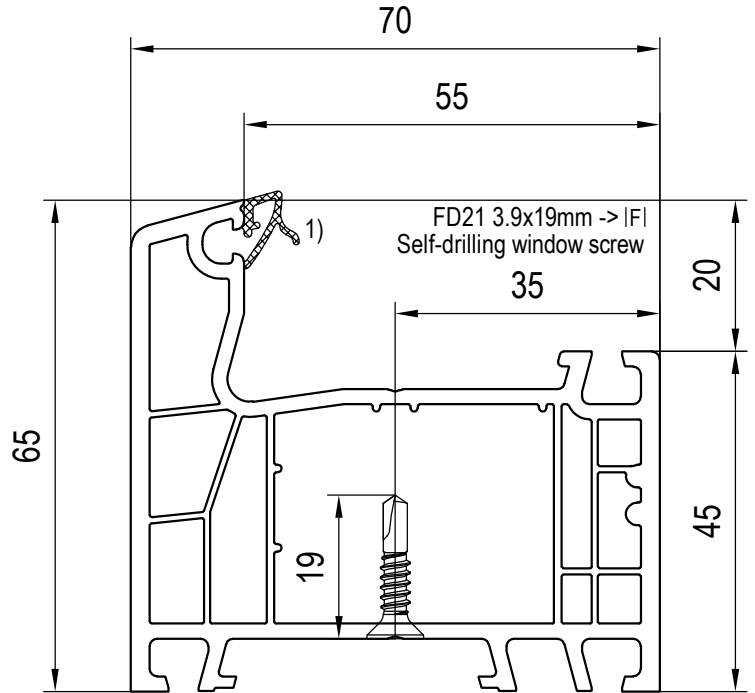
Main Profiles: Frames  
Frame 55 x 120mm: 040x92



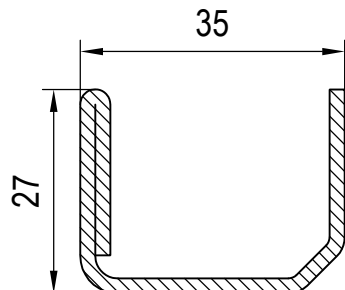
IAI ... refer to chapter 03 A



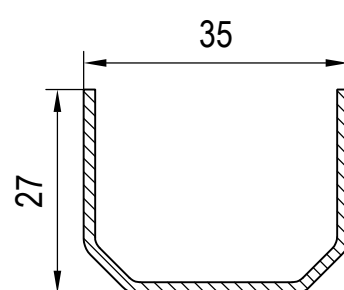
IAI 640311 IAI 640320 IAI 640301  
Spacer  
t = 5mm t = 5mm t = 0mm  
4-25(26)mm 4-41(42)mm 4-41(42)mm Glazing



IFI 229029 s=1.25mm 2.5/1.7cm<sup>4</sup>  
IFI 229030 s=2.0mm 3.7/2.5cm<sup>4</sup>  
Reinforcements



IFI 229024 s=1.5mm 3.0/1.1cm<sup>4</sup>  
IFI 229026 s=2.0mm 3.8/1.5cm<sup>4</sup>  
IFI 249026 s=3.0mm 5.1/2.1cm<sup>4</sup>  
Reinforcements



IFI 229023 s=1.5mm 2.3/0.9cm<sup>4</sup>  
IFI 229025 s=1.0mm 1.6/0.6cm<sup>4</sup>  
Reinforcements

1) Integrated gasket(s): see current price list

Scale 1:2, 1:1

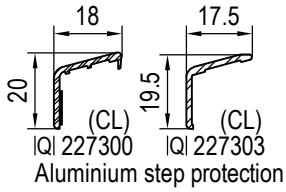
02\_B\_01\_4\*

en May be subject to change and errors excepted!

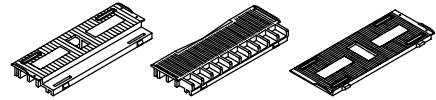
Classic-line (CL)

frame - dormant - telaio - marco - Rahmen

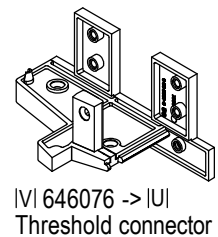
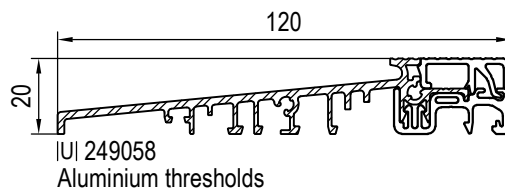
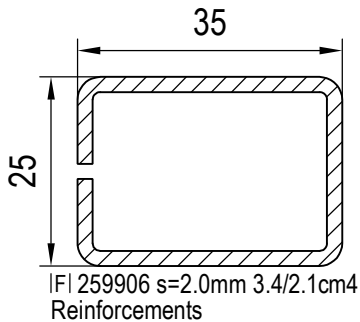
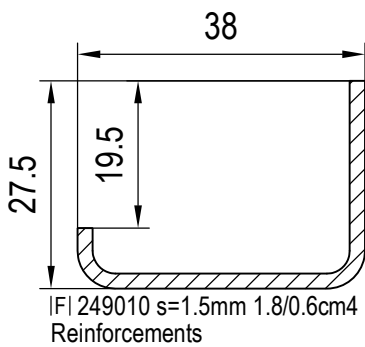
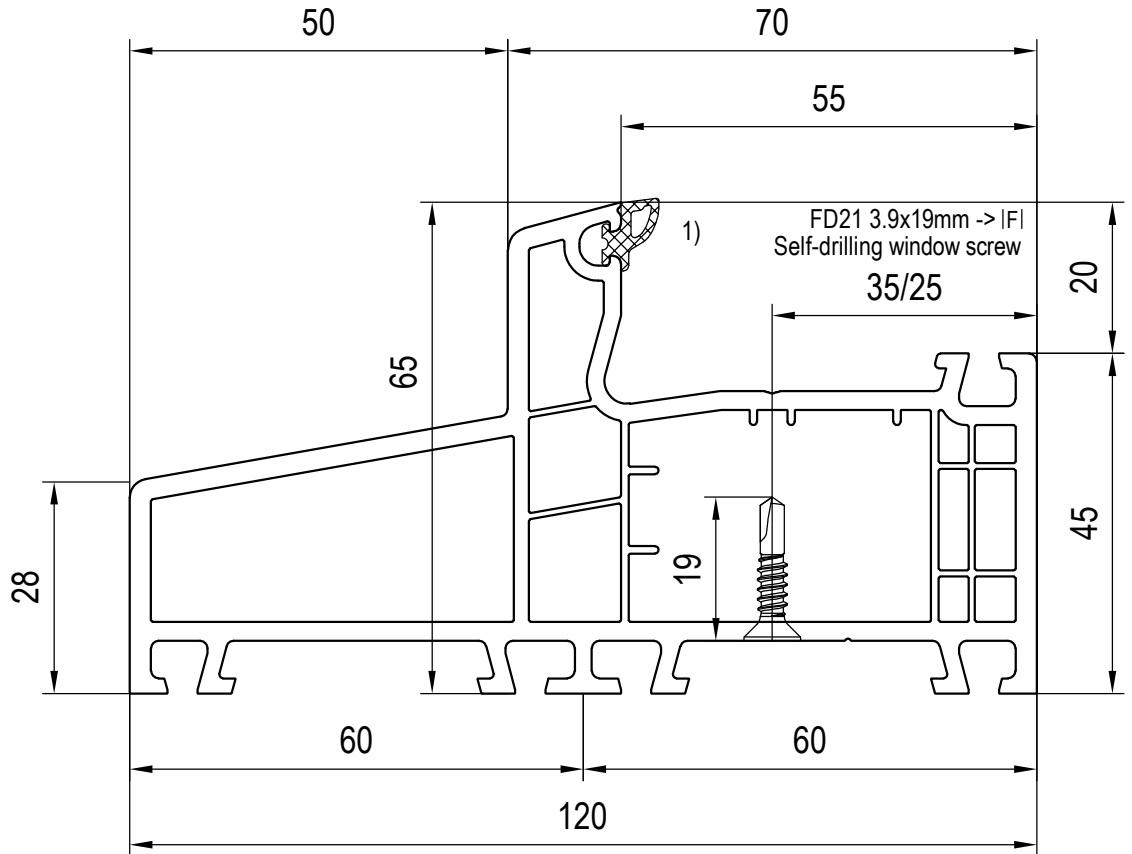
Main Profiles: Frames  
Frame 65mm: 140x01



IAI ... refer to chapter 03 A



IAI 640311 IAI 640320 IAI 640301  
Spacer  
t = 5mm t = 5mm t = 0mm  
4-25(26)mm 4-41(42)mm 4-41(42)mm Glazing



1) Integrated gasket(s): see current price list

Scale 1:2, 1:1

02\_B\_01\_4\*

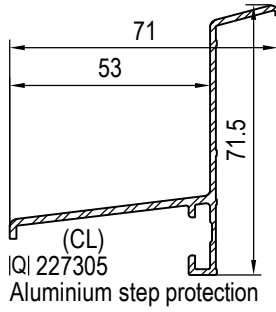
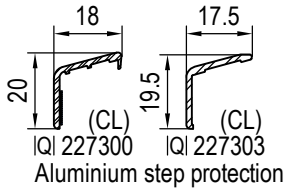
en May be subject to change and errors excepted!

frame - dormant - telaio - marco - Rahmen

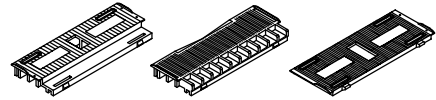
Main Profiles: Frames

Frame 65 x 120mm: 140x91

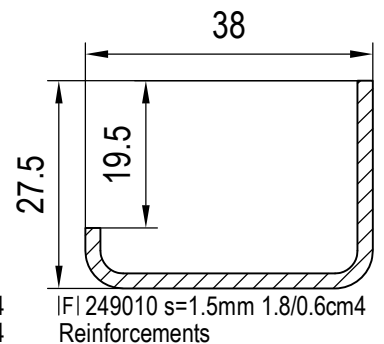
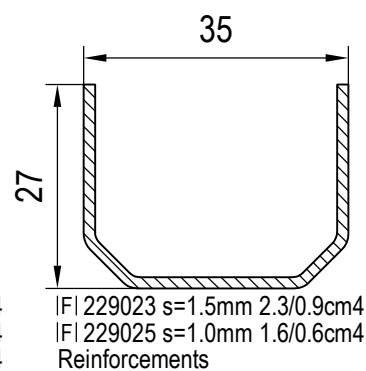
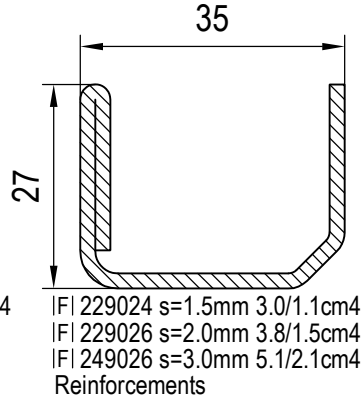
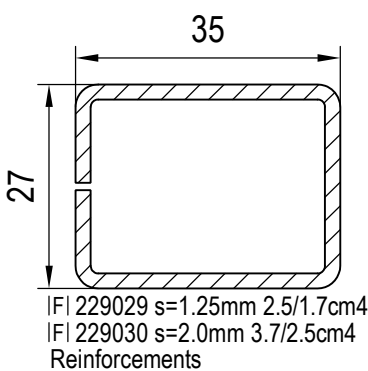
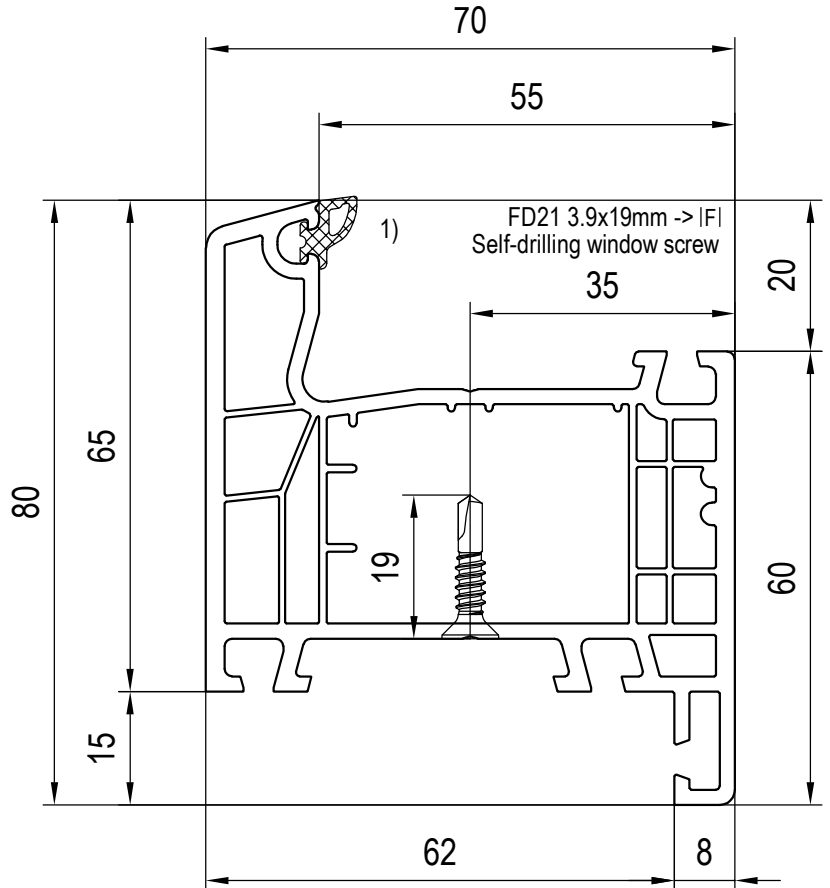
Classic-line (CL) (MB) Monobloc



IAI ... refer to chapter 03 A



IAI 640311 Spacer t = 5mm 4-25(26)mm  
IAI 640320 Spacer t = 5mm 4-41(42)mm  
IAI 640301 Glazing t = 0mm 4-41(42)mm



1) Integrated gasket(s): see current price list

Scale 1:2, 1:1

02\_B\_01\_4\*

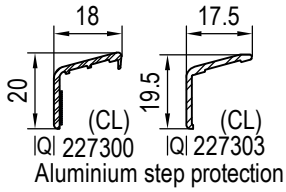
en May be subject to change and errors excepted!

frame - dormant - telaio - marco - Rahmen

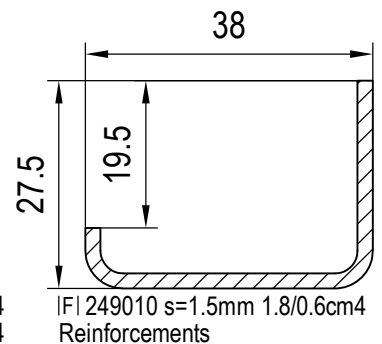
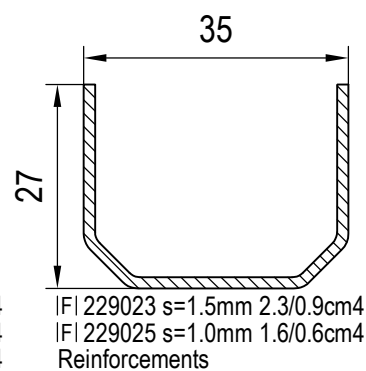
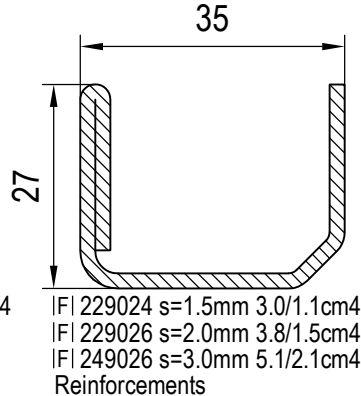
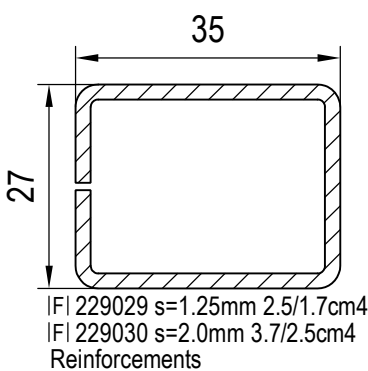
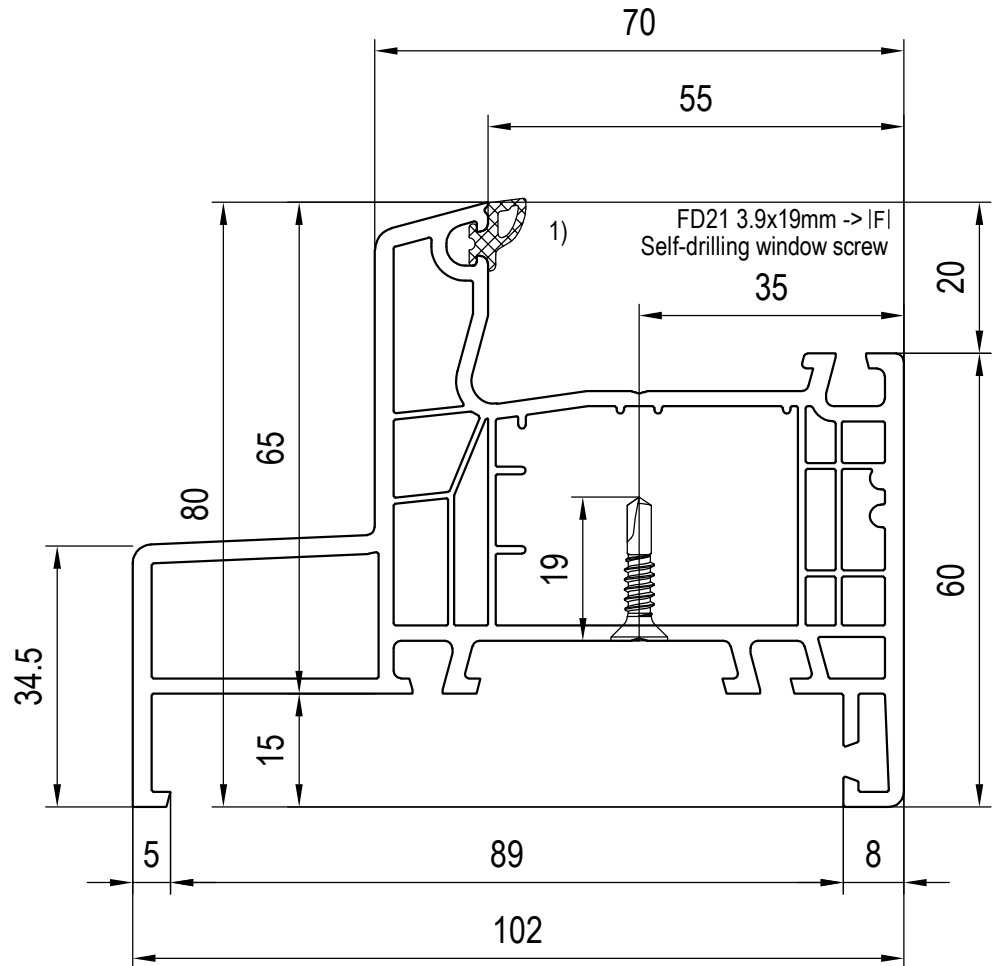
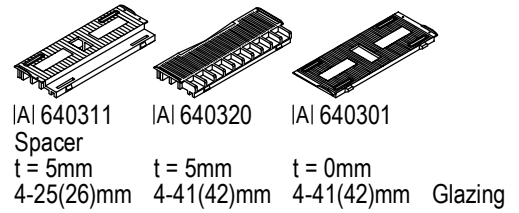
**Main Profiles: Frames**

**Frame 65/80 x 70mm: 140x12**

Classic-line (CL) (MB) Monobloc



IAI ... refer to chapter 03 A



1) Integrated gasket(s): see current price list

Scale 1:2, 1:1

02\_B\_01\_4\*

en May be subject to change and errors excepted!

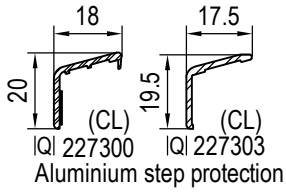
frame - dormant - telaio - marco - Rahmen

Main Profiles: Frames

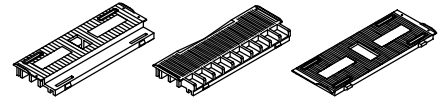
Frame 65/80 x 102mm: 140x14

Classic-line (CL) (MB) Monobloc

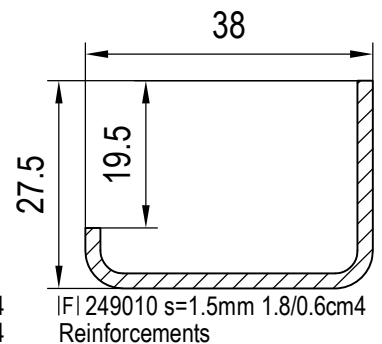
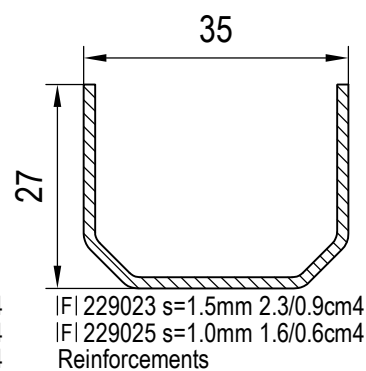
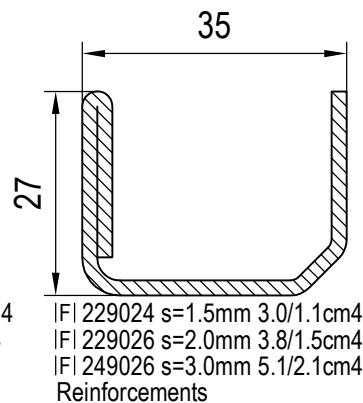
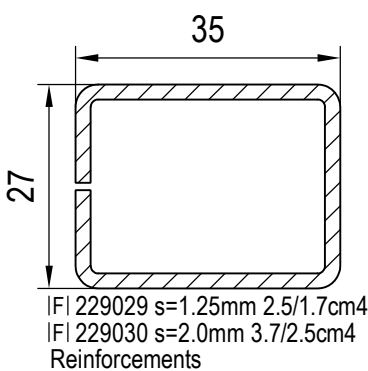
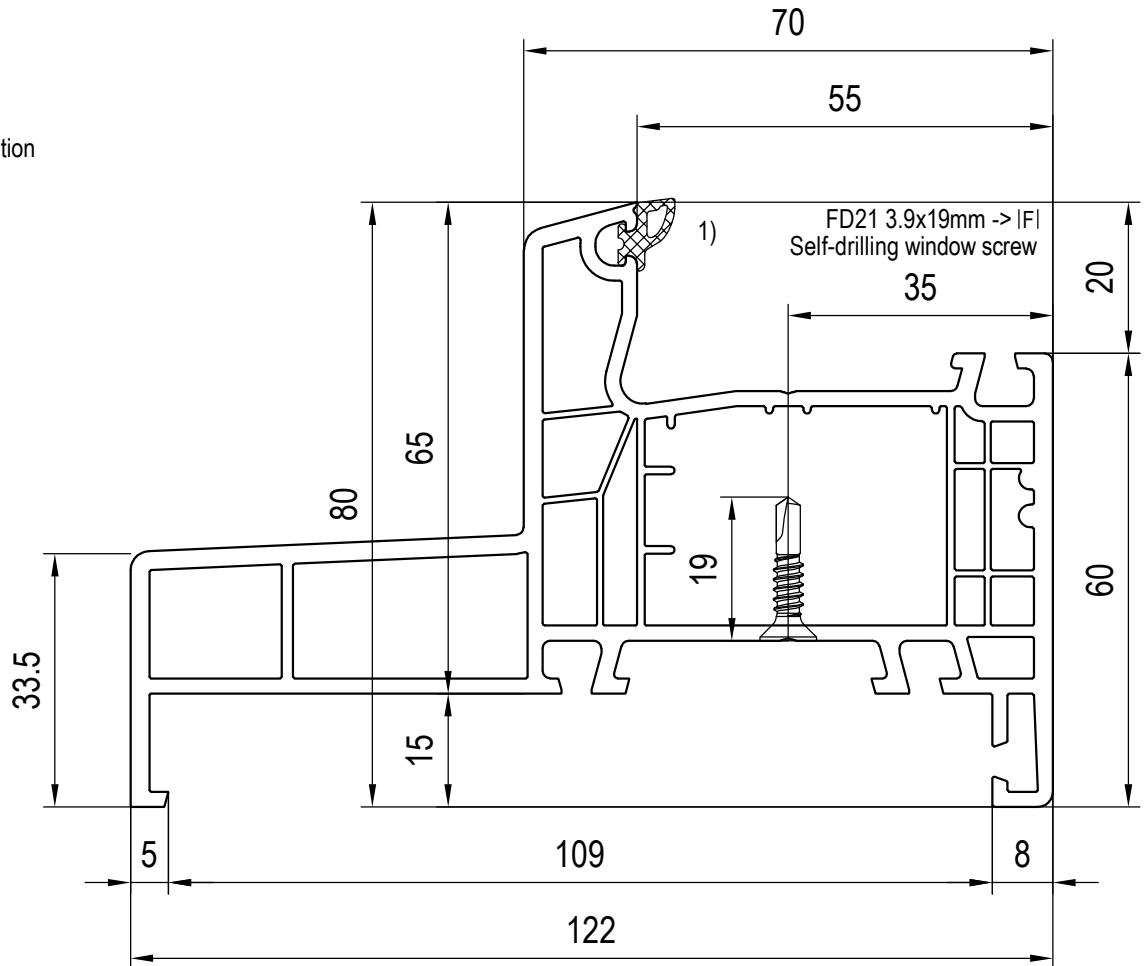




IAI ... refer to chapter 03 A



IAI 640311 IAI 640320 IAI 640301  
Spacer  
t = 5mm t = 5mm t = 0mm  
4-25(26)mm 4-41(42)mm 4-41(42)mm Glazing



1) Integrated gasket(s): see current price list

Scale 1:2, 1:1

02\_B\_01\_4\*

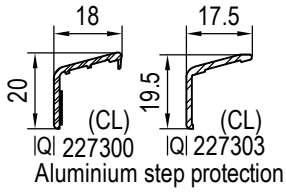
en May be subject to change and errors excepted!

frame - dormant - telaio - marco - Rahmen

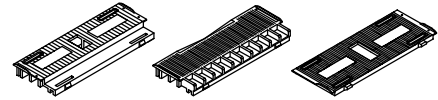
Main Profiles: Frames

Frame 65/80 x 122mm: 140x16

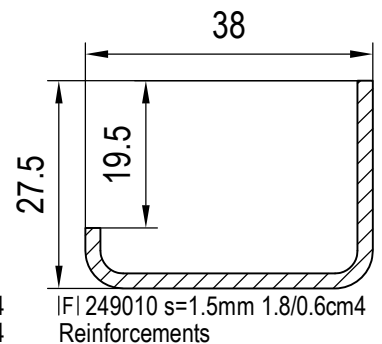
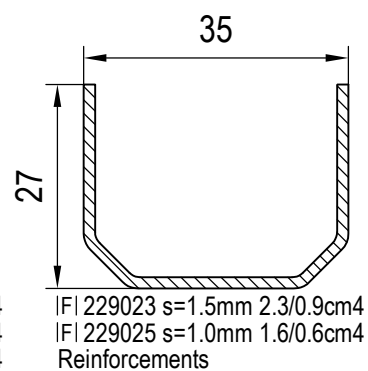
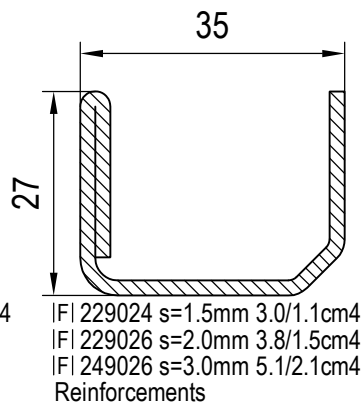
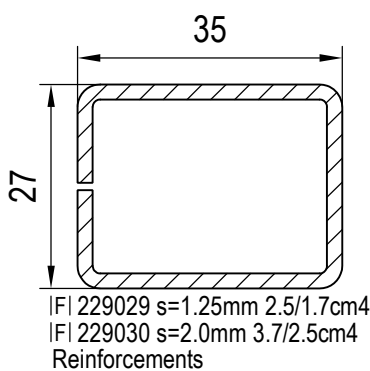
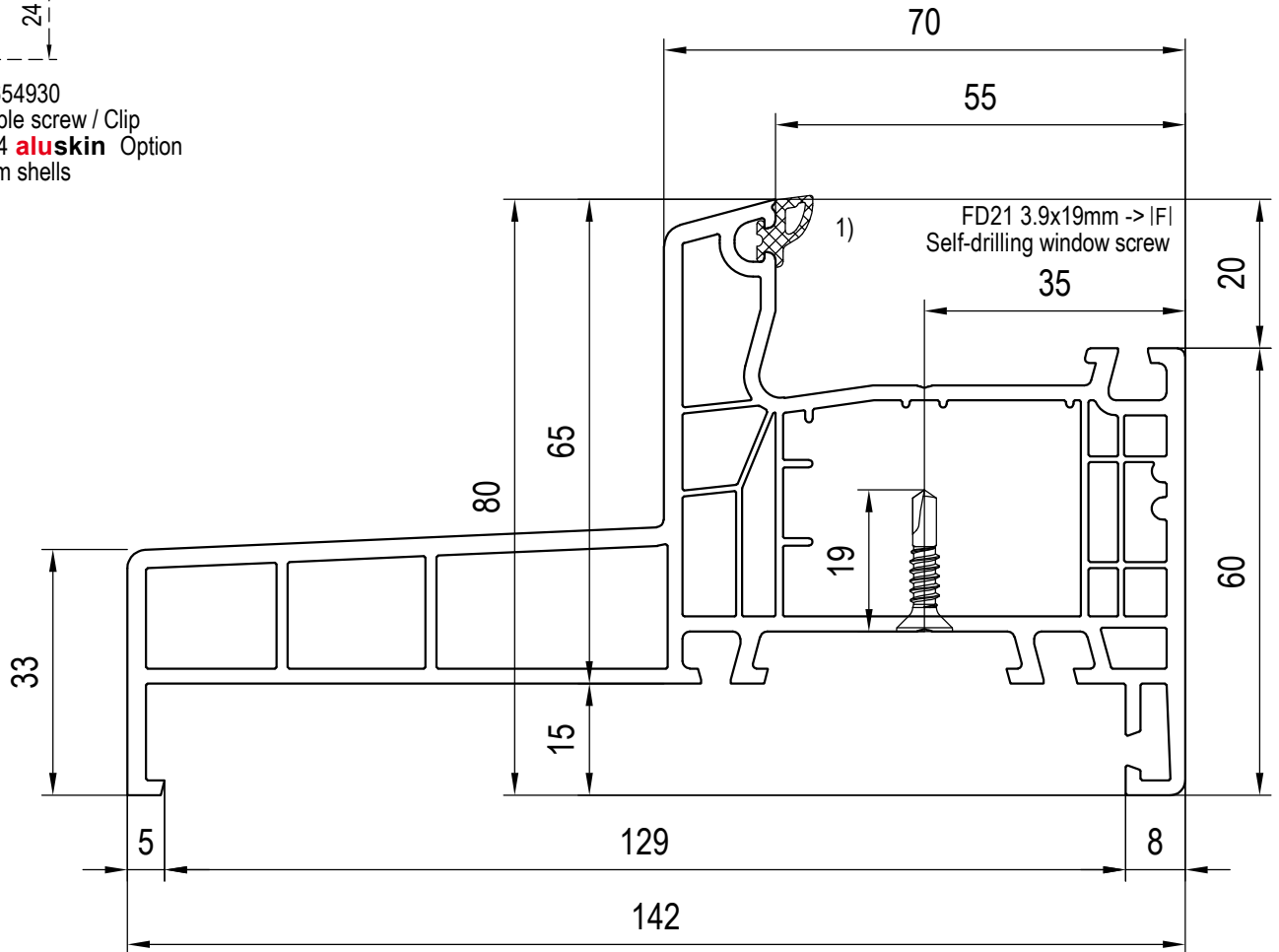
Classic-line (CL) (MB) Monobloc



IAI ... refer to chapter 03 A



IAI 640311 IAI 640320 IAI 640301  
Spacer  
t = 5mm t = 5mm t = 0mm  
4-25(26)mm 4-41(42)mm 4-41(42)mm Glazing



1) Integrated gasket(s): see current price list

Scale 1:2, 1:1

02\_B\_01\_4\*

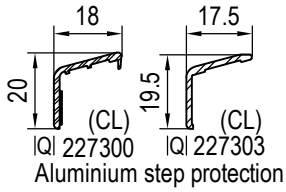
en May be subject to change and errors excepted!

frame - dormant - telaio - marco - Rahmen

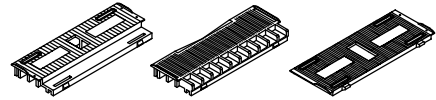
Main Profiles: Frames

Frame 65/80 x 142mm: 140x18

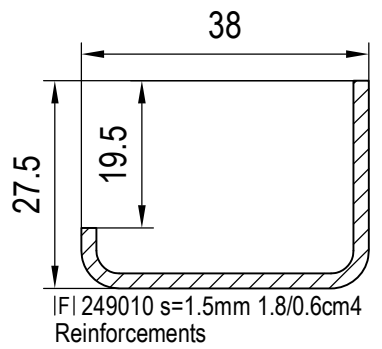
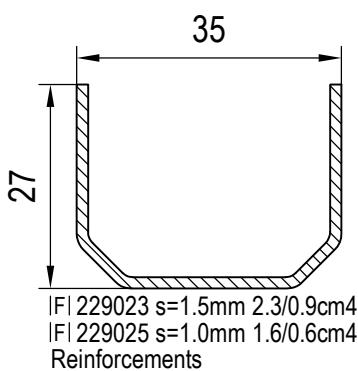
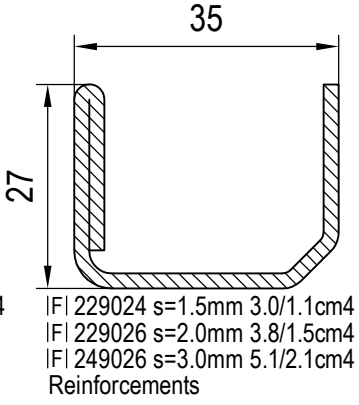
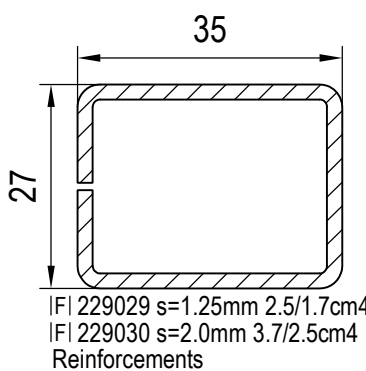
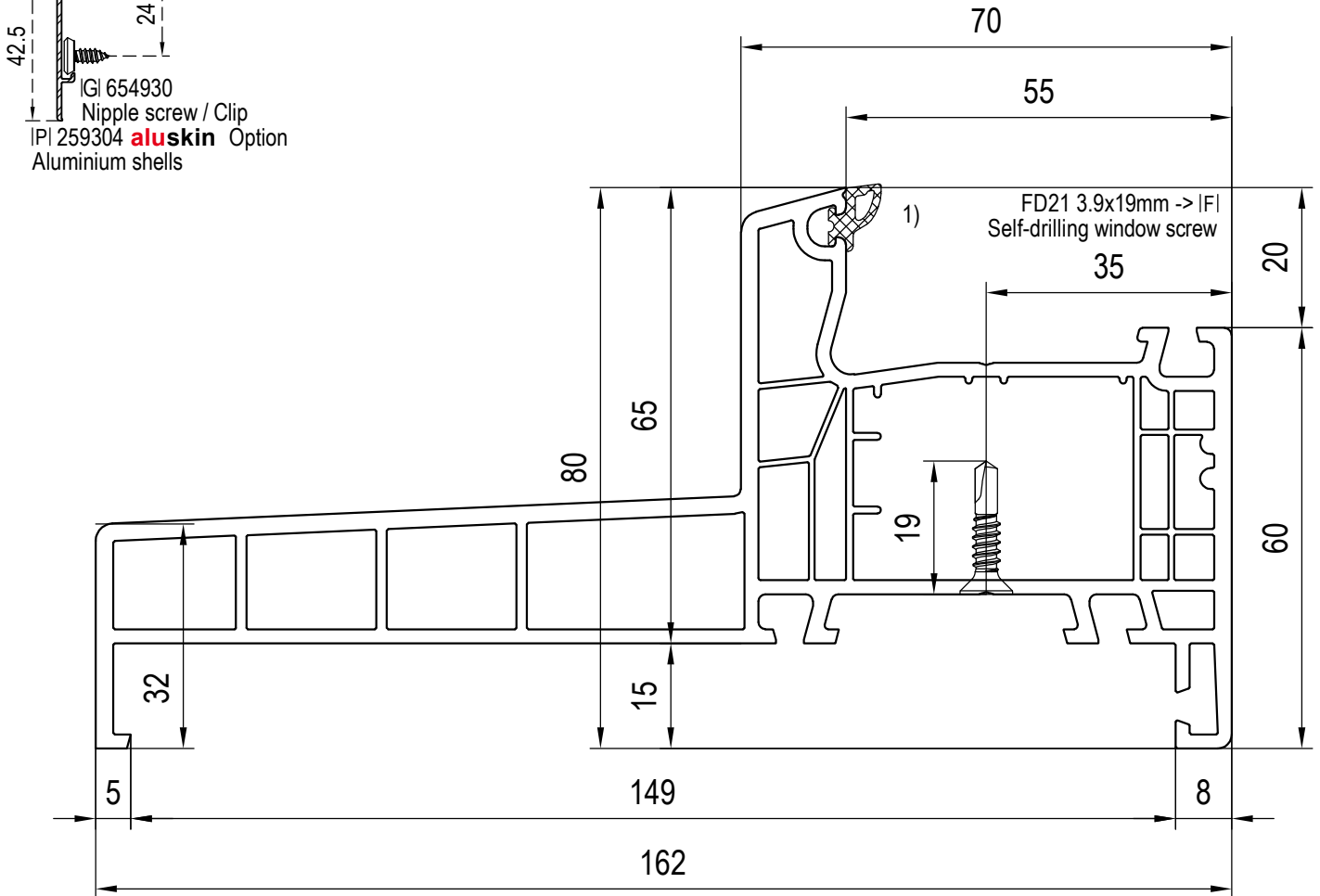
Classic-line (CL) (MB) Monobloc



IAI ... refer to chapter 03 A



IAI 640311 IAI 640320 IAI 640301  
Spacer  
t = 5mm t = 5mm t = 0mm  
4-25(26)mm 4-41(42)mm 4-41(42)mm Glazing



1) Integrated gasket(s): see current price list

Scale 1:2, 1:1

02\_B\_01\_4\*

en May be subject to change and errors excepted!

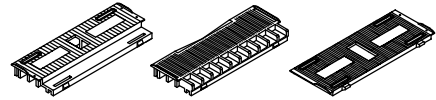
frame - dormant - telaio - marco - Rahmen

Main Profiles: Frames

Frame 65/80 x 162mm: 140x19

Classic-line (CL) (MB) Monobloc

IAI ... refer to chapter 03 A



IAI 640311

IAI 640320

IAI 640301

Spacer

t = 5mm

t = 5mm

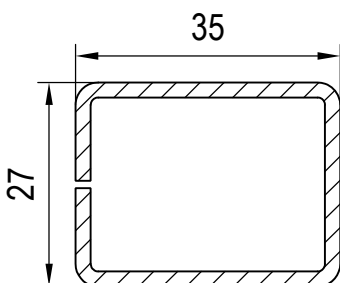
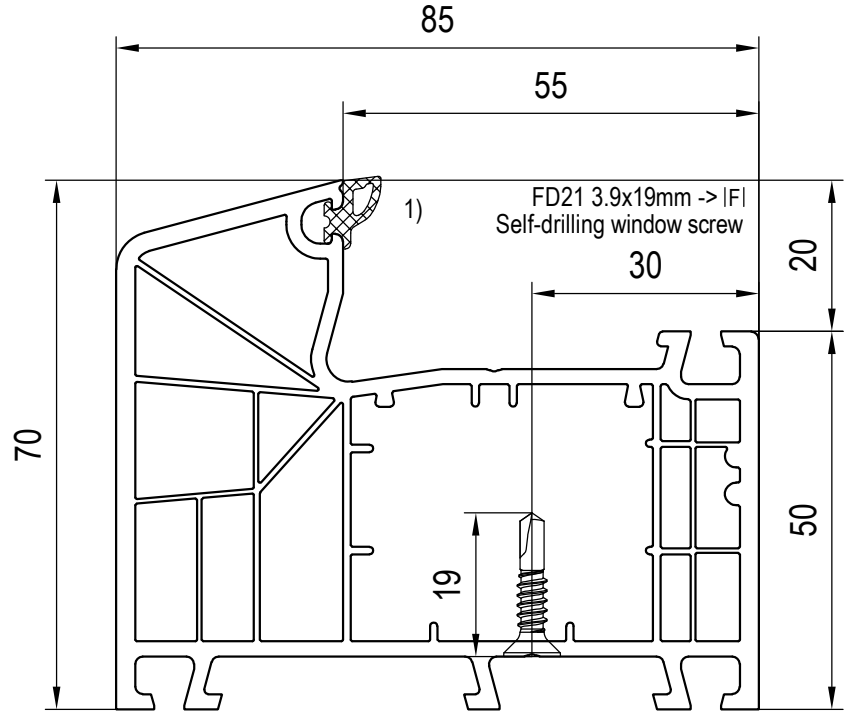
t = 0mm

4-25(26)mm

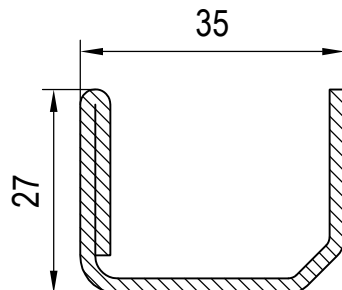
4-41(42)mm

4-41(42)mm

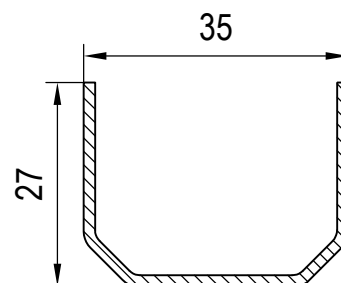
Glazing



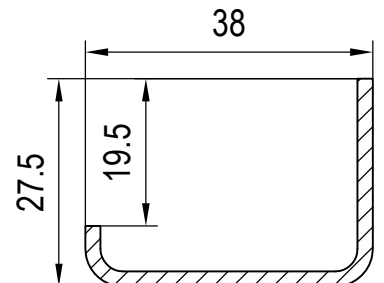
IFI 229029 s=1.25mm 2.5/1.7cm<sup>4</sup>  
IFI 229030 s=2.0mm 3.7/2.5cm<sup>4</sup>  
Reinforcements



IFI 229024 s=1.5mm 3.0/1.1cm<sup>4</sup>  
IFI 229026 s=2.0mm 3.8/1.5cm<sup>4</sup>  
IFI 249026 s=3.0mm 5.1/2.1cm<sup>4</sup>  
Reinforcements



IFI 229023 s=1.5mm 2.3/0.9cm<sup>4</sup>  
IFI 229025 s=1.0mm 1.6/0.6cm<sup>4</sup>  
Reinforcements



IFI 249010 s=1.5mm 1.8/0.6cm<sup>4</sup>  
Reinforcements

1) Integrated gasket(s): see current price list

Scale 1:2, 1:1

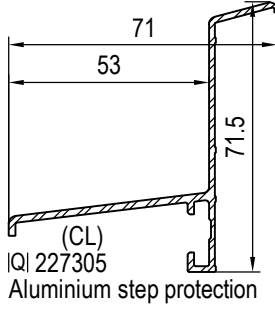
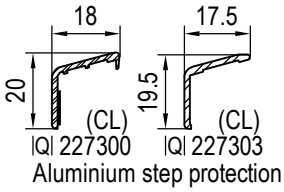
02\_B\_01\_4\*

en May be subject to change and errors excepted!

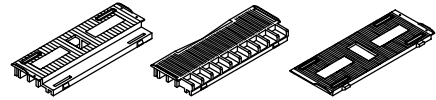
Classic-line (CL)

frame - dormant - telaio - marco - Rahmen

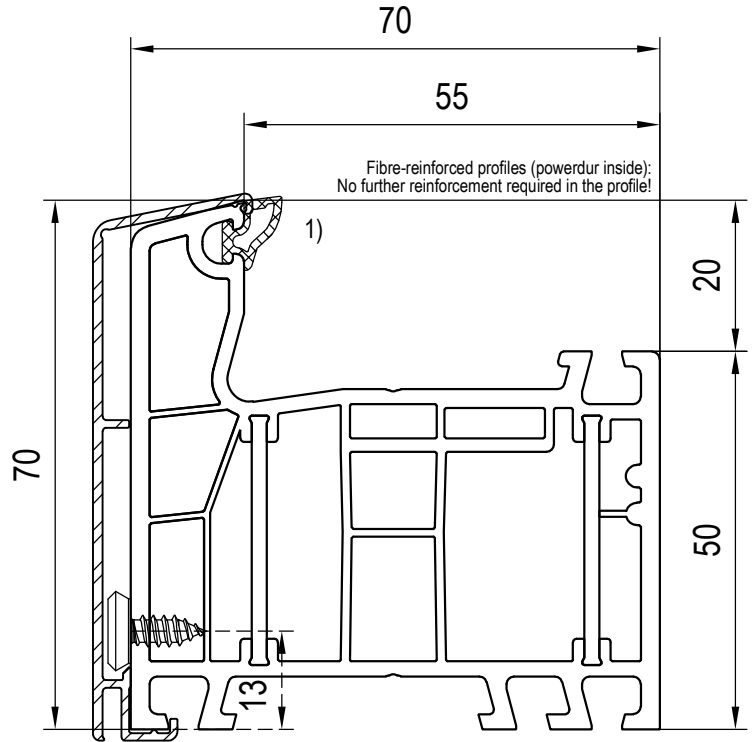
Main Profiles: Frames  
Frame 70 x 85mm: 140x00



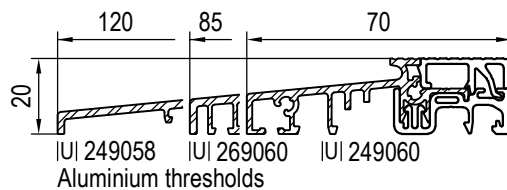
IAI ... refer to chapter 03 A



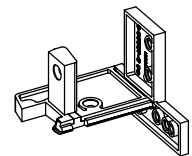
IAI 640311 Spacer t = 5mm 4-25(26)mm  
IAI 640320 Spacer t = 5mm 4-41(42)mm  
IAI 640301 Glazing t = 0mm 4-41(42)mm



IPI 249312 **aluskin**  
Aluminium shells  
IGI 654930 Option  
Nipple screw / Clip



IXI 446071 gr  
Set (l+r)  
Gaskets



IUI 646071 -> IUI  
Threshold connector  
IXI 446071

1) Integrated gasket(s): see current price list

Scale 1:2, 1:1

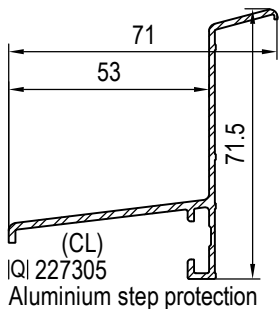
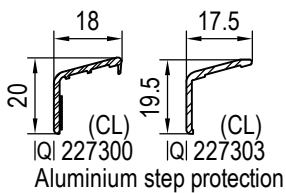
02\_B\_01\_4\*

en May be subject to change and errors excepted!

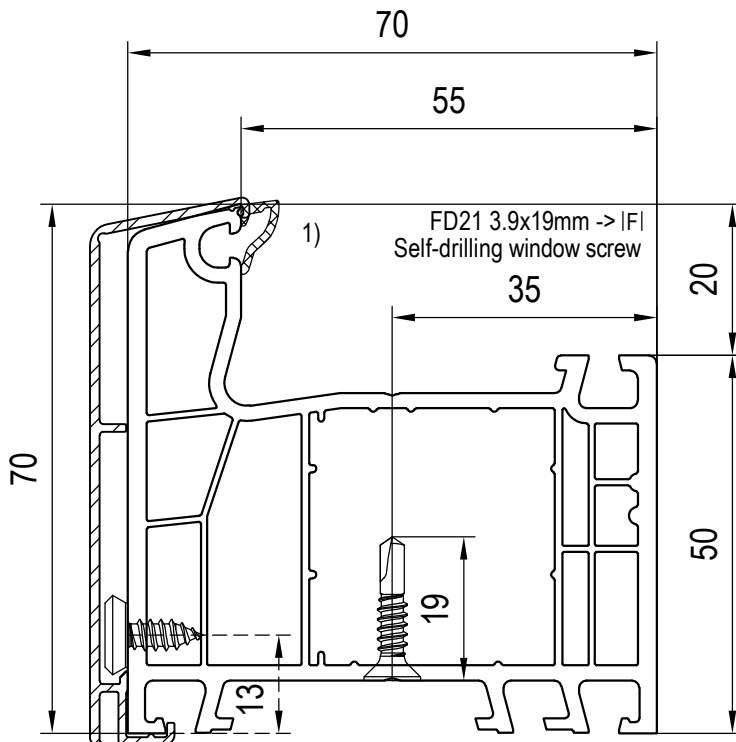
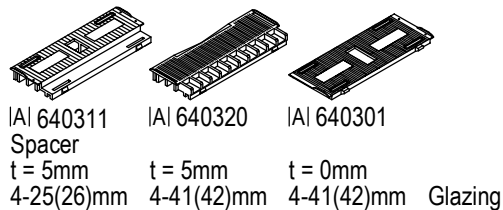
**fibre-reinforced**  
**Classic-line (CL)**

frame - dormant - telaio - marco - Rahmen

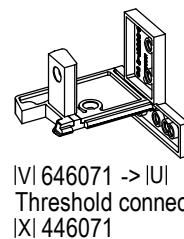
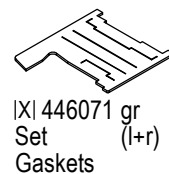
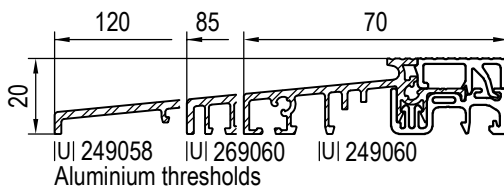
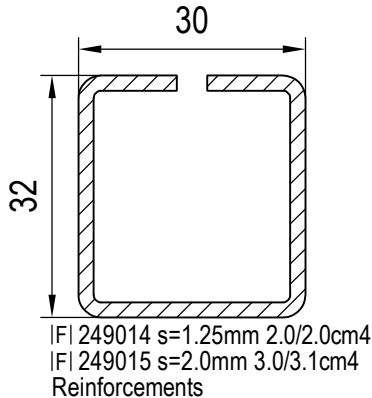
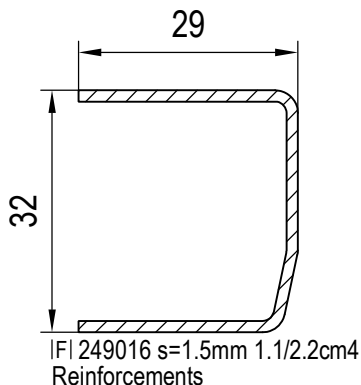
**Main Profiles: Frames**  
**Frame 70mm: 040x07**



IAI ... refer to chapter 03 A



IPI 249312 **aluskin**  
Aluminium shells  
IGI 654930 Option  
Nipple screw / Clip



1) Integrated gasket(s): see current price list

Scale 1:2, 1:1

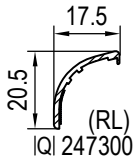
02\_B\_01\_4\*

en May be subject to change and errors excepted!

Classic-line (CL)

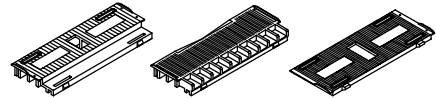
frame - dormant - telaio - marco - Rahmen

Main Profiles: Frames  
Frame 70mm: 140x07

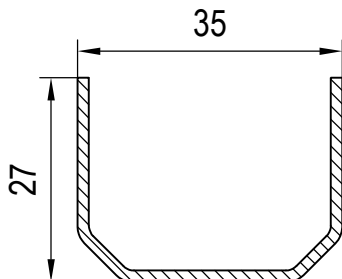


(RL)  
IQI 247300  
Aluminium step protection

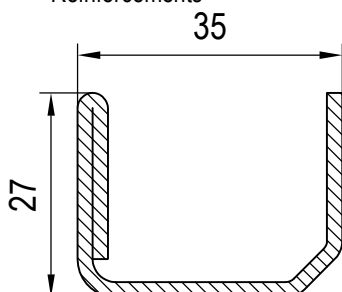
IAI ... refer to chapter 03 A



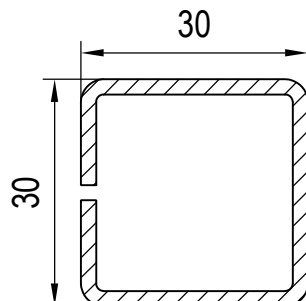
IAI 640311 IAI 640320 IAI 640301  
Spacer  
t = 5mm t = 5mm t = 0mm  
4-25(26)mm 4-41(42)mm 4-41(42)mm Glazing



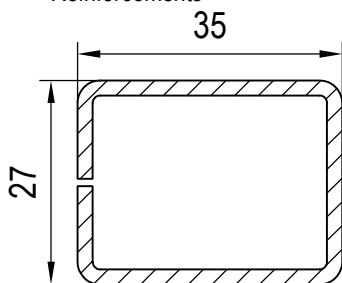
IFI 229023 s=1.5mm 2.3/0.9cm<sup>4</sup>  
IFI 229025 s=1.0mm 1.6/0.6cm<sup>4</sup>  
Reinforcements



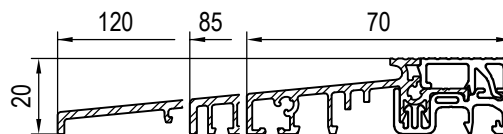
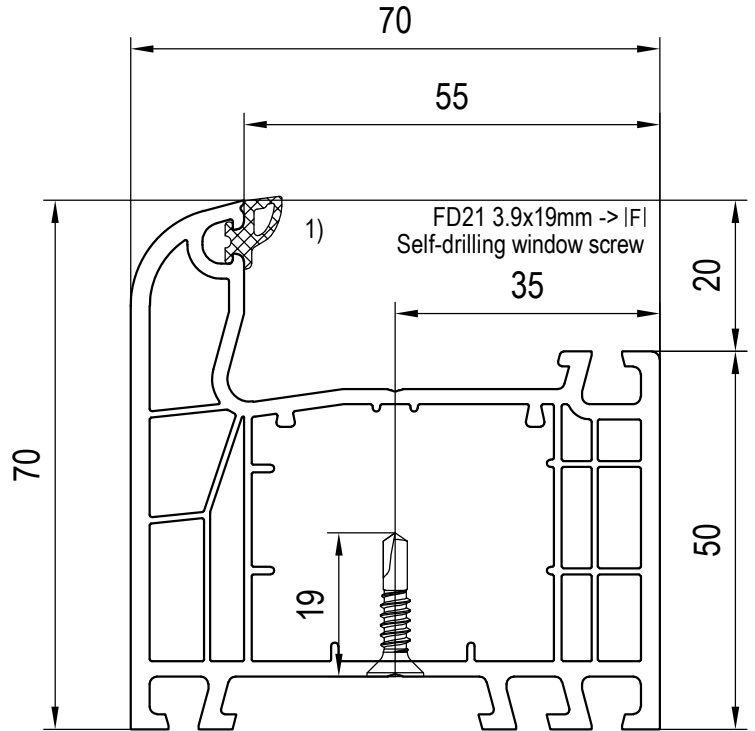
IFI 229024 s=1.5mm 3.0/1.1cm<sup>4</sup>  
IFI 229026 s=2.0mm 3.8/1.5cm<sup>4</sup>  
IFI 249026 s=3.0mm 5.1/2.1cm<sup>4</sup>  
Reinforcements



IFI 229112 s=1.0mm 1.5/1.5cm<sup>4</sup>  
IFI 229121 s=1.5mm 2.1/2.1cm<sup>4</sup>  
IFI 229113 s=2.0mm 2.7/2.7cm<sup>4</sup>  
Reinforcements



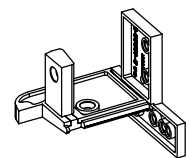
IFI 229029 s=1.25mm 2.5/1.7cm<sup>4</sup>  
IFI 229030 s=2.0mm 3.7/2.5cm<sup>4</sup>  
Reinforcements



IUI 249058 IUI 269060 IUI 249060  
Aluminium thresholds



IXI 446071 gr  
Set (l+r)  
Gaskets



IUI 646070 -> IUI  
Threshold connector  
IXI 446071

1) Integrated gasket(s): see current price list

Scale 1:2, 1:1

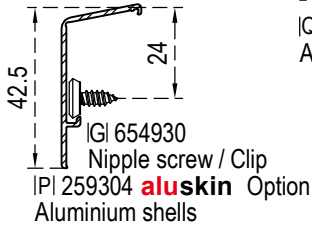
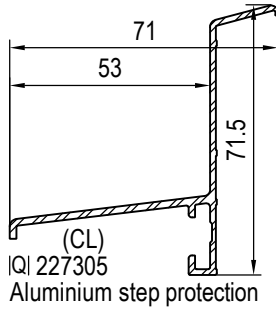
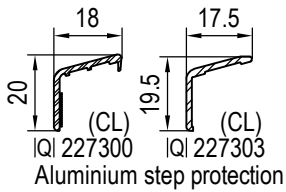
02\_B\_01\_4\*

en May be subject to change and errors excepted!

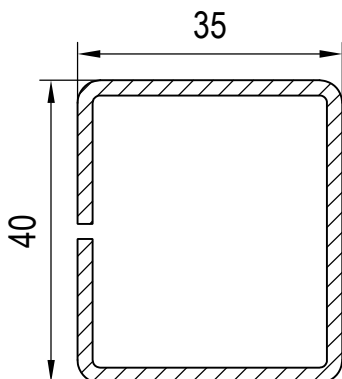
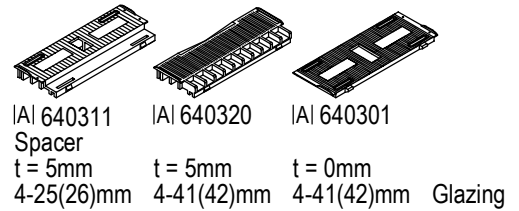
Round-line (RL)

frame - dormant - telaio - marco - Rahmen

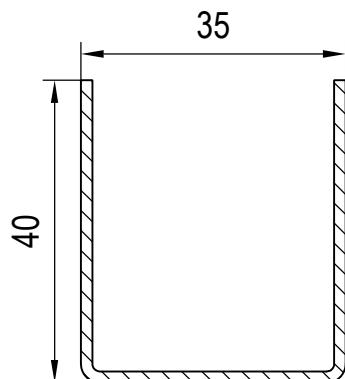
Main Profiles: Frames  
Frame 70mm: 140x08



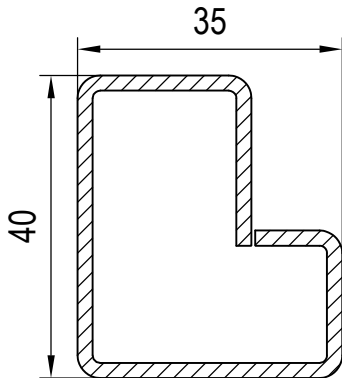
IAI ... refer to chapter 03 A



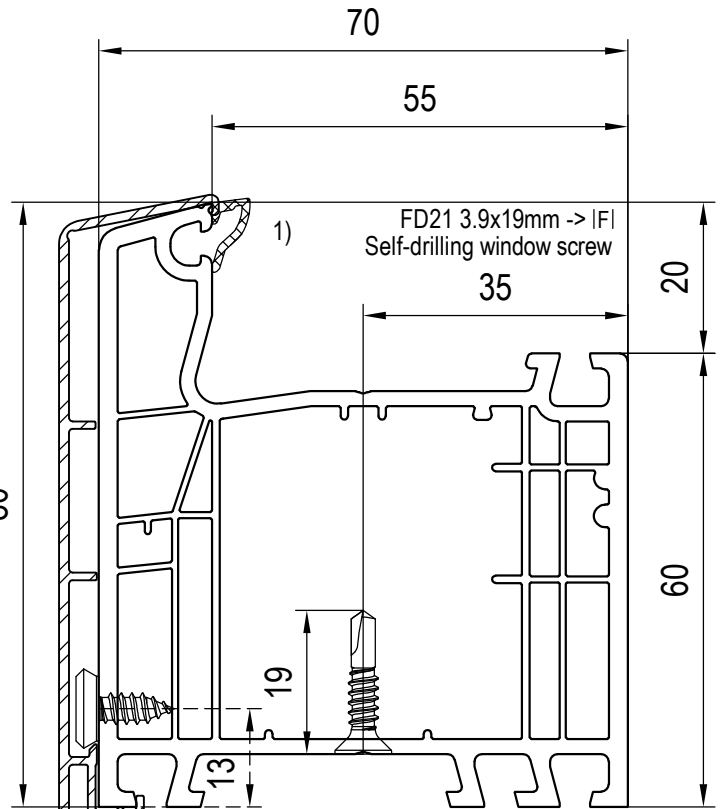
IFI 229114 s=1.5mm 4.0/5.0cm4  
IFI 229115 s=2.0mm 5.0/6.4cm4  
Reinforcements



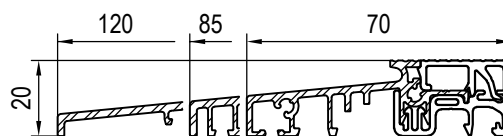
IFI 229017 s=1.5mm 3.7/2.8cm4  
Reinforcements



IFI 229120 s=2.0mm 4.0/5.4cm4  
Reinforcements



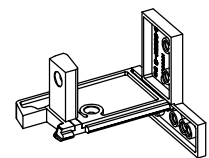
IPI 249313 **aluskin**  
Aluminium shells  
IGI 654930 Option  
Nipple screw / Clip



Aluminium thresholds



IXI 446071 gr  
Set (l+r)  
Gaskets



IUI 646072 -> IUI  
Threshold connector  
IXI 446071

1) Integrated gasket(s): see current price list

Scale 1:2, 1:1

02\_B\_01\_4\*

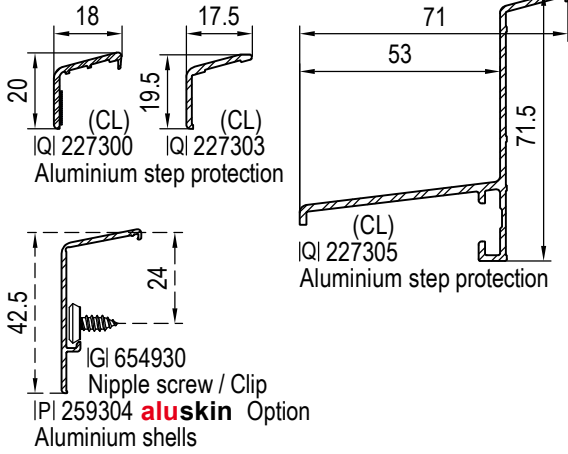
en May be subject to change and errors excepted!

Classic-line (CL)

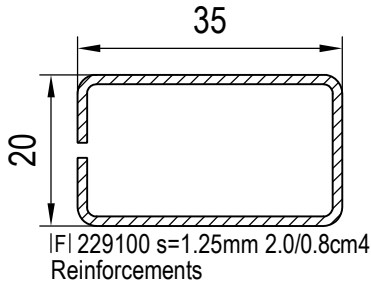
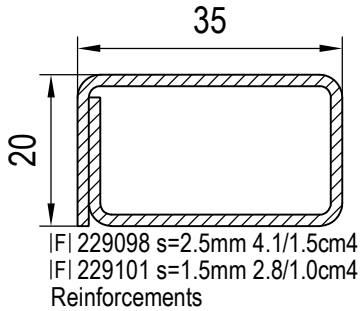
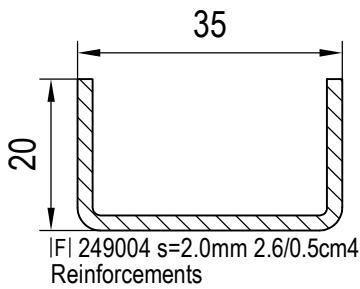
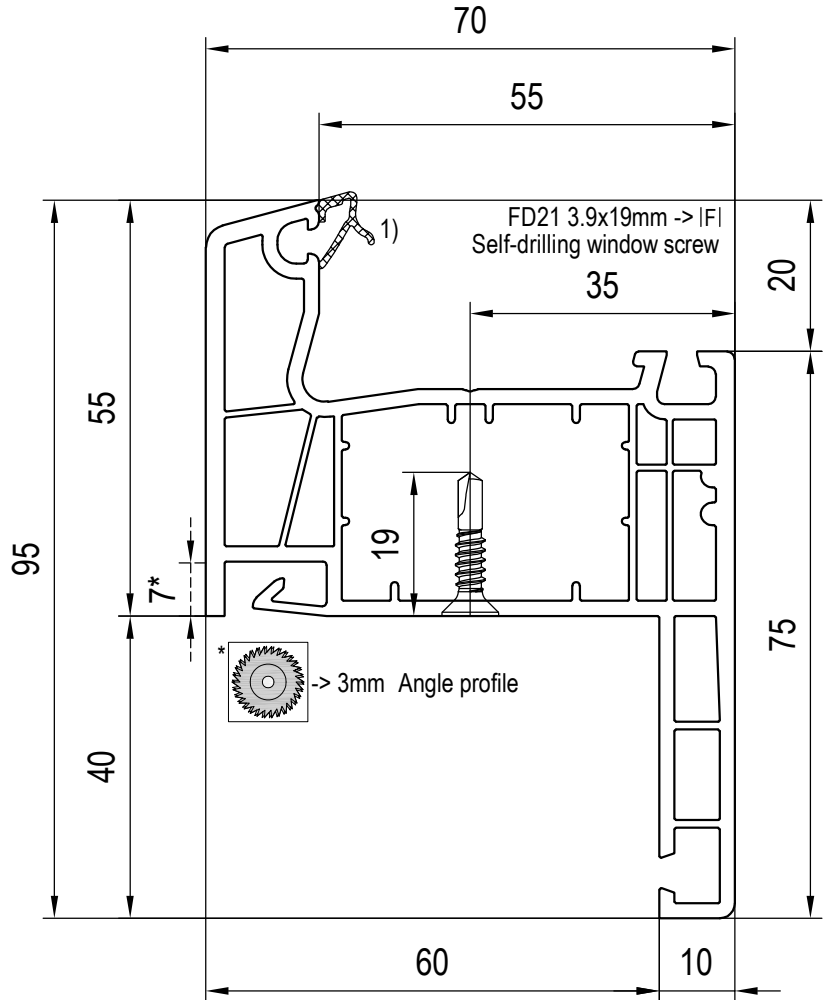
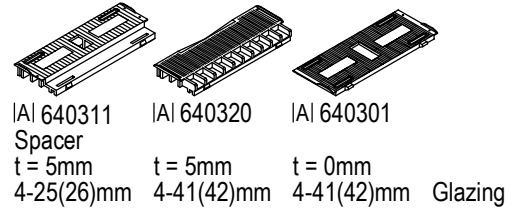
frame - dormant - telaio - marco - Rahmen

Main Profiles: Frames  
Frame 80mm: 140x03





IAI ... refer to chapter 03 A



1) Integrated gasket(s): see current price list

Scale 1:2, 1:1

02\_B\_01\_4\*

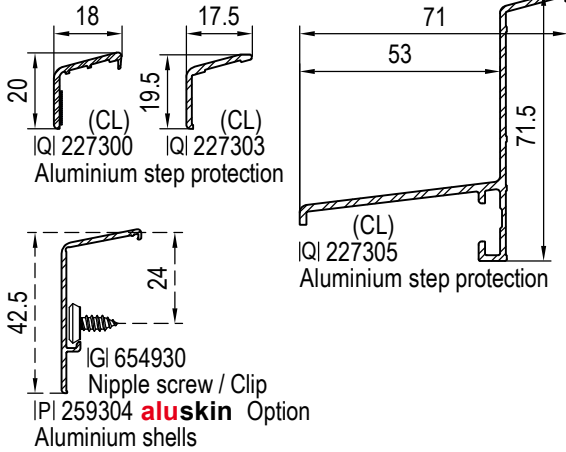
en May be subject to change and errors excepted!

Classic-line (CL)

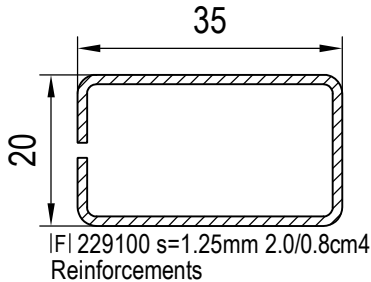
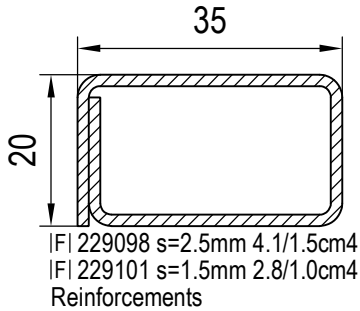
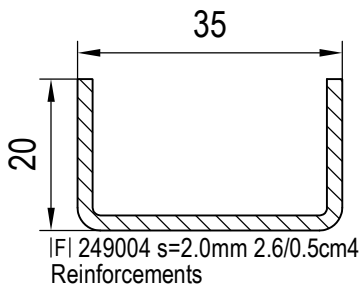
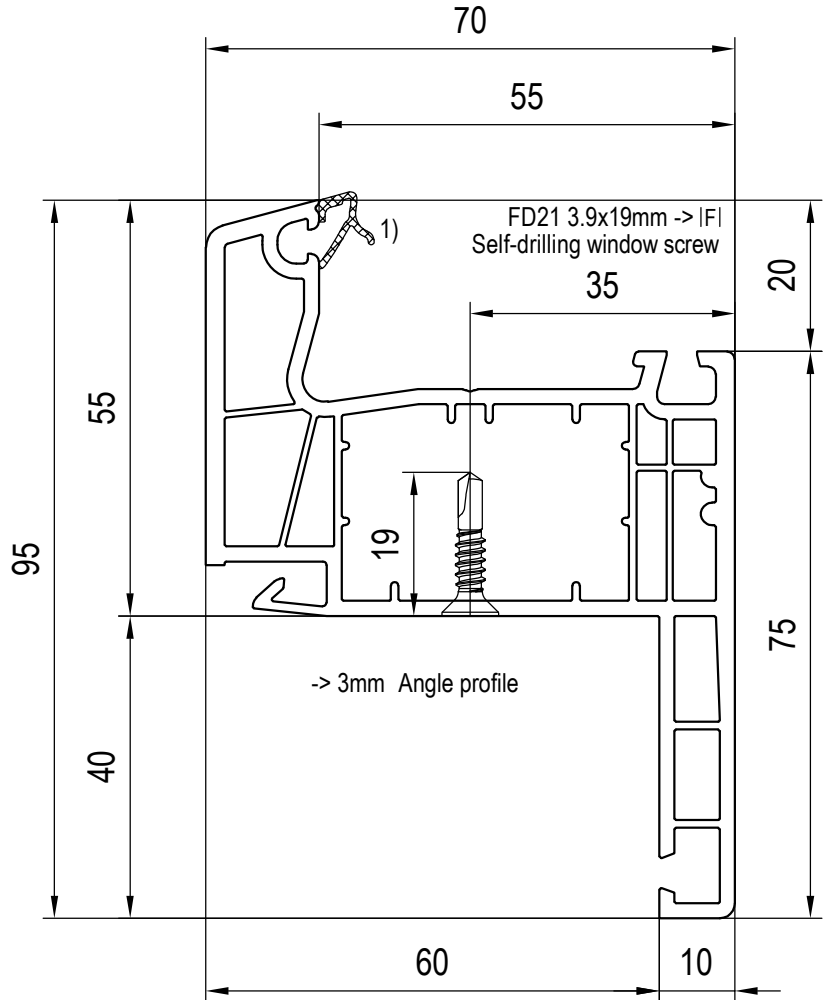
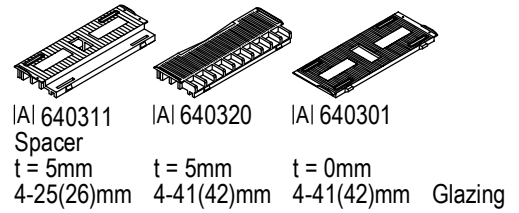
frame - dormant - telaio - marco - Rahmen

Main Profiles: Frames

Renovation frame 95mm: 140x15



IAI ... refer to chapter 03 A



1) Integrated gasket(s): see current price list

Scale 1:2, 1:1

02\_B\_01\_4\*

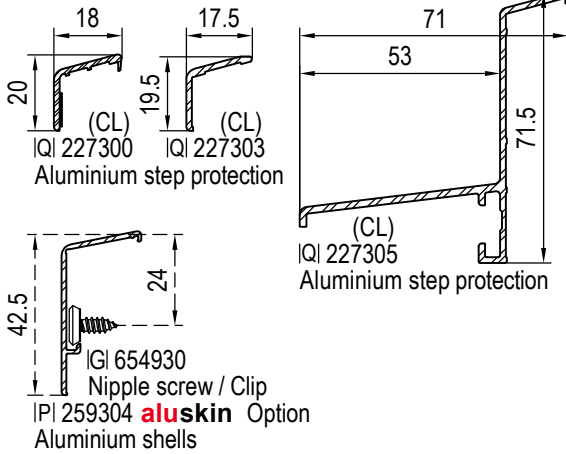
en May be subject to change and errors excepted!

Classic-line (CL)

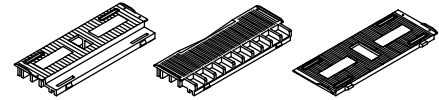
frame - dormant - telaio - marco - Rahmen

Main Profiles: Frames

Renovation frame 95mm: 140x17



IAI ... refer to chapter 03 A



IAI 640311

IAI 640320

IAI 640301

Spacer

t = 5mm

t = 5mm

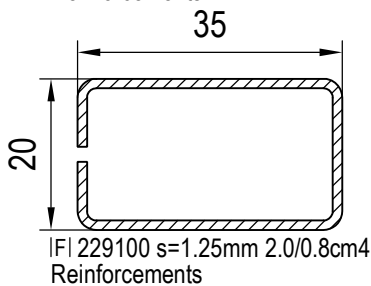
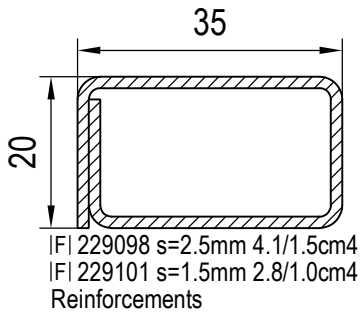
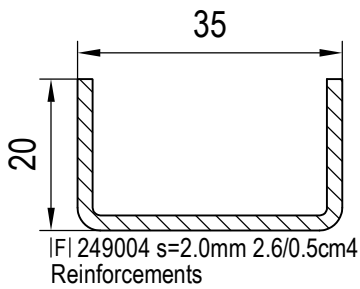
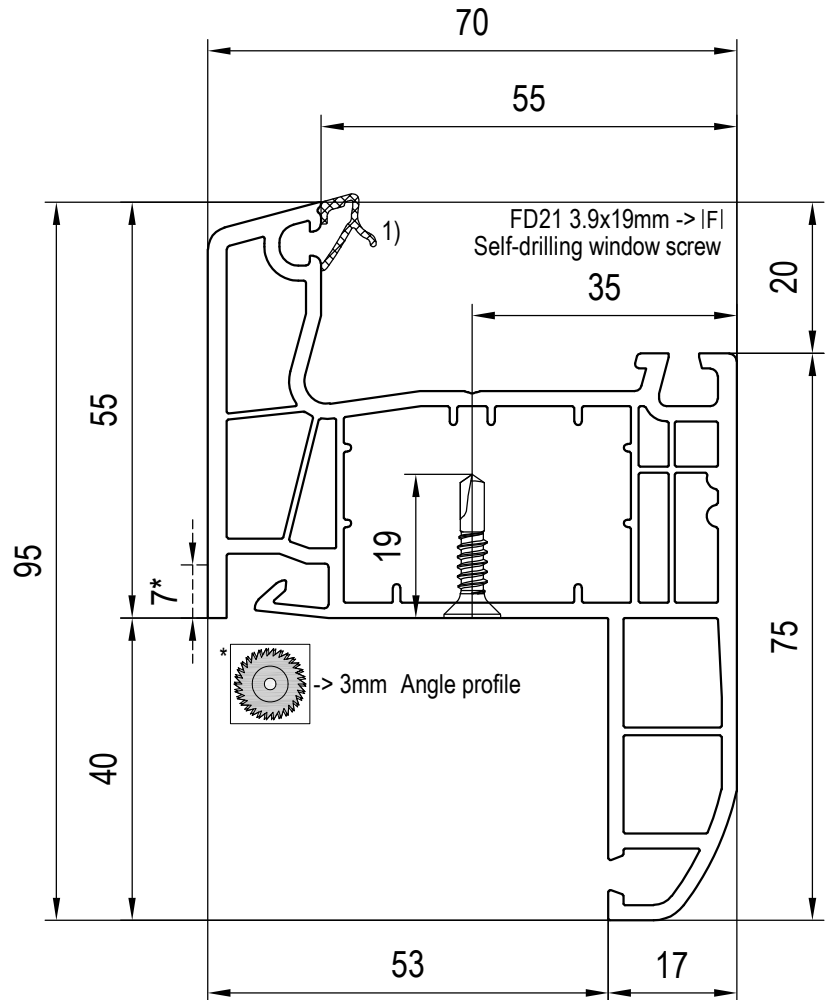
t = 0mm

4-25(26)mm

4-41(42)mm

4-41(42)mm

Glazing



1) Integrated gasket(s): see current price list

Scale 1:2, 1:1

02\_B\_01\_4\*

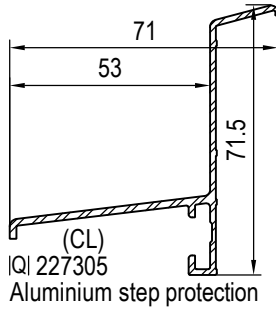
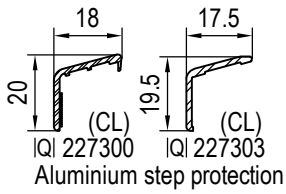
en May be subject to change and errors excepted!

frame - dormant - telaio - marco - Rahmen

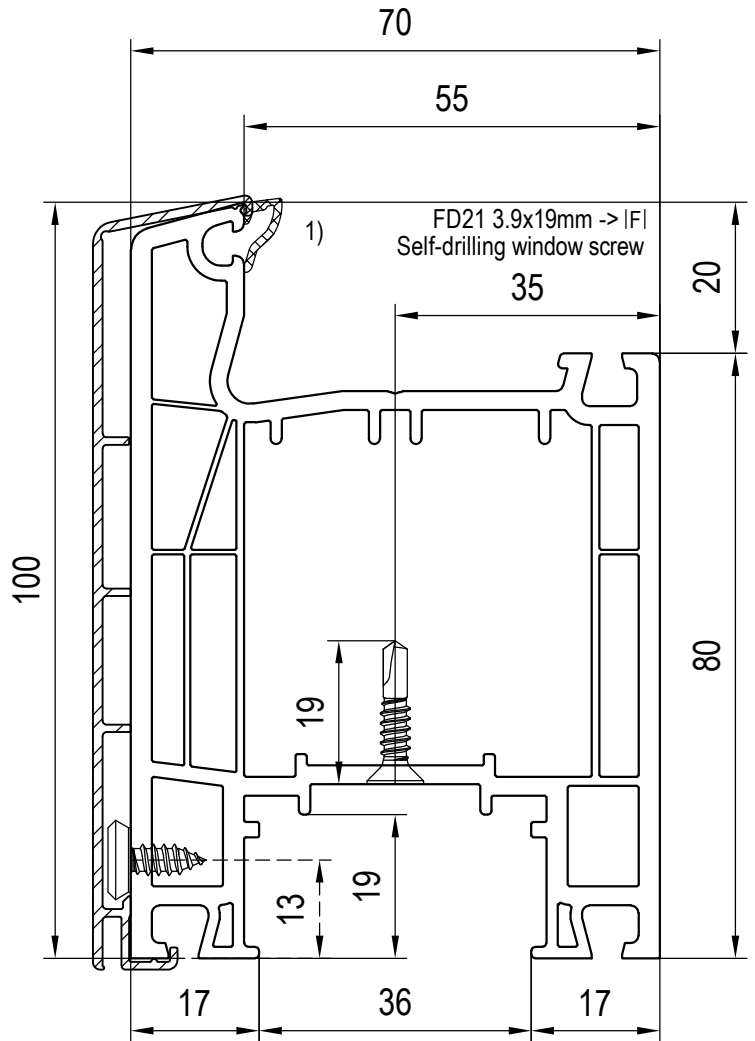
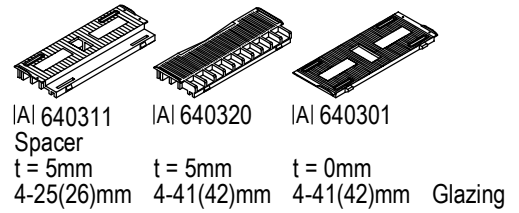
Main Profiles: Frames

Renovation frame 95mm: 140x05

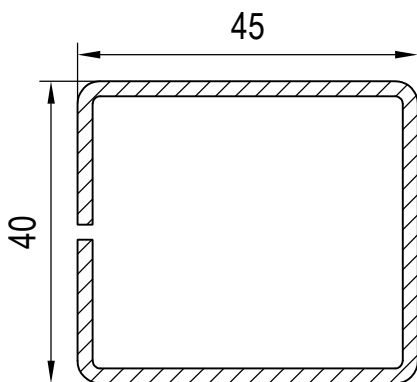
Classic-line (CL)



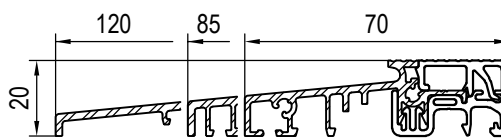
IAI ... refer to chapter 03 A



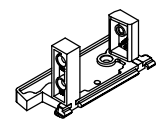
IPI 249314 **aluskin**  
Aluminium shells  
IGI 654930 Option  
Nipple screw / Clip



IFI 249034 s=1.25mm 6.1/5.2cm4  
IFI 249035 s=2.0mm 9.2/7.8cm4  
Reinforcements



Aluminium thresholds



IUI 646078 -> IUI  
Threshold connector

1) Integrated gasket(s): see current price list

Scale 1:2, 1:1

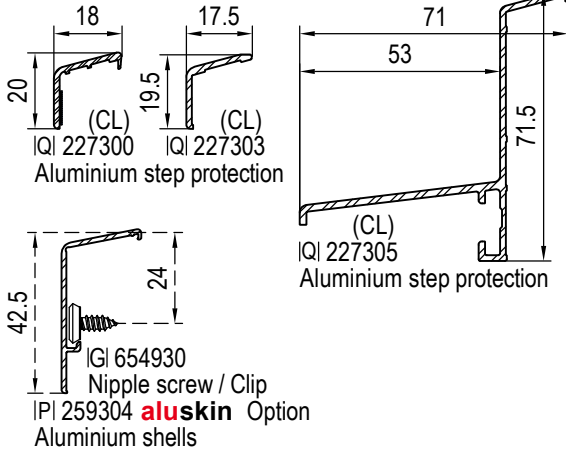
02\_B\_01\_4\*

en May be subject to change and errors excepted!

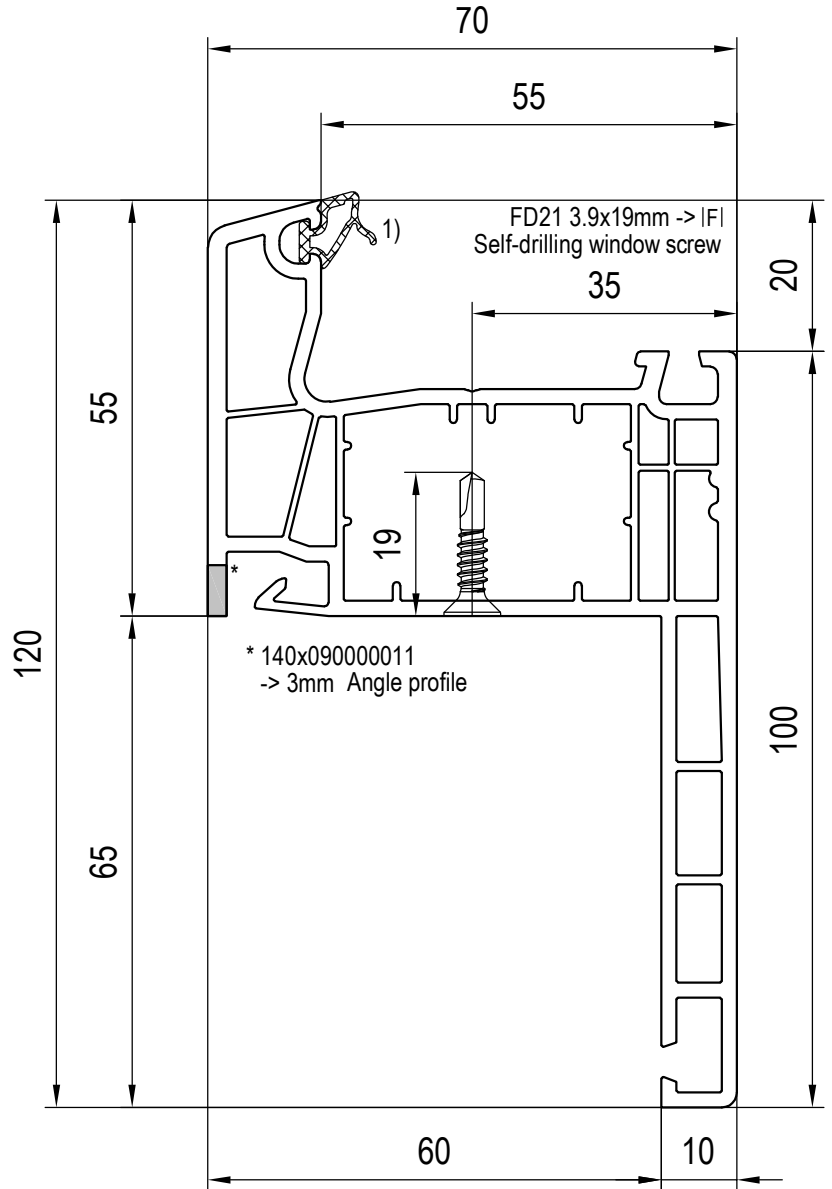
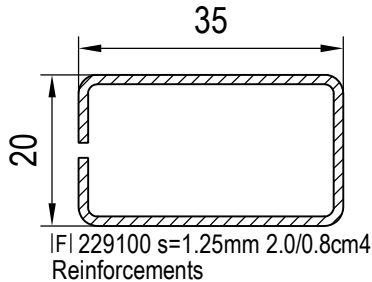
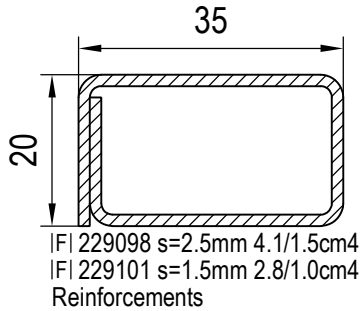
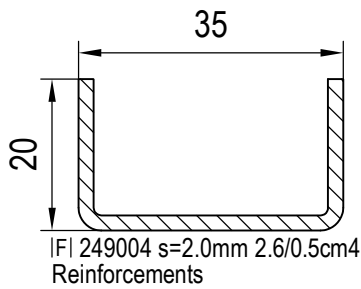
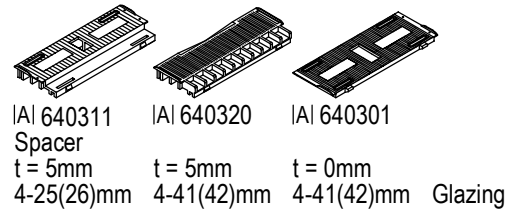
Classic-line (CL)

frame - dormant - telaio - marco - Rahmen

Main Profiles: Frames  
Frame 100mm: 140x81



IAI ... refer to chapter 03 A



1) Integrated gasket(s): see current price list

Scale 1:2, 1:1

02\_B\_01\_4\*

en May be subject to change and errors excepted!

frame - dormant - telaio - marco - Rahmen

Classic-line (CL)

Main Profiles: Frames  
Renovation frame 120mm: 140x09

Ⓜ  
IJI 642262 bl  
Bonding of pane  
t = 3.5mm ...  
24-41(42)mm ...

Ⓜ  
IJI 642261 bl >kg  
IJI 646265 gr <kg

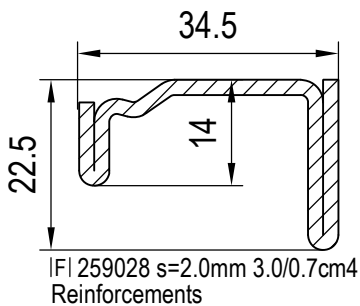
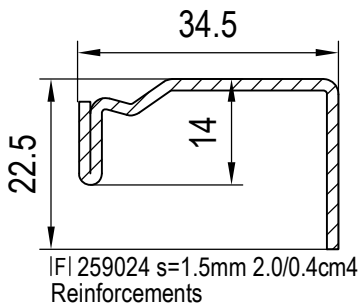
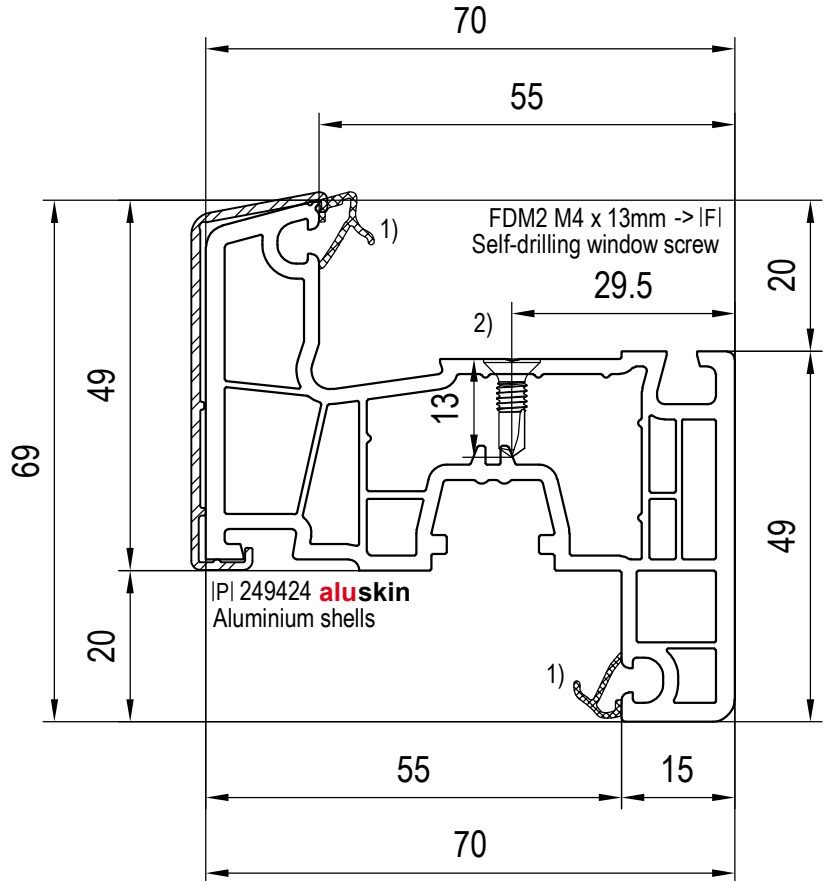
Ⓜ  
IJI 642263 bl >kg  
IJI 646266 gr <kg

IJI or IAI ... refer to chapter 03 A  
H [mm]  
IJI 640033 red 3  
IJI 640034 ye 4  
IJI 640035 gn 5

Ⓜ  
IAI 650250 red  
Spacer  
t = -1mm  
4-41(42)mm

Ⓜ  
IAI 650252 red  
t = 1mm  
4-33(34)mm

Ⓜ  
IAI 655251 gn  
t = 5mm  
4-37(38)mm Glazing



2) Seal the screw heads in the bottom horizontal rebate  
1) Integrated gasket(s): see current price list

sash - ouvrant - anta - hoja - Flügel

Scale 1:4, 1:1

02\_C\_01\_4\*

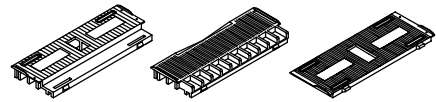
en May be subject to change and errors excepted!



Classic-line (CL)

Main Profiles: Sashes  
Sash re. 69mm: 140x24

IAI ... refer to chapter 03 A



IAI 640311

IAI 640320

IAI 640301

Spacer

t = 5mm

t = 5mm

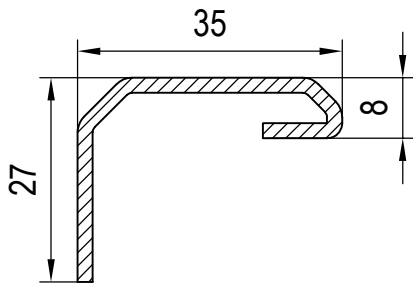
t = 0mm

4-25(26)mm

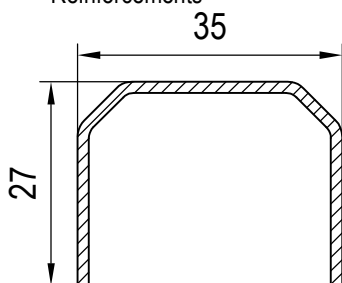
4-41(42)mm

4-41(42)mm

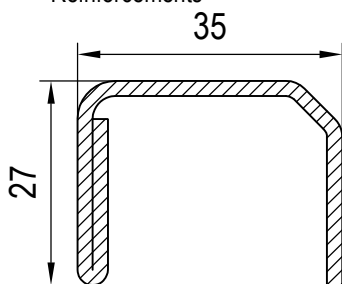
Glazing



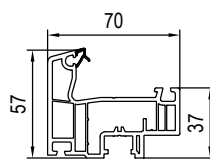
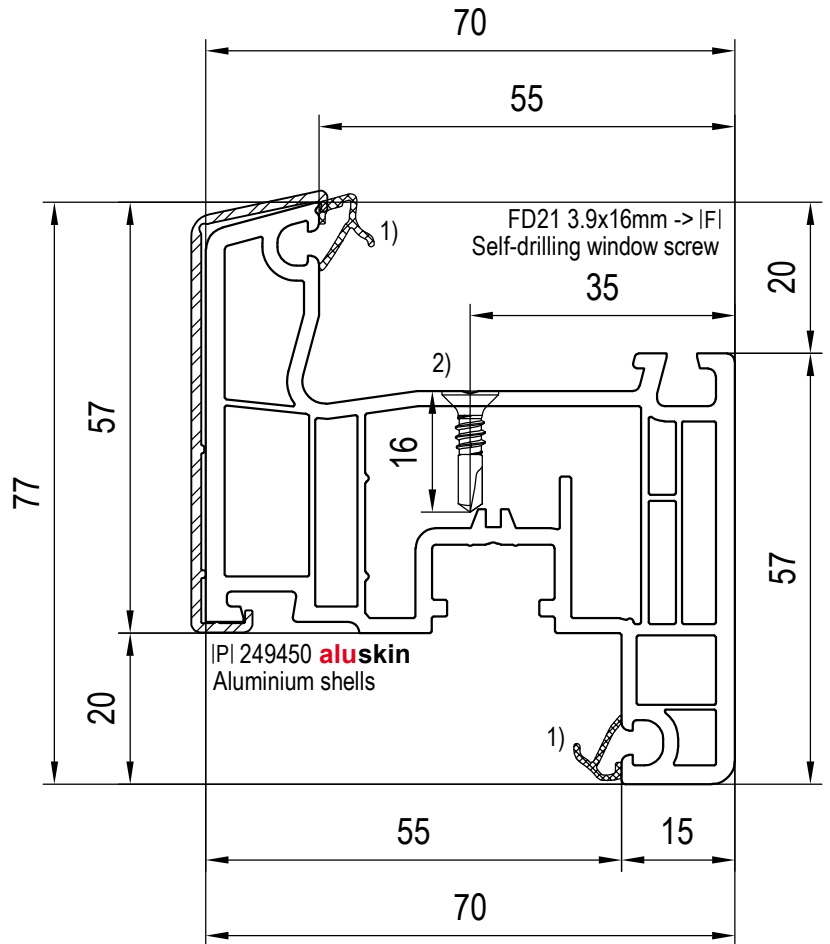
IFI 229027 s=1.5mm 1.7/0.6cm<sup>4</sup>  
IFI 229028 s=2.0mm 2.1/0.8cm<sup>4</sup>  
Reinforcements



IFI 229023 s=1.5mm 2.3/0.9cm<sup>4</sup>  
IFI 229025 s=1.0mm 1.6/0.6cm<sup>4</sup>  
Reinforcements



IFI 229024 s=1.5mm 3.0/1.1cm<sup>4</sup>  
IFI 229026 s=2.0mm 3.8/1.5cm<sup>4</sup>  
IFI 249026 s=3.0mm 5.1/2.1cm<sup>4</sup>  
Reinforcements



140x76  
Compatible false mullion sash (CL)

2) Seal the screw heads in the bottom horizontal rebate  
1) Integrated gasket(s): see current price list

sash - ouvrant - anta - hoja - Flügel

Scale 1:4, 1:1

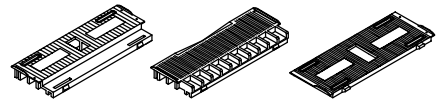
02\_C\_01\_4\*

en May be subject to change and errors excepted!

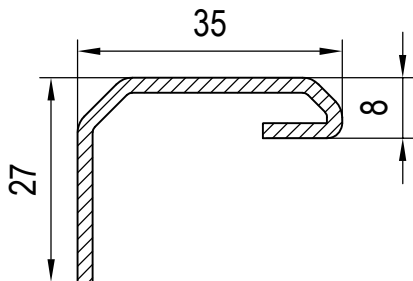
Classic-line (CL)

Main Profiles: Sashes  
Sash re. 77mm: 140x20

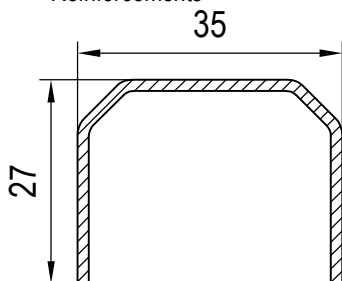
IAI ... refer to chapter 03 A



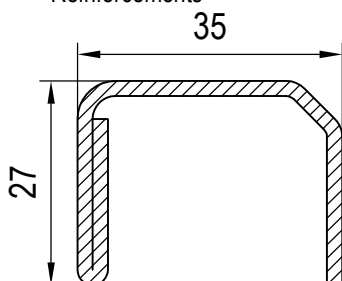
IAI 640311	IAI 640320	IAI 640301	
Spacer			
t = 5mm	t = 5mm	t = 0mm	
4-25(26)mm	4-41(42)mm	4-41(42)mm	Glazing



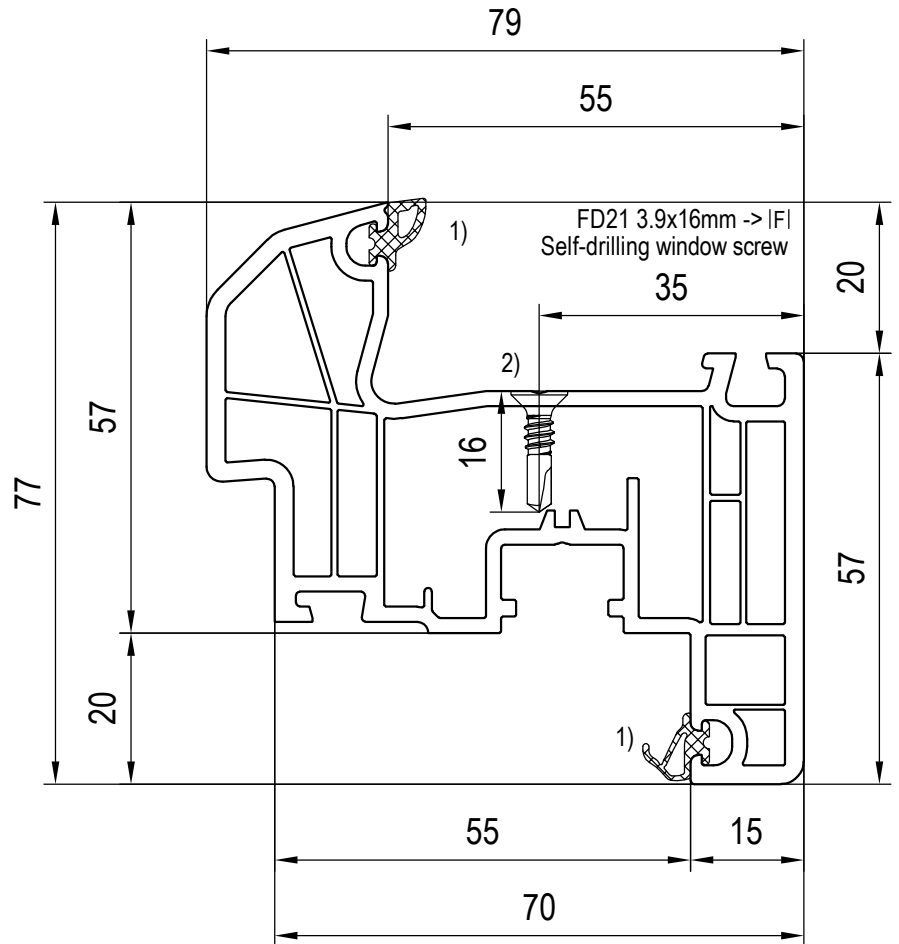
IFI 229027 s=1.5mm 1.7/0.6cm<sup>4</sup>  
IFI 229028 s=2.0mm 2.1/0.8cm<sup>4</sup>  
Reinforcements



IFI 229023 s=1.5mm 2.3/0.9cm<sup>4</sup>  
IFI 229025 s=1.0mm 1.6/0.6cm<sup>4</sup>  
Reinforcements



IFI 229024 s=1.5mm 3.0/1.1cm<sup>4</sup>  
IFI 229026 s=2.0mm 3.8/1.5cm<sup>4</sup>  
IFI 249026 s=3.0mm 5.1/2.1cm<sup>4</sup>  
Reinforcements



2) Seal the screw heads in the bottom horizontal rebate  
1) Integrated gasket(s): see current price list

sash - ouvrant - anta - hoja - Flügel

Scale 1:1

02\_C\_01\_4\*

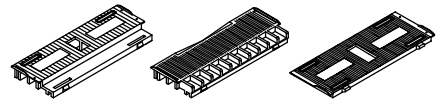
en May be subject to change and errors excepted!

Classic-line (CL)

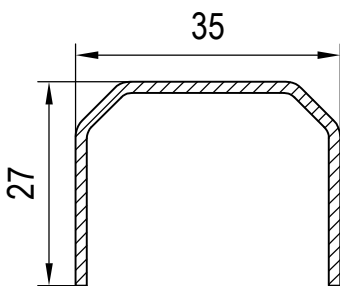
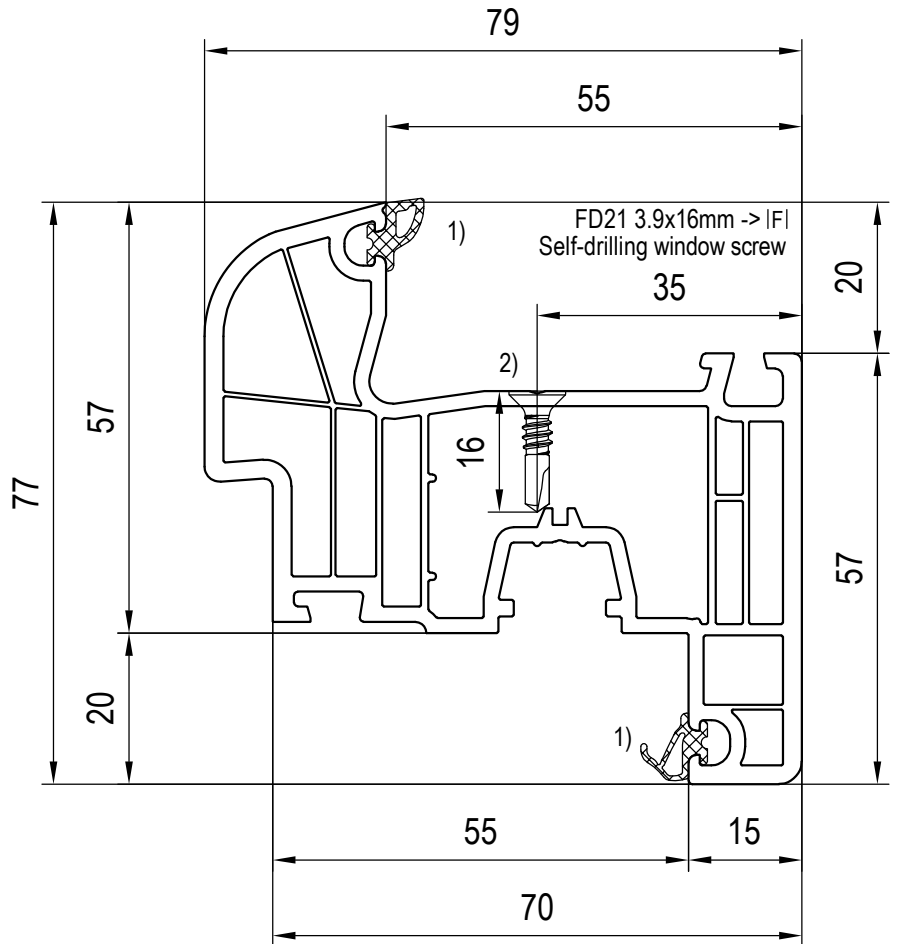
Main Profiles: Sashes  
Sash s.re. 77mm: 140x26



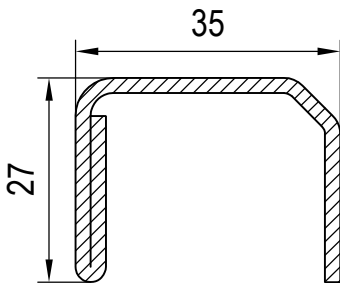
IAI ... refer to chapter 03 A



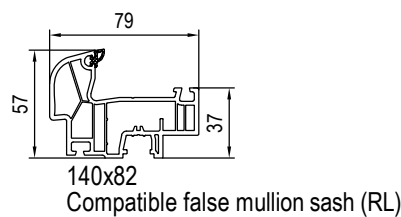
IAI 640311	IAI 640320	IAI 640301	
Spacer			
t = 5mm	t = 5mm	t = 0mm	
4-25(26)mm	4-41(42)mm	4-41(42)mm	Glazing



IFI 229023 s=1.5mm 2.3/0.9cm<sup>4</sup>  
IFI 229025 s=1.0mm 1.6/0.6cm<sup>4</sup>  
Reinforcements



IFI 229024 s=1.5mm 3.0/1.1cm<sup>4</sup>  
IFI 229026 s=2.0mm 3.8/1.5cm<sup>4</sup>  
IFI 249026 s=3.0mm 5.1/2.1cm<sup>4</sup>  
Reinforcements



- 2) Seal the screw heads in the bottom horizontal rebate
- 1) Integrated gasket(s): see current price list

sash - ouvrant - anta - hoja - Flügel

Scale 1:4, 1:1

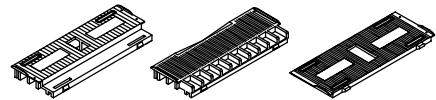
02\_C\_01\_4\*

en May be subject to change and errors excepted!

Round-line (RL)

Main Profiles: Sashes  
Sash s.re. 77mm: 140x22

IAI ... refer to chapter 03 A



IAI 640311

IAI 640320

IAI 640301

Spacer

t = 5mm

t = 5mm

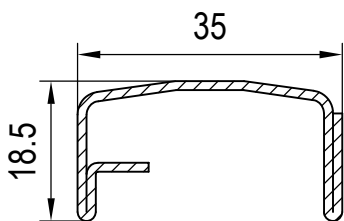
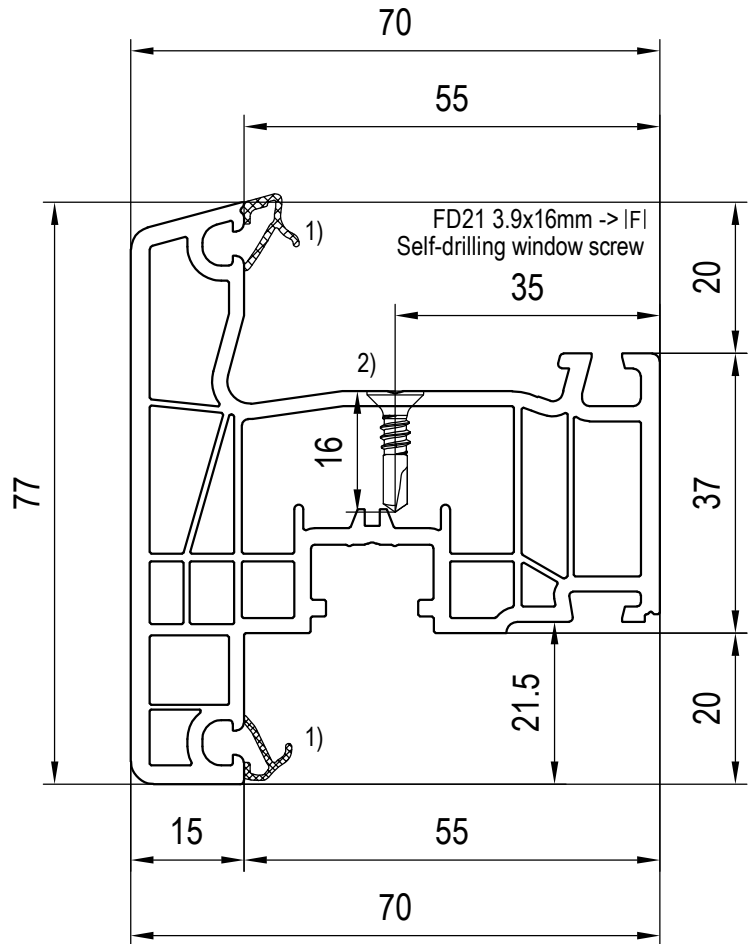
t = 0mm

4-25(26)mm

4-41(42)mm

4-41(42)mm

Glazing



IFI 249037 s=1.2mm 2.1/0.4cm4  
Reinforcements

- 2) Seal the screw heads in the bottom horizontal rebate
- 1) Integrated gasket(s): see current price list

Scale 1:1

02\_C\_01\_4\*

en May be subject to change and errors excepted!

sash - ouvrant - anta - hoja - Flügel

Main Profiles: Sashes

open-out, Sash re. 77mm: 140x37

Classic-line (CL)

Ⓜ  
IJ 642262 bl  
Bonding of pane  
t = 3.5mm ...  
24-41(42)mm ...

Ⓜ  
IJ 642261 bl >kg  
IJ 646265 gr <kg

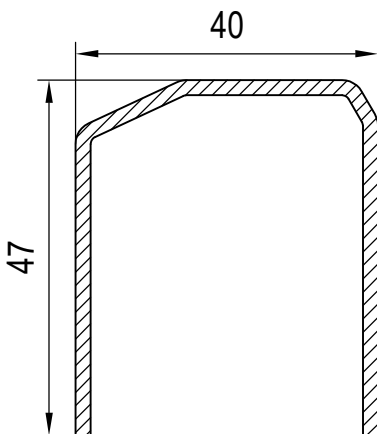
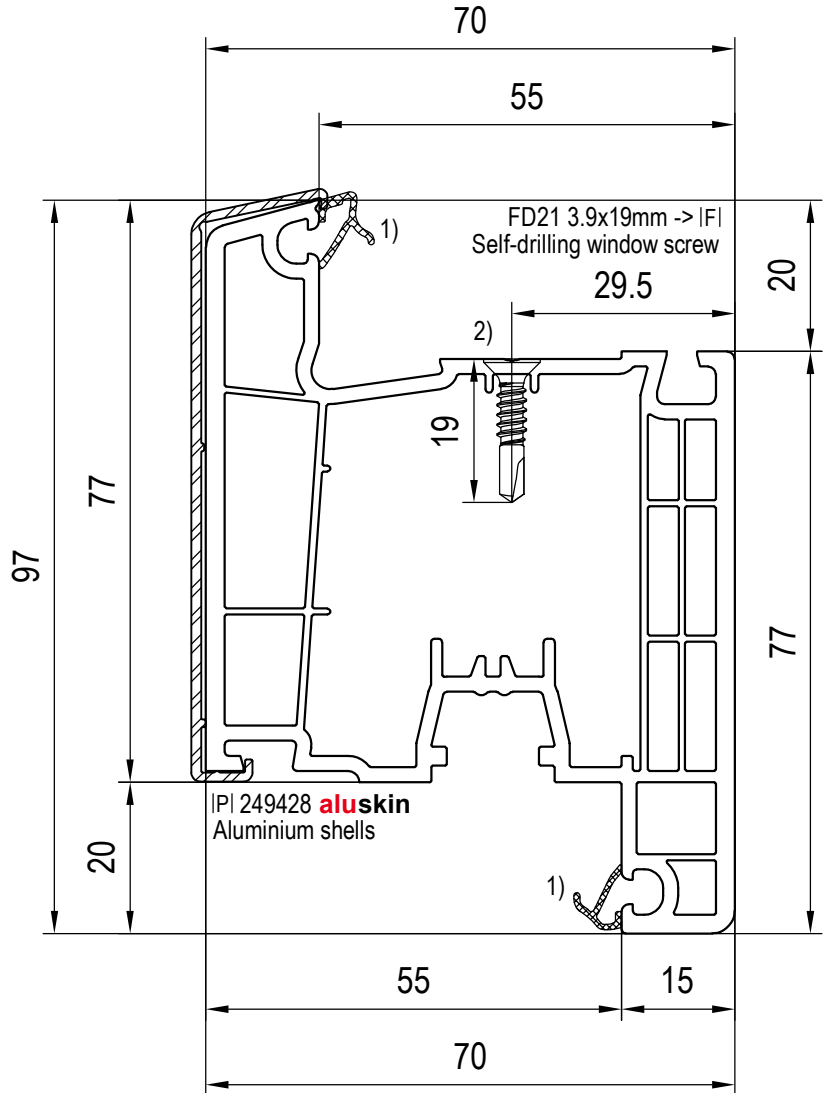
Ⓜ  
IJ 642263 bl >kg  
IJ 646266 gr <kg

IJ or IA ... refer to chapter 03 A  
H [mm]  
IJ 640033 red 3  
IJ 640034 ye 4  
IJ 640035 gn 5

Ⓜ  
IA 650250 red  
Spacer  
t = -1mm  
4-41(42)mm

Ⓜ  
IA 650252 red  
t = 1mm  
4-33(34)mm

Ⓜ  
IA 655251 gn  
t = 5mm  
4-37(38)mm Glazing



IFI 209192 s=1.25mm 4.6/3.5cm4  
IFI 209193 s=2.0mm 7.0/5.5cm4  
Reinforcements

2) Seal the screw heads in the bottom horizontal rebate  
1) Integrated gasket(s): see current price list

sash - ouvrant - anta - hoja - Flügel

Scale 1:1

02\_C\_01\_4\*

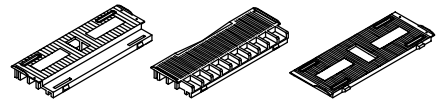
en May be subject to change and errors excepted!



Classic-line (CL)

Main Profiles: Sashes  
Sash re. 97mm: 140x28

IAI ... refer to chapter 03 A



IAI 640311

IAI 640320

IAI 640301

Spacer

t = 5mm

t = 5mm

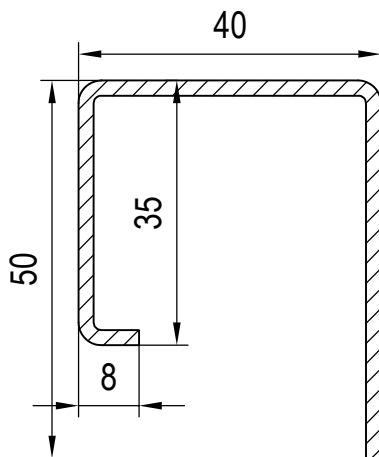
t = 0mm

4-25(26)mm

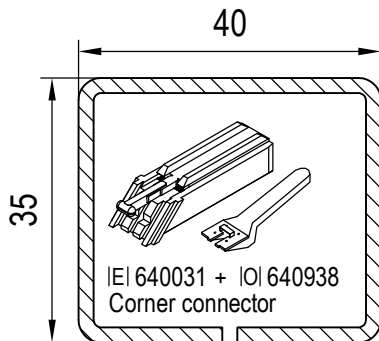
4-41(42)mm

4-41(42)mm

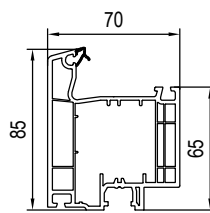
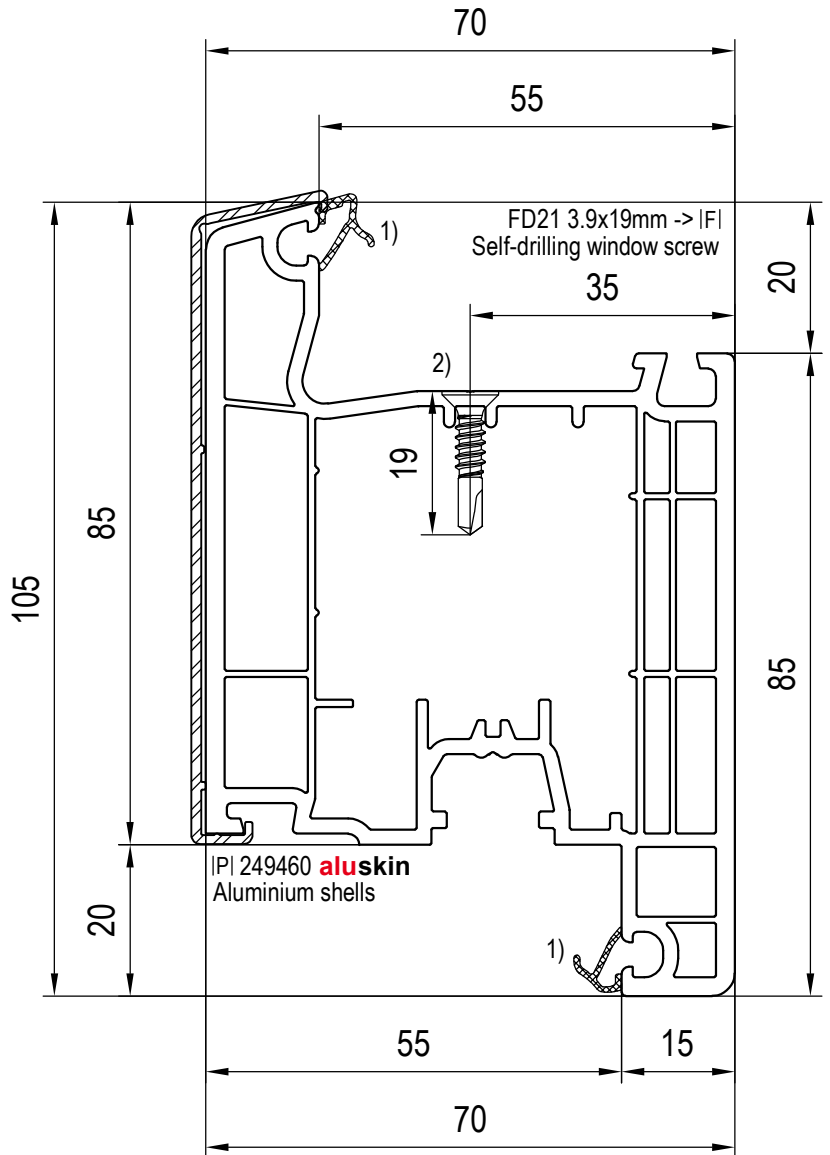
Glazing



IFI 249031 s=2.0mm 6.9/5.5cm<sup>4</sup>  
Reinforcements



IFI 229114 s=1.5mm 5.0/4.0cm<sup>4</sup>  
IFI 229115 s=2.0mm 6.4/5.0cm<sup>4</sup>  
Reinforcements



140x77  
Compatible false mullion sash (CL)

2) Seal the screw heads in the bottom horizontal rebate  
1) Integrated gasket(s): see current price list

sash - ouvrant - anta - hoja - Flügel

Scale 1:4, 1:1

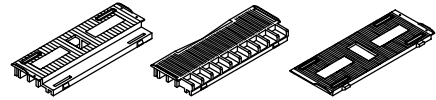
02\_C\_01\_4\*

en May be subject to change and errors excepted!

Classic-line (CL)

Main Profiles: Sashes  
Sash re. 105mm: 140x30

IAI ... refer to chapter 03 A



IAI 640311

IAI 640320

IAI 640301

Spacer

t = 5mm

t = 5mm

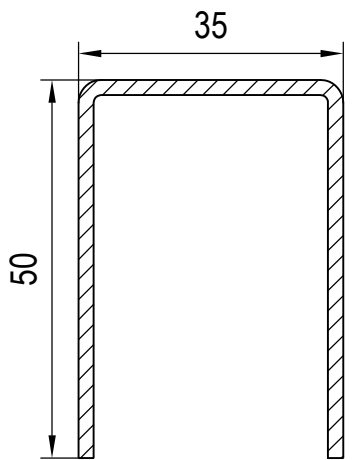
t = 0mm

4-25(26)mm

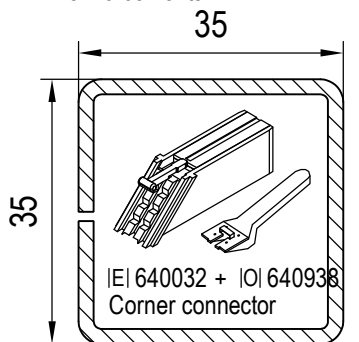
4-41(42)mm

4-41(42)mm

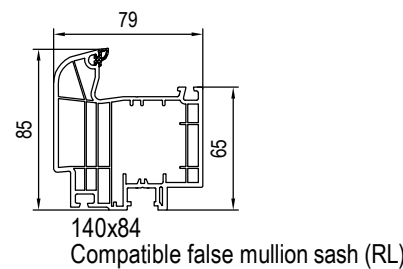
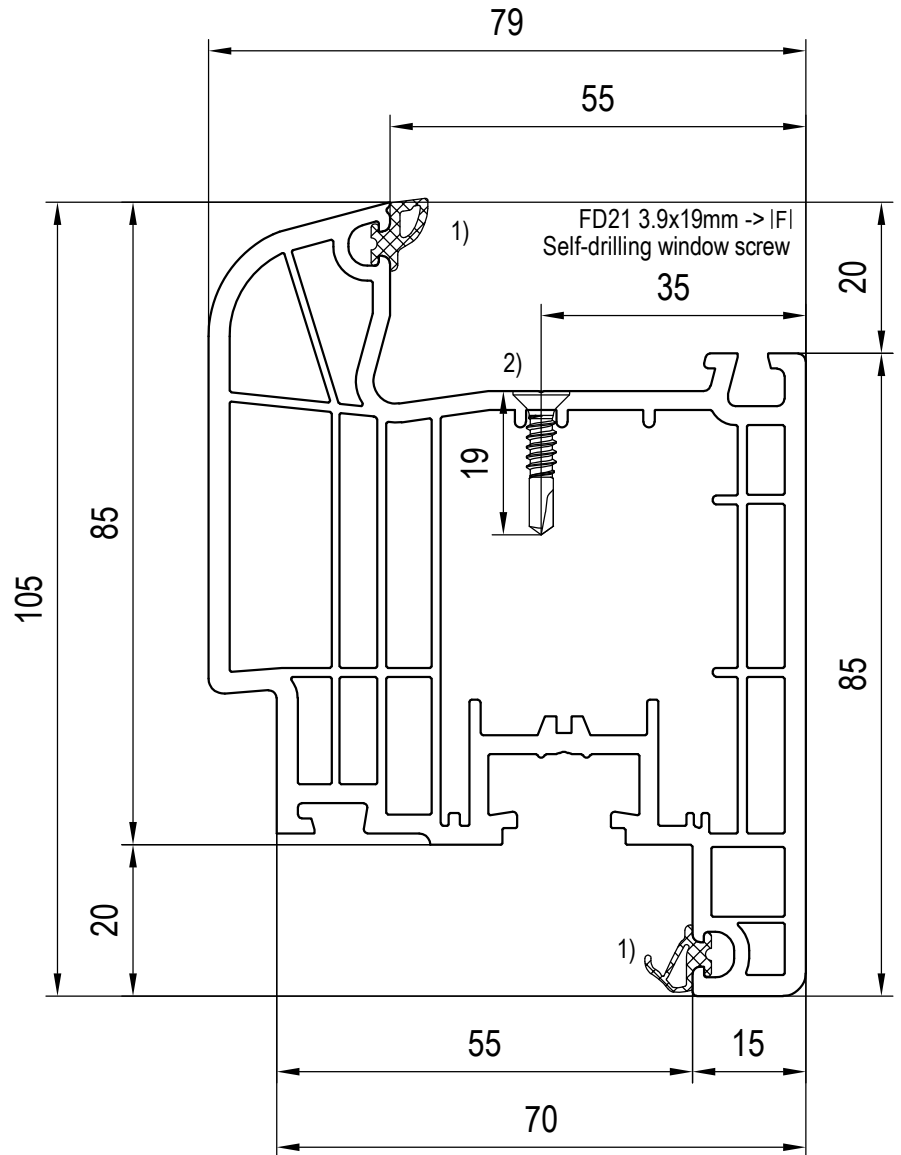
Glazing



IFI 249007 s=2.0mm 5.9/6.8cm4  
Reinforcements



IFI 249009 s=2.0mm 4.5/4.5cm4  
Reinforcements



- 2) Seal the screw heads in the bottom horizontal rebate
- 1) Integrated gasket(s): see current price list

sash - ouvrant - anta - hoja - Flügel

Scale 1:4, 1:1

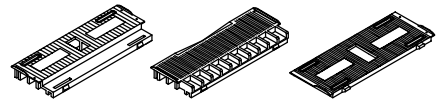
02\_C\_01\_4\*

en May be subject to change and errors excepted!

Round-line (RL)

Main Profiles: Sashes  
Sash s.re. 105mm: 140x34

IAI ... refer to chapter 03 A



IAI 640311

IAI 640320

IAI 640301

Spacer

t = 5mm

t = 5mm

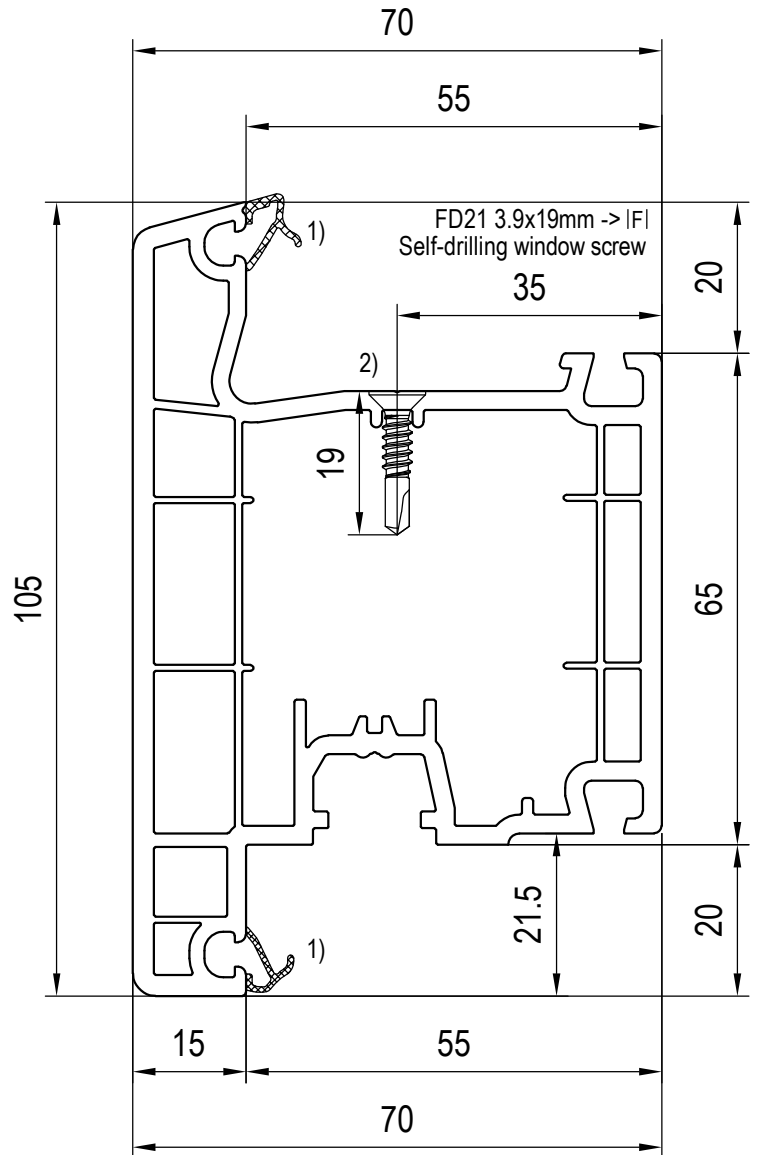
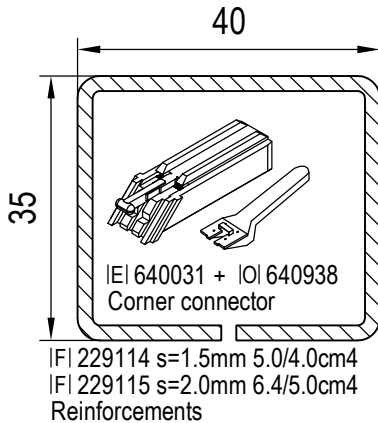
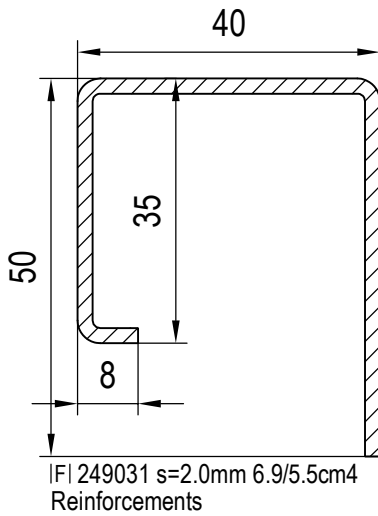
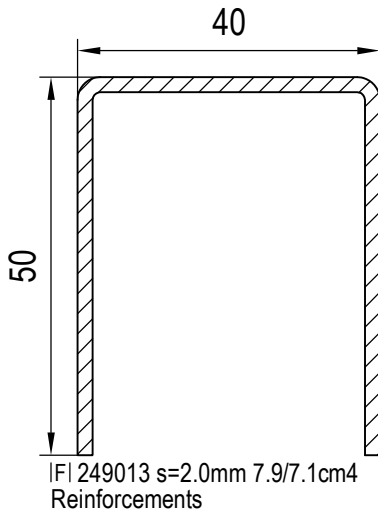
t = 0mm

4-25(26)mm

4-41(42)mm

4-41(42)mm

Glazing



2) Seal the screw heads in the bottom horizontal rebate  
1) Integrated gasket(s): see current price list

sash - ouvrant - anta - hoja - Flügel

Scale 1:1

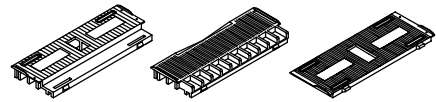
02\_C\_01\_4\*

en May be subject to change and errors excepted!

Classic-line (CL)

Main Profiles: Sashes  
open-out, Sash re. 105mm: 140x31

IAI ... refer to chapter 03 A



IAI 640311

IAI 640320

IAI 640301

Spacer

t = 5mm

t = 5mm

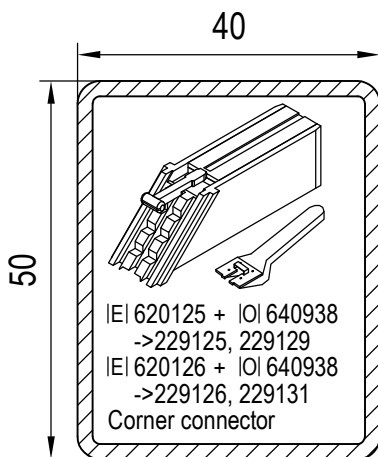
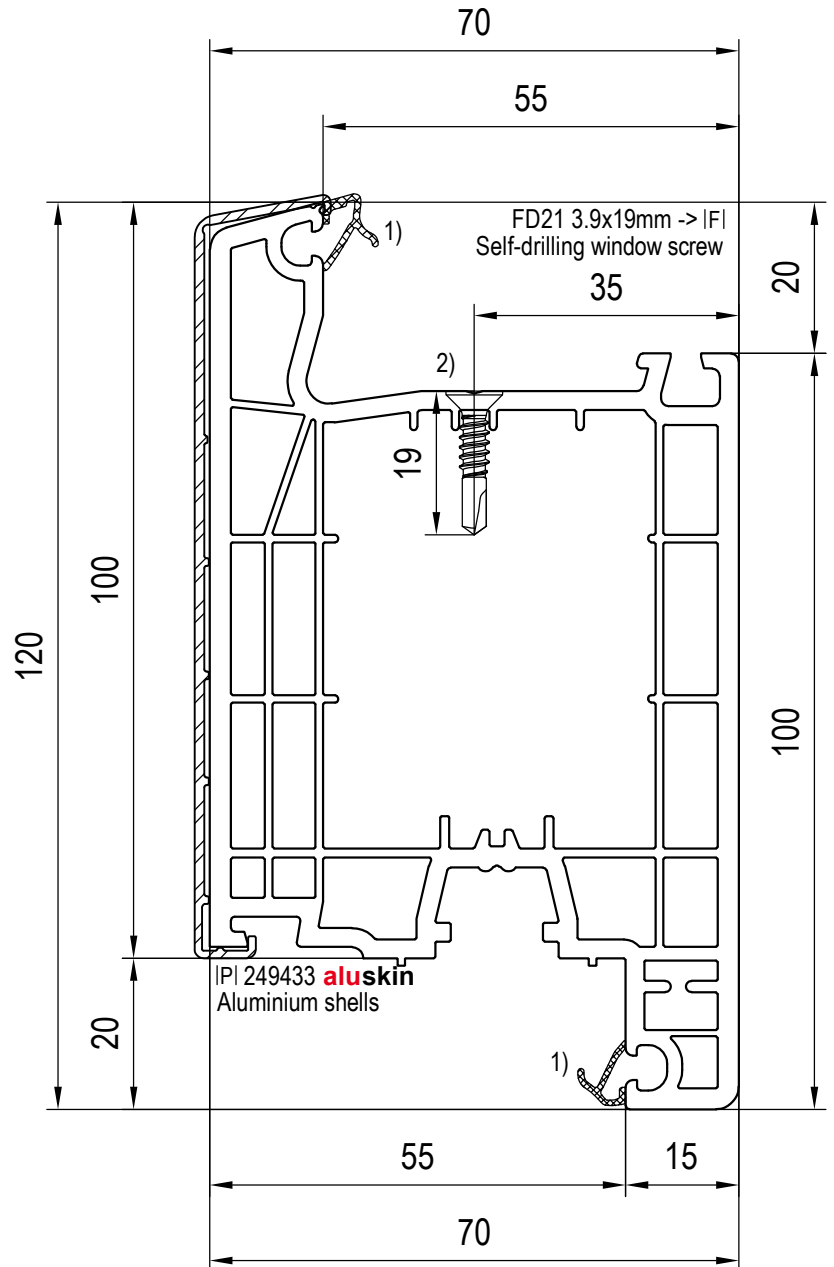
t = 0mm

4-25(26)mm

4-41(42)mm

4-41(42)mm

Glazing



IFI 229125 s=2.0mm 8.5/12.1cm4

IFI 229129 = 3-5x punched-out Reinforcements

IFI 229126 s=3.0mm 11.8/16.8cm4

IFI 229131 = 3-5x punched-out Reinforcements

2) Seal the screw heads in the bottom horizontal rebate

1) Integrated gasket(s): see current price list

Scale 1:1

02\_C\_01\_4\*

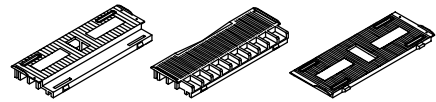
en May be subject to change and errors excepted!

Classic-line (CL)

sash - ouvrant - anta - hoja - Flügel

Main Profiles: Sashes  
Sash re. 120mm: 140x33

IAI ... refer to chapter 03 A



IAI 640311

IAI 640320

IAI 640301

Spacer

t = 5mm

t = 5mm

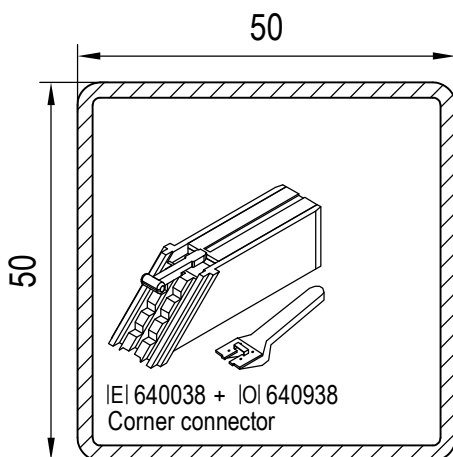
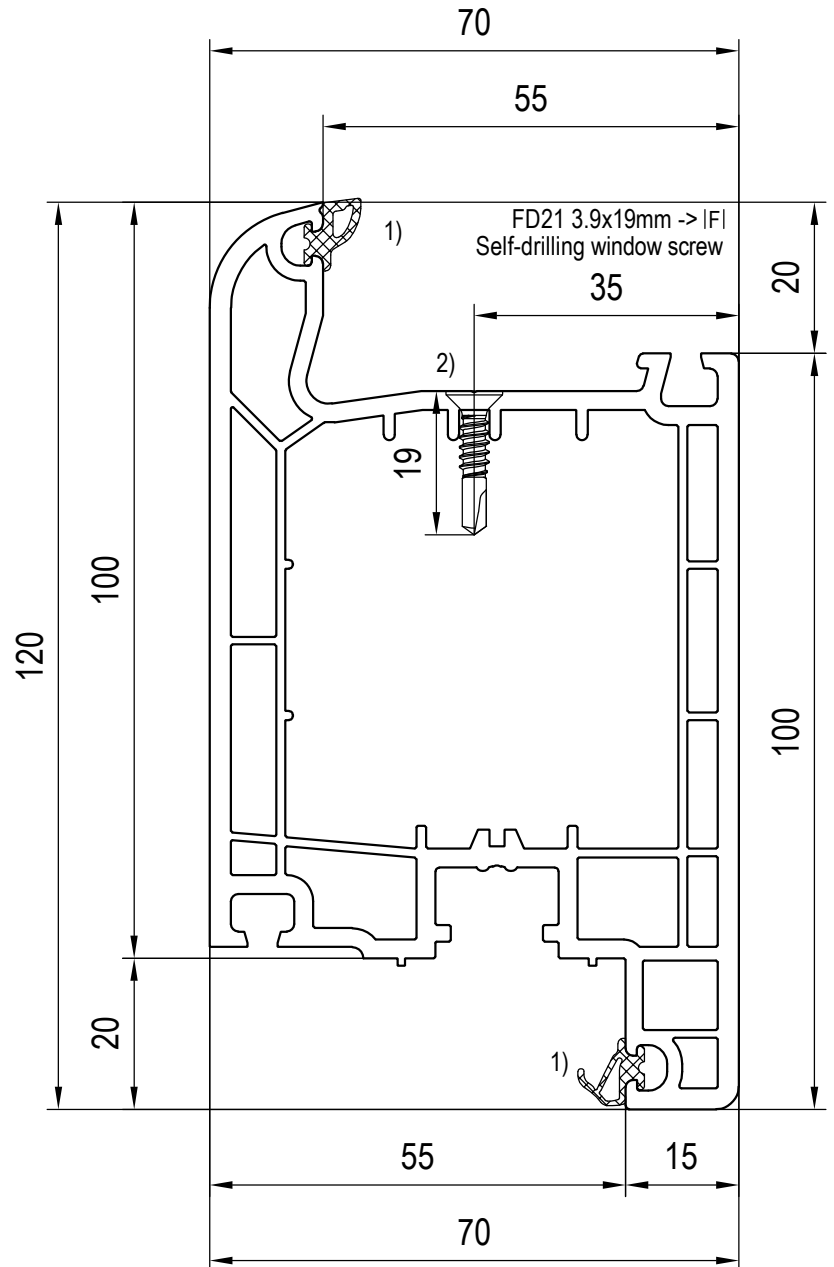
t = 0mm

4-25(26)mm

4-41(42)mm

4-41(42)mm

Glazing



IFI 229135 s=2.0mm 14.4/14.4cm4

IFI 229137 = 3x punched-out  
Reinforcements

2) Seal the screw heads in the bottom horizontal rebate

1) Integrated gasket(s): see current price list

Scale 1:1

02\_C\_01\_4\*

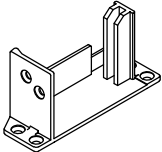
en May be subject to change  
and errors excepted!

Round-line (RL)

sash - ouvrant - anta - hoja - Flügel

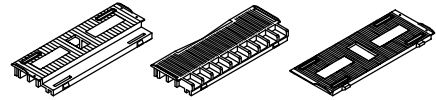
Main Profiles: Sashes  
Sash re. 120mm: 140x38



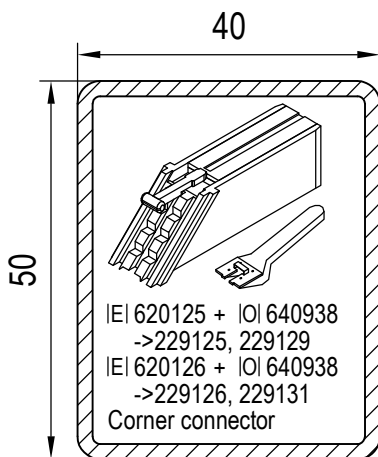
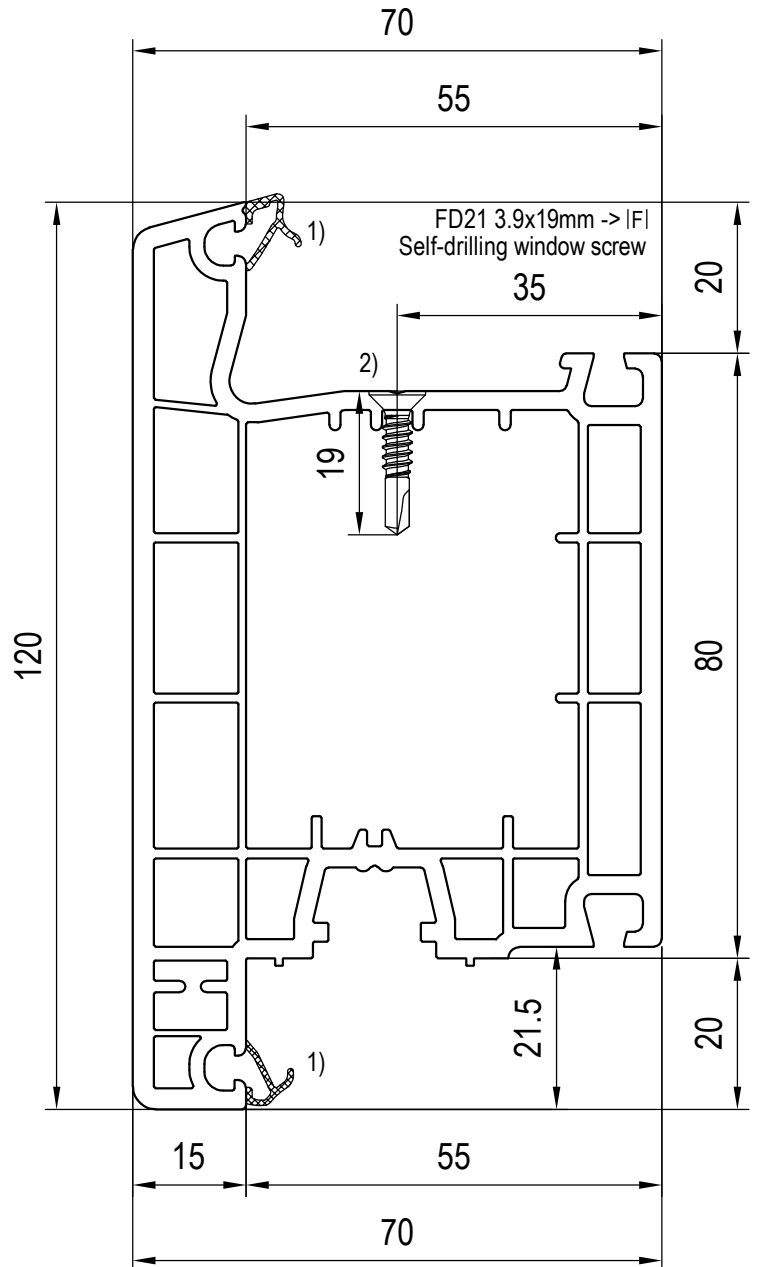


IDI 627107  
Connector

IAI ... refer to chapter 03 A



IAI 640311	IAI 640320	IAI 640301	
Spacer			
t = 5mm	t = 5mm	t = 0mm	
4-25(26)mm	4-41(42)mm	4-41(42)mm	Glazing



IFI 229125 s=2.0mm 8.5/12.1cm4  
IFI 229129 = 3-5x punched-out  
Reinforcements  
IFI 229126 s=3.0mm 11.8/16.8cm4  
IFI 229131 = 3-5x punched-out  
Reinforcements

- 2) Seal the screw heads in the bottom horizontal rebate  
1) Integrated gasket(s): see current price list

Scale 1:1

02\_C\_01\_4\*

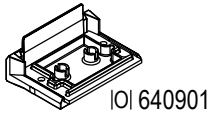
en May be subject to change  
and errors excepted!

Classic-line (CL)

sash - ouvrant - anta - hoja - Flügel

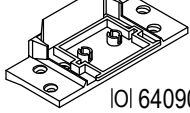
Main Profiles: Sashes

open-out, Sash re. 120mm: 140x35



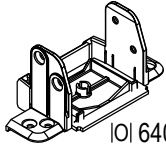
IOI 640901

IDI -  
ID 647136



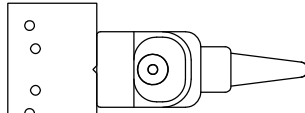
IOI 640901

IDI 677133  
ID 677103



IOI 640941

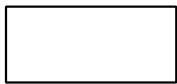
ID 647245 -> ®  
IDI Connector  
ID Connector without knobs



IOI 640901  
Auxiliary parts

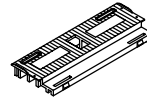


IOI 640941 -> ®  
Auxiliary parts



~45x20x1000 mm  
ID 640046

IAI ... refer to chapter 03 A

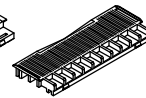


IAI 640311

Spacer

t = 5mm

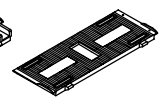
4-25(26)mm



IAI 640320

t = 5mm

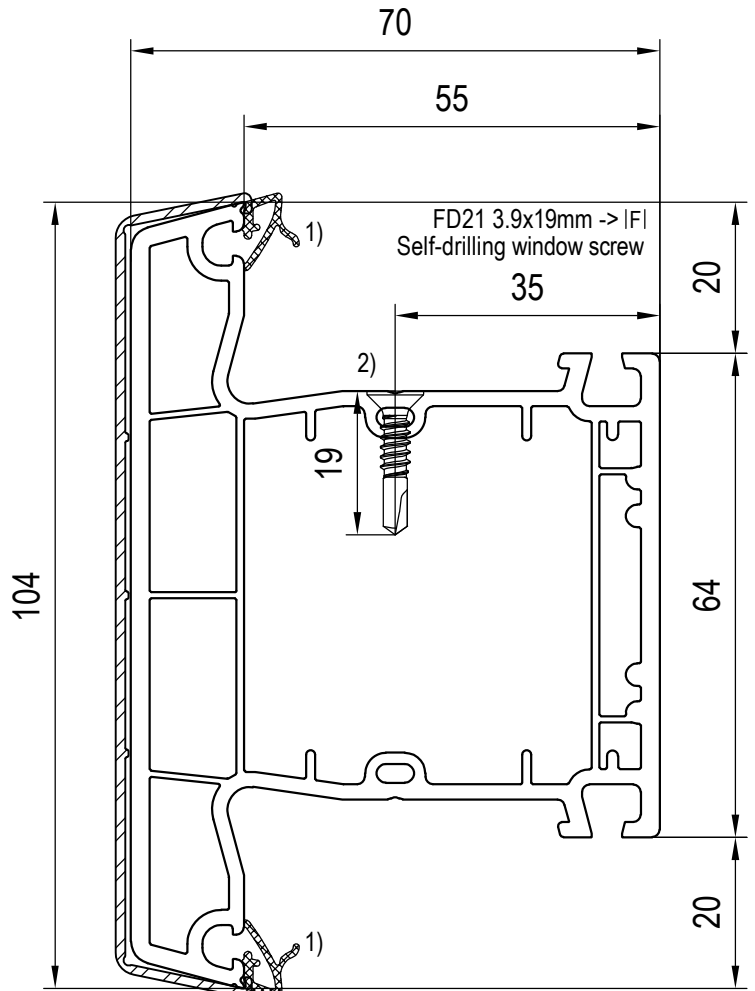
4-41(42)mm



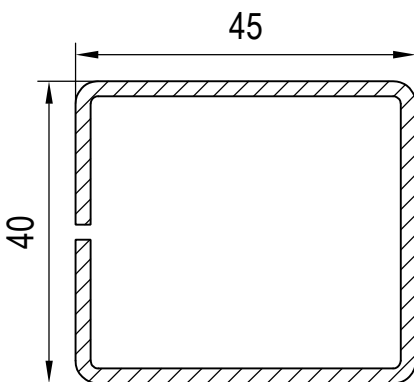
IAI 640301

t = 0mm

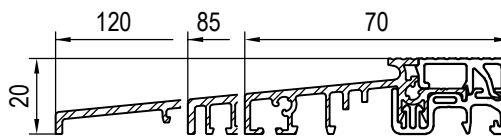
4-41(42)mm Glazing



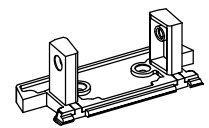
IPI 249343 **aluskin**  
Aluminium shells



IFI 249034 s=1.25mm 6.1/5.2cm4  
IFI 249035 s=2.0mm 9.2/7.8cm4  
Reinforcements



IUI 249058 IUI 269060 IUI 249060  
Aluminium thresholds



M 646075 -> IUI  
Mullion coupler

2) Seal the screw heads in the bottom horizontal rebate  
1) Integrated gasket(s): see current price list

mullion - meneau - montante - poste - Pfosten  
transom - traverse - traverso - travesaño - Sprosse

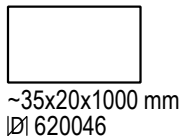
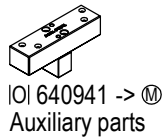
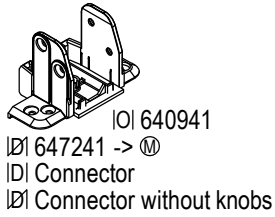
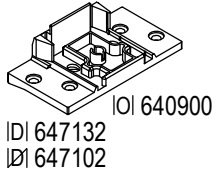
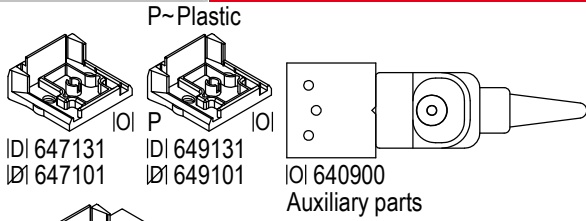
Scale 1:2, 1:1

02\_D\_01\_4\*

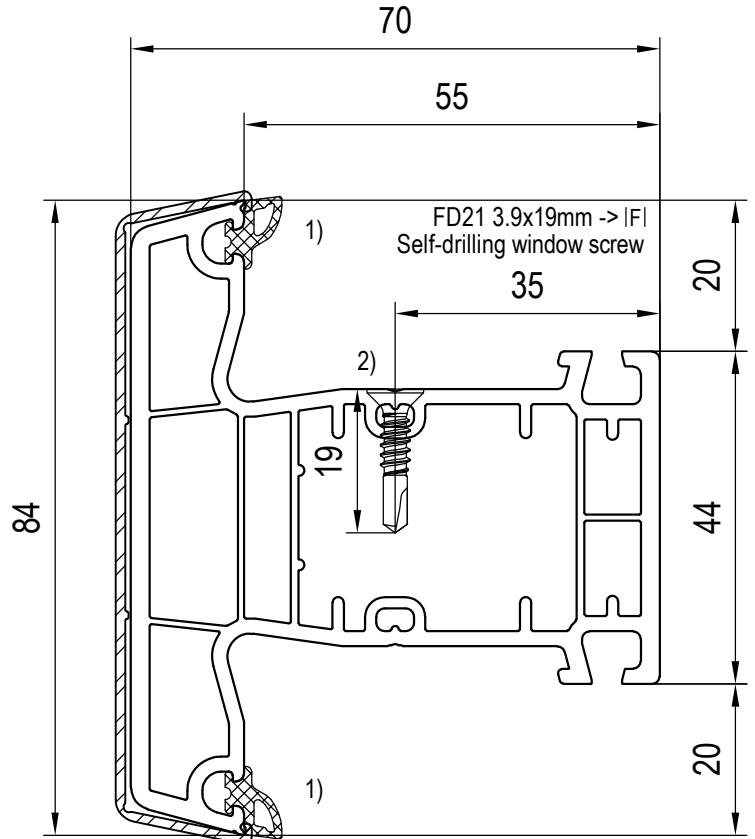
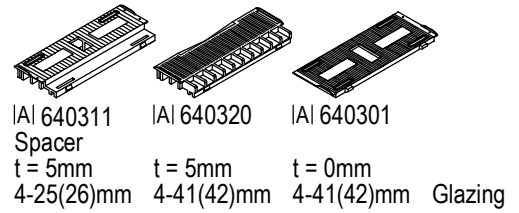
en May be subject to change and errors excepted!

Classic-line (CL)

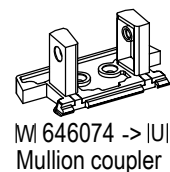
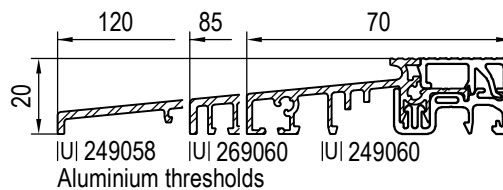
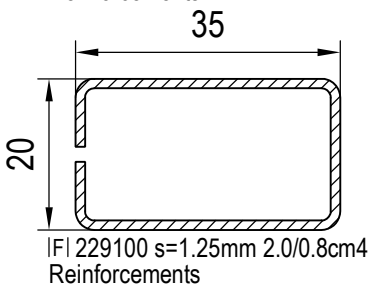
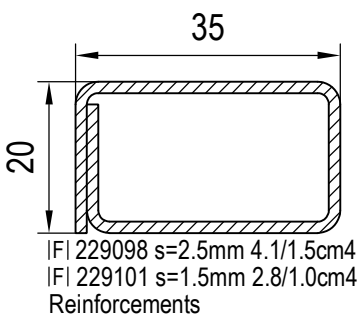
**Main Profiles: Mullions / Transoms**  
**Mullions/Transoms 104mm: 140x45**



IAI ... refer to chapter 03 A



IPI 249341 **aluskin**  
 Aluminium shells



2) Seal the screw heads in the bottom horizontal rebate  
 1) Integrated gasket(s): see current price list

mullion - meneau - montante - poste - Pfosten  
 transom - traverse - traverso - travesaño - Sprosse

Scale 1:2, 1:1

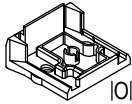
02\_D\_01\_4\*

en May be subject to change and errors excepted!

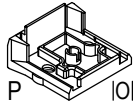
Classic-line (CL)

**Main Profiles: Mullions / Transoms**  
**Mullions/Transoms 84mm: 140x41**

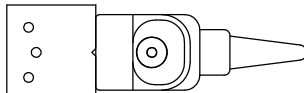
P~Plastic



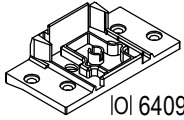
IOI 647131  
IOI 647101



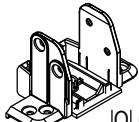
IOI 649131  
IOI 649101



IOI 640900  
Auxiliary parts



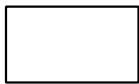
IOI 640900  
IOI 647132  
IOI 647102



IOI 640941  
IOI 647241 -> M  
IOI Connector  
IOI Connector without knobs

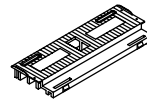


IOI 640941 -> M  
Auxiliary parts



~35x20x1000 mm  
IOI 620046

IAI ... refer to chapter 03 A

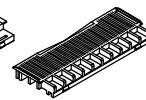


IAI 640311

Spacer

t = 5mm

4-25(26)mm

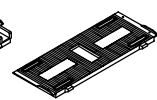


IAI 640320

Spacer

t = 5mm

4-41(42)mm

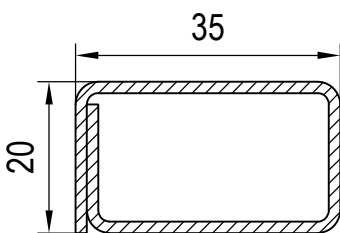
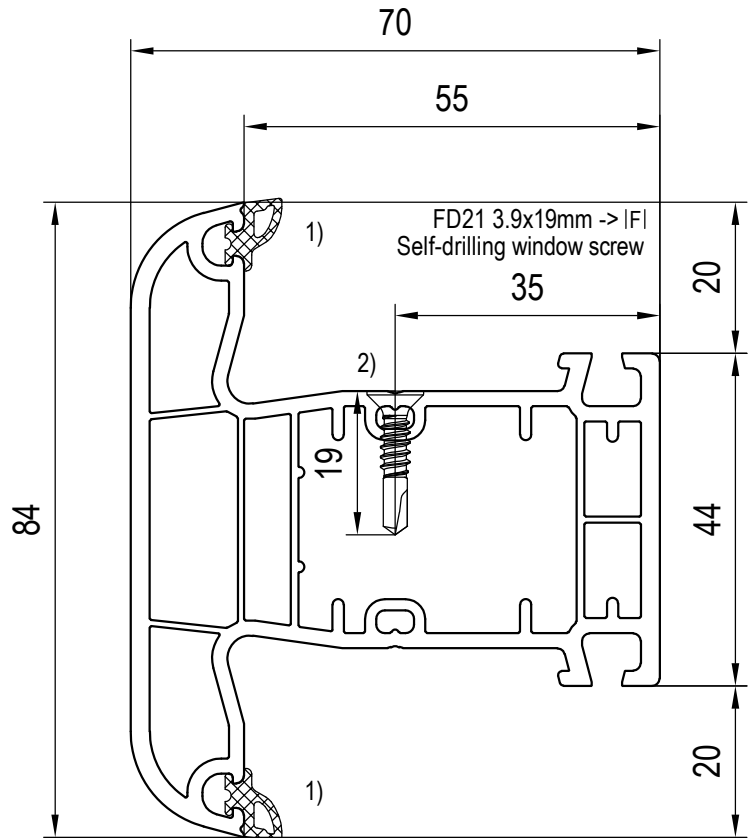


IAI 640301

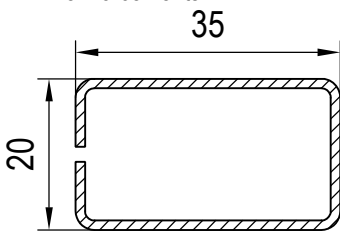
Spacer

t = 0mm

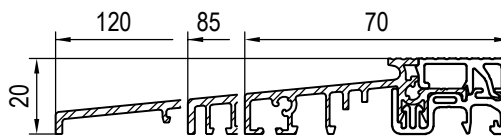
4-41(42)mm Glazing



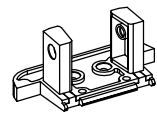
IFI 229098 s=2.5mm 4.1/1.5cm<sup>4</sup>  
IFI 229101 s=1.5mm 2.8/1.0cm<sup>4</sup>  
Reinforcements



IFI 229100 s=1.25mm 2.0/0.8cm<sup>4</sup>  
Reinforcements



IUI 249058 IUI 269060 IUI 249060  
Aluminium thresholds



M 646073 -> IUI  
Mullion coupler

2) Seal the screw heads in the bottom horizontal rebate  
1) Integrated gasket(s): see current price list

mullion - meneau - montante - poste - Pfosten  
transom - traverse - traverso - travesaño - Sprosse

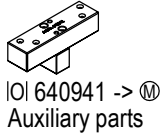
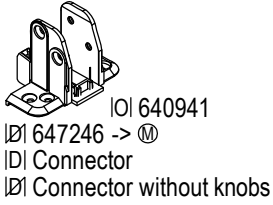
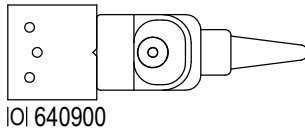
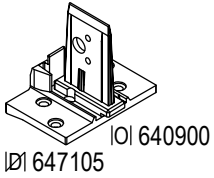
Scale 1:2, 1:1

02\_D\_01\_4\*

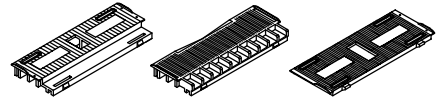
en May be subject to change and errors excepted!

Round-line (RL)

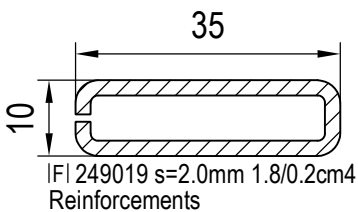
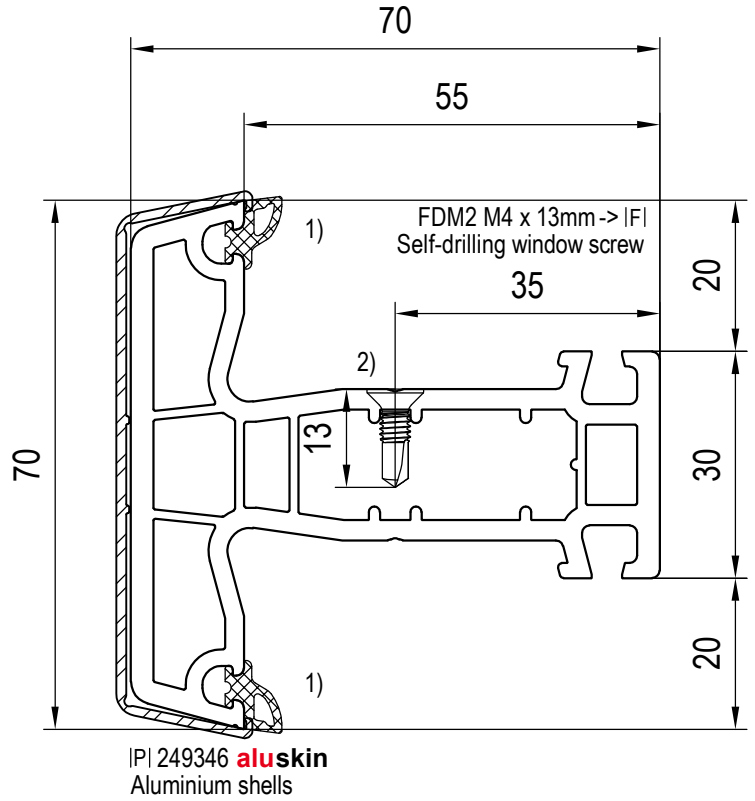
**Main Profiles: Mullions / Transoms**  
**Mullions/Transoms 84mm: 140x47**



IAI ... refer to chapter 03 A



IAI 640311 IAI 640320 IAI 640301  
Spacer  
t = 5mm t = 5mm t = 0mm  
4-25(26)mm 4-41(42)mm 4-41(42)mm Glazing



- 2) Seal the screw heads in the bottom horizontal rebate
- 1) Integrated gasket(s): see current price list

Scale 1:1

02\_D\_01\_4\*

en May be subject to change and errors excepted!

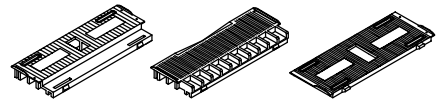
Classic-line (CL)

transom - traverse - traverso - travesaño - Sprosse

**Main Profiles: Mullions / Transoms**

**Transom 70mm: 140x46**

IAI ... refer to chapter 03 A



IAI 640311

IAI 640320

IAI 640301

Spacer

t = 5mm

t = 5mm

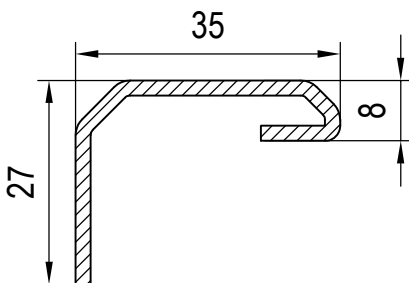
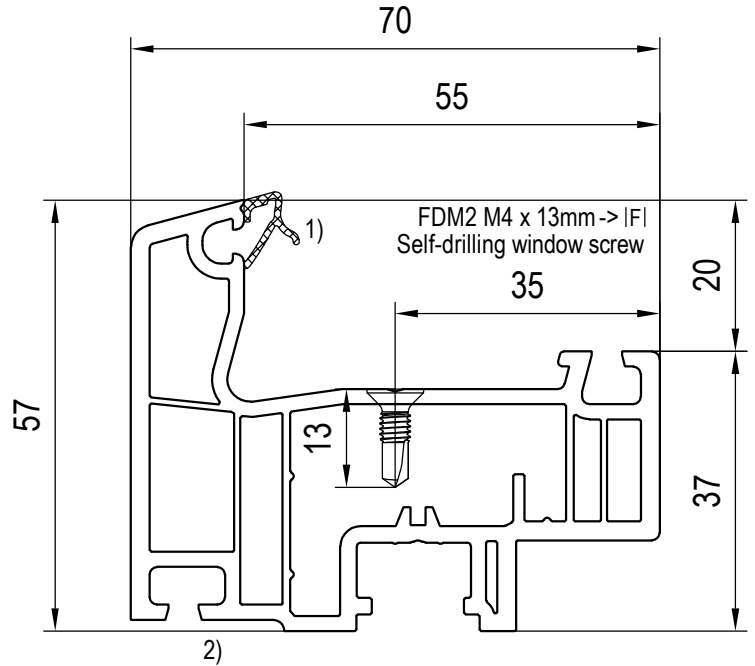
t = 0mm

4-25(26)mm

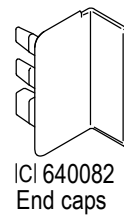
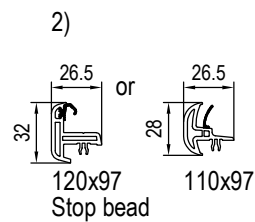
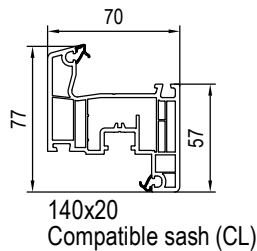
4-41(42)mm

4-41(42)mm

Glazing



IFI 229027 s=1.5mm 1.7/0.6cm<sup>4</sup>  
IFI 229028 s=2.0mm 2.1/0.8cm<sup>4</sup>  
Reinforcements



1) Integrated gasket(s): see current price list

false mullion sash - battement intégré -  
anta-scambio battuta - hoja batiente - Stulpflügel

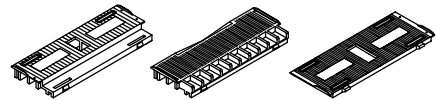
Scale 1:4, 1:1

02\_E\_01\_4\*

en May be subject to change  
and errors excepted!

**Main Profiles: False Mullion Sashes / False Mullions**  
**Classic-line (CL)**  
**False mullion sash re. 57mm: 140x76**

IAI ... refer to chapter 03 A



IAI 640311

IAI 640320

IAI 640301

Spacer

t = 5mm

t = 5mm

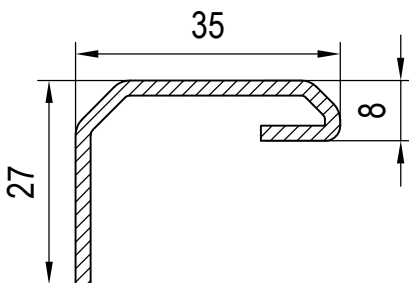
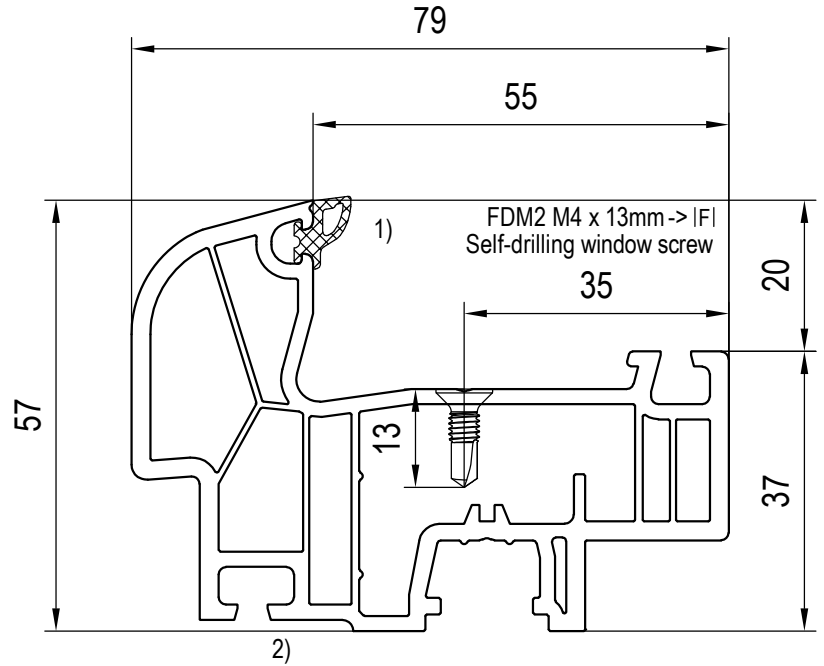
t = 0mm

4-25(26)mm

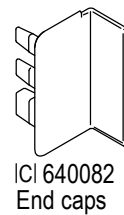
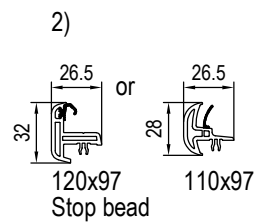
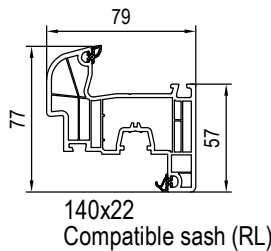
4-41(42)mm

4-41(42)mm

Glazing



IFI 229027 s=1.5mm 1.7/0.6cm<sup>4</sup>  
IFI 229028 s=2.0mm 2.1/0.8cm<sup>4</sup>  
Reinforcements



1) Integrated gasket(s): see current price list

false mullion sash - battement intégré -  
anta-scambio battuta - hoja batiente - Stulpflügel

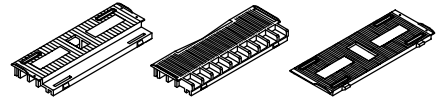
Scale 1:4, 1:1

02\_E\_01\_4\*

en May be subject to change  
and errors excepted!

**Main Profiles: False Mullion Sashes / False Mullions**  
**Round-line (RL) False mullion sash s.re. 57mm: 140x82**

IAI ... refer to chapter 03 A



IAI 640311

IAI 640320

IAI 640301

Spacer

t = 5mm

t = 5mm

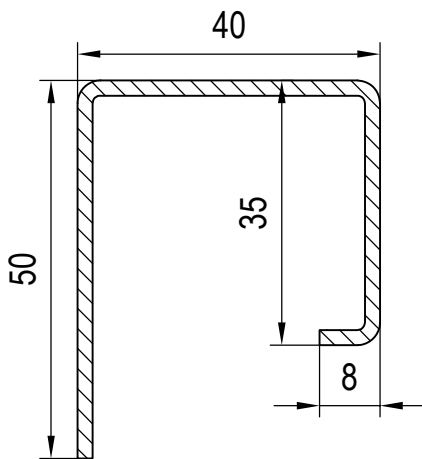
t = 0mm

4-25(26)mm

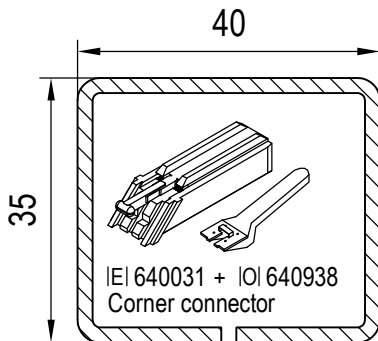
4-41(42)mm

4-41(42)mm

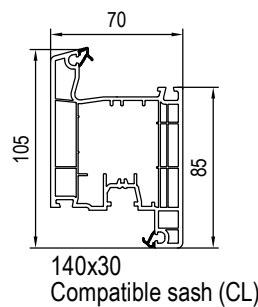
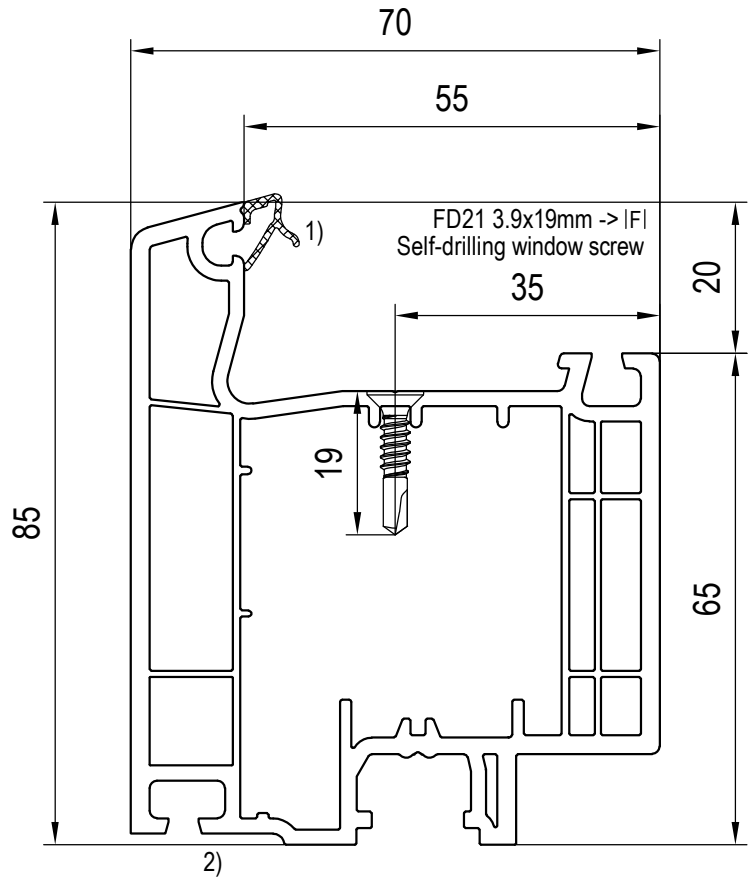
Glazing



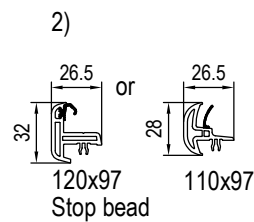
IFI 249031 s=2.0mm 6.9/5.5cm<sup>4</sup>  
Reinforcements



IFI 229114 s=1.5mm 5.0/4.0cm<sup>4</sup>  
IFI 229115 s=2.0mm 6.4/5.0cm<sup>4</sup>  
Reinforcements



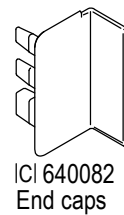
140x30  
Compatible sash (CL)



2)

120x97  
Stop bead

110x97



ICI 640082  
End caps

1) Integrated gasket(s): see current price list

Scale 1:4, 1:1

02\_E\_01\_4\*

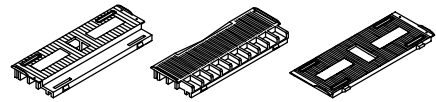
en May be subject to change and errors excepted!

false mullion sash - battement intégré -  
anta-scambio battuta - hoja batiente - Stulpflügel

**Main Profiles: False Mullion Sashes / False Mullions**  
**Classic-line (CL)**  
**False mullion sash re. 85mm: 140x77**



IAI ... refer to chapter 03 A



IAI 640311

IAI 640320

IAI 640301

Spacer

t = 5mm

t = 5mm

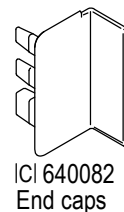
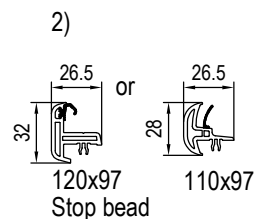
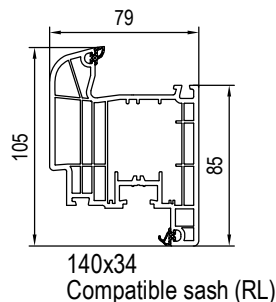
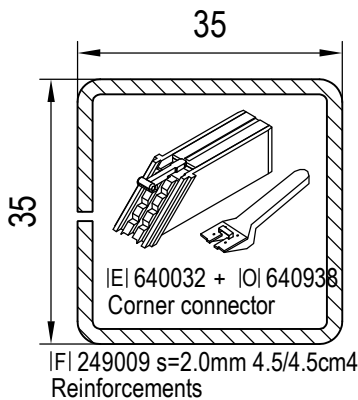
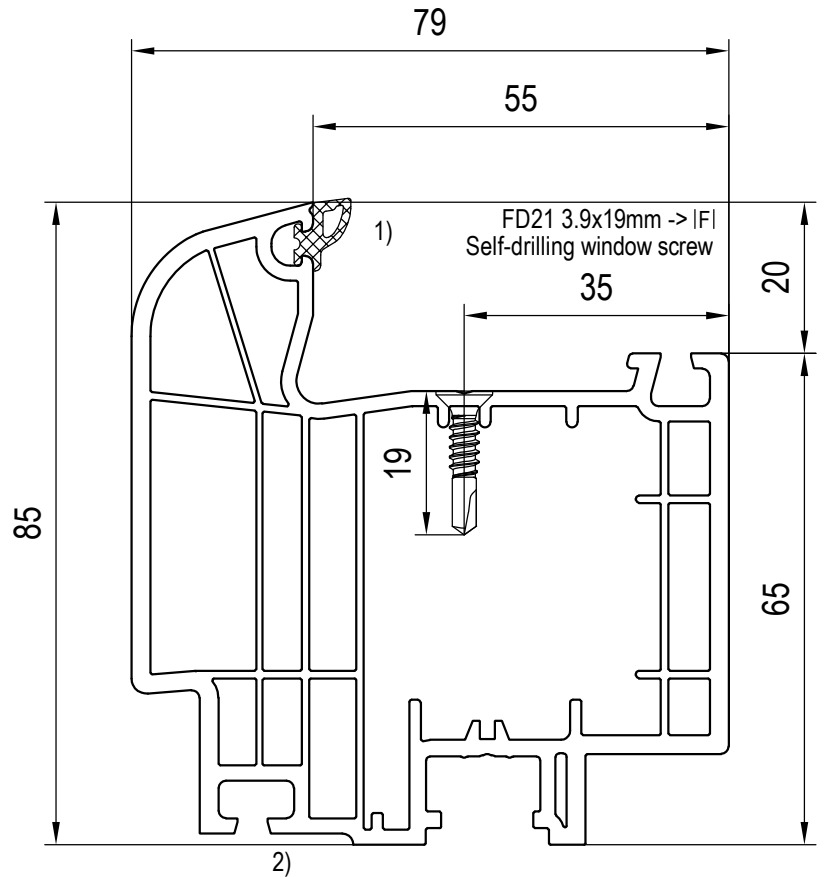
t = 0mm

4-25(26)mm

4-41(42)mm

4-41(42)mm

Glazing



1) Integrated gasket(s): see current price list

Scale 1:4, 1:1

02\_E\_01\_4\*

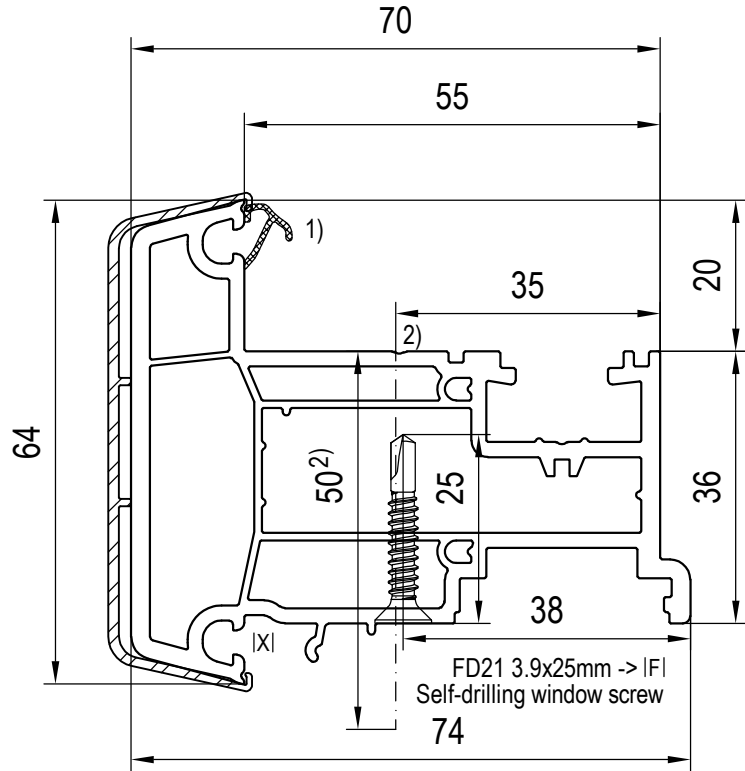
en May be subject to change and errors excepted!

false mullion sash - battement intégré - anta-scambio battuta - hoja batiente - Stulpflügel

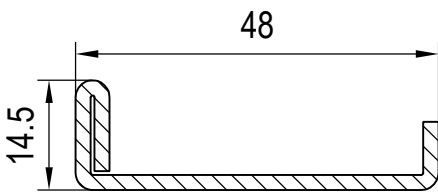
Main Profiles: False Mullion Sashes / False Mullions

Round-line (RL)

False mullion sash s.re. 85mm: 140x84



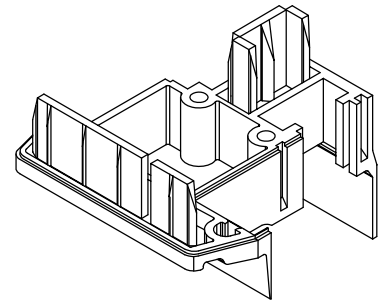
IPI 249366 **aluskin**  
Aluminium shells



IFI 229063 s=2.0mm 4.3/0.2cm4  
Reinforcements



IXI 447340, 449340  
Gaskets



ICI 640066  
End caps

- 2) Screw the false mullion directly to the sash profile
- 1) Integrated gasket(s): see current price list

false mullion - battement - scambio battuta - batiente - Stulp

Scale 1:1

02\_E\_01\_4\*

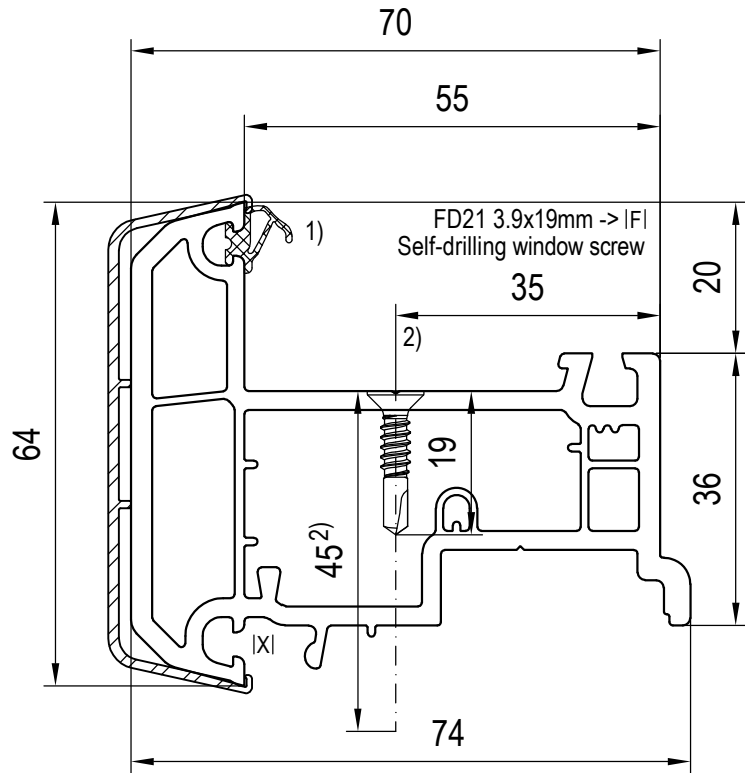
en May be subject to change and errors excepted!

(large)

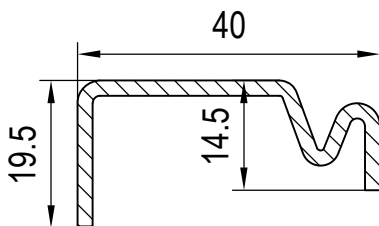
Classic-line (CL)

Main Profiles: False Mullion Sashes / False Mullions

False mullion 64mm: 140x66



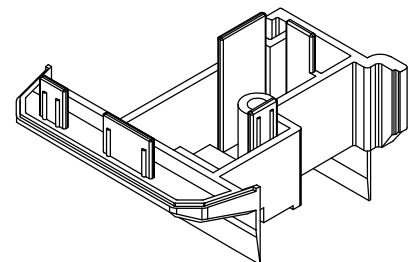
IPI 249366 **aluskin**  
Aluminium shells



IFI 259094 s=2.0mm 3.1/0.4cm<sup>4</sup>  
Reinforcements



IXI 447340, 449340  
Gaskets



ICI 640067  
End caps

- 2) Screw the false mullion directly to the sash profile
- 1) Integrated gasket(s): see current price list

false mullion - battement - scambio battuta - batiente - Stulp

Scale 1:1

02\_E\_01\_4\*

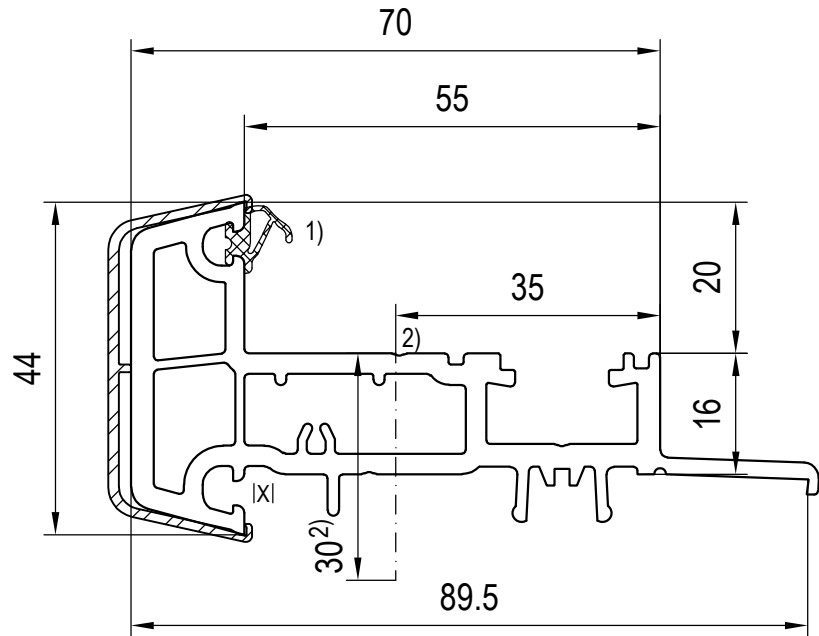
en May be subject to change and errors excepted!

(large)

Main Profiles: False Mullion Sashes / False Mullions

Soft-line (SL) -> Front door

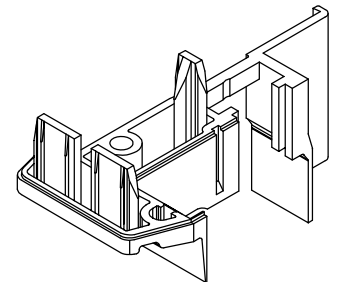
False mullion 64mm: 140x67



IPI 249365 **aluskin**  
Aluminium shells



IXI 447340, 449340  
Gaskets



ICI 640065  
End caps

2) Screw the false mullion directly to the sash profile  
1) Integrated gasket(s): see current price list

false mullion - battement - scambio battuta - batiente - Stulp

Scale 1:1

02\_E\_01\_4\*

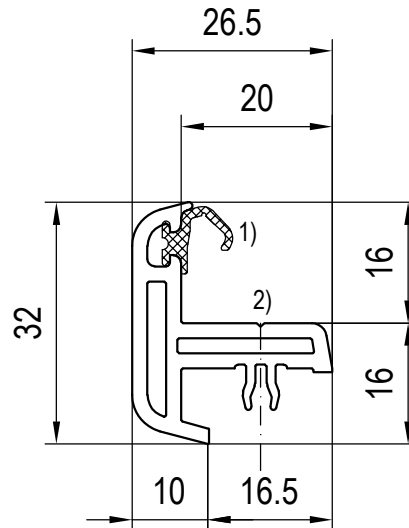
en May be subject to change and errors excepted!

(small)

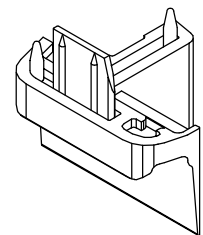
Classic-line (CL)

Main Profiles: False Mullion Sashes / False Mullions

False mullion 44mm: 140x65



Stop bead  
-> False mullion sash  
-> 140x76,  
140x77,  
140x82,  
140x84



ICI 620097  
End caps

2) Screw the false mullion directly to the sash profile  
1) Integrated gasket(s): see current price list

false mullion - battement - scambio battuta - batiente - Stulp

Scale 1:1

02\_E\_01\_4\*

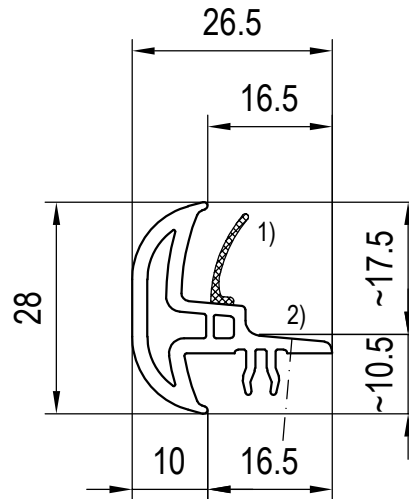
en May be subject to change and errors excepted!

(mini)

Round-line (RL)

Main Profiles: False Mullion Sashes / False Mullions

False mullion 32mm: 120x97



Stop bead  
-> False mullion sash  
-> 140x76,  
140x77,  
140x82,  
140x84

2) Screw the false mullion directly to the sash profile  
1) Integrated gasket(s): see current price list

false mullion - battement - scambio battuta - batiente - Stulp

Scale 1:1

02\_E\_01\_4\*

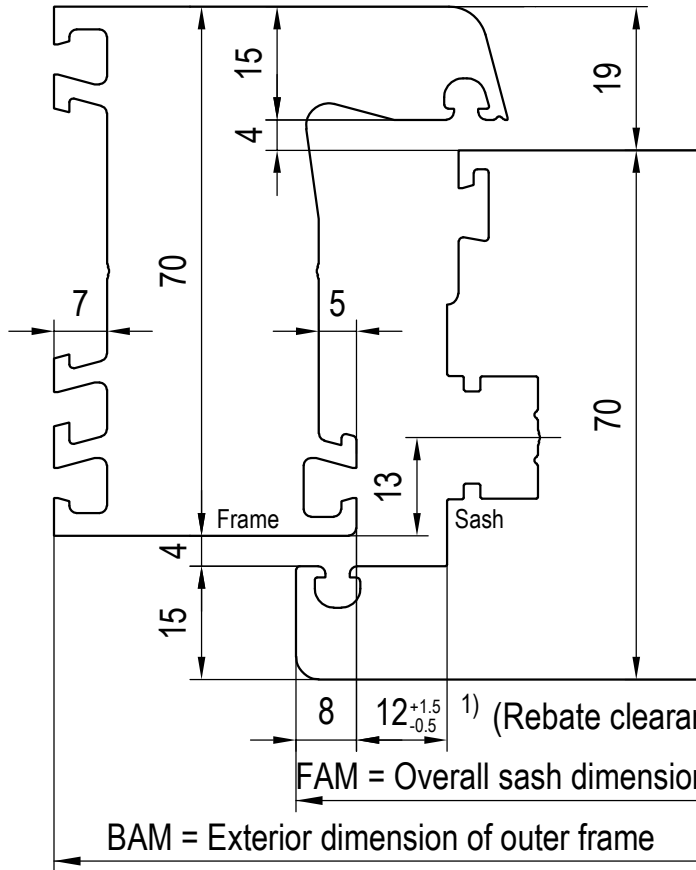
en May be subject to change and errors excepted!

(mini)

Round-line (RL)

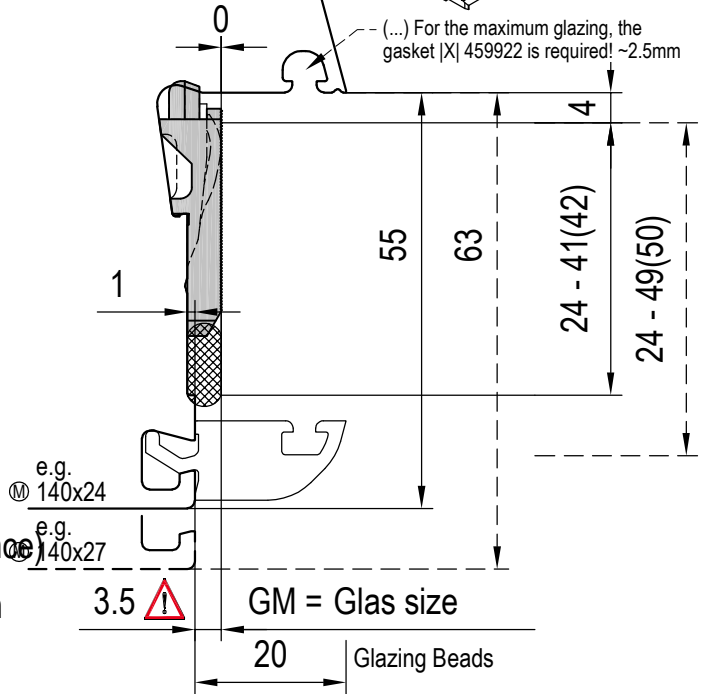
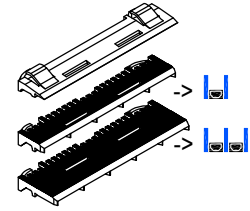
Main Profiles: False Mullion Sashes / False Mullions

False mullion 28mm: 110x97

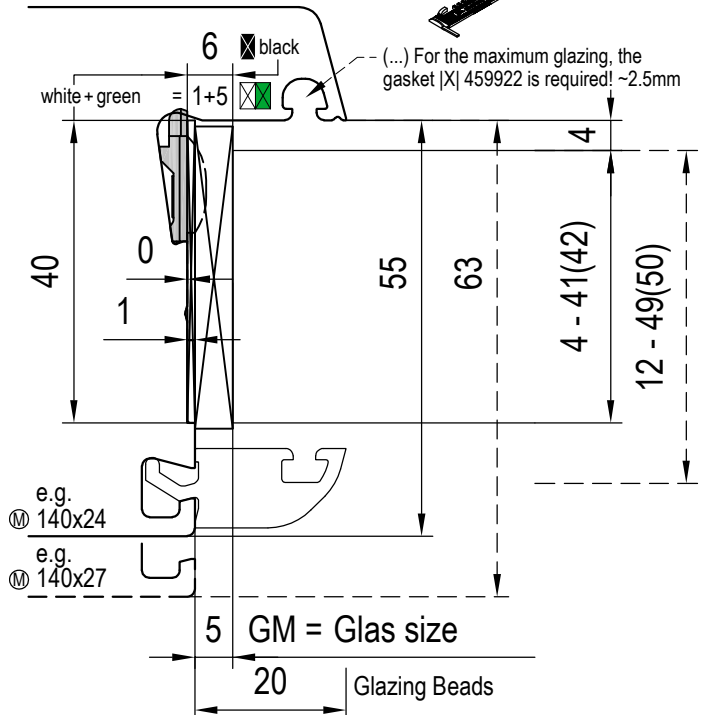


≥ 24mm Glazing thickness  
Bonding of pane

- Ⓜ |J| 642262 Bonding of pane
- Ⓜ |J| 642261/646265 Bonding of pane
- Ⓜ |J| 642263/646266 Bonding of pane  
(depends on glazing bead design and gaskets)



Ⓜ |A| 650250 Spacer  
(depends on glazing bead design and gaskets)



1) Rebate clearance of main entrance door on left and right side = 13 mm

Scale 1:1

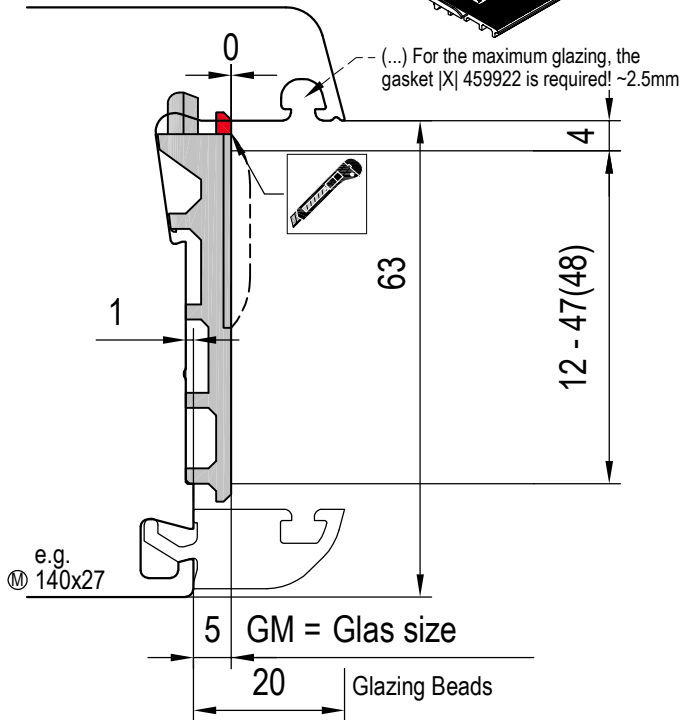
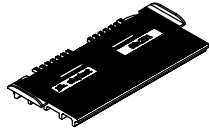
03\_A\_01\_4\*

en May be subject to change and errors excepted!

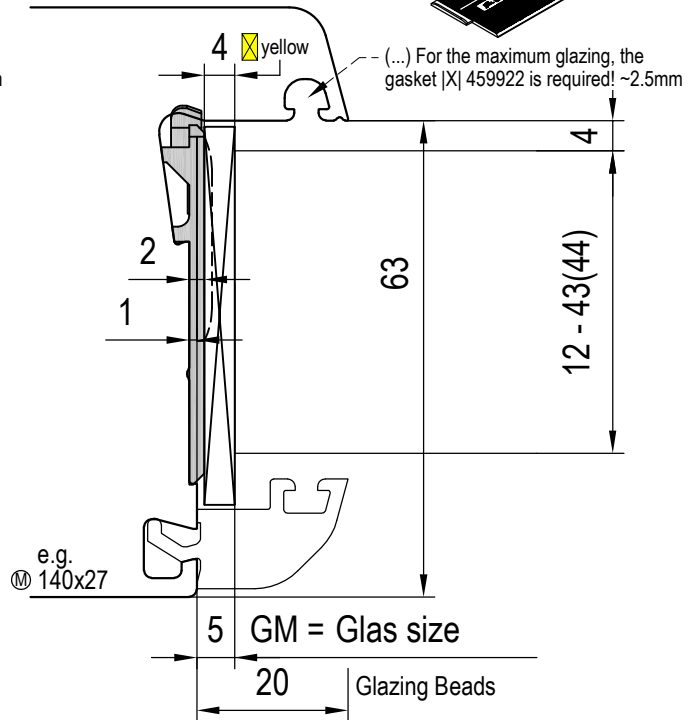
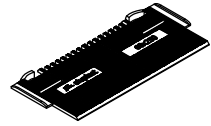
**Combinations:**

**Construction Dimensions  
Glazing**

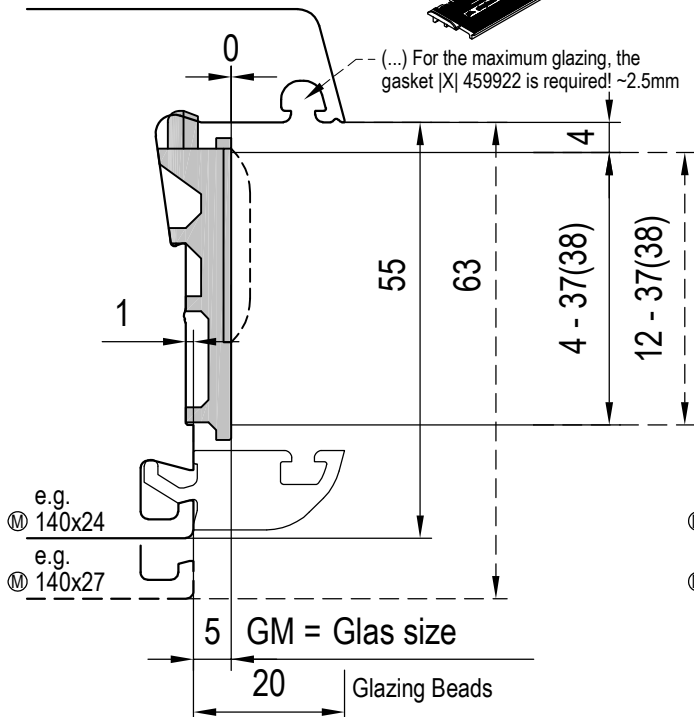
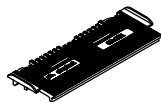
Ⓜ IA| 685251 Spacer  
(depends on glazing bead design and gaskets)



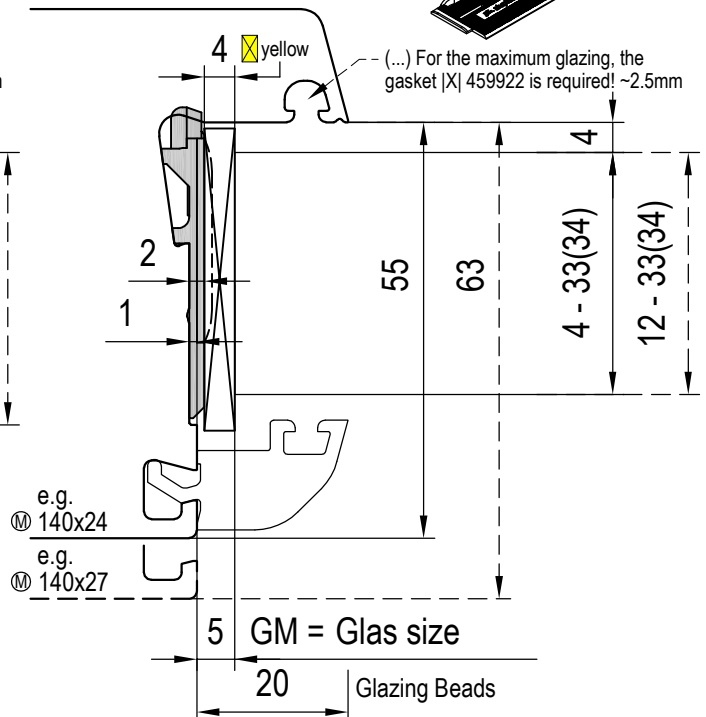
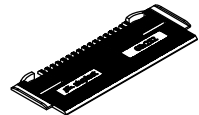
Ⓜ IA| 680250 Spacer  
(depends on glazing bead design and gaskets)



Ⓜ IA| 655251 Spacer  
(depends on glazing bead design and gaskets)

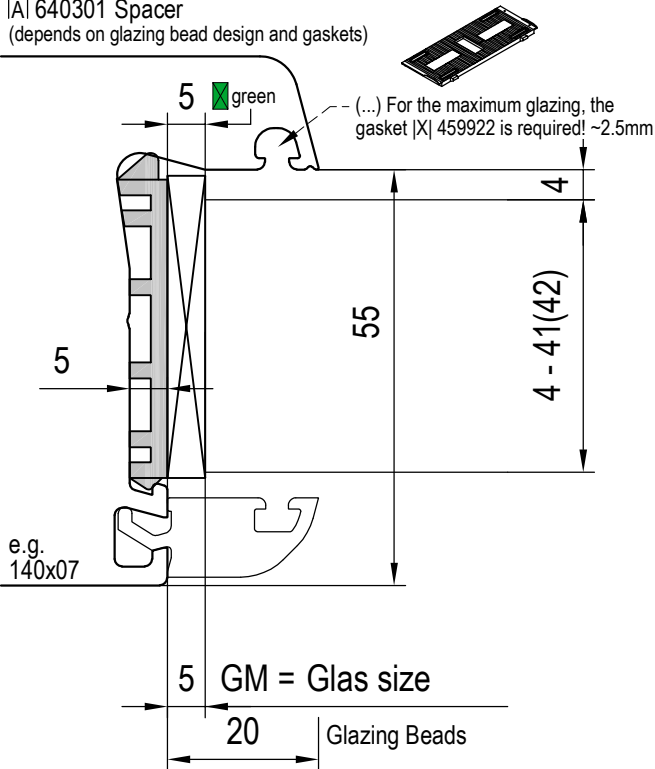


Ⓜ IA| 650252 Spacer  
(depends on glazing bead design and gaskets)

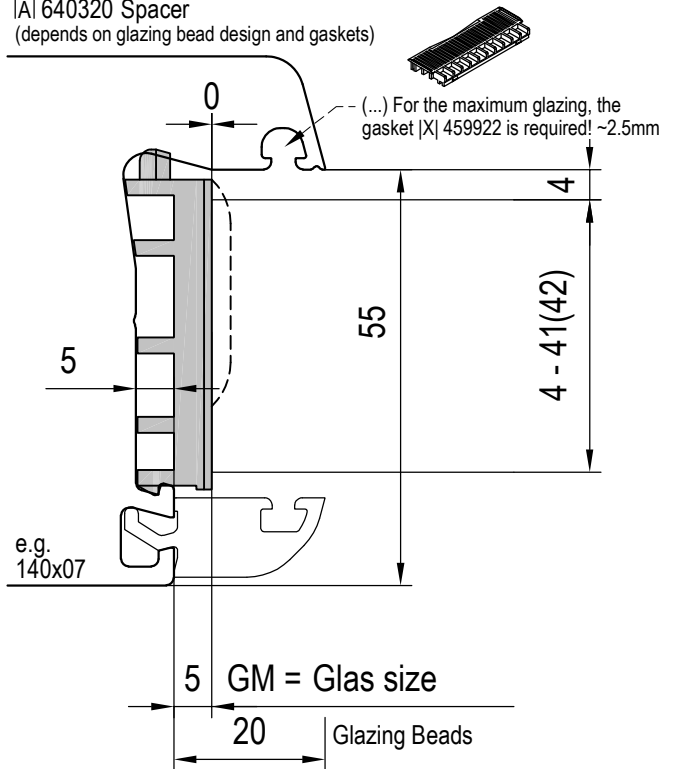




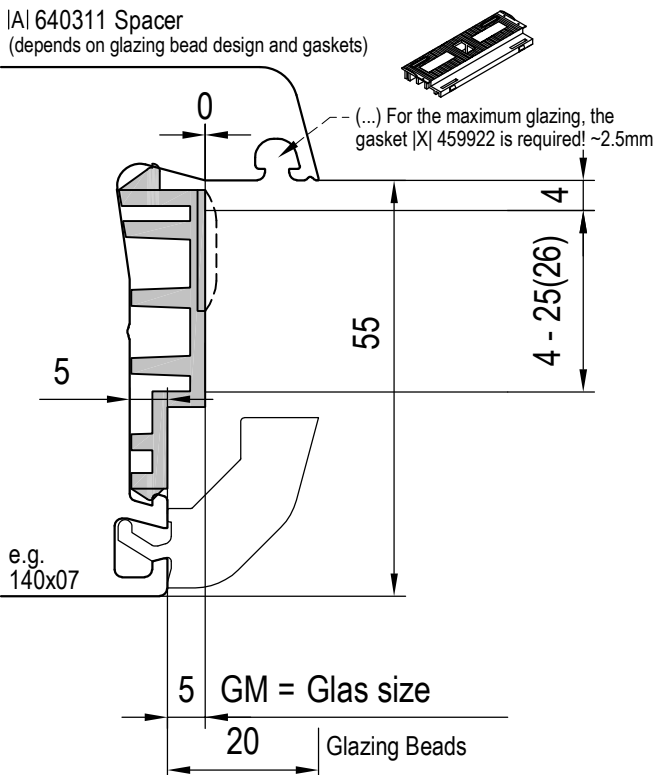
IAI 640301 Spacer  
(depends on glazing bead design and gaskets)



IAI 640320 Spacer  
(depends on glazing bead design and gaskets)



IAI 640311 Spacer  
(depends on glazing bead design and gaskets)



Combinations: thresholds - sash

Glazing beads 120846/120876

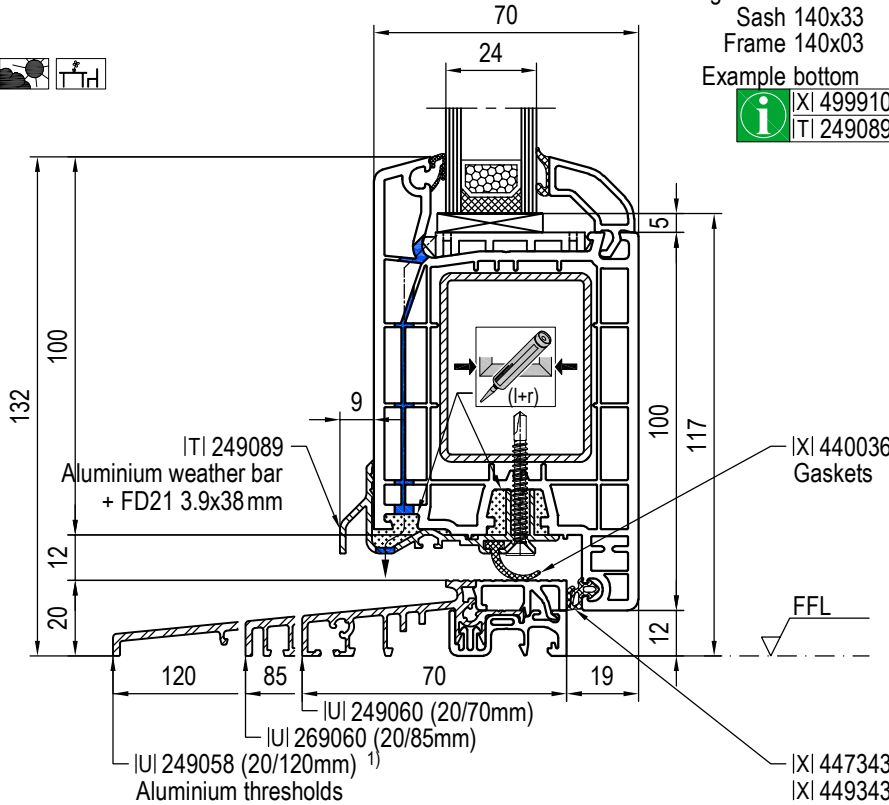
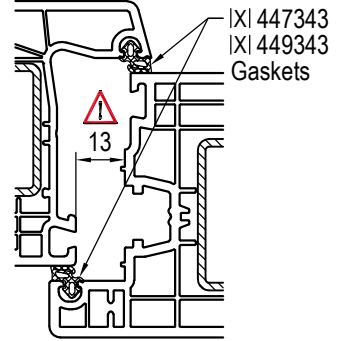
Combinations: frame - sash laterally (Rebate clearance)



Sash 140x33  
Frame 140x03

Example bottom = Alternative

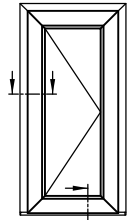
- XI 499910 ~ Standard
- TI 249089 ~ Alternative



Seal thresholds laterally with silicone rubber!

1) Required in 120mm deep frame profiles!

Example bottom



Combinations: thresholds - sash

Glazing beads 120846/120876

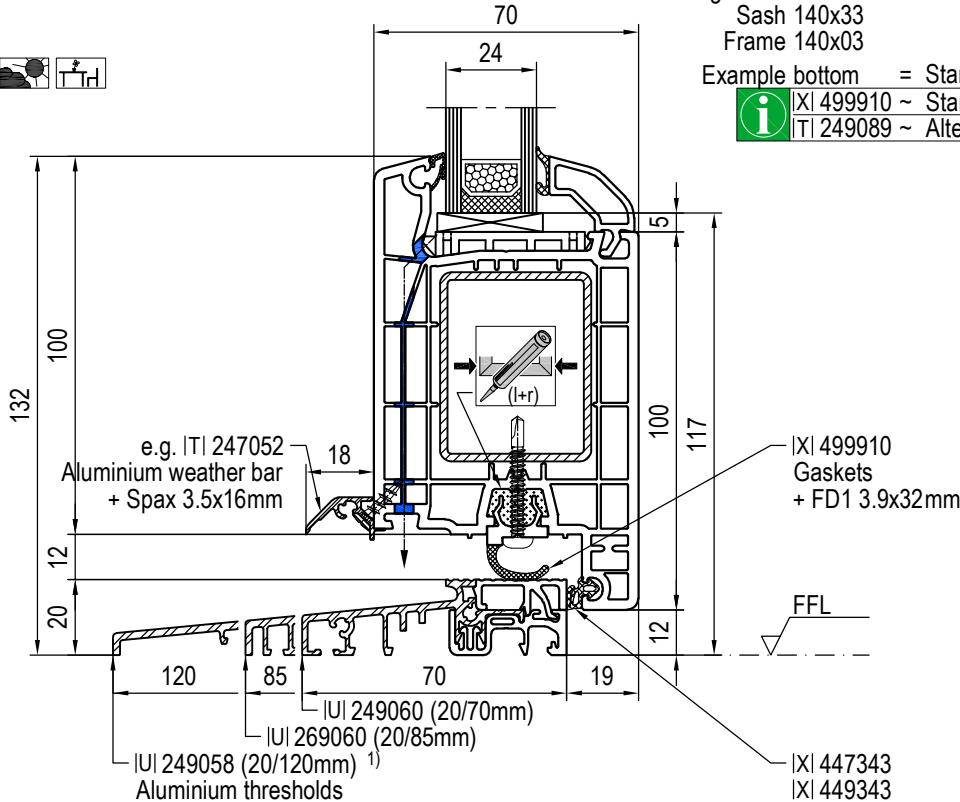
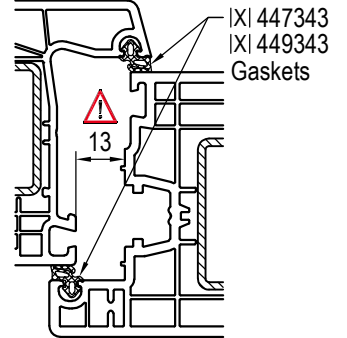
Combinations: frame - sash laterally (Rebate clearance)



Sash 140x33  
Frame 140x03

Example bottom = Standard

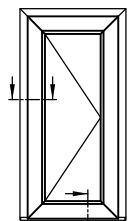
- XI 499910 ~ Standard
- TI 249089 ~ Alternative



Seal thresholds laterally with silicone rubber!

1) Required in 120mm deep frame profiles!

Example bottom



Scale 1:2

03\_B\_01\_4\*

en May be subject to change and errors excepted!

Combinations:  
Classic-line (CL)

Residential door thresholds  
Threshold - Sash

Combinations: thresholds - sash doubled

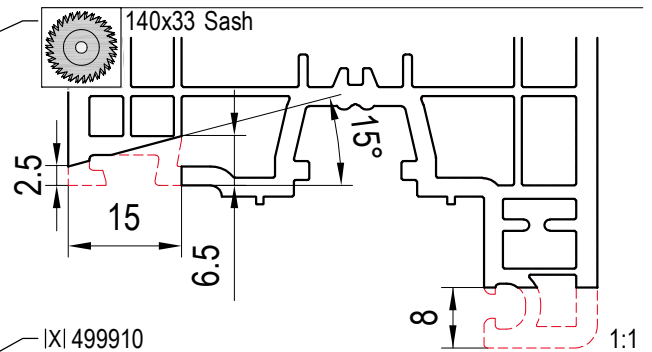
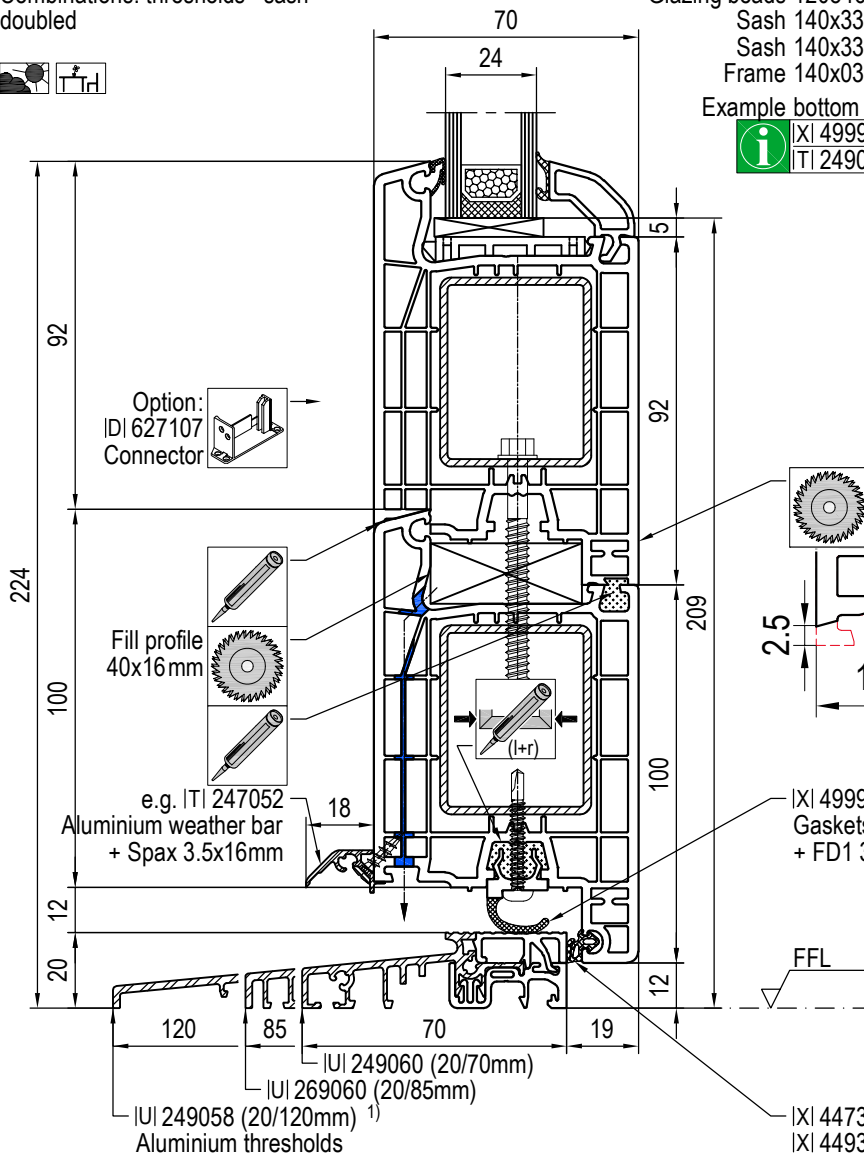
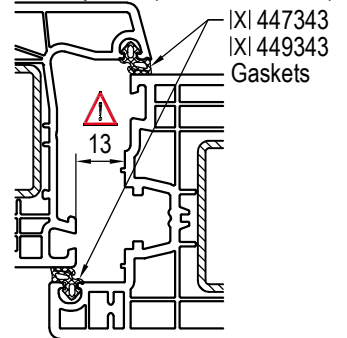


Glazing beads 120846/120876

Sash 140x33  
Sash 140x33  
Frame 140x03

Example bottom = Standard  
 XI 499910 ~ Standard  
 ITI 249089 ~ Alternative

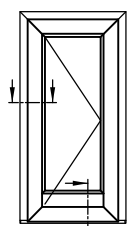
Combinations: frame - sash laterally (Rebate clearance)



XI 499910  
Gaskets  
+ FD1 3.9x32mm

FFL

XI 447343  
XI 449343  
Gaskets



Seal thresholds laterally with silicone rubber!

1) Required in 120mm deep frame profiles!

Example bottom

Scale 1:2

03\_B\_01\_4\*

en May be subject to change and errors excepted!

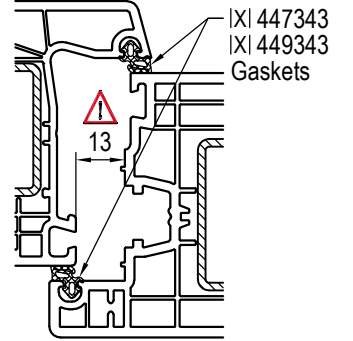
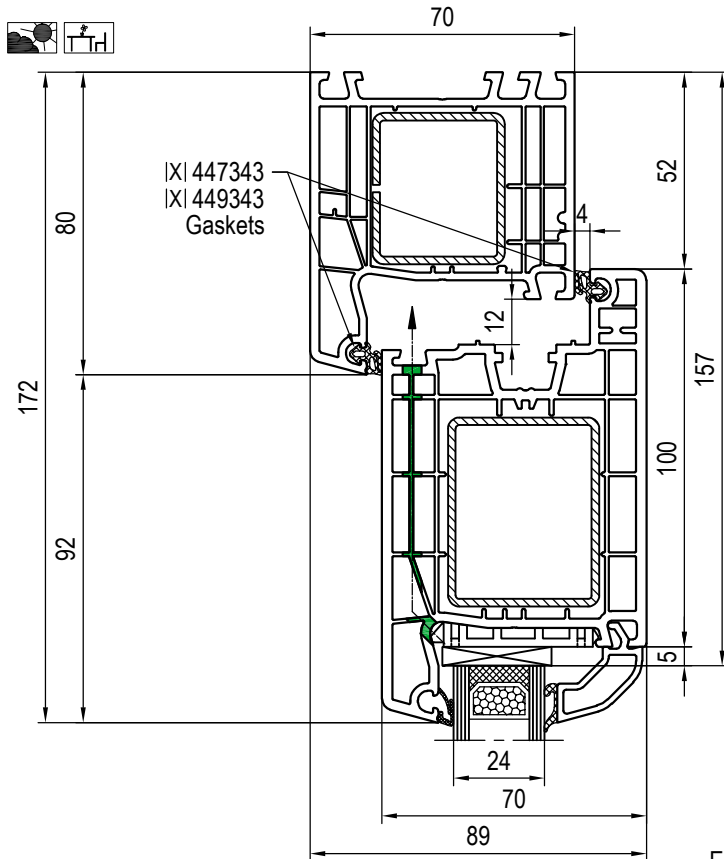
**Combinations:**  
**Classic-line (CL)**

**Residential door thresholds**  
**Threshold - Sash doubled**

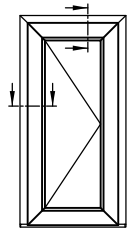
Combinations: frame - sash

Glazing beads 120846/120876  
Sash 140x33  
Frame 140x03

Combinations: frame - sash  
laterally (Rebate clearance)

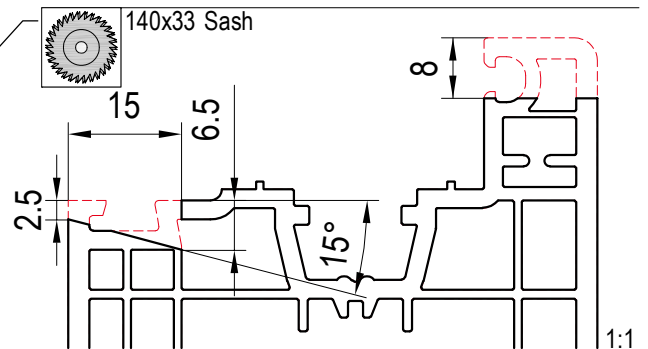
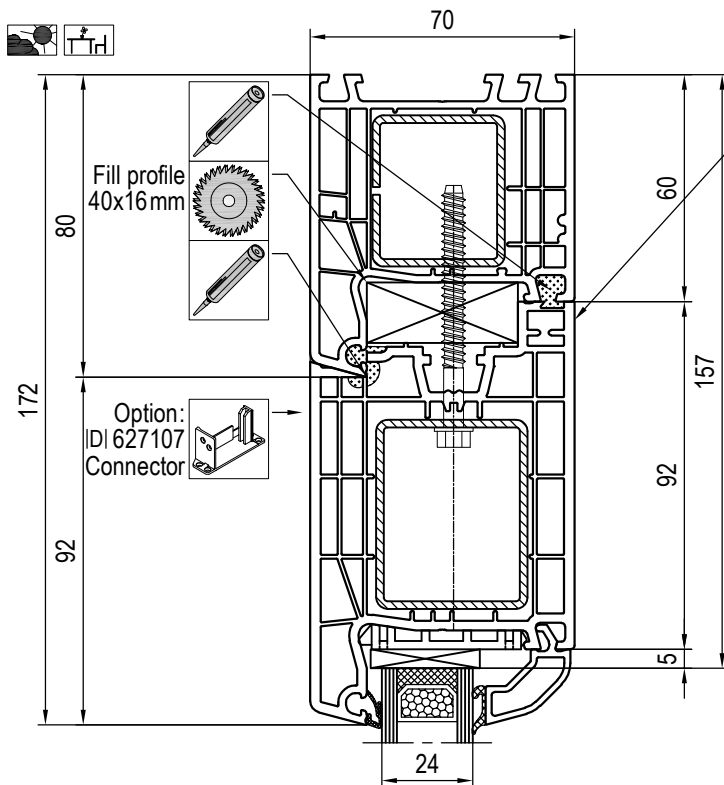


Example top

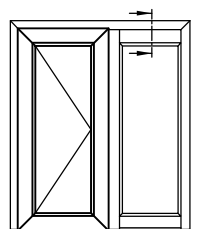


Combinations: frame - sash  
Side element

Glazing beads 120846/120876  
Sash 140x33  
Frame 140x03



Example top



Coloured profiles require special measures!

Scale 1:2

03\_B\_01\_4\*

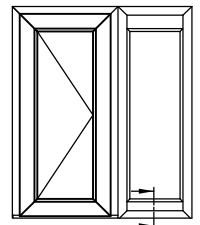
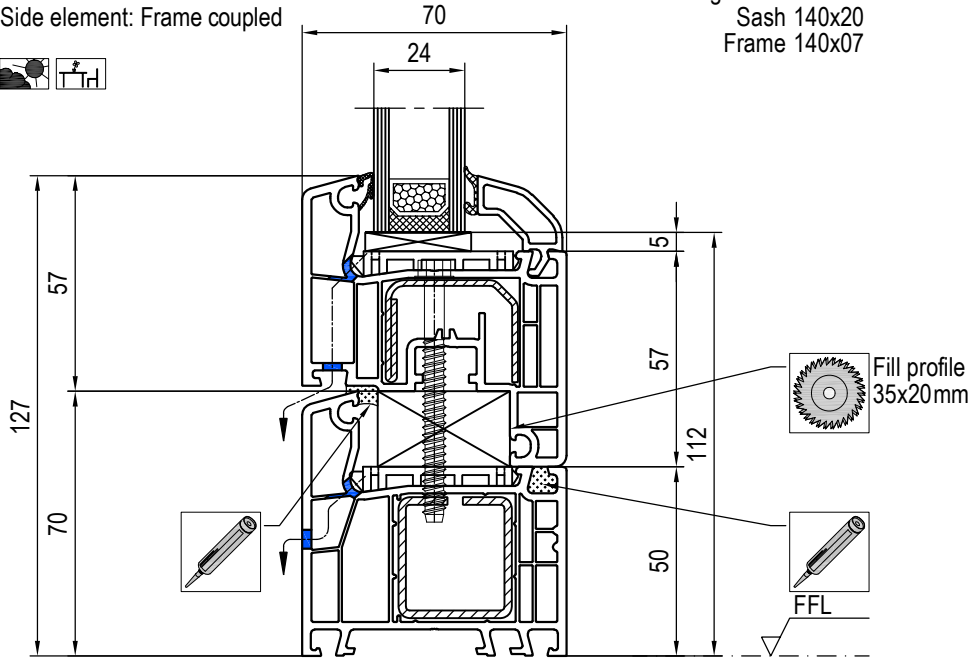
en May be subject to change and errors excepted!

Combinations:  
Classic-line (CL)

Residential door thresholds  
Frame - Sash / Side element (top)

Combinations: frame - sash  
Side element: Frame coupled

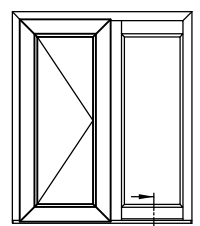
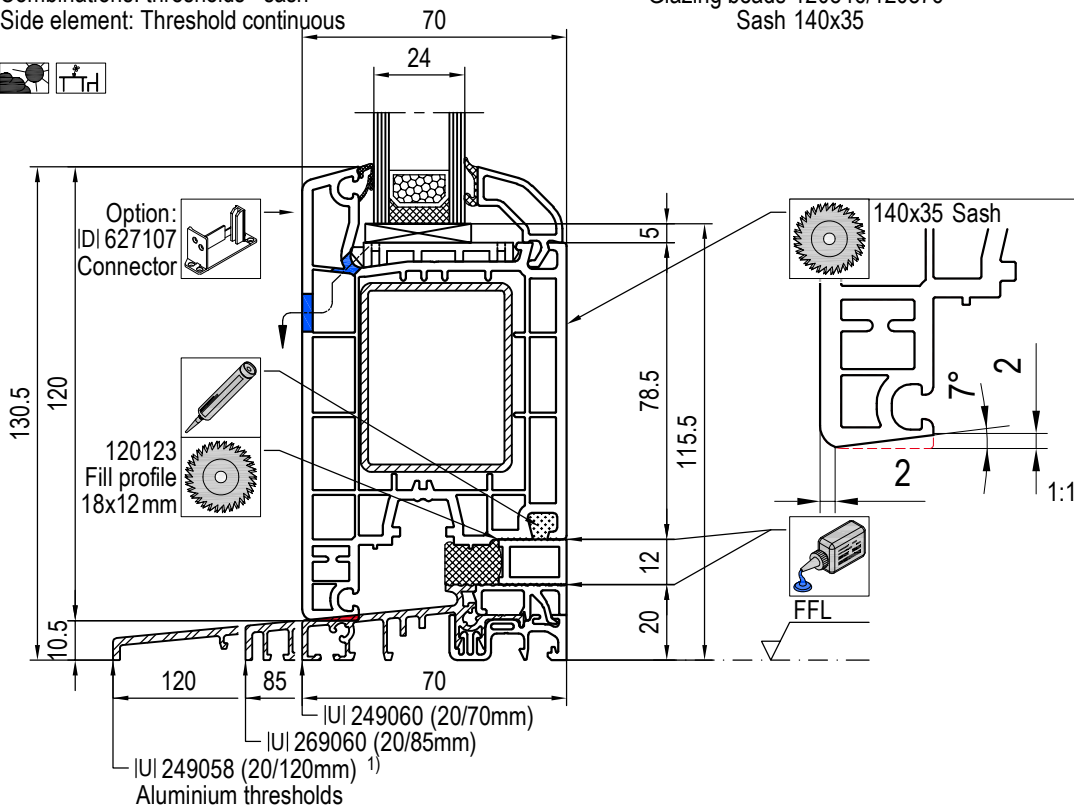
Glazing beads 120846/120876  
Sash 140x20  
Frame 140x07



Example bottom

Combinations: thresholds - sash  
Side element: Threshold continuous

Glazing beads 120846/120876  
Sash 140x35



Example bottom

Seal thresholds laterally with silicone rubber!

1) Required in 120mm deep frame profiles!

Scale 1:2

03\_B\_01\_4\*

en May be subject to change and errors excepted!

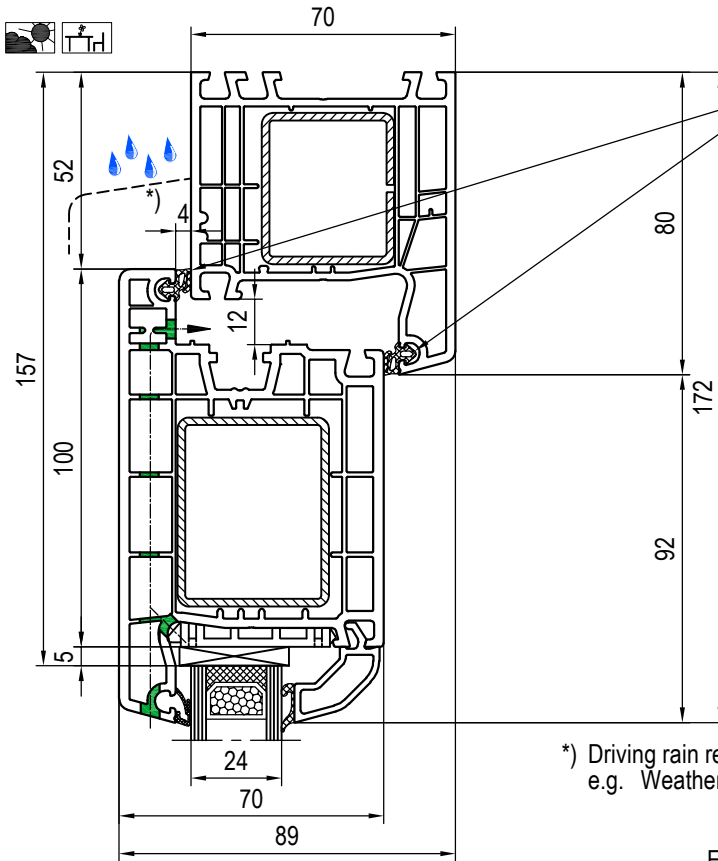
Combinations:  
Classic-line (CL)

Residential door thresholds  
Side element (bottom) coupled / continuous

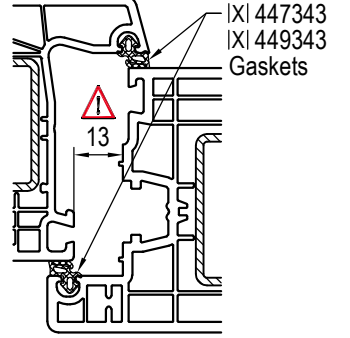
Combinations: frame - sash  
opening outwards

Glazing beads 120846/120876  
Sash 140x35  
Frame 140x03

Combinations: frame - sash  
laterally (Rebate clearance)

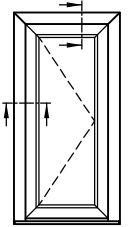


IXI 447343  
IXI 449343  
Gaskets



\*) Driving rain resistant  
e.g. Weather bar

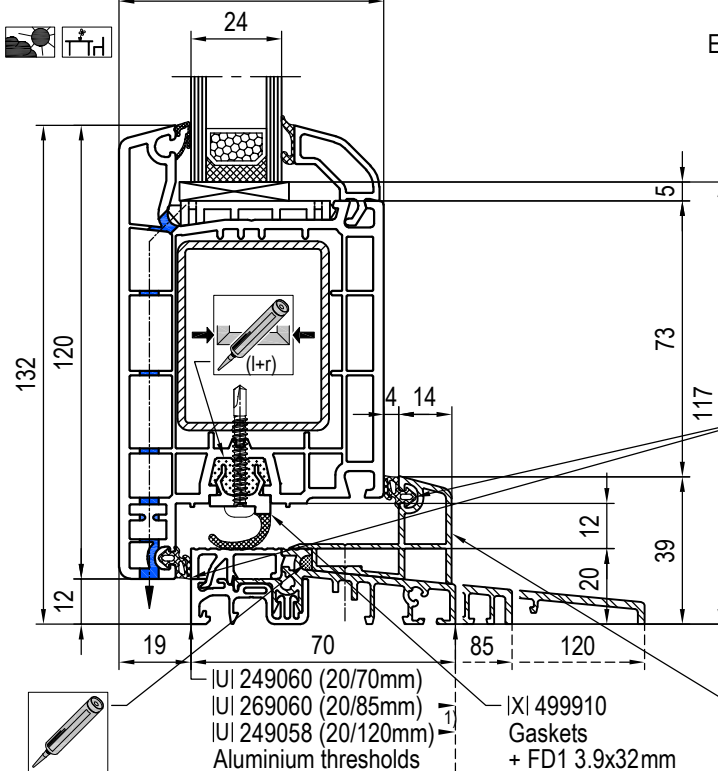
Example top



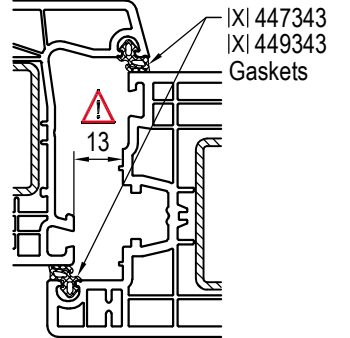
Combinations: thresholds - sash  
opening outwards

Glazing beads 120846/120876  
Sash 140x35  
Frame 140x03

Combinations: frame - sash  
laterally (Rebate clearance)



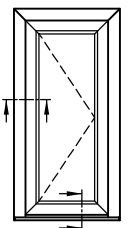
Example bottom = Standard  
IXI 499910 ~ Standard  
TI 249089 ~ Alternative



Seal thresholds laterally  
with silicone rubber!

1) Required in 120mm deep frame profiles!

Example bottom



Scale 1:2

03\_B\_01\_4\*

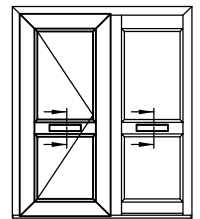
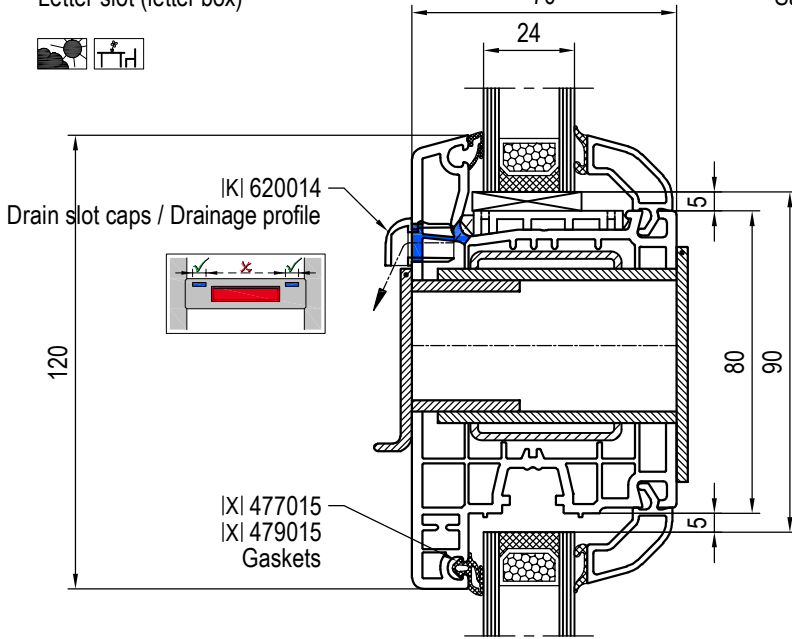
en May be subject to change  
and errors excepted!

Combinations:  
Classic-line (CL)

Residential door thresholds  
Frame/Threshold - Sash opening outwards

Combinations: mullions / transoms, glass-dividing  
Letter slot (letter box)

Glazing beads 120846/120876  
Sash 140x35 ~ Mullion



Example Cross-bar (Mullion horizontal)

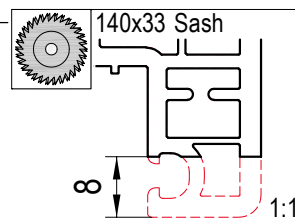
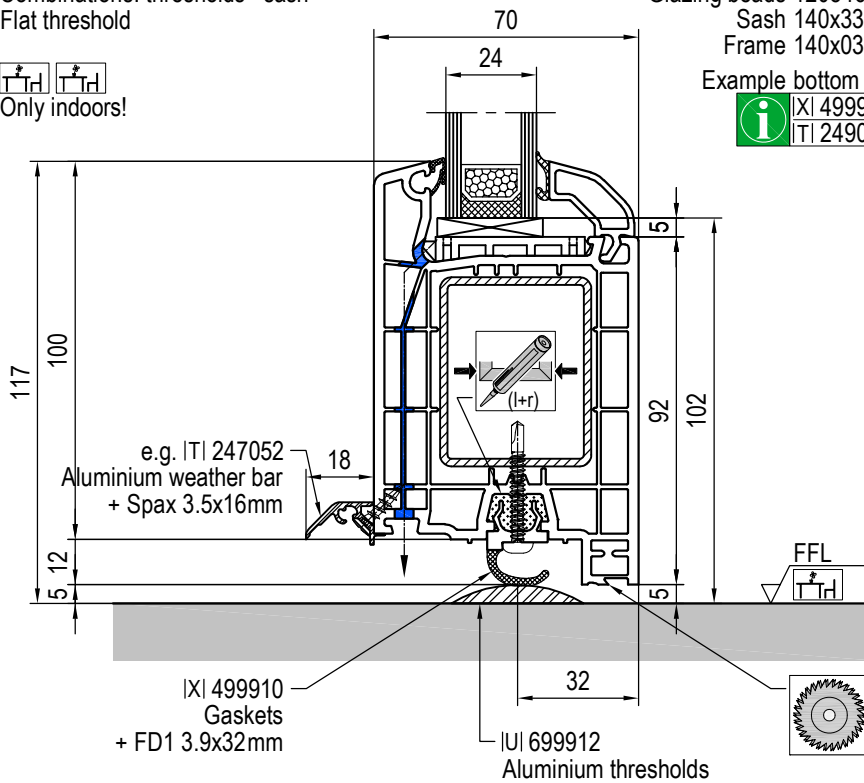
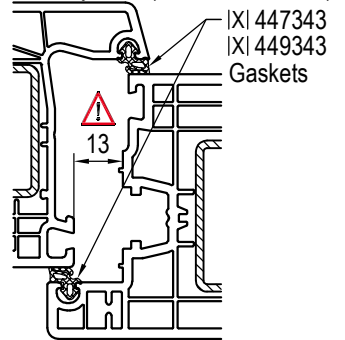
Combinations: thresholds - sash  
Flat threshold

Glazing beads 120846/120876  
Sash 140x33  
Frame 140x03

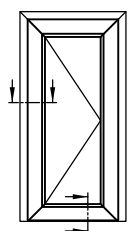
Combinations: frame - sash  
laterally (Rebate clearance)

Only indoors!

Example bottom = Standard  
 IXI 499910 ~ Standard  
 ITI 249089 ~ Alternative



Example bottom



Scale 1:2

03\_B\_01\_4\*

en May be subject to change and errors excepted!

Combinations:  
Classic-line (CL)

Residential door thresholds  
Letter box / Flat threshold - Sash




Combinations: thresholds - sash

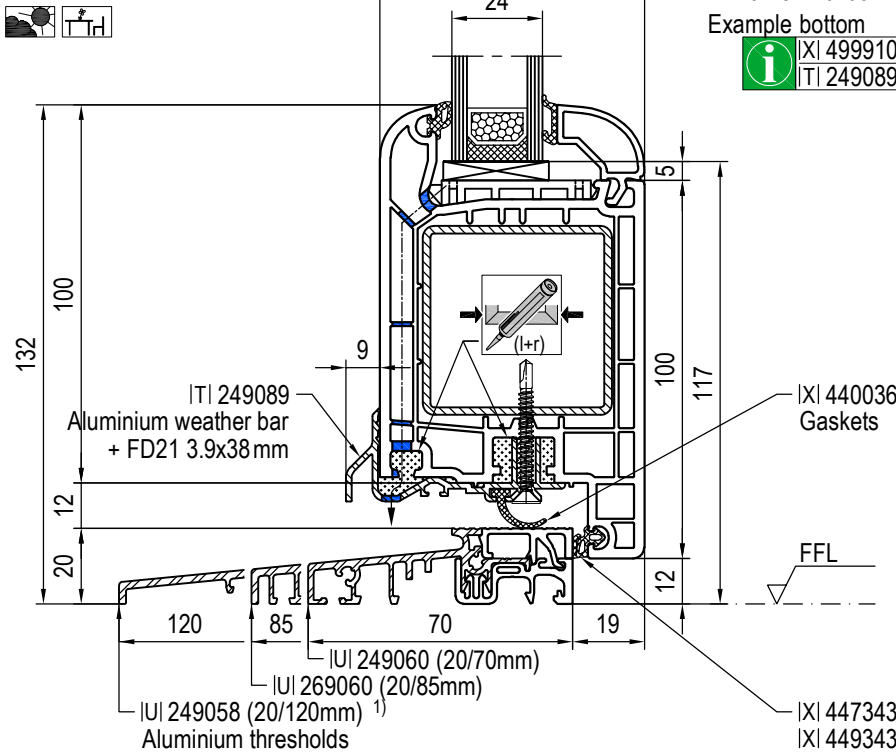
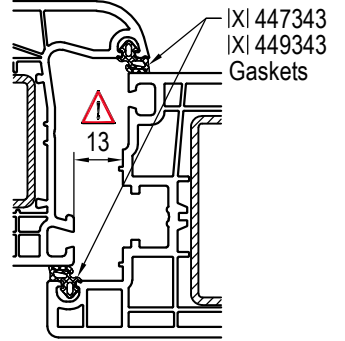
Glazing beads 120850/120880


Sash 140x38  
Frame 140x08

Example bottom = Alternative

 XI 499910 ~ Standard  
TI 249089 ~ Alternative

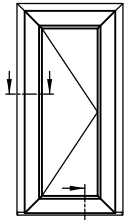
Combinations: frame - sash laterally (Rebate clearance)



 Seal thresholds laterally with silicone rubber!

1) Required in 120mm deep frame profiles!

Example bottom




Combinations: thresholds - sash

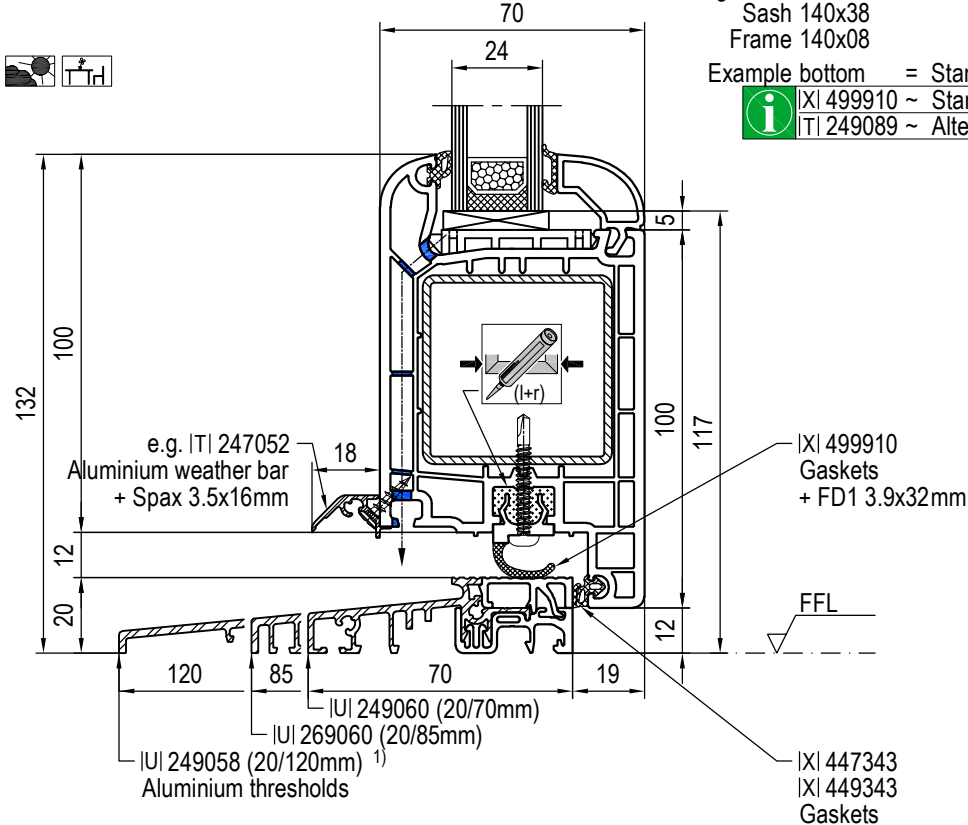
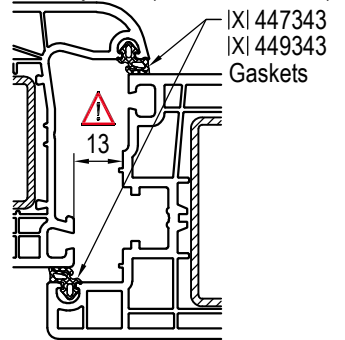
Glazing beads 120850/120880

Sash 140x38  
Frame 140x08

Example bottom = Standard

 XI 499910 ~ Standard  
TI 249089 ~ Alternative

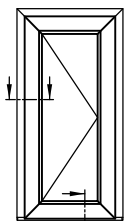
Combinations: frame - sash laterally (Rebate clearance)



 Seal thresholds laterally with silicone rubber!

1) Required in 120mm deep frame profiles!

Example bottom



Scale 1:2

03\_B\_01\_4\*

en May be subject to change and errors excepted!

Combinations:  
**Round-line (RL)**

Residential door thresholds  
**Threshold - Sash**



Combinations: thresholds - sash doubled

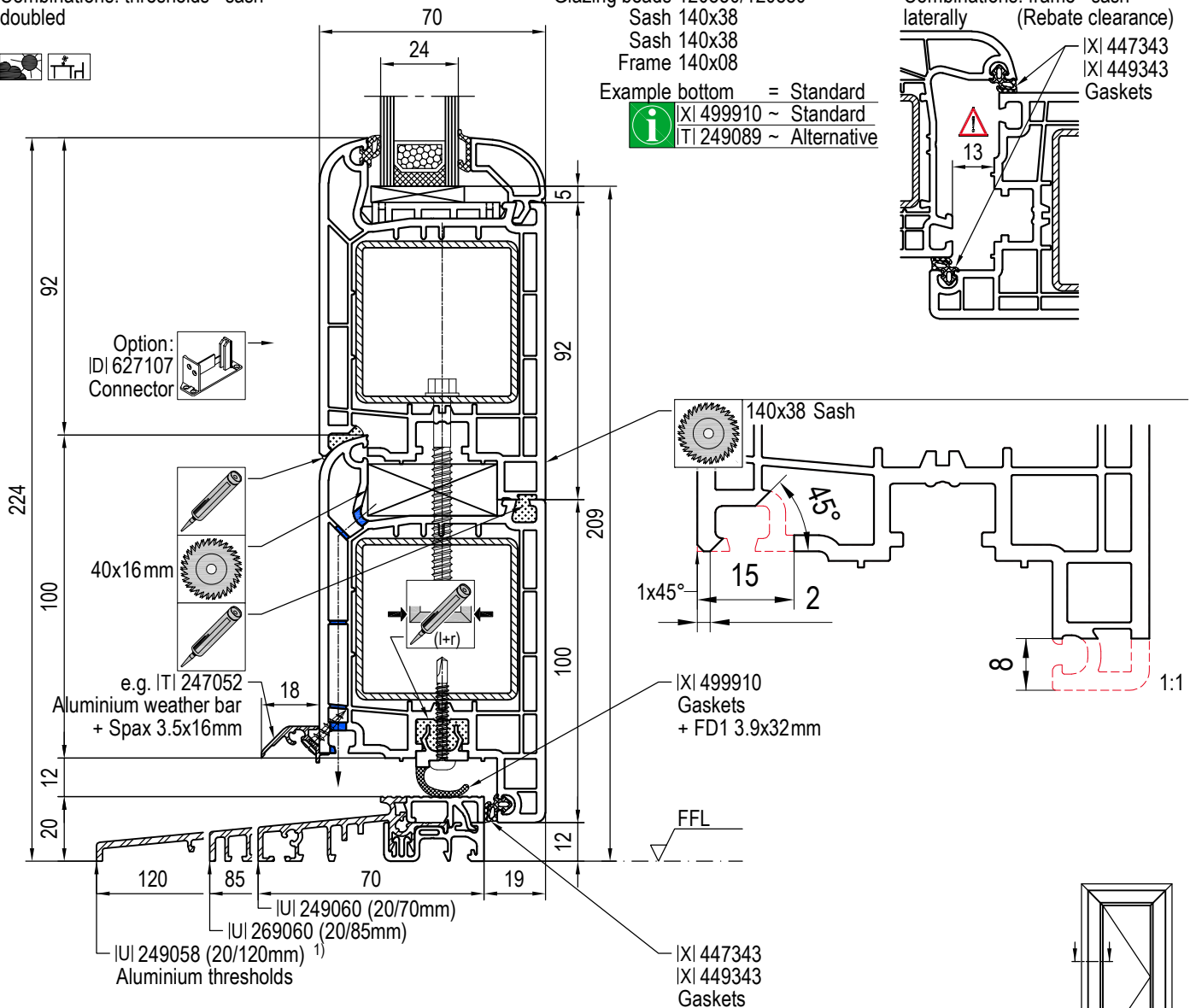
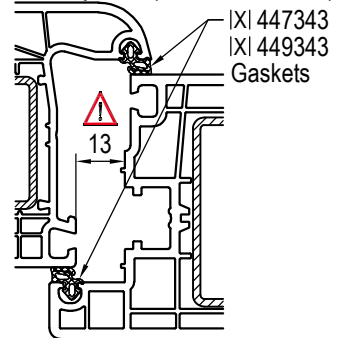


Glazing beads 120850/120880

Sash 140x38  
Sash 140x38  
Frame 140x08

Example bottom = Standard  
 XI 499910 ~ Standard  
 ITI 249089 ~ Alternative

Combinations: frame - sash laterally (Rebate clearance)



Seal thresholds laterally with silicone rubber!

1) Required in 120mm deep frame profiles!

Example bottom

Scale 1:2

03\_B\_01\_4\*

en May be subject to change and errors excepted!

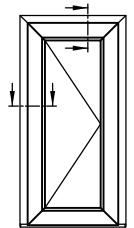
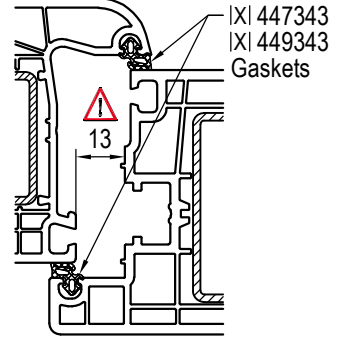
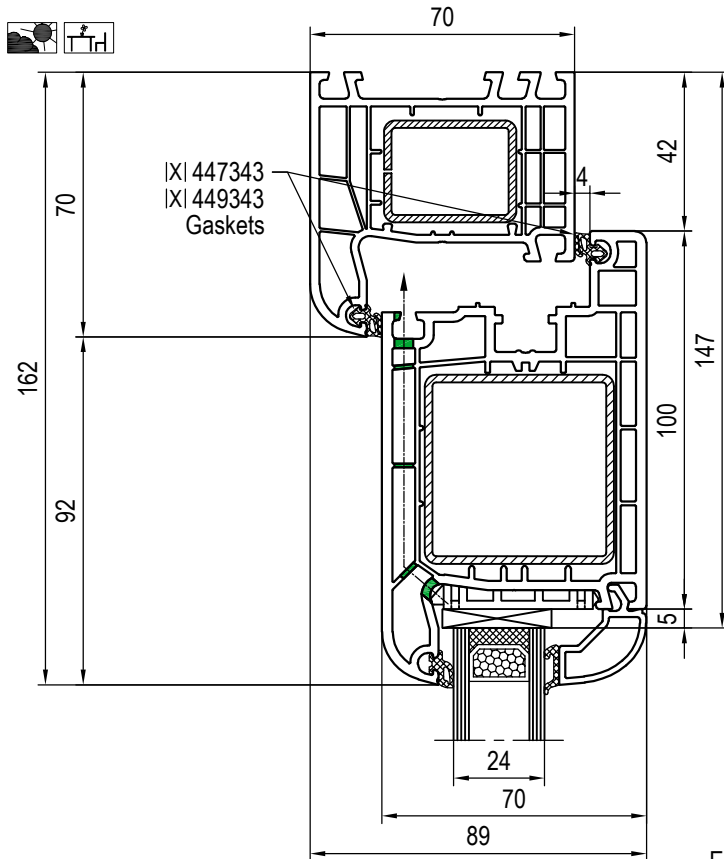
Combinations:  
Round-line (RL)

Residential door thresholds  
Threshold - Sash doubled

Combinations: frame - sash

Glazing beads 120850/120880  
Sash 140x38  
Frame 140x08

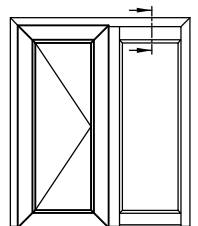
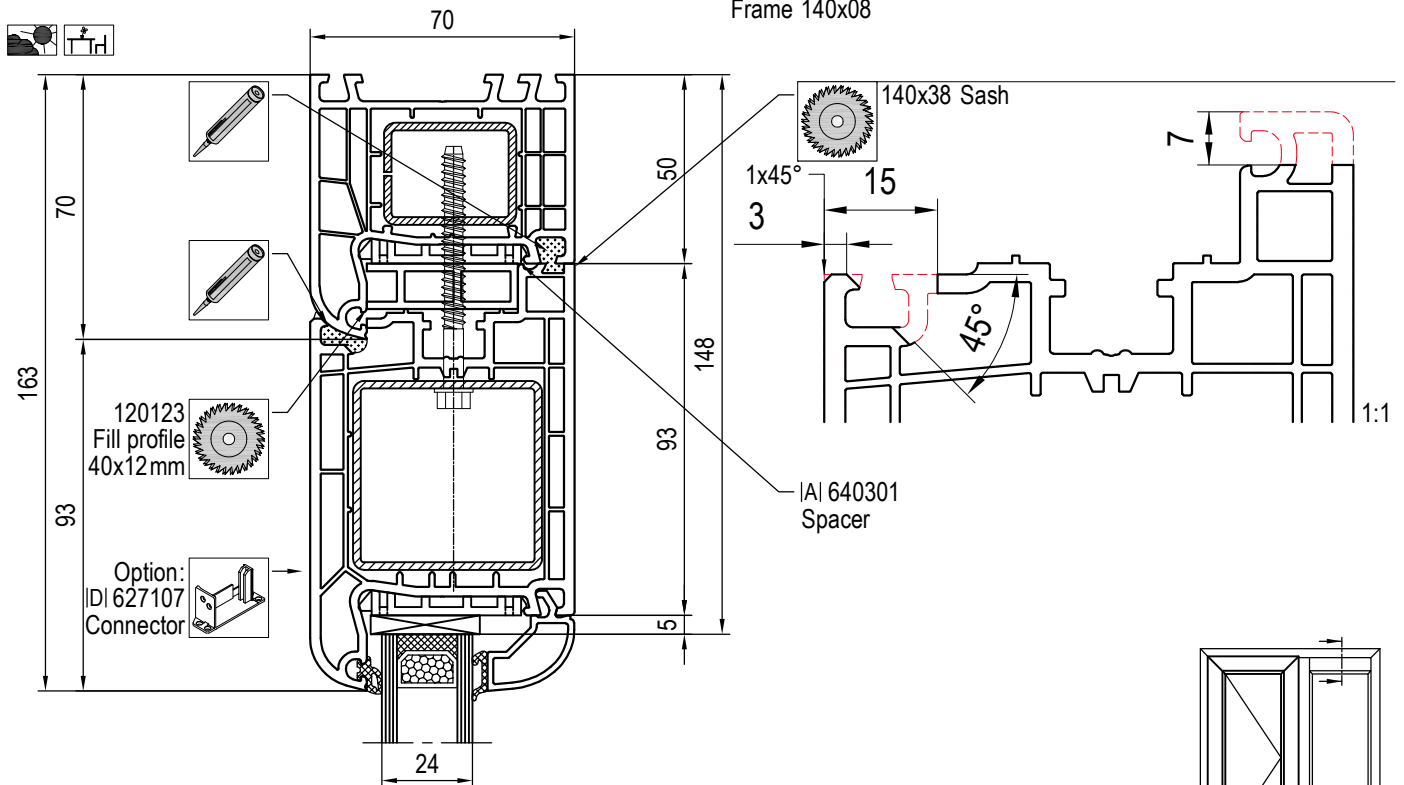
Combinations: frame - sash  
laterally (Rebate clearance)



Example top

Combinations: frame - sash  
Side element

Glazing beads 120850/120880  
Sash 140x38  
Frame 140x08



Example top

Coloured profiles require special measures!

Scale 1:2

03\_B\_01\_4\*

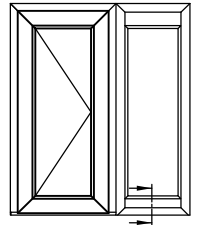
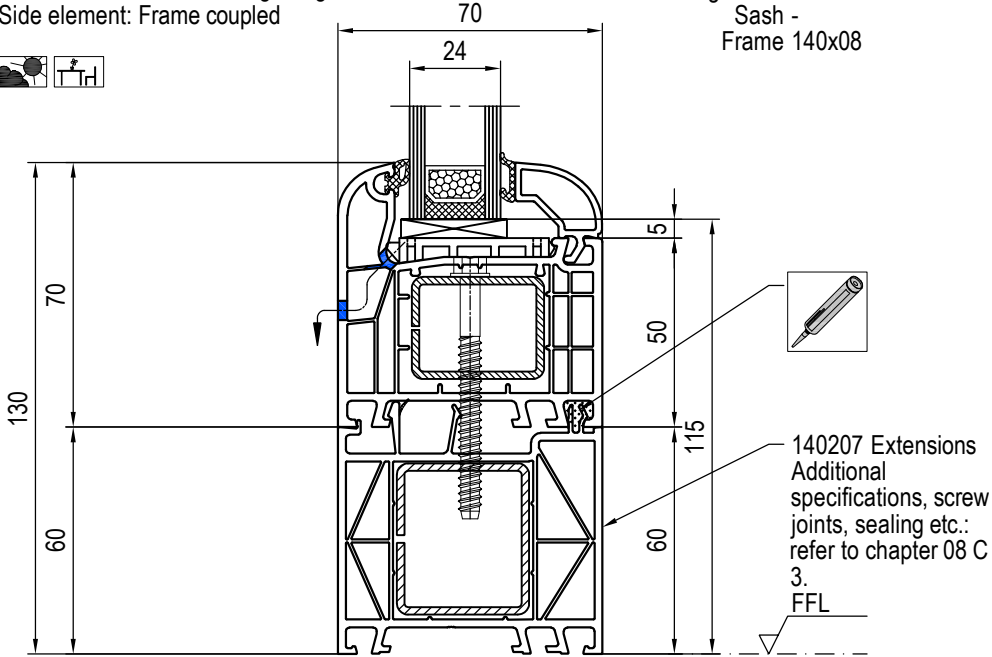
en May be subject to change and errors excepted!

Combinations:  
Round-line (RL)

Residential door thresholds  
Frame - Sash / Side element (top)

Combinations: sash - fixed glazing  
Side element: Frame coupled

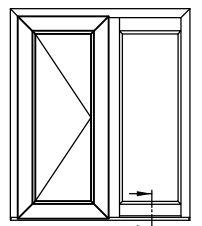
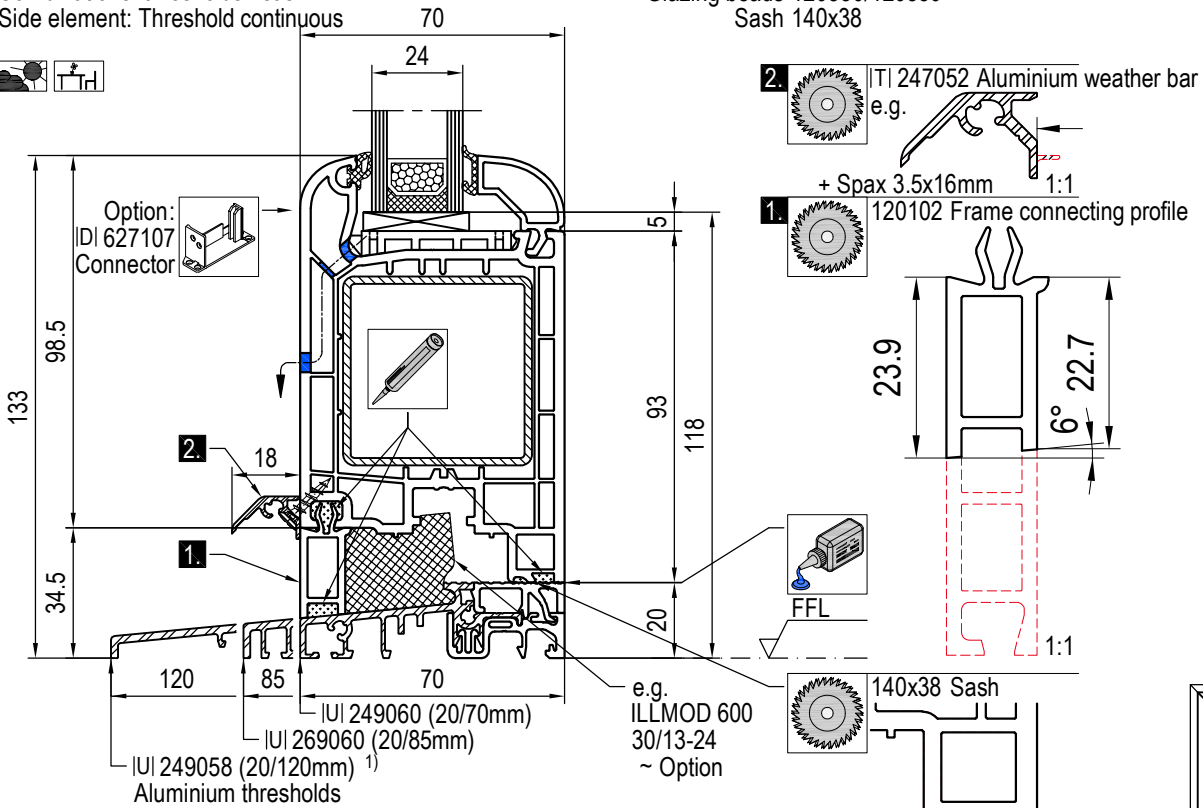
Glazing beads 120850/120880  
Sash -  
Frame 140x08



Example bottom

Combinations: thresholds - sash  
Side element: Threshold continuous

Glazing beads 120850/120880  
Sash 140x38



Example bottom

Seal thresholds laterally with silicone rubber!

1) Required in 120mm deep frame profiles!

Scale 1:2

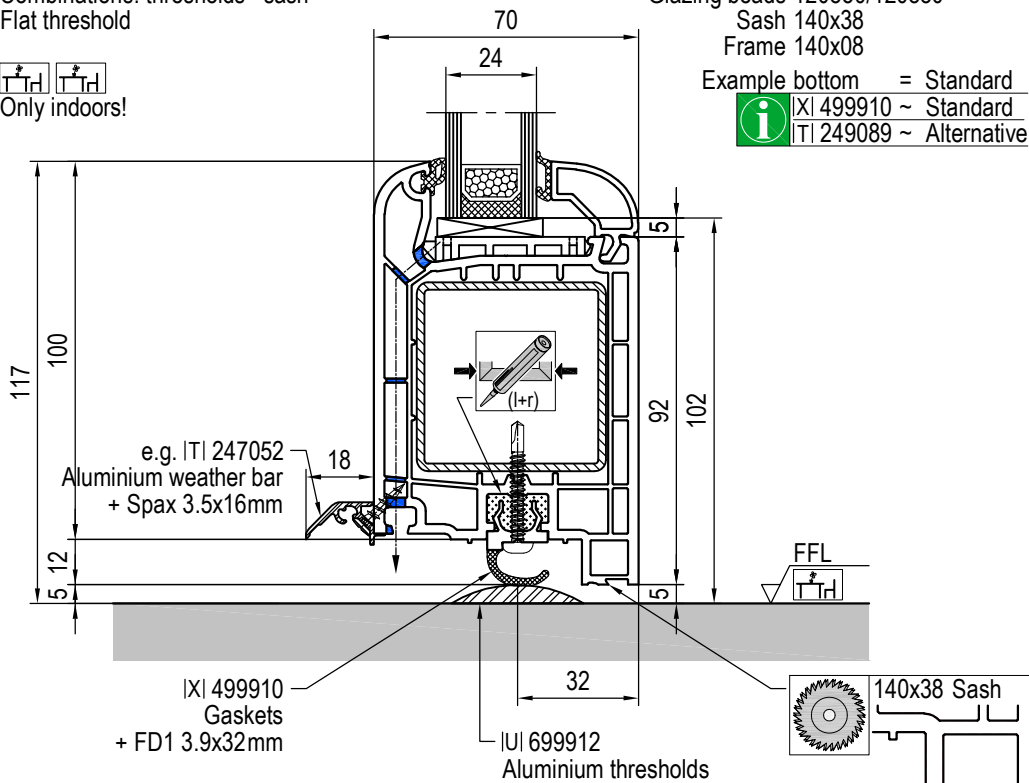
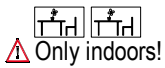
03\_B\_01\_4\*

en May be subject to change and errors excepted!

Combinations:  
Round-line (RL)

Residential door thresholds  
Side element (bottom) coupled / continuous

Combinations: thresholds - sash  
Flat threshold



Glazing beads 120850/120880

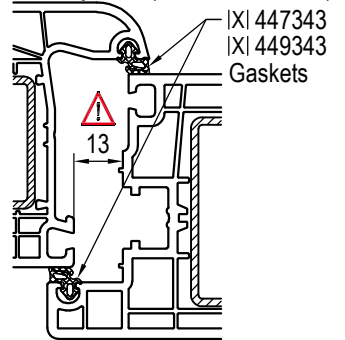
Sash 140x38

Frame 140x08

Example bottom = Standard

IXI 499910 ~ Standard  
ITI 249089 ~ Alternative

Combinations: frame - sash  
laterally (Rebate clearance)



Scale 1:2

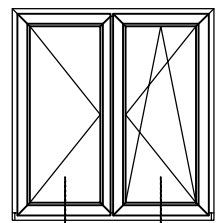
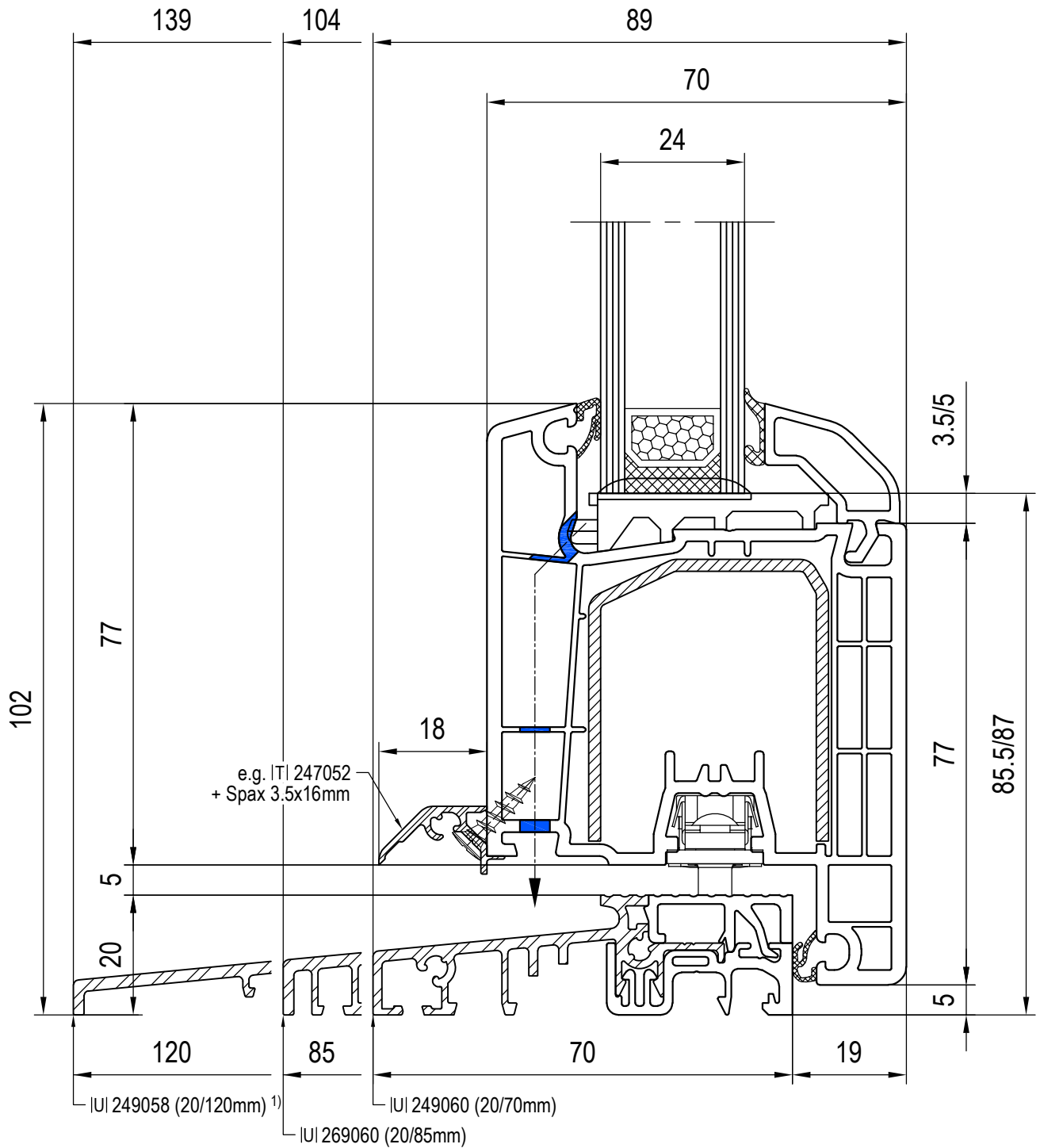
03\_B\_01\_4\*

en May be subject to change  
and errors excepted!

Combinations:  
Round-line (RL)

Residential door thresholds

Flat threshold - Sash



 Seal thresholds laterally with silicone rubber!

1) Required in 120mm deep frame profiles!

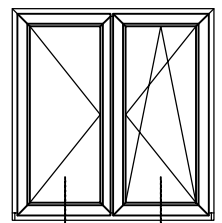
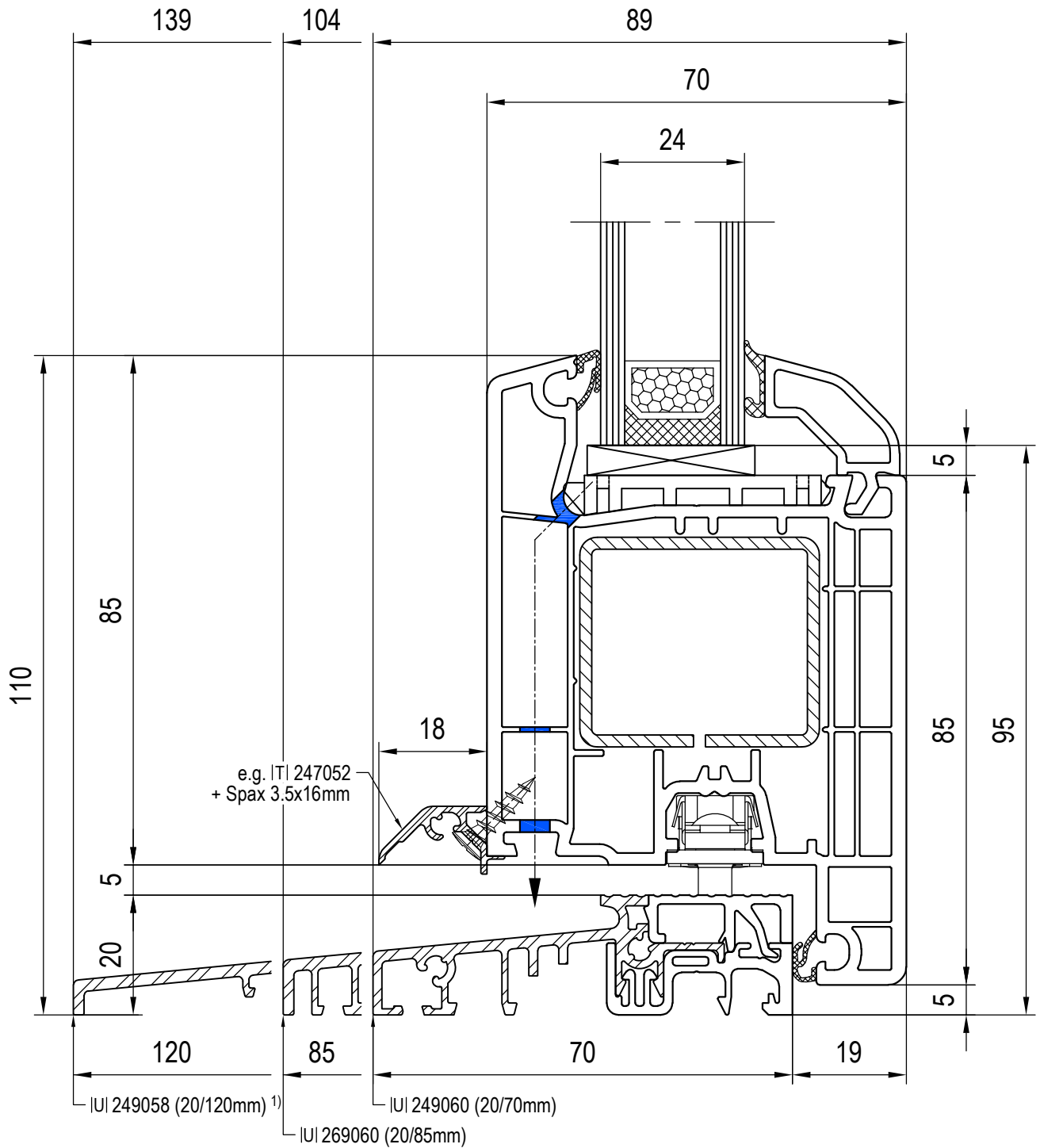
Scale 1:1

03\_C\_01\_4\*

en May be subject to change and errors excepted!

Combinations: tilt-and-turn door threshold  
**120846/120876 Glazing bead**

249058, 249060, 269060  
**Sash 140x28**



 Seal thresholds laterally with silicone rubber!

1) Required in 120mm deep frame profiles!

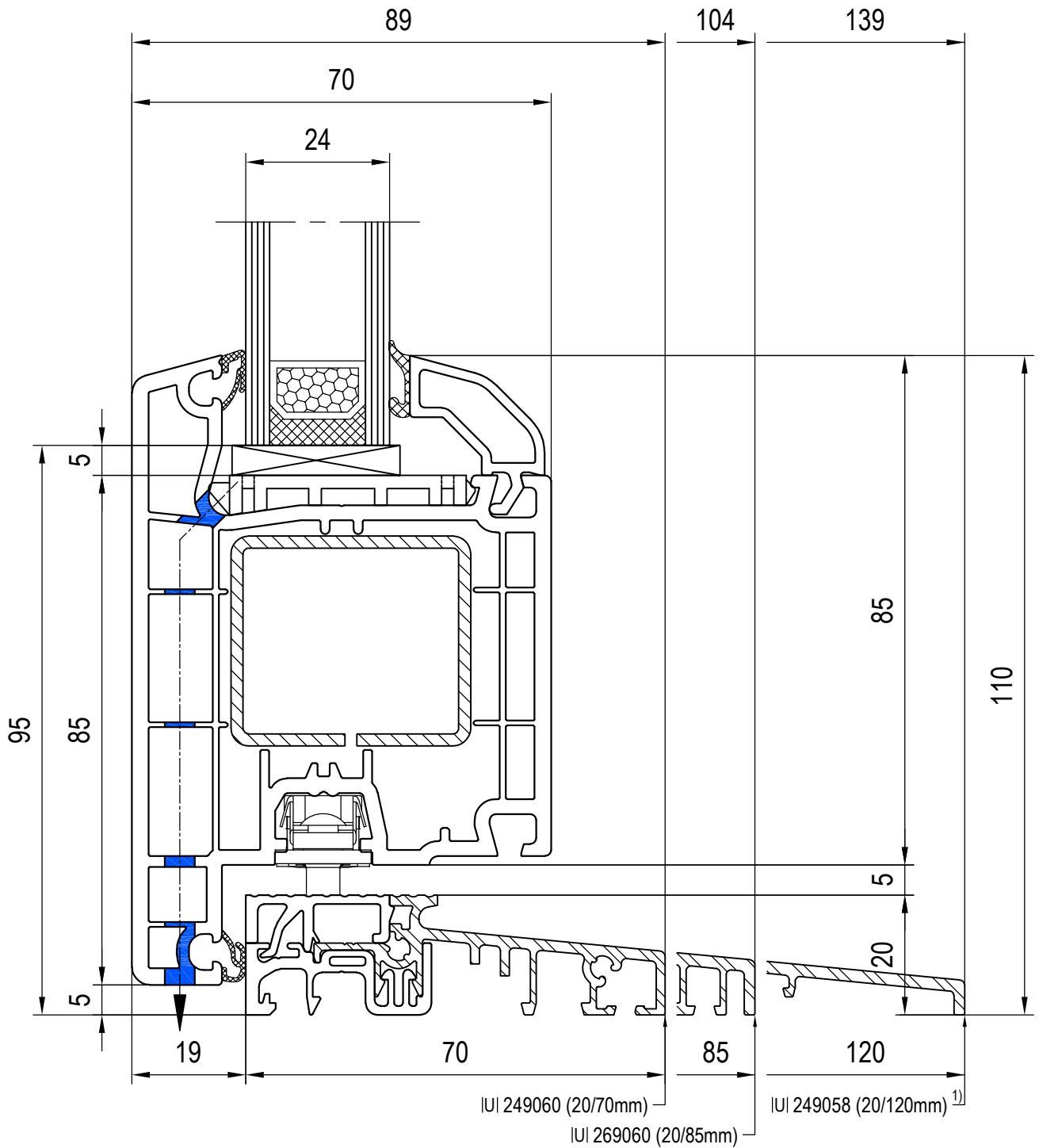
Scale 1:1


03\_C\_01\_4\*

en May be subject to change and errors excepted!

Combinations: tilt-and-turn door threshold  
**120846/120876 Glazing bead**

249058, 249060, 269060  
**Sash 140x30**



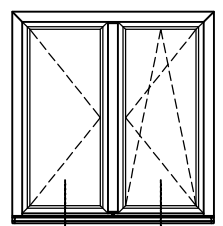
 Seal thresholds laterally with silicone rubber!

1) Required in 120mm deep frame profiles!

Scale 1:1

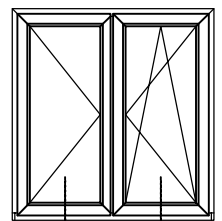
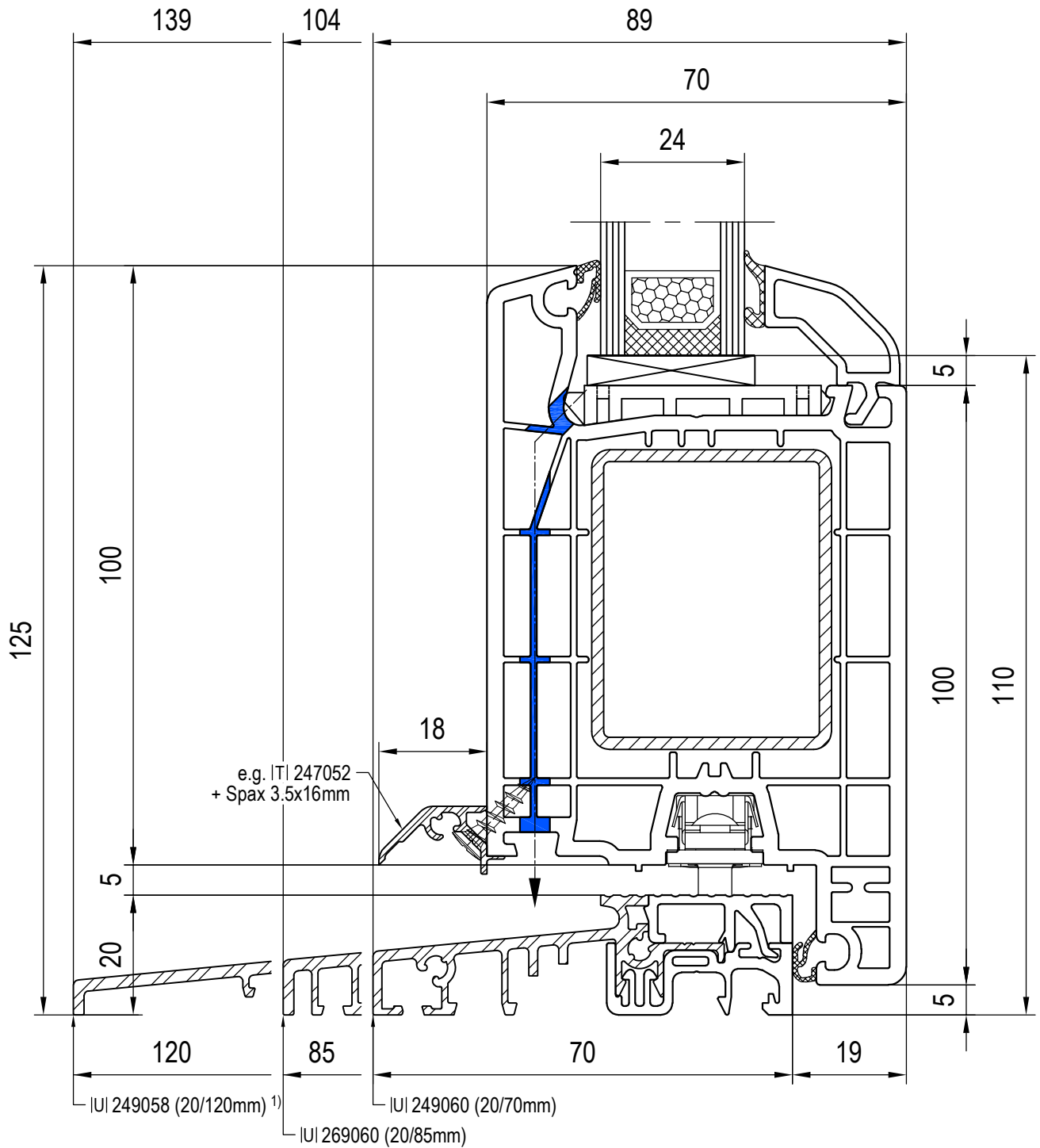
03\_C\_01\_4\*

en May be subject to change and errors excepted!



Combinations: tilt-and-turn door threshold  
120846/120876 Glazing bead

249058, 249060, 269060  
Sash 140x31



 Seal thresholds laterally with silicone rubber!

1) Required in 120mm deep frame profiles!

Scale 1:1

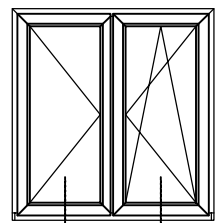
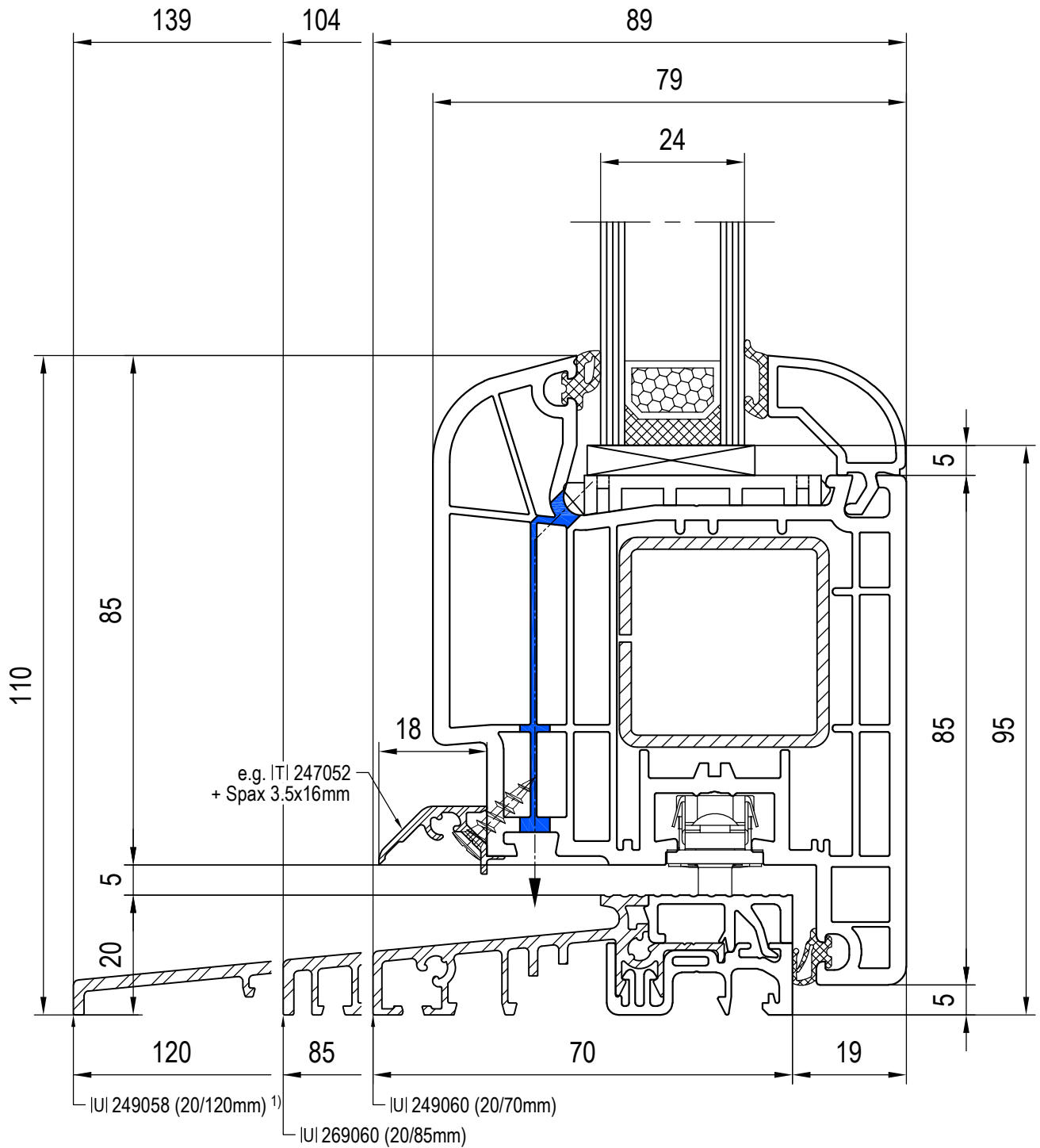
03\_C\_01\_4\*

en May be subject to change and errors excepted!

Combinations: tilt-and-turn door threshold  
**120846/120876 Glazing bead**

249058, 249060, 269060  
**Sash 140x33**





 Seal thresholds laterally with silicone rubber!

1) Required in 120mm deep frame profiles!

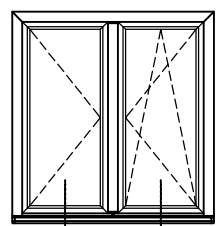
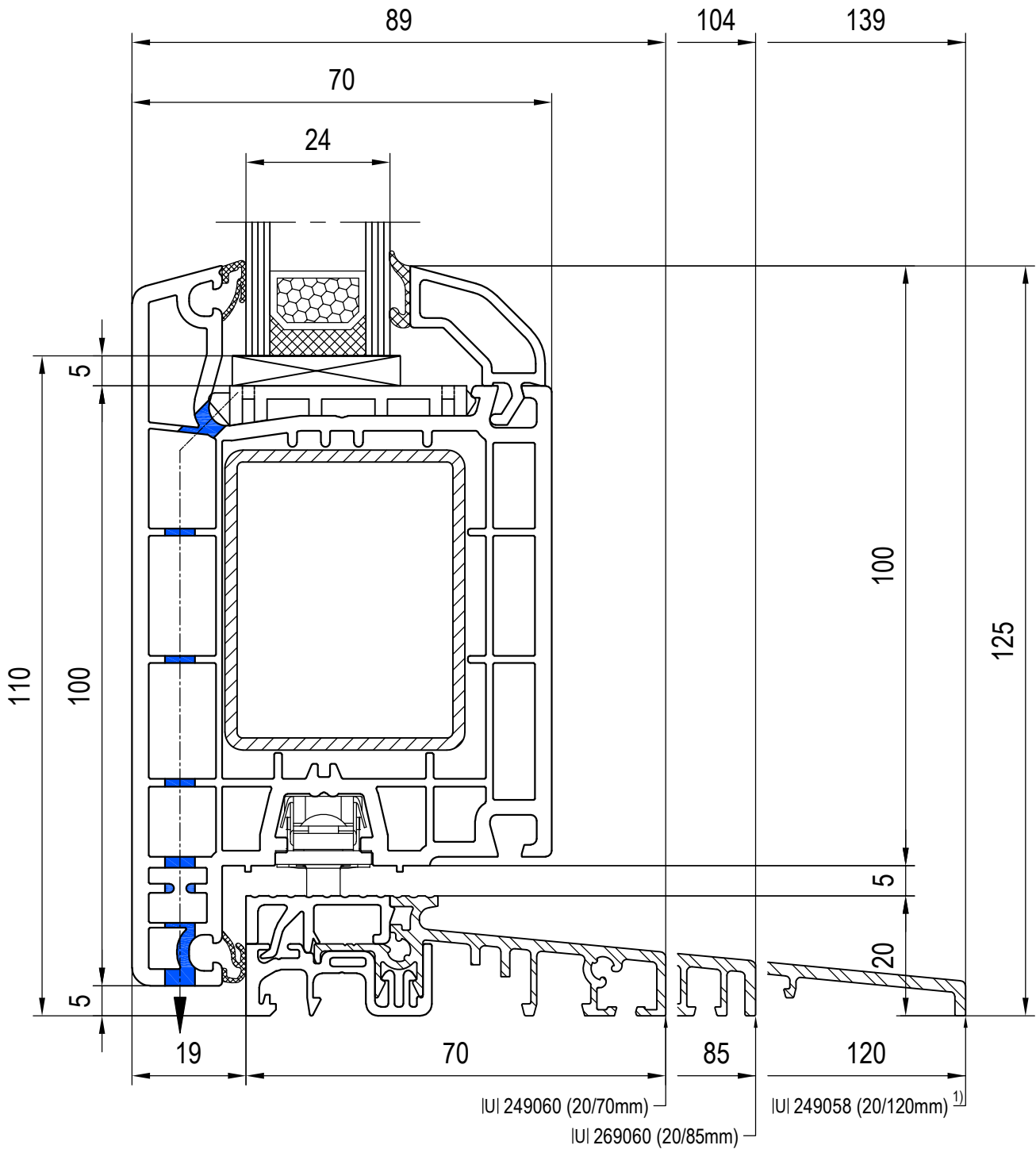
Scale 1:1


03\_C\_01\_4\*

en May be subject to change and errors excepted!

Combinations: tilt-and-turn door threshold  
**120850/120880 Glazing bead**

249058, 249060, 269060  
**Sash 140x34**



 Seal thresholds laterally with silicone rubber!

1) Required in 120mm deep frame profiles!

Scale 1:1

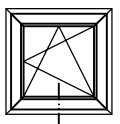
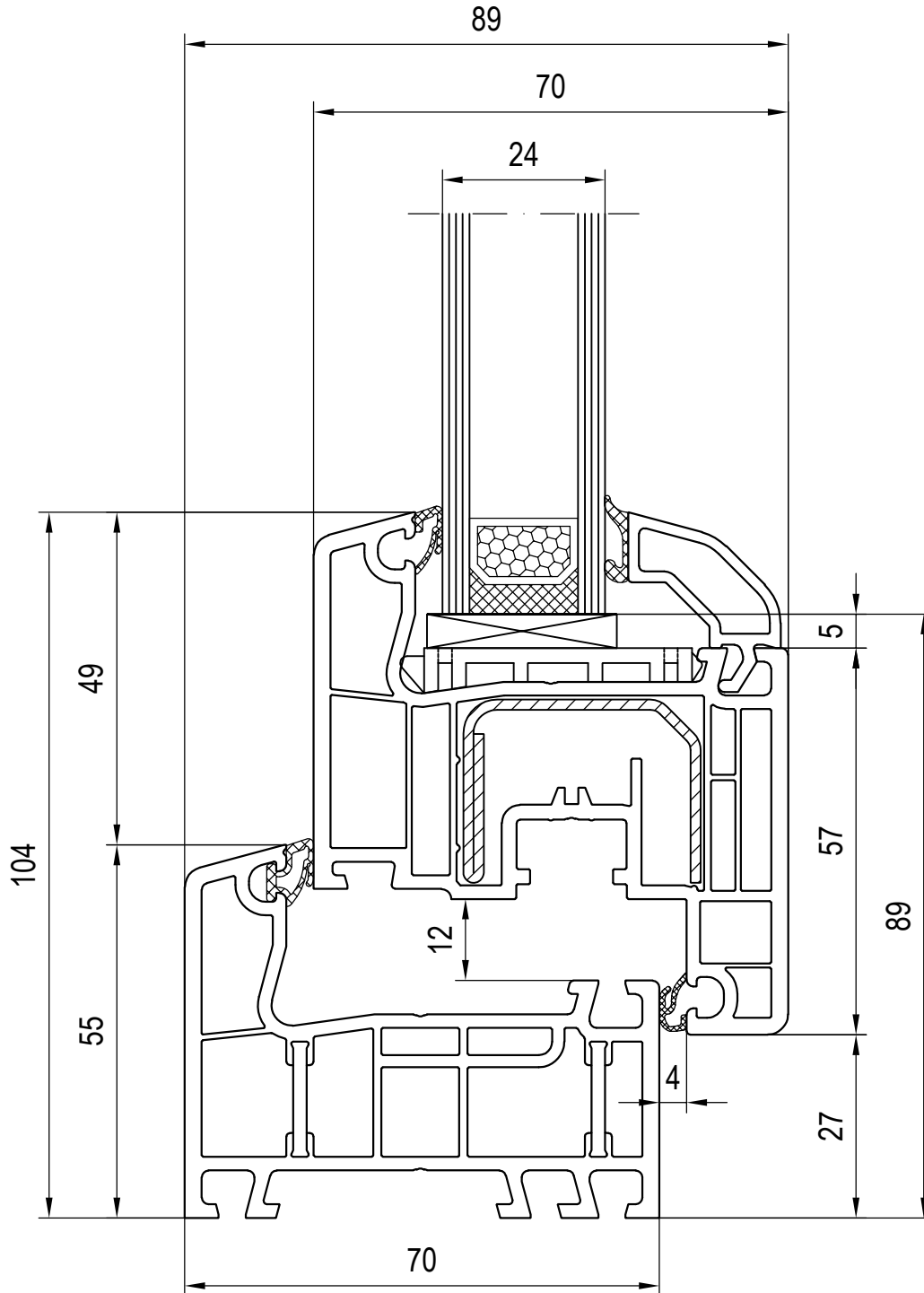
03\_C\_01\_4\*

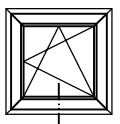
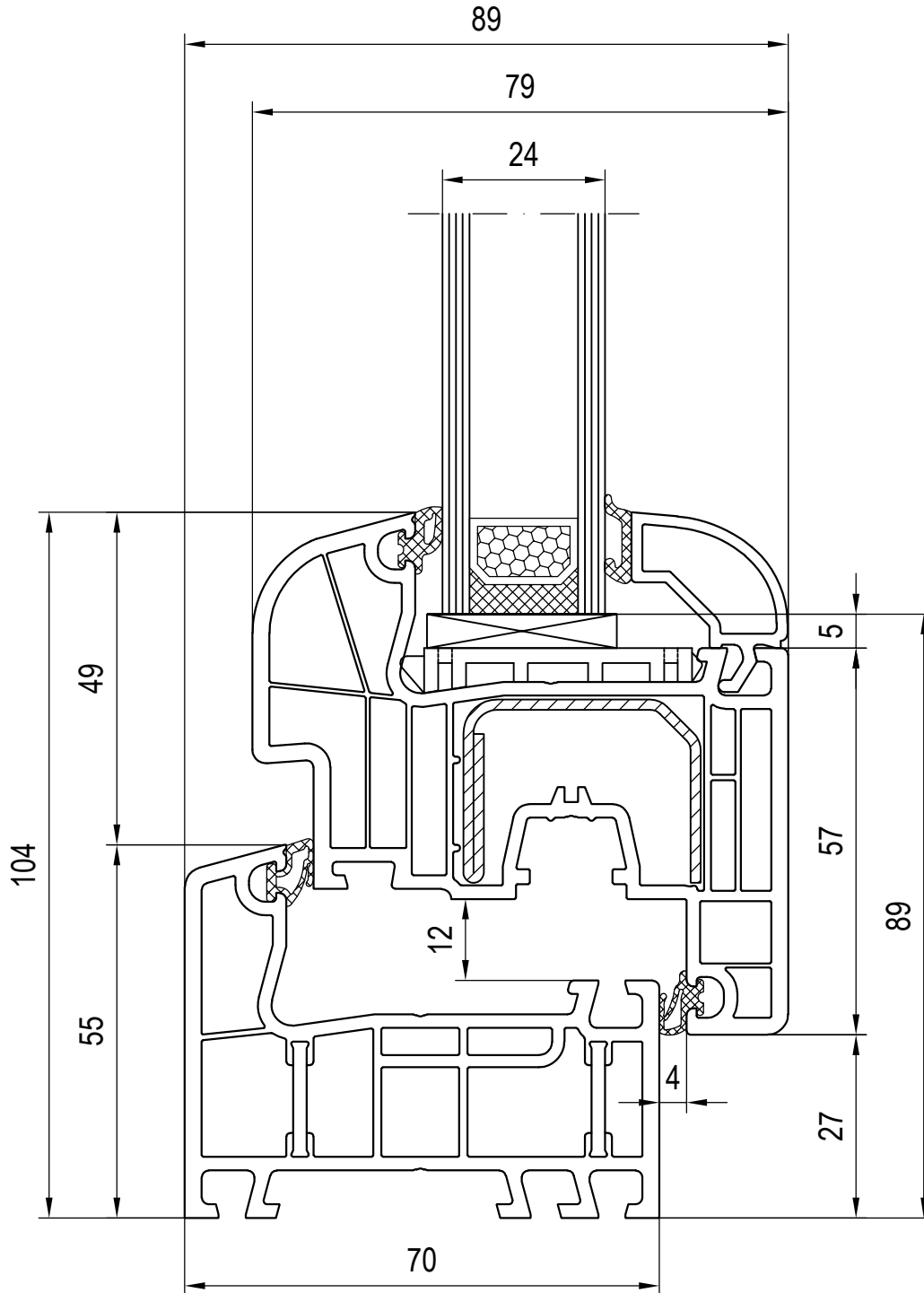
en May be subject to change and errors excepted!

Combinations: tilt-and-turn door threshold  
**120846/120876 Glazing bead**

249058, 249060, 269060  
**Sash 140x35**







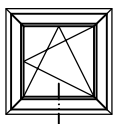
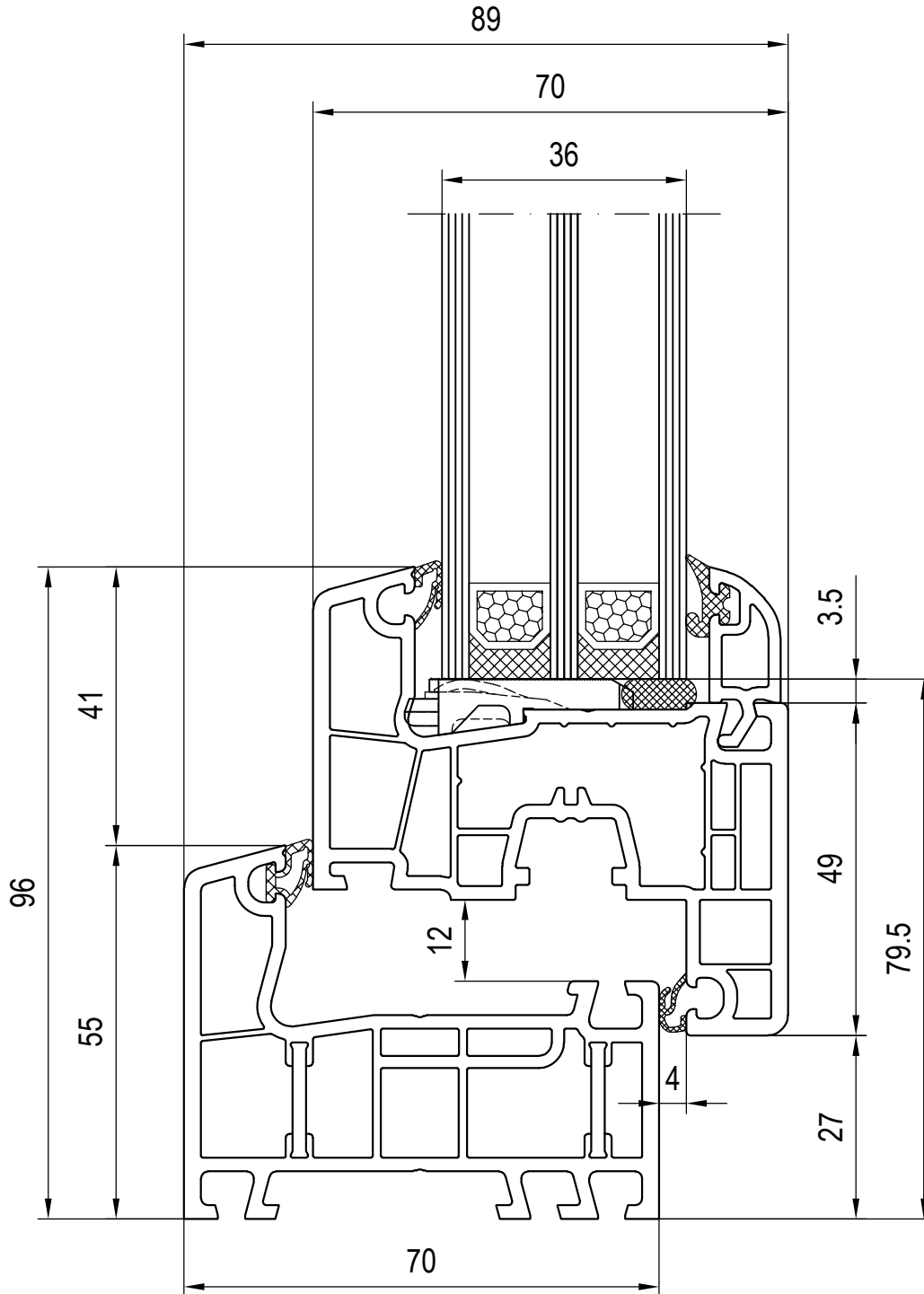
Scale 1:1

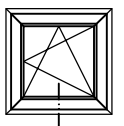
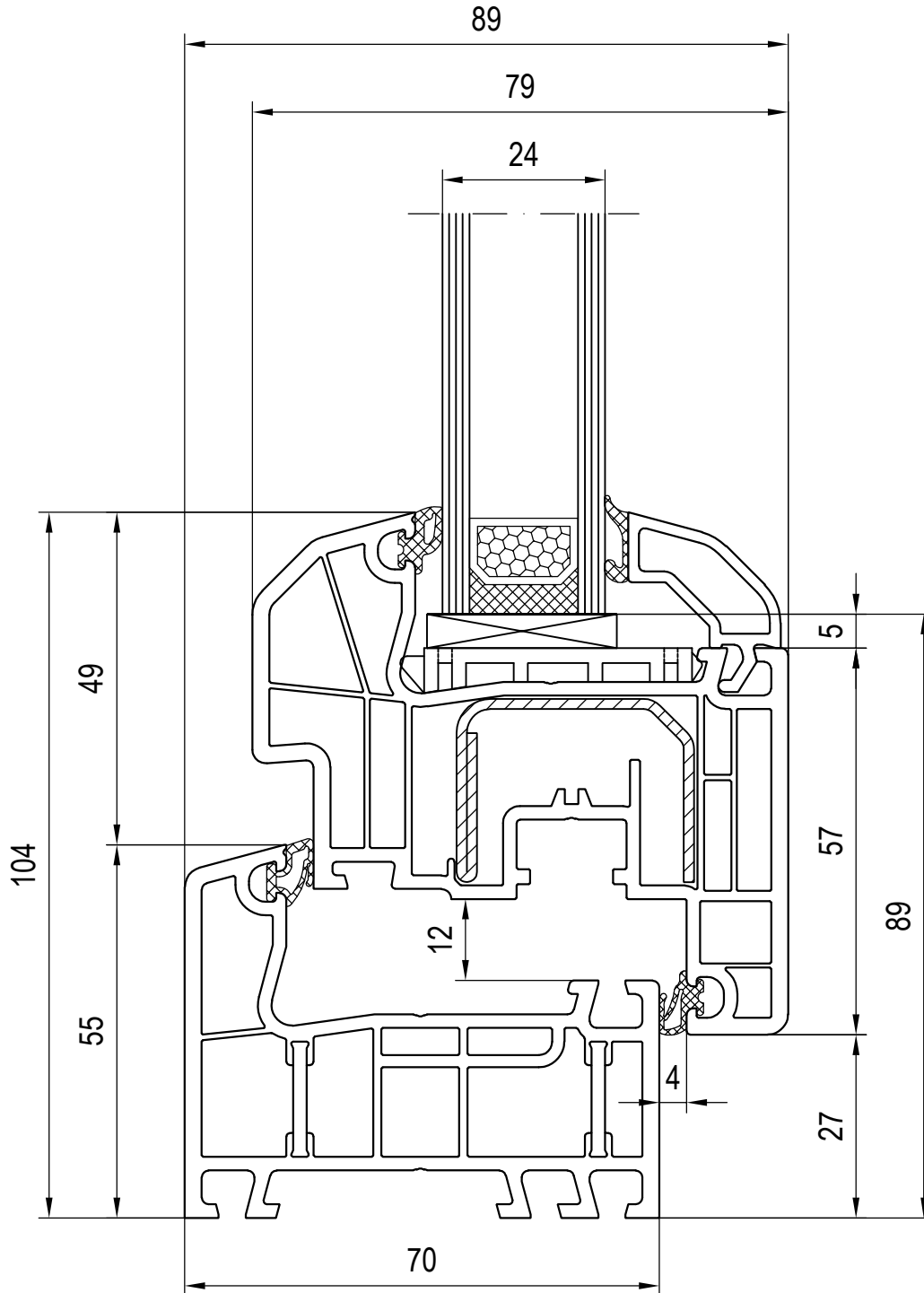
03\_D\_01\_4\*

en May be subject to change and errors excepted!

Combinations: frame - sash  
120850/120880 Glazing bead

Frame 040x02  
Sash 140x22





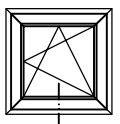
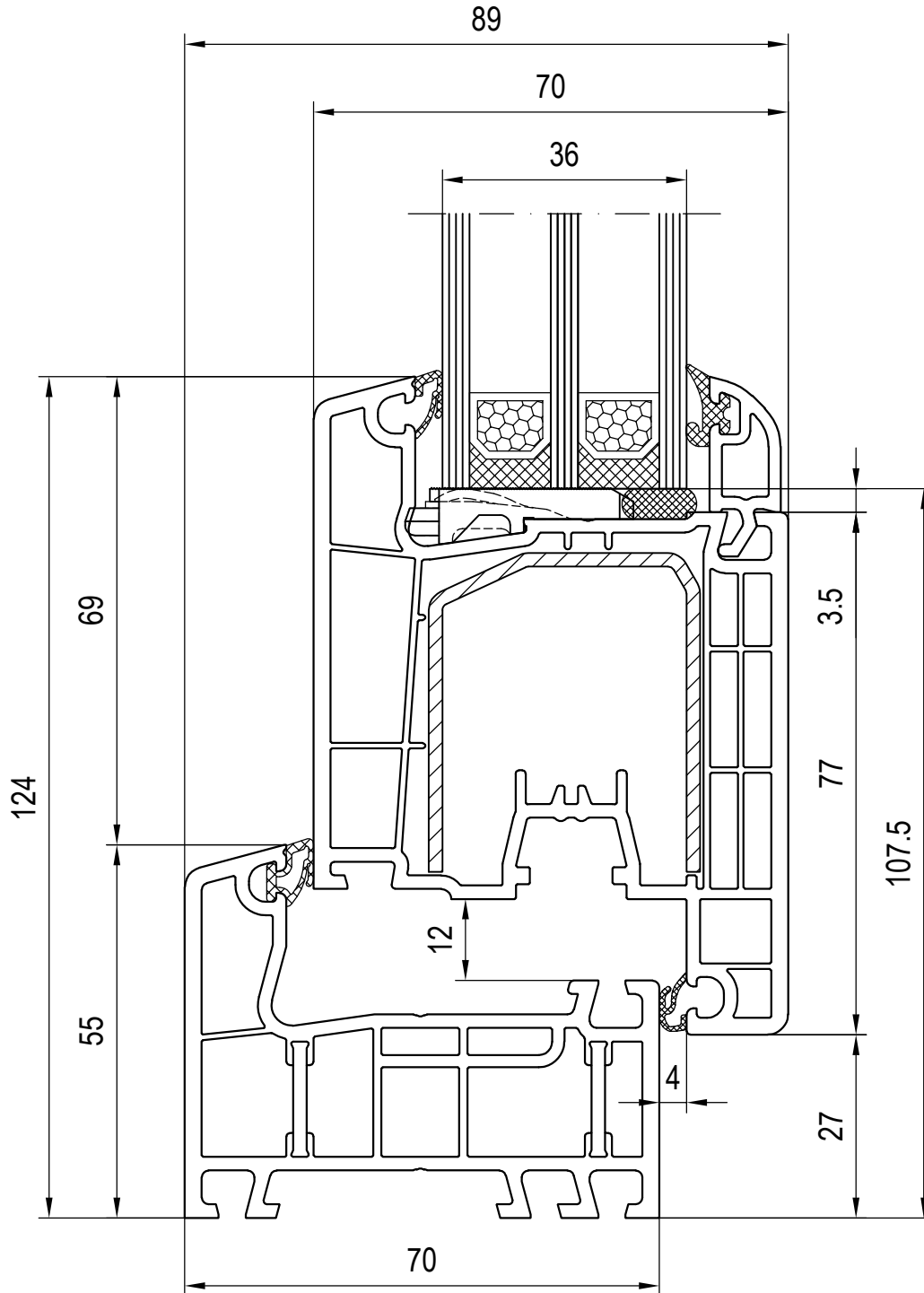
Scale 1:1

03\_D\_01\_4\*

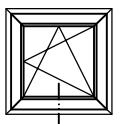
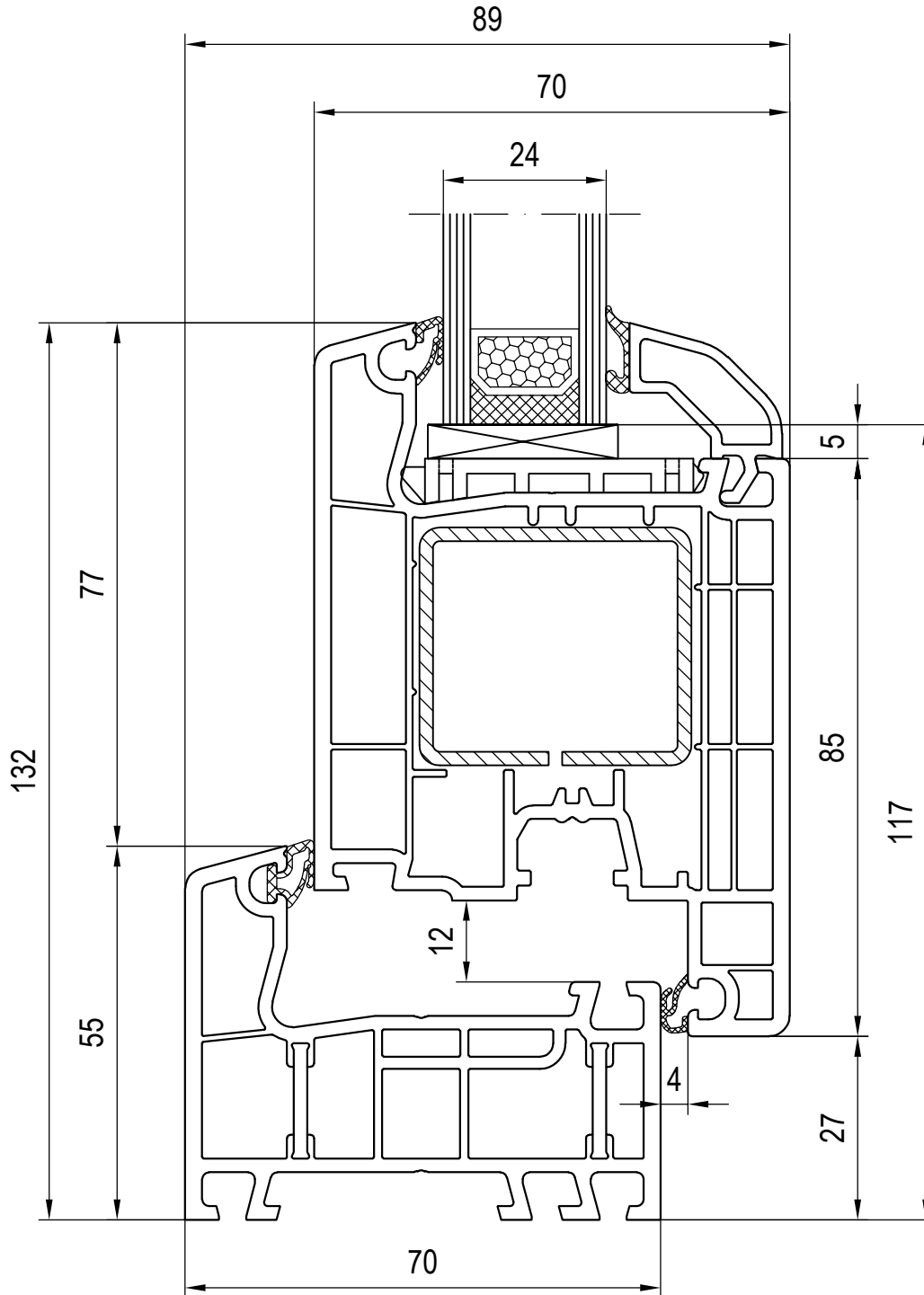
en May be subject to change and errors excepted!

Combinations: frame - sash  
120846/120876 Glazing bead

Frame 040x02  
Sash 140x26







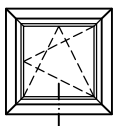
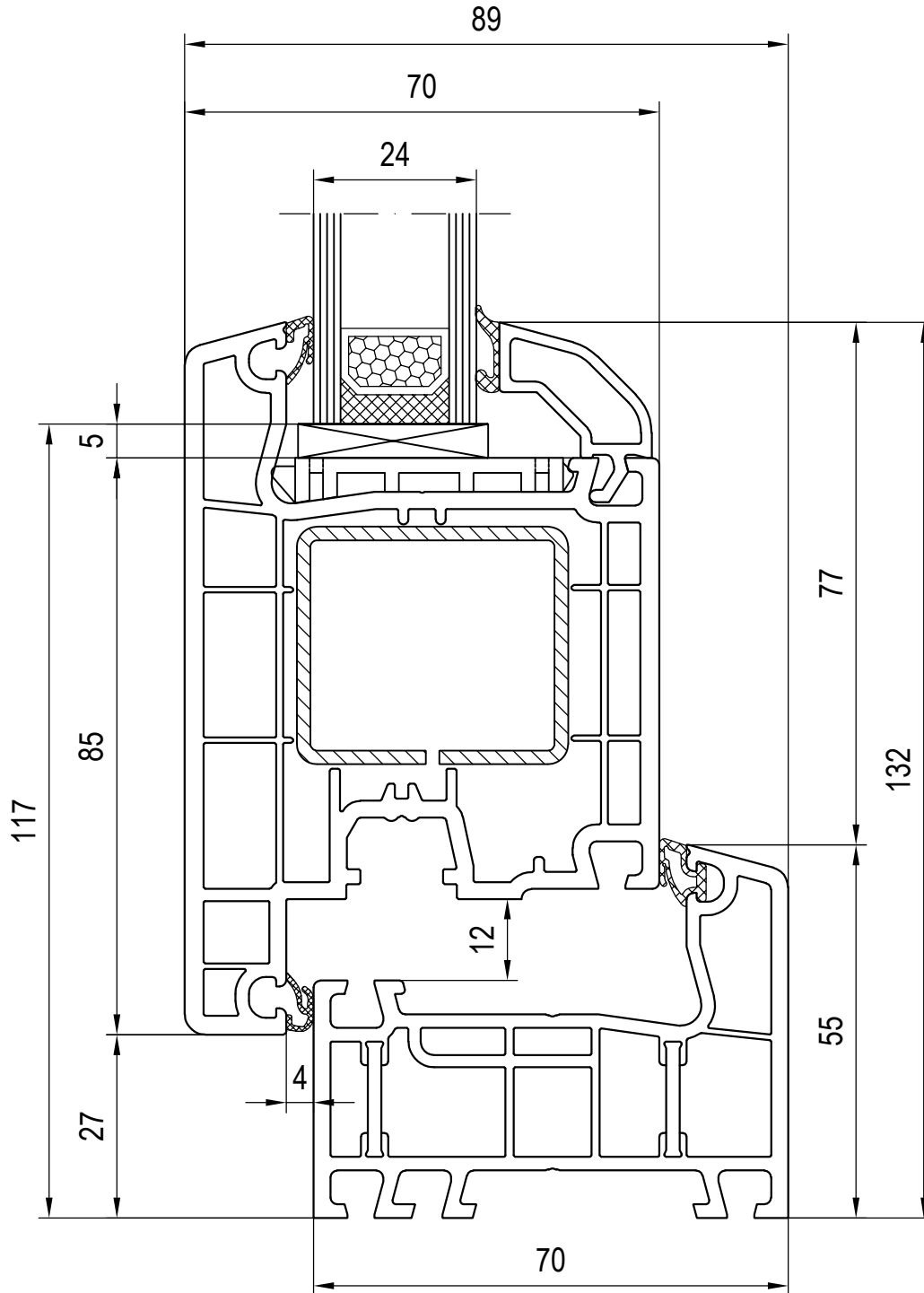
Scale 1:1

03\_D\_01\_4\*

en May be subject to change and errors excepted!

Combinations: frame - sash  
120846/120876 Glazing bead

Frame 040x02  
Sash 140x30



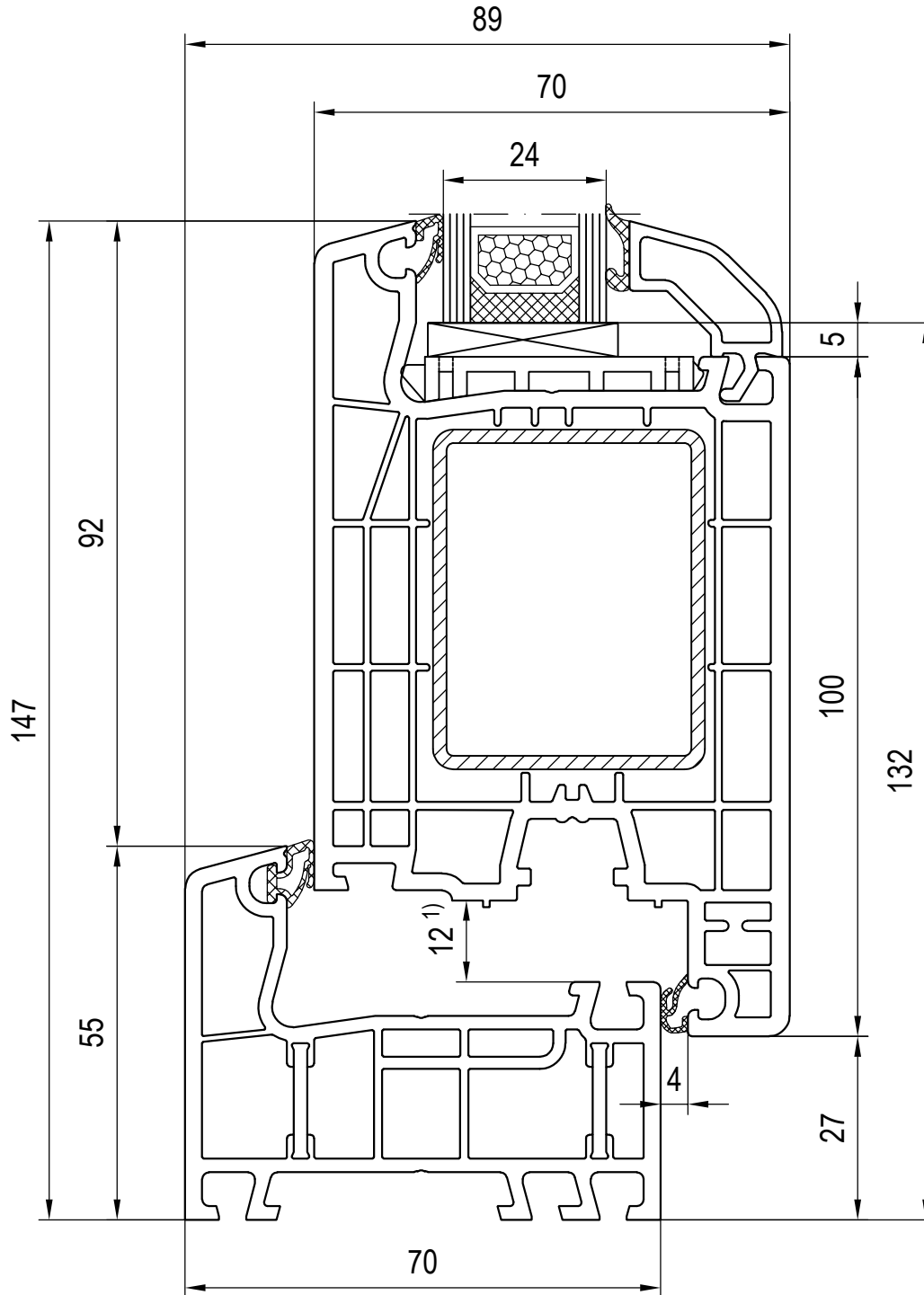
Scale 1:1

03\_D\_01\_4\*

en May be subject to change and errors excepted!

Combinations: frame - sash  
120846/120876 Glazing bead

Frame 040x02  
Sash 140x31



1) Rebate clearance of main entrance door on left and right side = 13 mm

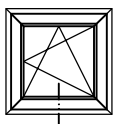
Scale 1:1

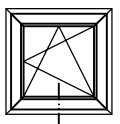
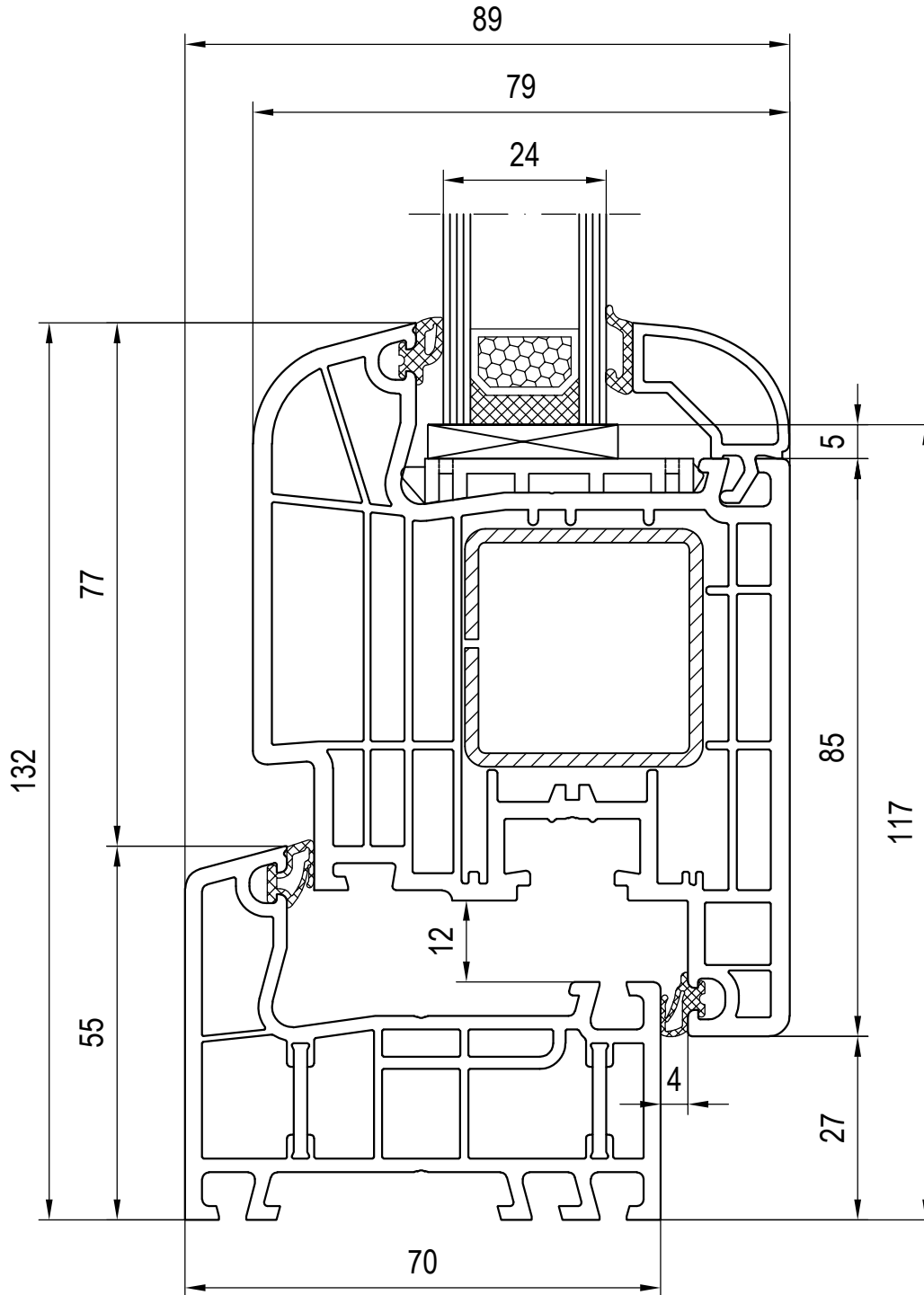
03\_D\_01\_4\*

en May be subject to change and errors excepted!

Combinations: frame - sash  
120846/120876 Glazing bead

Frame 040x02  
Sash 140x33





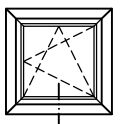
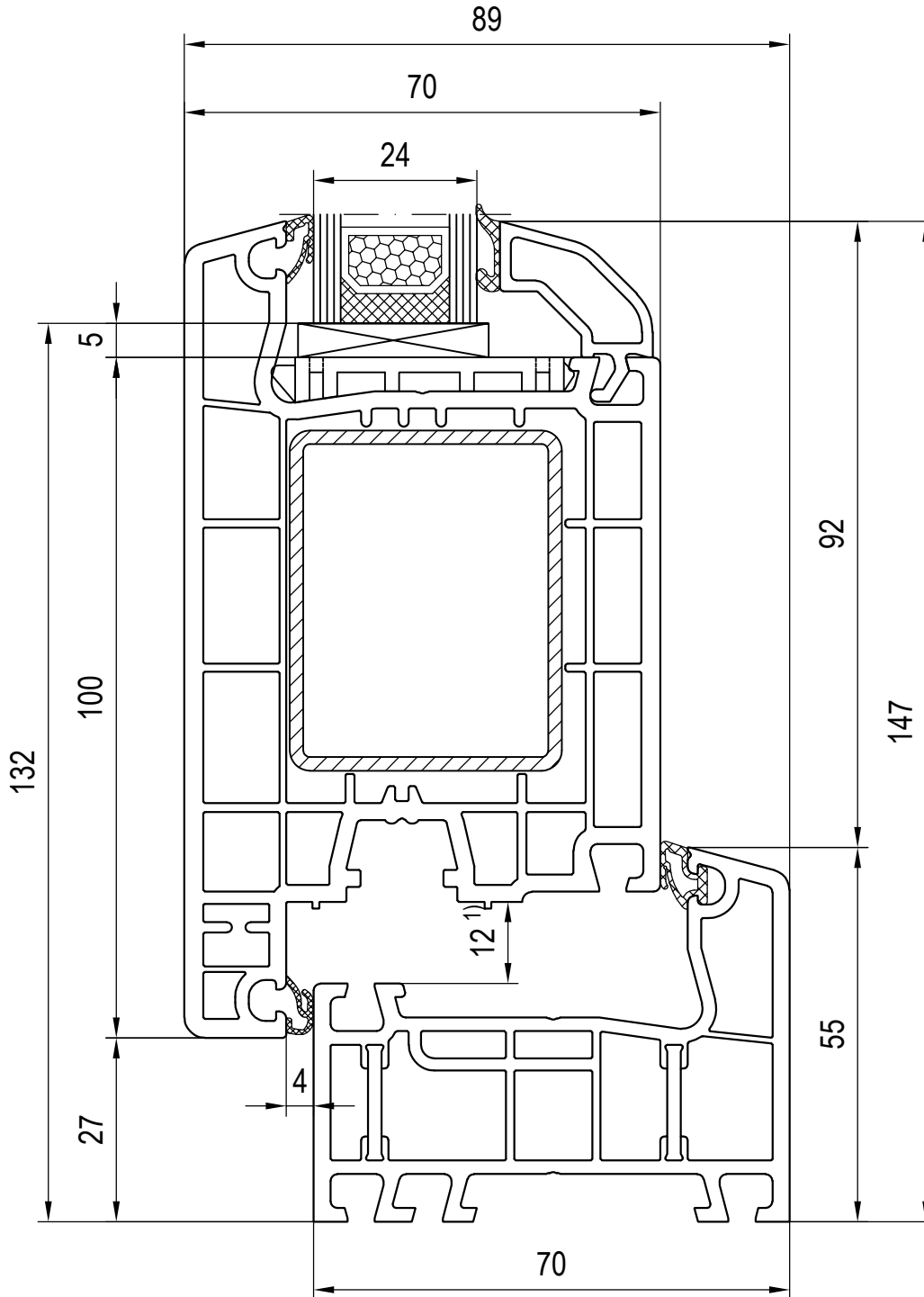
Scale 1:1

03\_D\_01\_4\*

en May be subject to change and errors excepted!

Combinations: frame - sash  
120850/120880 Glazing bead

Frame 040x02  
Sash 140x34



1) Rebate clearance of main entrance door on left and right side = 13 mm

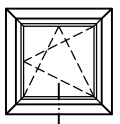
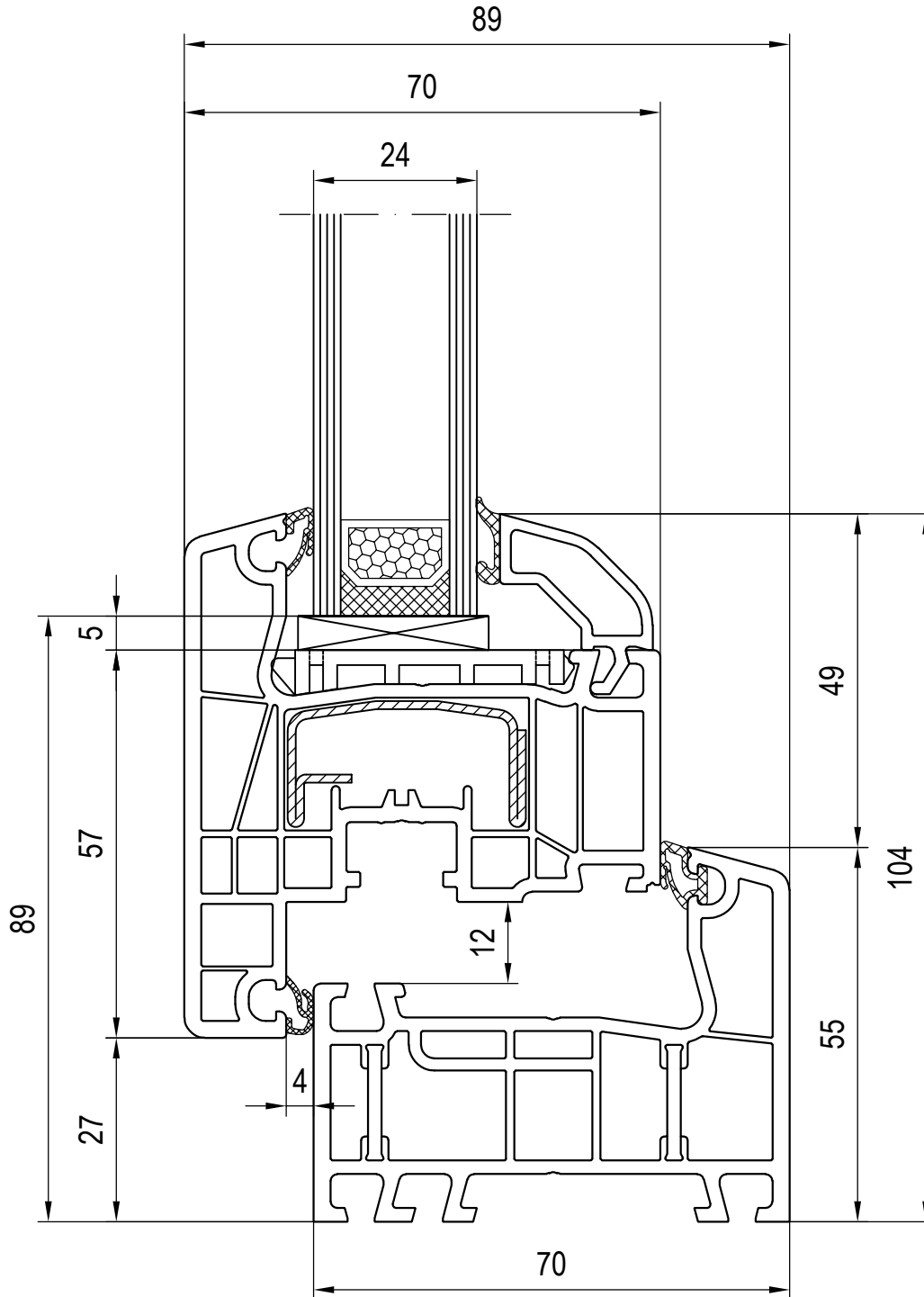
Scale 1:1

03\_D\_01\_4\*

en May be subject to change and errors excepted!

**Combinations: frame - sash**  
**120846/120876 Glazing bead**

**Frame 040x02**  
**Sash 140x35**



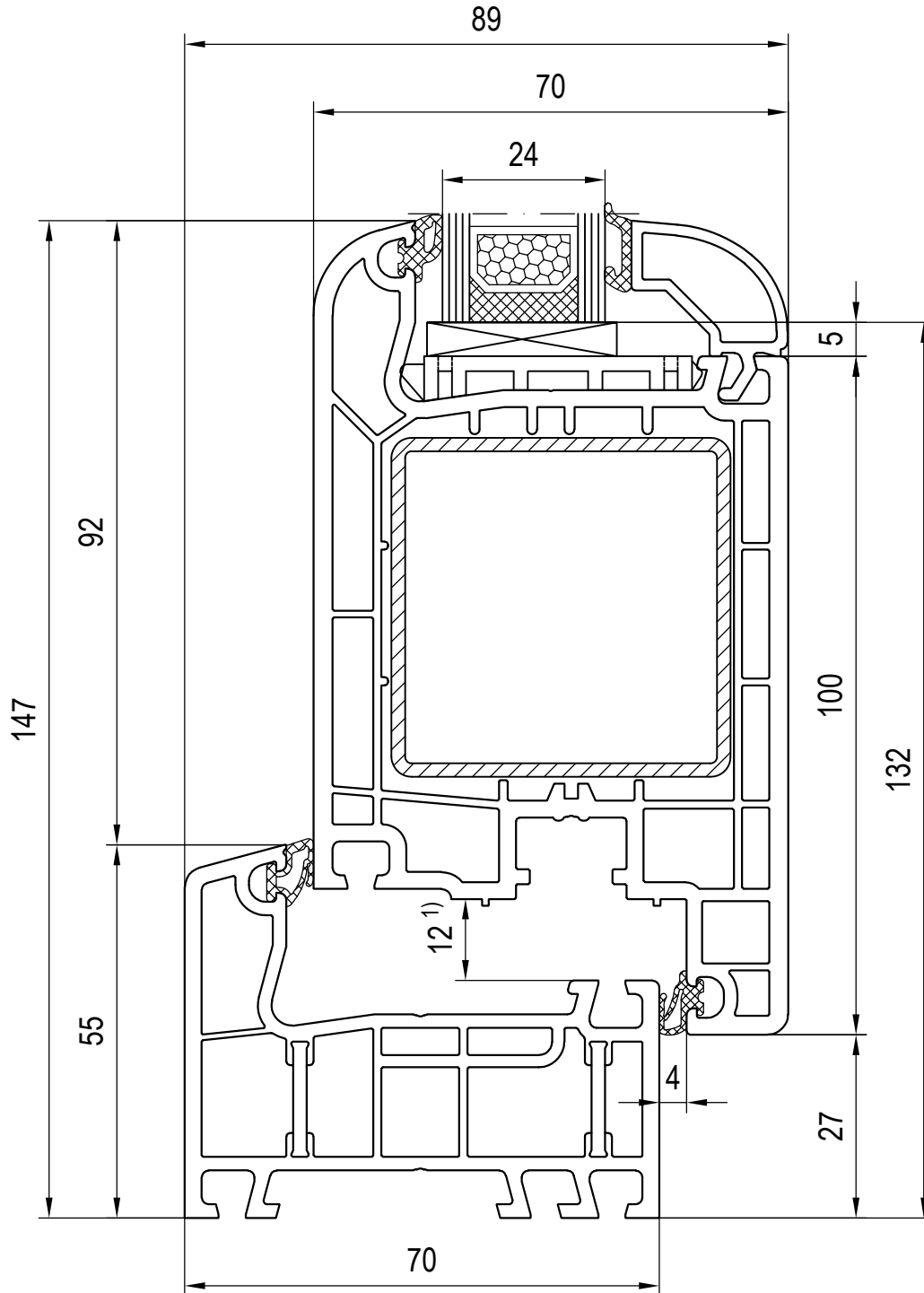
Scale 1:1

03\_D\_01\_4\*

en May be subject to change and errors excepted!

Combinations: frame - sash  
120846/120876 Glazing bead

Frame 040x02  
Sash 140x37



1) Rebate clearance of main entrance door on left and right side = 13 mm

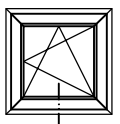
Scale 1:1

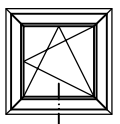
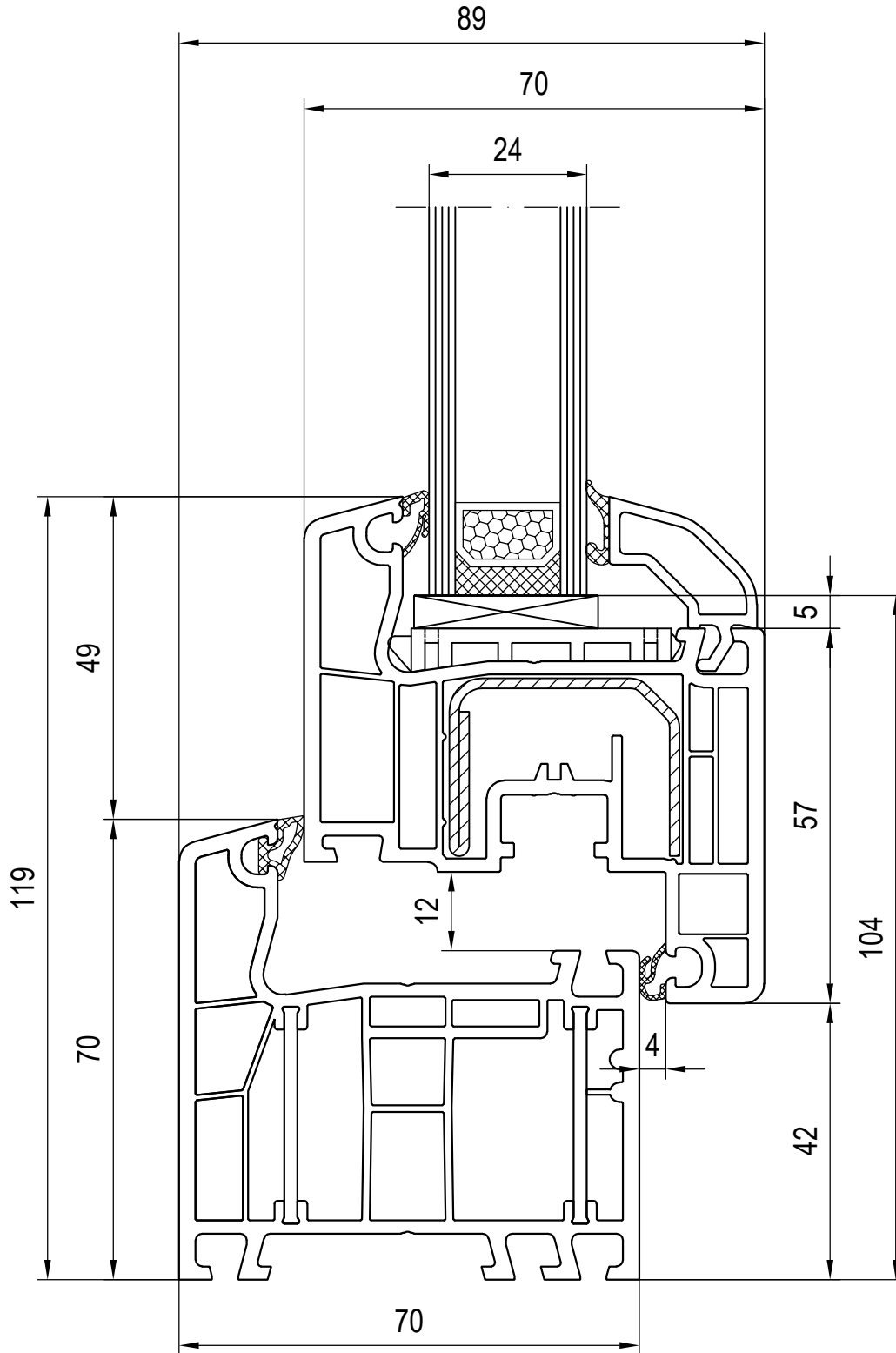
03\_D\_01\_4\*

en May be subject to change and errors excepted!

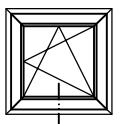
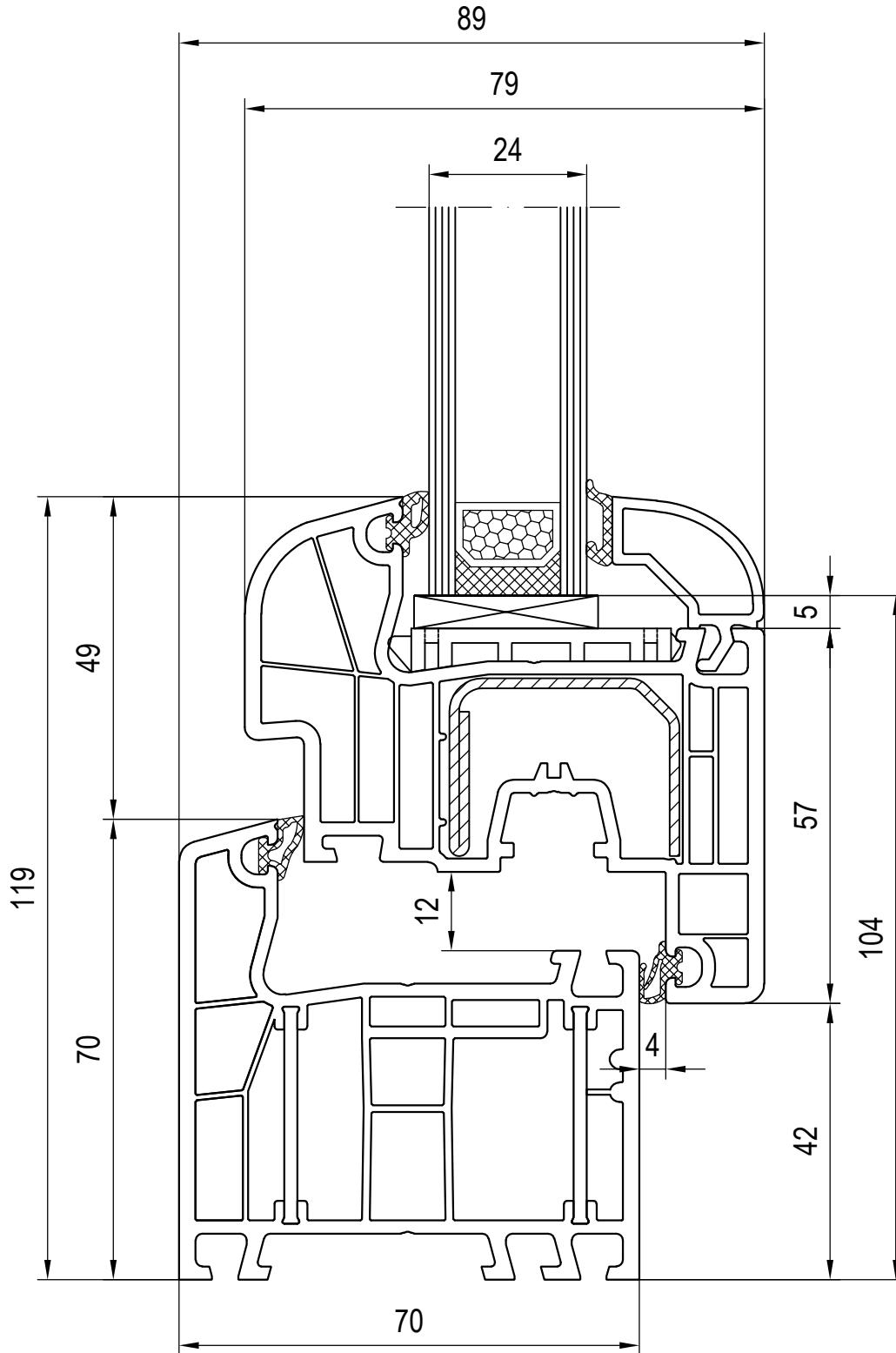
Combinations: frame - sash  
120850/120880 Glazing bead

Frame 040x02  
Sash 140x38









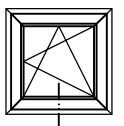
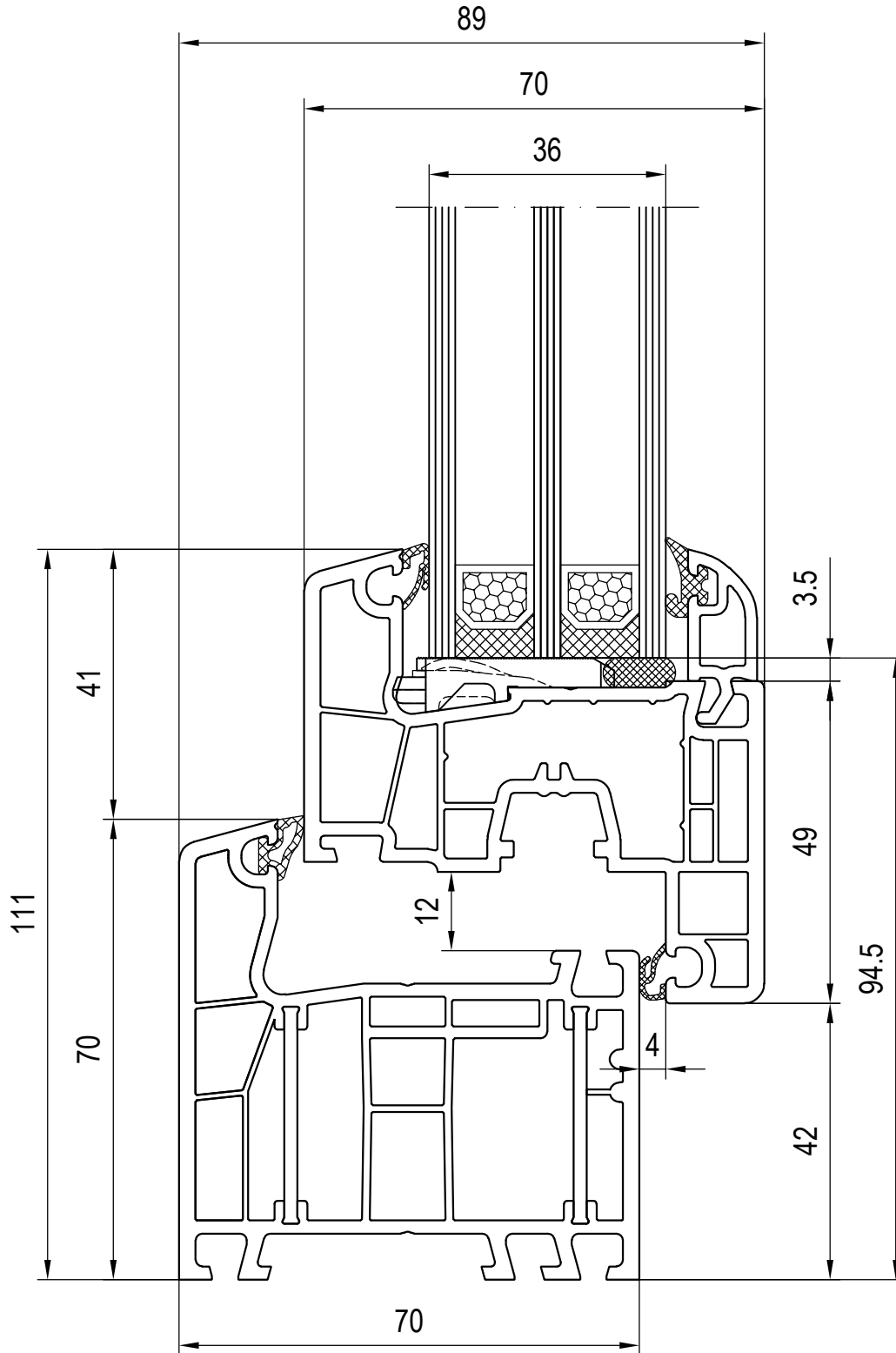
Scale 1:1

03\_D\_01\_4\*

en May be subject to change and errors excepted!

Combinations: frame - sash  
120850/120880 Glazing bead

Frame 040x07  
Sash 140x22



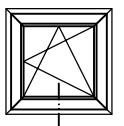
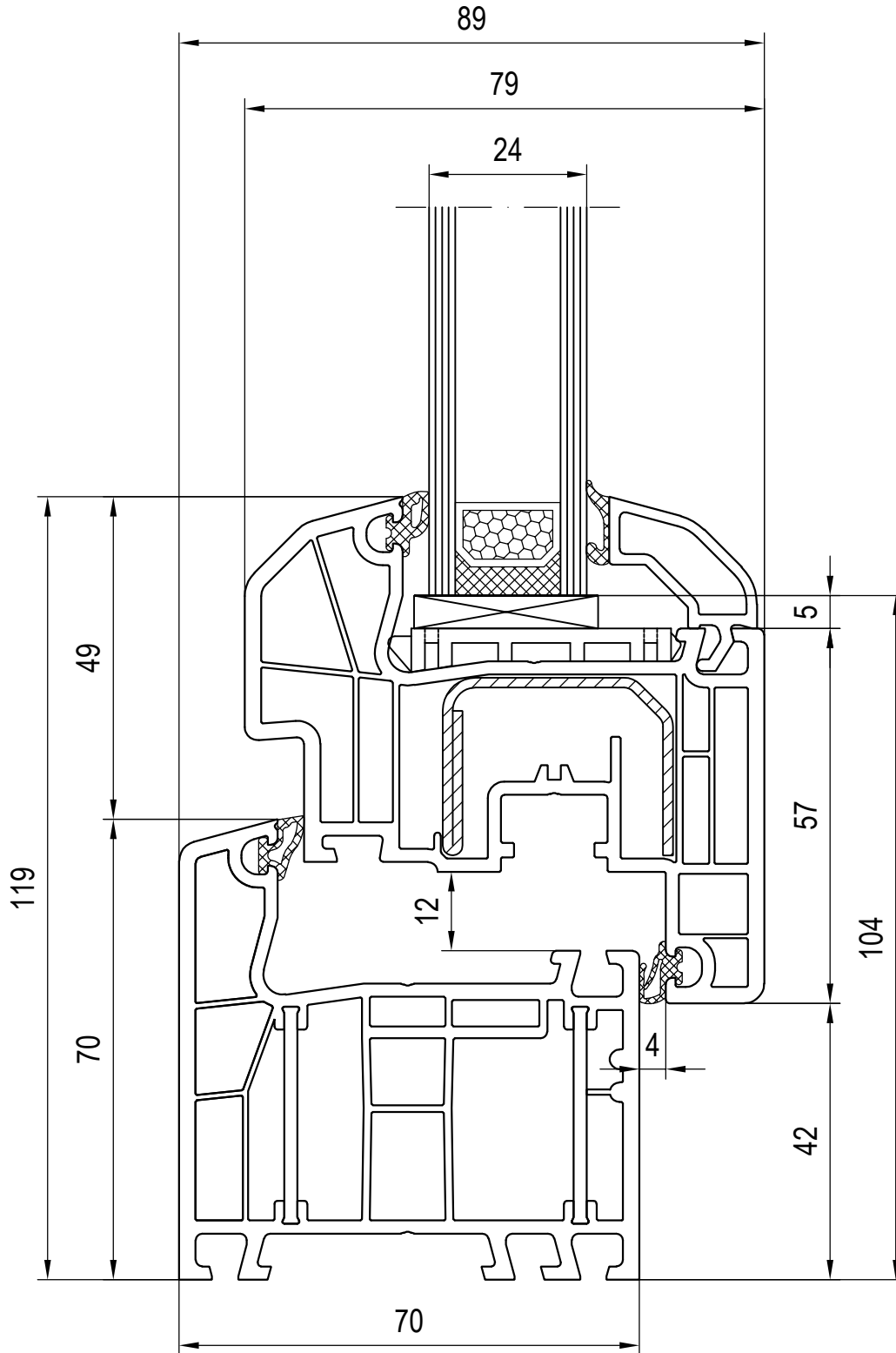
Scale 1:1

03\_D\_01\_4\*

en May be subject to change and errors excepted!

Combinations: frame - sash  
120849/120879 Glazing bead

Frame 040x07  
Sash 140x24



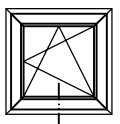
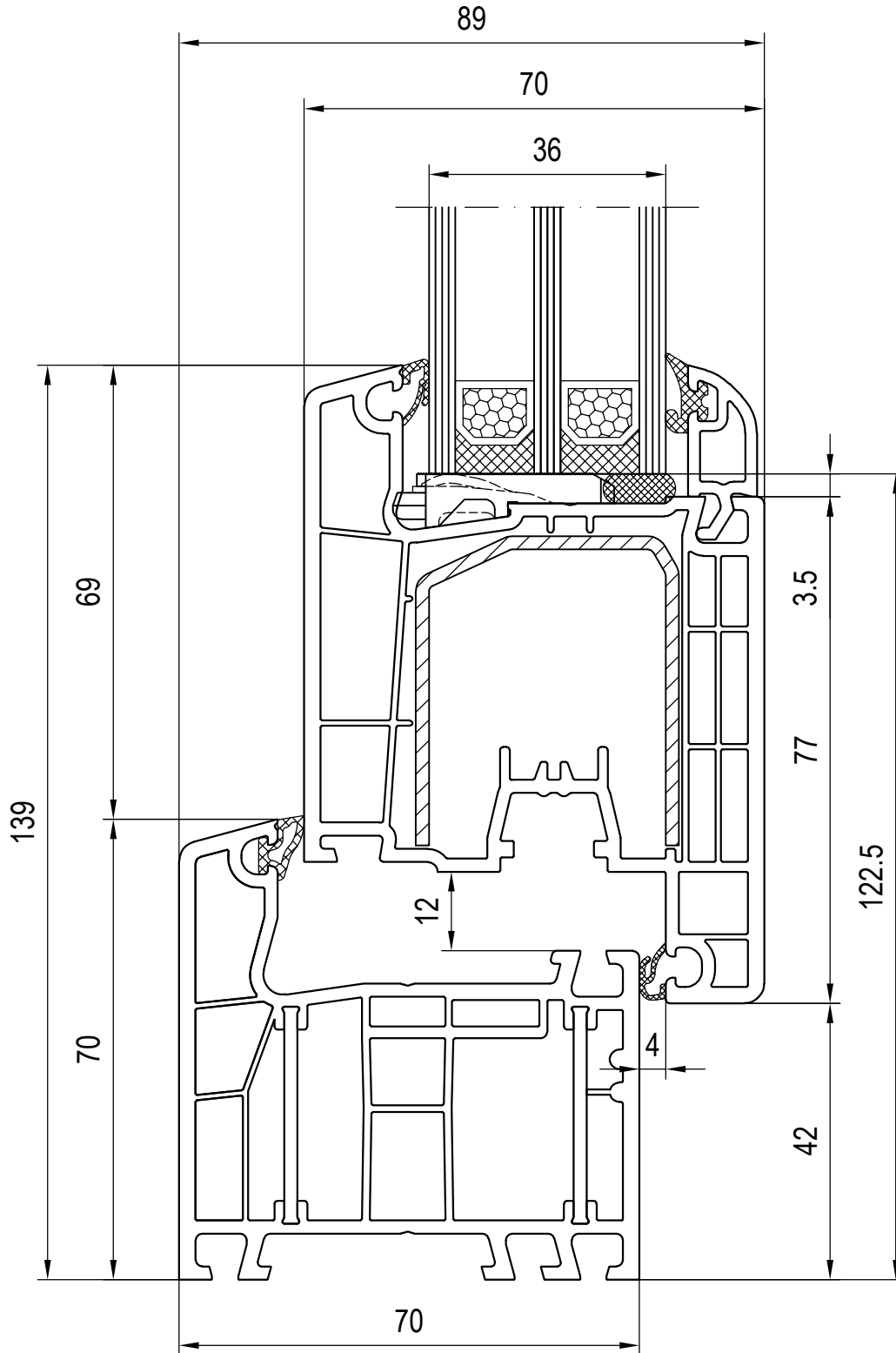
Scale 1:1

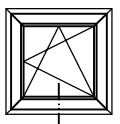
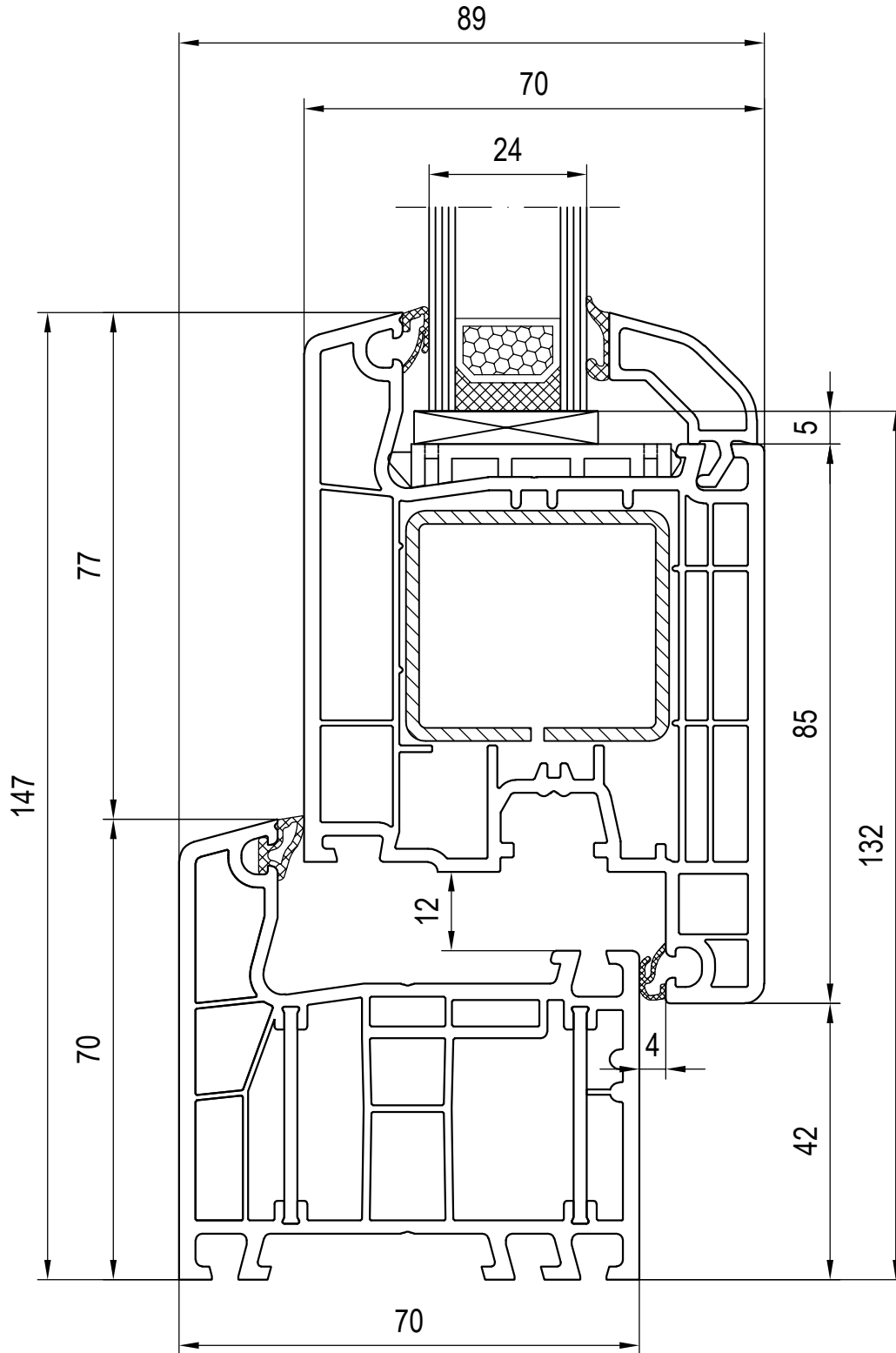
03\_D\_01\_4\*

en May be subject to change and errors excepted!

Combinations: frame - sash  
120846/120876 Glazing bead

Frame 040x07  
Sash 140x26





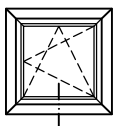
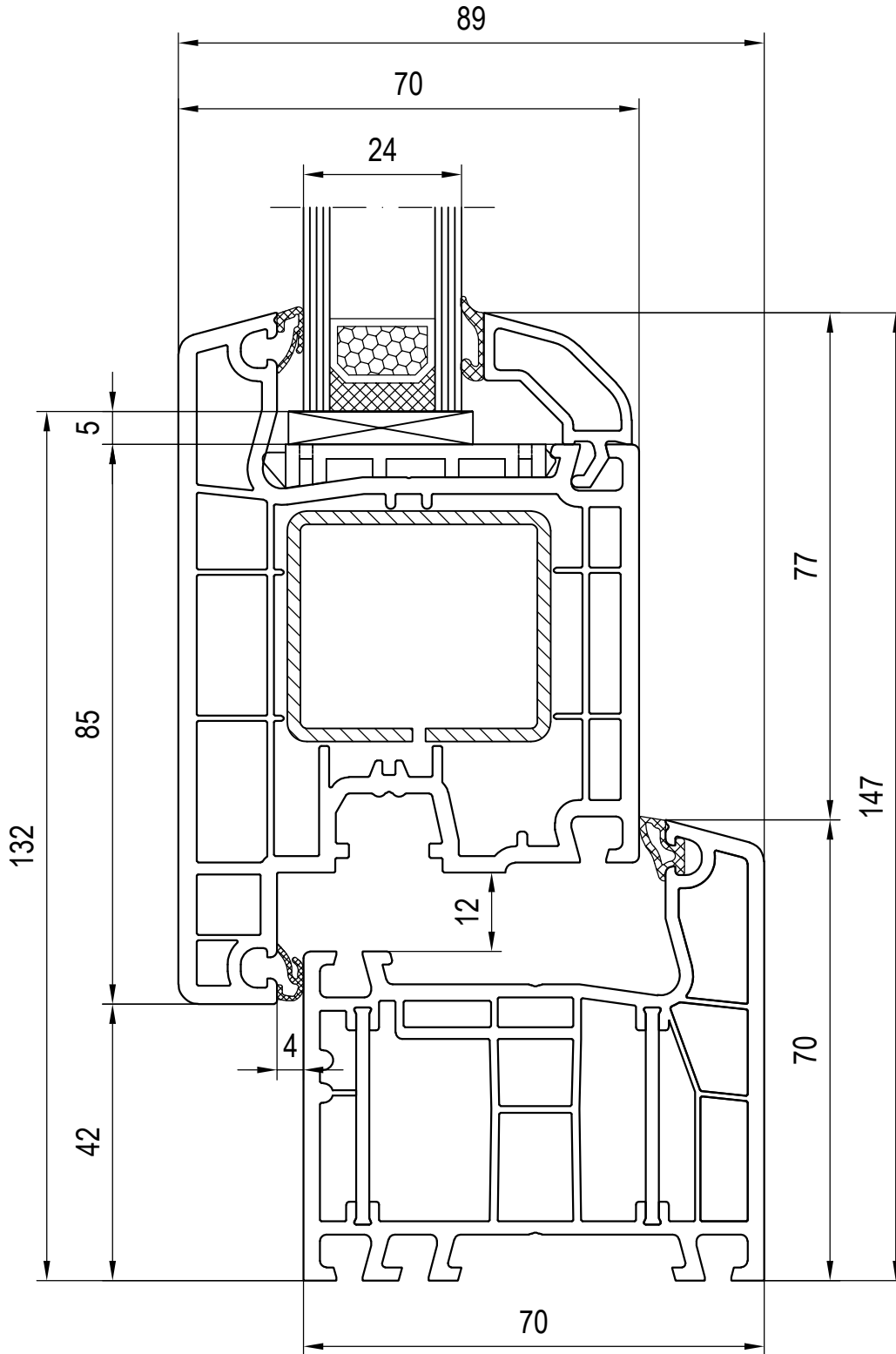
Scale 1:1

03\_D\_01\_4\*

en May be subject to change and errors excepted!

Combinations: frame - sash  
120846/120876 Glazing bead

Frame 040x07  
Sash 140x30



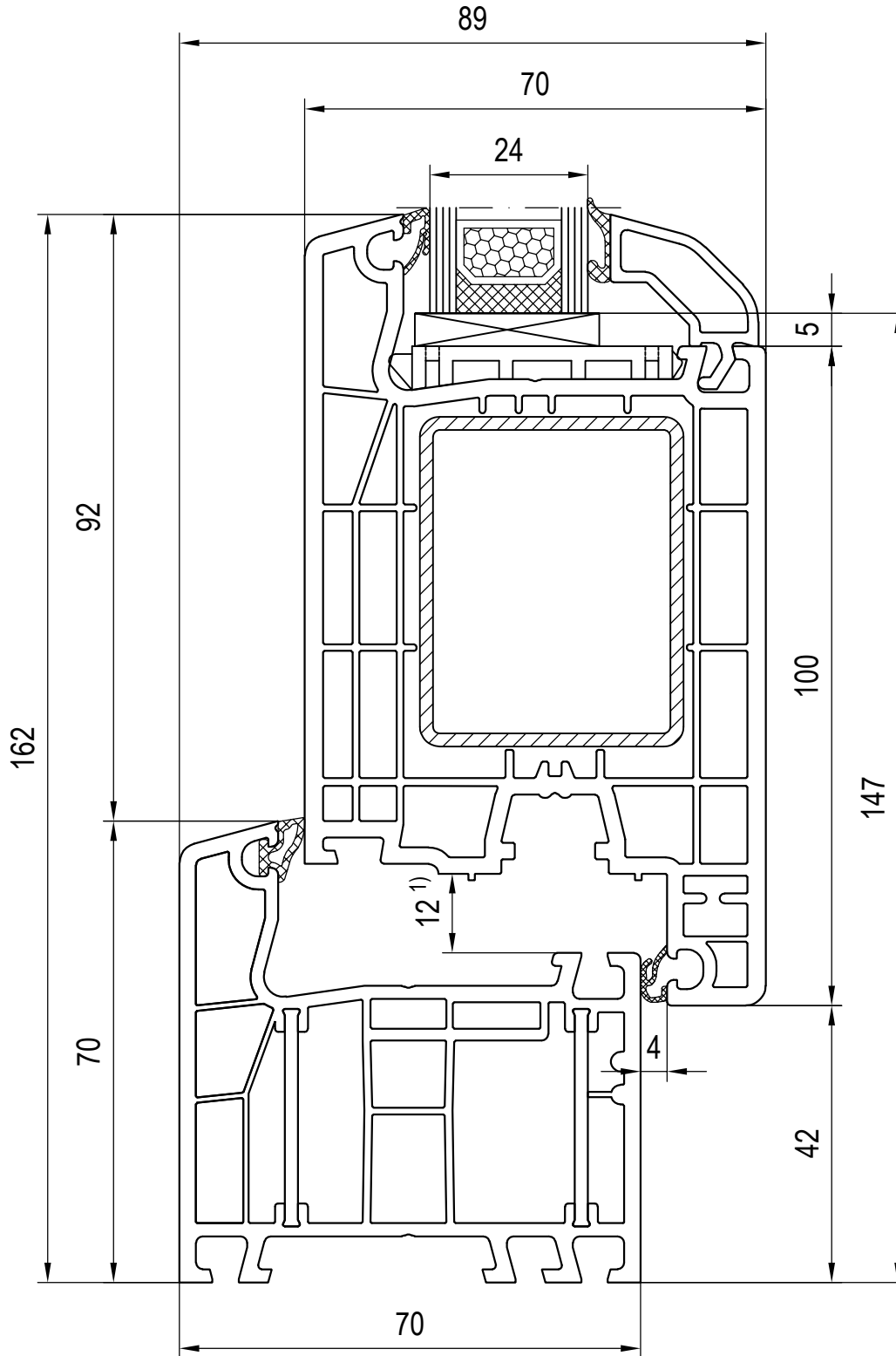
Scale 1:1

03\_D\_01\_4\*

en May be subject to change and errors excepted!

Combinations: frame - sash  
120846/120876 Glazing bead

Frame 040x07  
Sash 140x31



1) Rebate clearance of main entrance door on left and right side = 13 mm

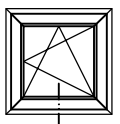
Scale 1:1

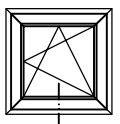
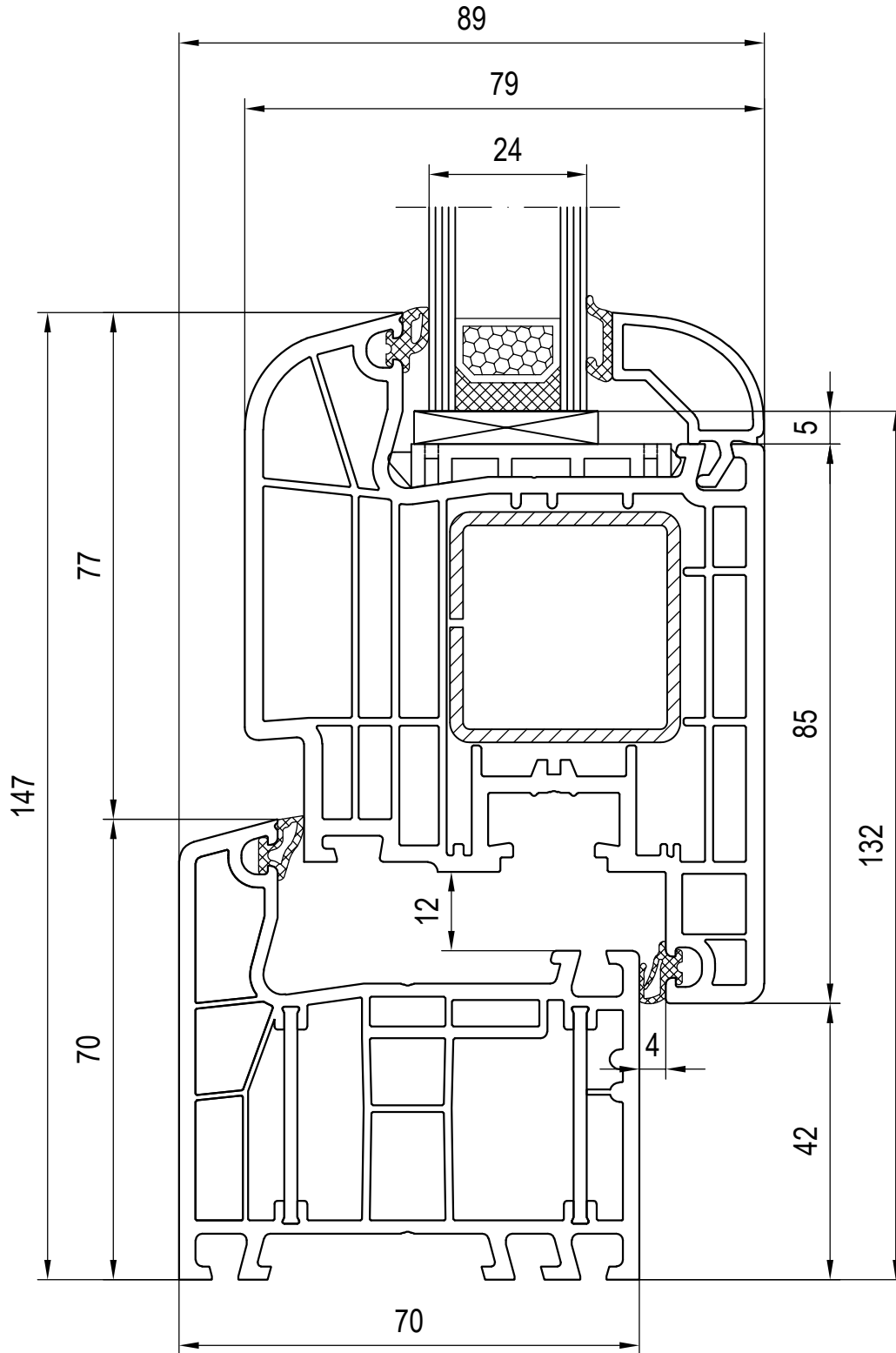
03\_D\_01\_4\*

en May be subject to change and errors excepted!

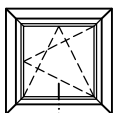
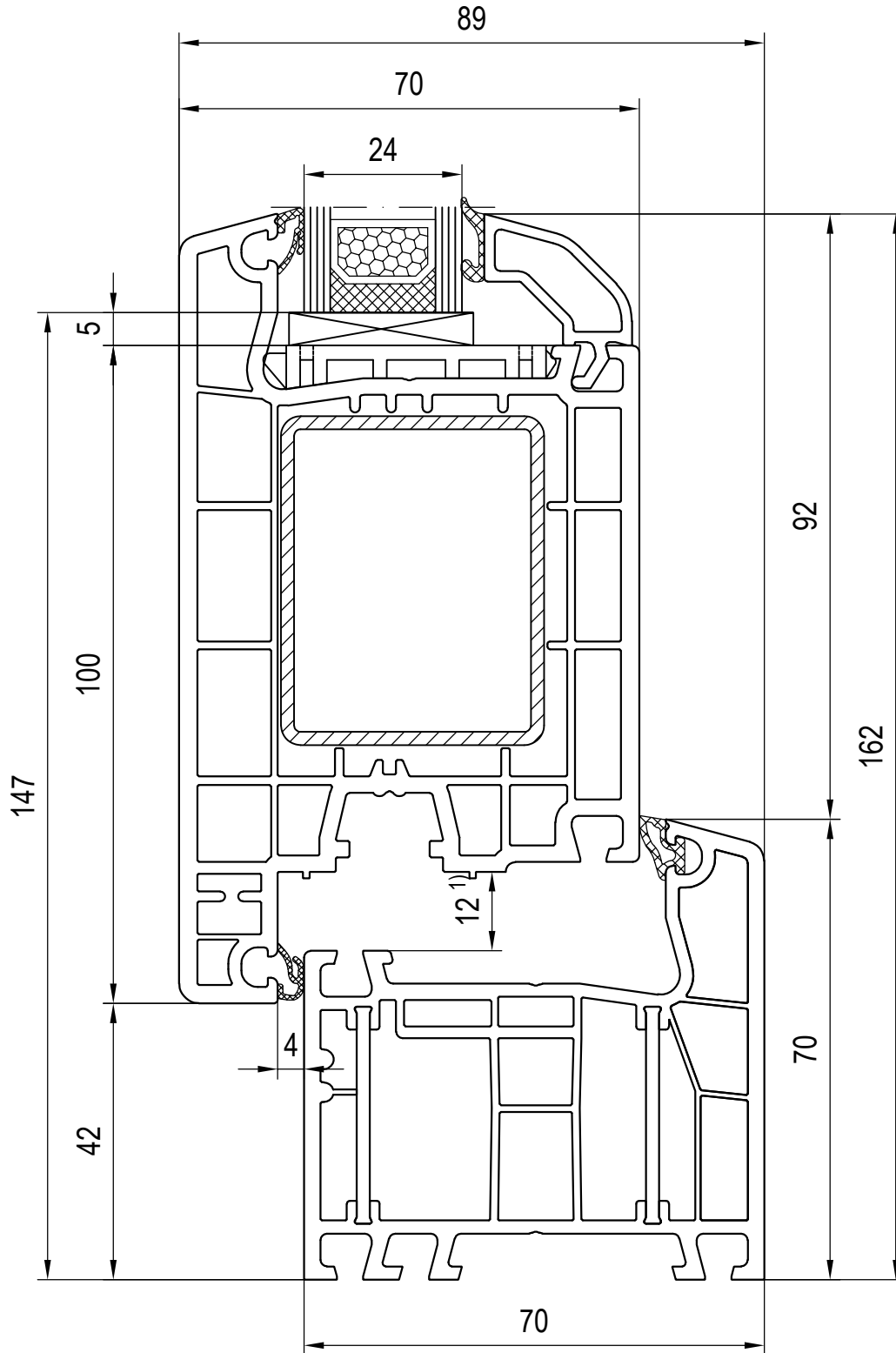
Combinations: frame - sash  
120846/120876 Glazing bead

Frame 040x07  
Sash 140x33









1) Rebate clearance of main entrance door on left and right side = 13 mm

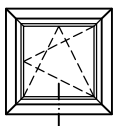
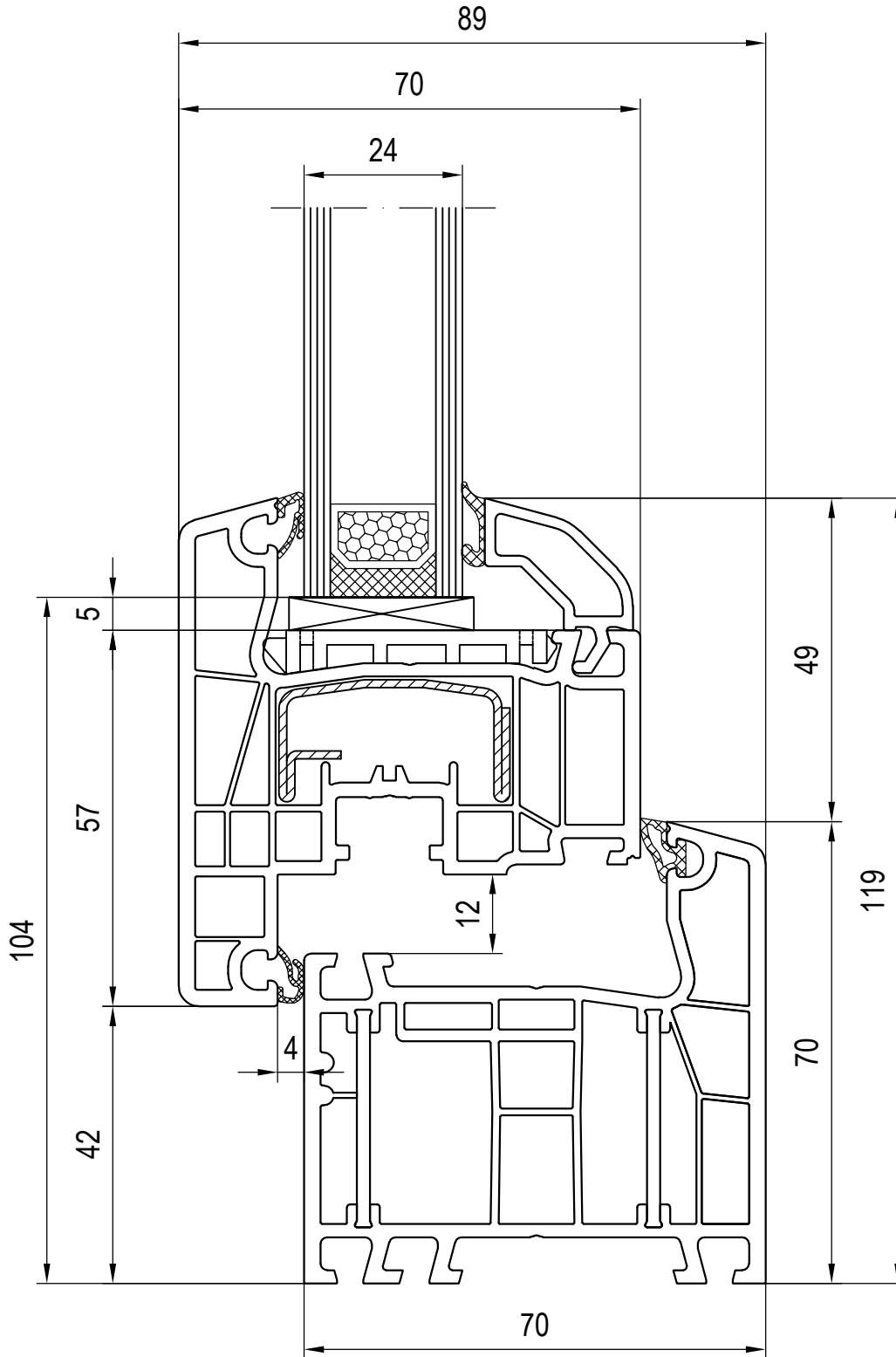
Scale 1:1

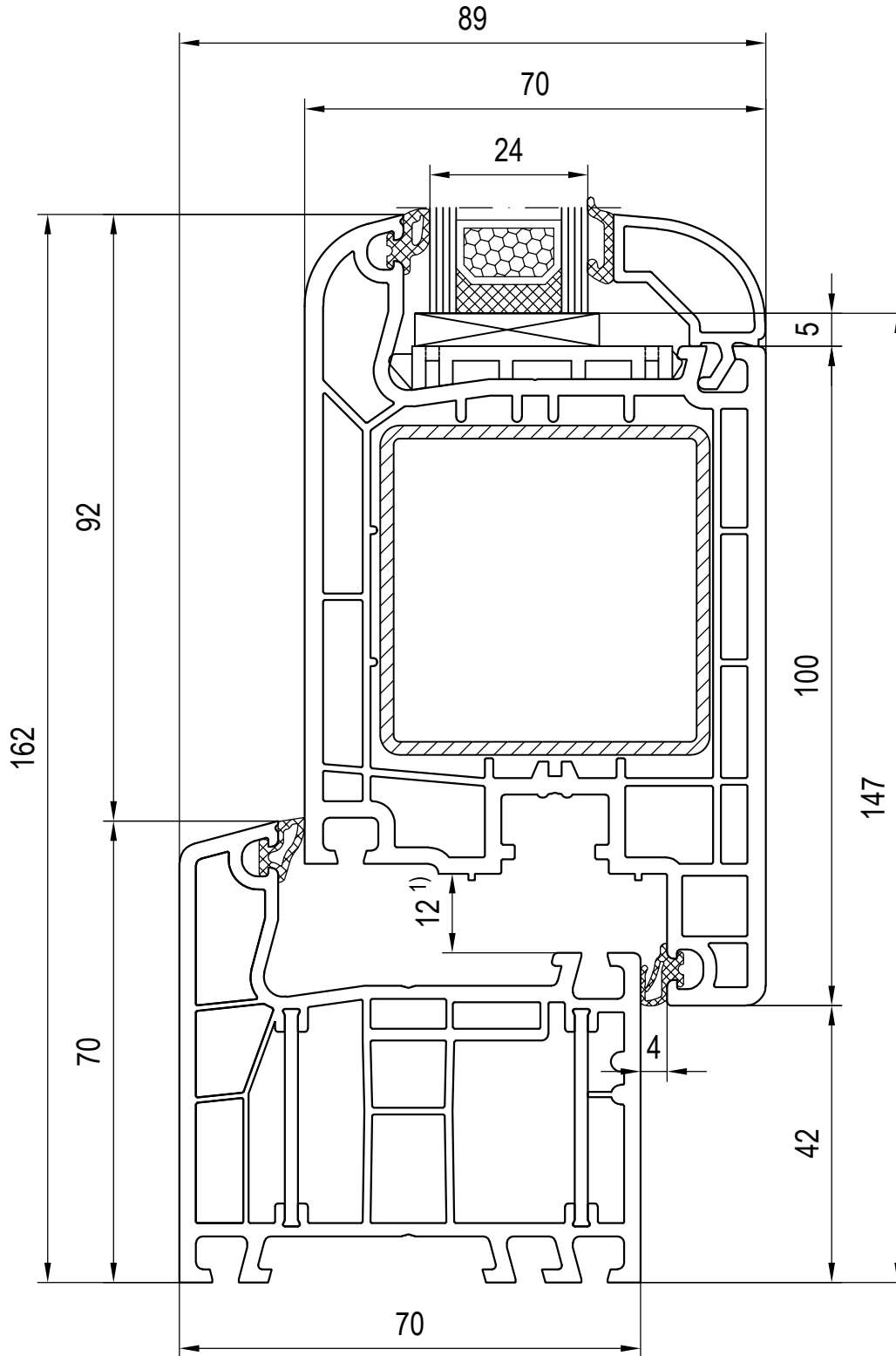
03\_D\_01\_4\*

en May be subject to change and errors excepted!

Combinations: frame - sash  
120846/120876 Glazing bead

Frame 040x07  
Sash 140x35





1) Rebate clearance of main entrance door on left and right side = 13 mm

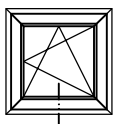
Scale 1:1

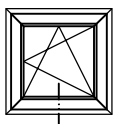
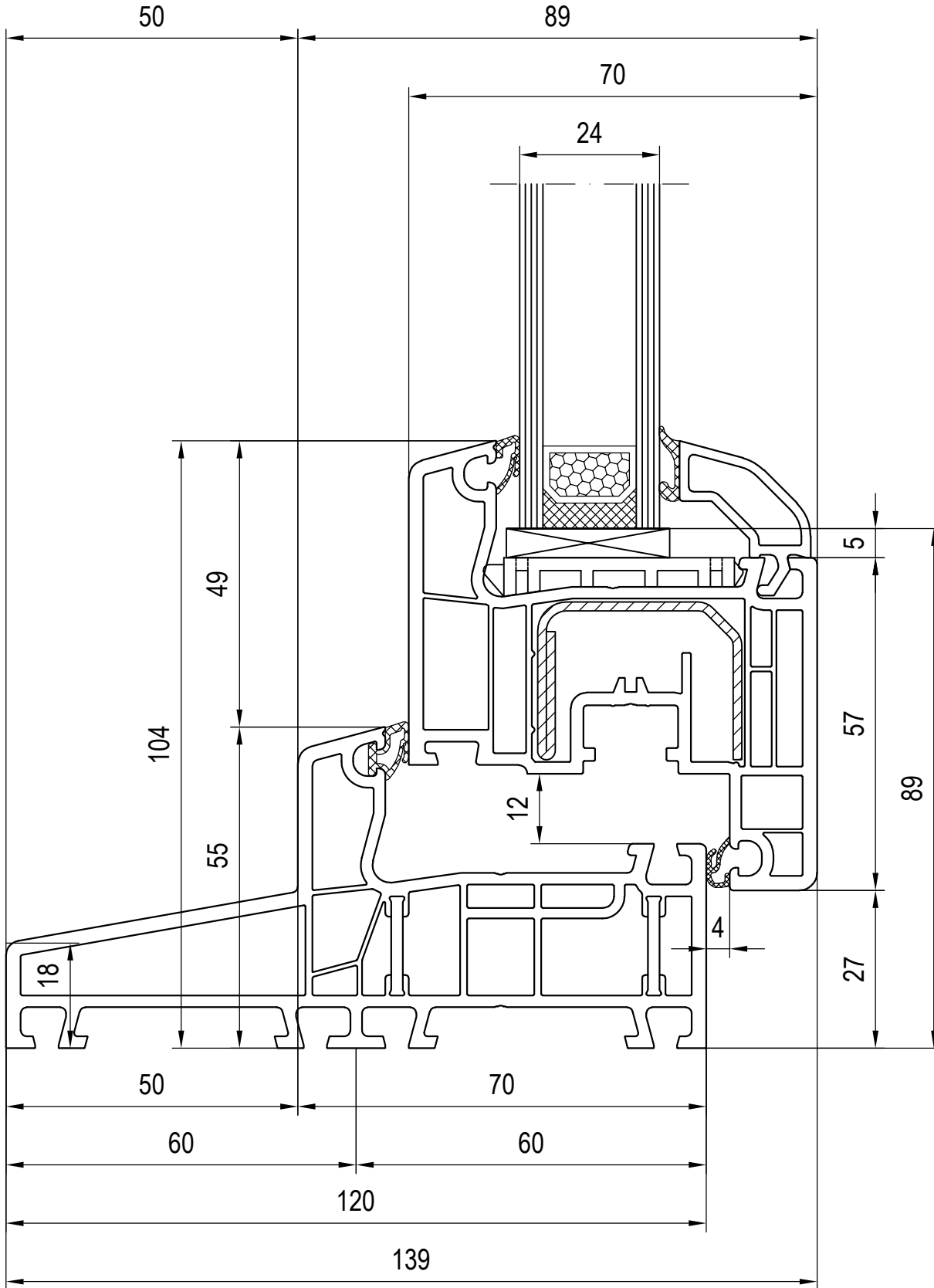
03\_D\_01\_4\*

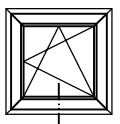
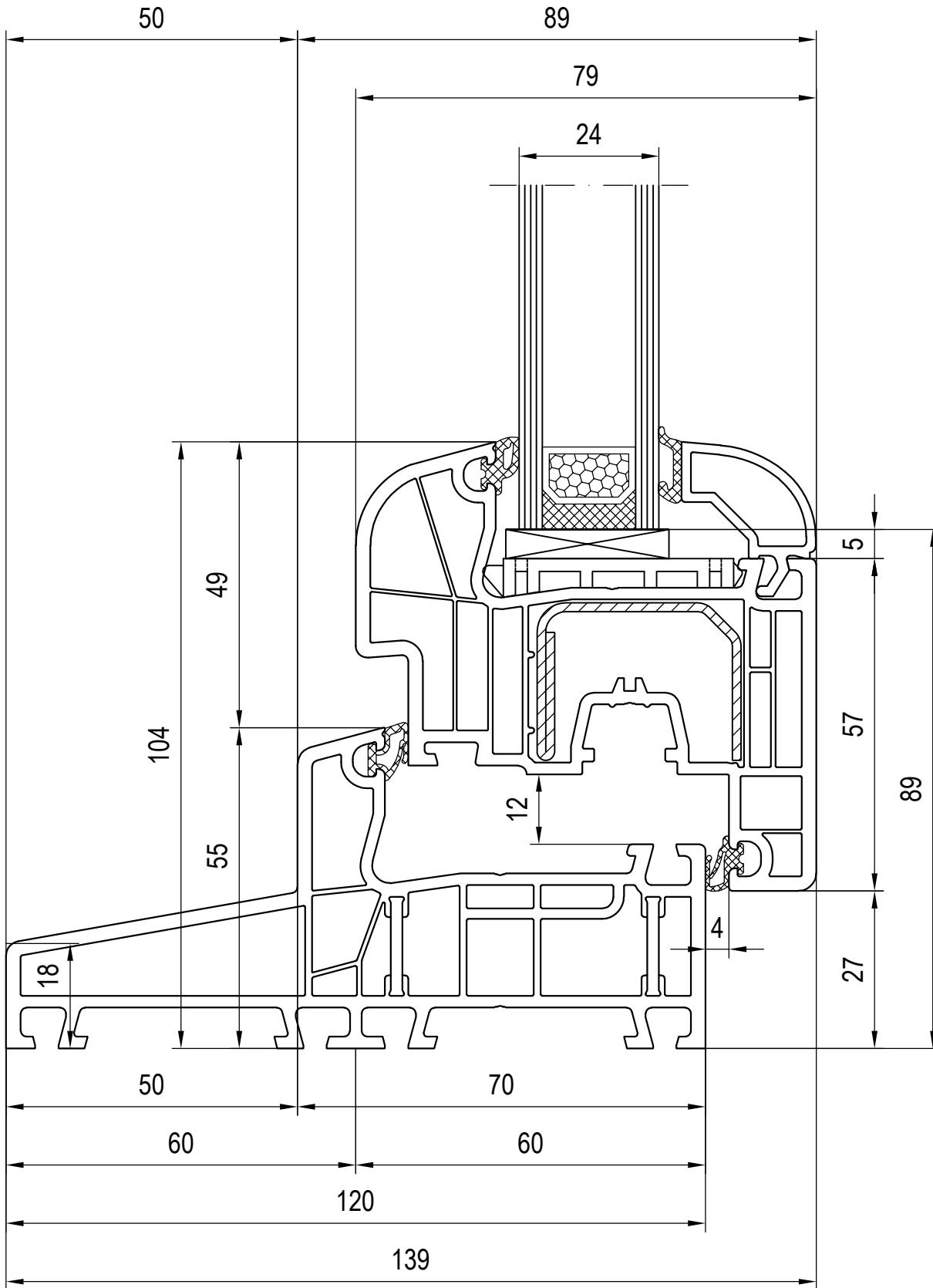
en May be subject to change and errors excepted!

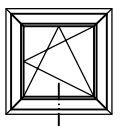
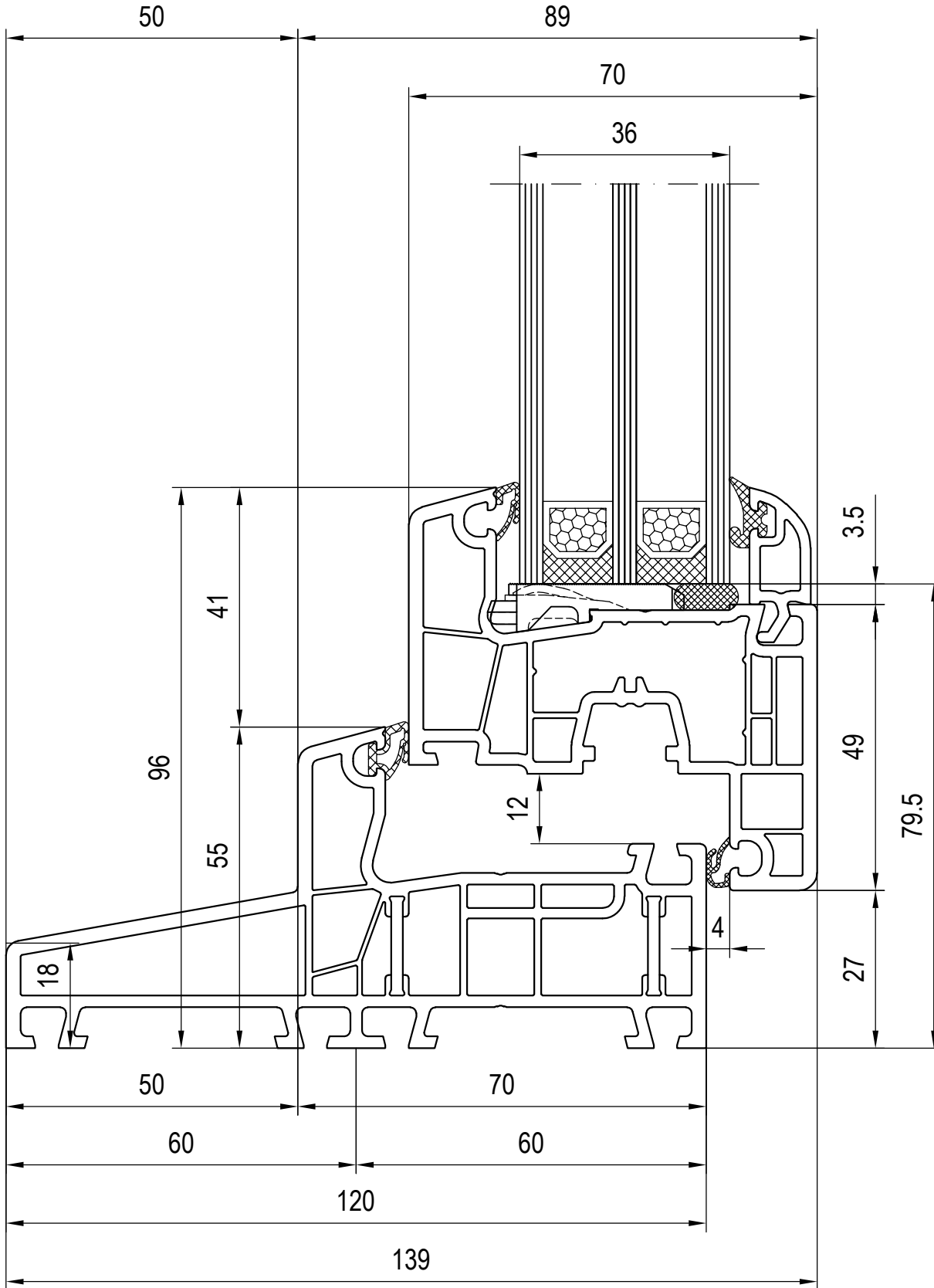
Combinations: frame - sash  
120850/120880 Glazing bead

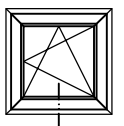
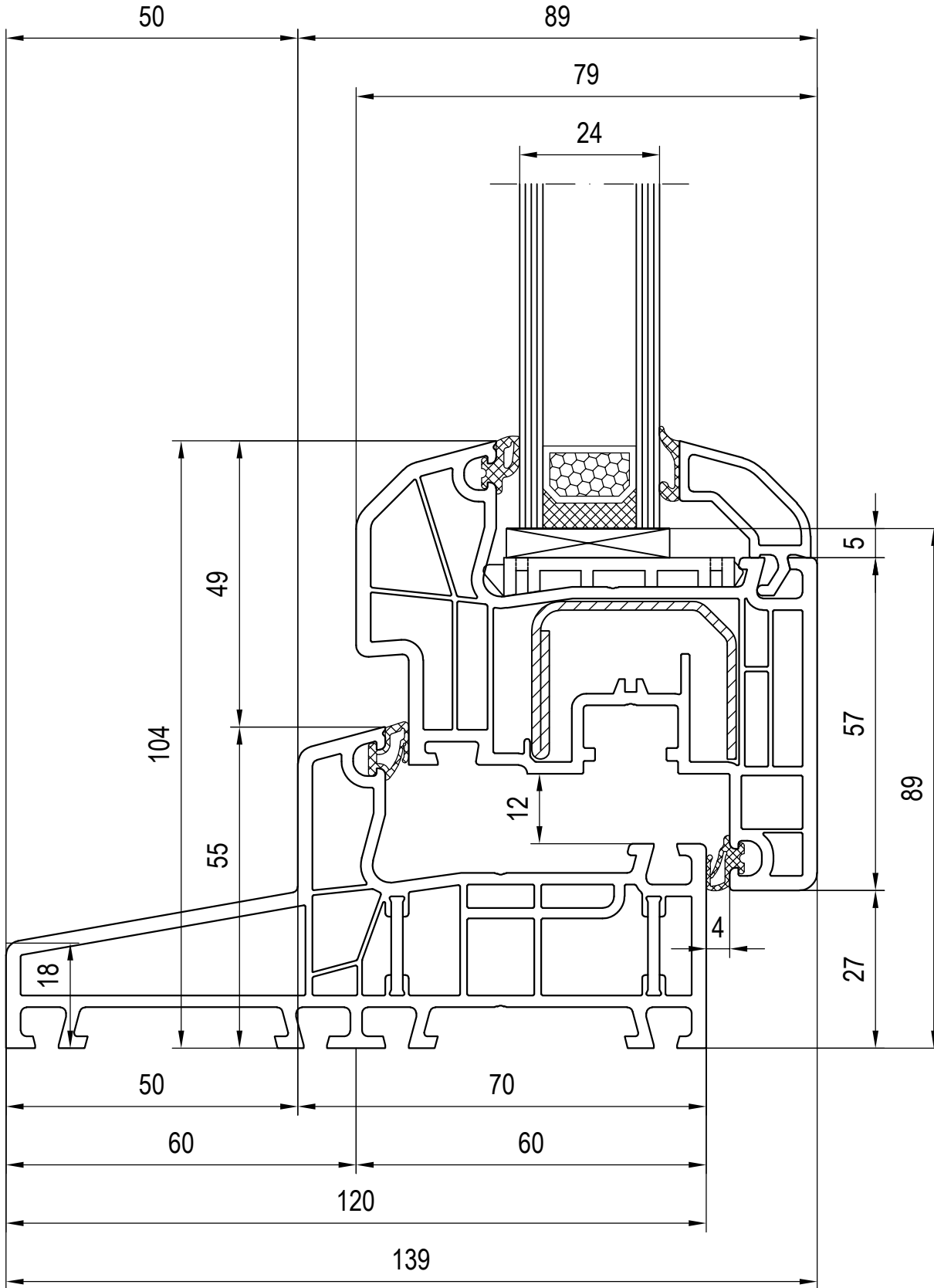
Frame 040x07  
Sash 140x38











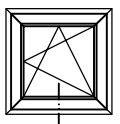
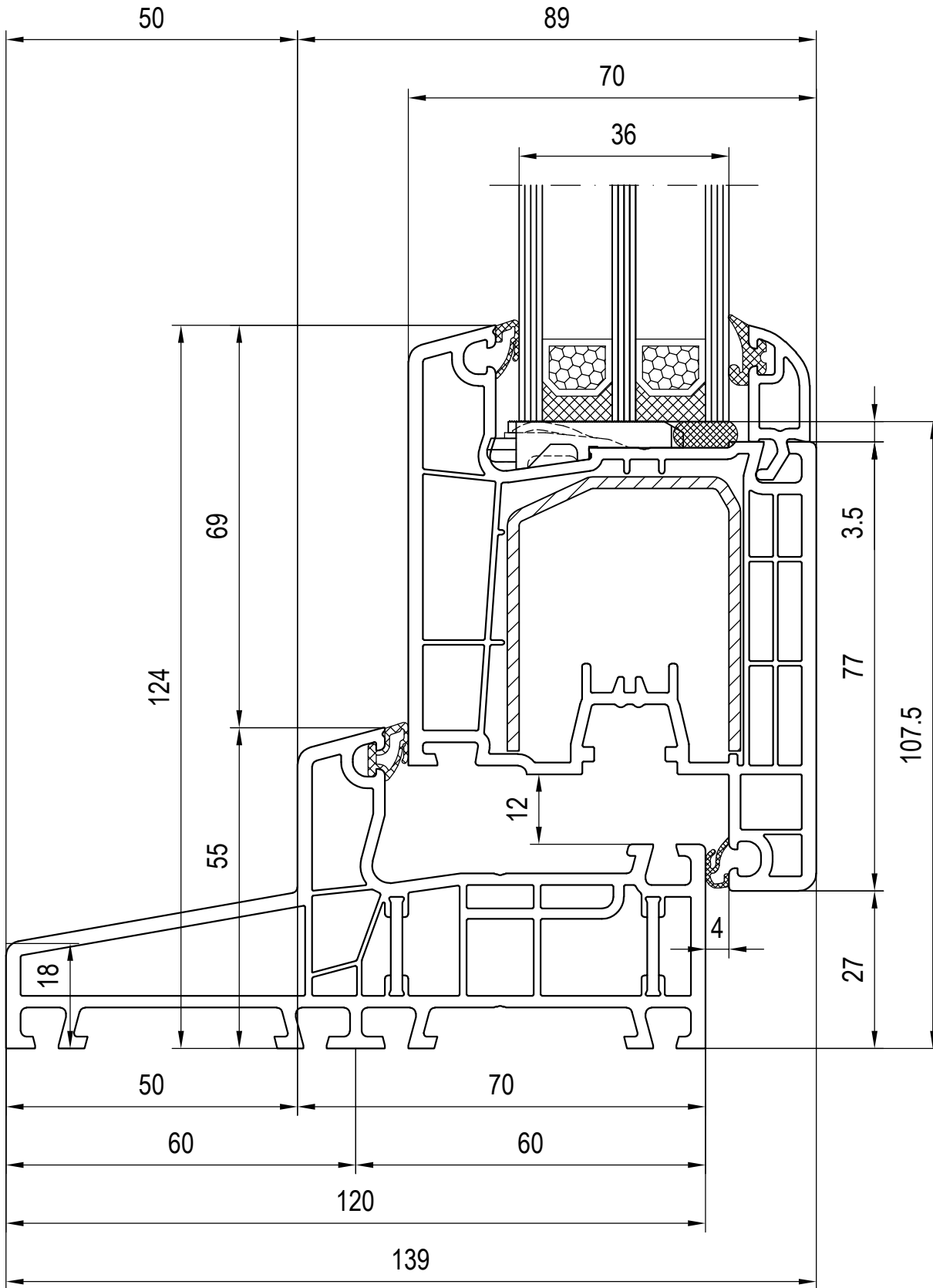
Scale 1:1

03\_D\_01\_4\*

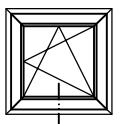
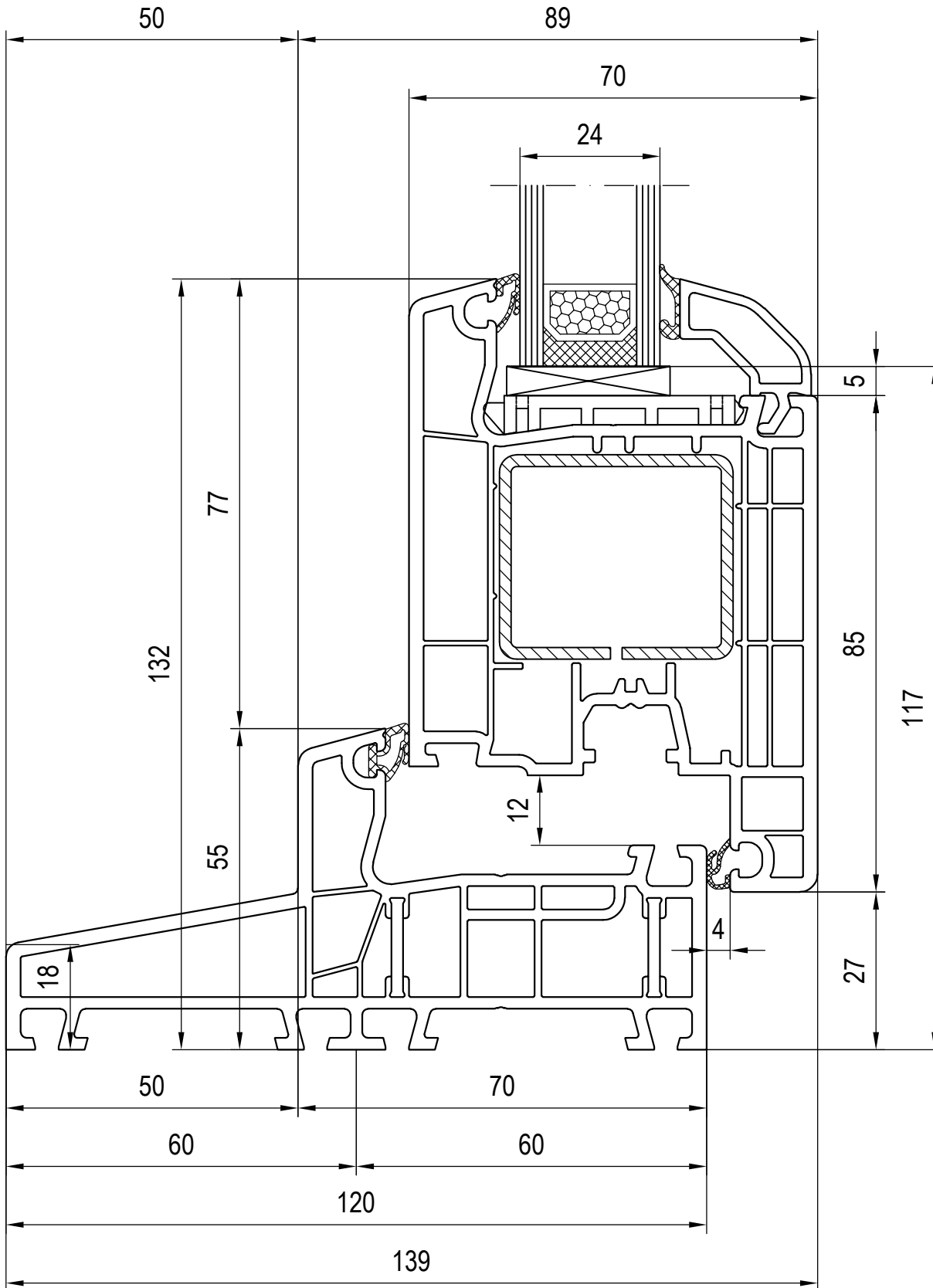
en May be subject to change and errors excepted!

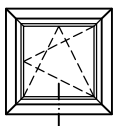
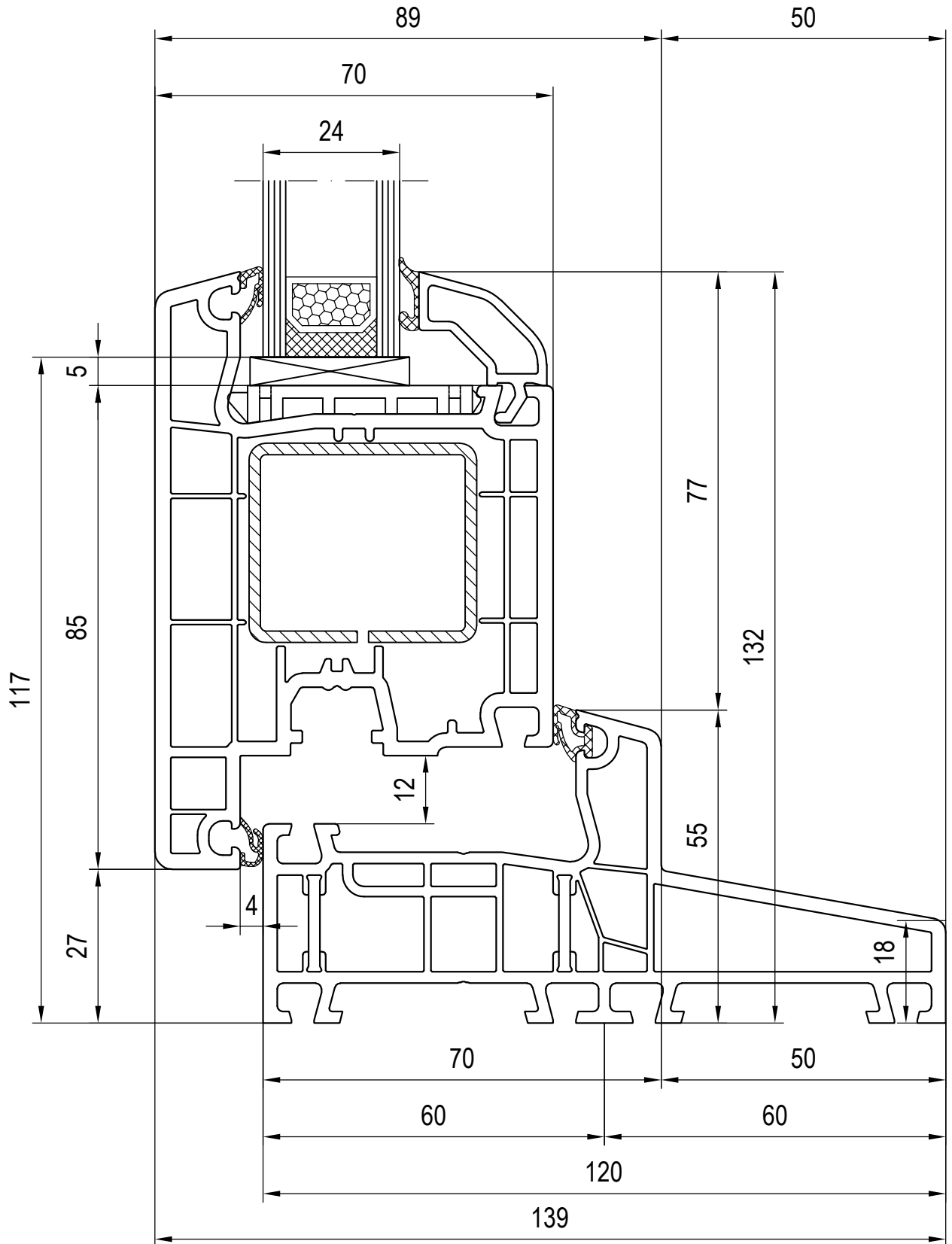
Combinations: frame - sash  
120846/120876 Glazing bead

Frame 040x92  
Sash 140x26









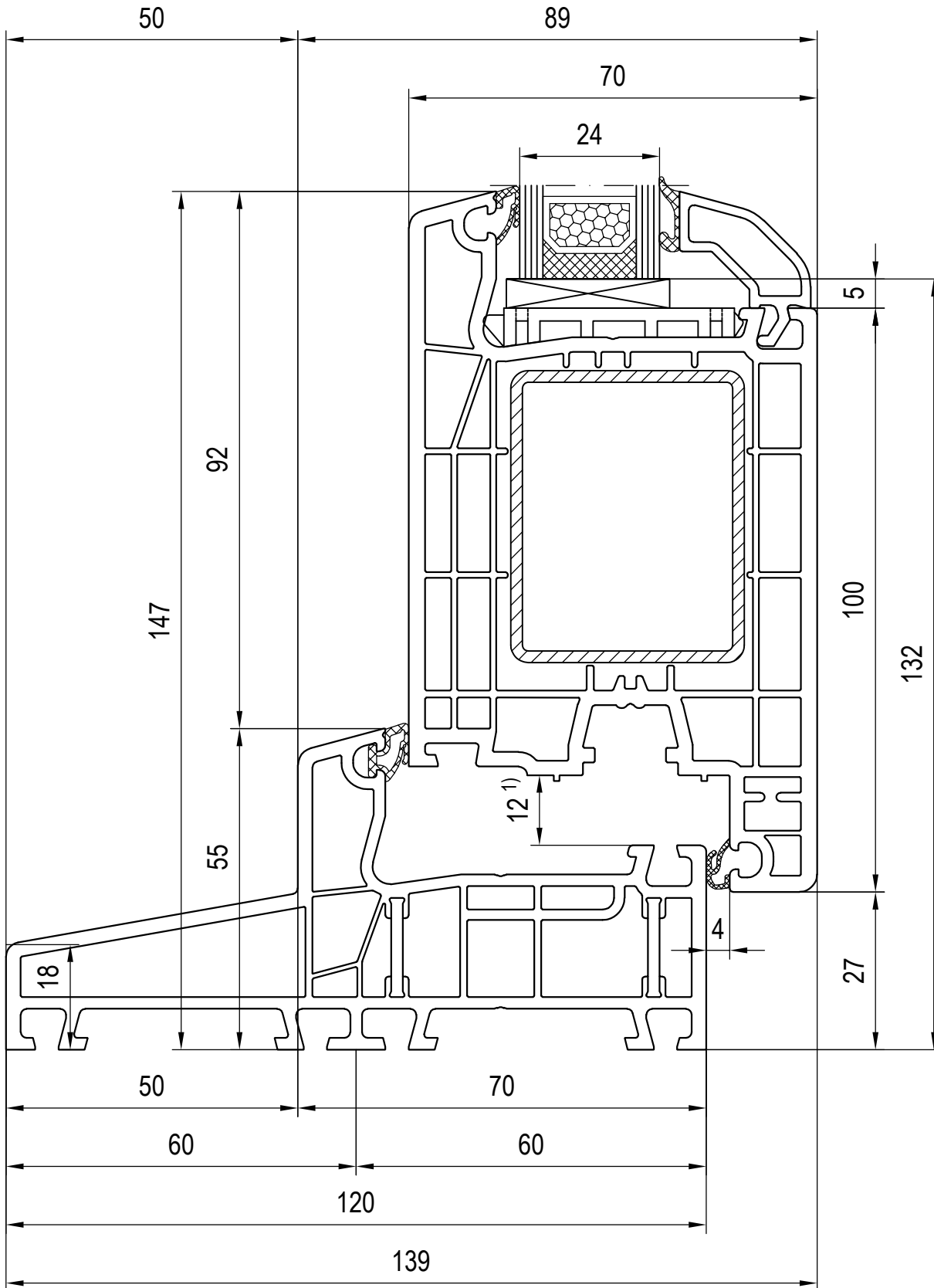
Scale 1:1

03\_D\_01\_4\*

en May be subject to change and errors excepted!

Combinations: frame - sash  
120846/120876 Glazing bead

Frame 040x92  
Sash 140x31



1) Rebate clearance of main entrance door on left and right side = 13 mm

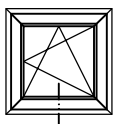
Scale 1:1

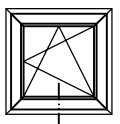
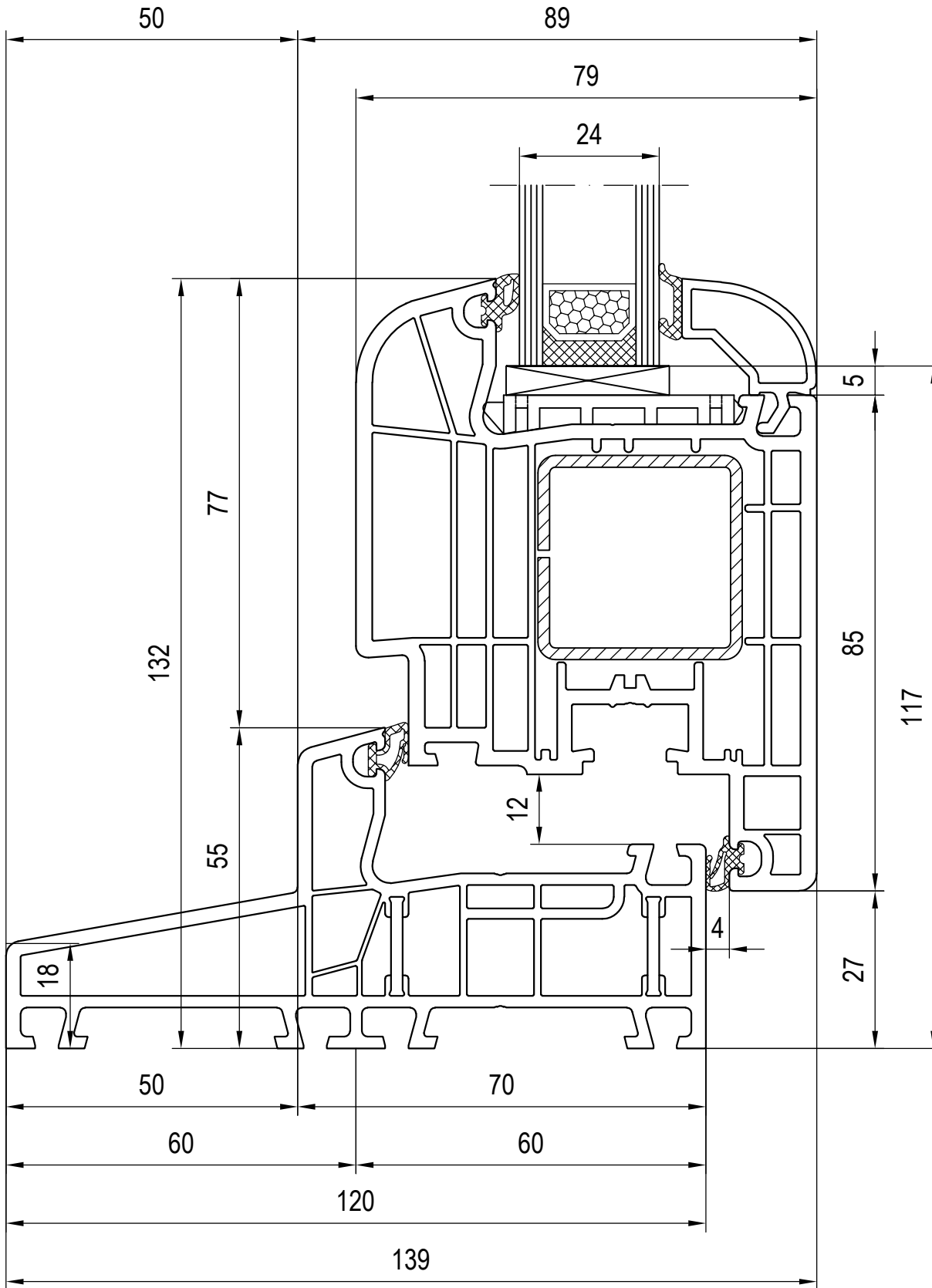
03\_D\_01\_4\*

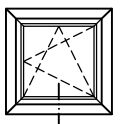
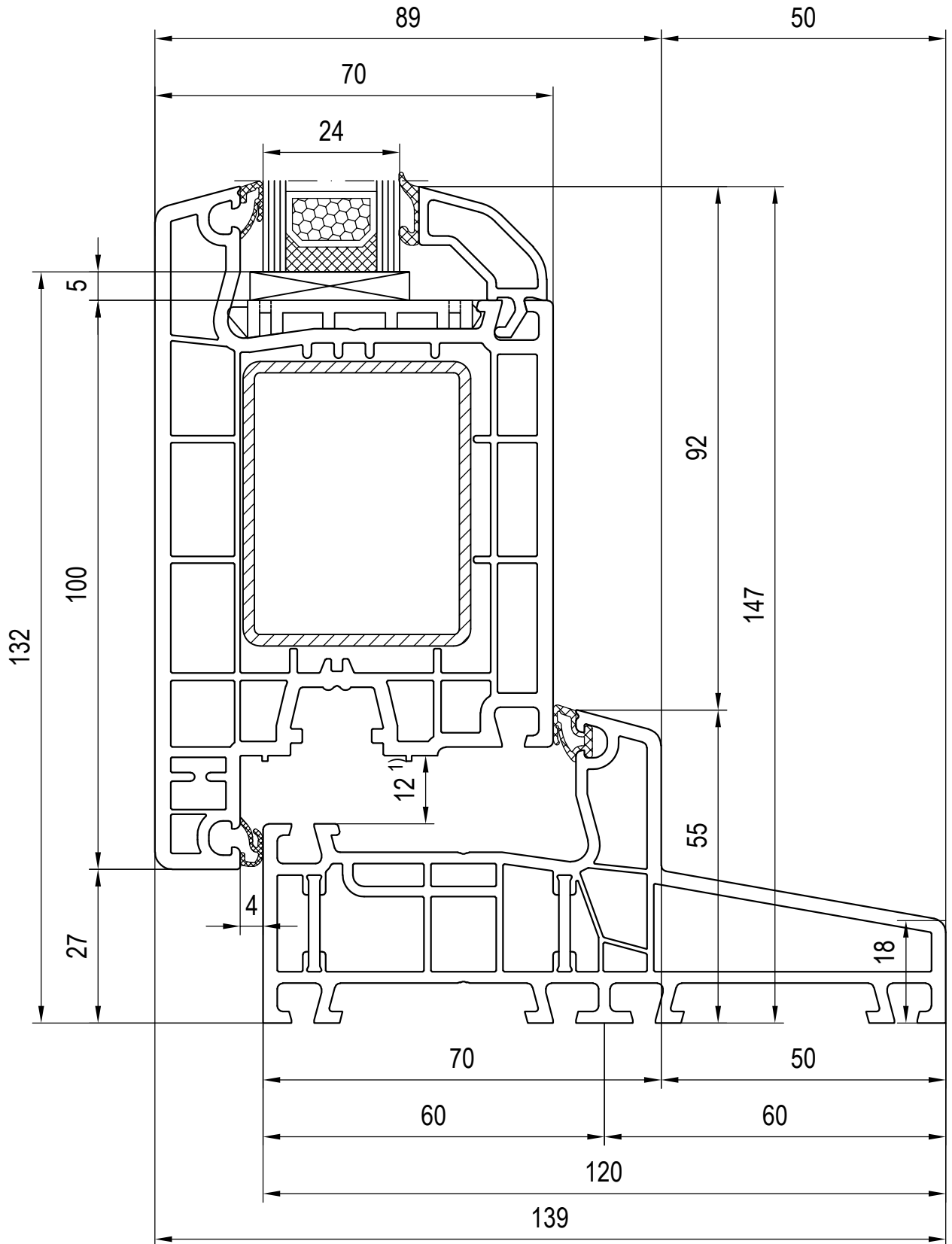
en May be subject to change and errors excepted!

Combinations: frame - sash  
**120846/120876 Glazing bead**

**Frame 040x92**  
**Sash 140x33**







1) Rebate clearance of main entrance door on left and right side = 13 mm

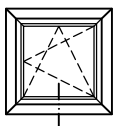
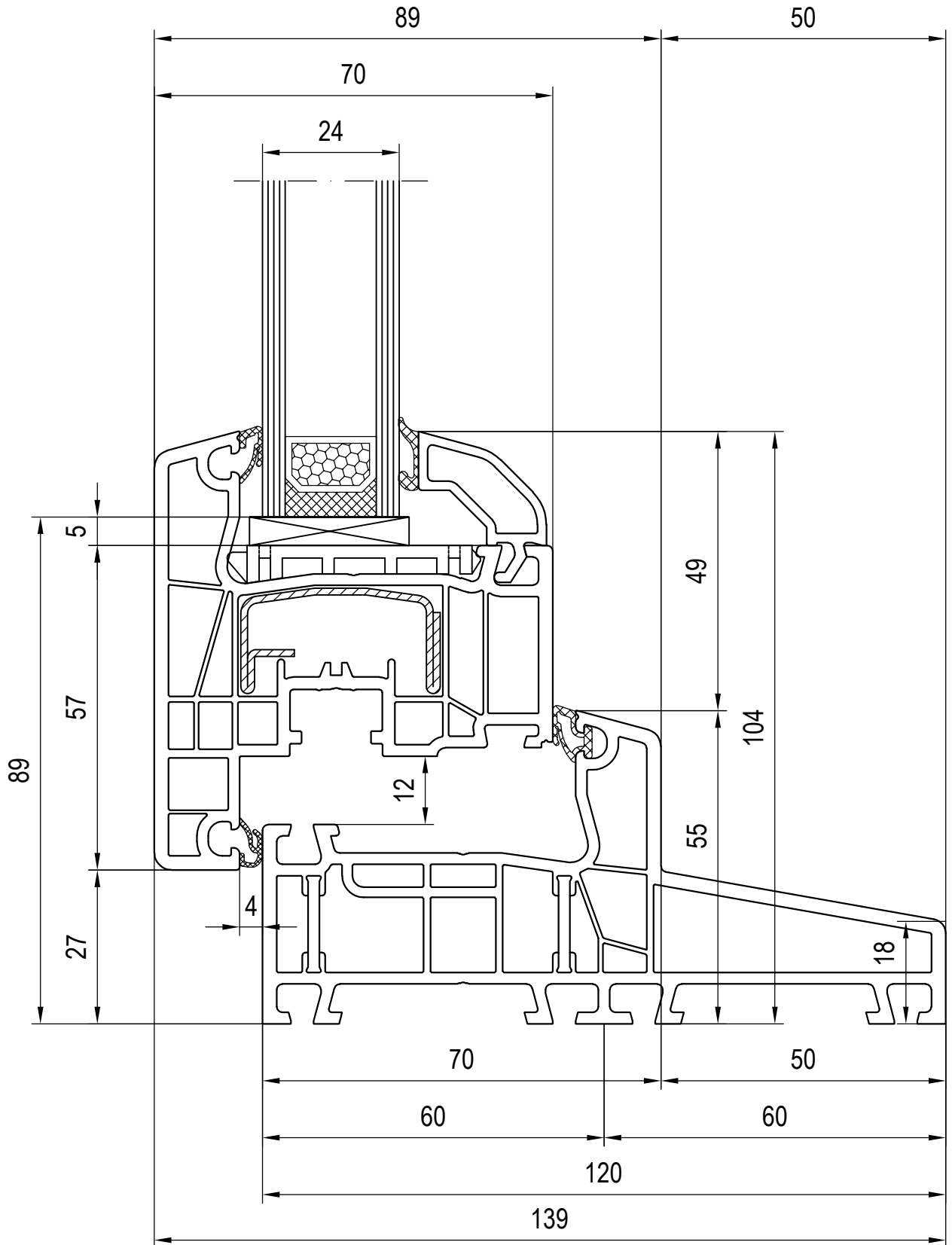
Scale 1:1

03\_D\_01\_4\*

en May be subject to change and errors excepted!

Combinations: frame - sash  
120846/120876 Glazing bead

Frame 040x92  
Sash 140x35



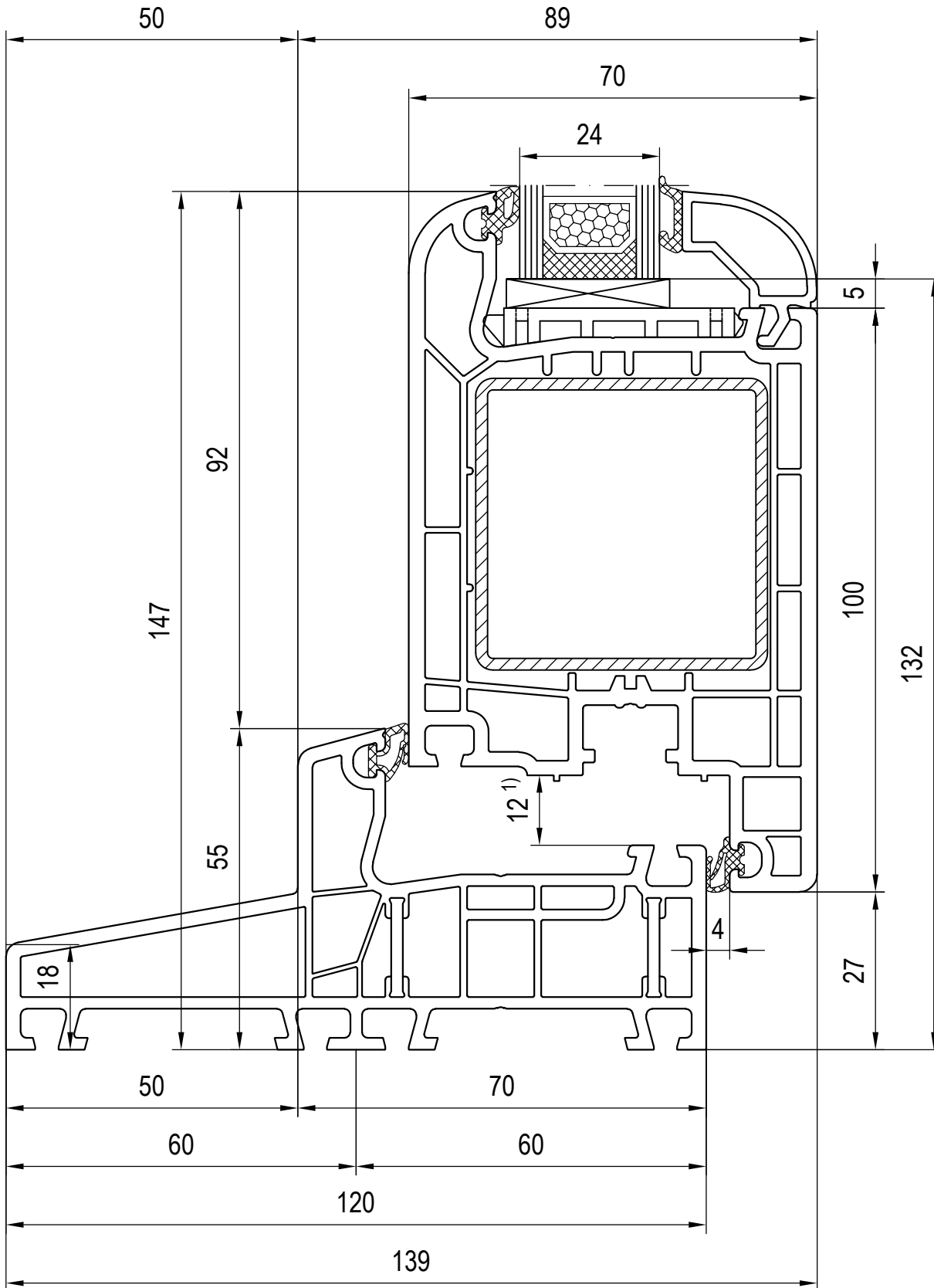
Scale 1:1

03\_D\_01\_4\*

en May be subject to change and errors excepted!

Combinations: frame - sash  
120846/120876 Glazing bead

Frame 040x92  
Sash 140x37



1) Rebate clearance of main entrance door on left and right side = 13 mm

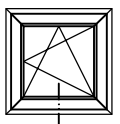
Scale 1:1

03\_D\_01\_4\*

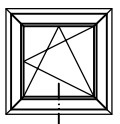
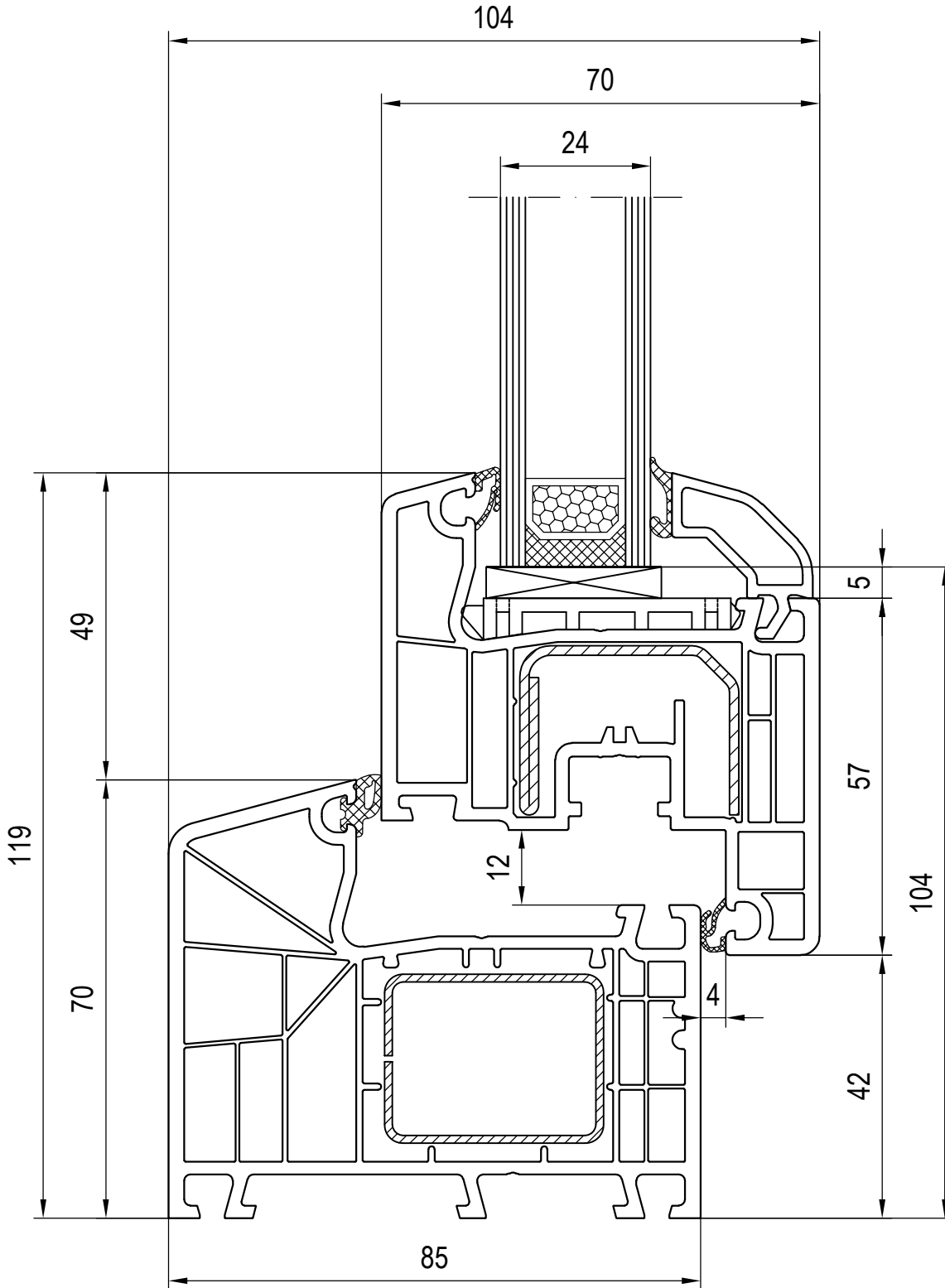
en May be subject to change and errors excepted!

Combinations: frame - sash  
120850/120880 Glazing bead

Frame 040x92  
Sash 140x38







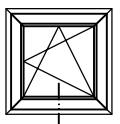
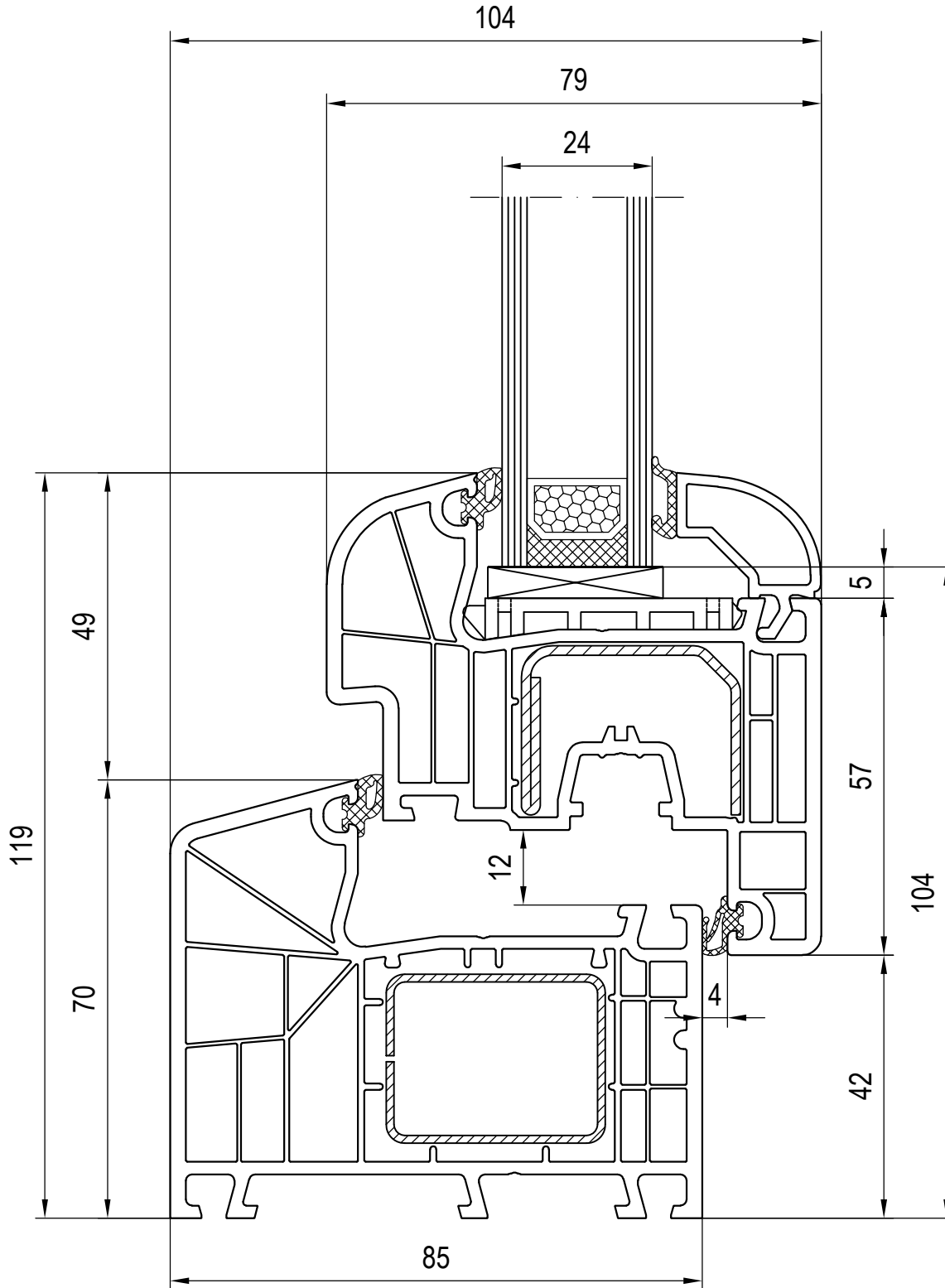
Scale 1:1

03\_D\_01\_4\*

en May be subject to change and errors excepted!

Combinations: frame - sash  
120846/120876 Glazing bead

Frame 140x00  
Sash 140x20



Scale 1:1

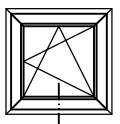
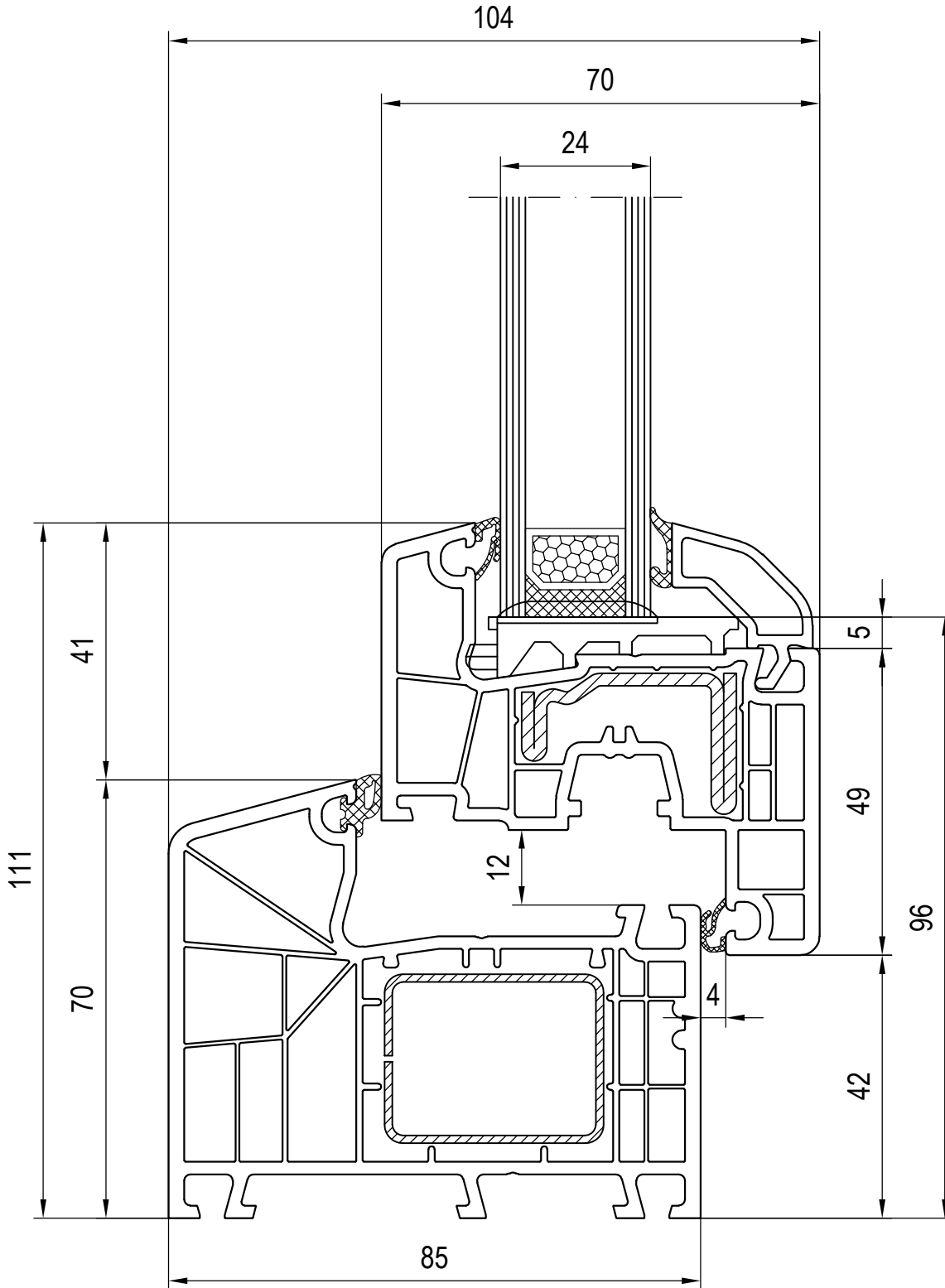
03\_D\_01\_4\*

en May be subject to change and errors excepted!

Combinations: frame - sash  
120850/120880 Glazing bead

Frame 140x00

Sash 140x22



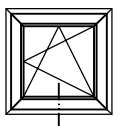
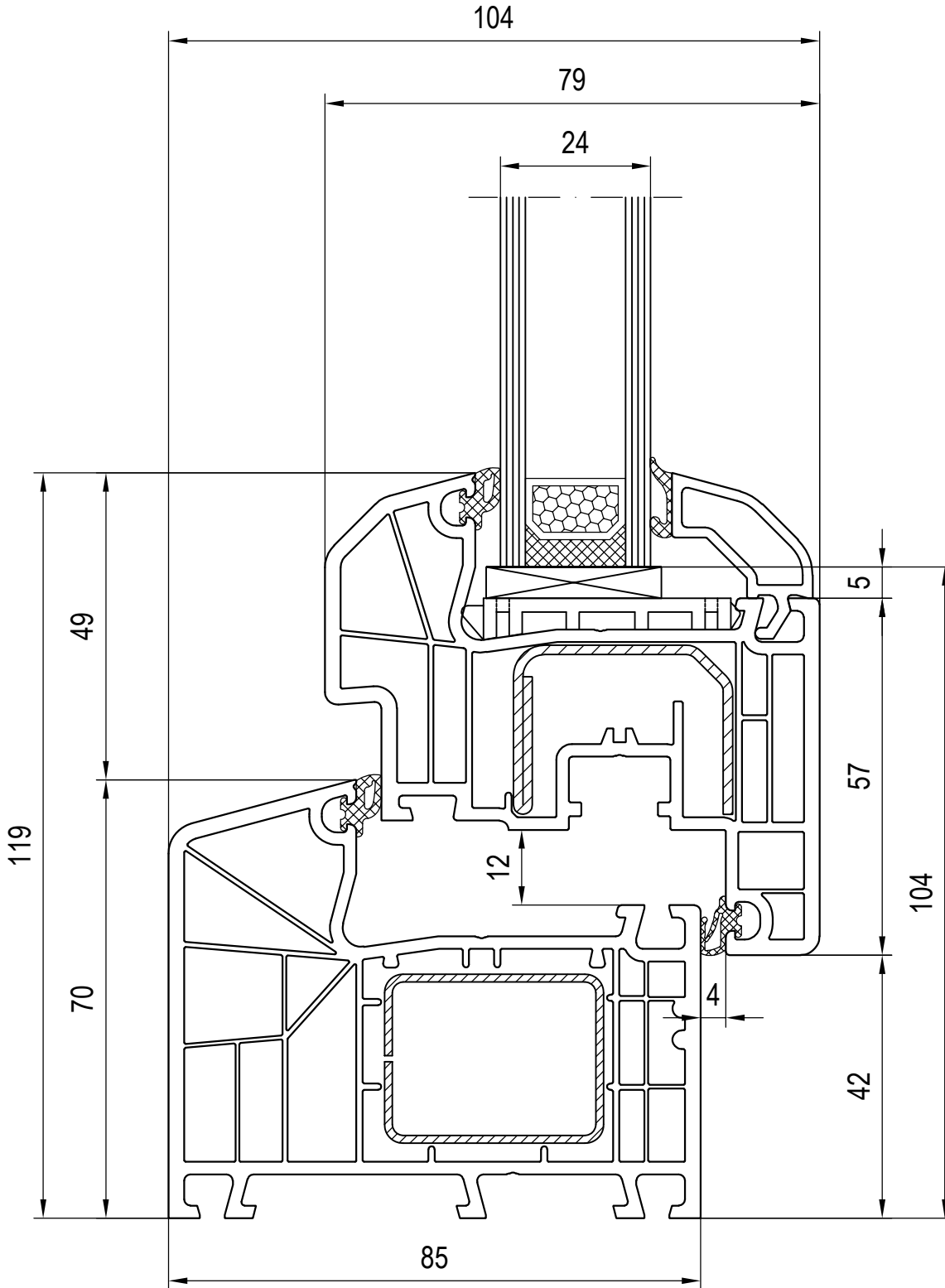
Scale 1:1

03\_D\_01\_4\*

en May be subject to change and errors excepted!

Combinations: frame - sash  
120846/120876 Glazing bead

Frame 140x00  
Sash 140x24



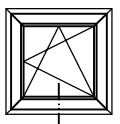
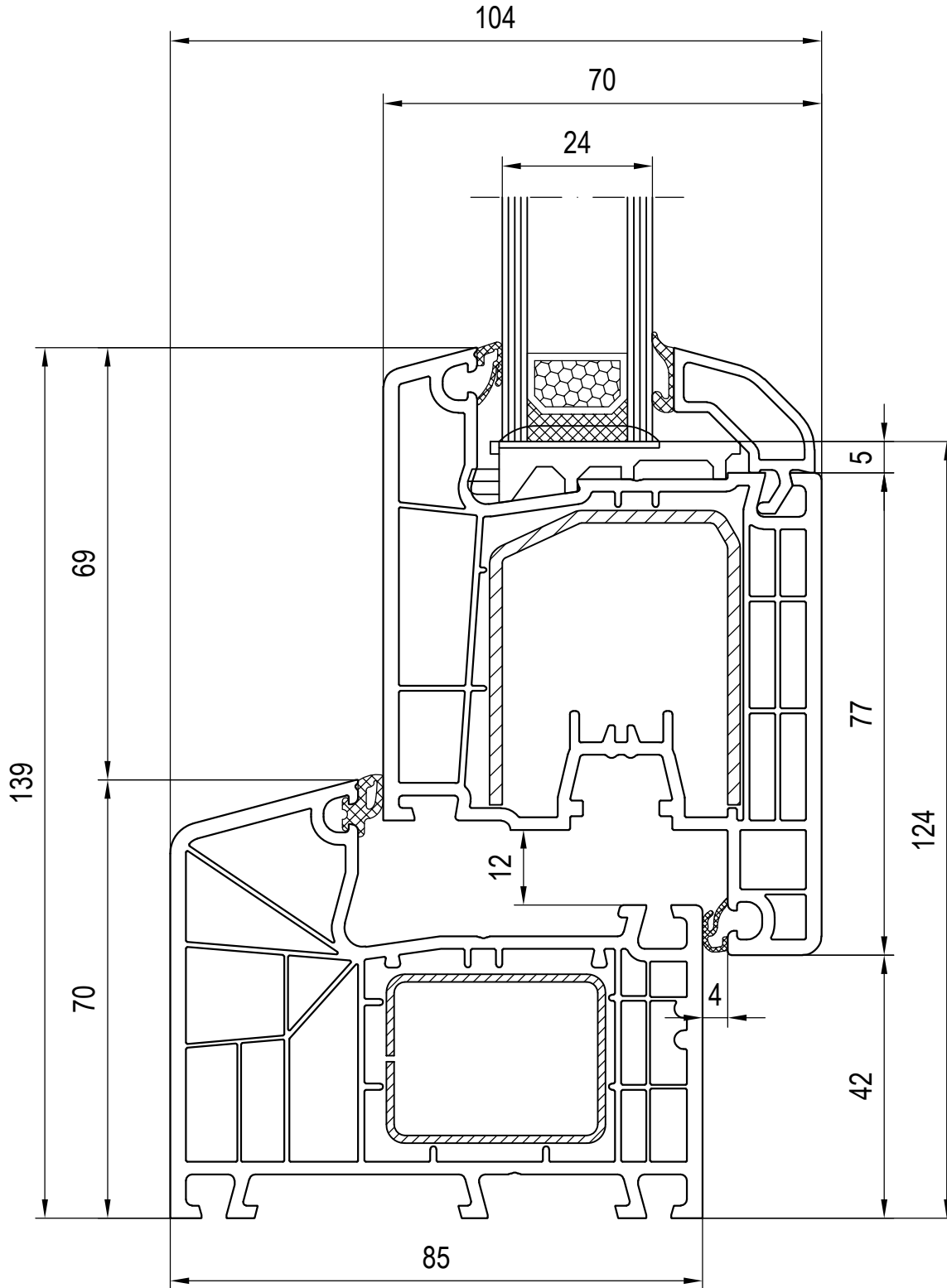
Scale 1:1

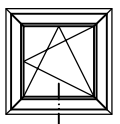
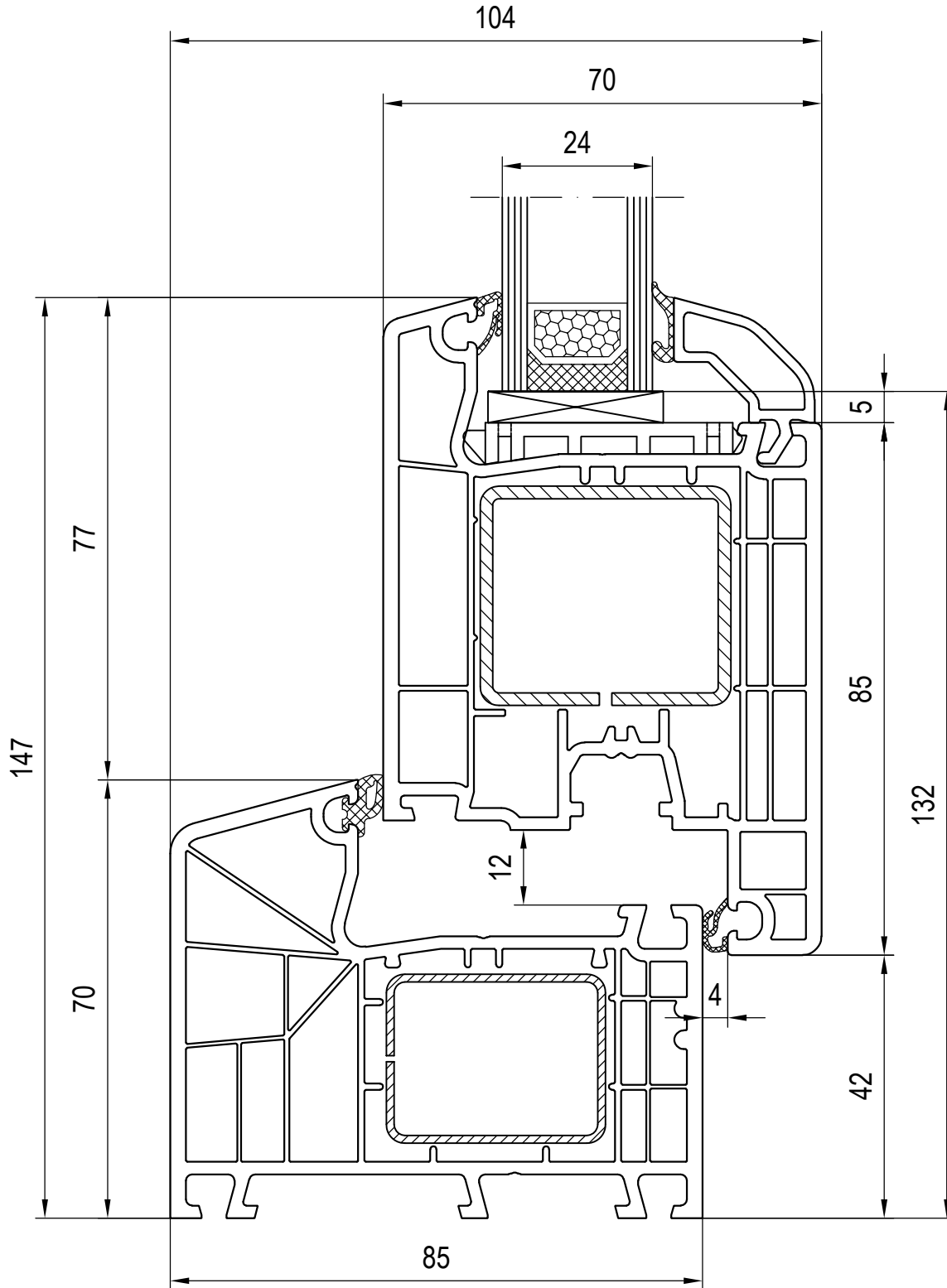
03\_D\_01\_4\*

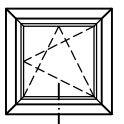
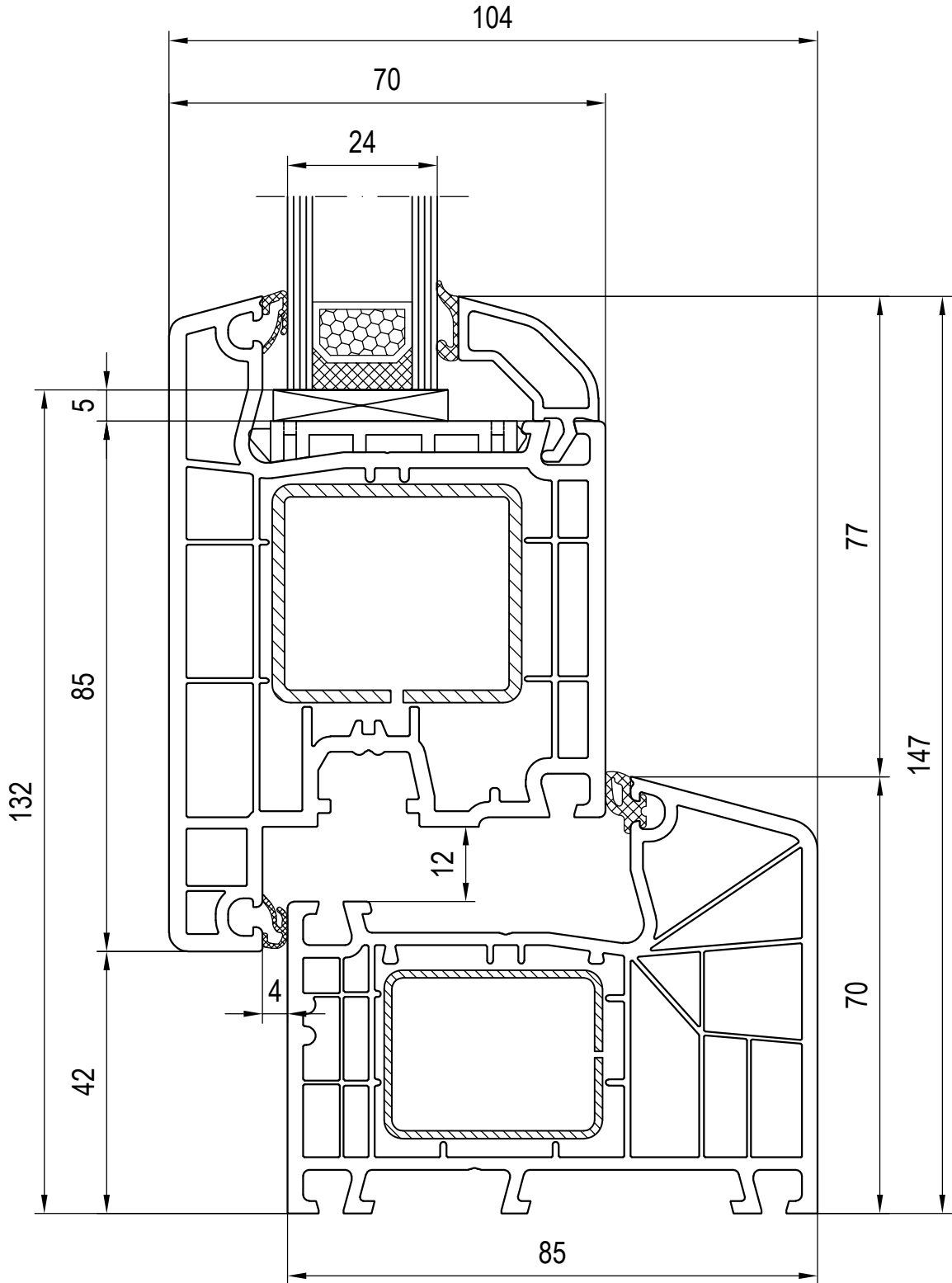
en May be subject to change and errors excepted!

Combinations: frame - sash  
120846/120876 Glazing bead

Frame 140x00  
Sash 140x26







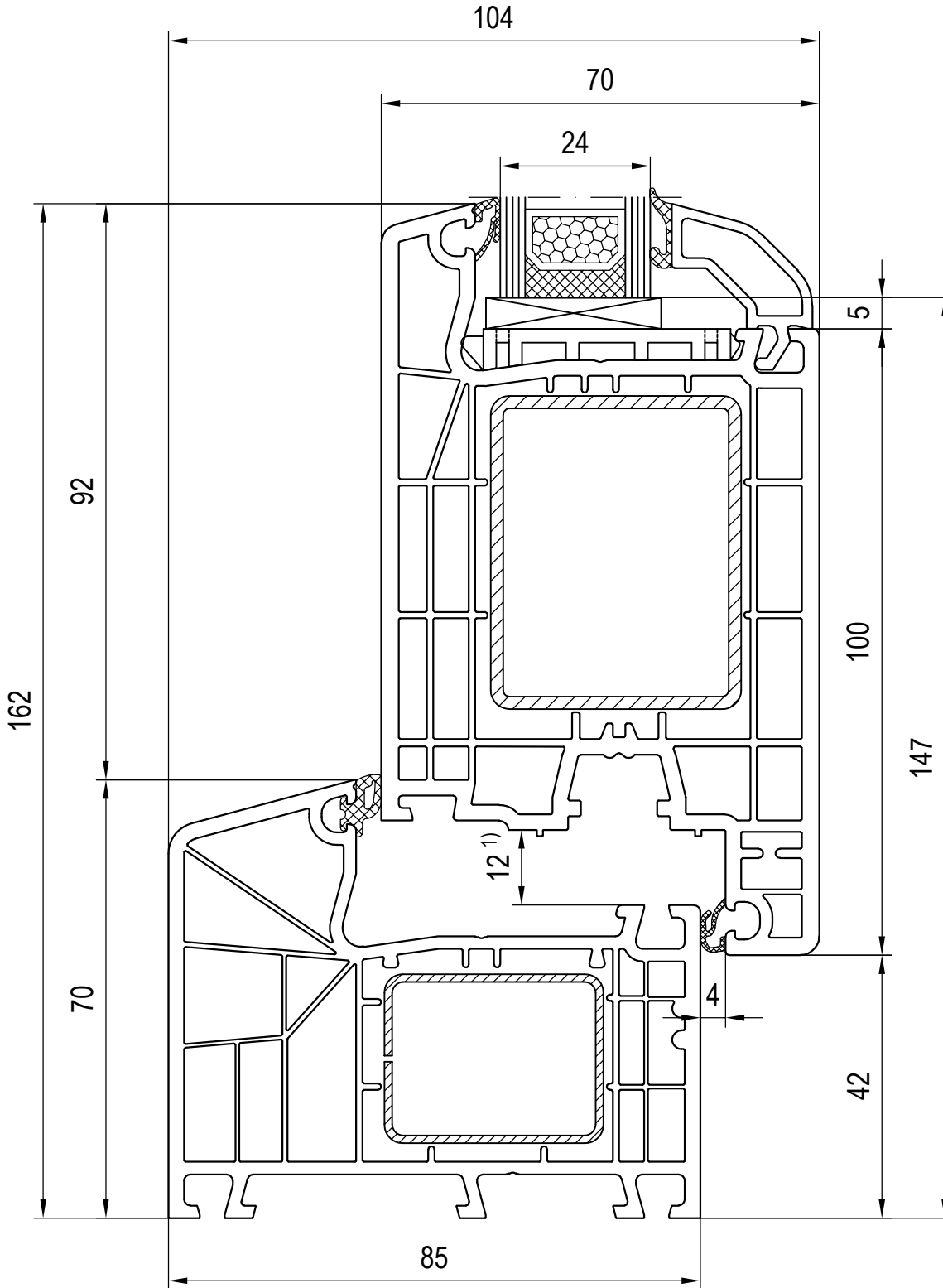
Scale 1:1

03\_D\_01\_4\*

en May be subject to change and errors excepted!

Combinations: frame - sash  
120846/120876 Glazing bead

Frame 140x00  
Sash 140x31



1) Rebate clearance of main entrance door on left and right side = 13 mm

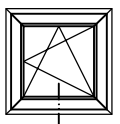
Scale 1:1

03\_D\_01\_4\*

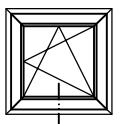
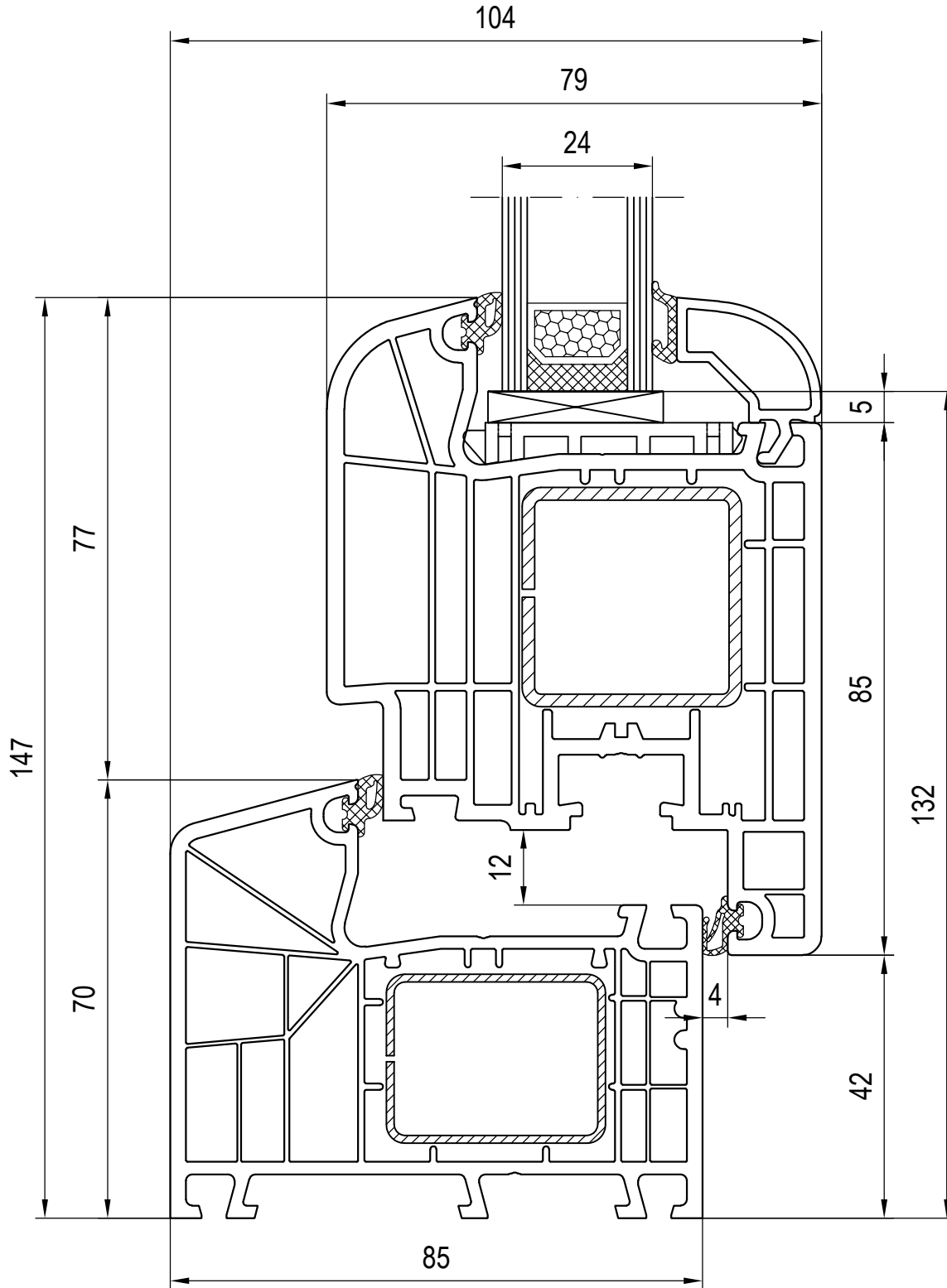
en May be subject to change and errors excepted!

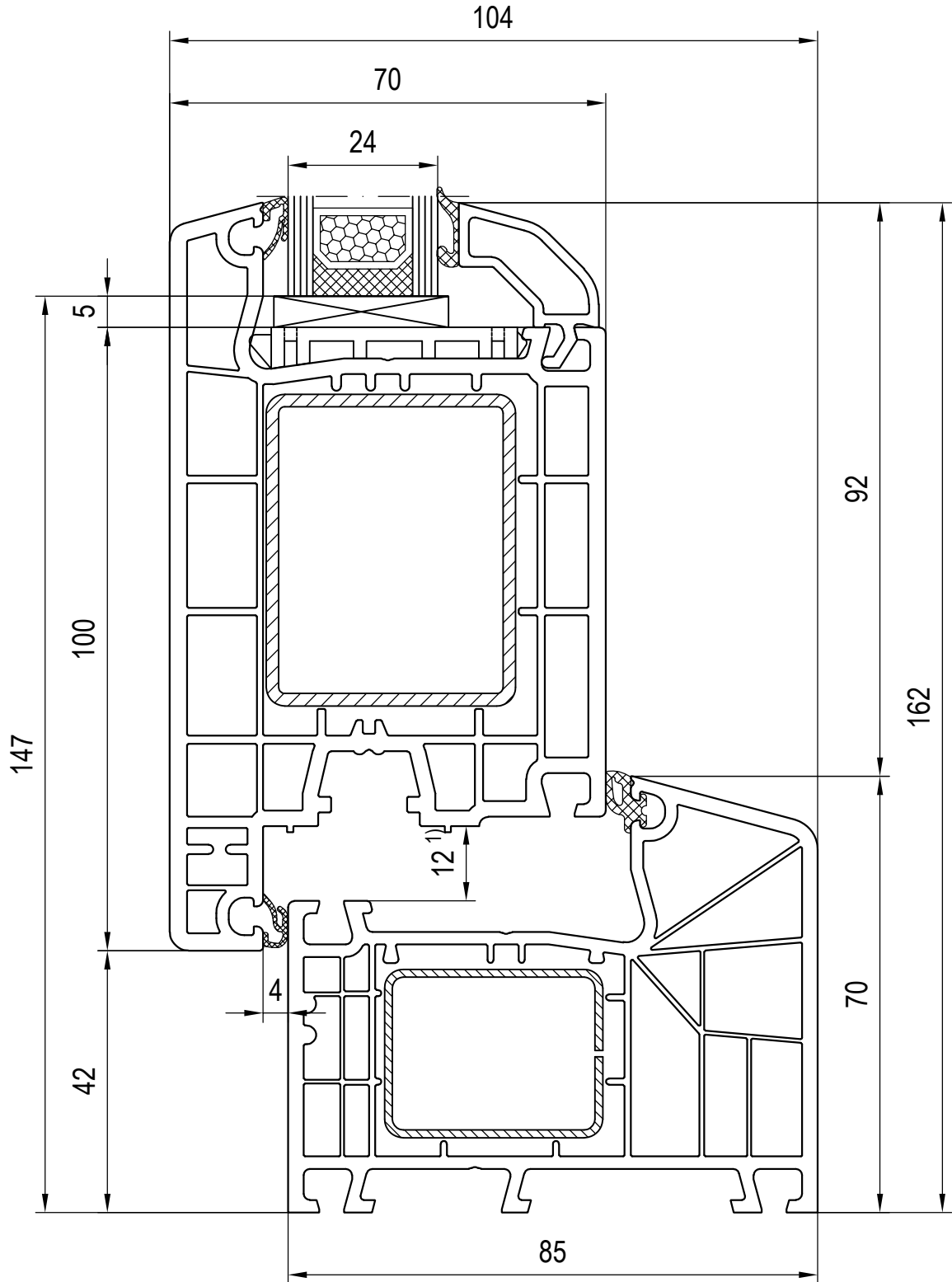
Combinations: frame - sash  
120846/120876 Glazing bead

Frame 140x00  
Sash 140x33









1) Rebate clearance of main entrance door on left and right side = 13 mm

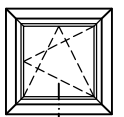
Scale 1:1

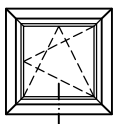
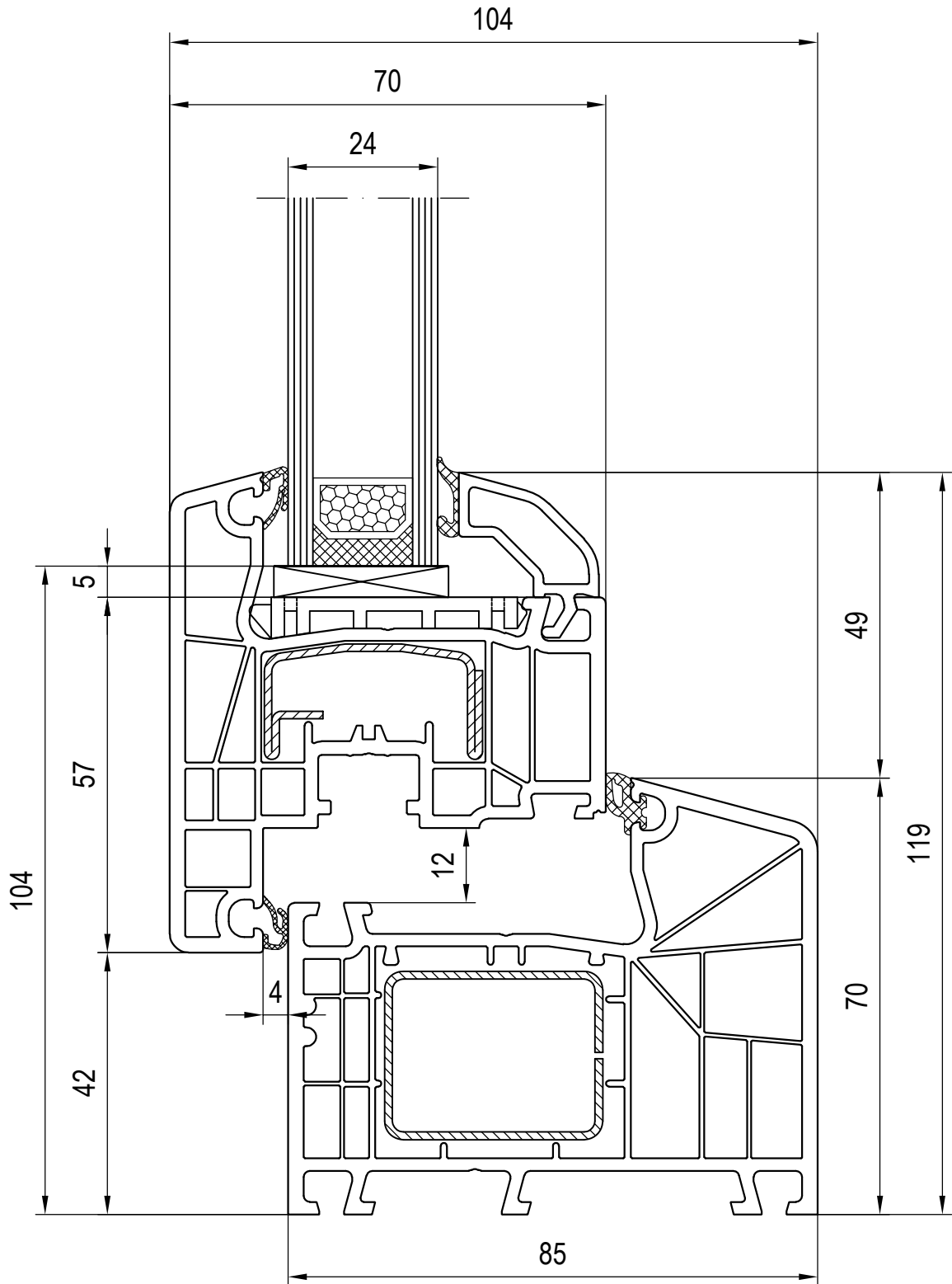
03\_D\_01\_4\*

en May be subject to change and errors excepted!

Combinations: frame - sash  
120846/120876 Glazing bead

Frame 140x00  
Sash 140x35





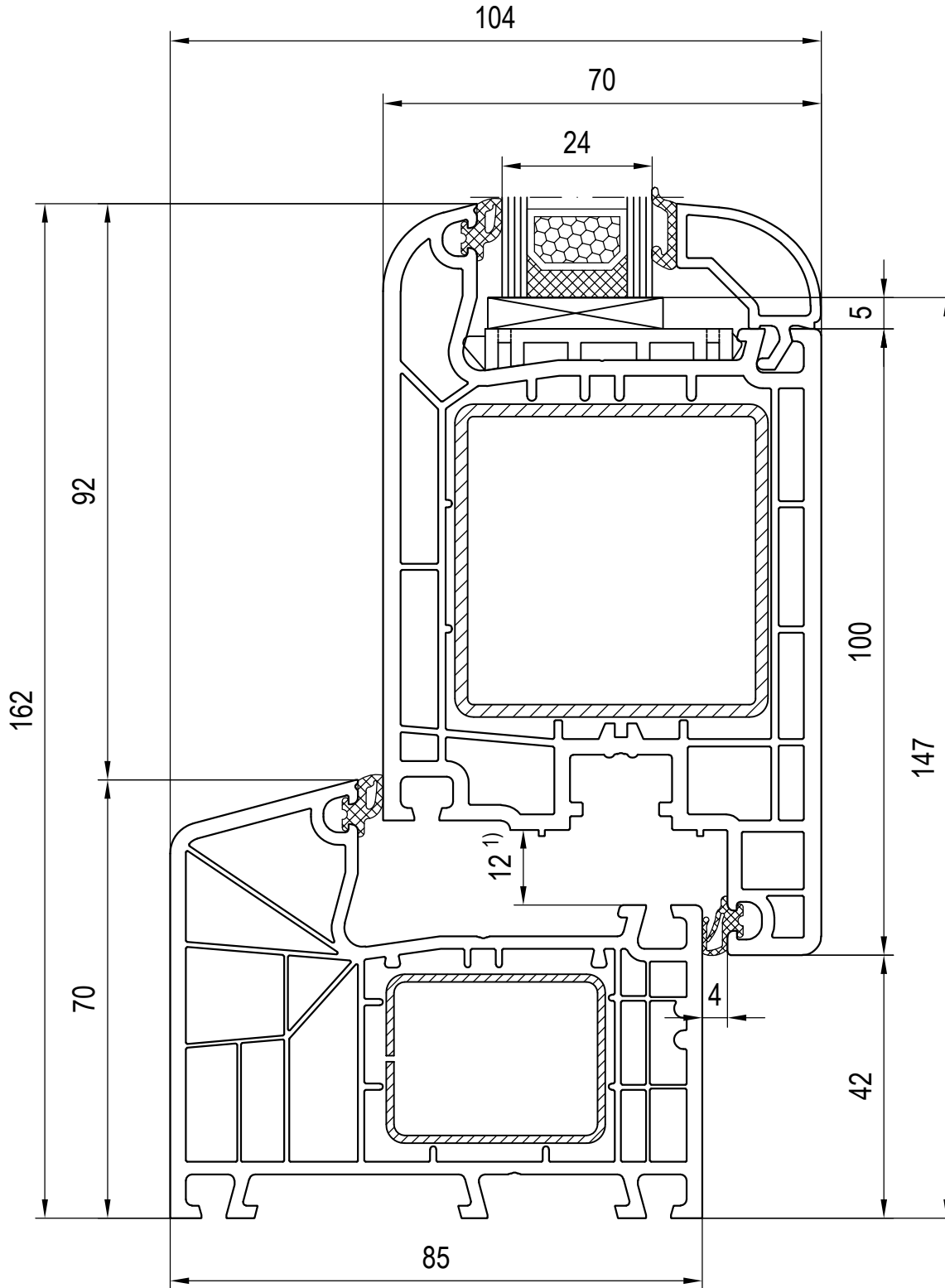
Scale 1:1

03\_D\_01\_4\*

en May be subject to change and errors excepted!

Combinations: frame - sash  
120846/120876 Glazing bead

Frame 140x00  
Sash 140x37



1) Rebate clearance of main entrance door on left and right side = 13 mm

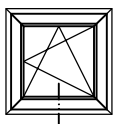
Scale 1:1

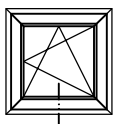
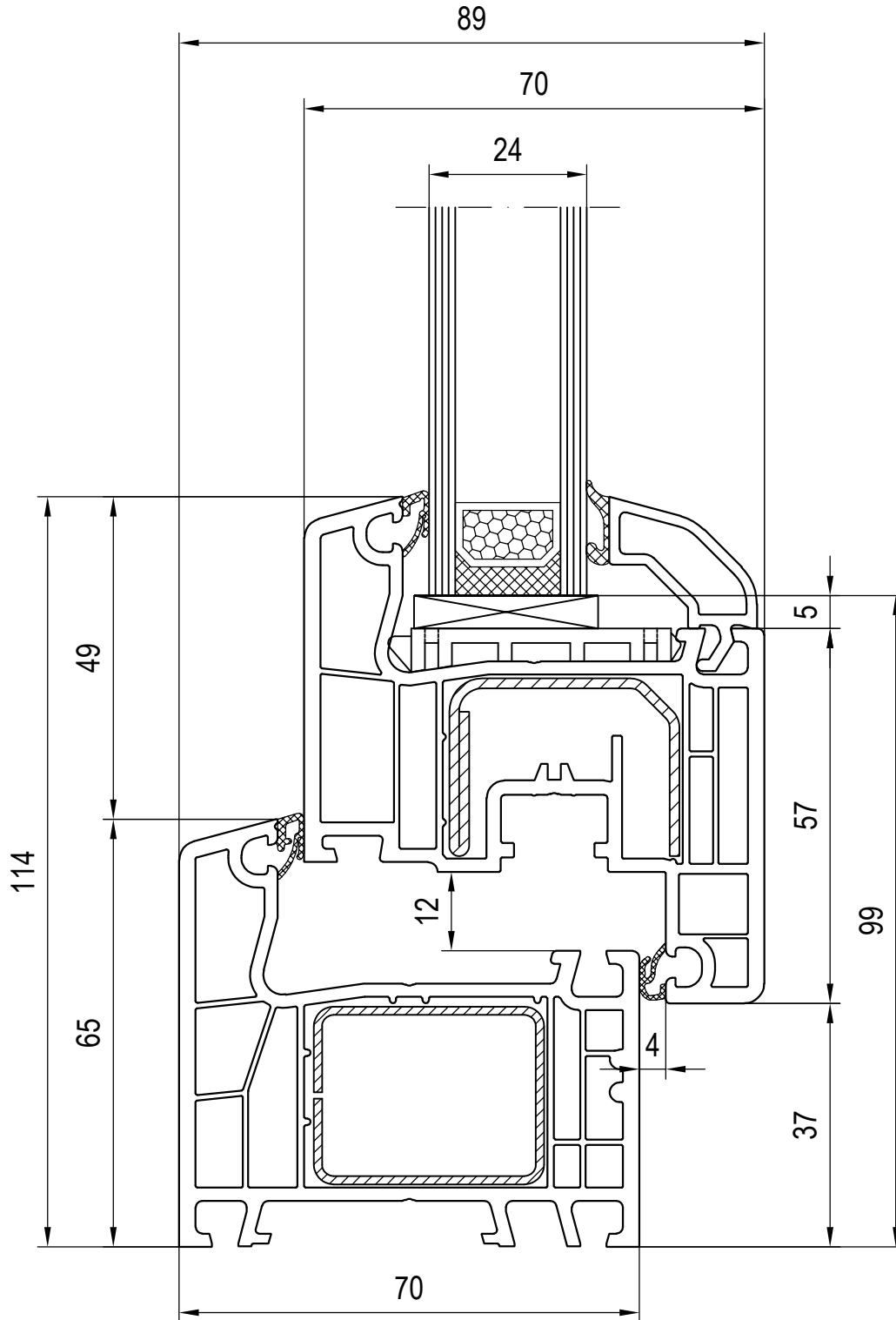
03\_D\_01\_4\*

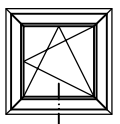
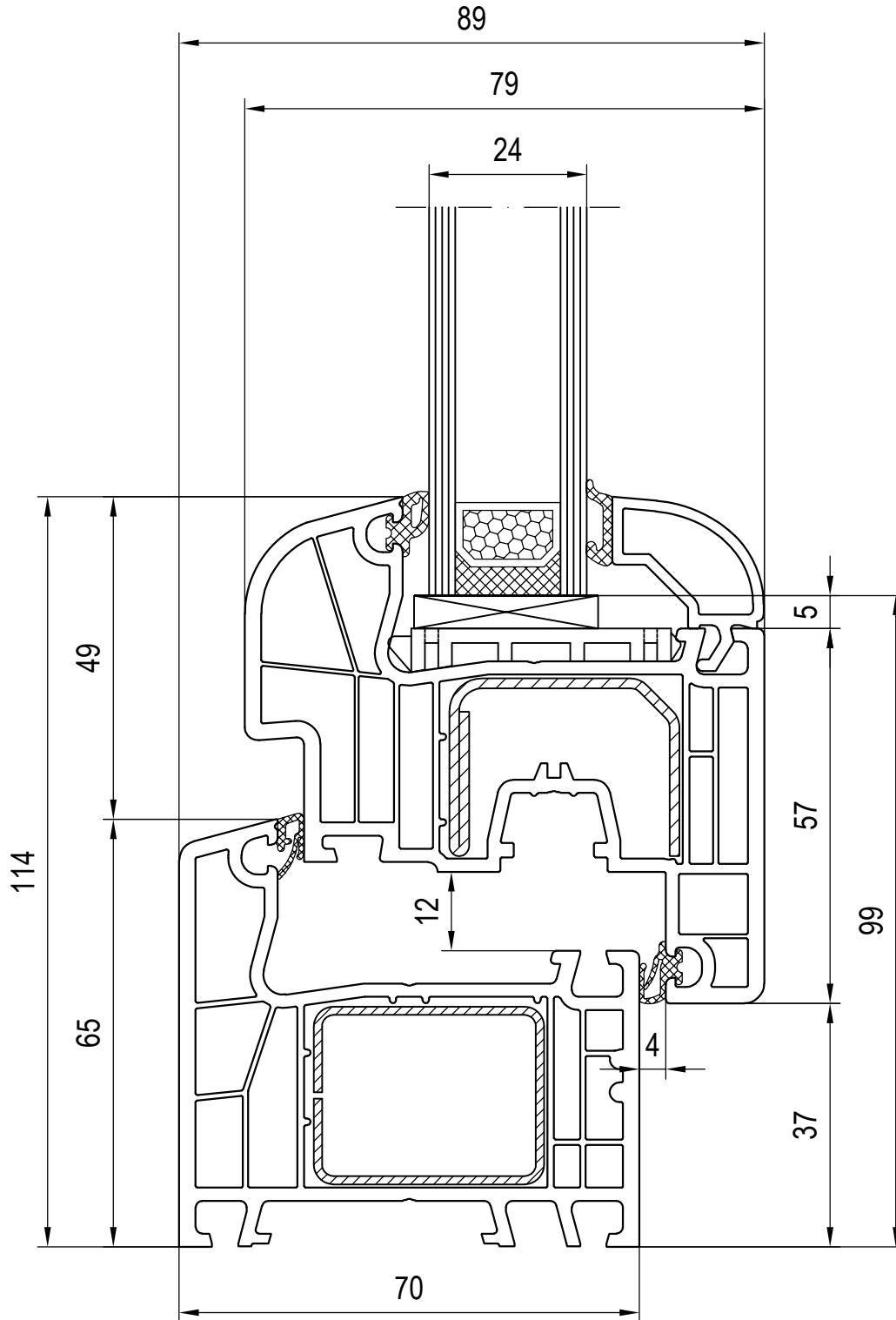
en May be subject to change and errors excepted!

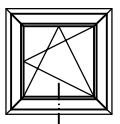
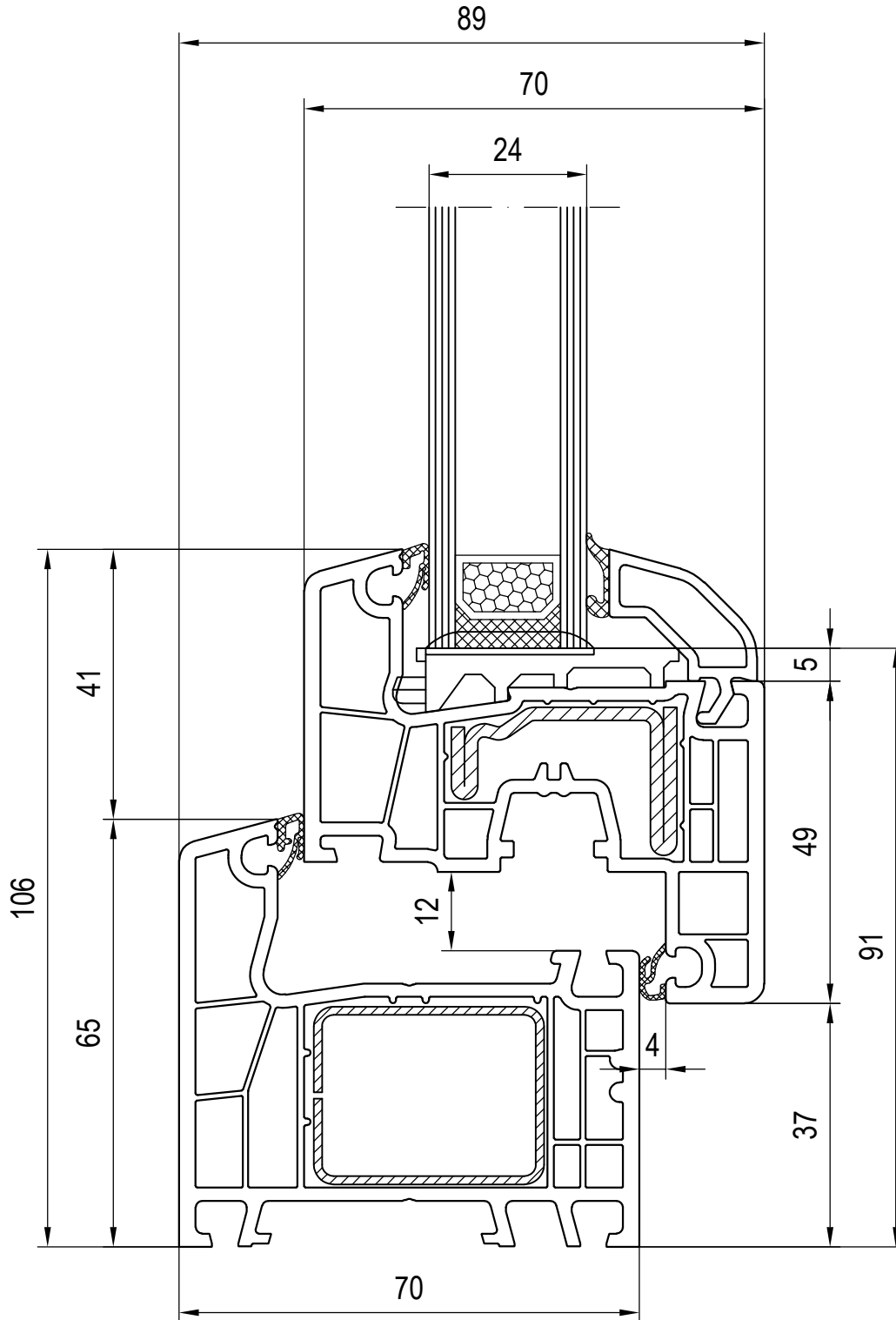
Combinations: frame - sash  
120850/120880 Glazing bead

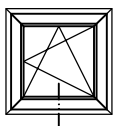
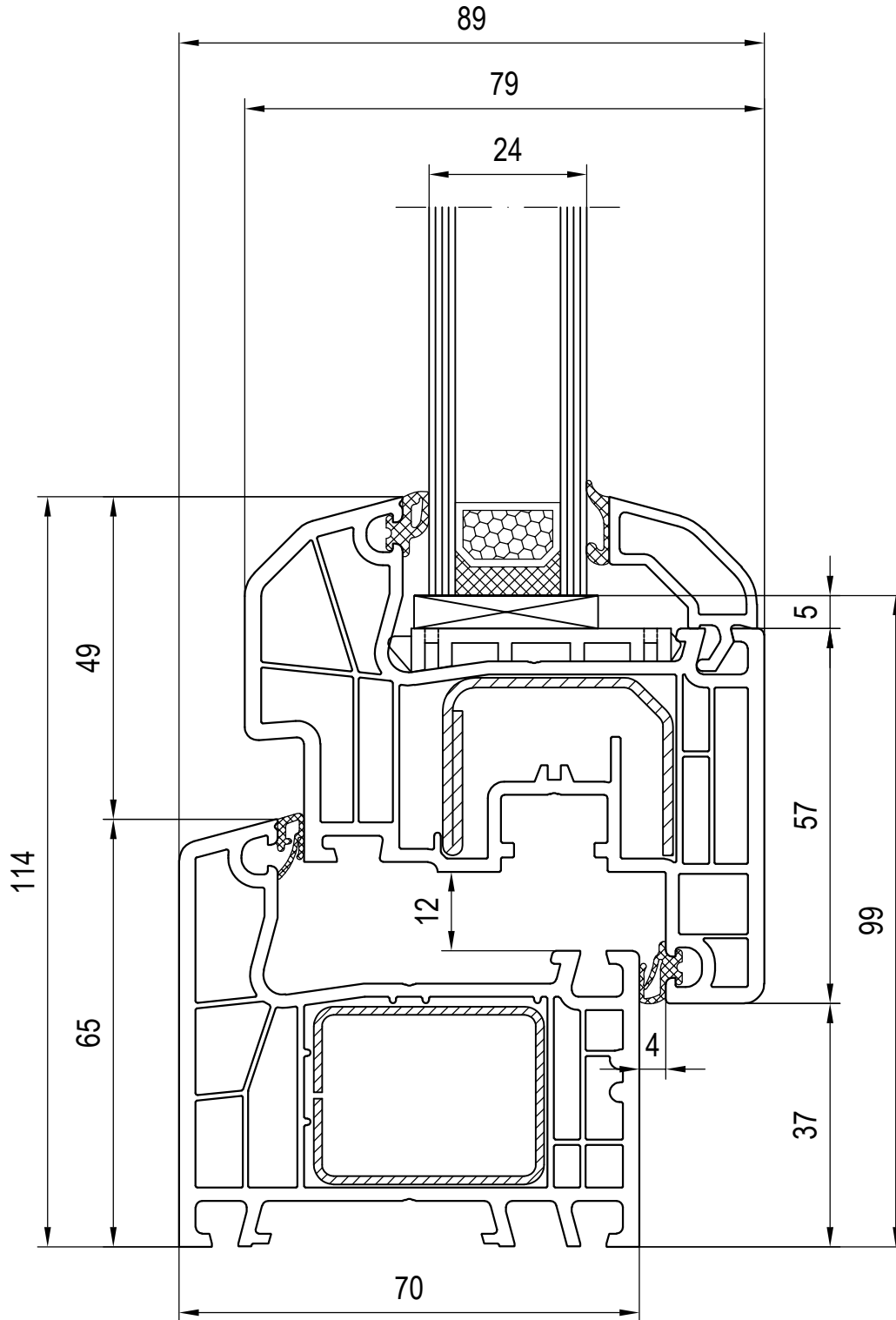
Frame 140x00  
Sash 140x38



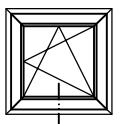
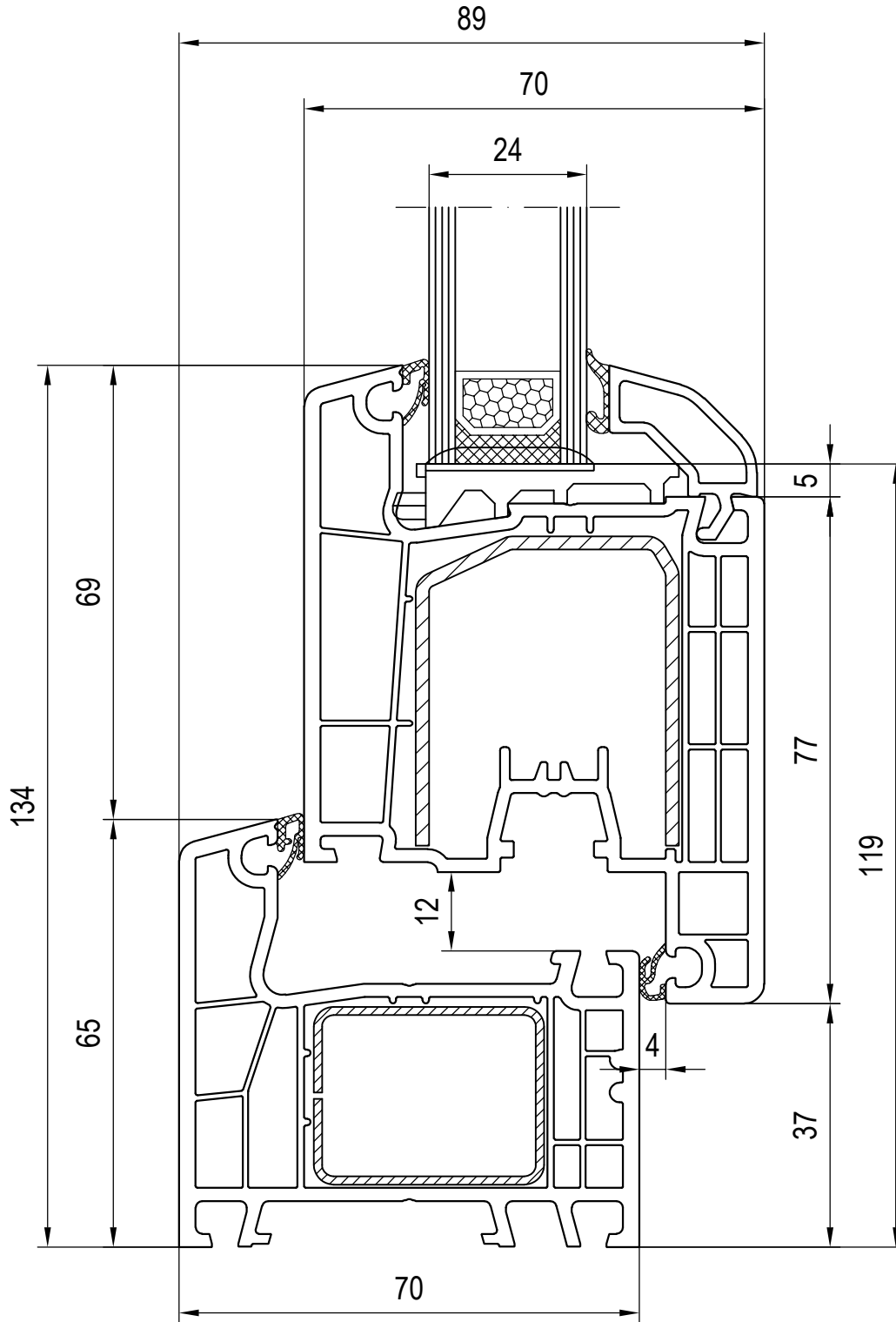












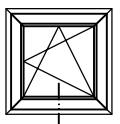
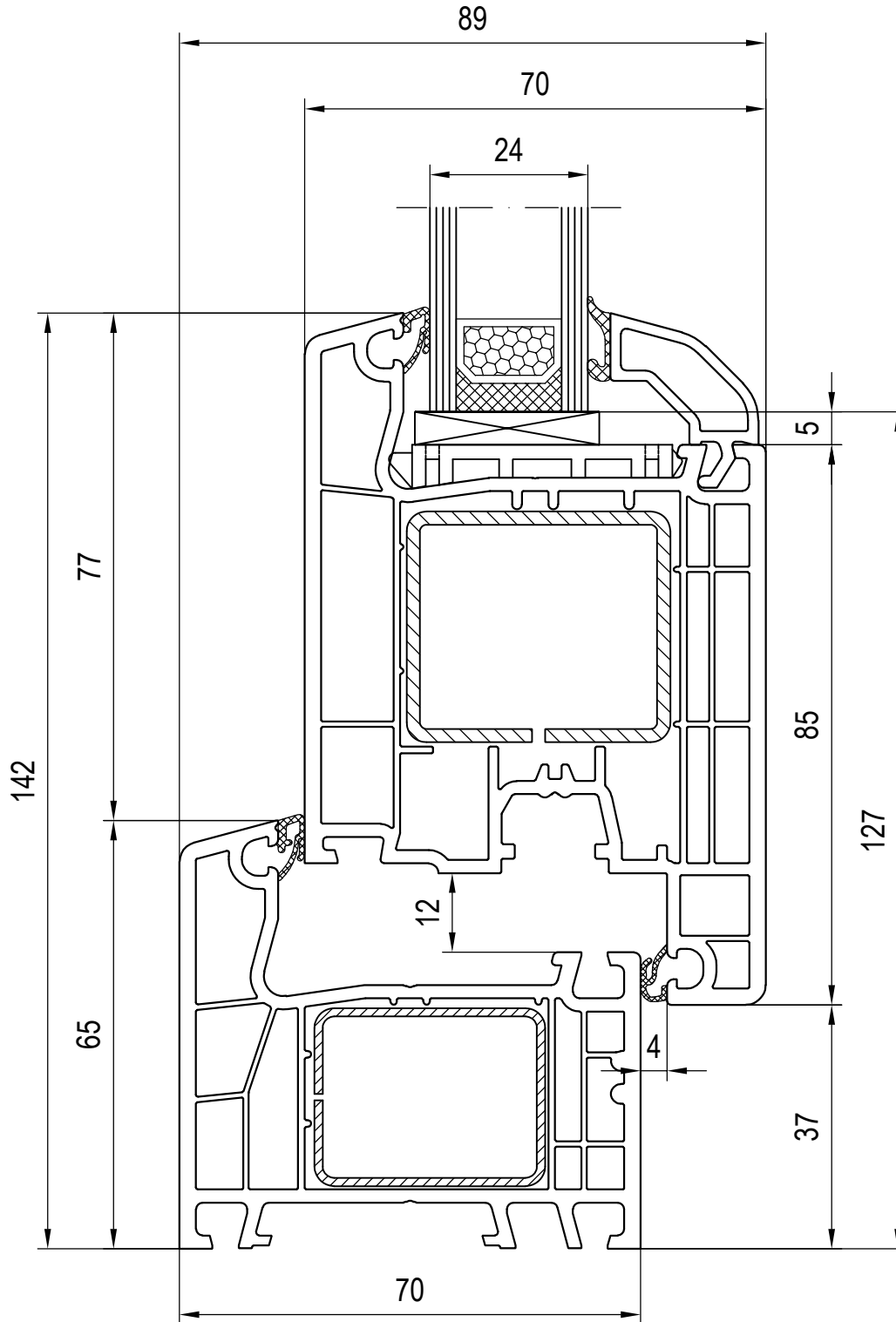
Scale 1:1

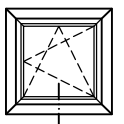
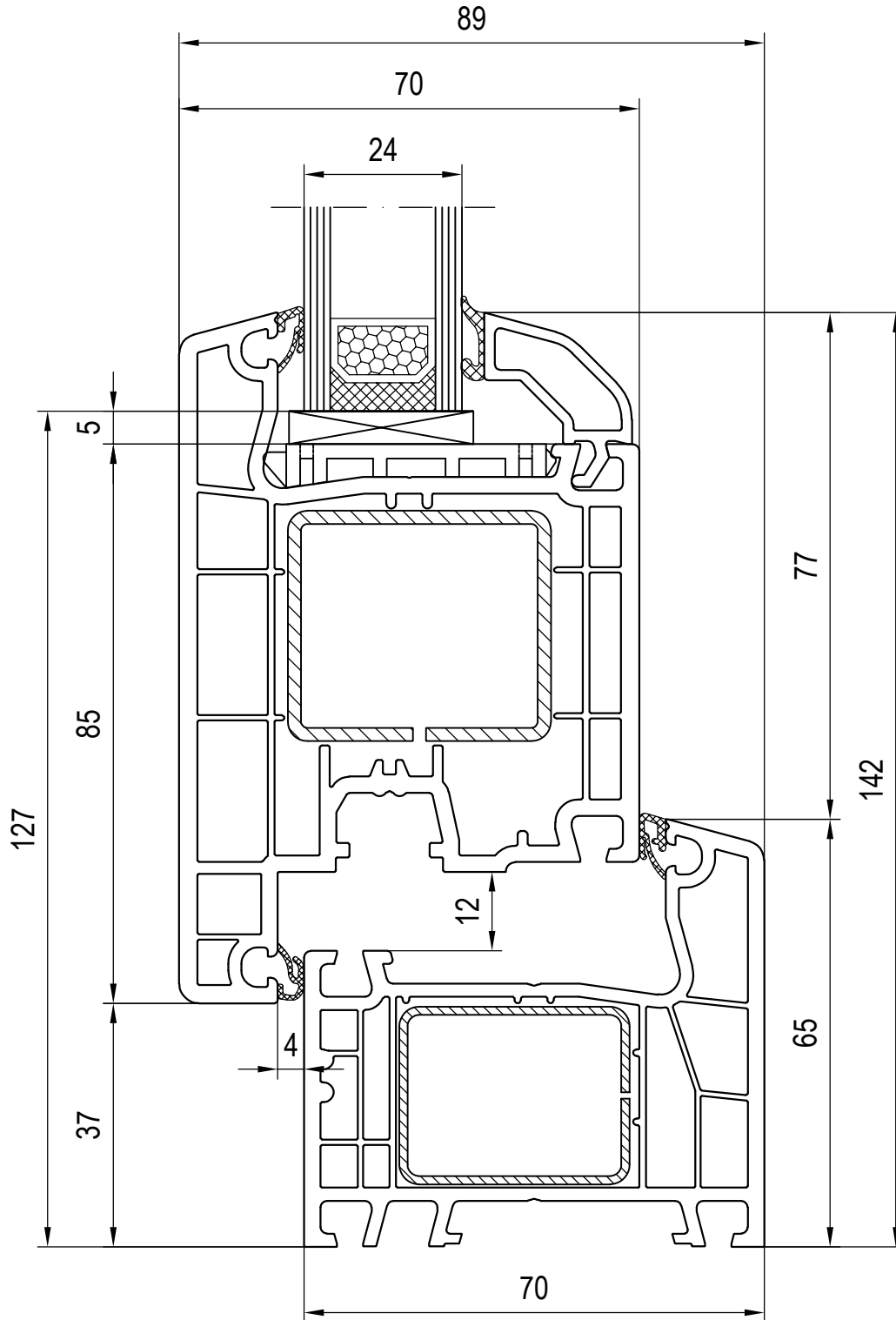
03\_D\_01\_4\*

en May be subject to change and errors excepted!

Combinations: frame - sash  
120846/120876 Glazing bead

Frame 140x01  
Sash 140x28





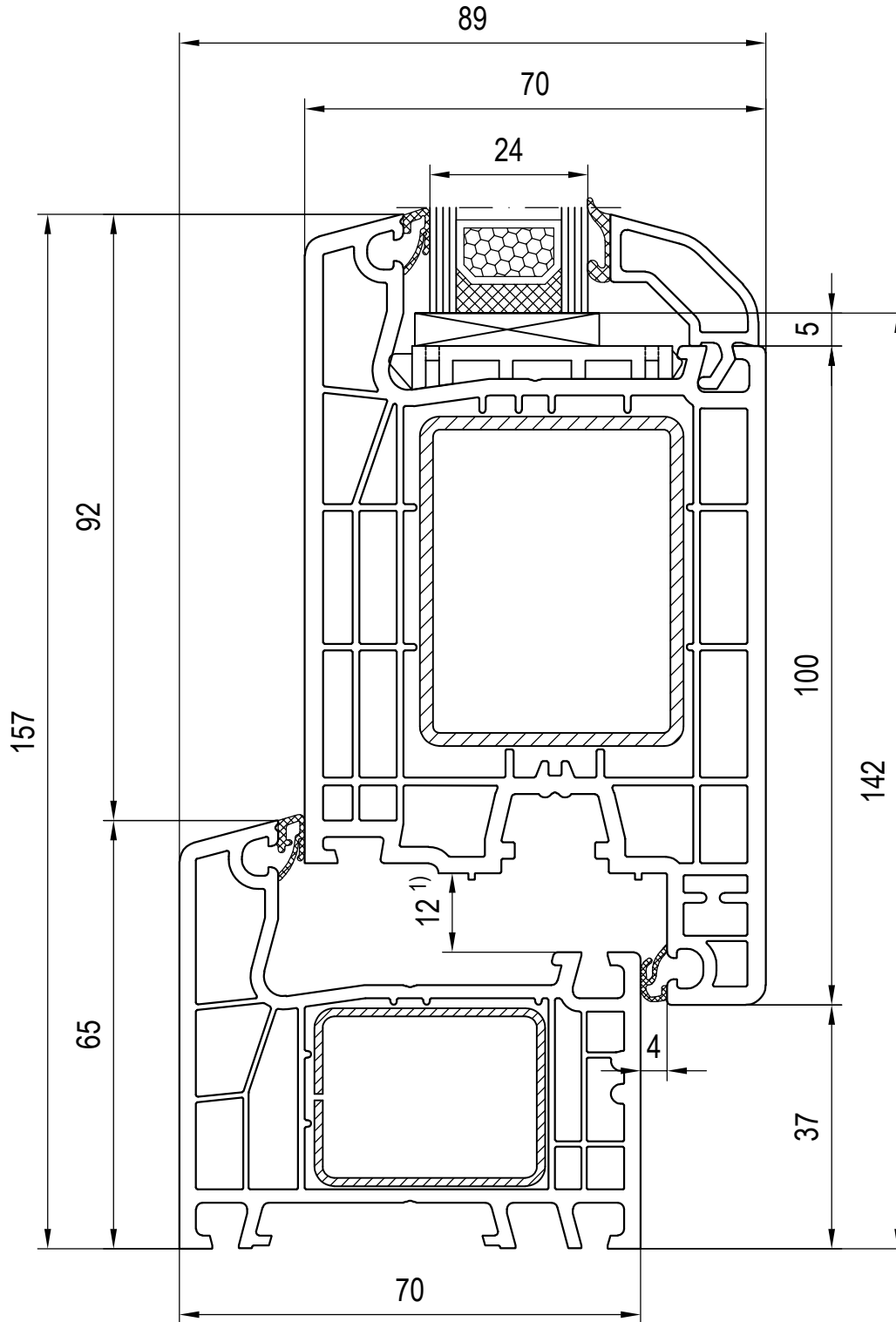
Scale 1:1

03\_D\_01\_4\*

en May be subject to change and errors excepted!

Combinations: frame - sash  
120846/120876 Glazing bead

Frame 140x01  
Sash 140x31



1) Rebate clearance of main entrance door on left and right side = 13 mm

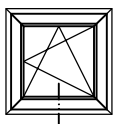
Scale 1:1

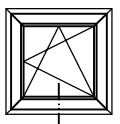
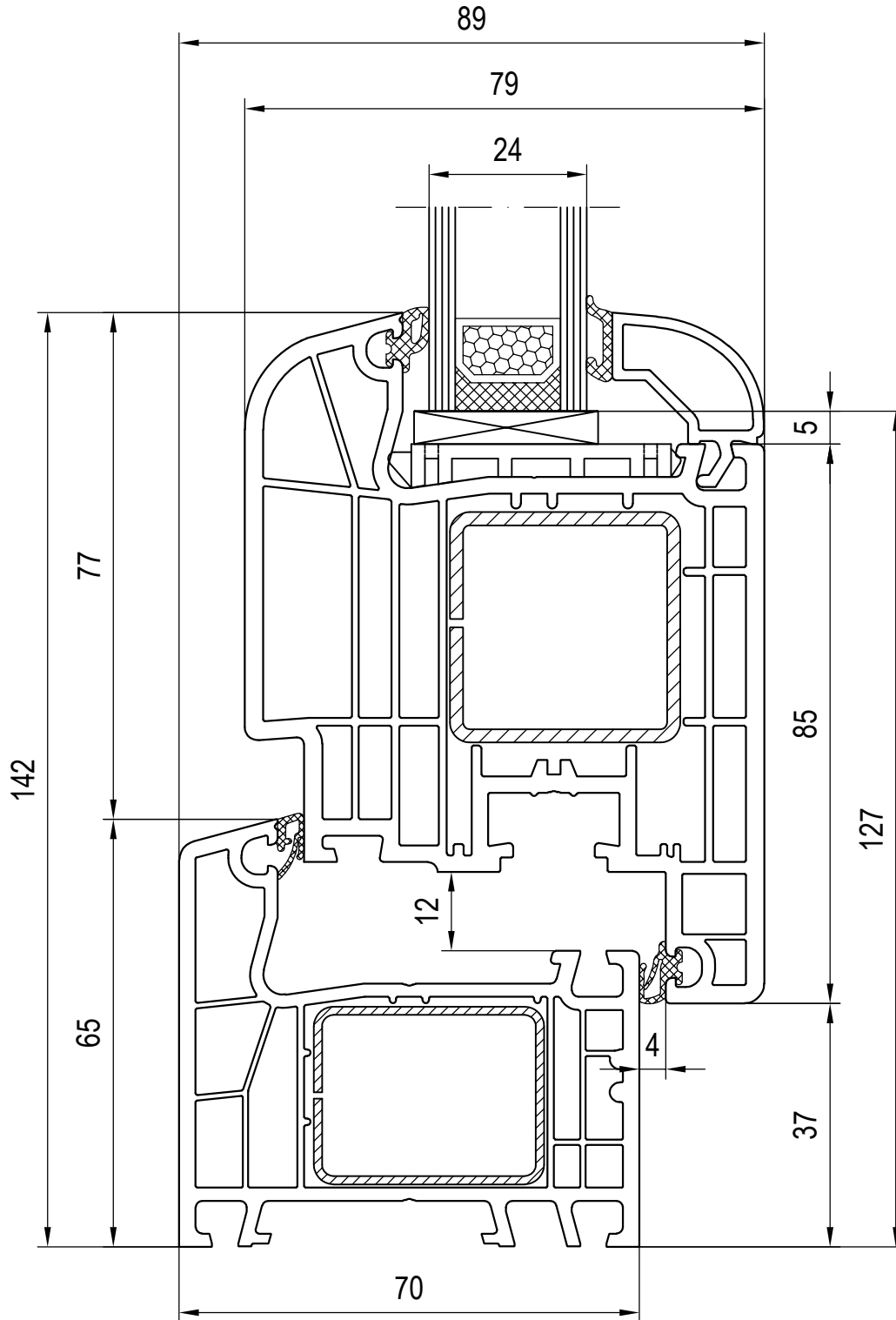
03\_D\_01\_4\*

en May be subject to change and errors excepted!

Combinations: frame - sash  
120846/120876 Glazing bead

Frame 140x01  
Sash 140x33





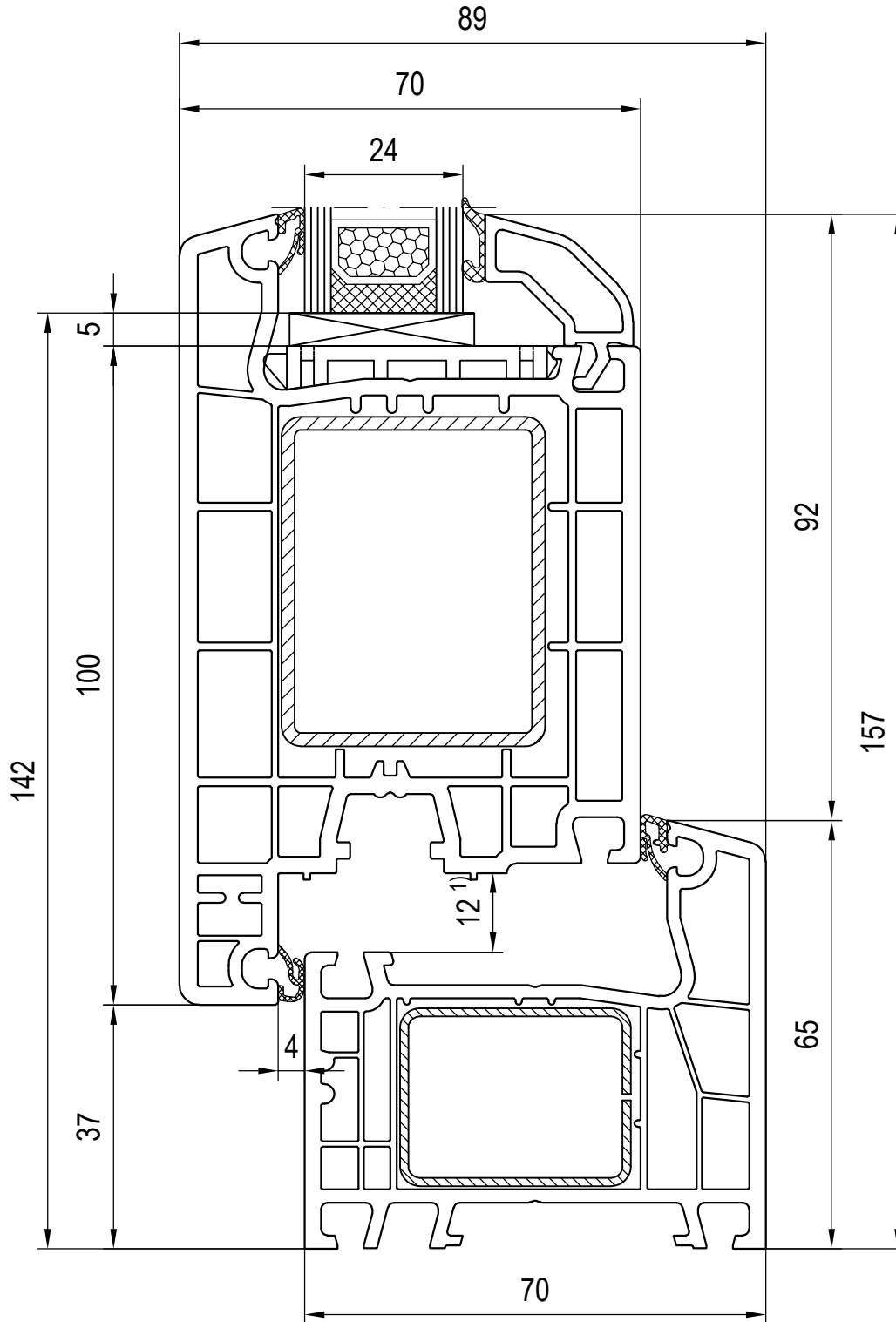
Scale 1:1

03\_D\_01\_4\*

en May be subject to change and errors excepted!

Combinations: frame - sash  
120850/120880 Glazing bead

Frame 140x01  
Sash 140x34



1) Rebate clearance of main entrance door on left and right side = 13 mm

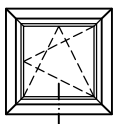
Scale 1:1

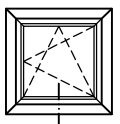
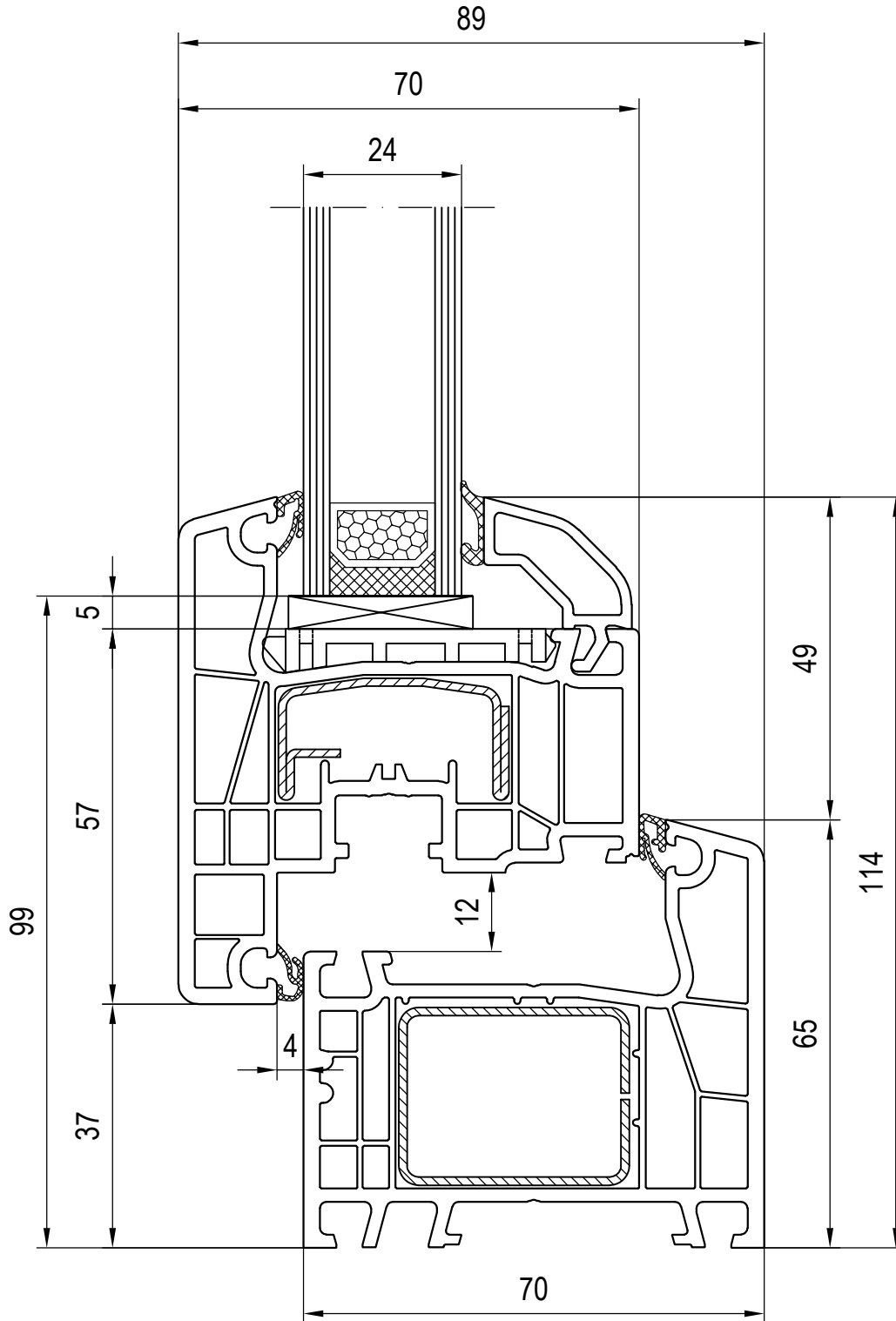
03\_D\_01\_4\*

en May be subject to change and errors excepted!

Combinations: frame - sash  
120846/120876 Glazing bead

Frame 140x01  
Sash 140x35





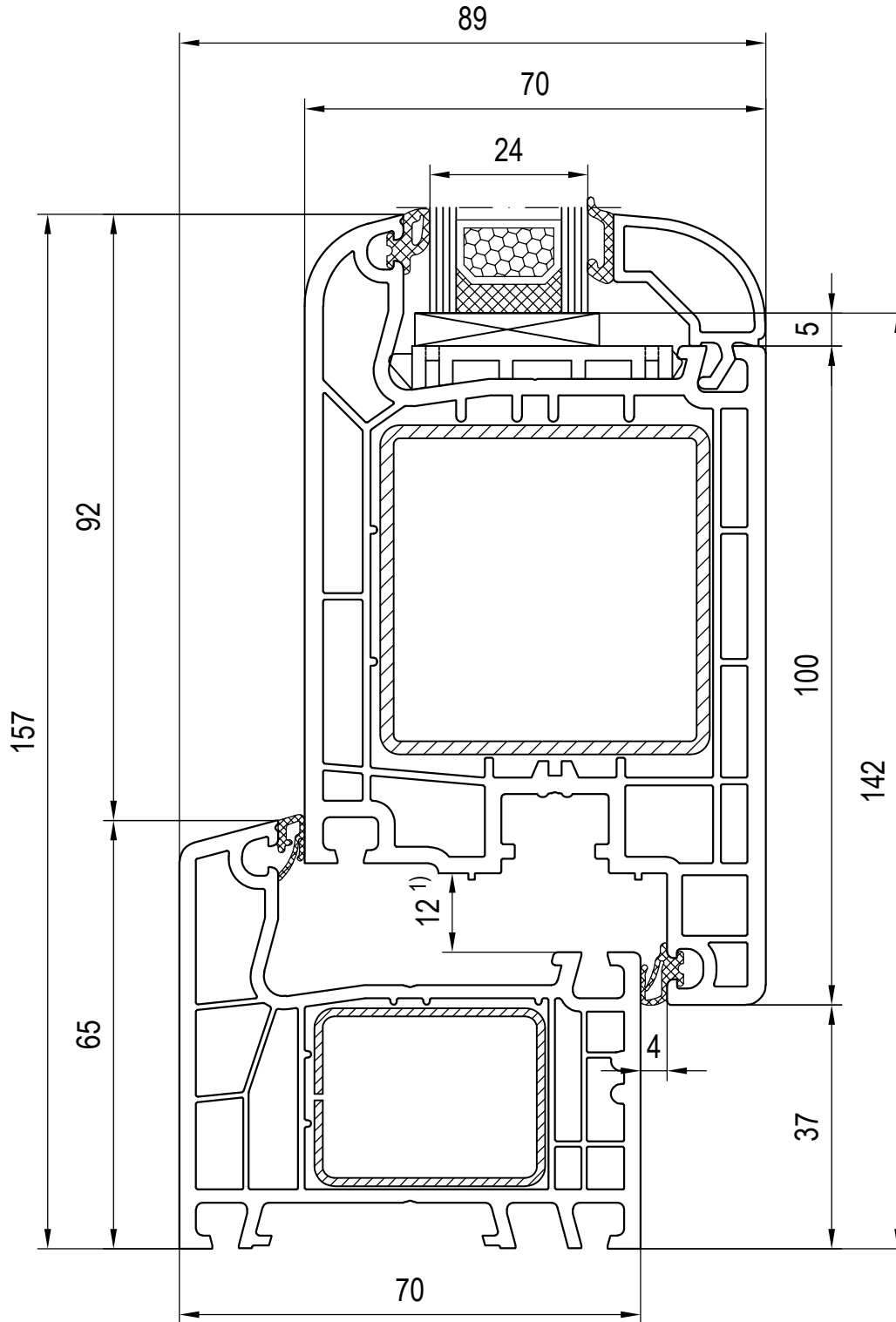
Scale 1:1

03\_D\_01\_4\*

en May be subject to change and errors excepted!

Combinations: frame - sash  
120846/120876 Glazing bead

Frame 140x01  
Sash 140x37



1) Rebate clearance of main entrance door on left and right side = 13 mm

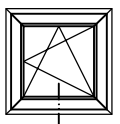
Scale 1:1

03\_D\_01\_4\*

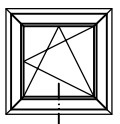
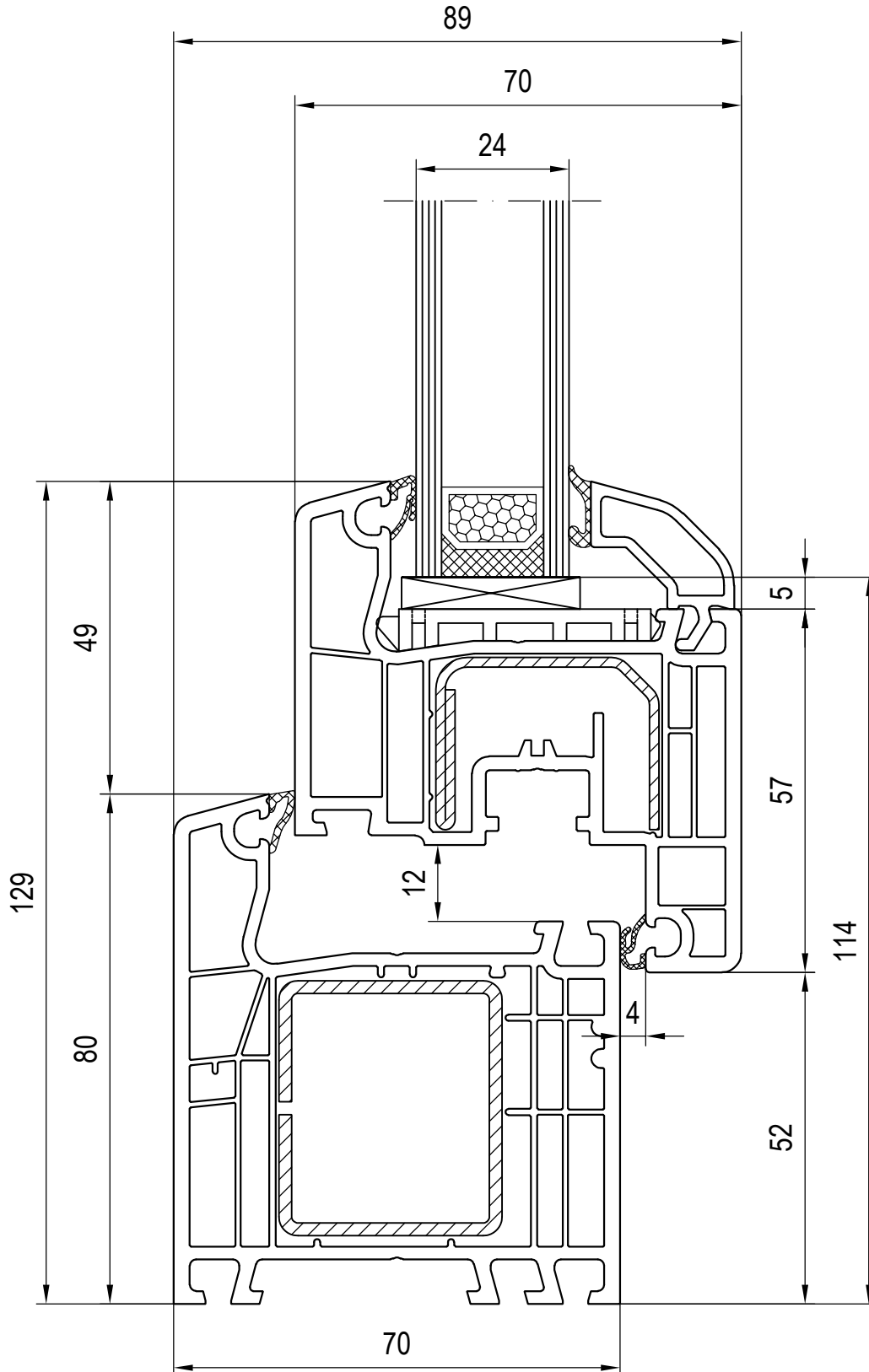
en May be subject to change and errors excepted!

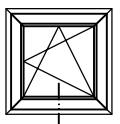
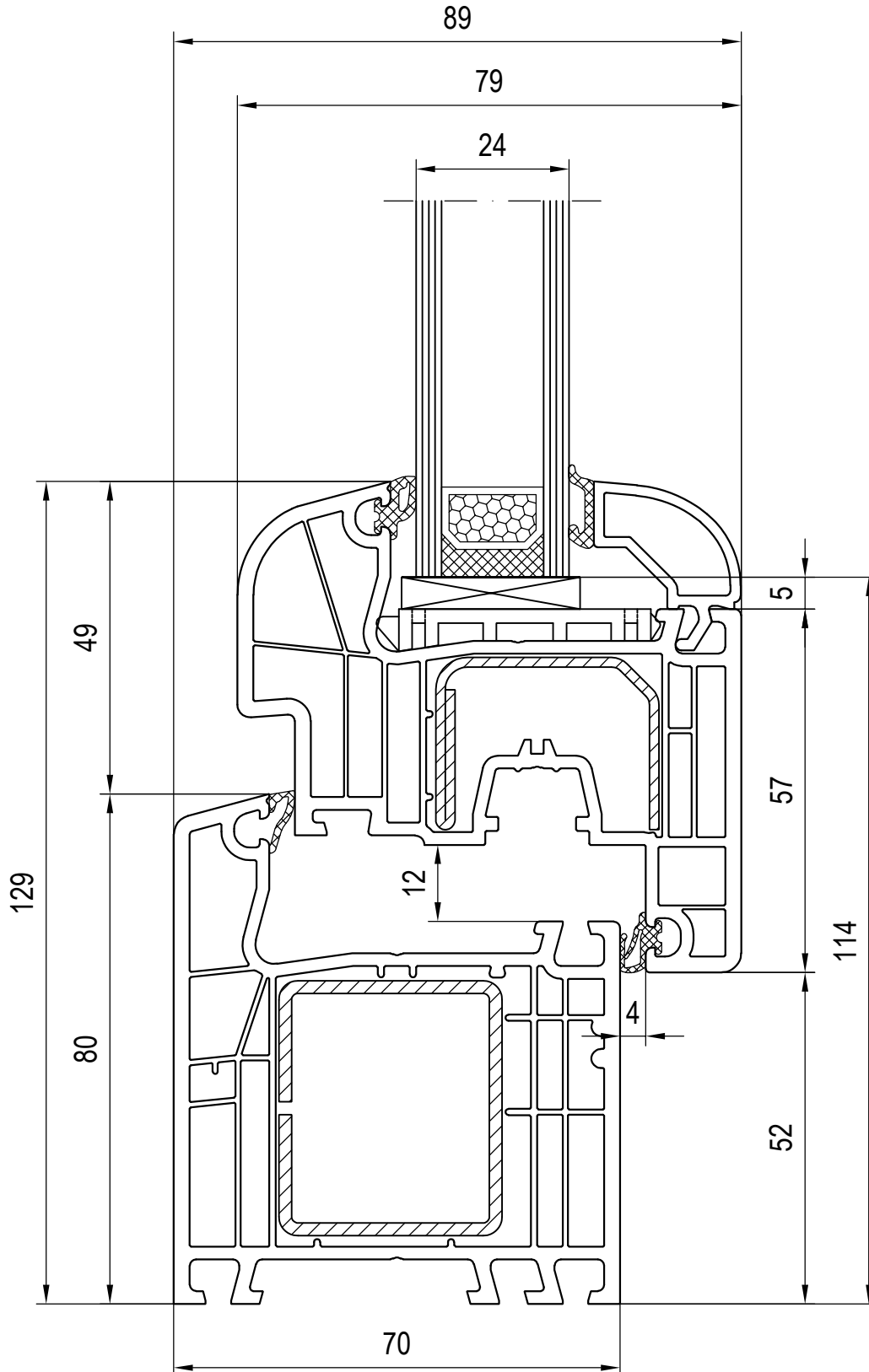
Combinations: frame - sash  
**120850/120880 Glazing bead**

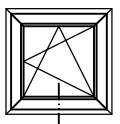
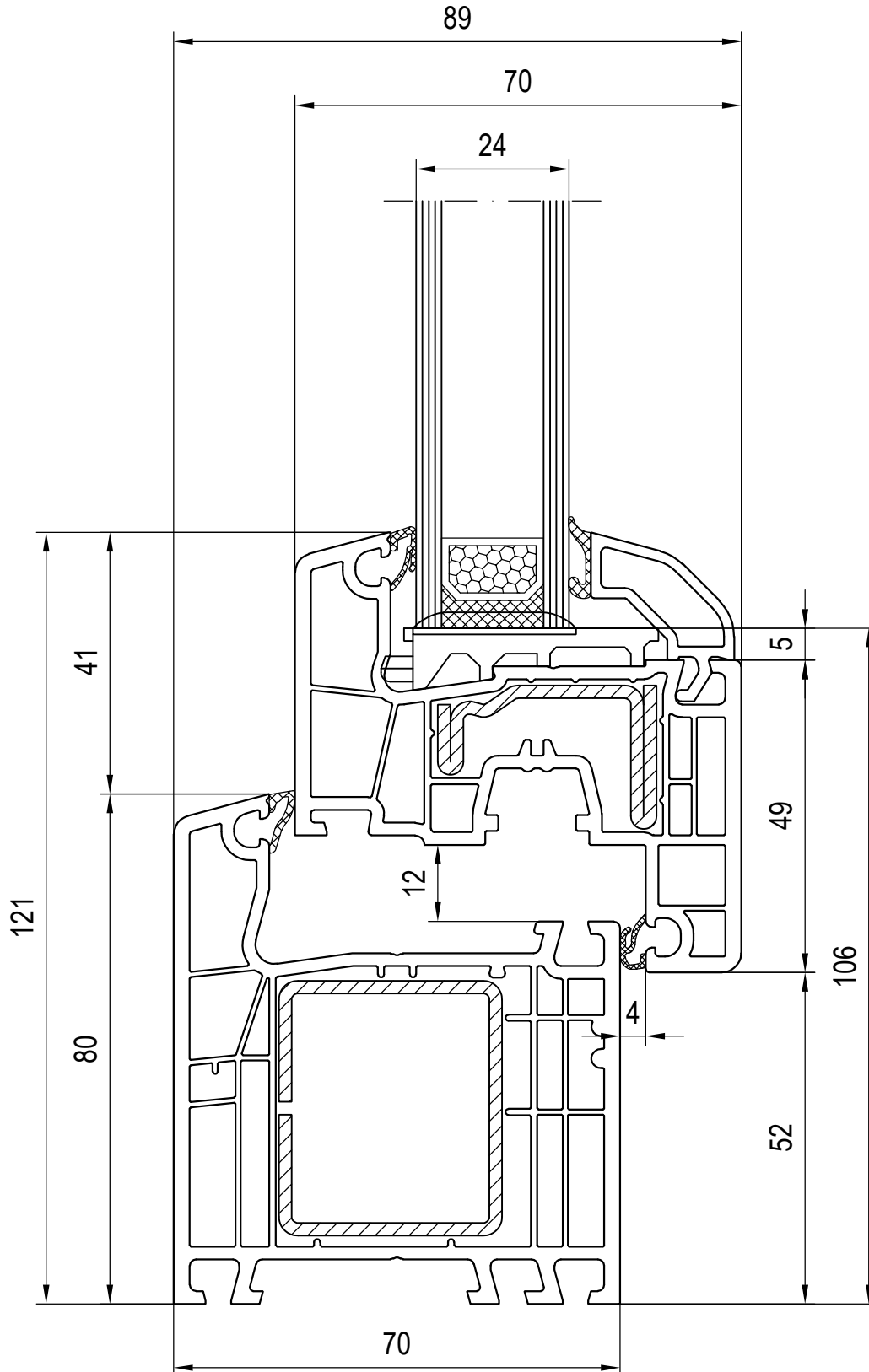
**Frame 140x01**  
**Sash 140x38**

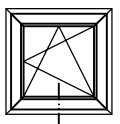
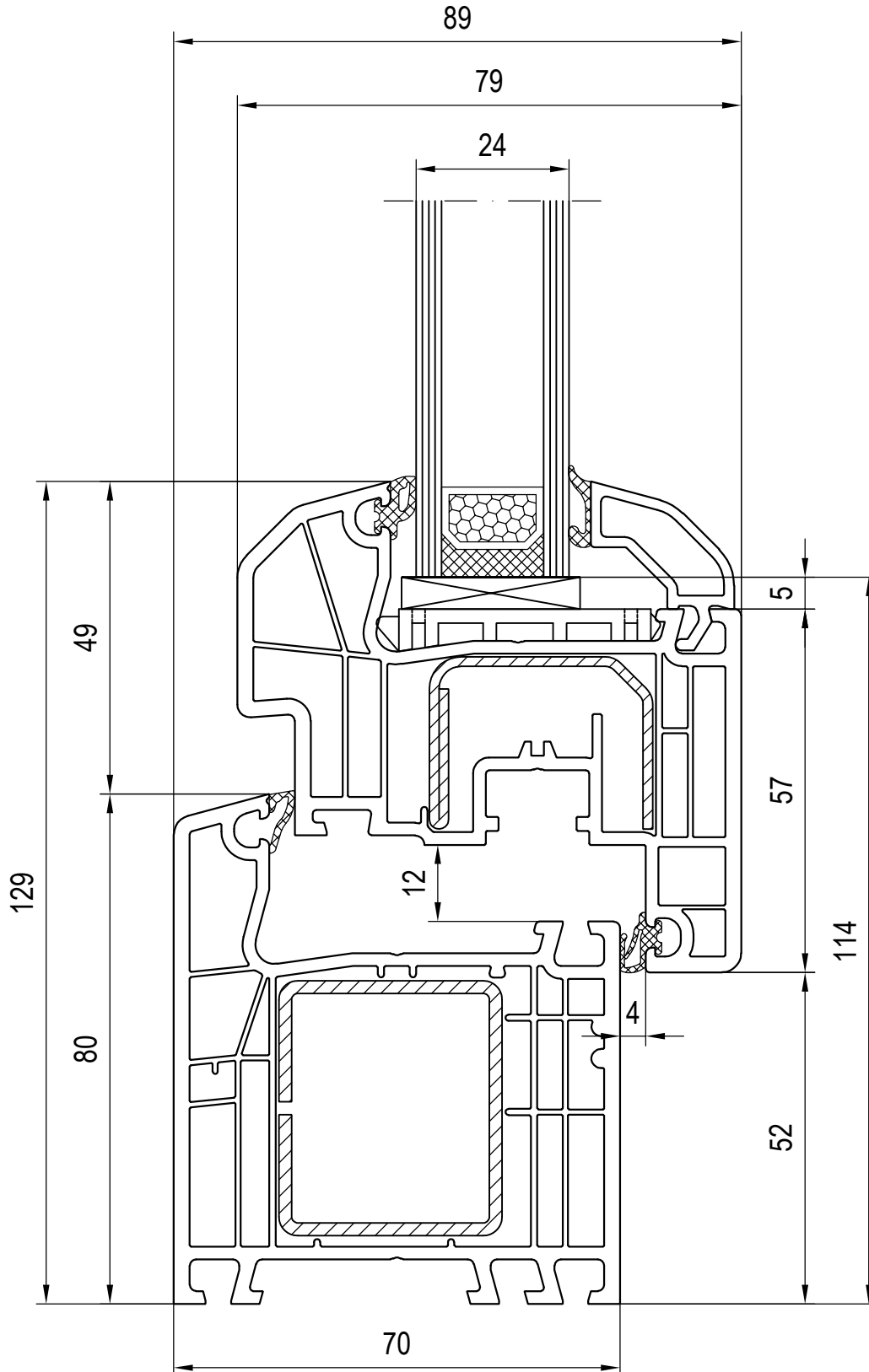


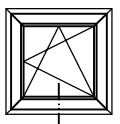
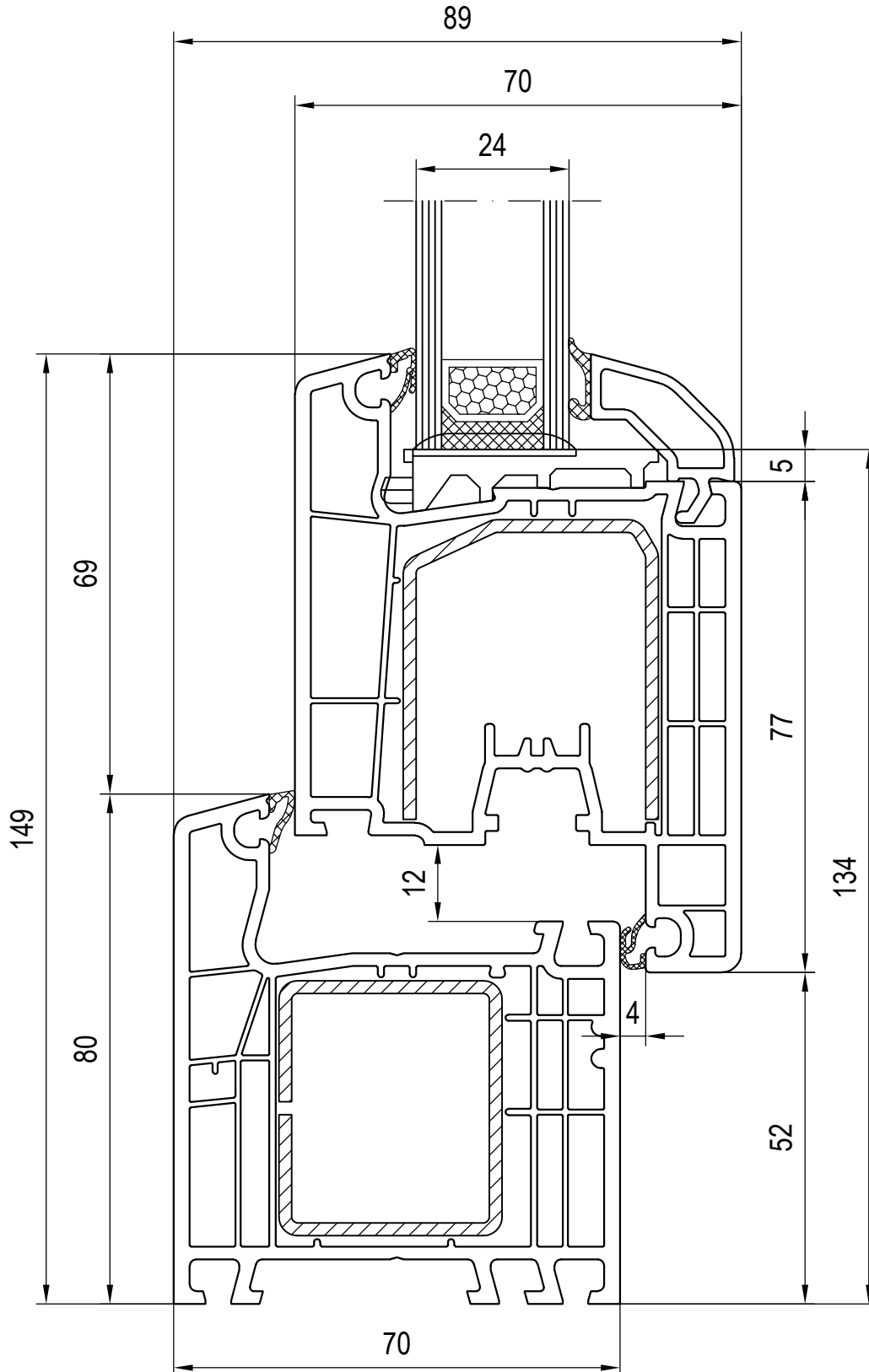


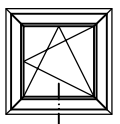
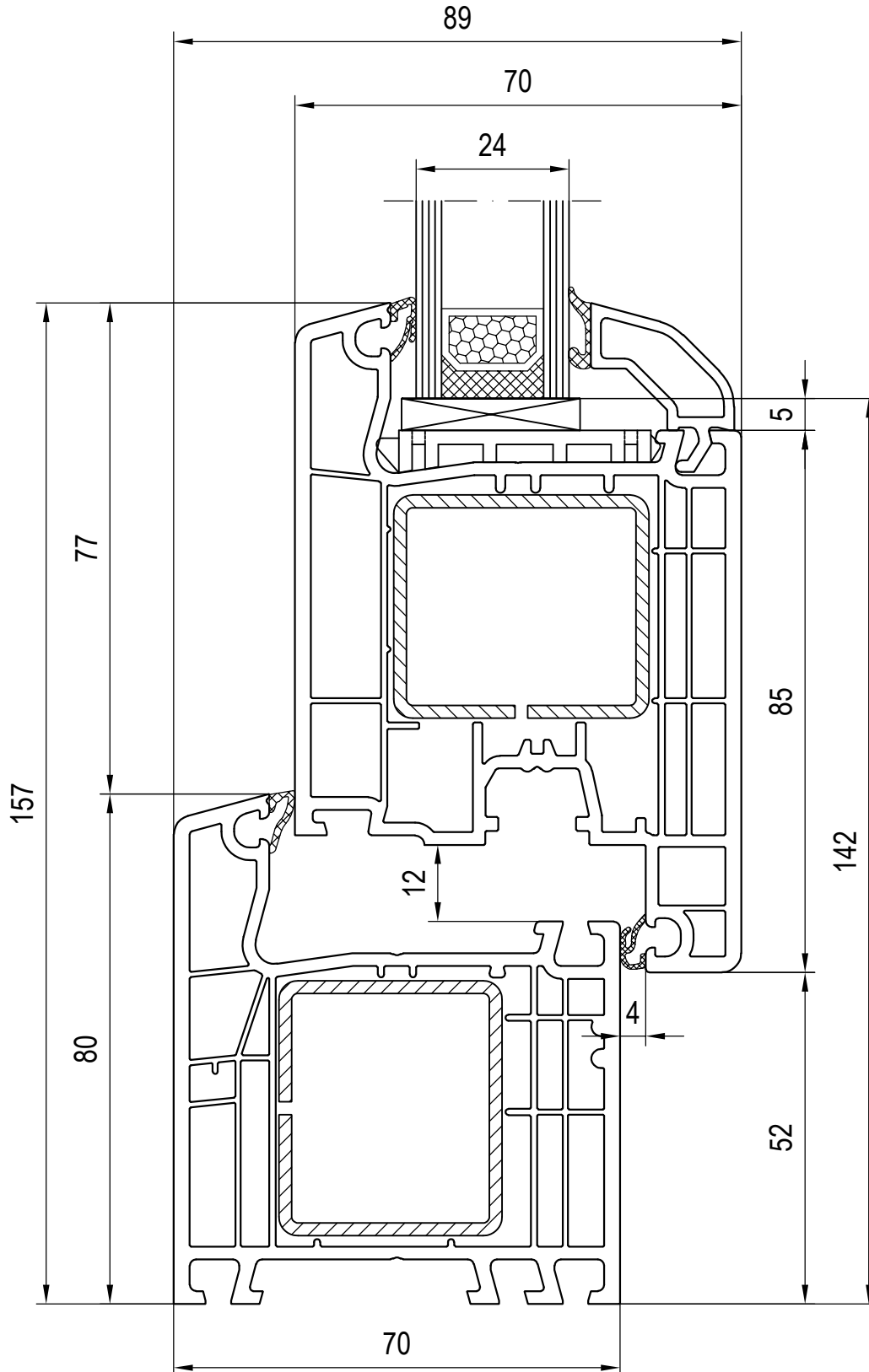


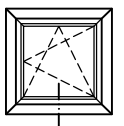
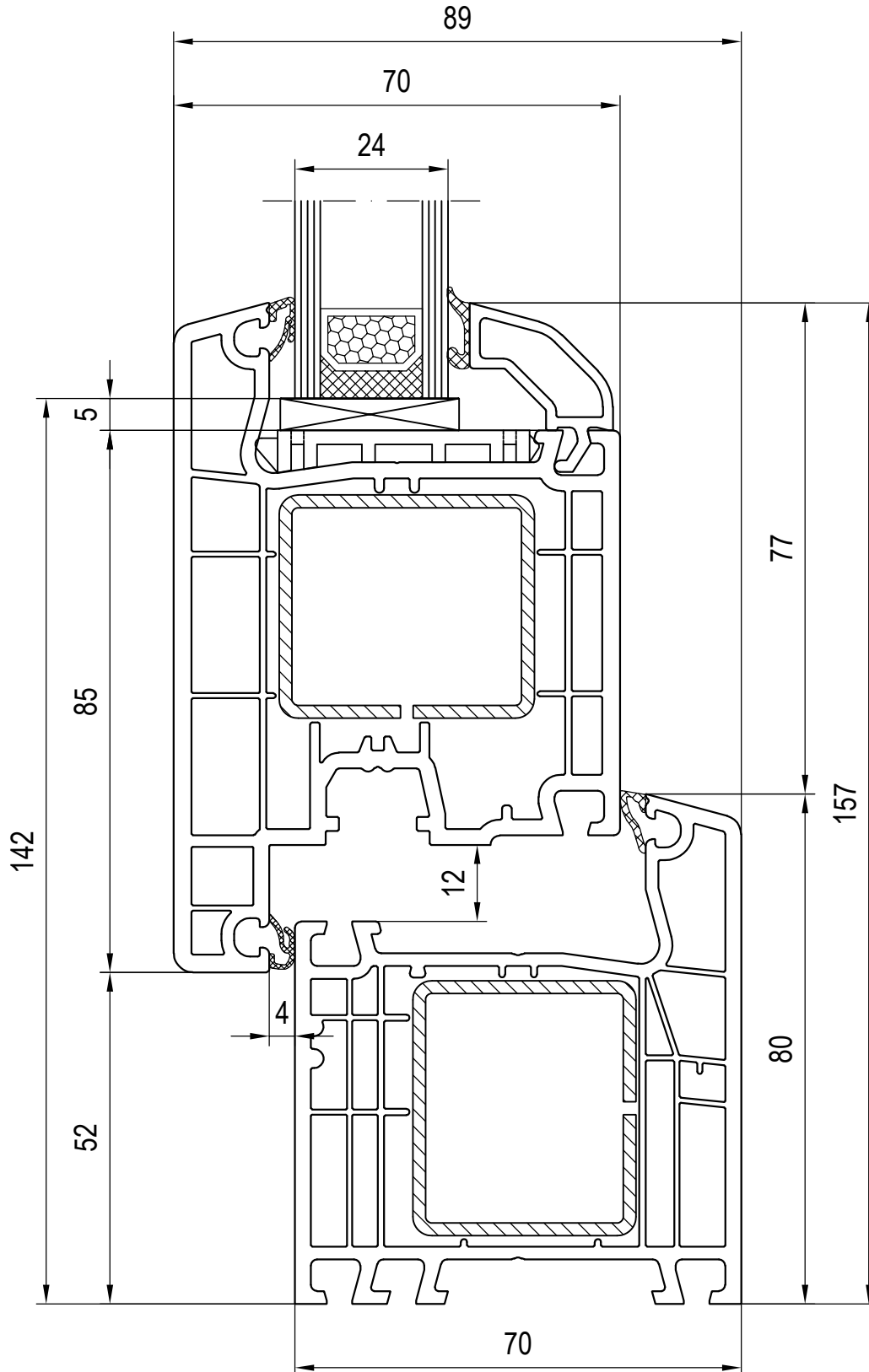












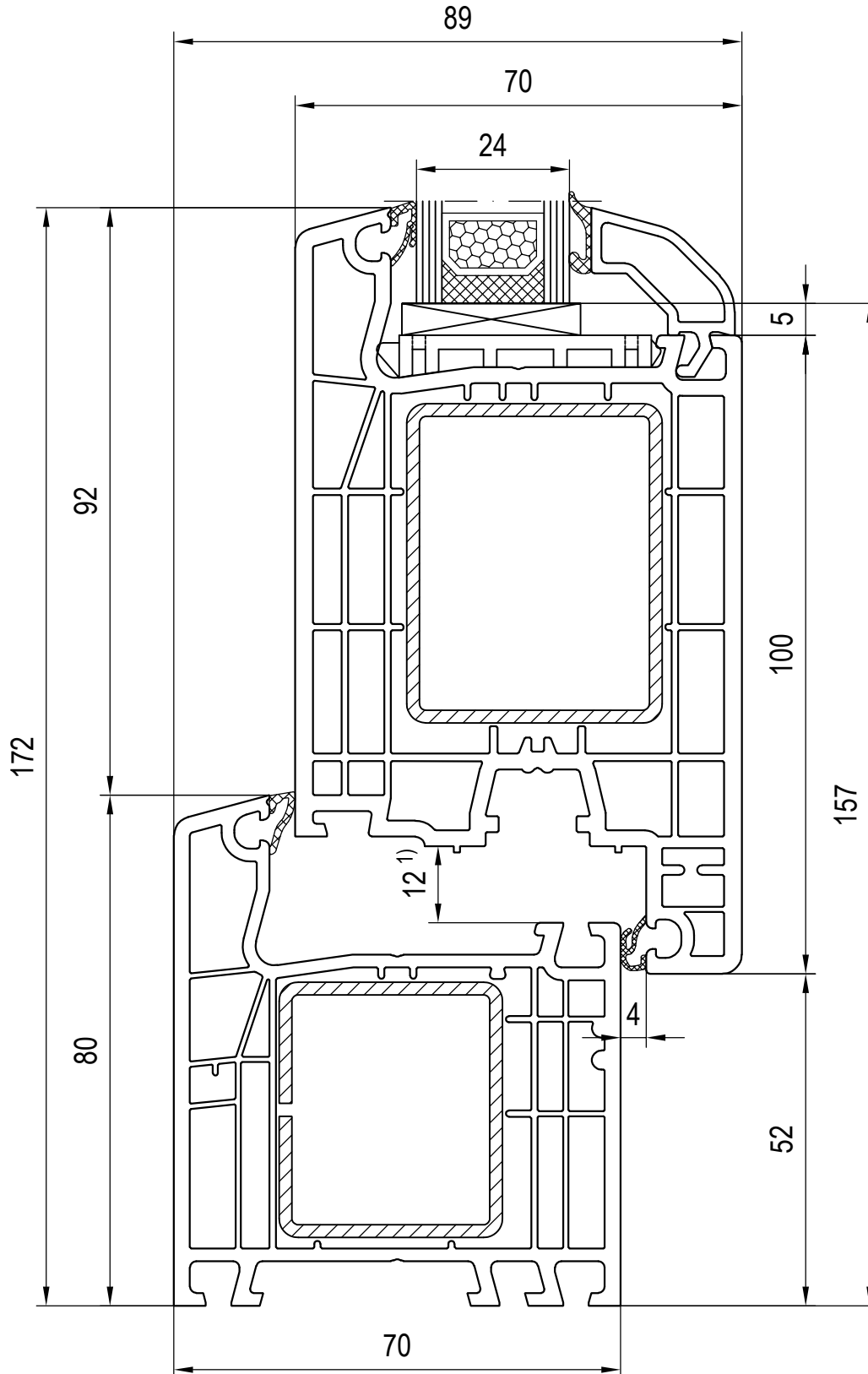
Scale 1:1

03\_D\_01\_4\*

en May be subject to change and errors excepted!

Combinations: frame - sash  
120846/120876 Glazing bead

Frame 140x03  
Sash 140x31



1) Rebate clearance of main entrance door on left and right side = 13 mm

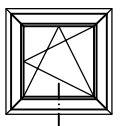
Scale 1:1

03\_D\_01\_4\*

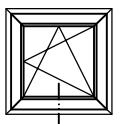
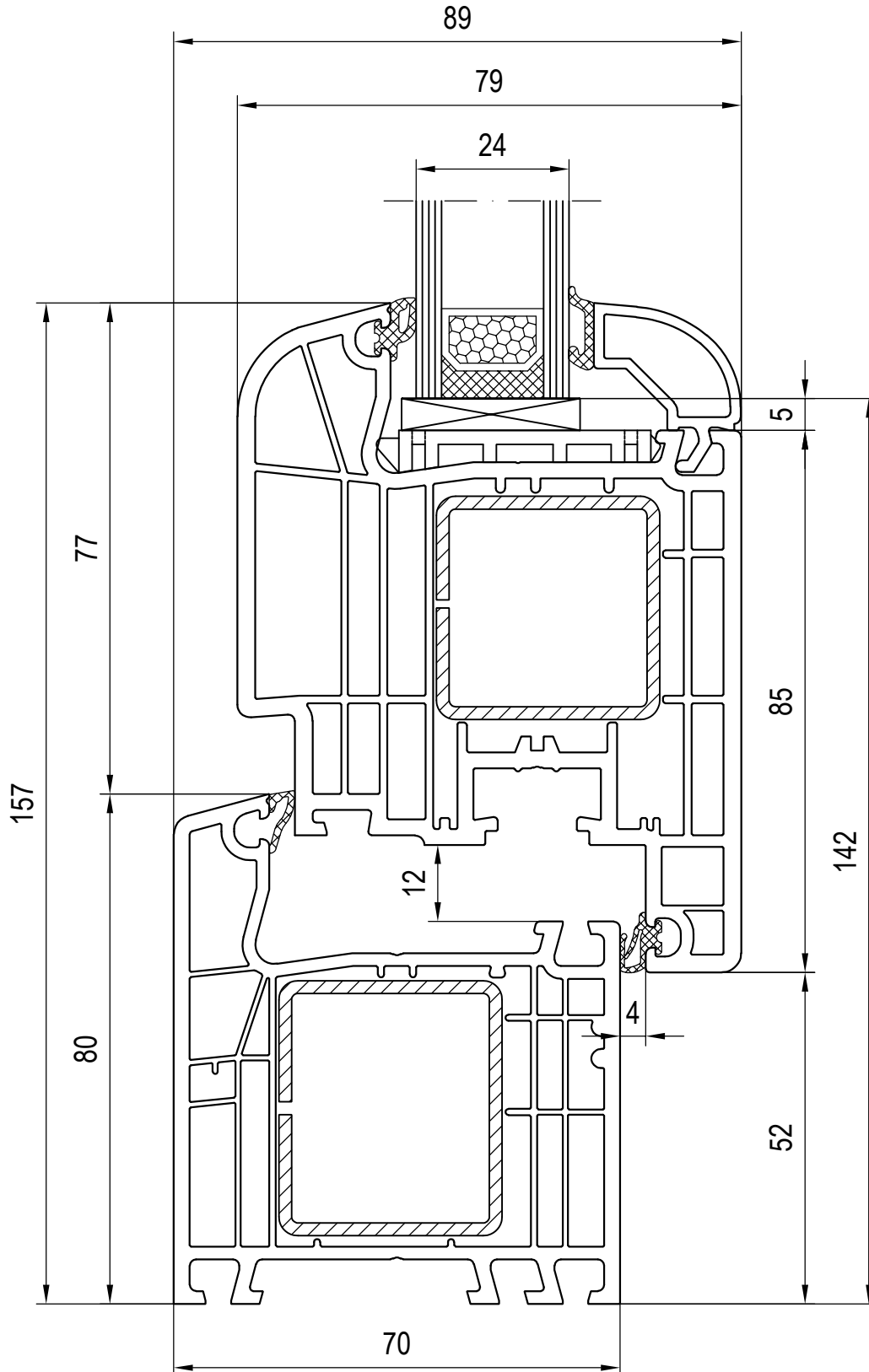
en May be subject to change and errors excepted!

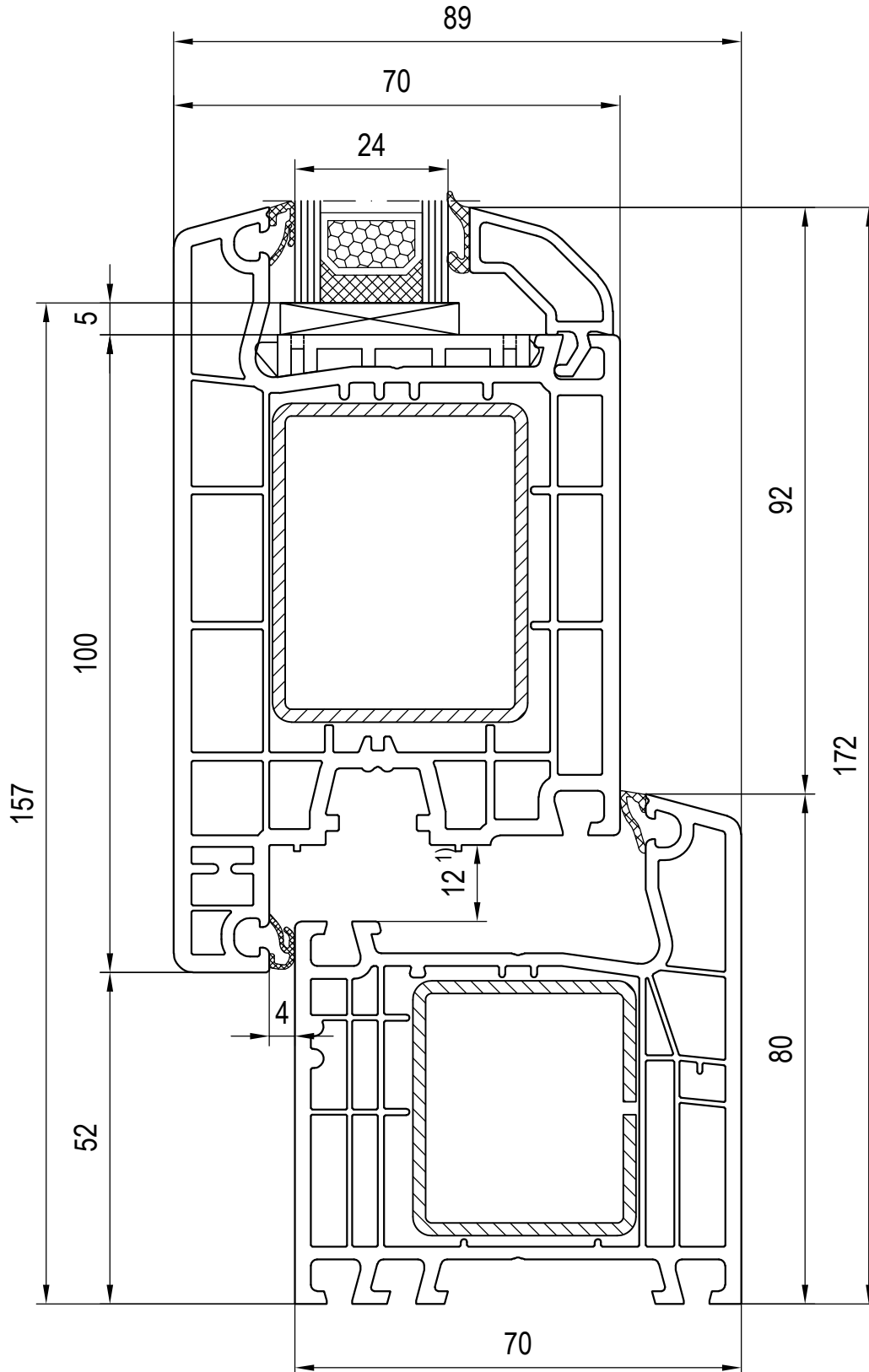
Combinations: frame - sash  
120846/120876 Glazing bead

Frame 140x03  
Sash 140x33









1) Rebate clearance of main entrance door on left and right side = 13 mm

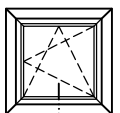
Scale 1:1

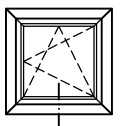
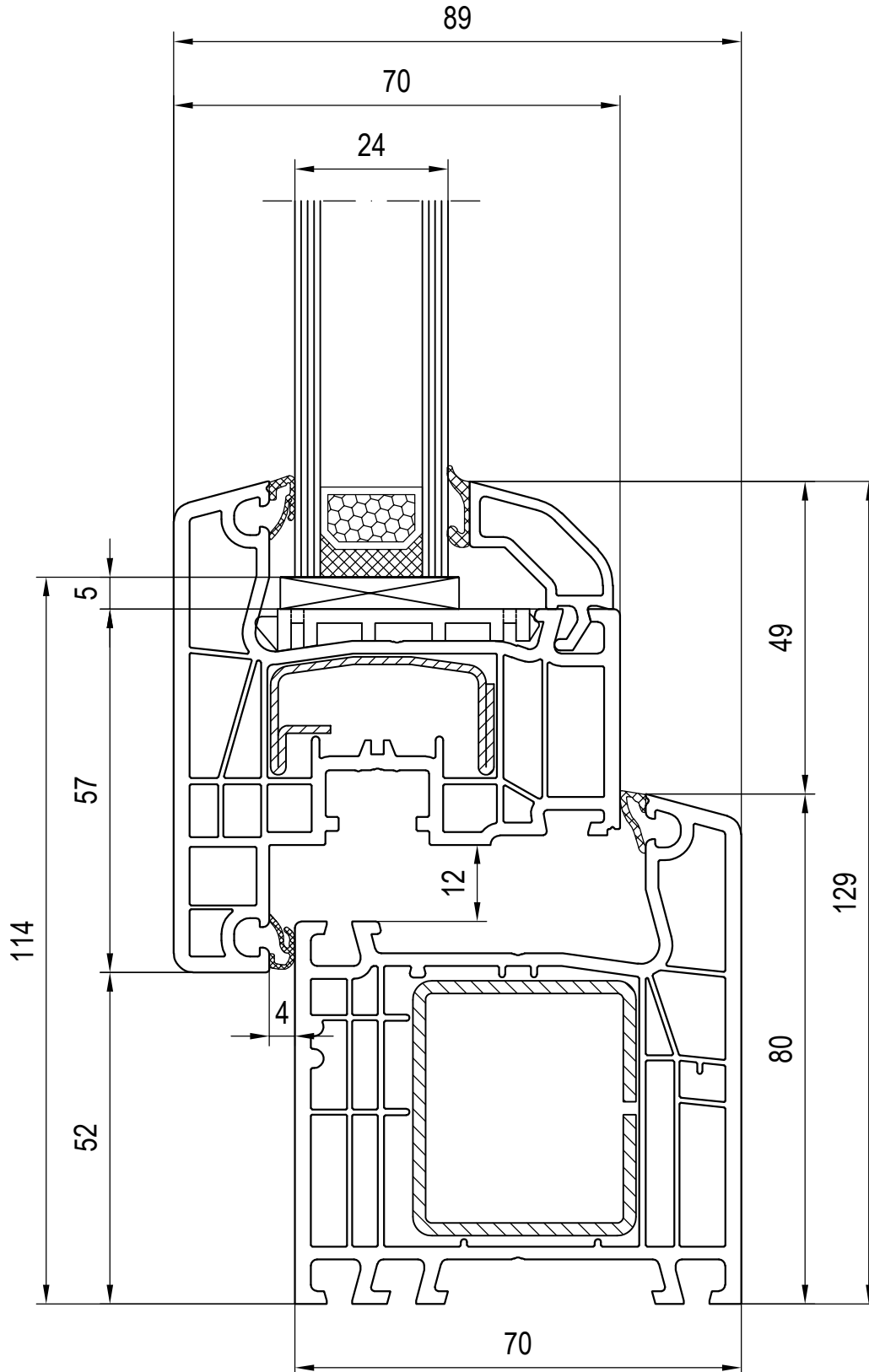
03\_D\_01\_4\*

en May be subject to change and errors excepted!

Combinations: frame - sash  
120846/120876 Glazing bead

Frame 140x03  
Sash 140x35





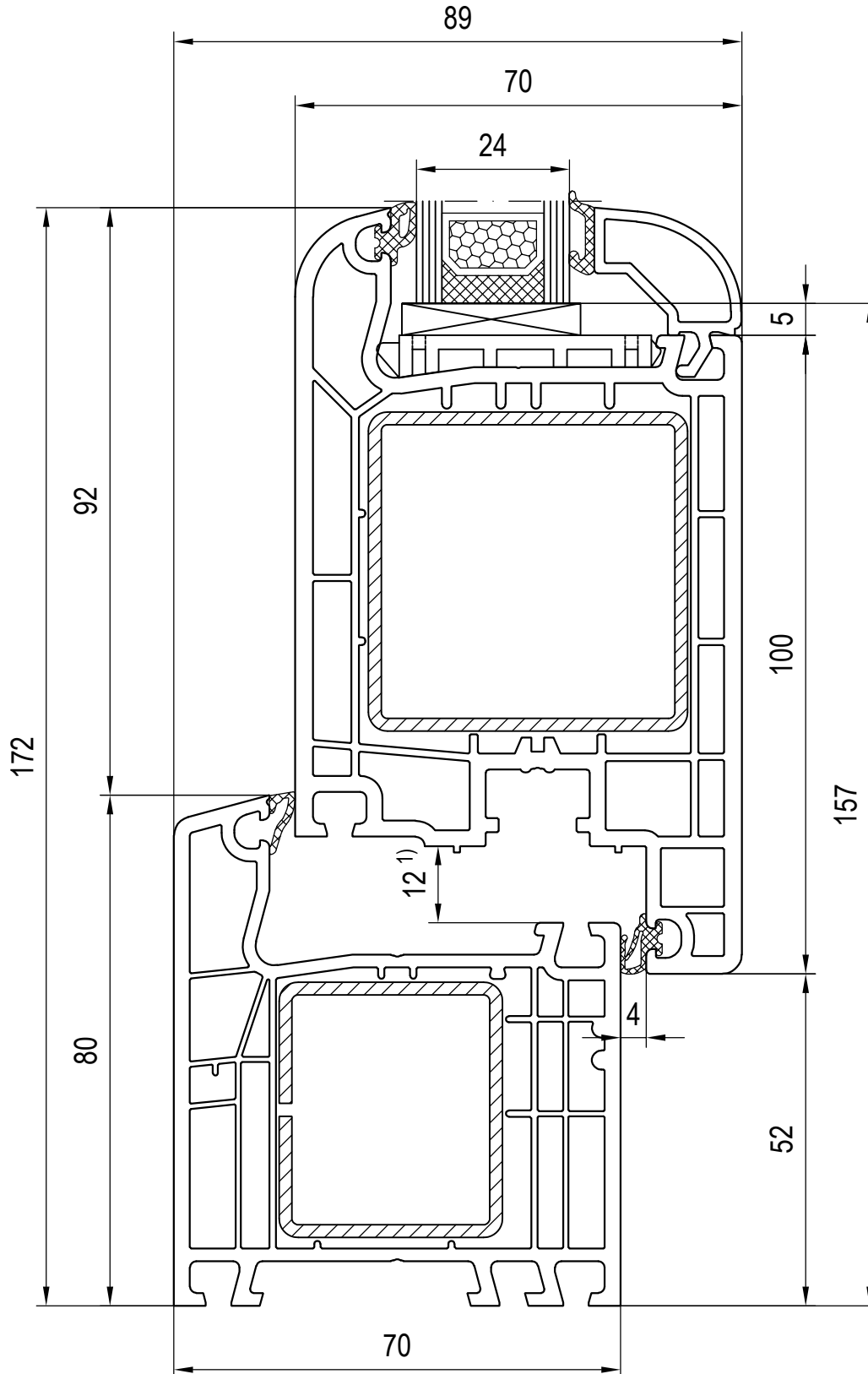
Scale 1:1

03\_D\_01\_4\*

en May be subject to change and errors excepted!

Combinations: frame - sash  
120846/120876 Glazing bead

Frame 140x03  
Sash 140x37



1) Rebate clearance of main entrance door on left and right side = 13 mm

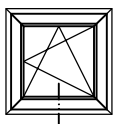
Scale 1:1

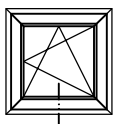
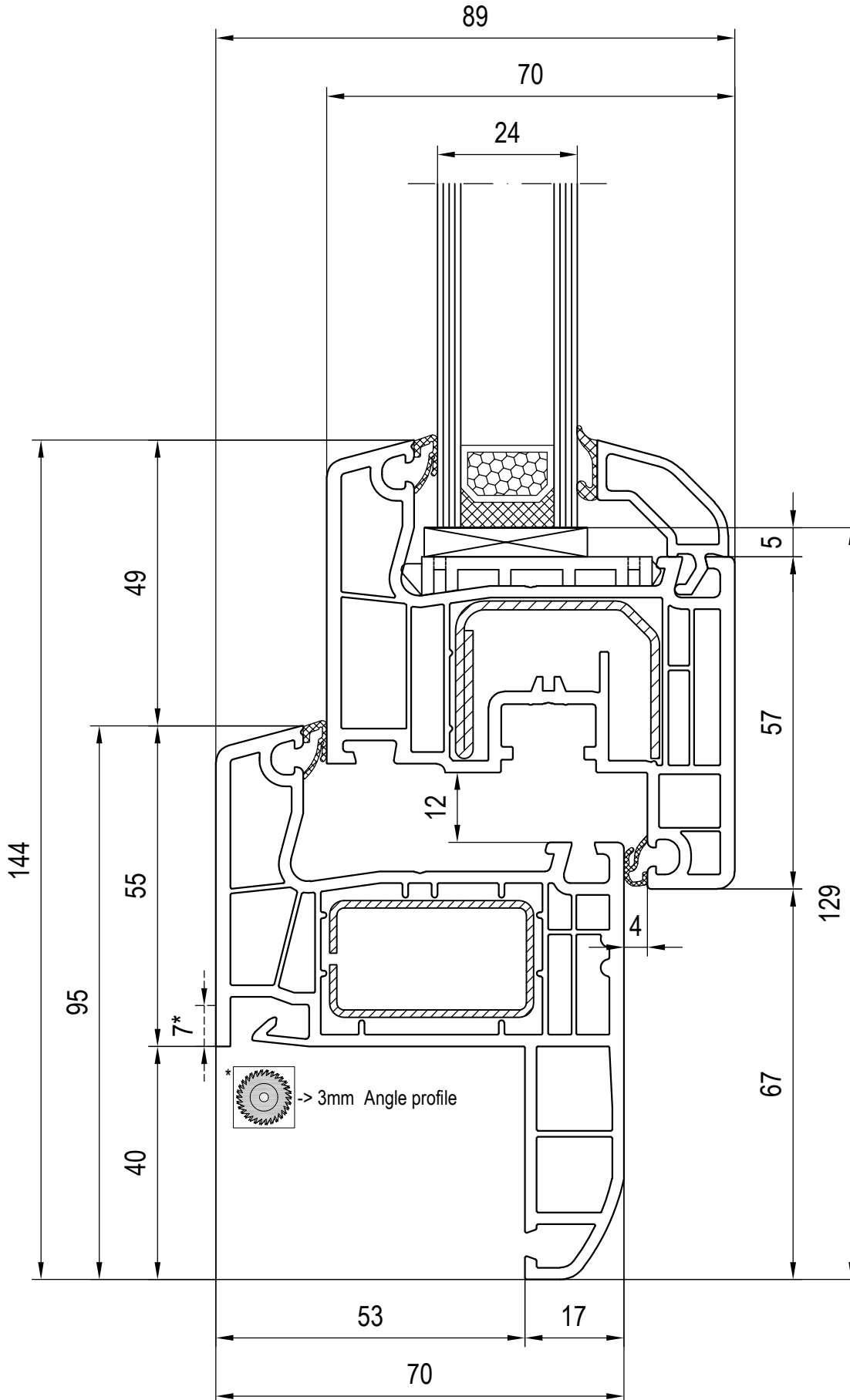
03\_D\_01\_4\*

en May be subject to change and errors excepted!

Combinations: frame - sash  
**120850/120880 Glazing bead**

**Frame 140x03**  
**Sash 140x38**





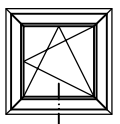
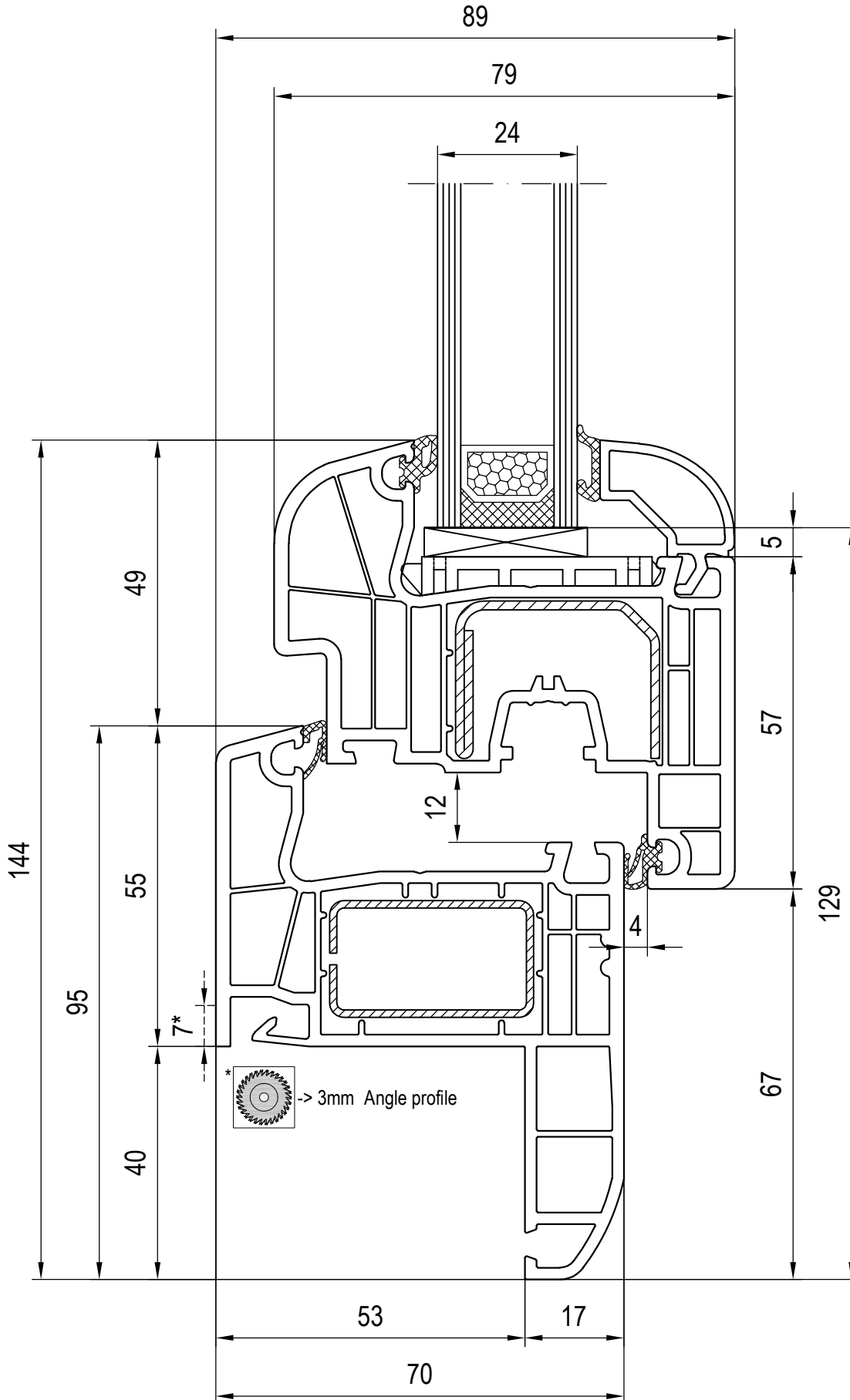
Scale 1:1

03\_D\_01\_4\*

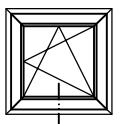
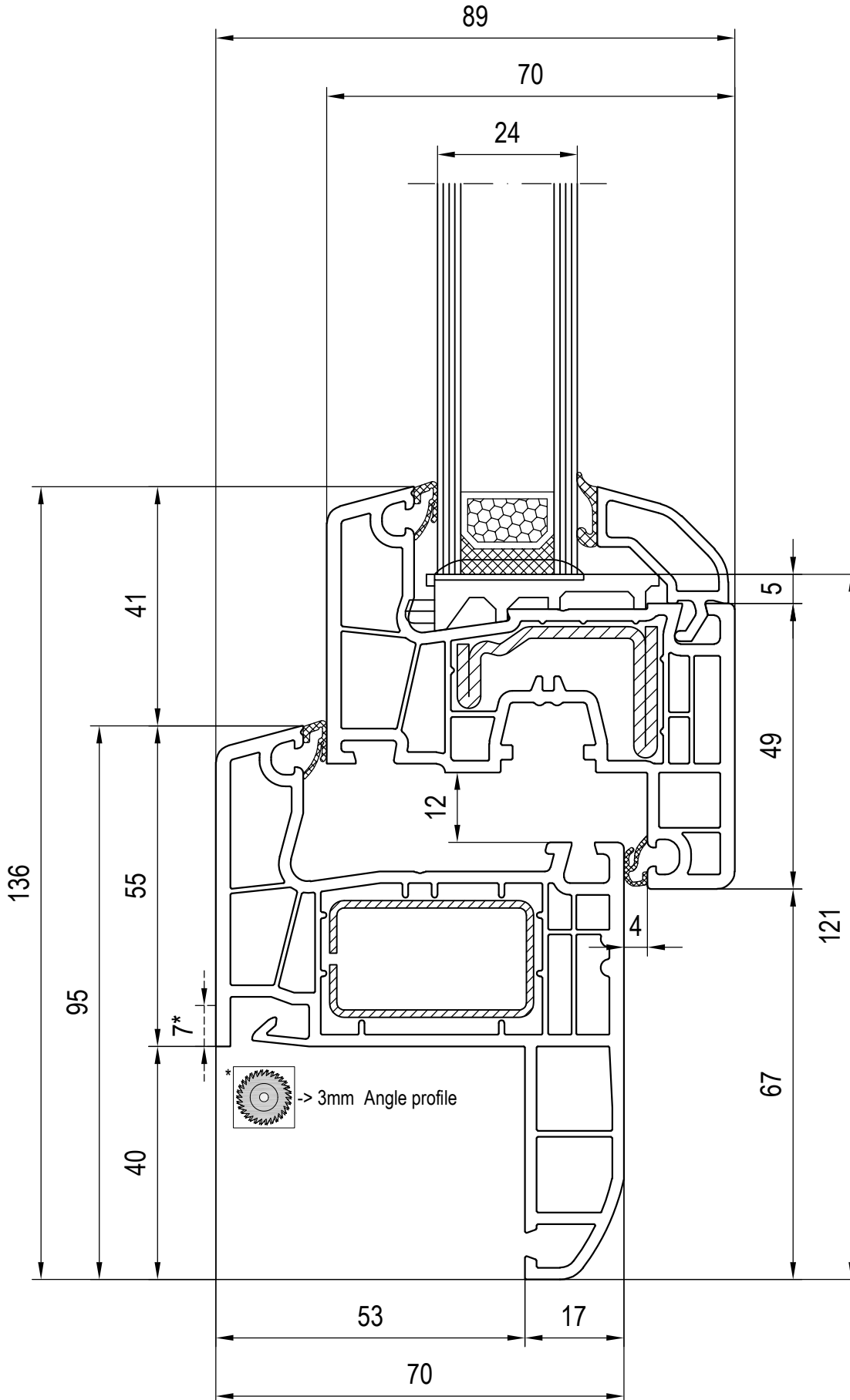
en May be subject to change and errors excepted!

Combinations: frame - sash  
120846/120876 Glazing bead

Frame 140x05  
Sash 140x20







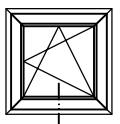
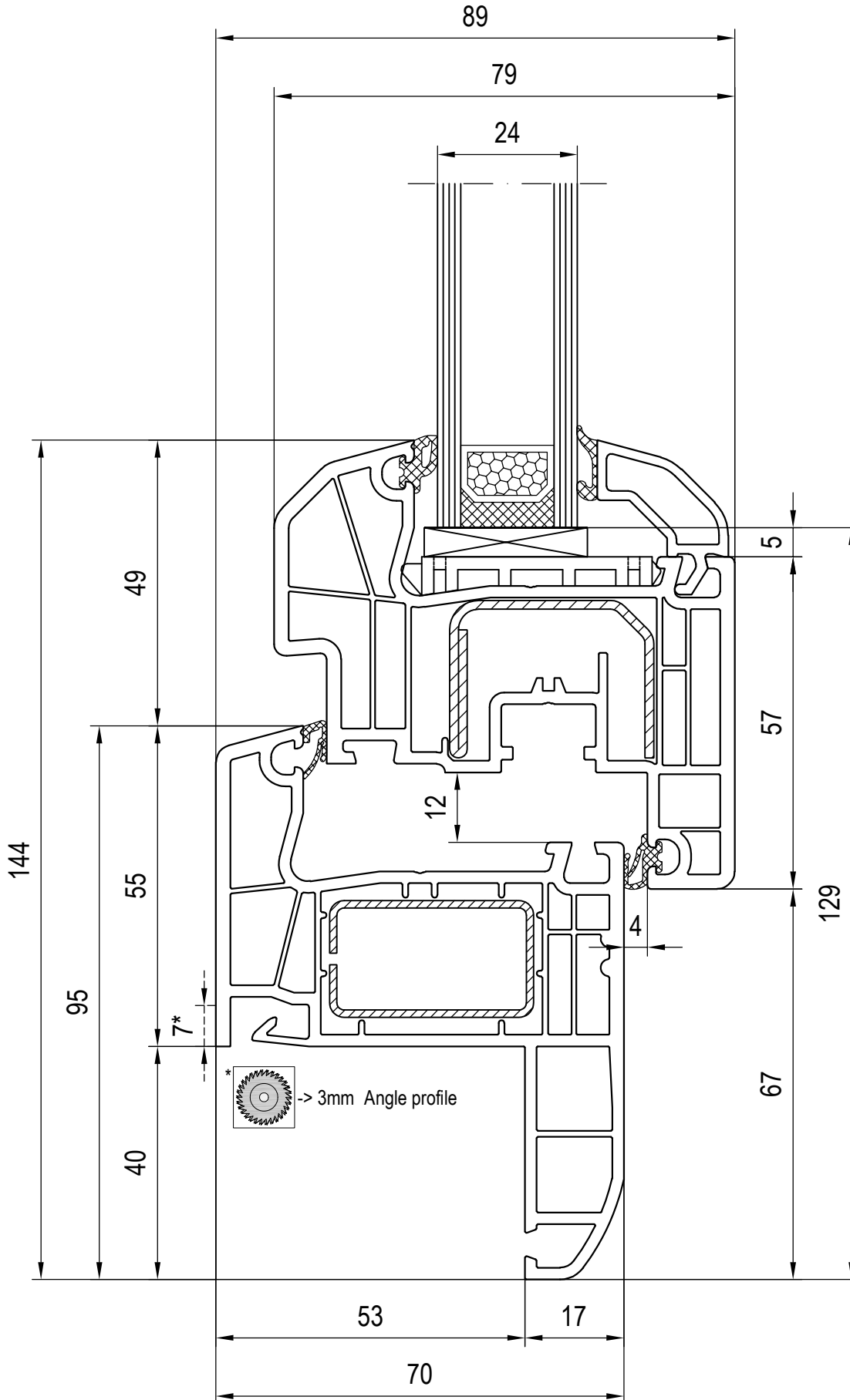
Scale 1:1

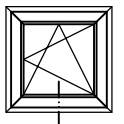
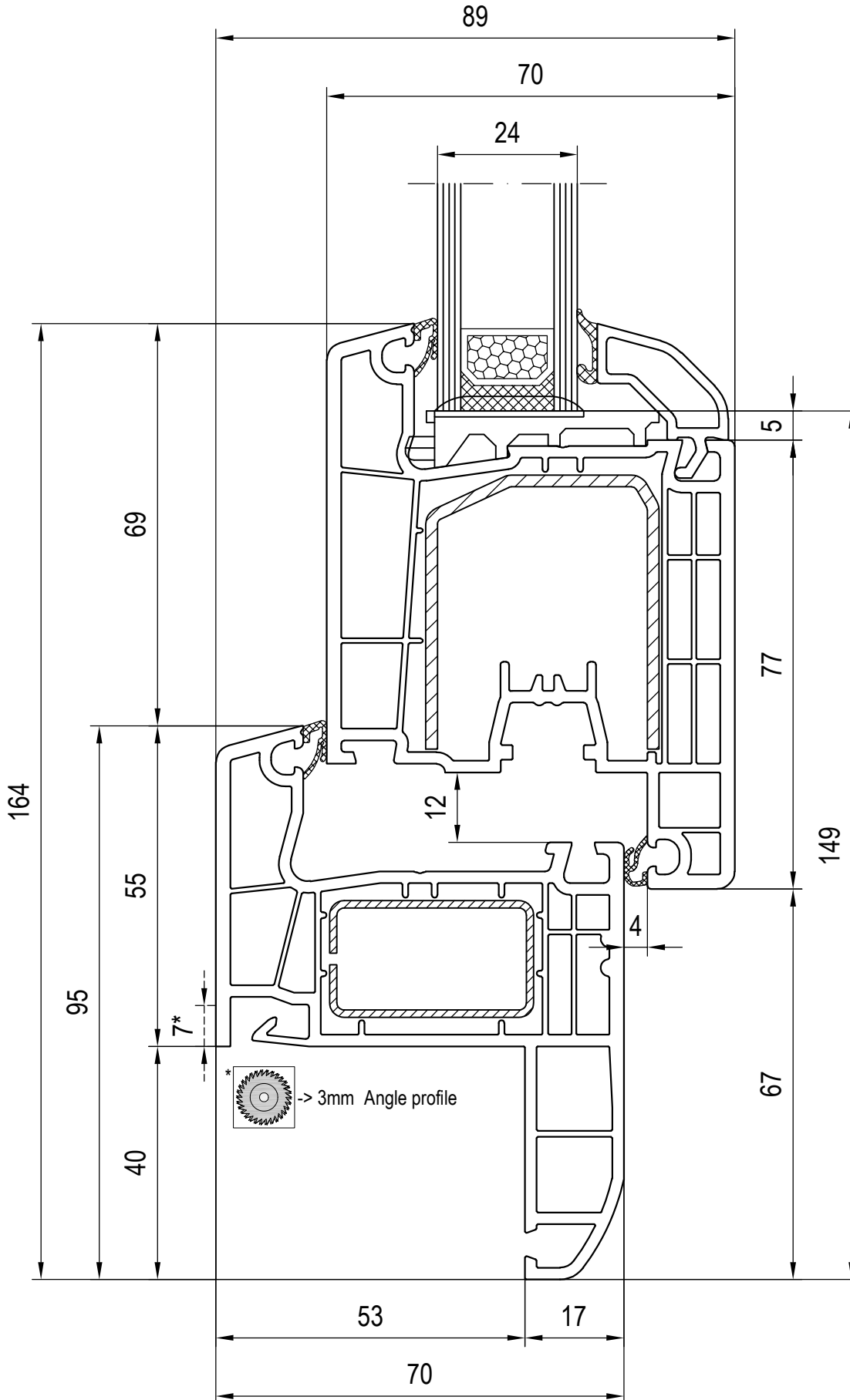
03\_D\_01\_4\*

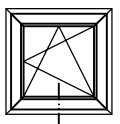
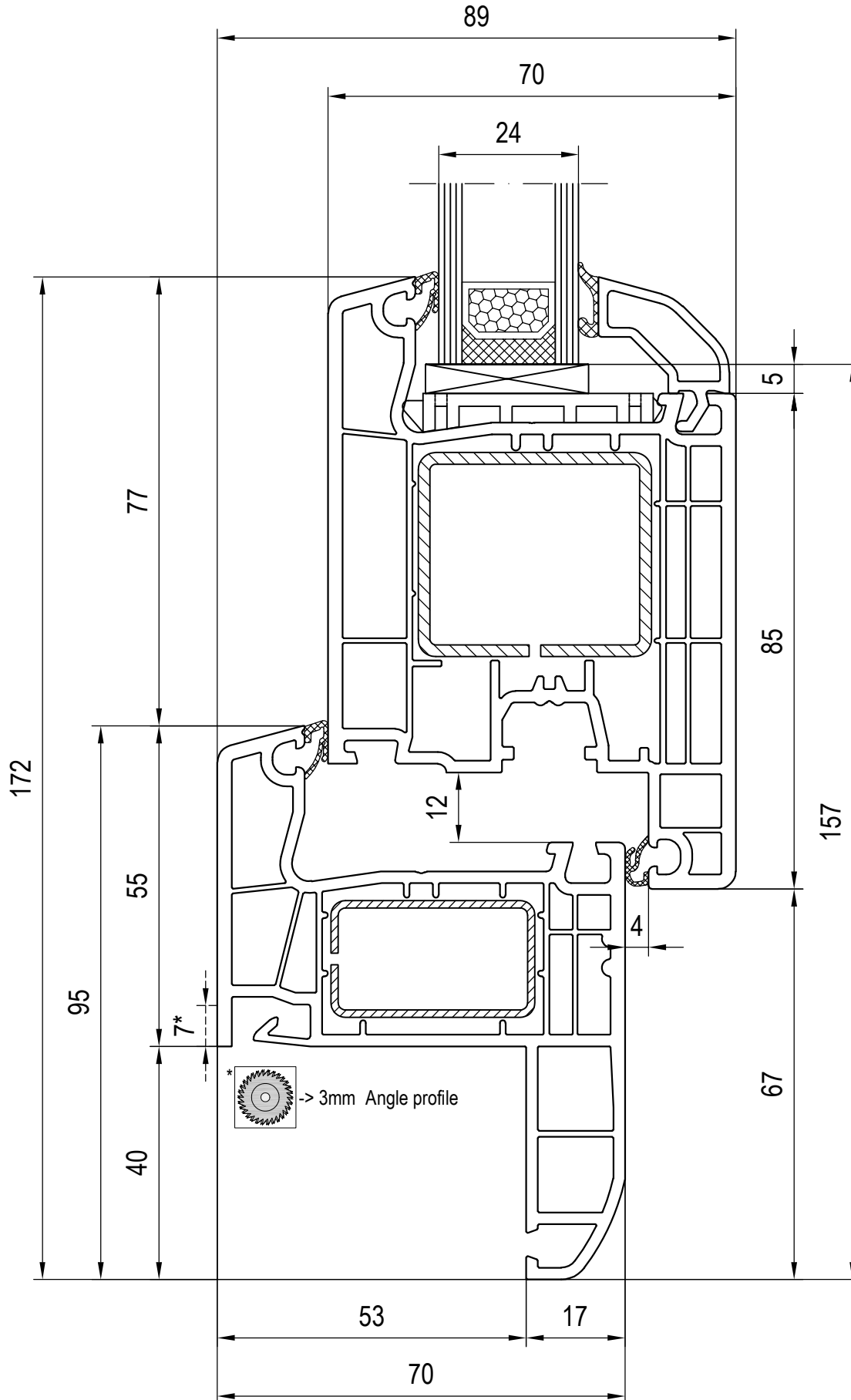
en May be subject to change and errors excepted!

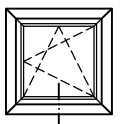
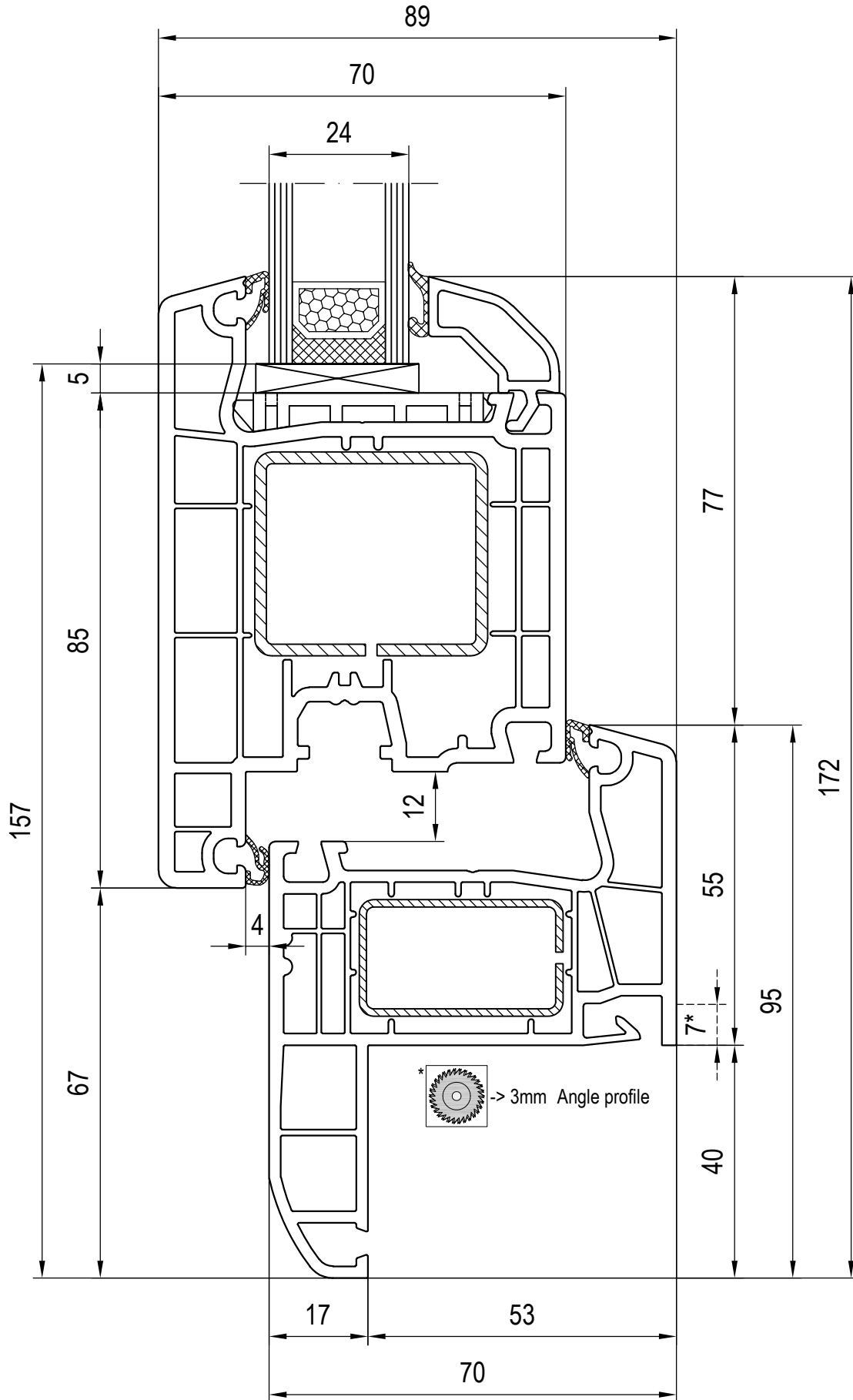
Combinations: frame - sash  
120846/120876 Glazing bead

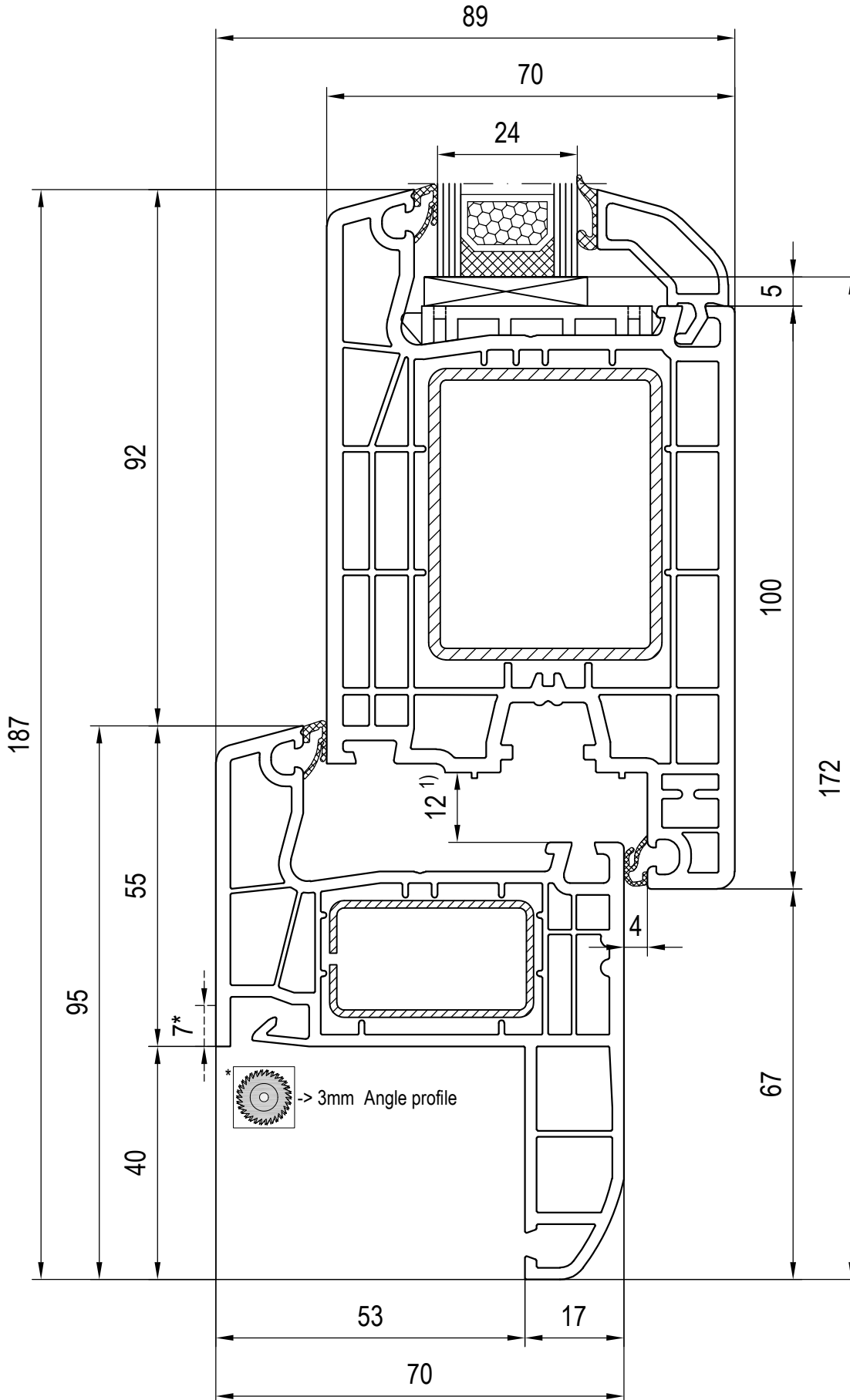
Frame 140x05  
Sash 140x24











1) Rebate clearance of main entrance door on left and right side = 13 mm

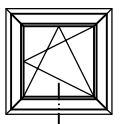
Scale 1:1

03\_D\_01\_4\*

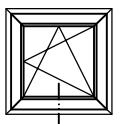
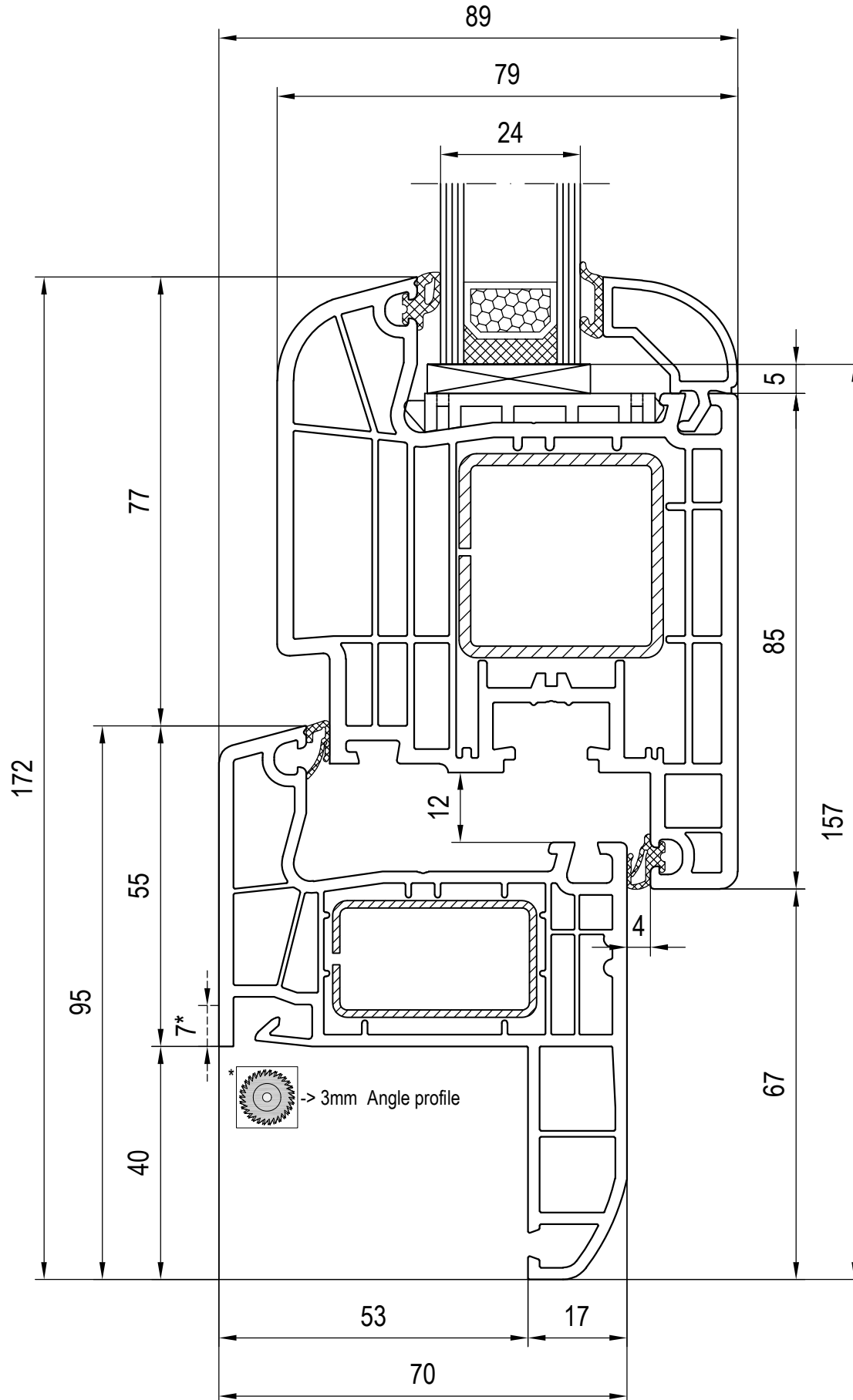
en May be subject to change and errors excepted!

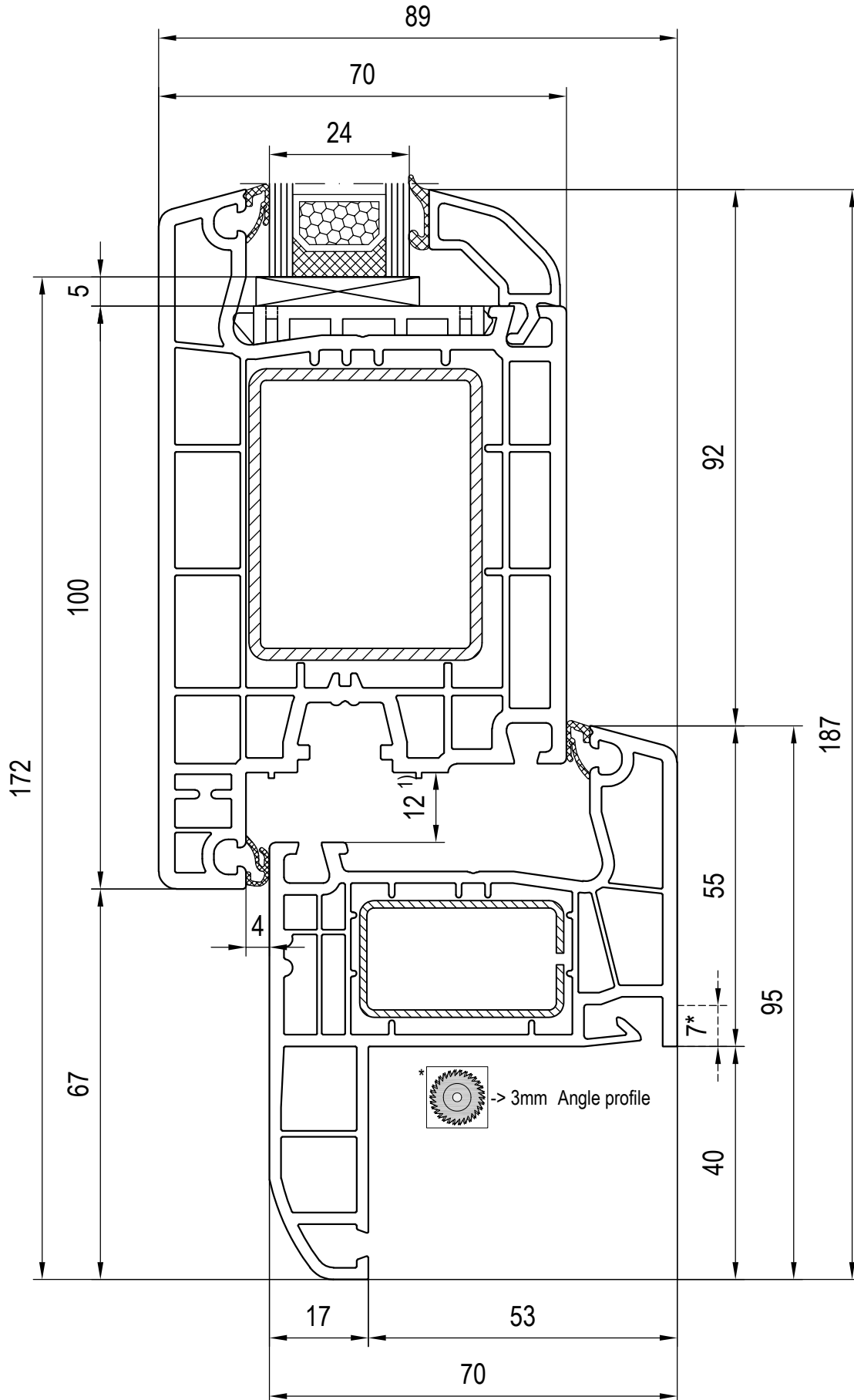
Combinations: frame - sash  
**120846/120876 Glazing bead**

**Frame 140x05**  
**Sash 140x33**









1) Rebate clearance of main entrance door on left and right side = 13 mm

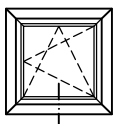
Scale 1:1

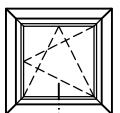
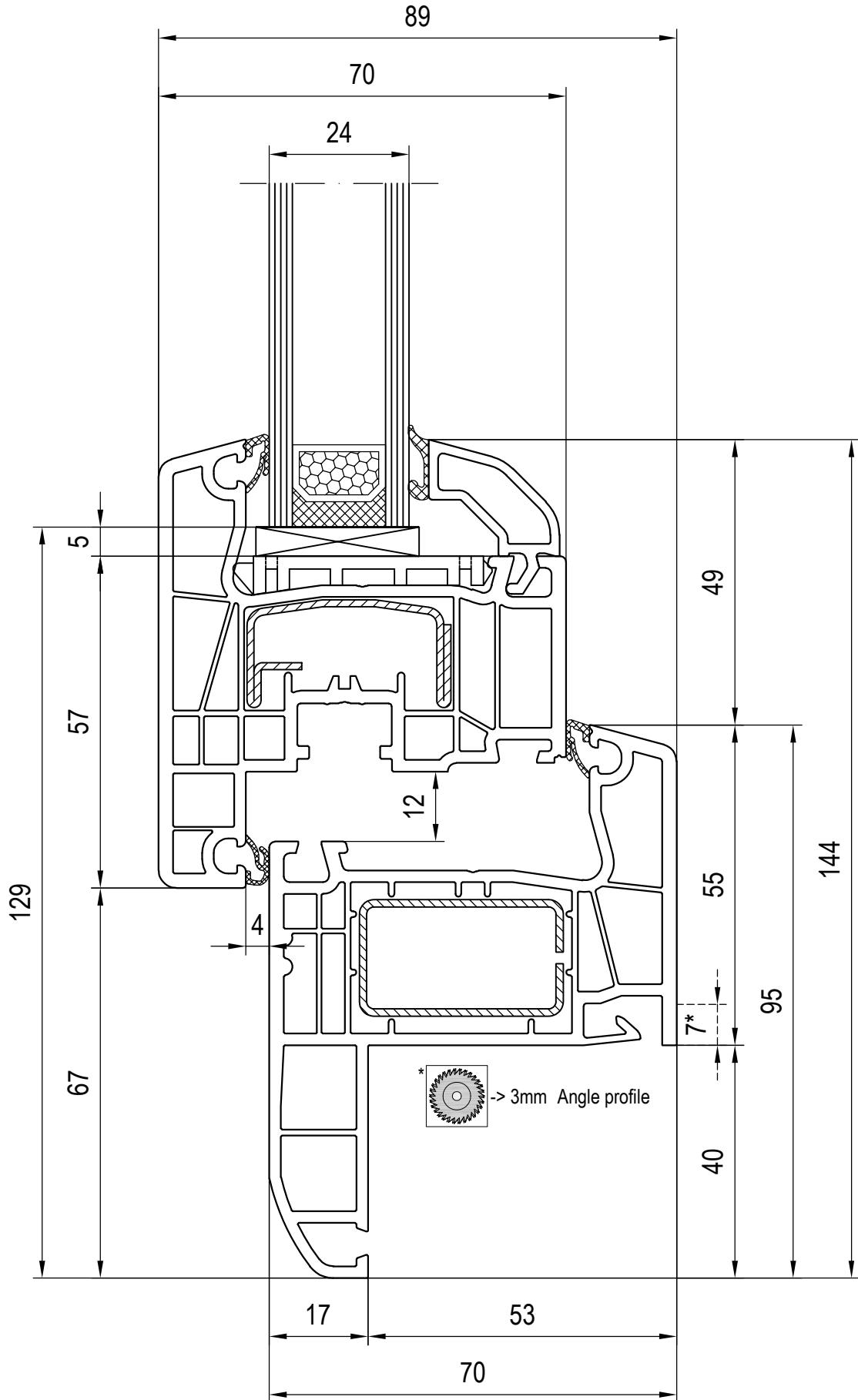
03\_D\_01\_4\*

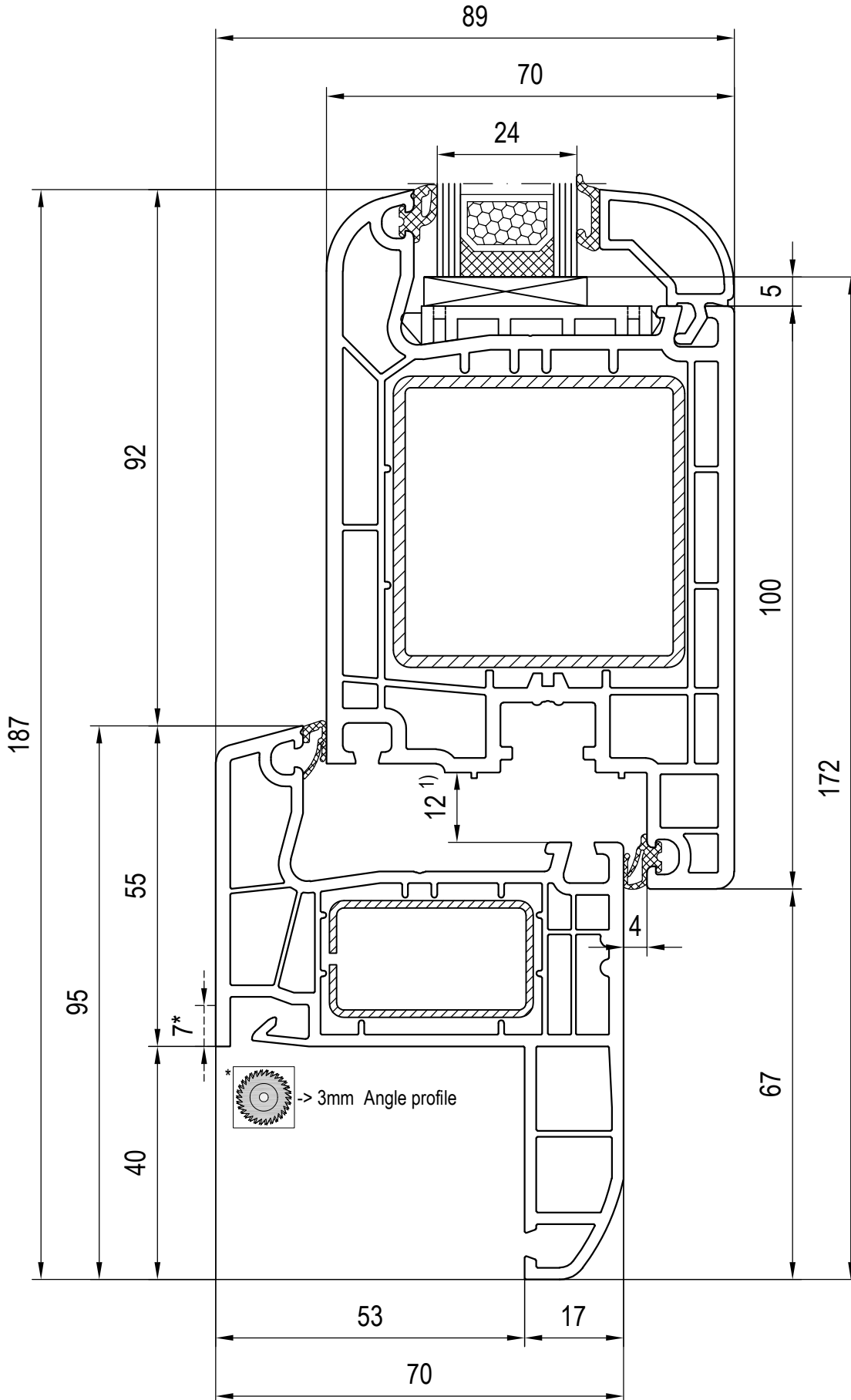
en May be subject to change and errors excepted!

Combinations: frame - sash  
120846/120876 Glazing bead

Frame 140x05  
Sash 140x35







1) Rebate clearance of main entrance door on left and right side = 13 mm

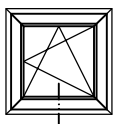
Scale 1:1

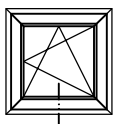
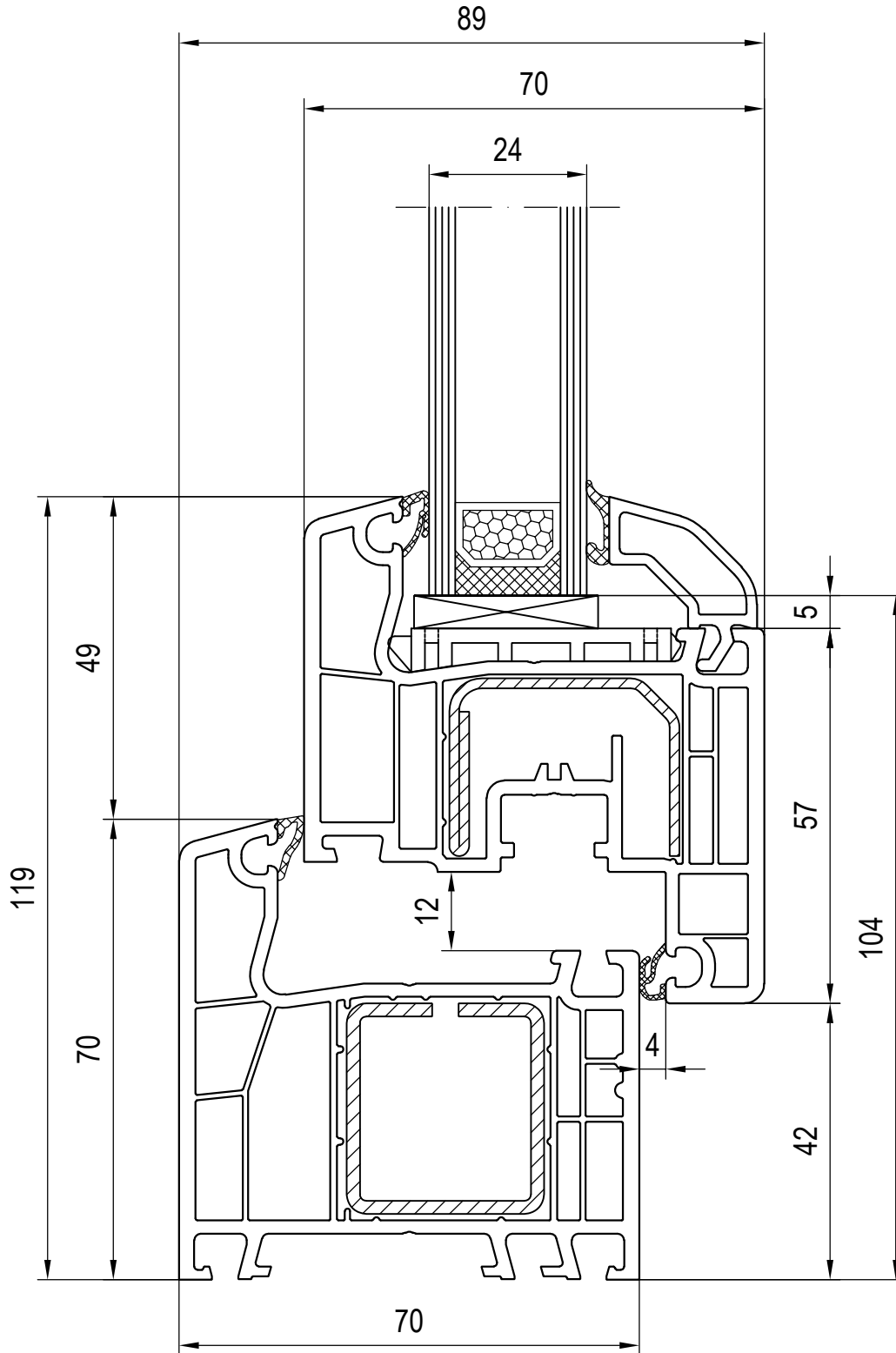
03\_D\_01\_4\*

en May be subject to change and errors excepted!

**Combinations: frame - sash**  
**120850/120880 Glazing bead**

**Frame 140x05**  
**Sash 140x38**





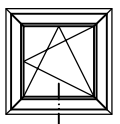
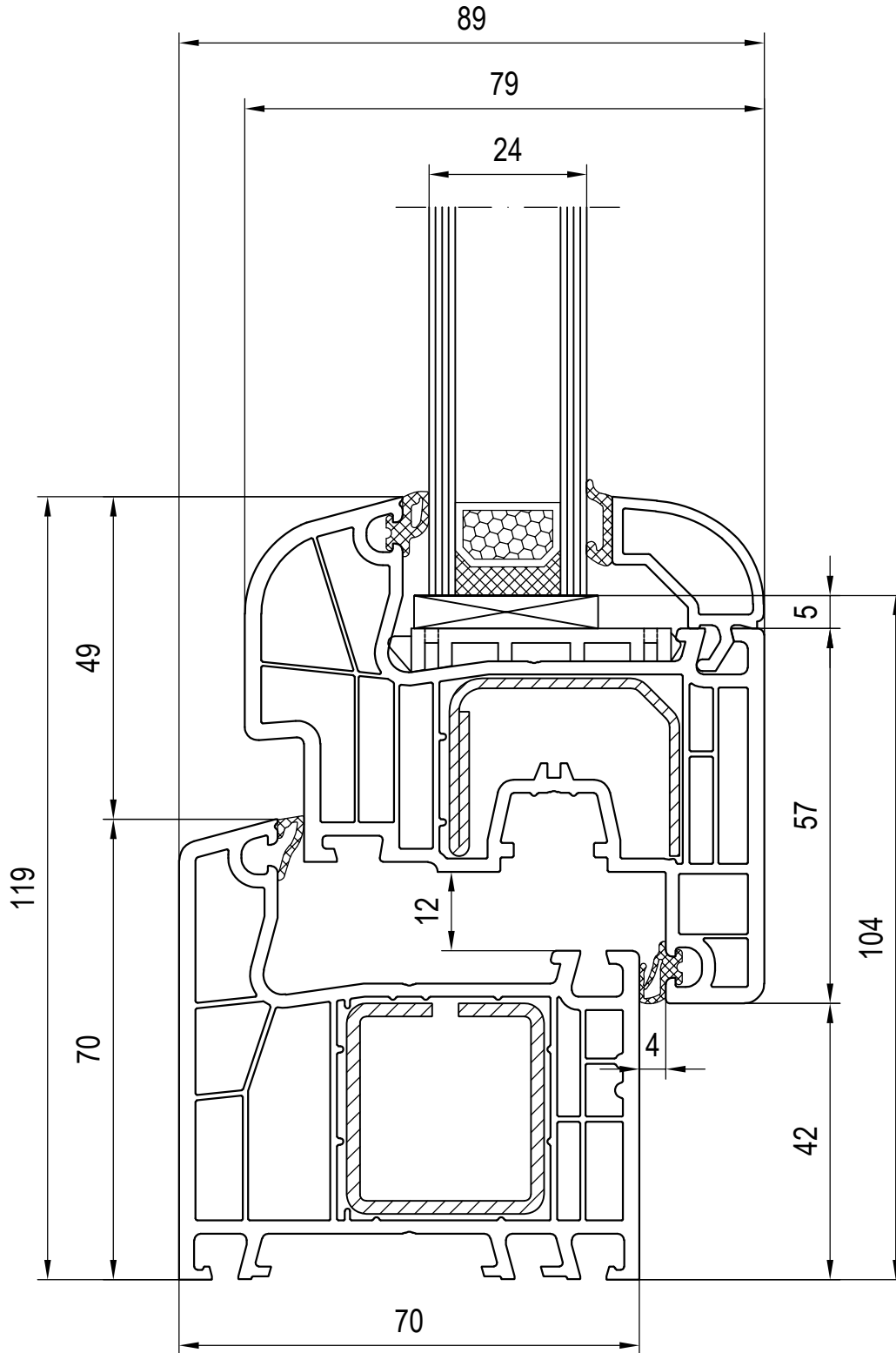
Scale 1:1

03\_D\_01\_4\*

en May be subject to change and errors excepted!

Combinations: frame - sash  
120846/120876 Glazing bead

Frame 140x07  
Sash 140x20



Scale 1:1

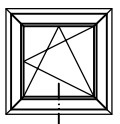
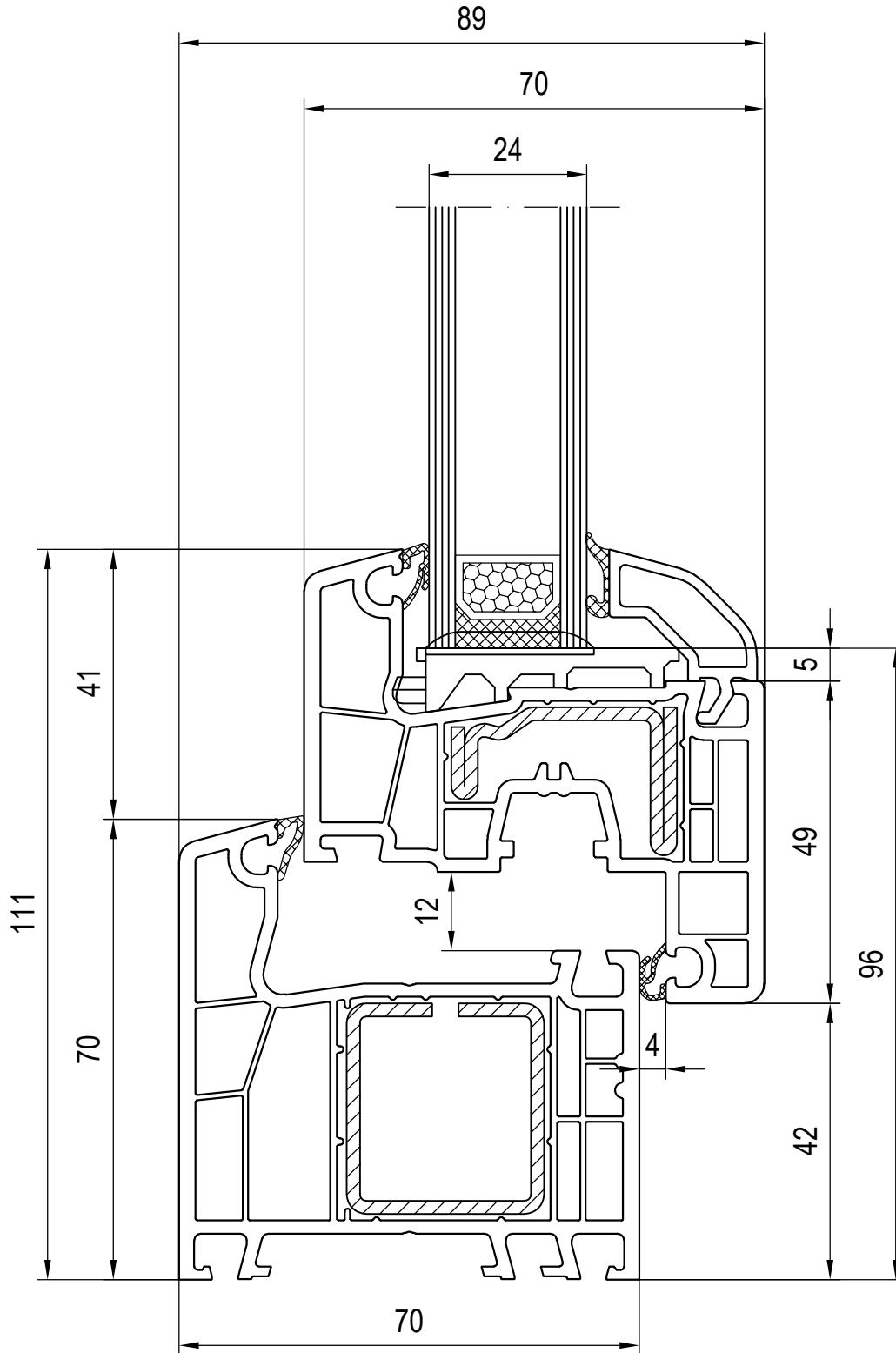
03\_D\_01\_4\*

en May be subject to change and errors excepted!

Combinations: frame - sash  
120850/120880 Glazing bead

Frame 140x07  
Sash 140x22





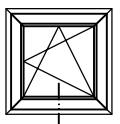
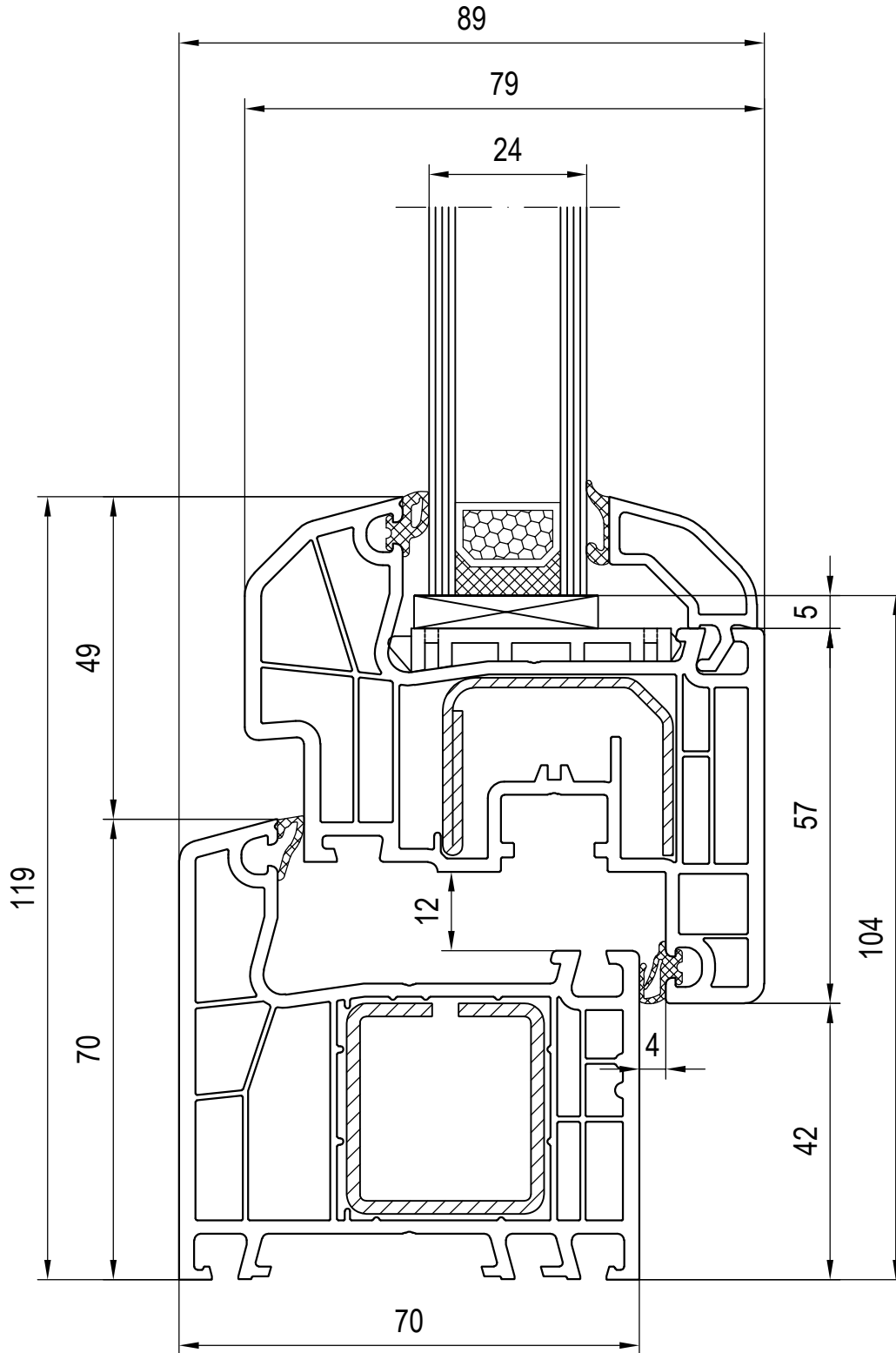
Scale 1:1

03\_D\_01\_4\*

en May be subject to change and errors excepted!

Combinations: frame - sash  
120846/120876 Glazing bead

Frame 140x07  
Sash 140x24



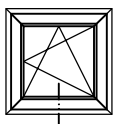
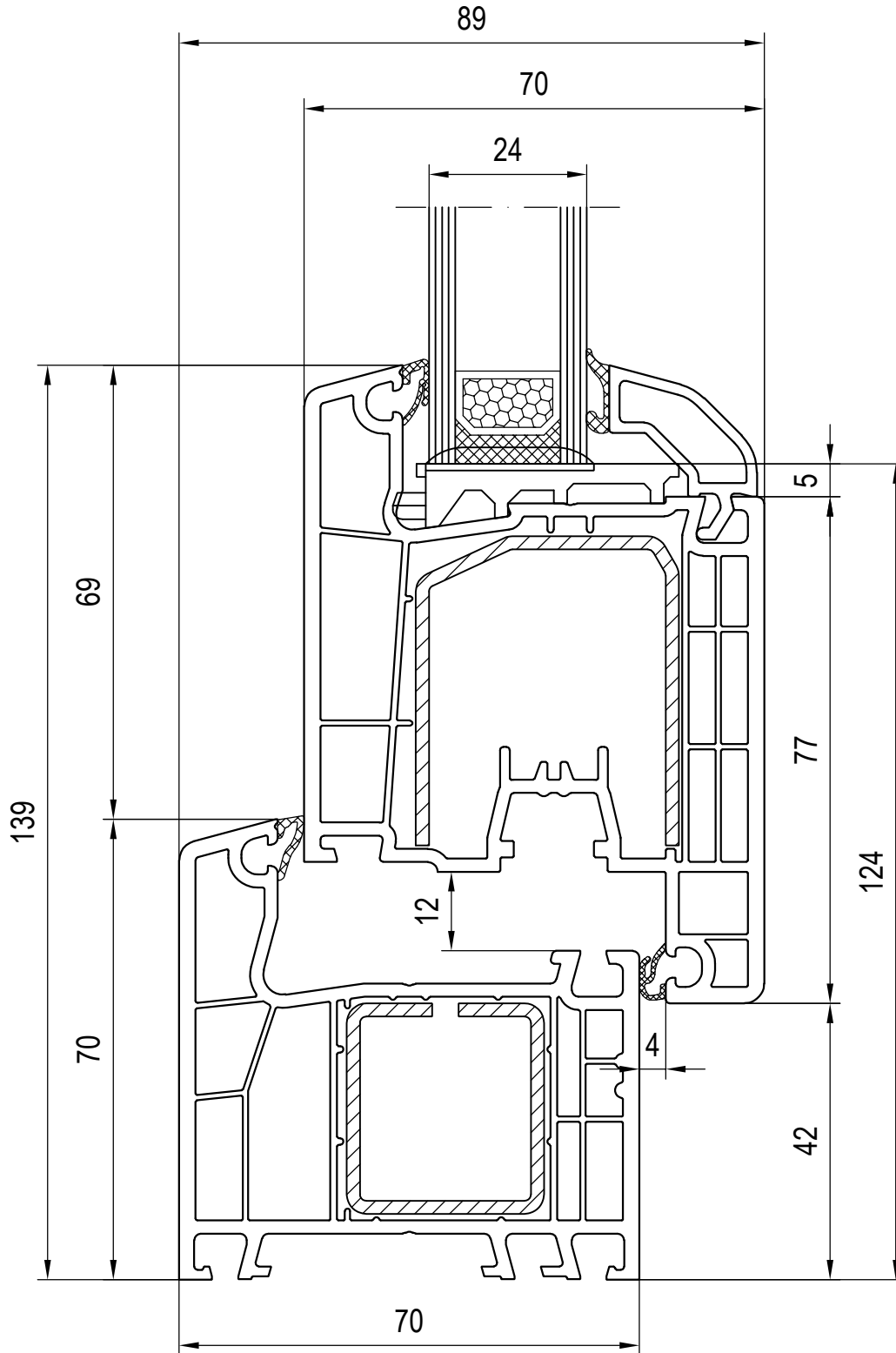
Scale 1:1

03\_D\_01\_4\*

en May be subject to change and errors excepted!

Combinations: frame - sash  
120846/120876 Glazing bead

Frame 140x07  
Sash 140x26



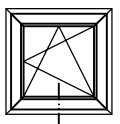
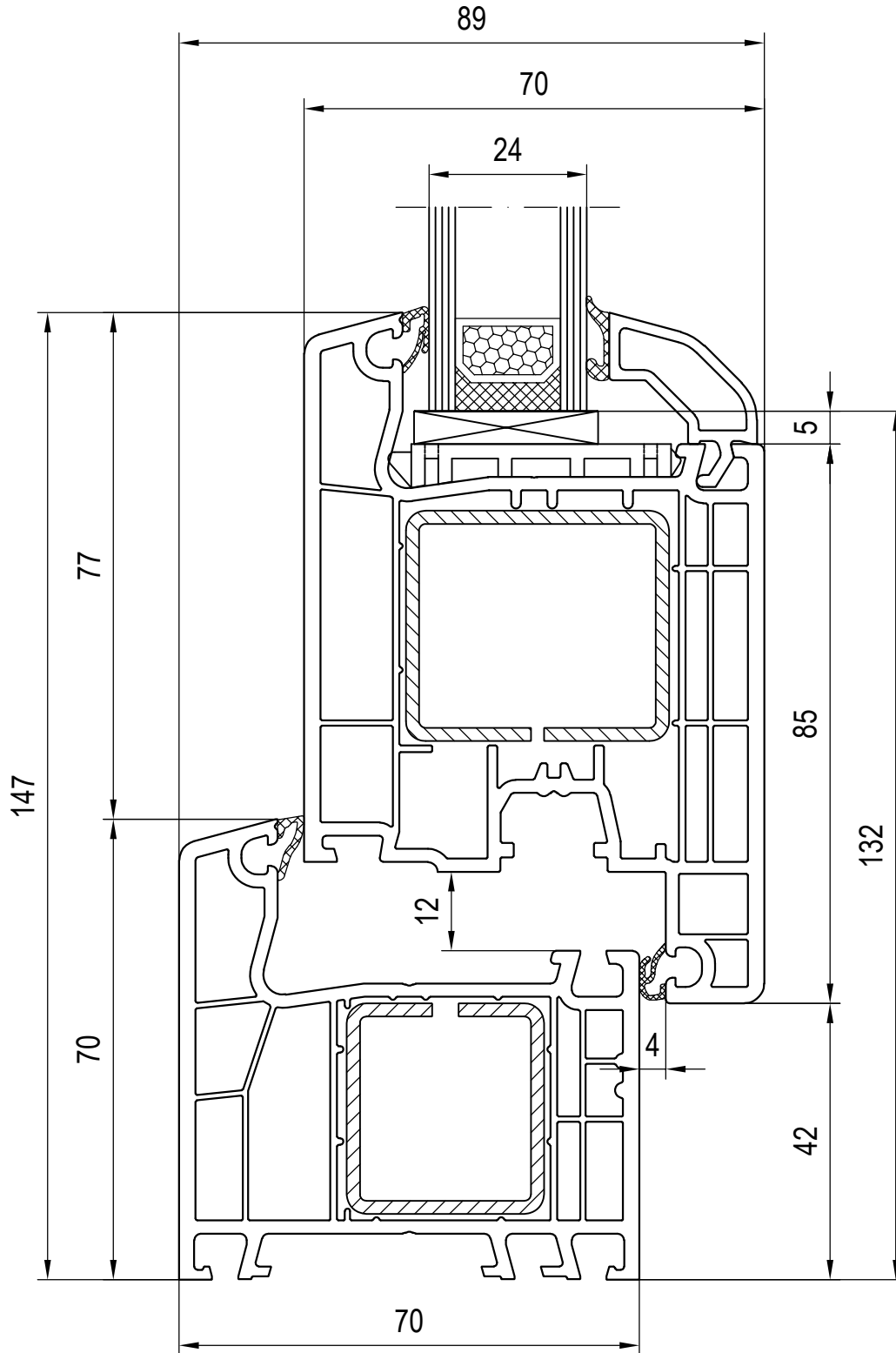
Scale 1:1

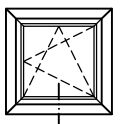
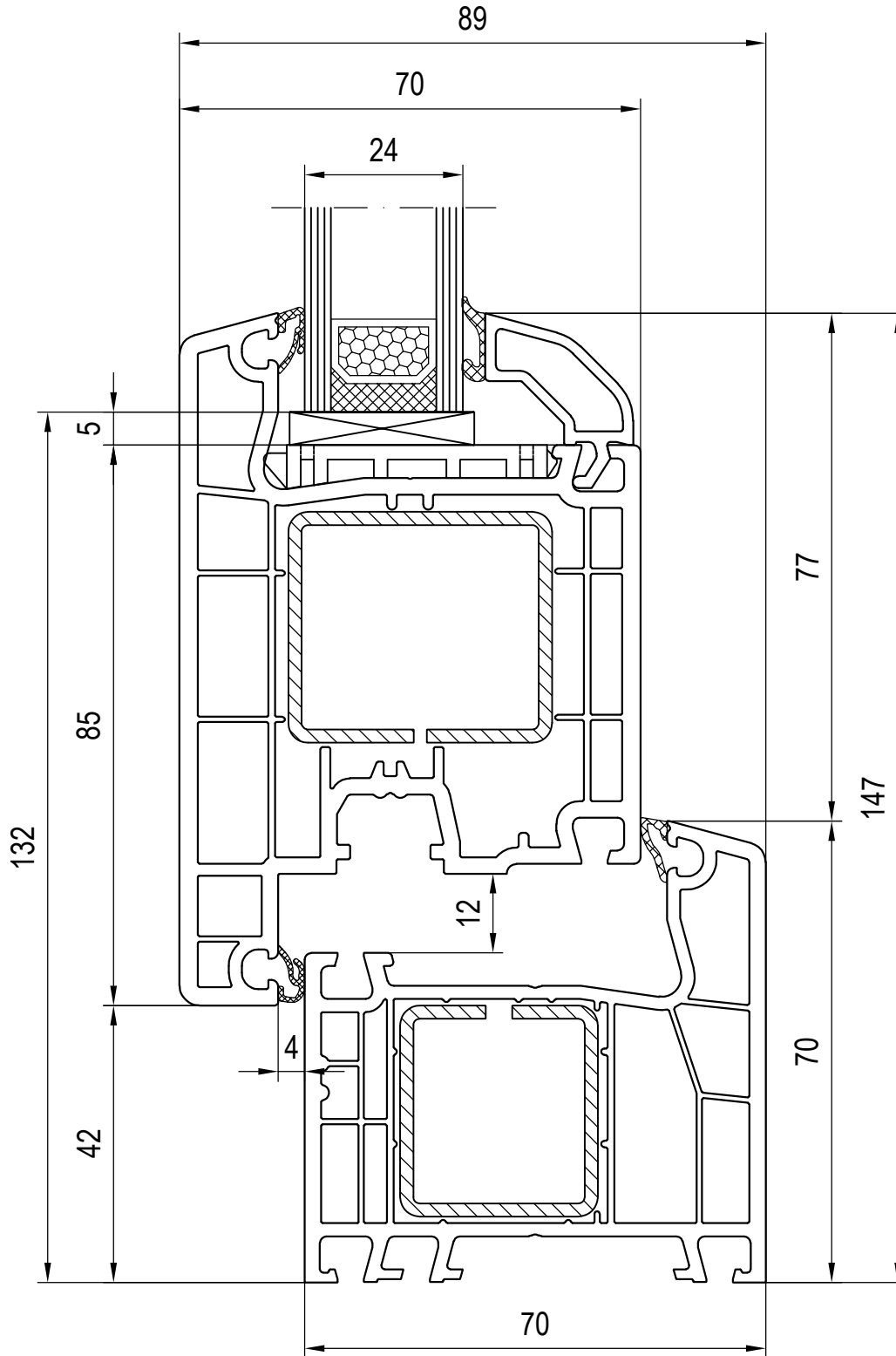
03\_D\_01\_4\*

en May be subject to change and errors excepted!

Combinations: frame - sash  
120846/120876 Glazing bead

Frame 140x07  
Sash 140x28





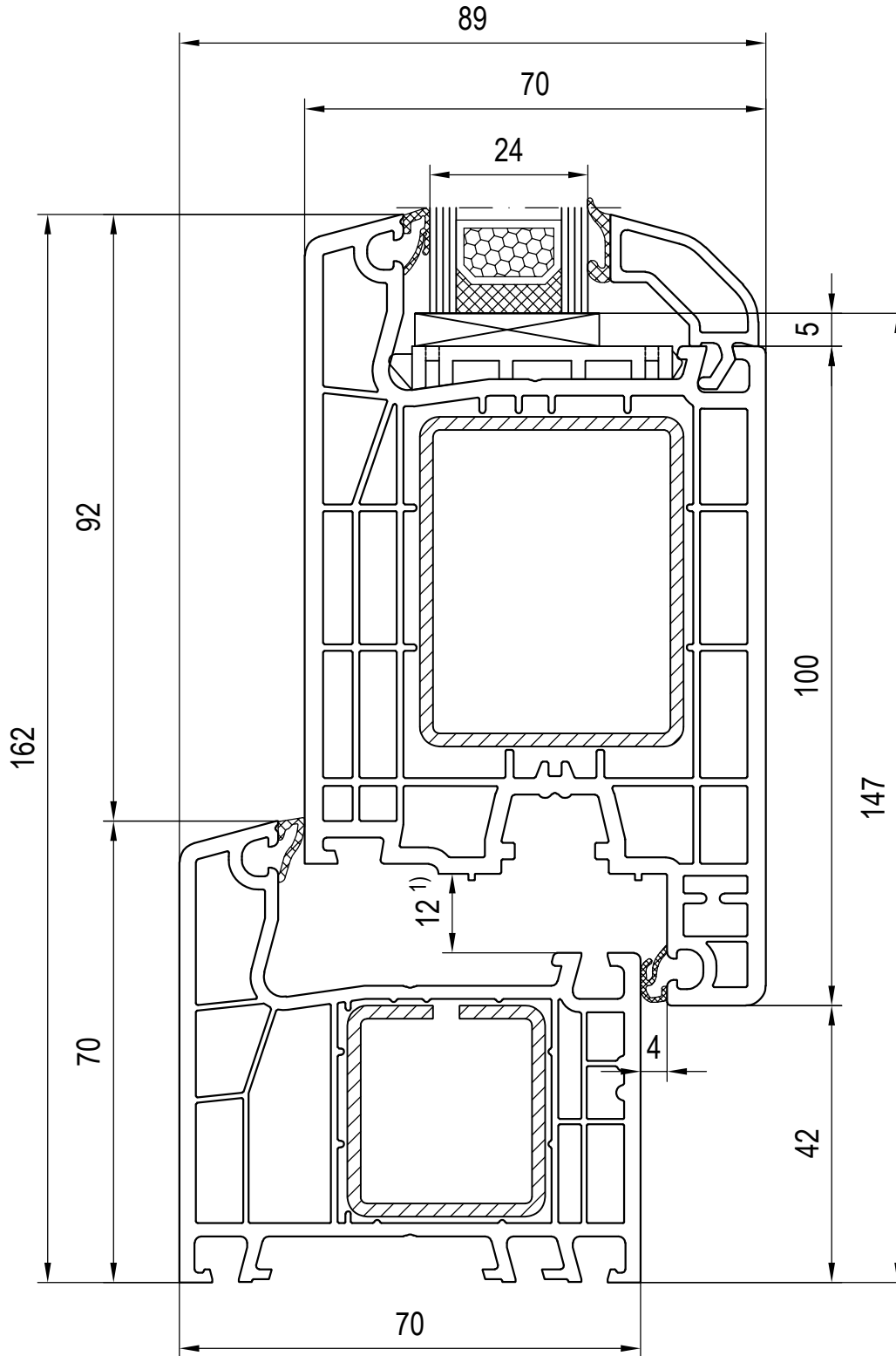
Scale 1:1

03\_D\_01\_4\*

en May be subject to change and errors excepted!

Combinations: frame - sash  
120846/120876 Glazing bead

Frame 140x07  
Sash 140x31



1) Rebate clearance of main entrance door on left and right side = 13 mm

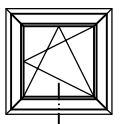
Scale 1:1

03\_D\_01\_4\*

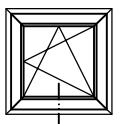
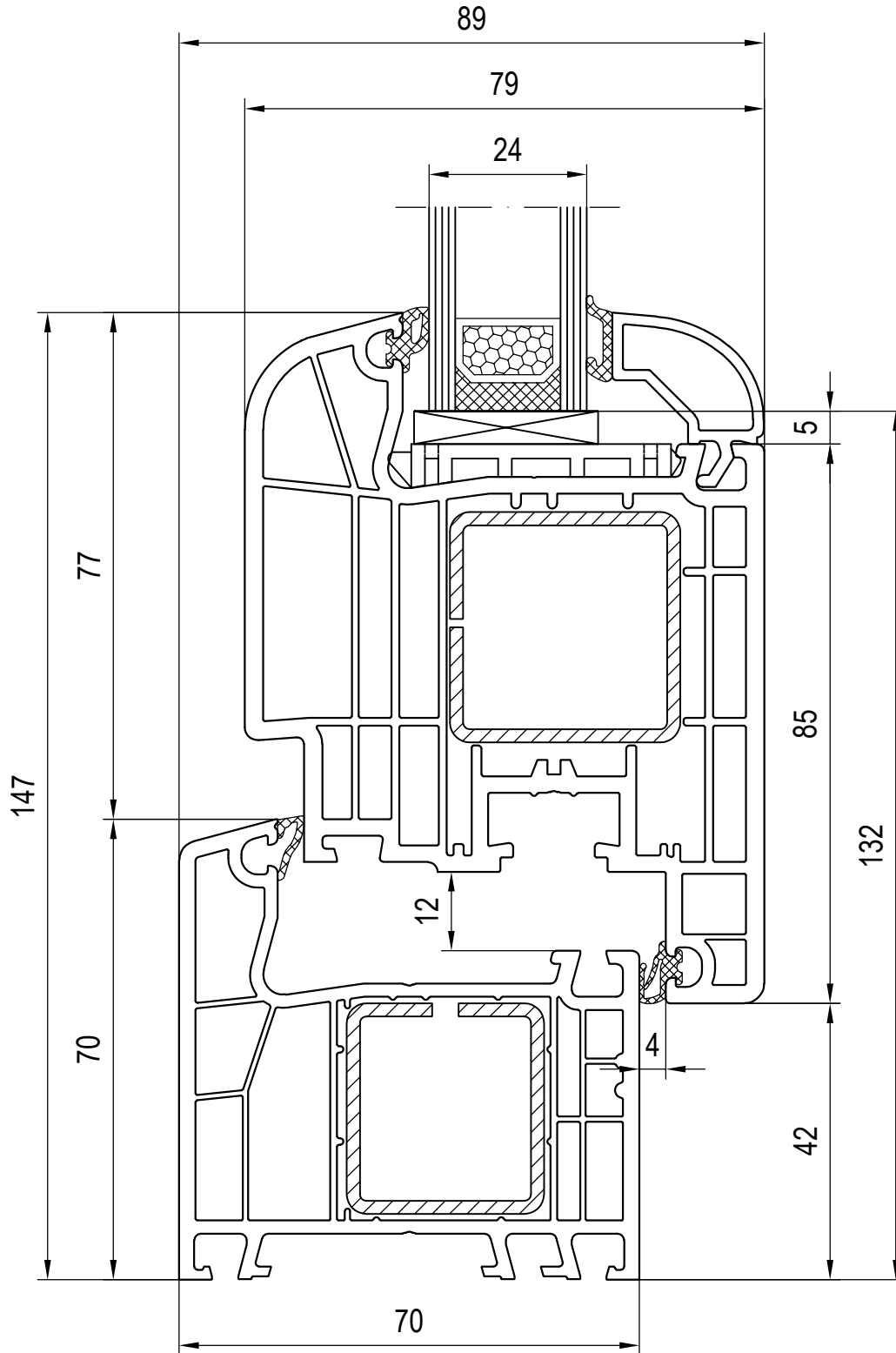
en May be subject to change and errors excepted!

Combinations: frame - sash  
120846/120876 Glazing bead

Frame 140x07  
Sash 140x33







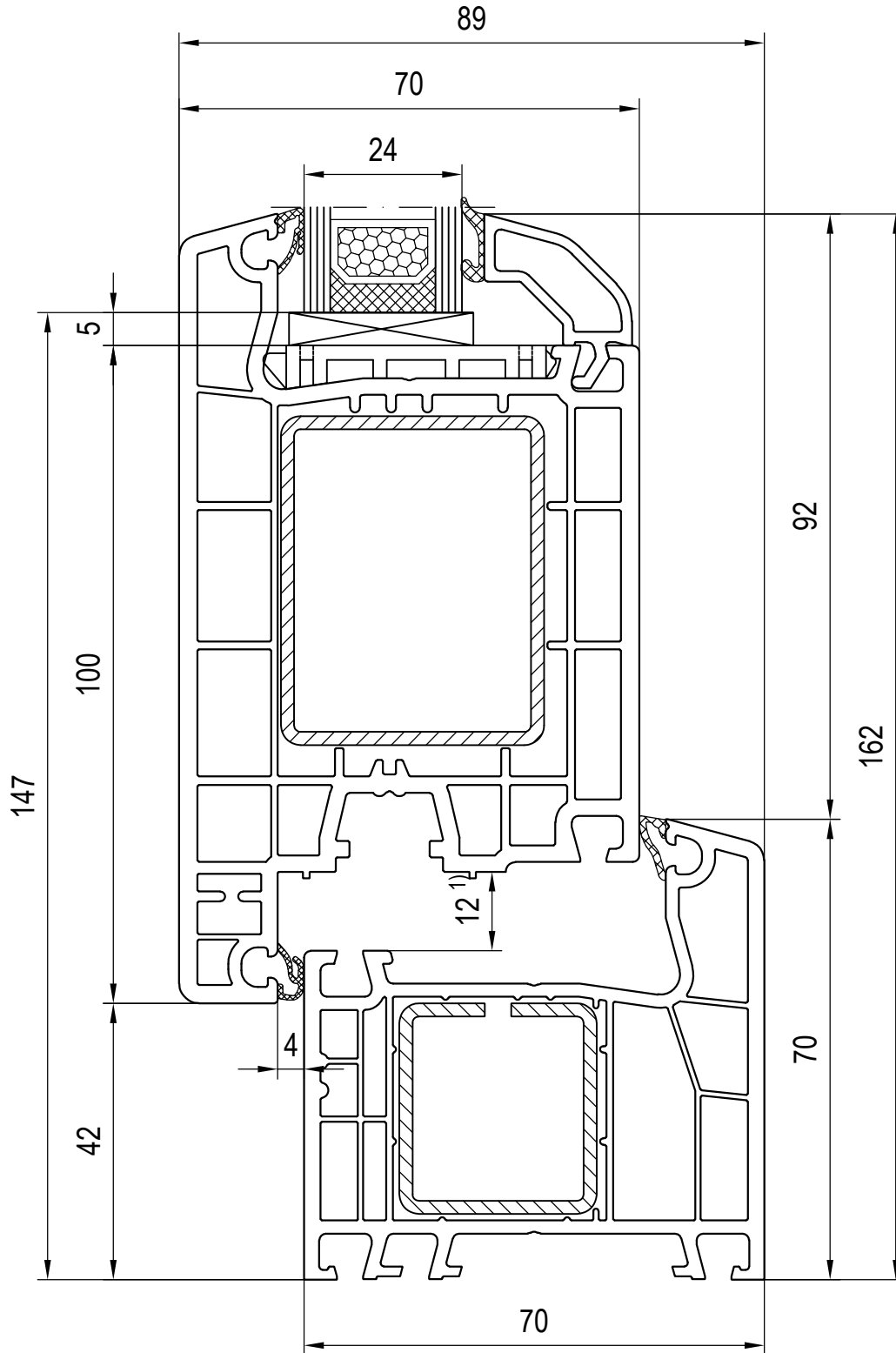
Scale 1:1

03\_D\_01\_4\*

en May be subject to change and errors excepted!

Combinations: frame - sash  
120850/120880 Glazing bead

Frame 140x07  
Sash 140x34



1) Rebate clearance of main entrance door on left and right side = 13 mm

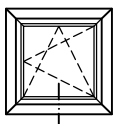
Scale 1:1

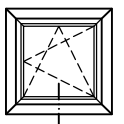
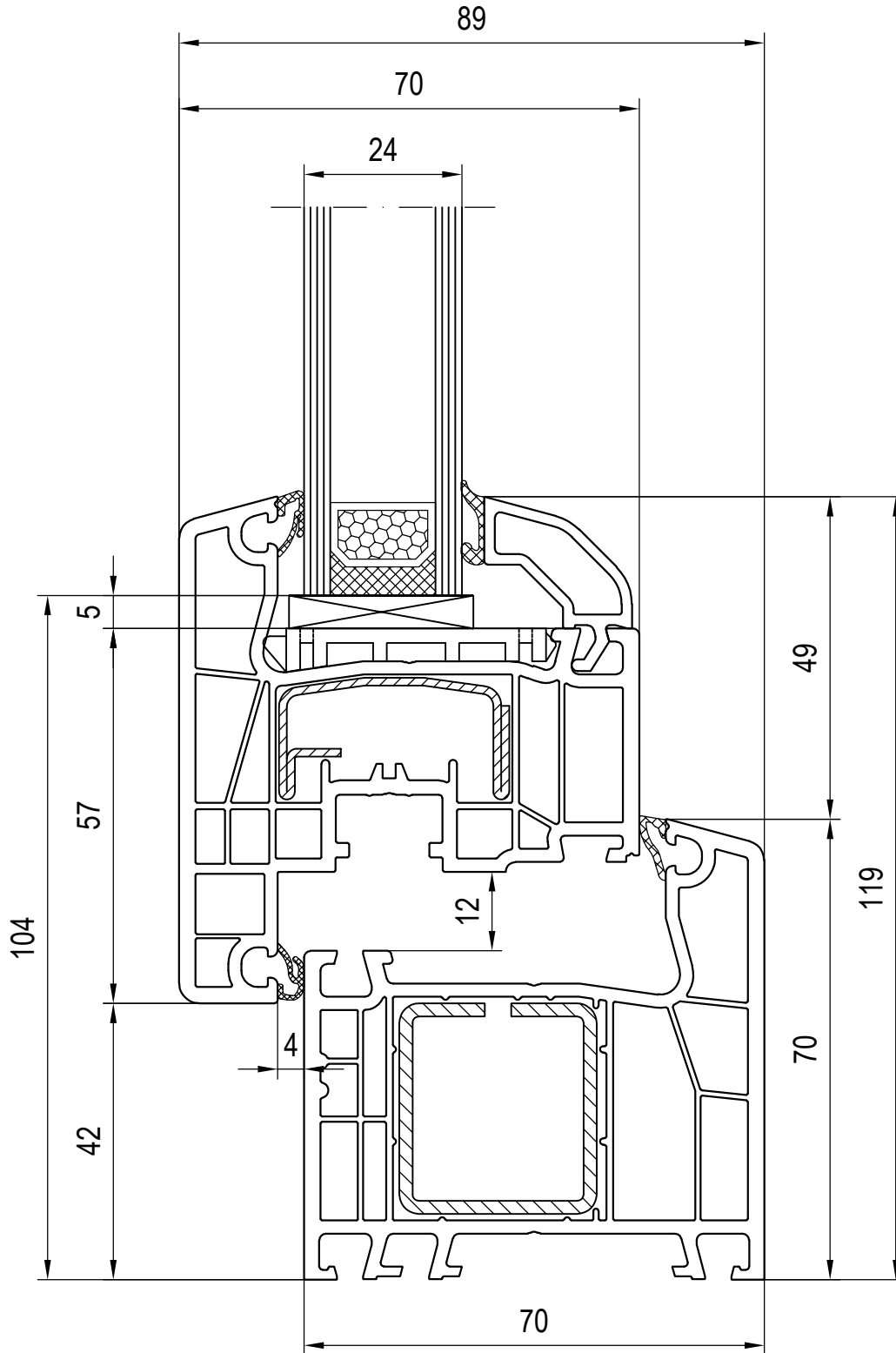
03\_D\_01\_4\*

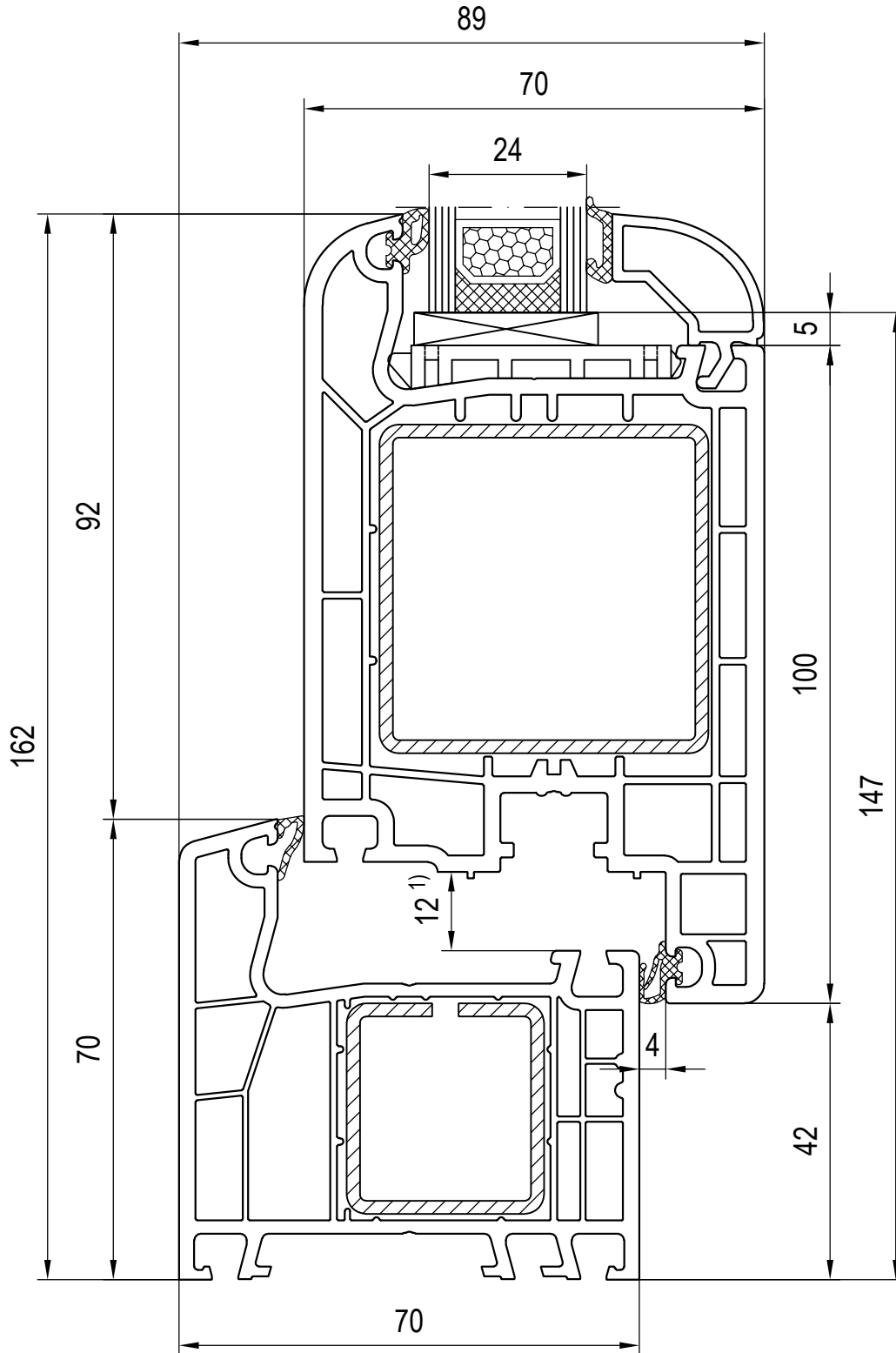
en May be subject to change and errors excepted!

Combinations: frame - sash  
120846/120876 Glazing bead

Frame 140x07  
Sash 140x35







1) Rebate clearance of main entrance door on left and right side = 13 mm

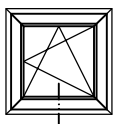
Scale 1:1

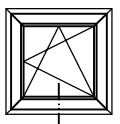
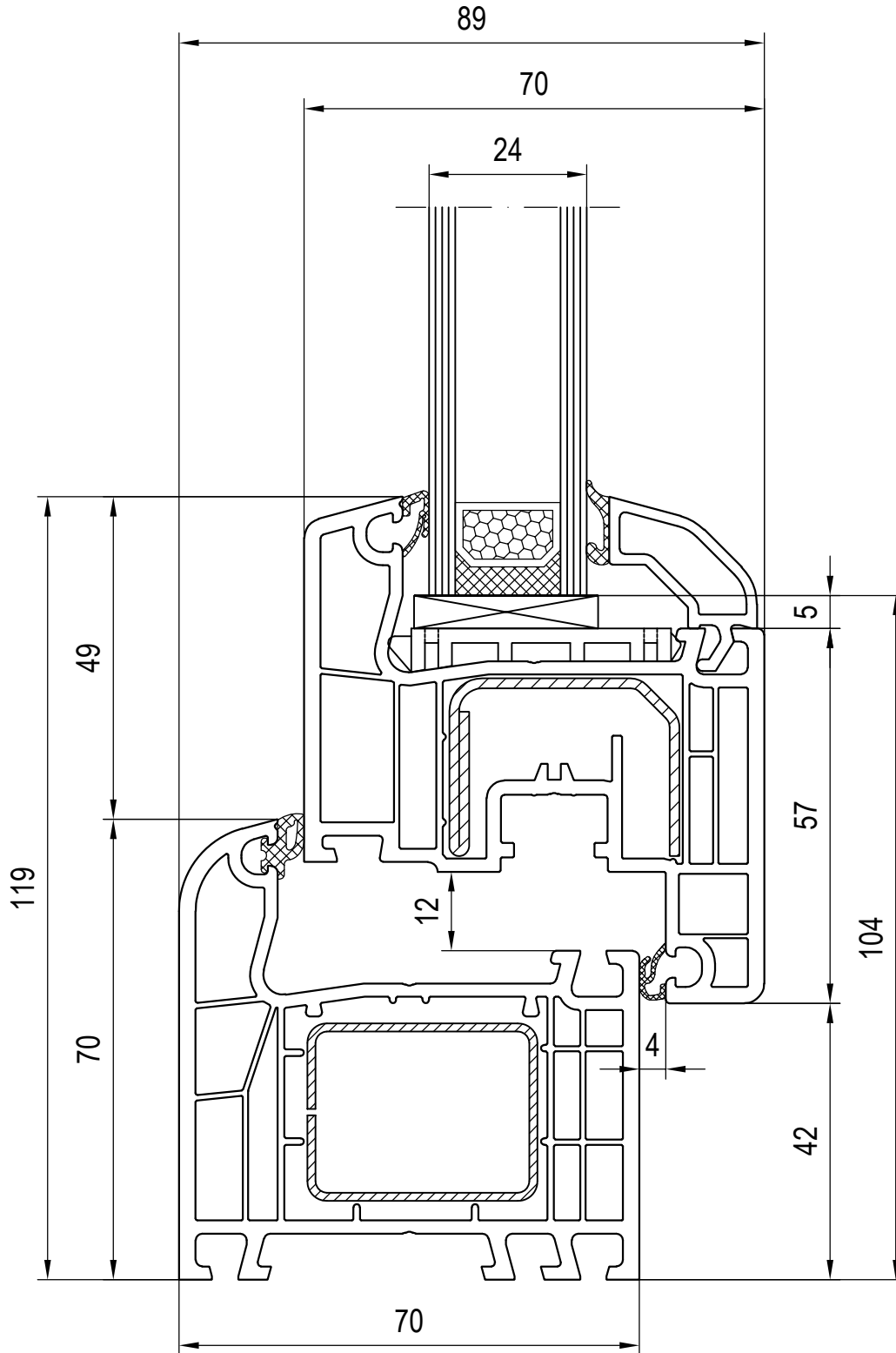
03\_D\_01\_4\*

en May be subject to change and errors excepted!

Combinations: frame - sash  
120850/120880 Glazing bead

Frame 140x07  
Sash 140x38





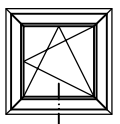
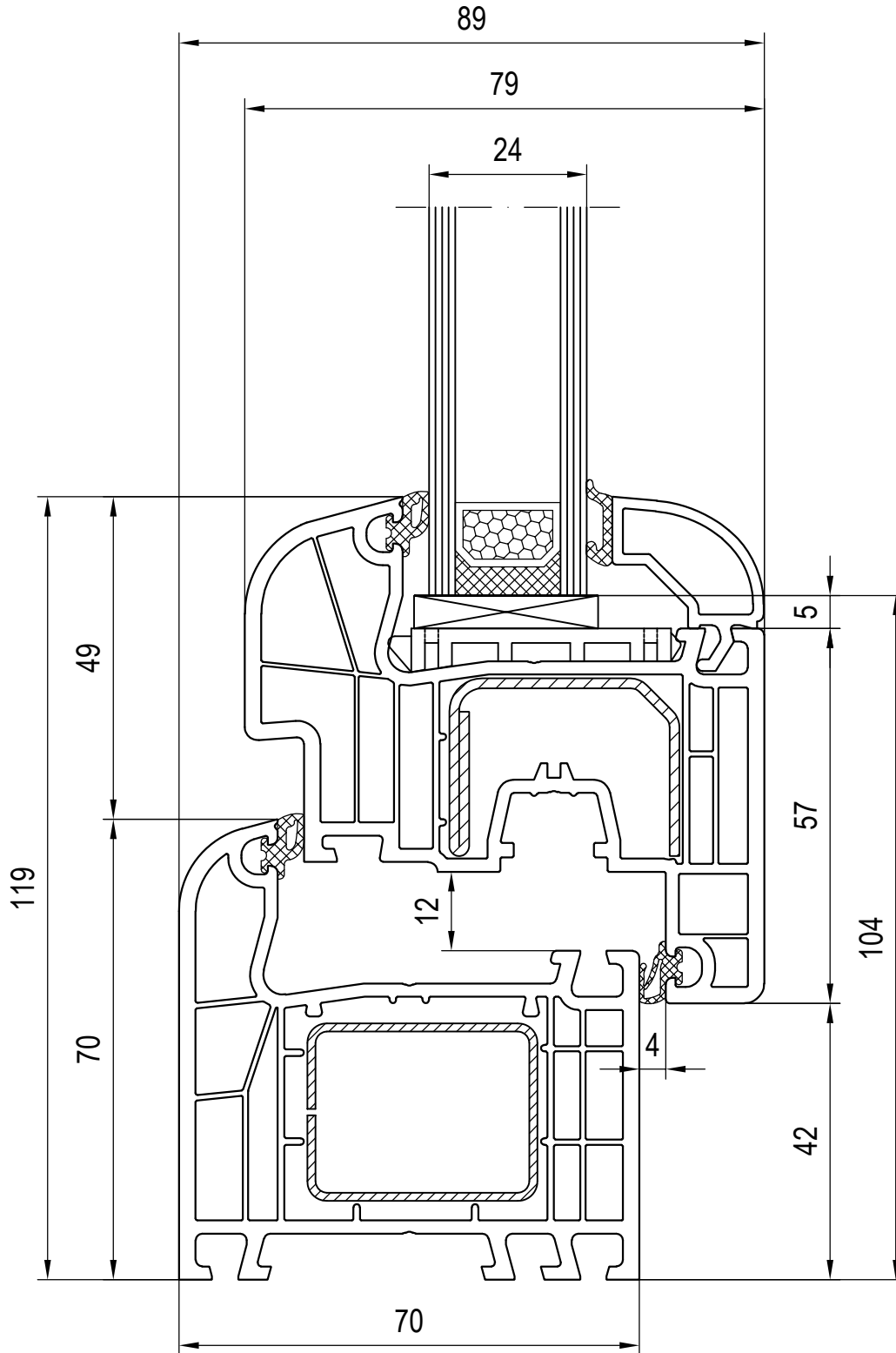
Scale 1:1

03\_D\_01\_4\*

en May be subject to change and errors excepted!

Combinations: frame - sash  
120846/120876 Glazing bead

Frame 140x08  
Sash 140x20



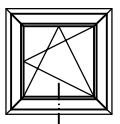
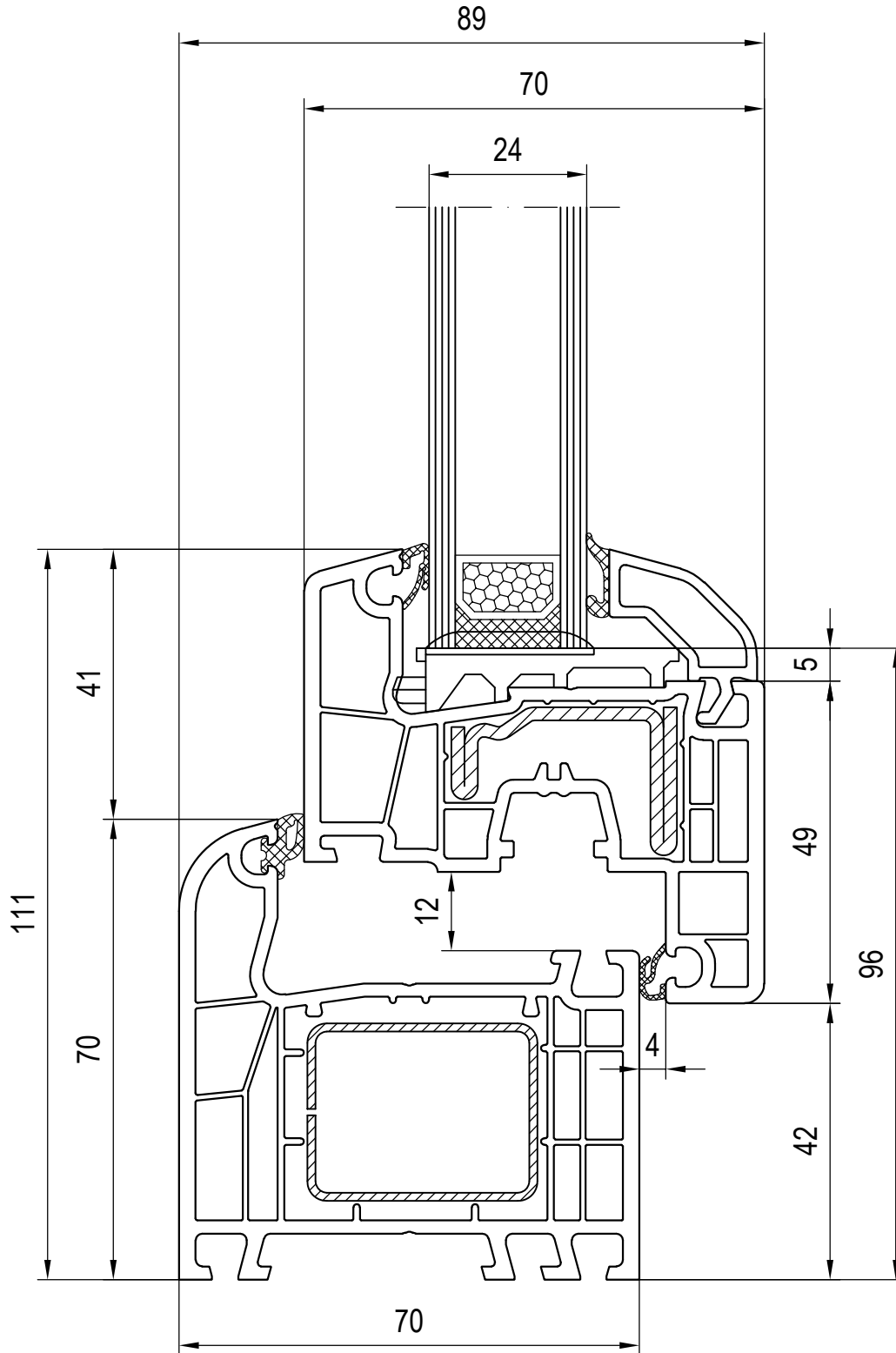
Scale 1:1

03\_D\_01\_4\*

en May be subject to change and errors excepted!

Combinations: frame - sash  
120850/120880 Glazing bead

Frame 140x08  
Sash 140x22



Scale 1:1

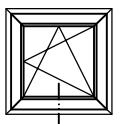
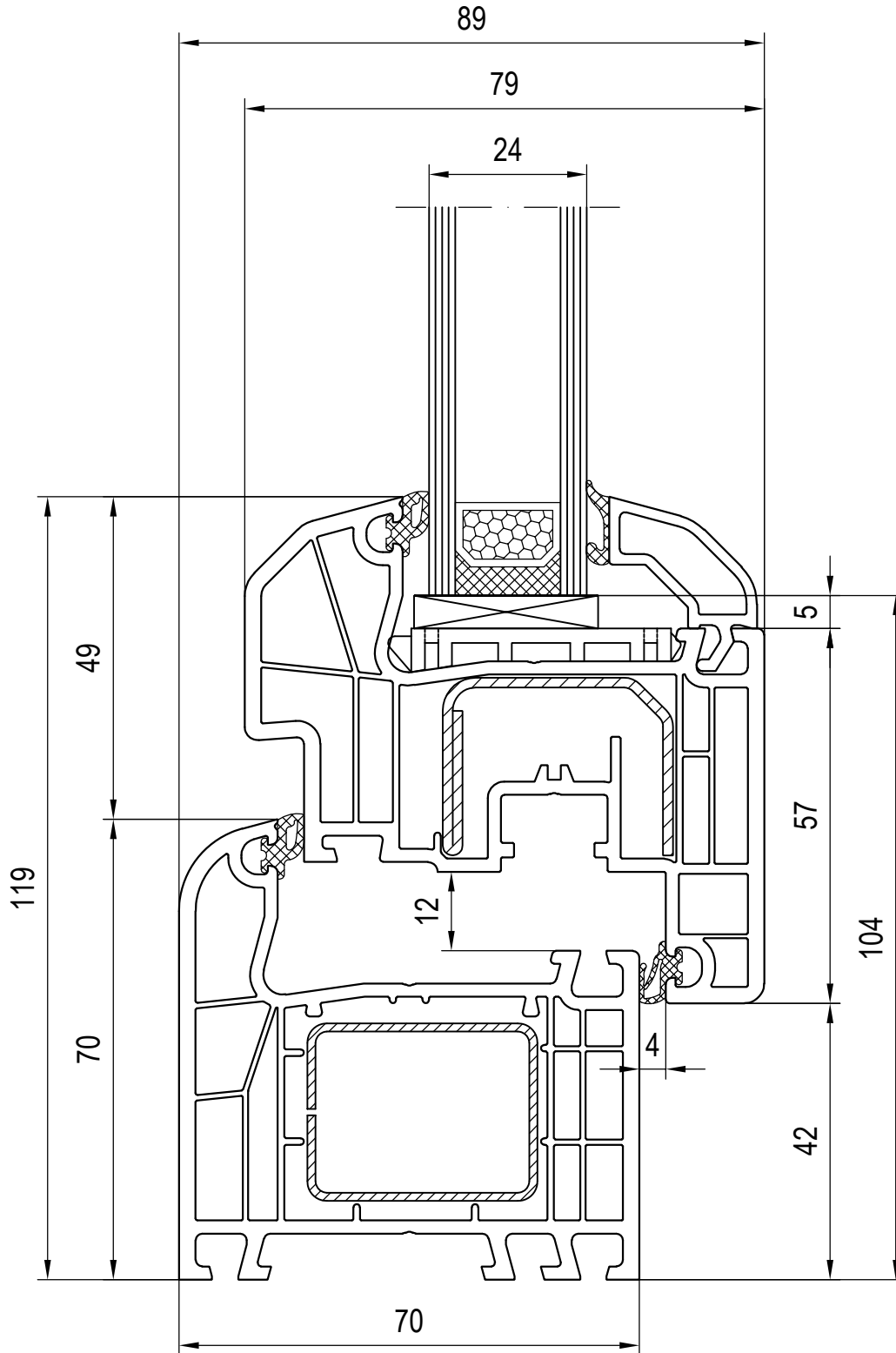
03\_D\_01\_4\*

en May be subject to change and errors excepted!

Combinations: frame - sash  
120846/120876 Glazing bead

Frame 140x08  
Sash 140x24





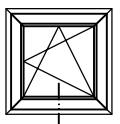
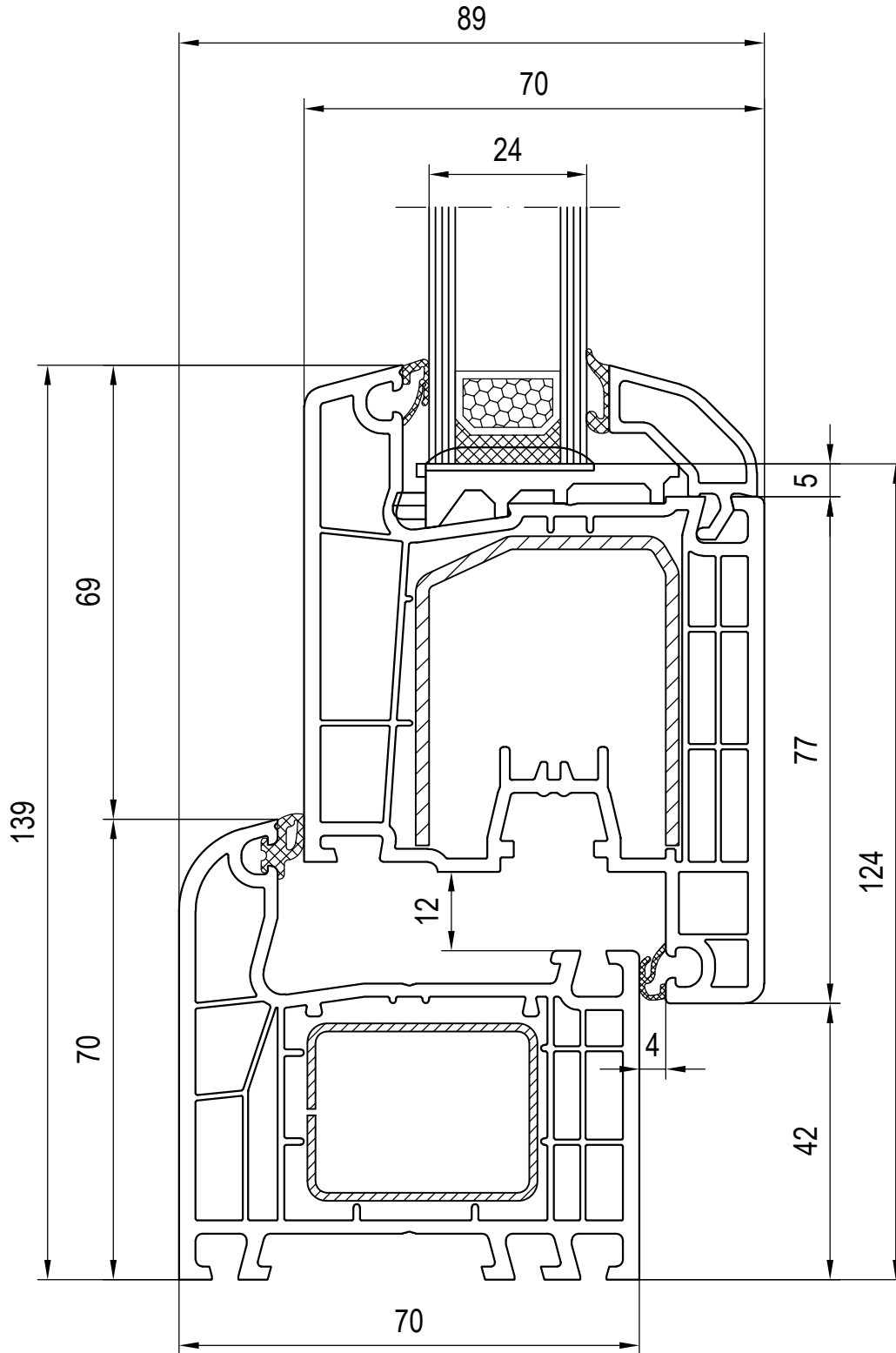
Scale 1:1

03\_D\_01\_4\*

en May be subject to change and errors excepted!

Combinations: frame - sash  
120846/120876 Glazing bead

Frame 140x08  
Sash 140x26



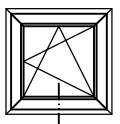
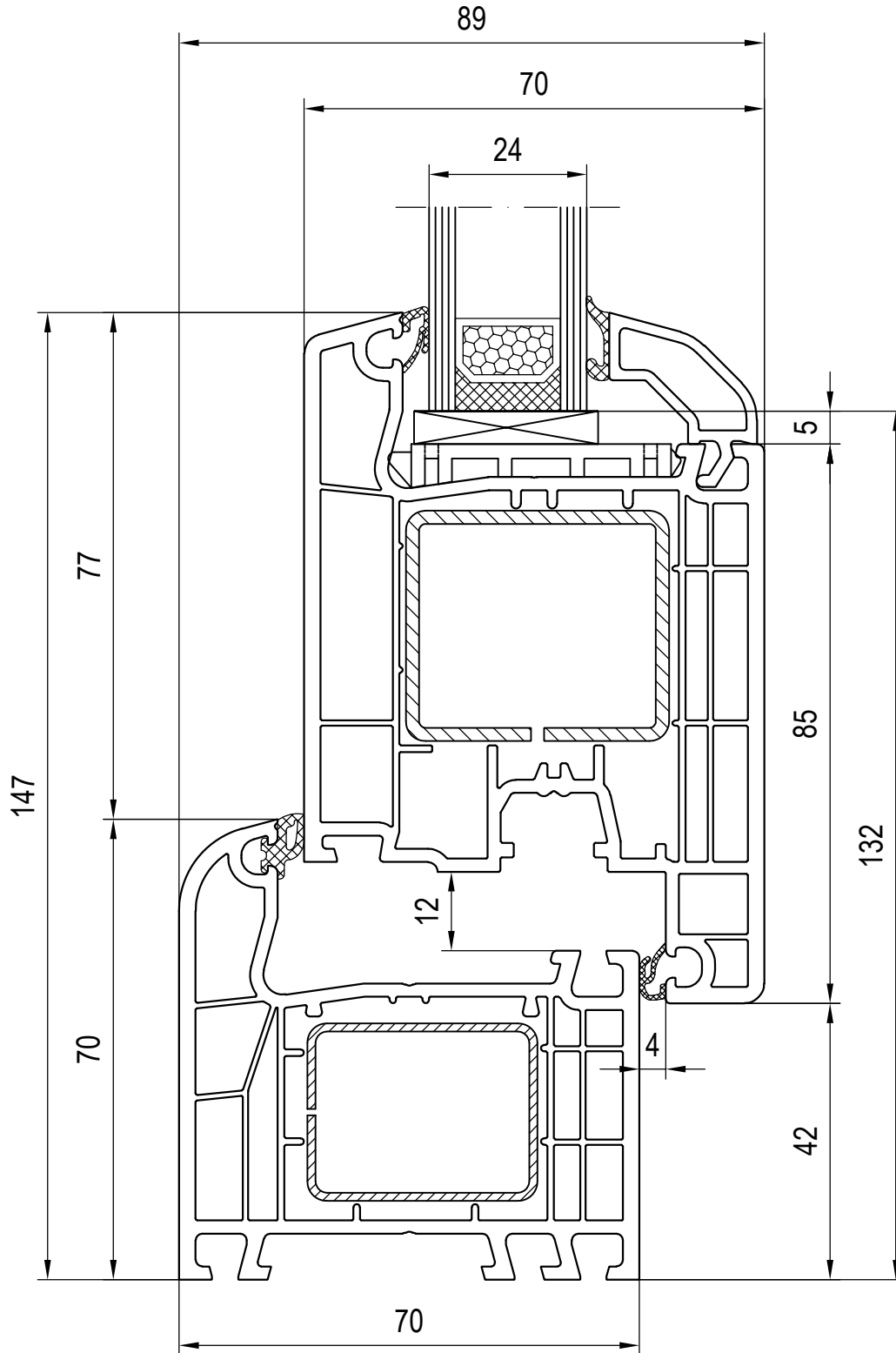
Scale 1:1

03\_D\_01\_4\*

en May be subject to change and errors excepted!

Combinations: frame - sash  
120846/120876 Glazing bead

Frame 140x08  
Sash 140x28



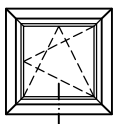
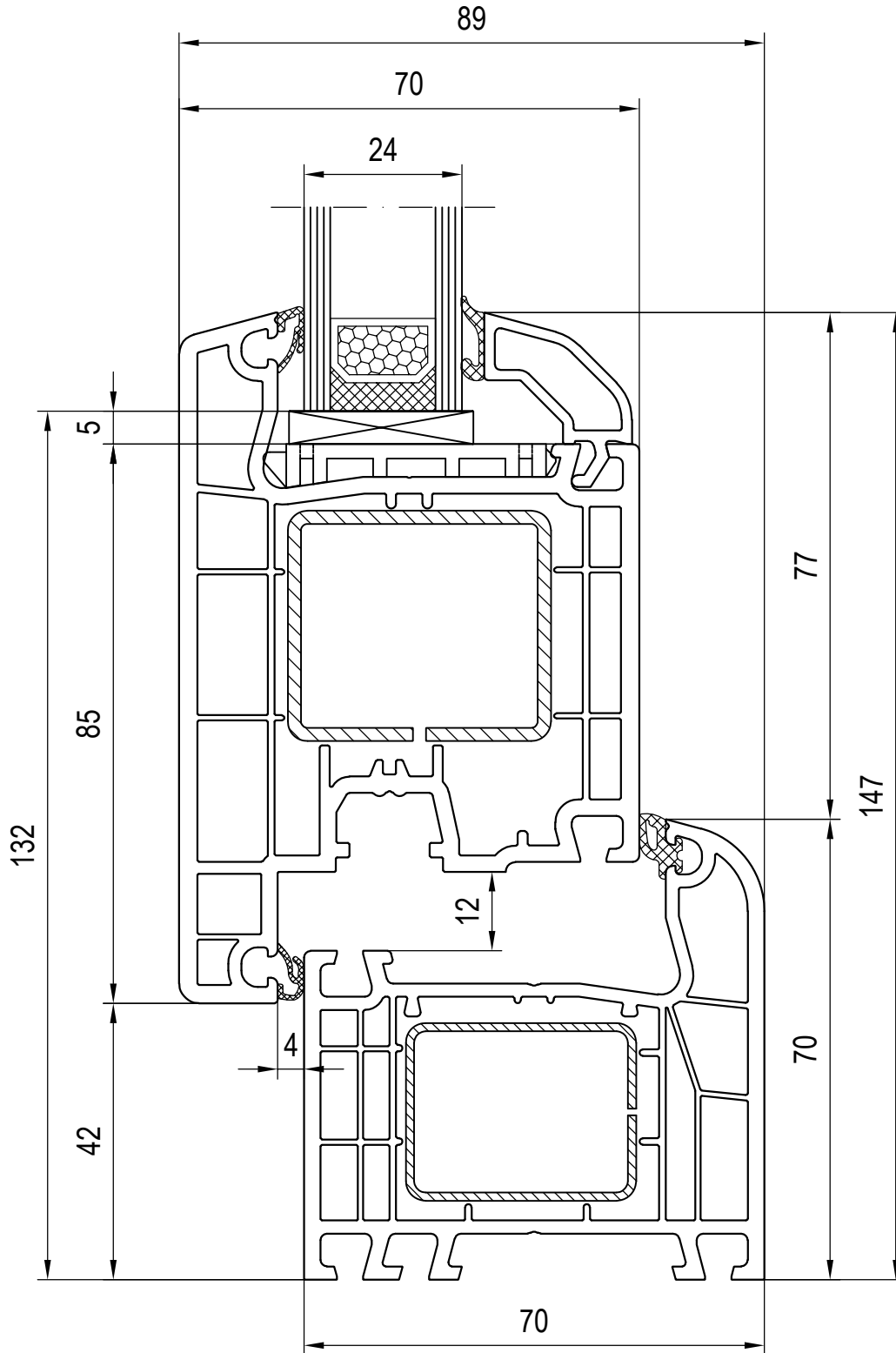
Scale 1:1

03\_D\_01\_4\*

en May be subject to change and errors excepted!

Combinations: frame - sash  
120846/120876 Glazing bead

Frame 140x08  
Sash 140x30



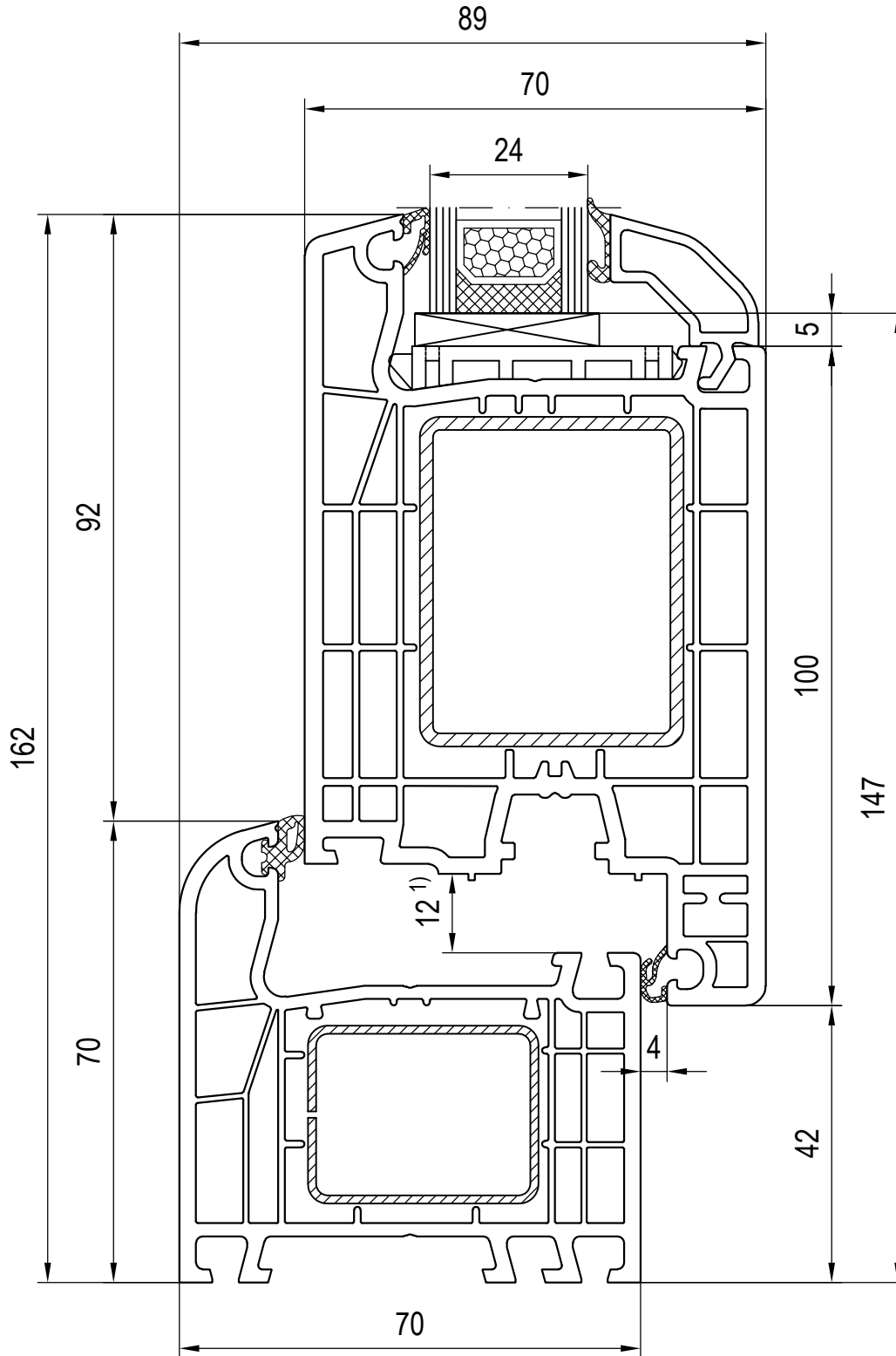
Scale 1:1

03\_D\_01\_4\*

en May be subject to change and errors excepted!

Combinations: frame - sash  
120846/120876 Glazing bead

Frame 140x08  
Sash 140x31



1) Rebate clearance of main entrance door on left and right side = 13 mm

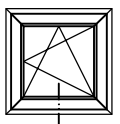
Scale 1:1

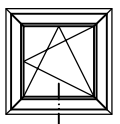
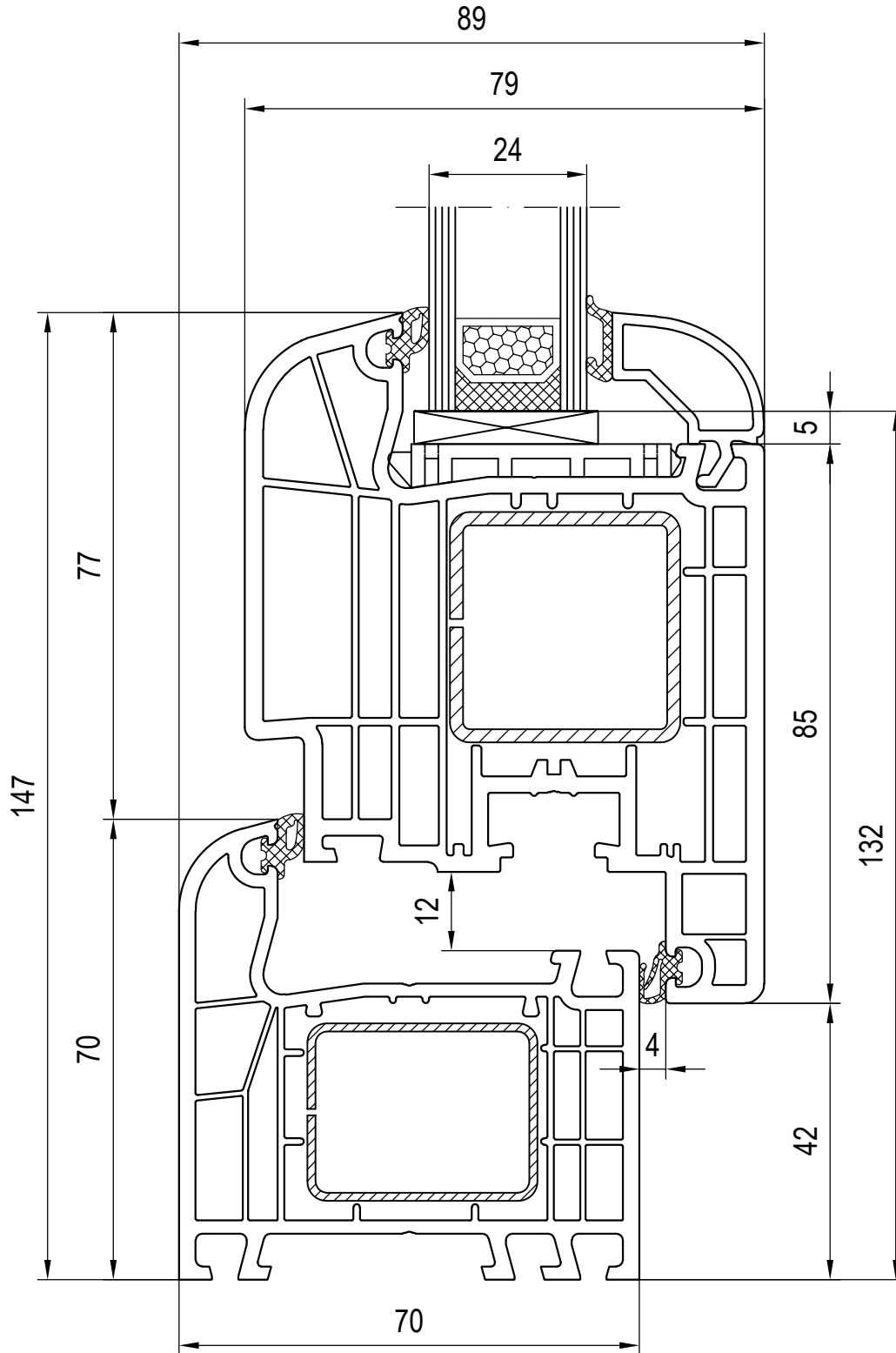
03\_D\_01\_4\*

en May be subject to change and errors excepted!

Combinations: frame - sash  
120846/120876 Glazing bead

Frame 140x08  
Sash 140x33





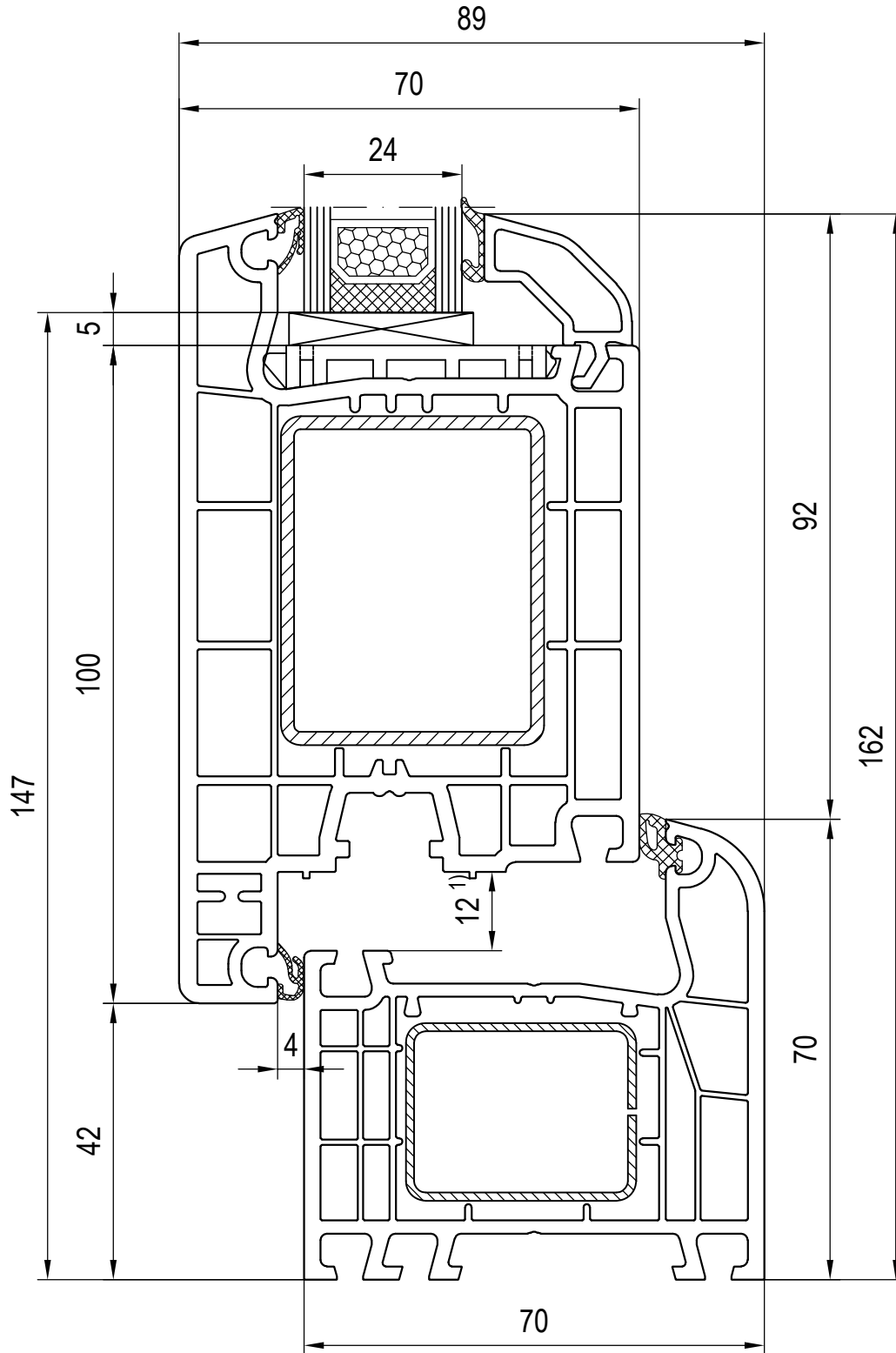
Scale 1:1

03\_D\_01\_4\*

en May be subject to change and errors excepted!

Combinations: frame - sash  
120850/120880 Glazing bead

Frame 140x08  
Sash 140x34



1) Rebate clearance of main entrance door on left and right side = 13 mm

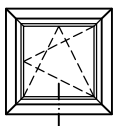
Scale 1:1

03\_D\_01\_4\*

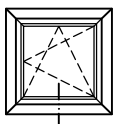
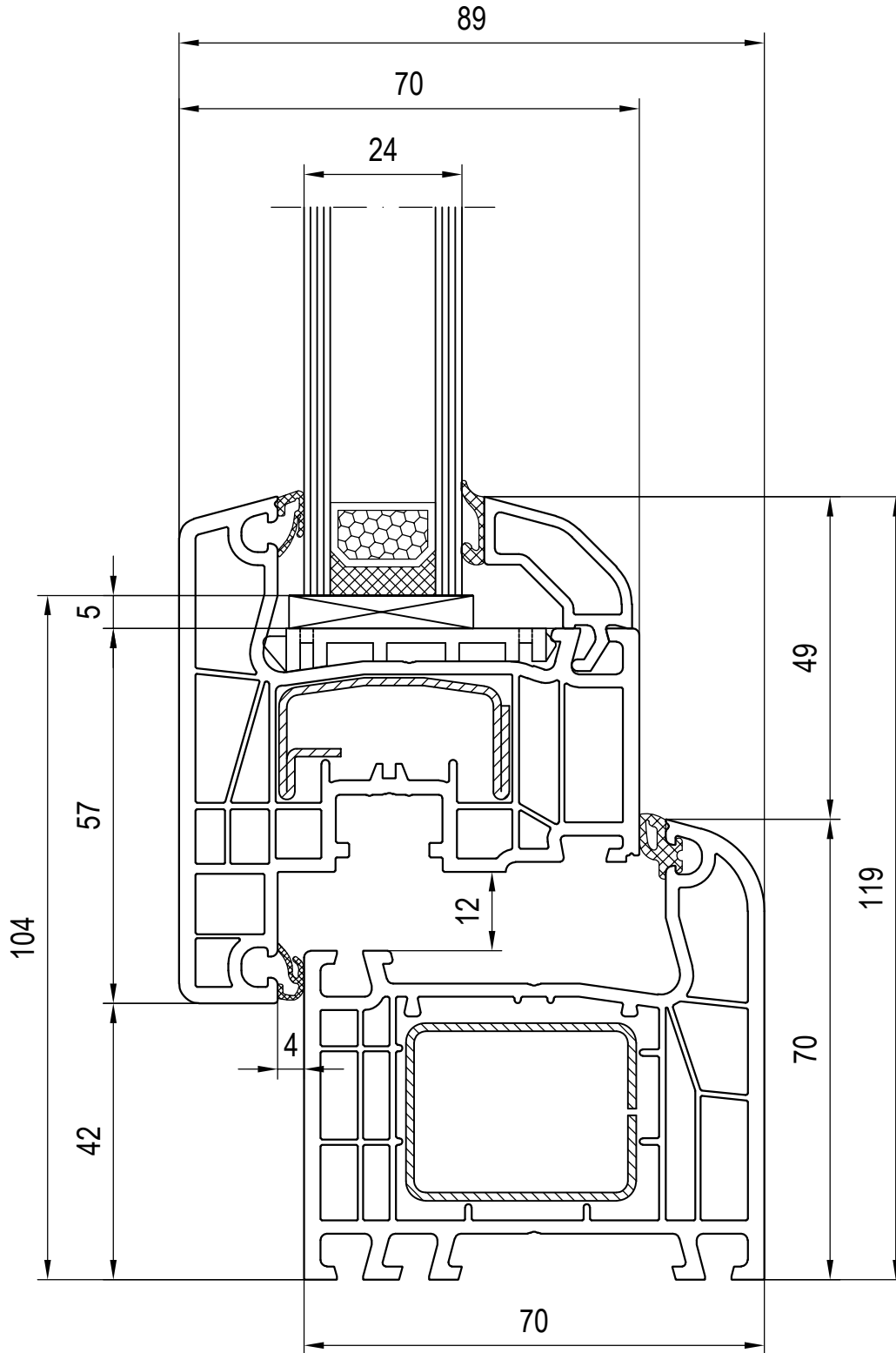
en May be subject to change and errors excepted!

Combinations: frame - sash  
120846/120876 Glazing bead

Frame 140x08  
Sash 140x35







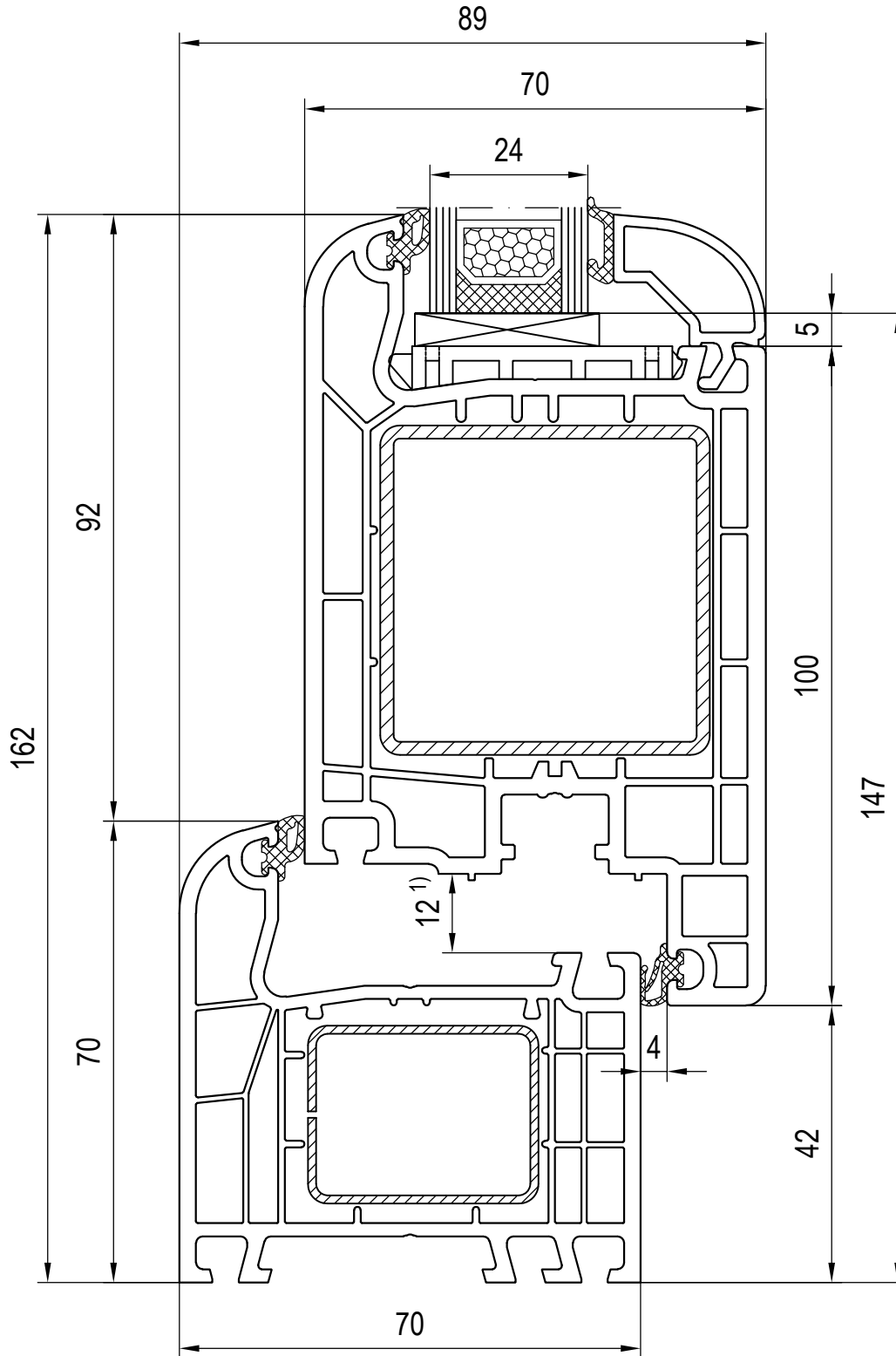
Scale 1:1

03\_D\_01\_4\*

en May be subject to change and errors excepted!

Combinations: frame - sash  
120846/120876 Glazing bead

Frame 140x08  
Sash 140x37



1) Rebate clearance of main entrance door on left and right side = 13 mm

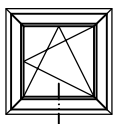
Scale 1:1

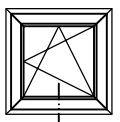
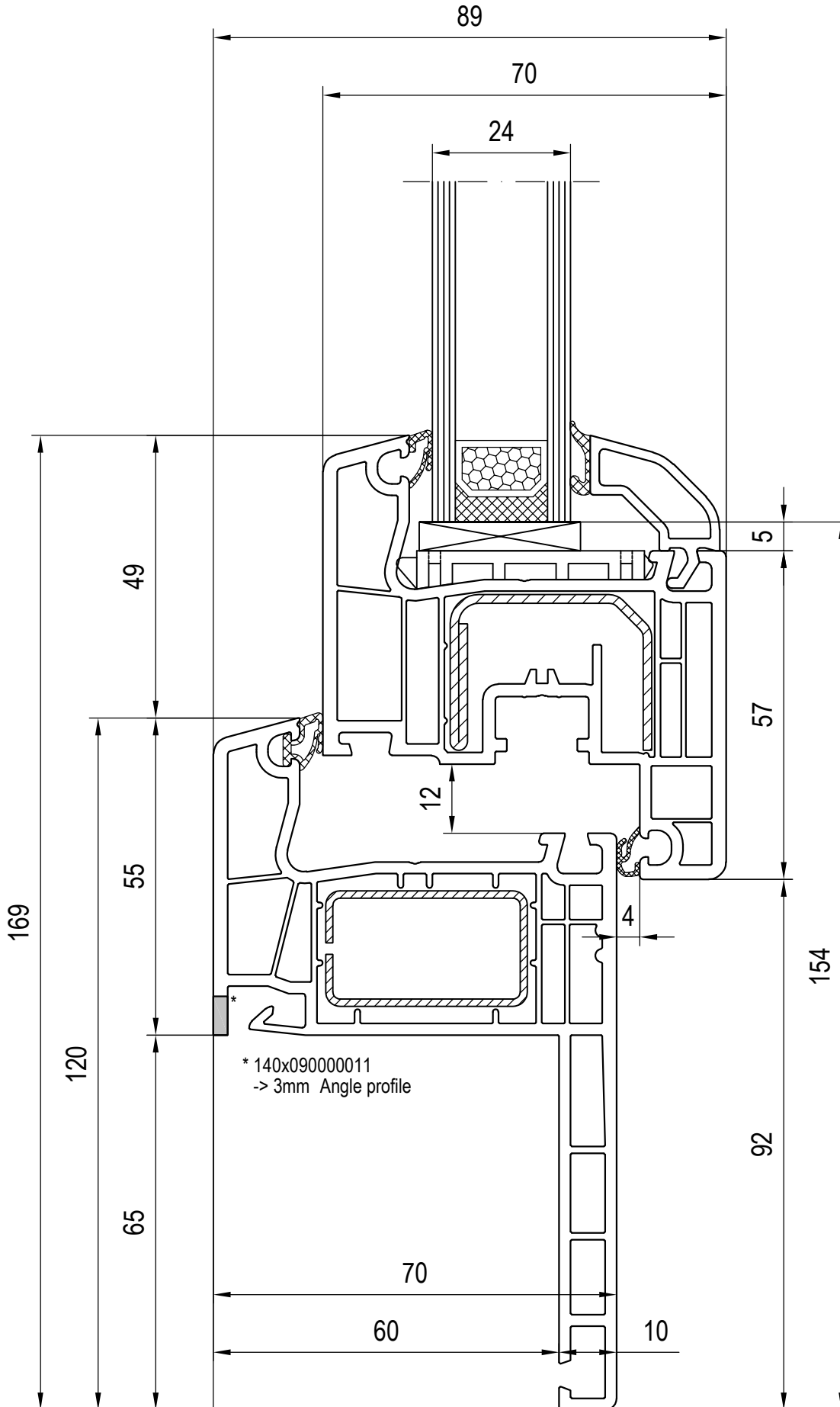
03\_D\_01\_4\*

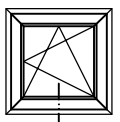
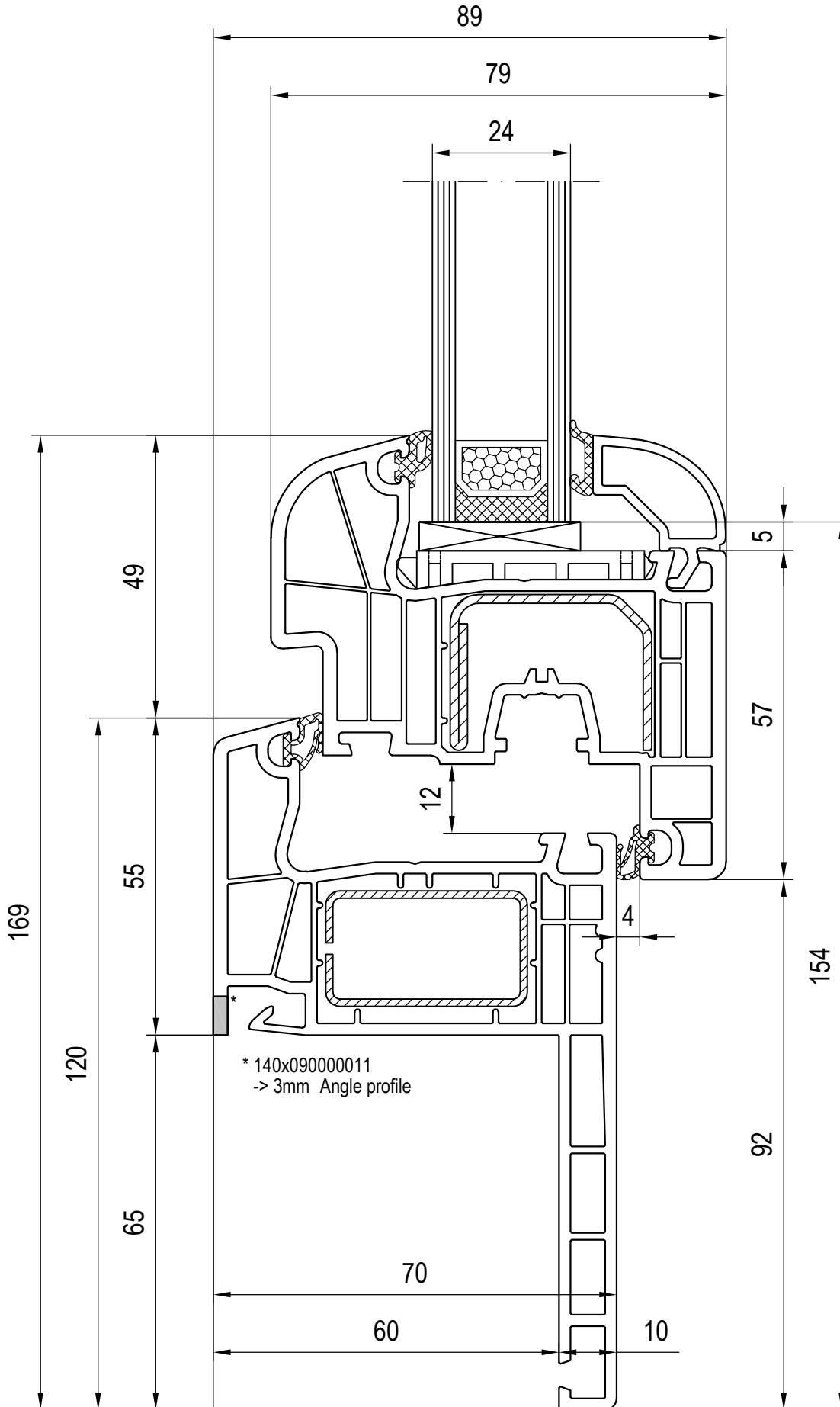
en May be subject to change and errors excepted!

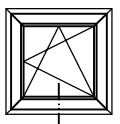
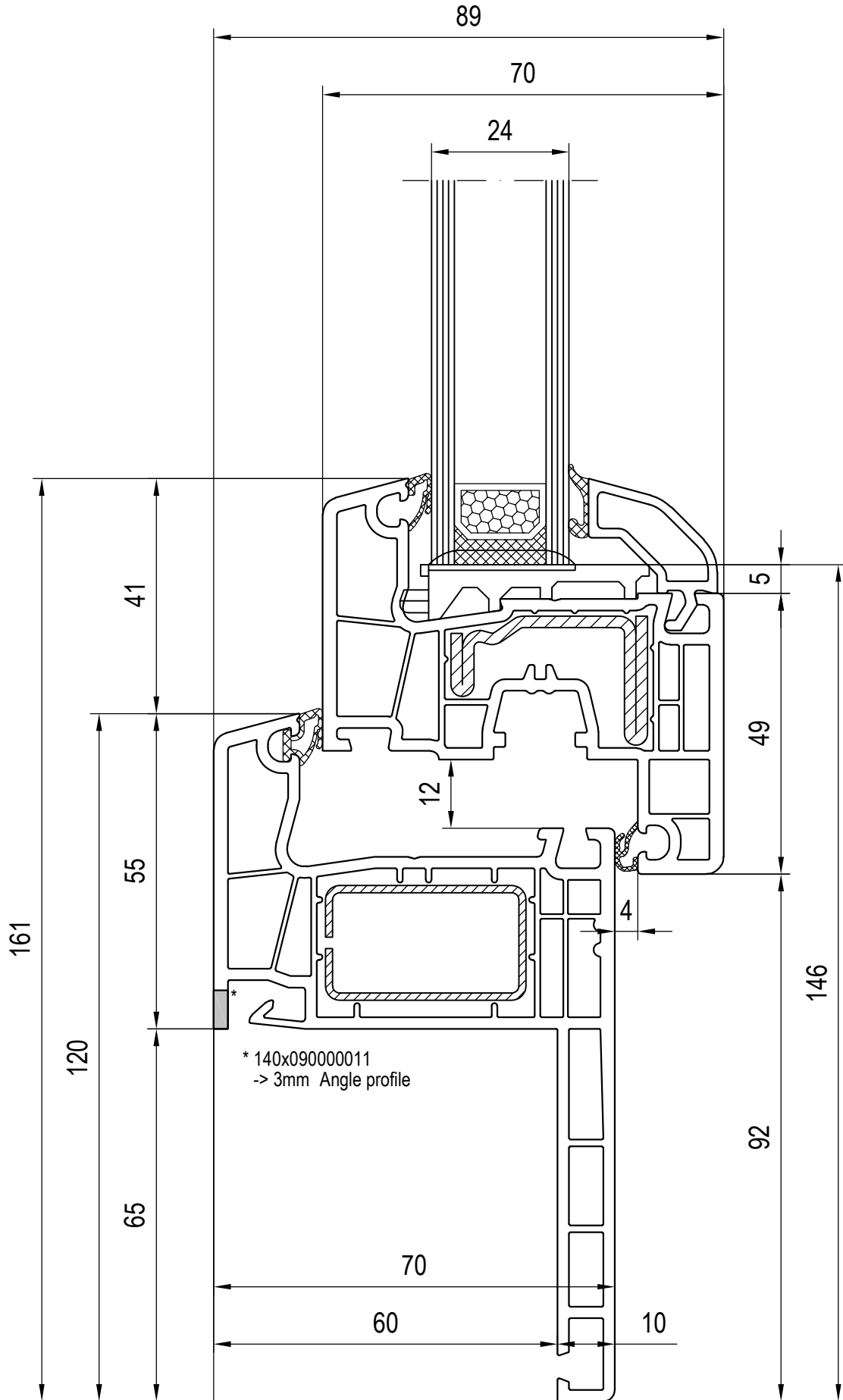
Combinations: frame - sash  
**120850/120880 Glazing bead**

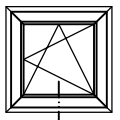
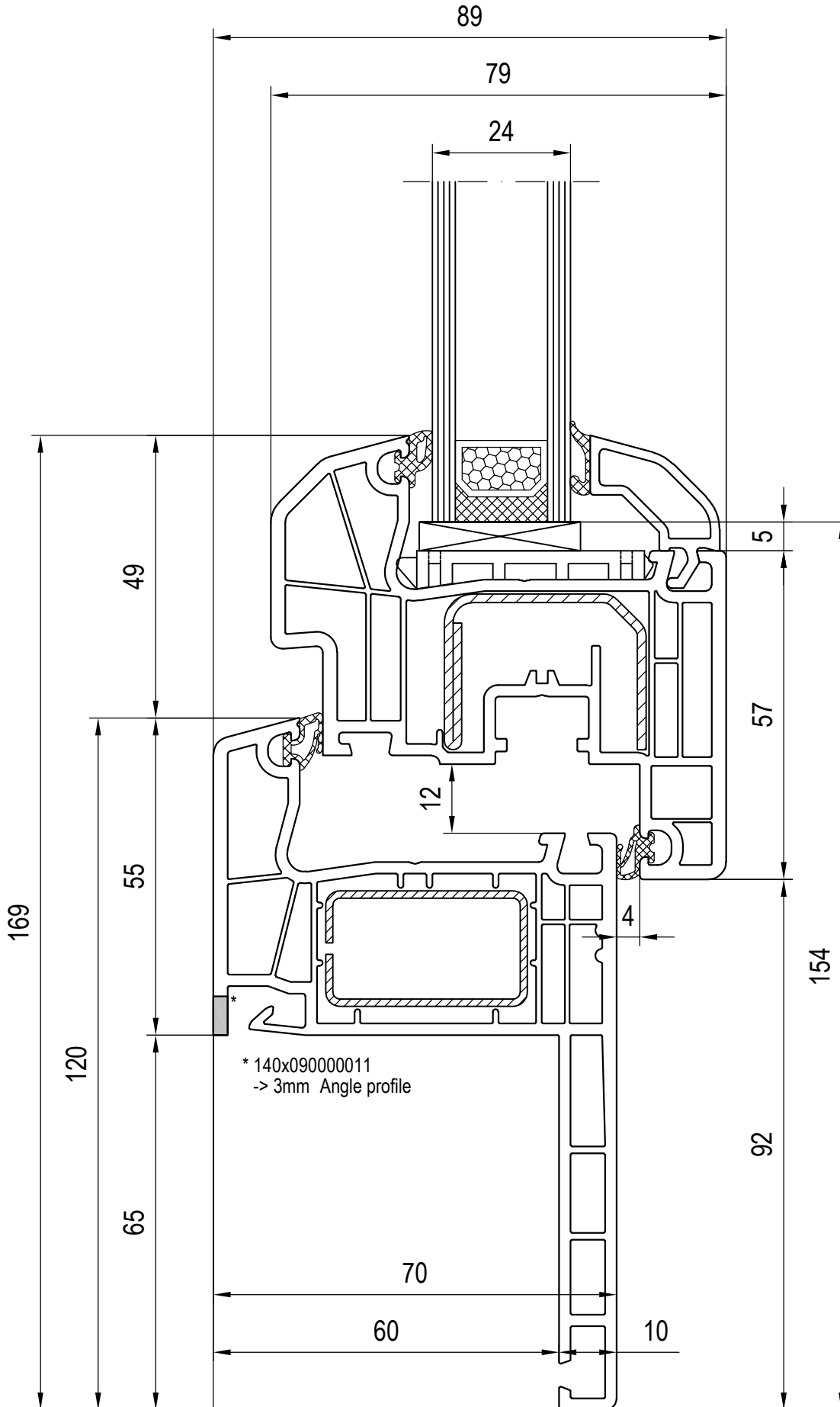
**Frame 140x08**  
**Sash 140x38**

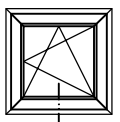
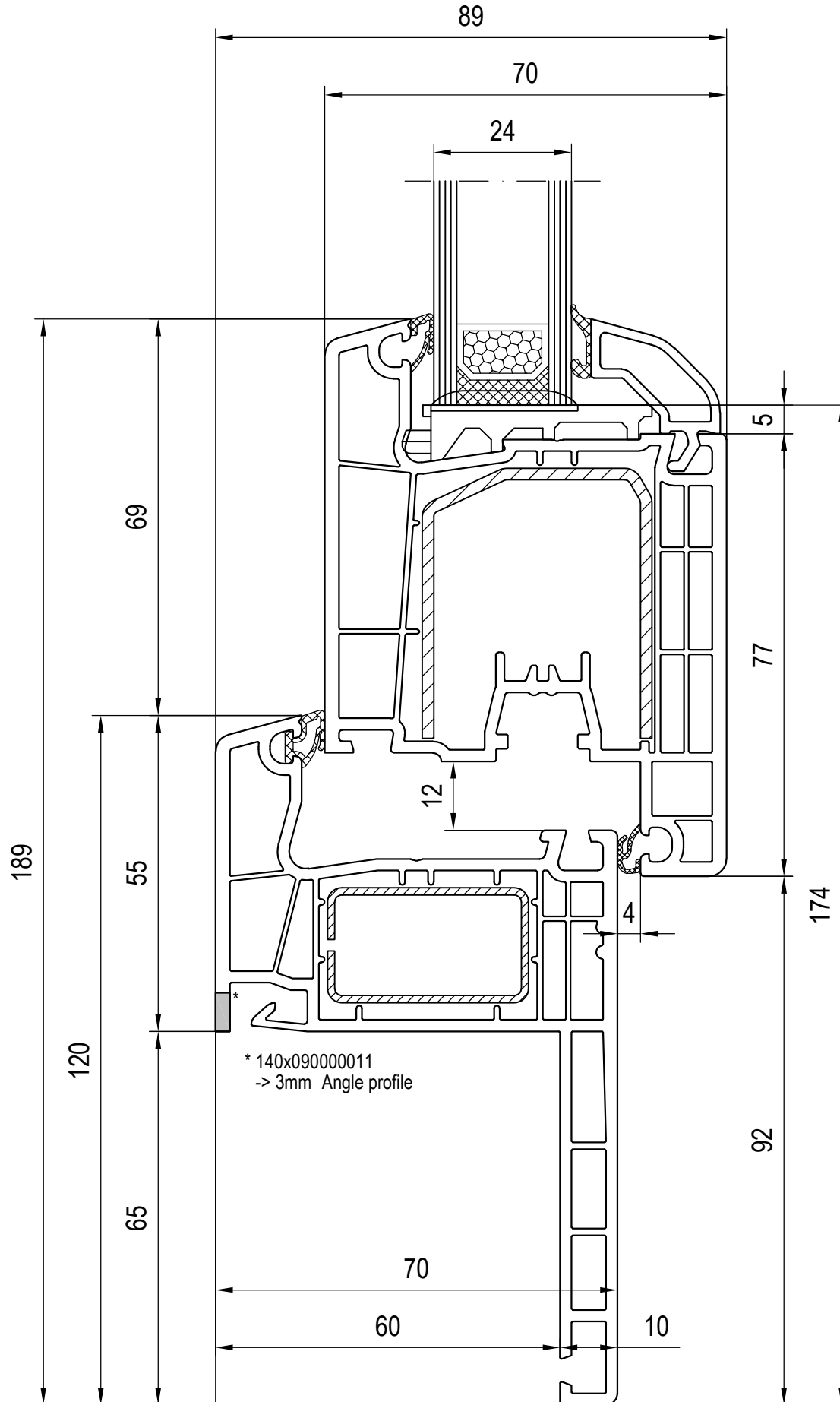




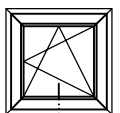
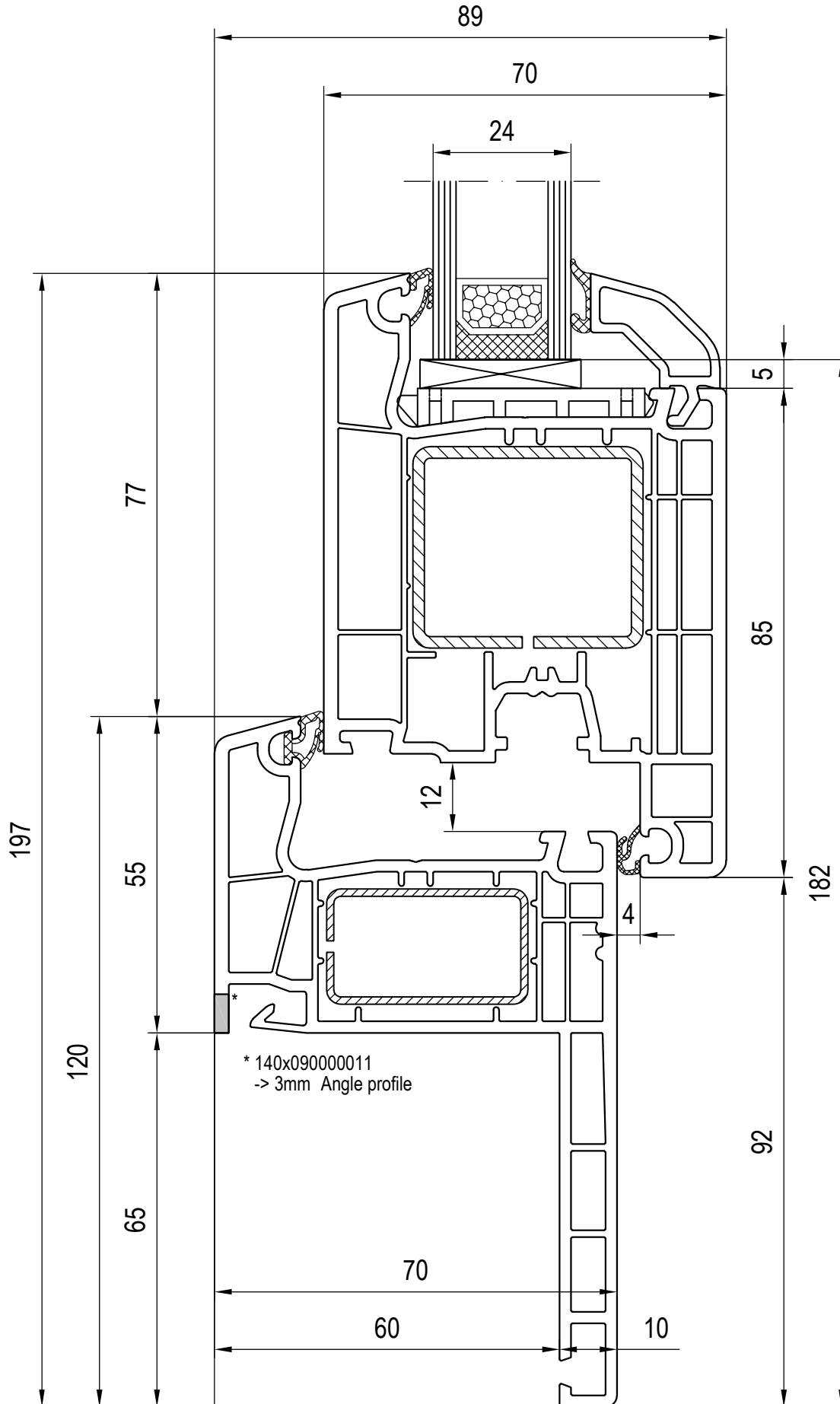


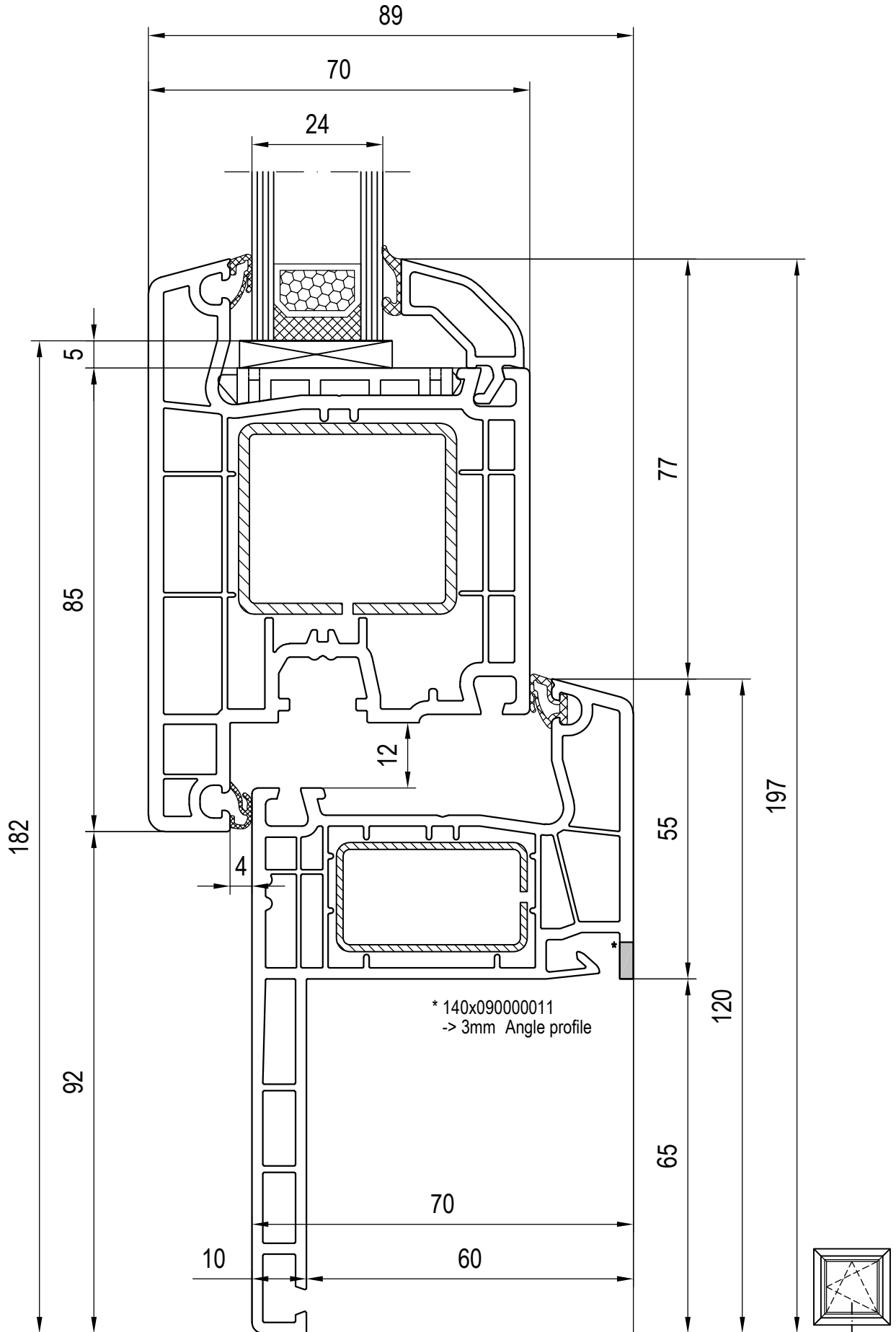




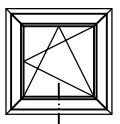
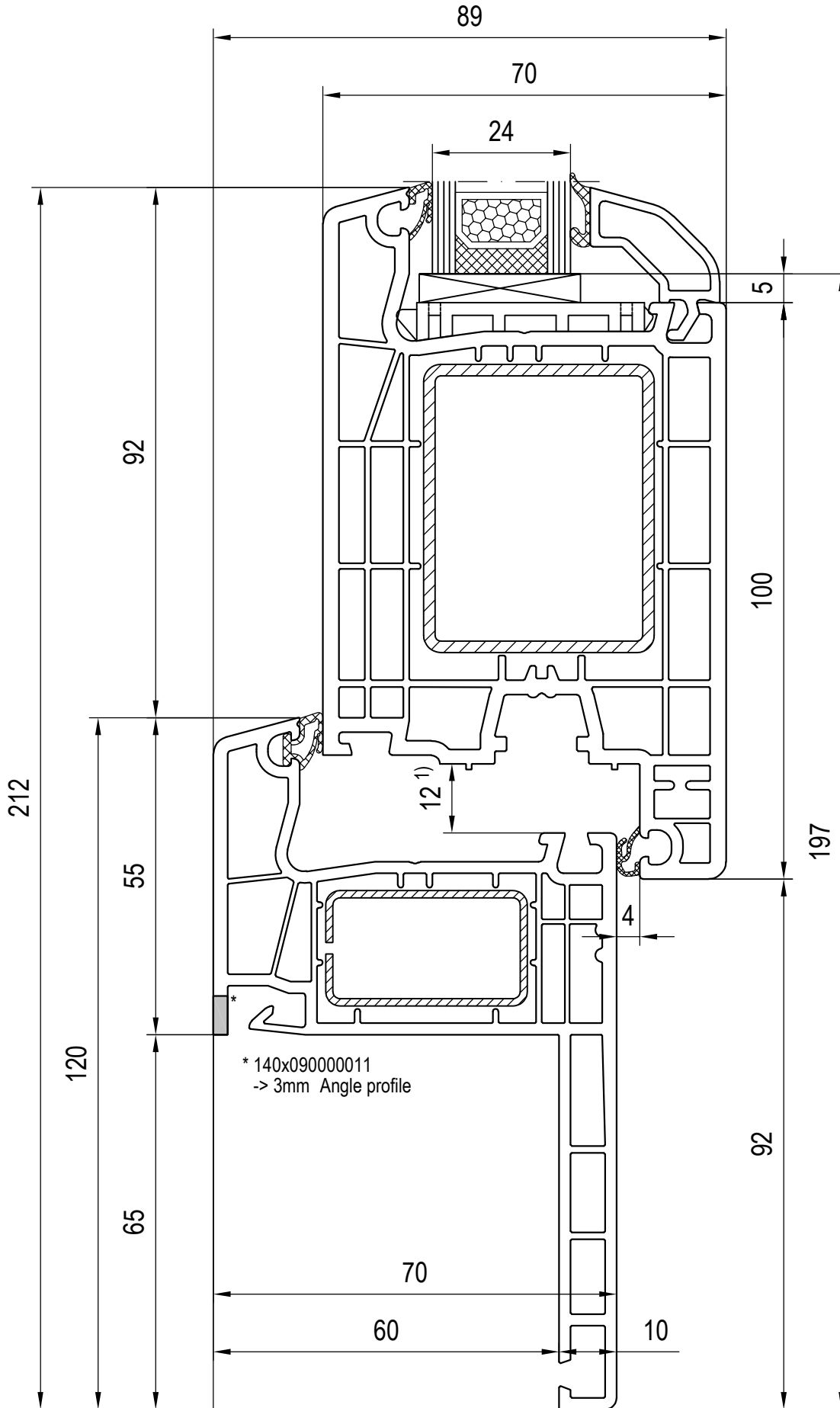


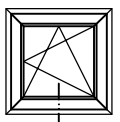
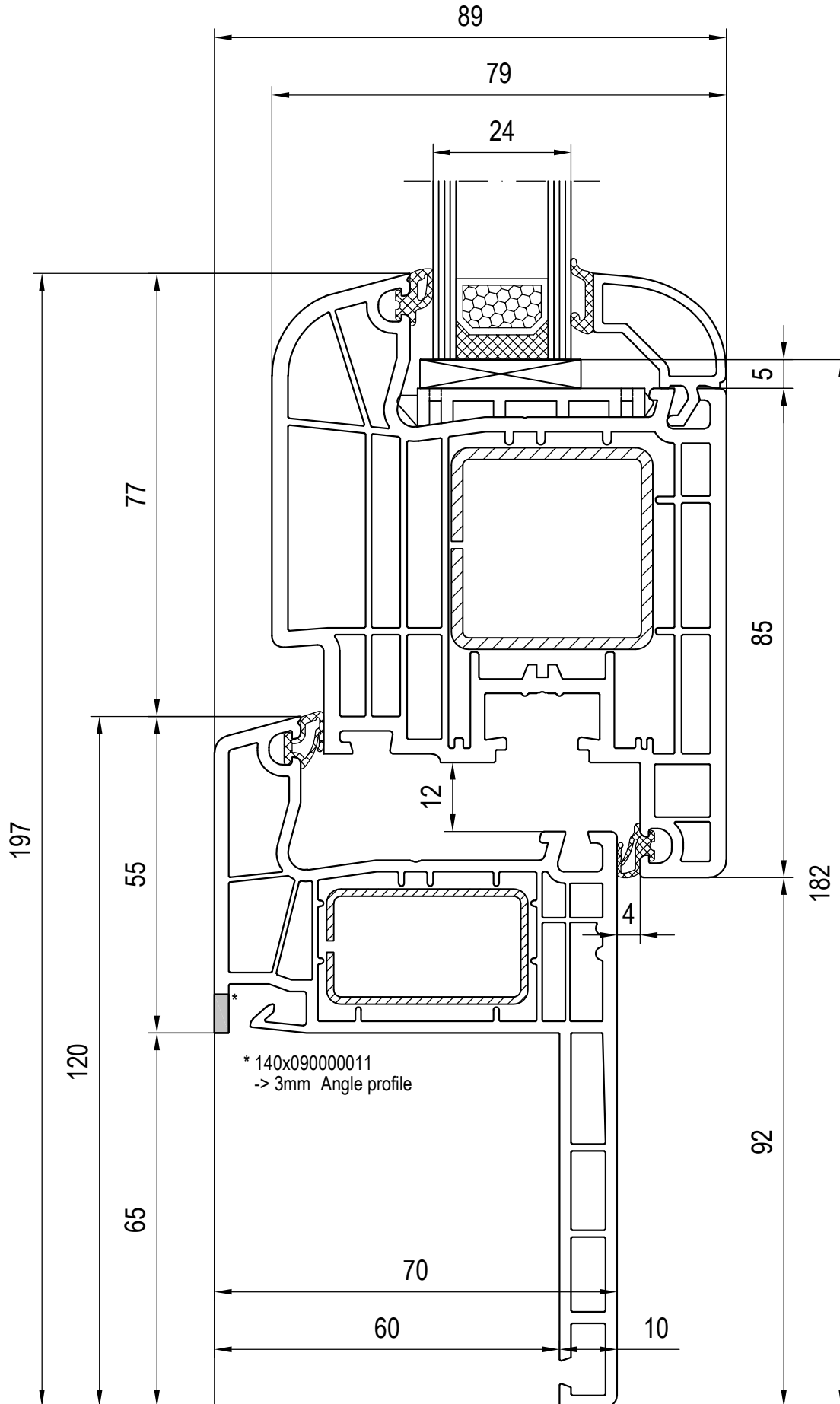


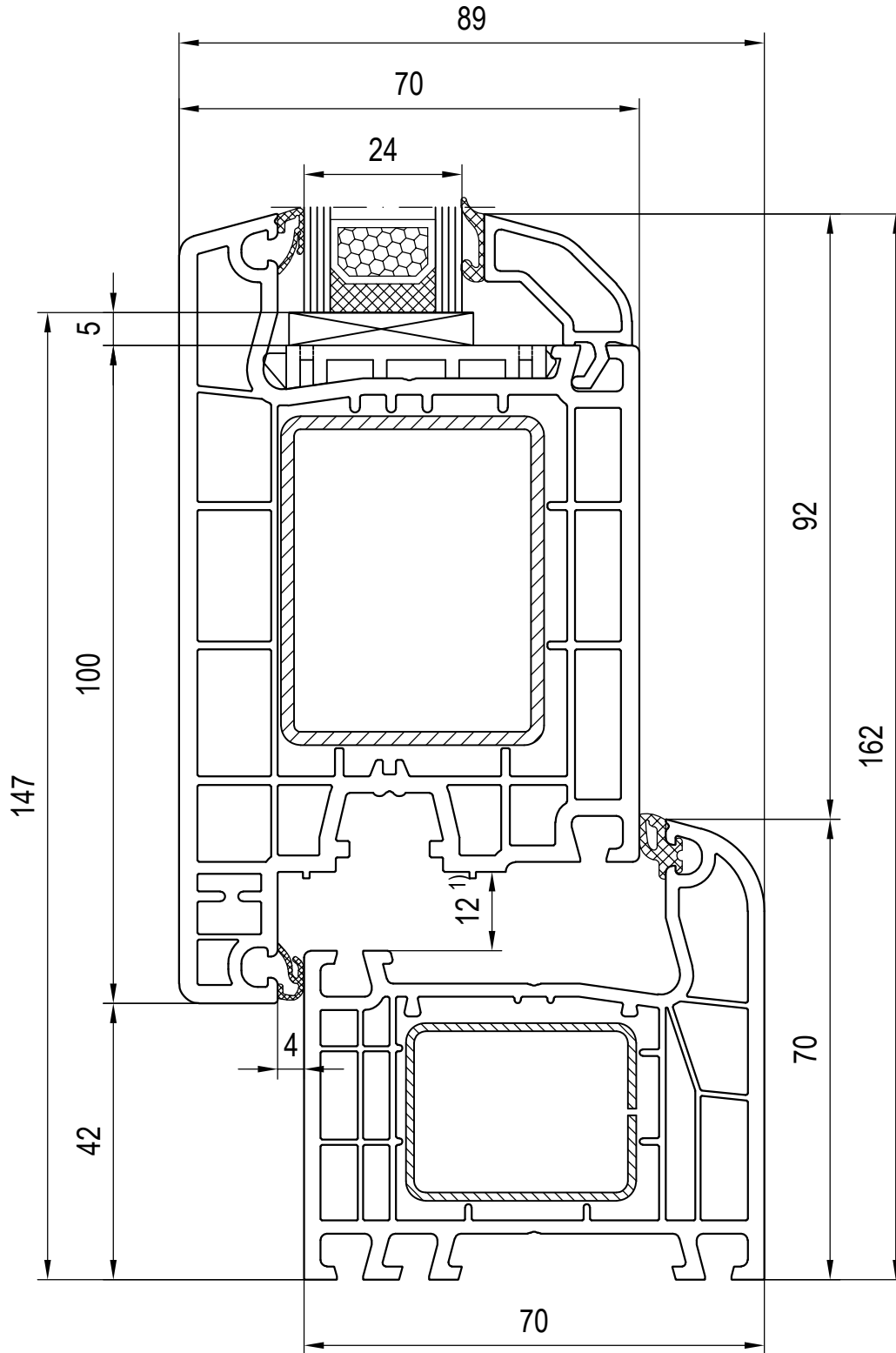




1) Rebate clearance of main entrance door on left and right side = 13 mm







1) Rebate clearance of main entrance door on left and right side = 13 mm

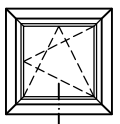
Scale 1:1

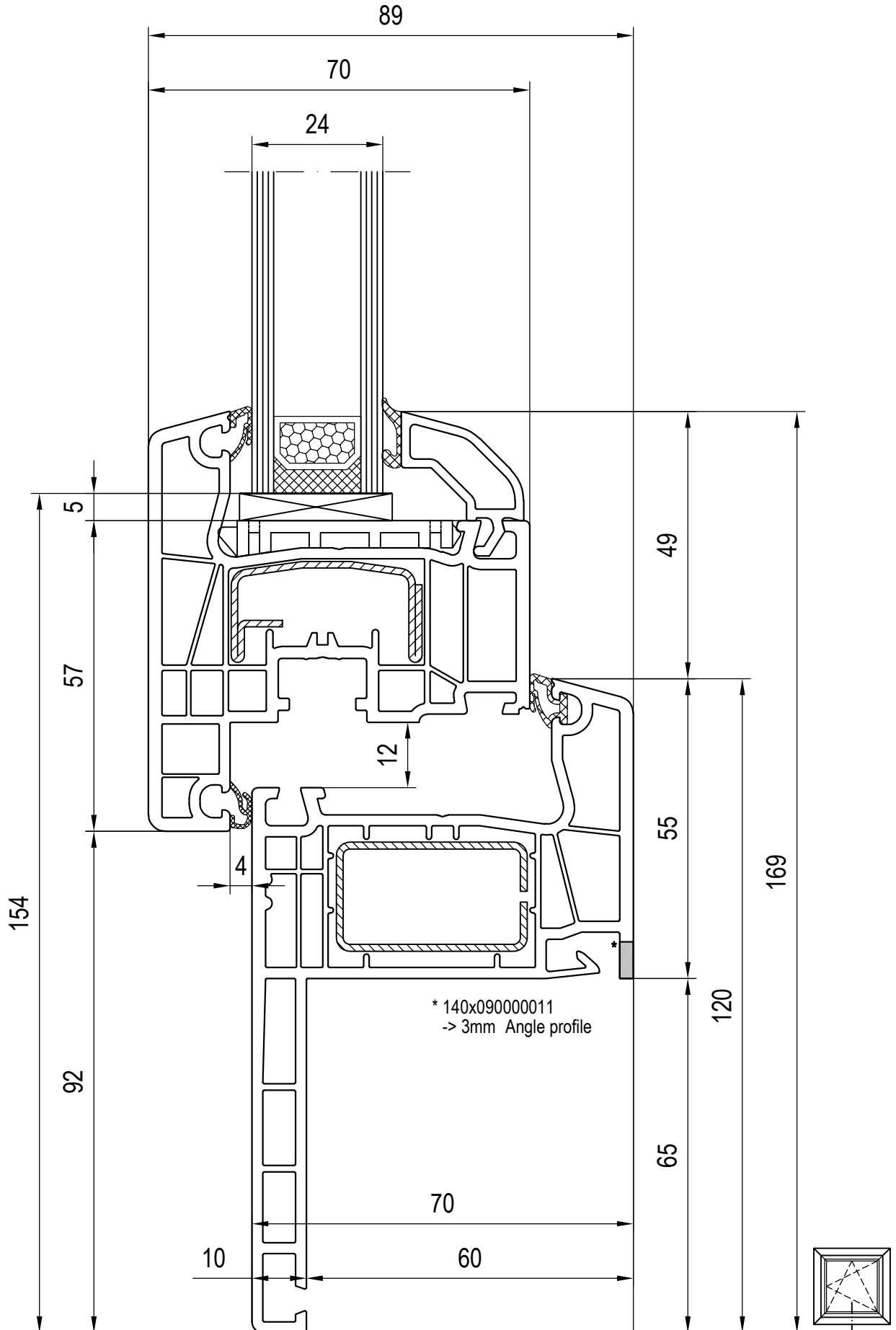
03\_D\_01\_4\*

en May be subject to change and errors excepted!

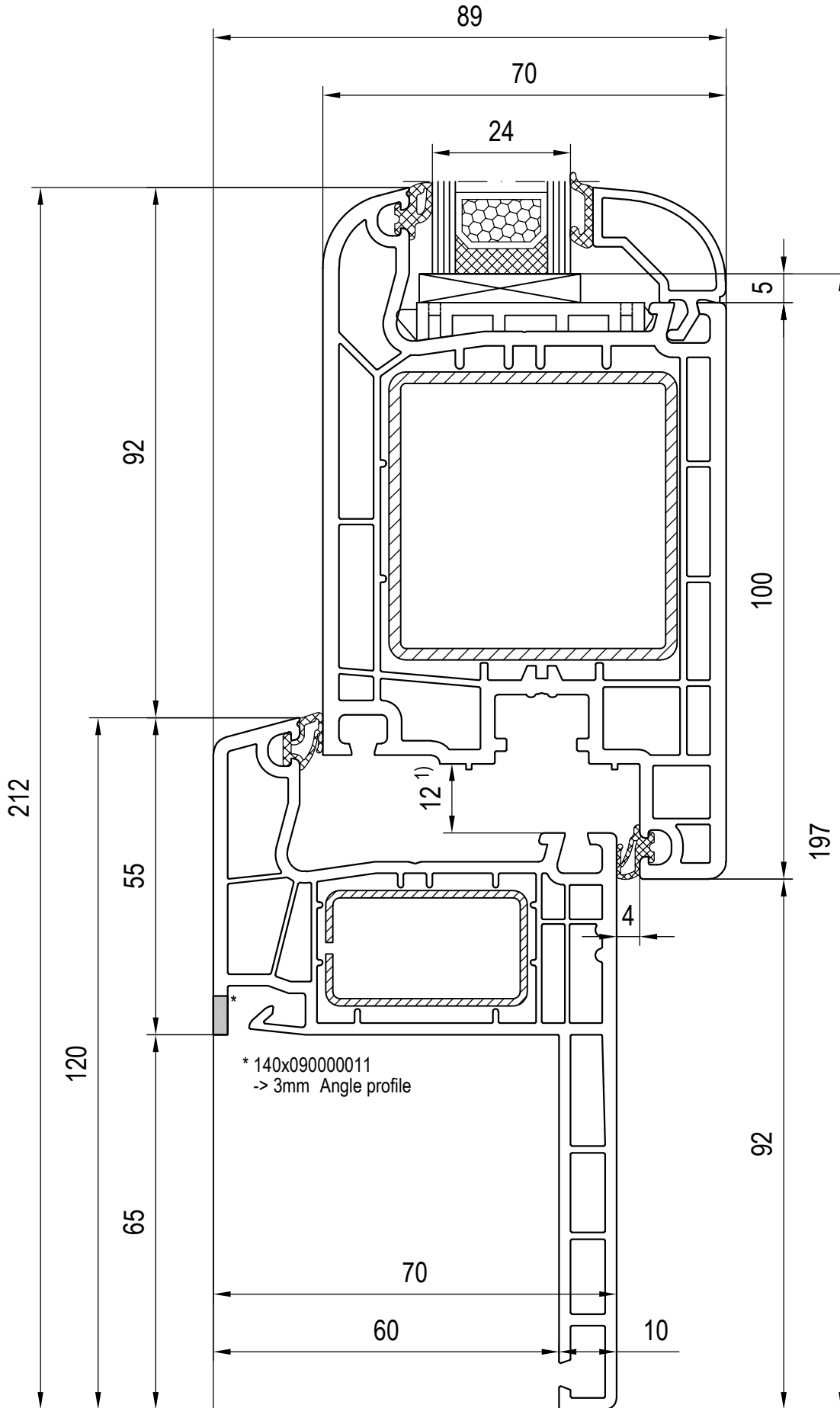
Combinations: frame - sash  
120846/120876 Glazing bead

Frame 140x08  
Sash 140x35

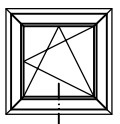
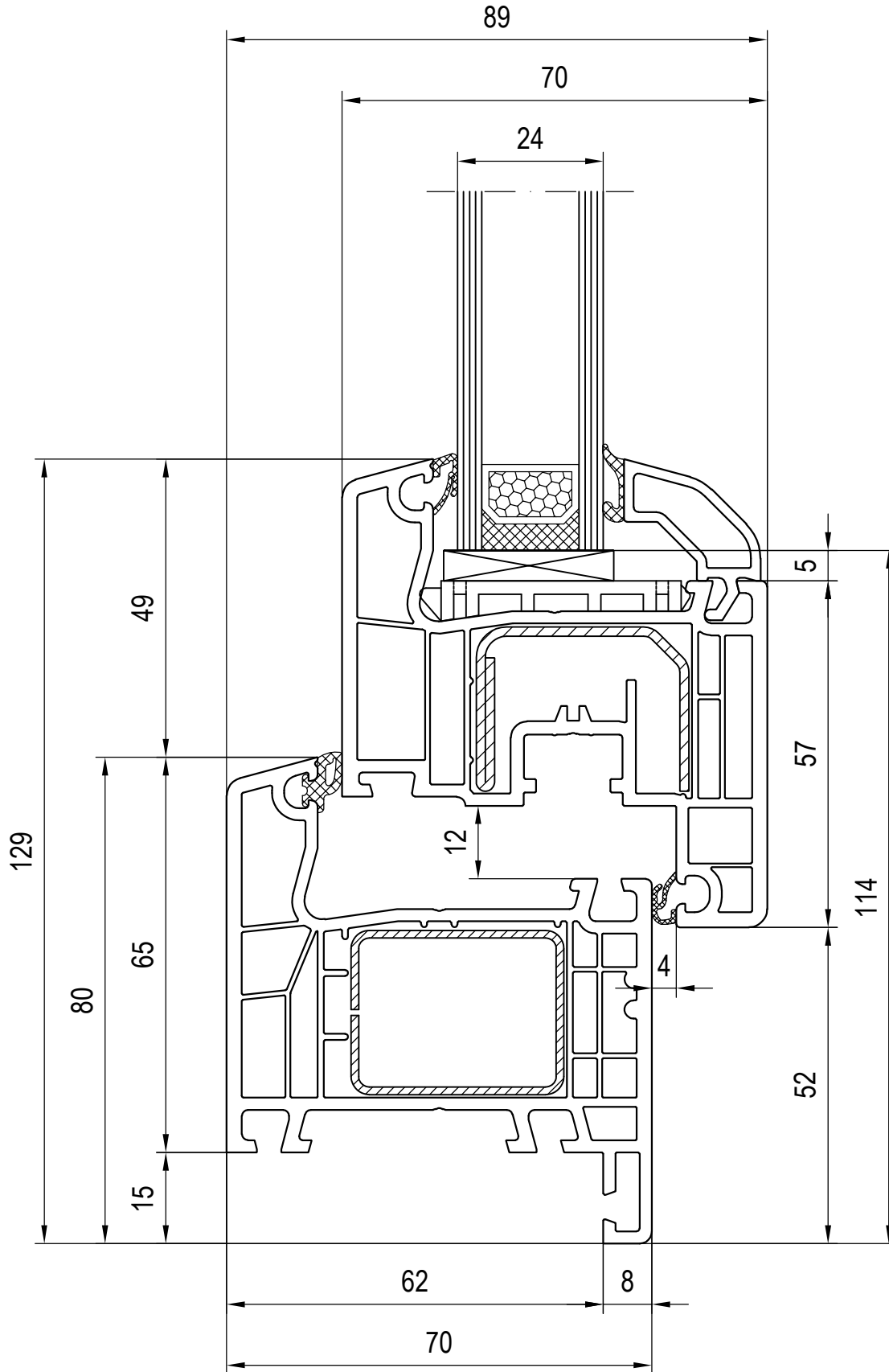


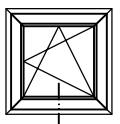
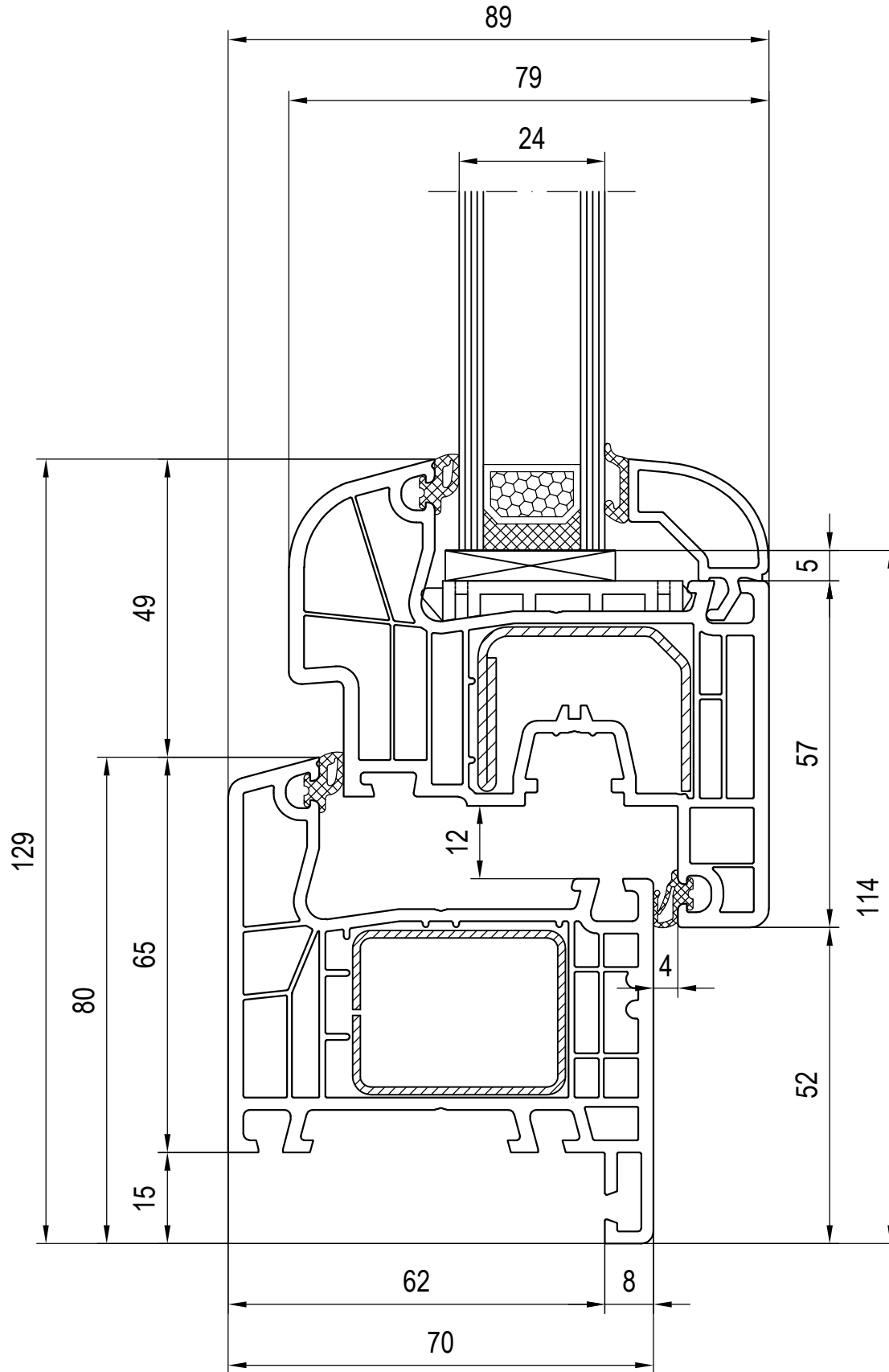


1) Rebate clearance of main entrance door on left and right side = 13 mm









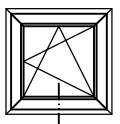
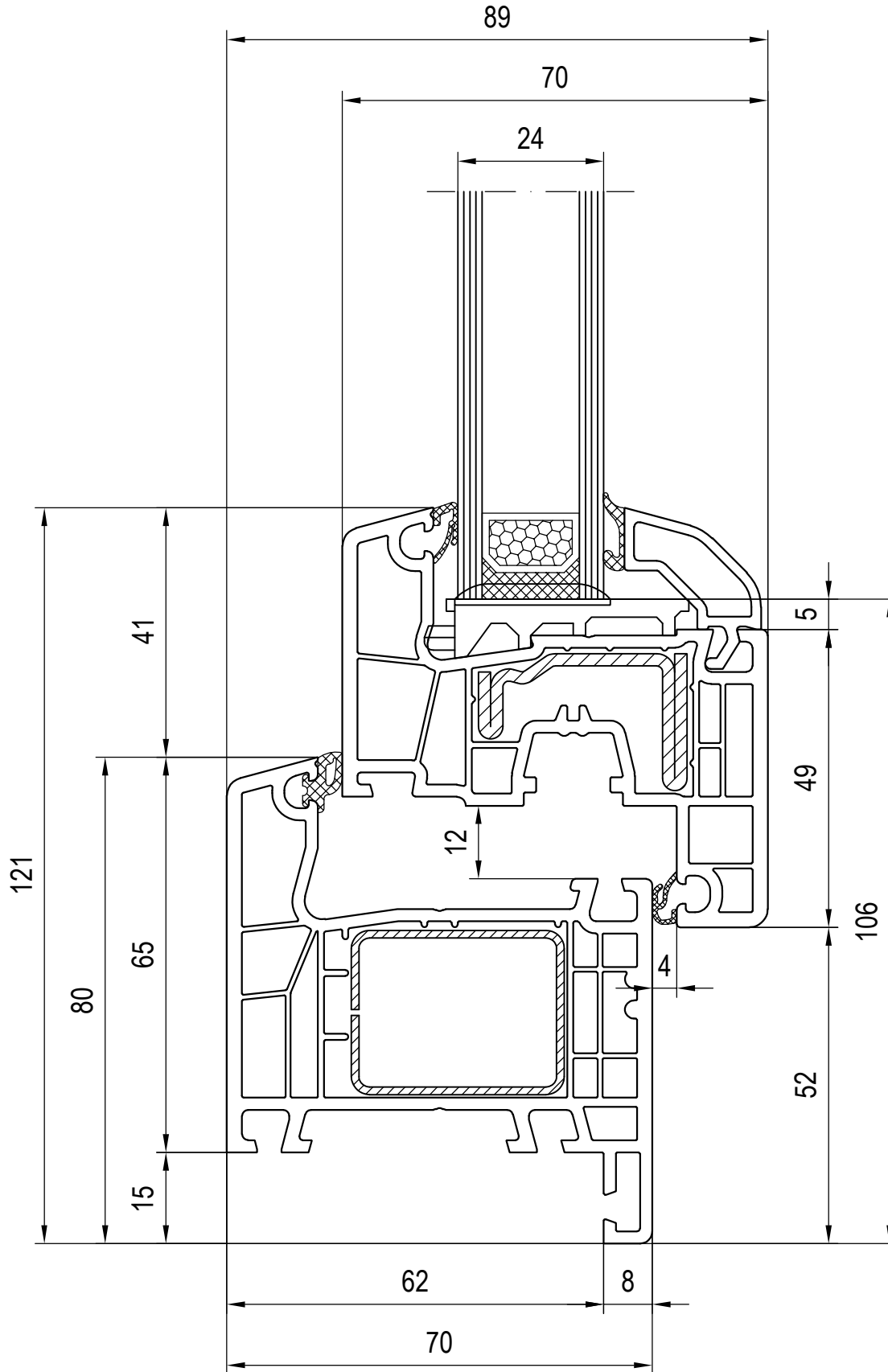
Scale 1:1

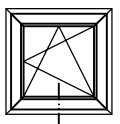
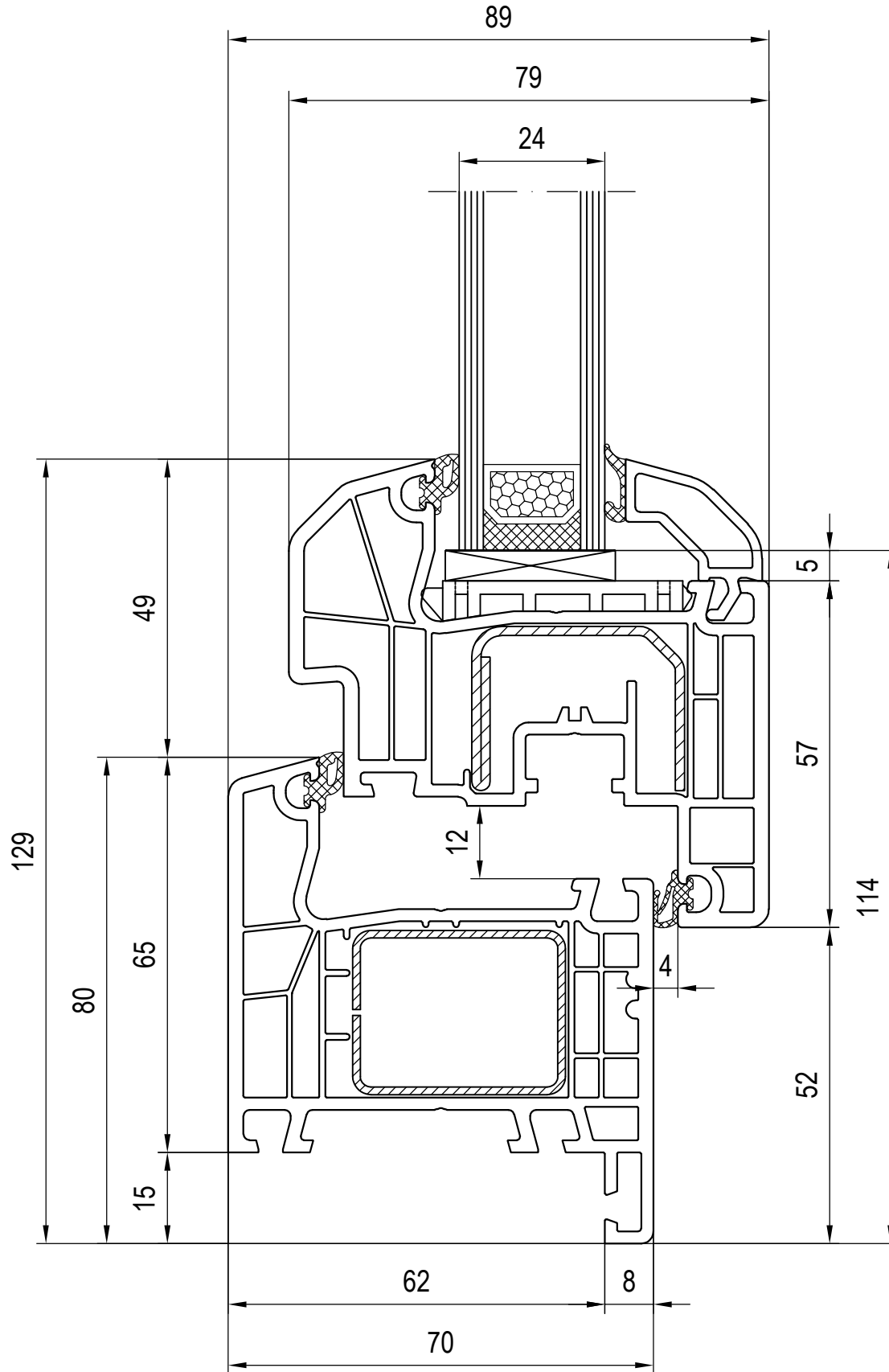
03\_D\_01\_4\*

en May be subject to change and errors excepted!

Combinations: frame - sash  
120850/120880 Glazing bead

Frame 140x12  
Sash 140x22





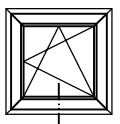
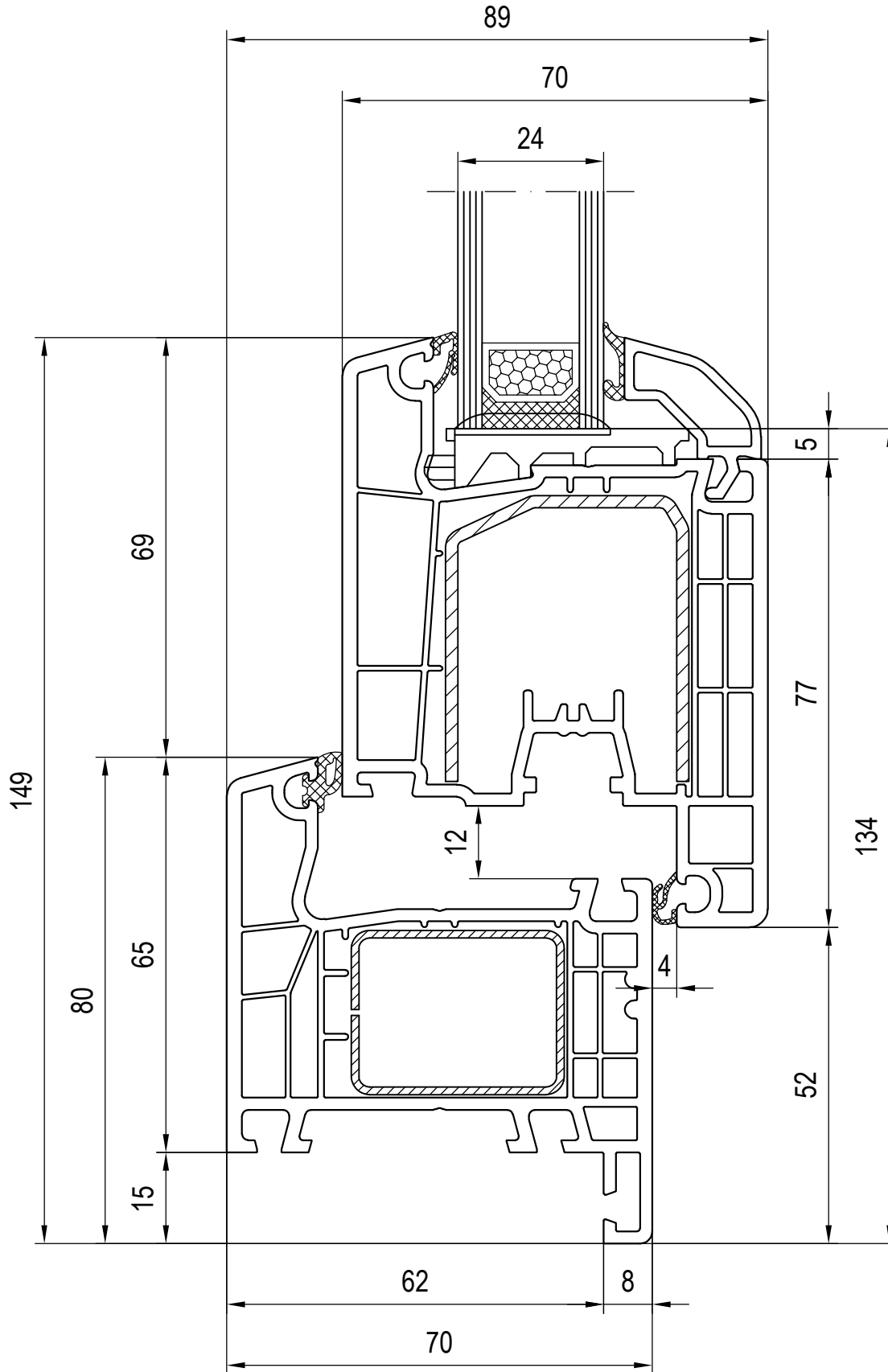
Scale 1:1

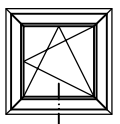
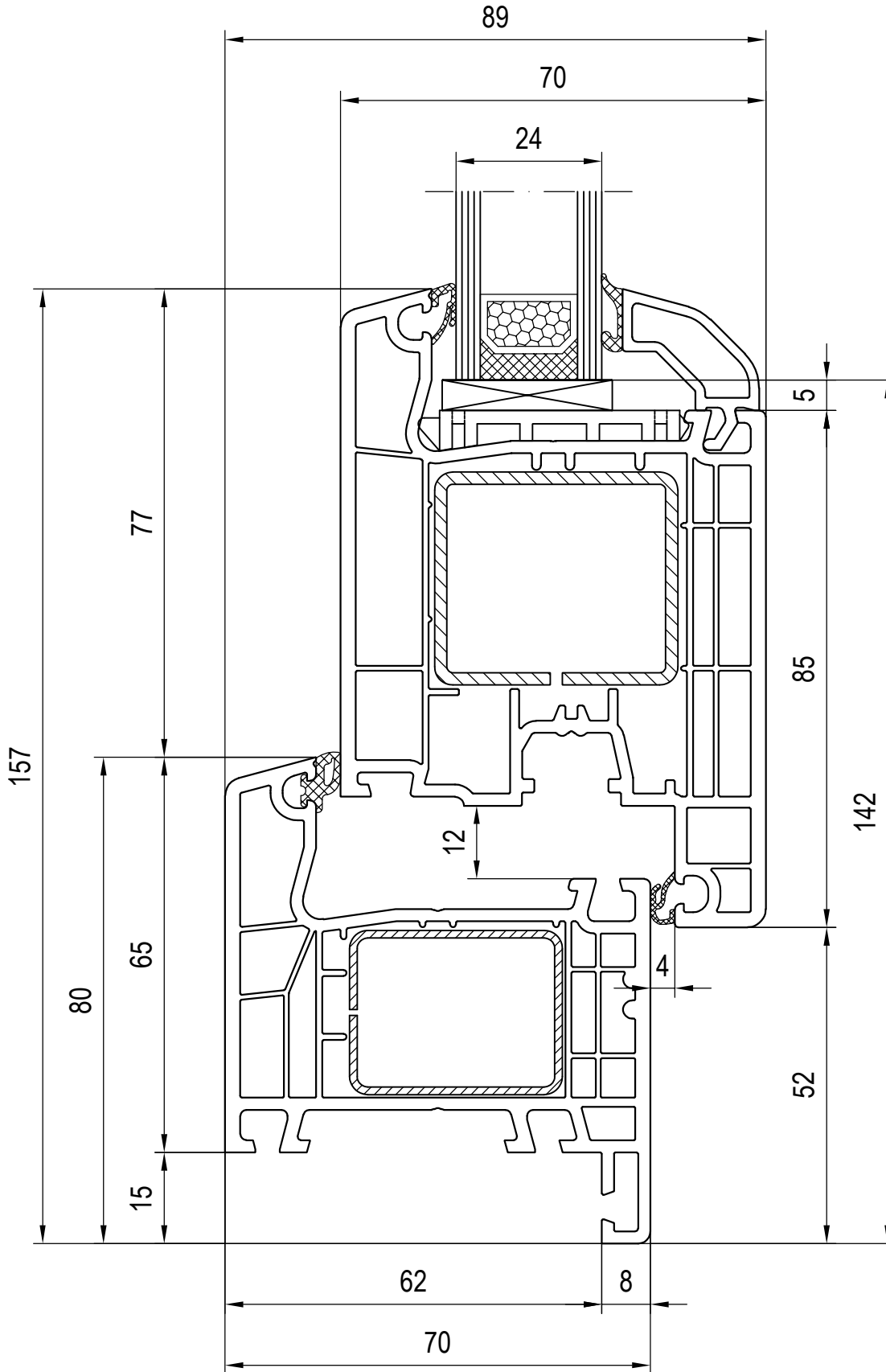
03\_D\_01\_4\*

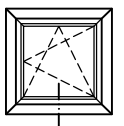
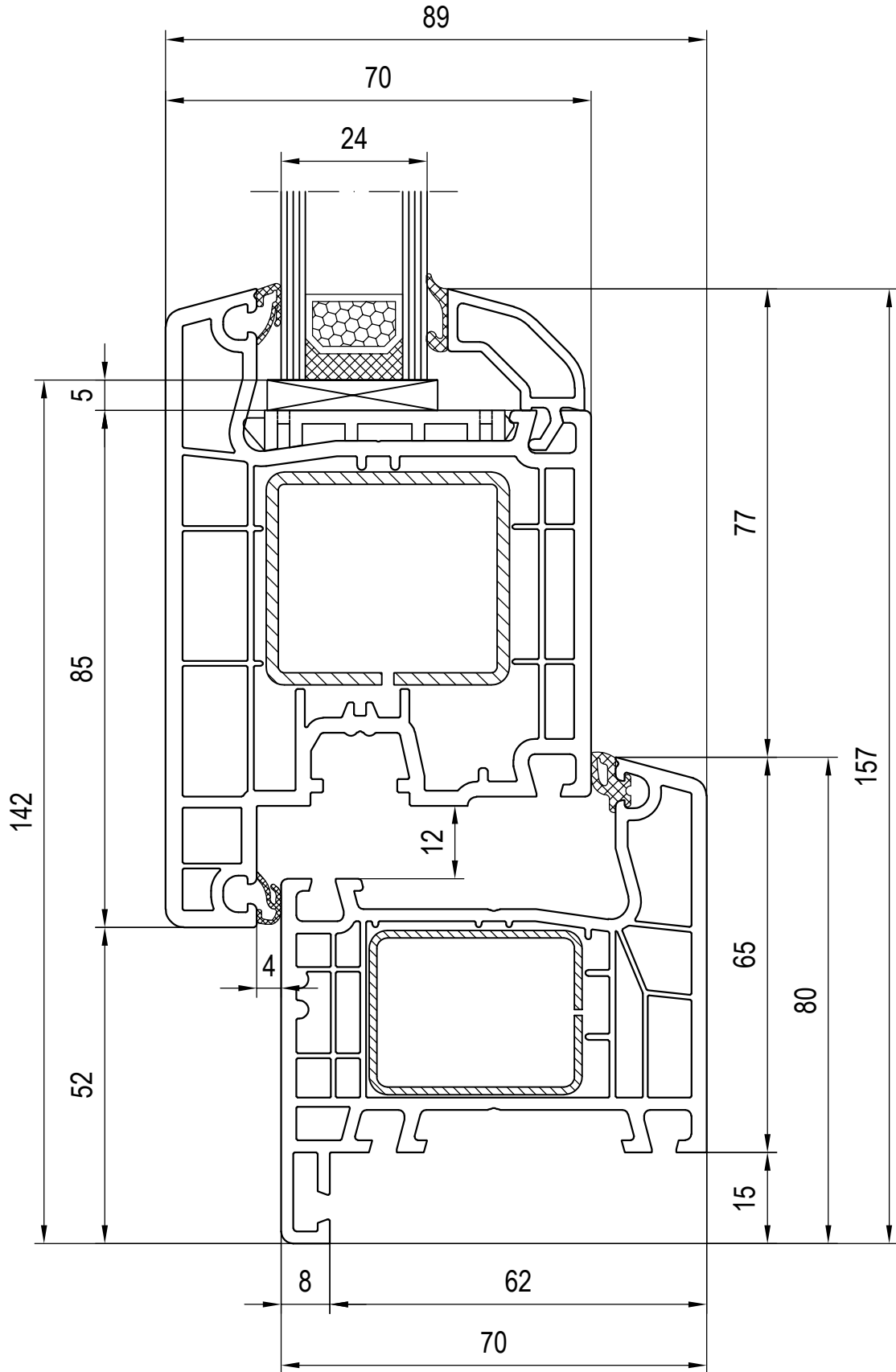
en May be subject to change and errors excepted!

Combinations: frame - sash  
120846/120876 Glazing bead

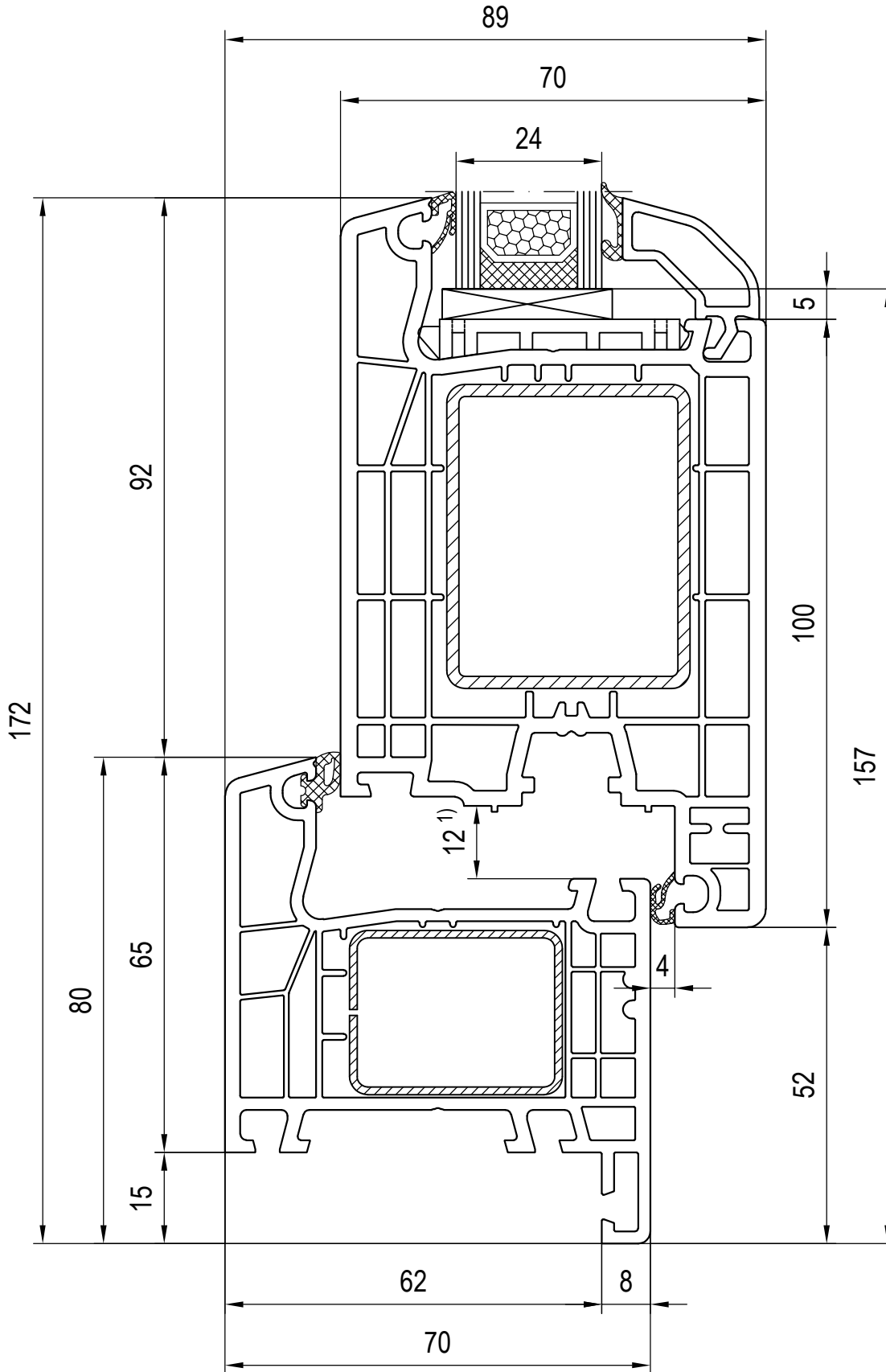
Frame 140x12  
Sash 140x26











1) Rebate clearance of main entrance door on left and right side = 13 mm

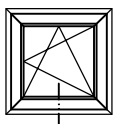
Scale 1:1

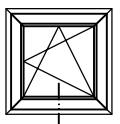
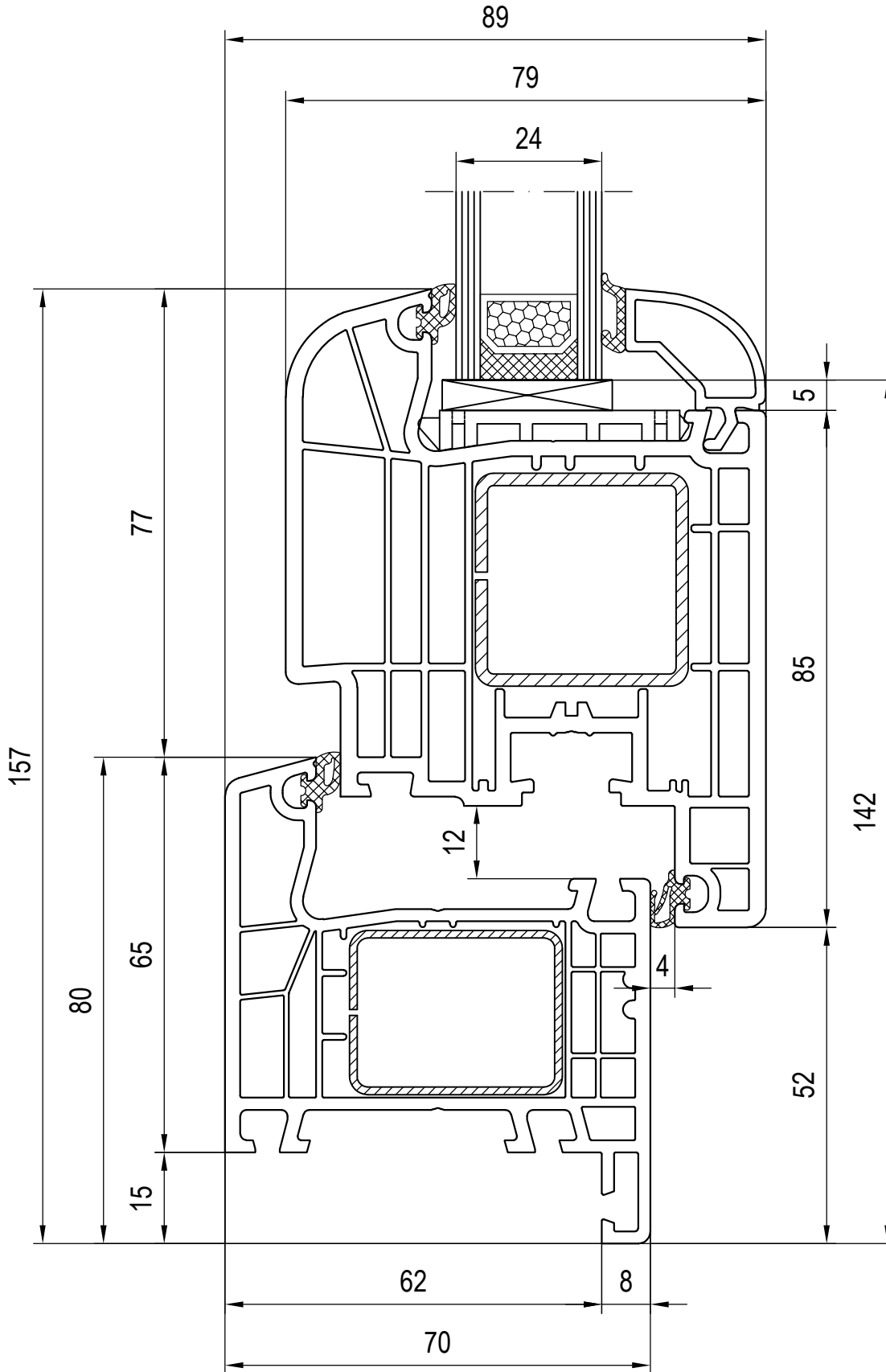
03\_D\_01\_4\*

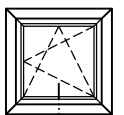
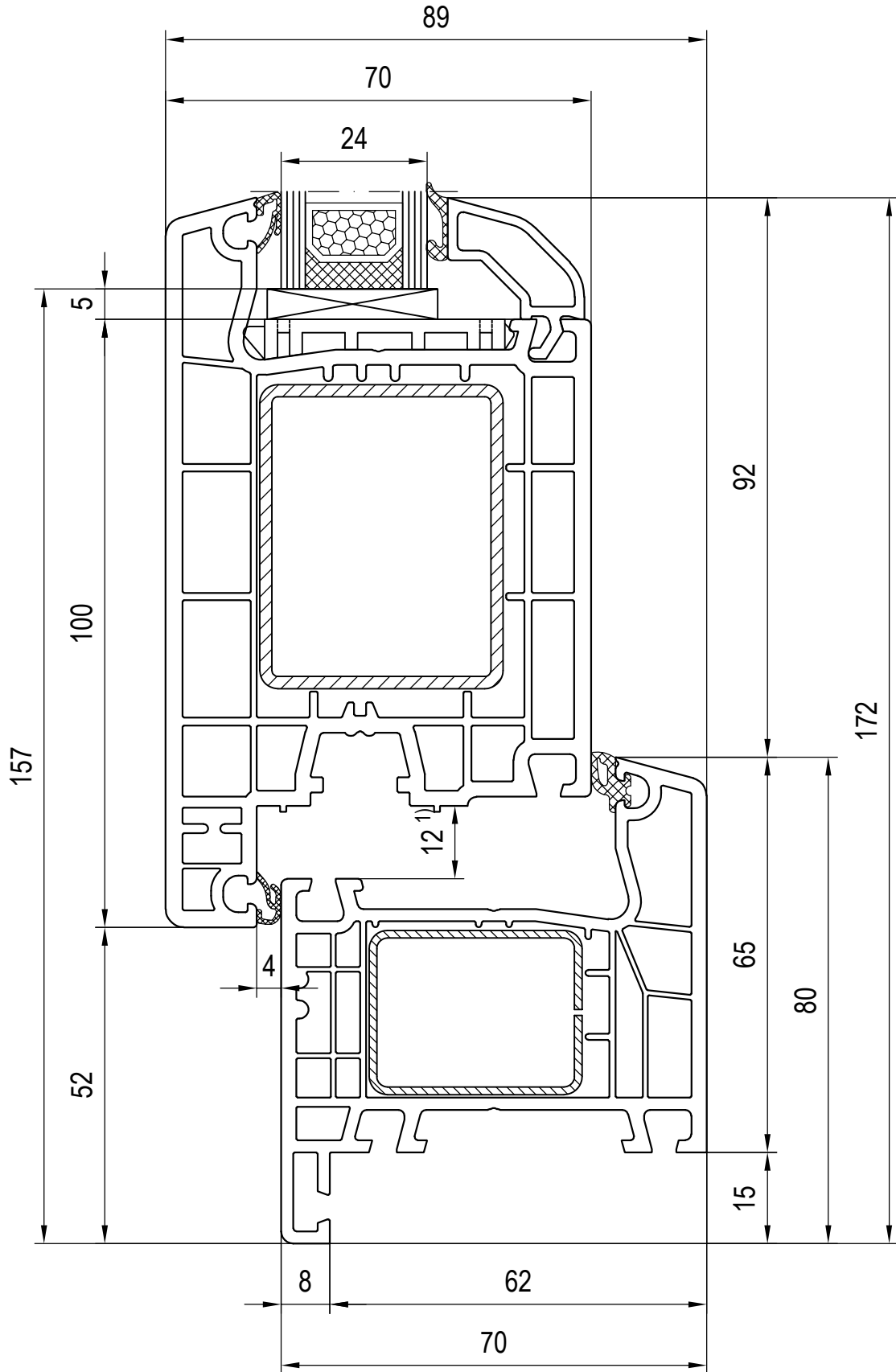
en May be subject to change and errors excepted!

Combinations: frame - sash  
**120846/120876 Glazing bead**

**Frame 140x12**  
**Sash 140x33**







1) Rebate clearance of main entrance door on left and right side = 13 mm

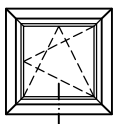
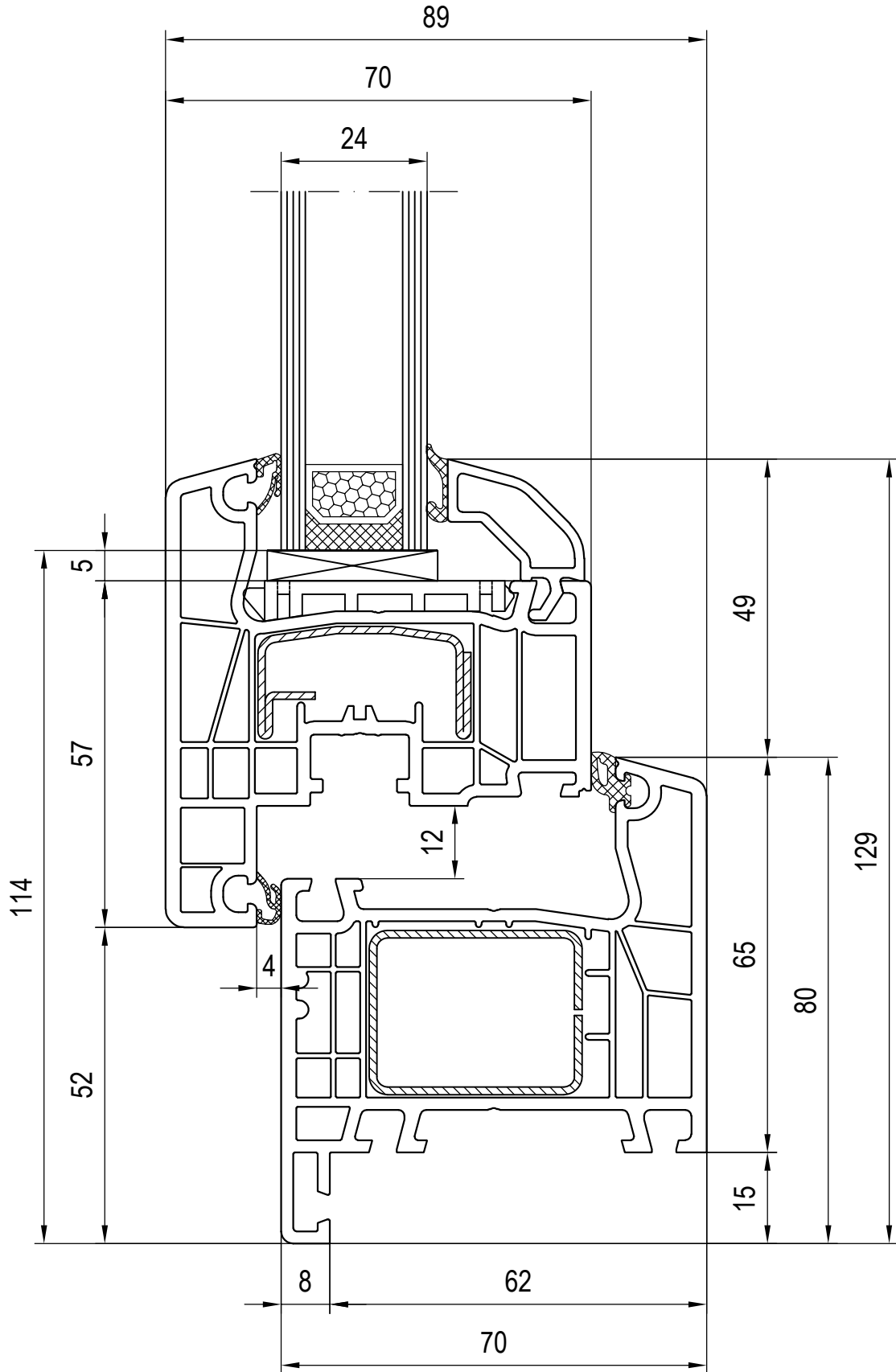
Scale 1:1

03\_D\_01\_4\*

en May be subject to change and errors excepted!

Combinations: frame - sash  
120846/120876 Glazing bead

Frame 140x12  
Sash 140x35



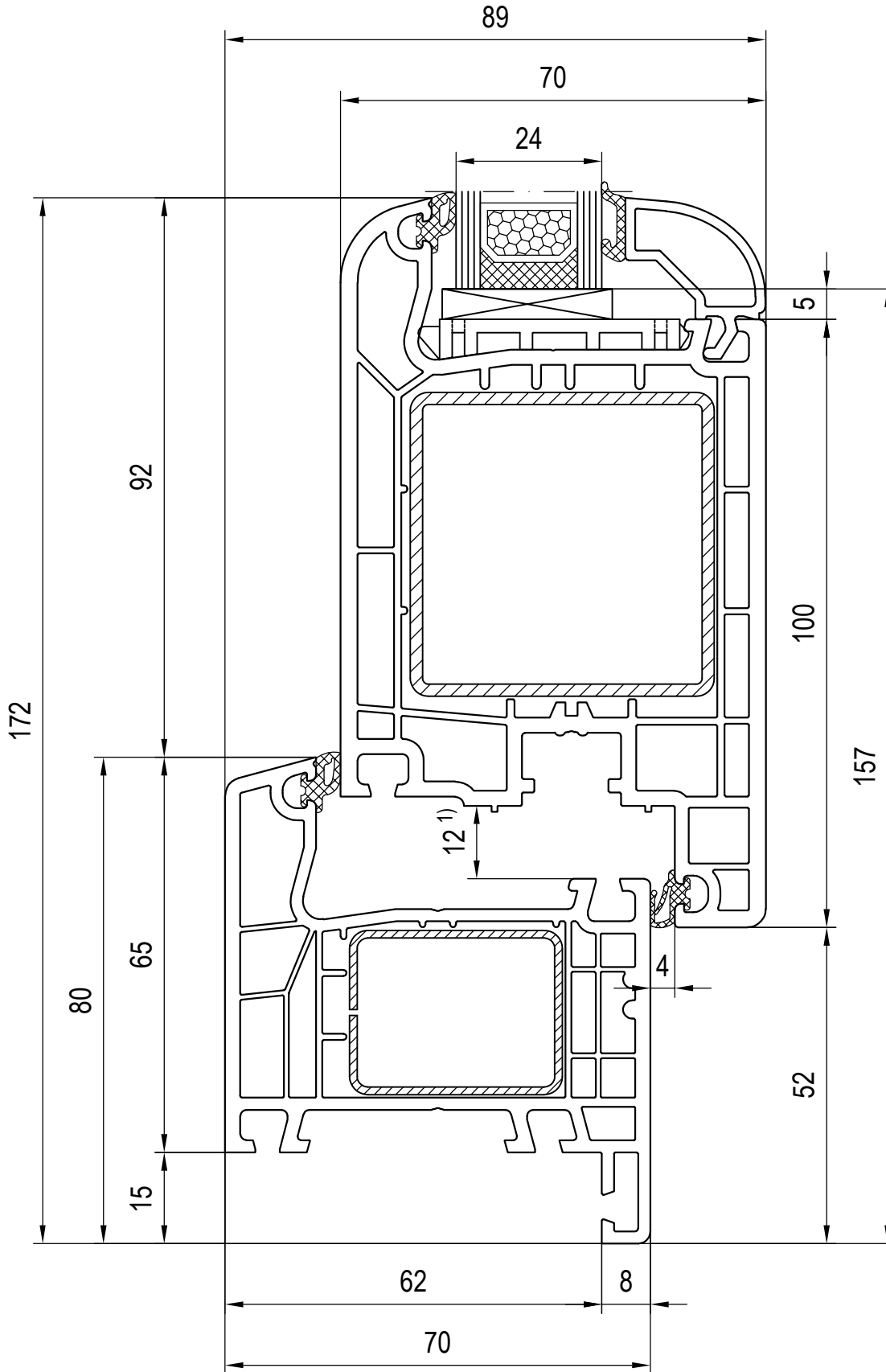
Scale 1:1

03\_D\_01\_4\*

en May be subject to change and errors excepted!

Combinations: frame - sash  
120846/120876 Glazing bead

Frame 140x12  
Sash 140x37



1) Rebate clearance of main entrance door on left and right side = 13 mm

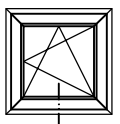
Scale 1:1

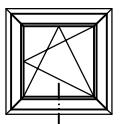
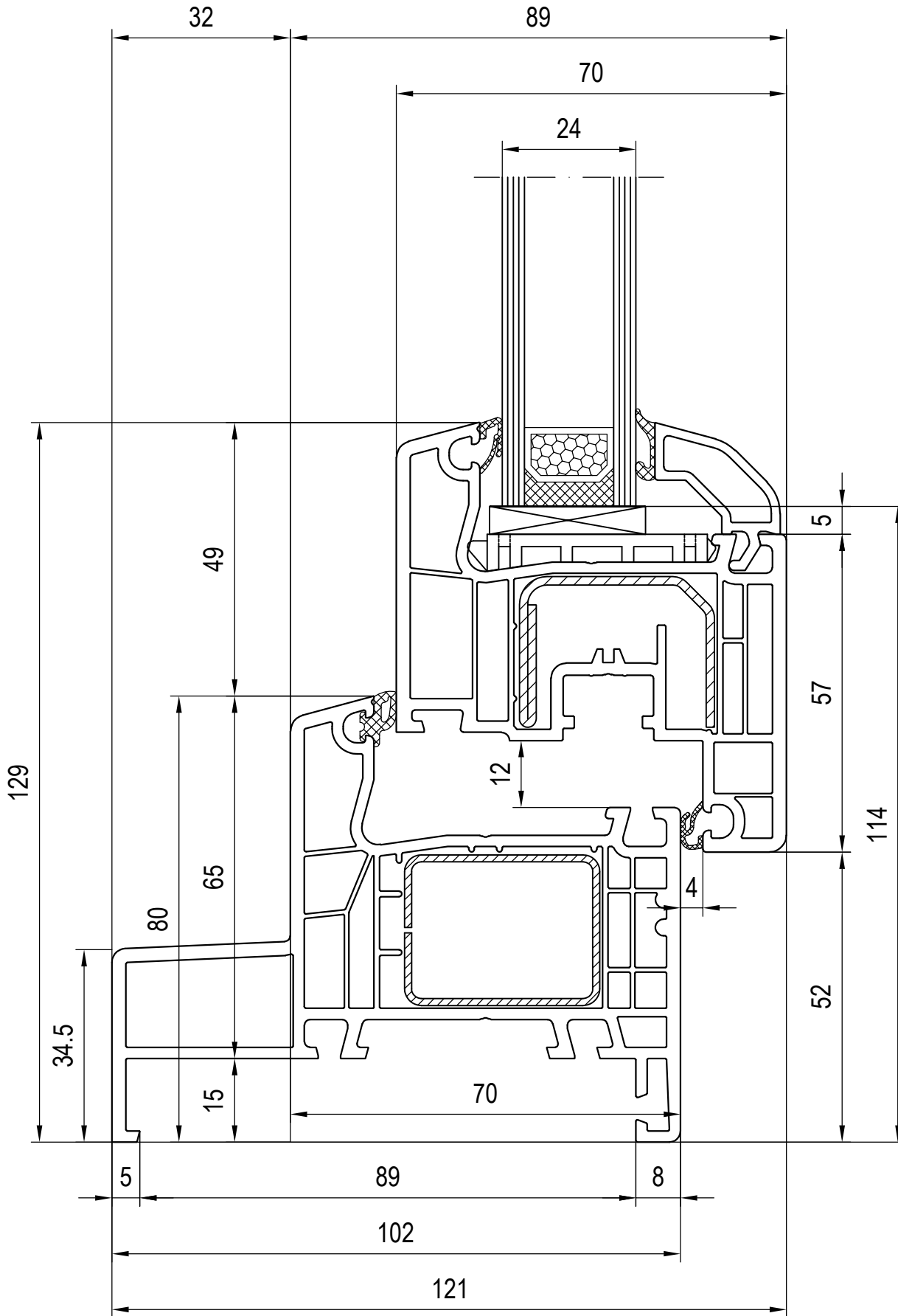
03\_D\_01\_4\*

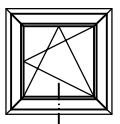
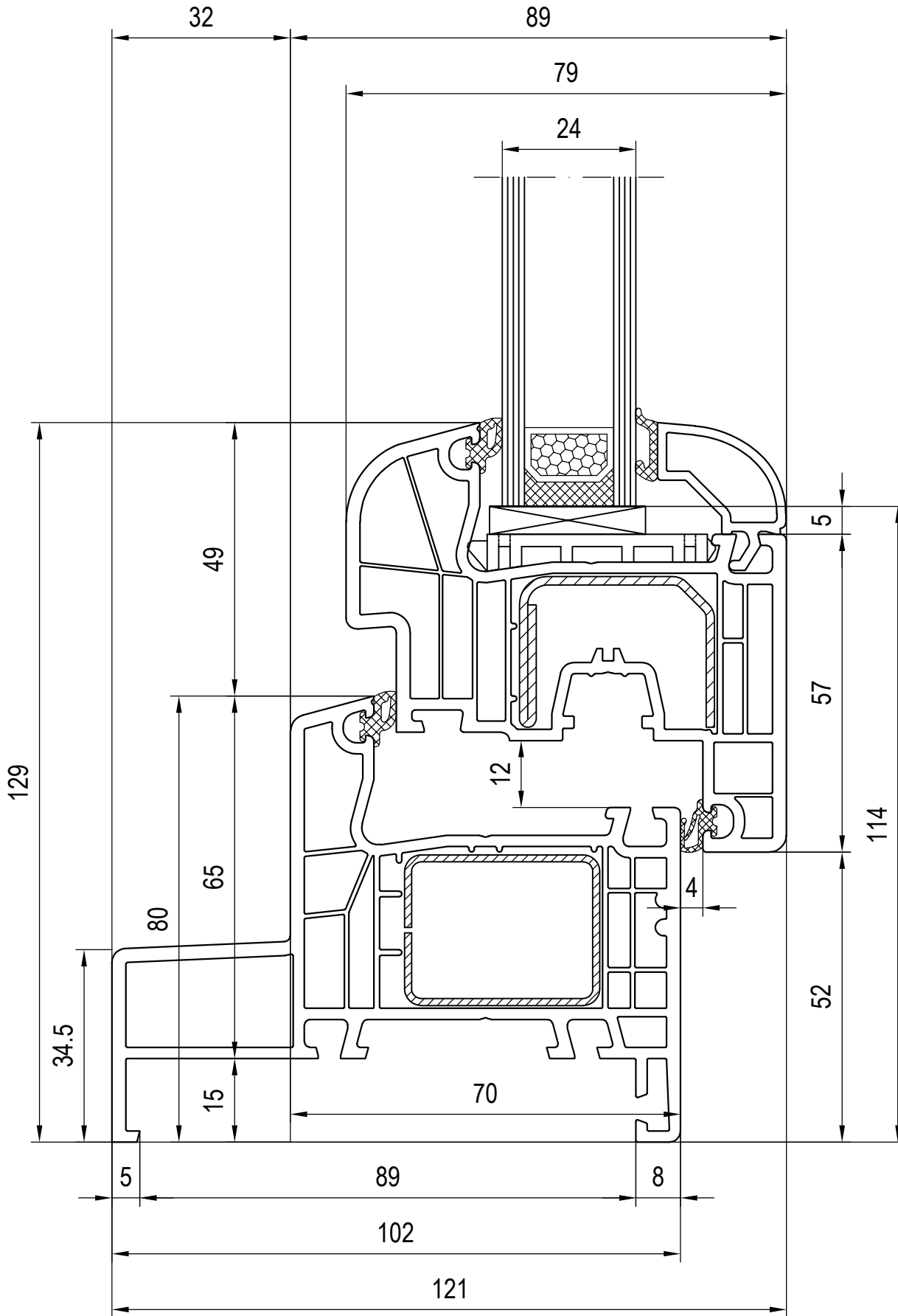
en May be subject to change and errors excepted!

Combinations: frame - sash  
120850/120880 Glazing bead

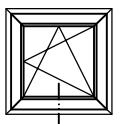
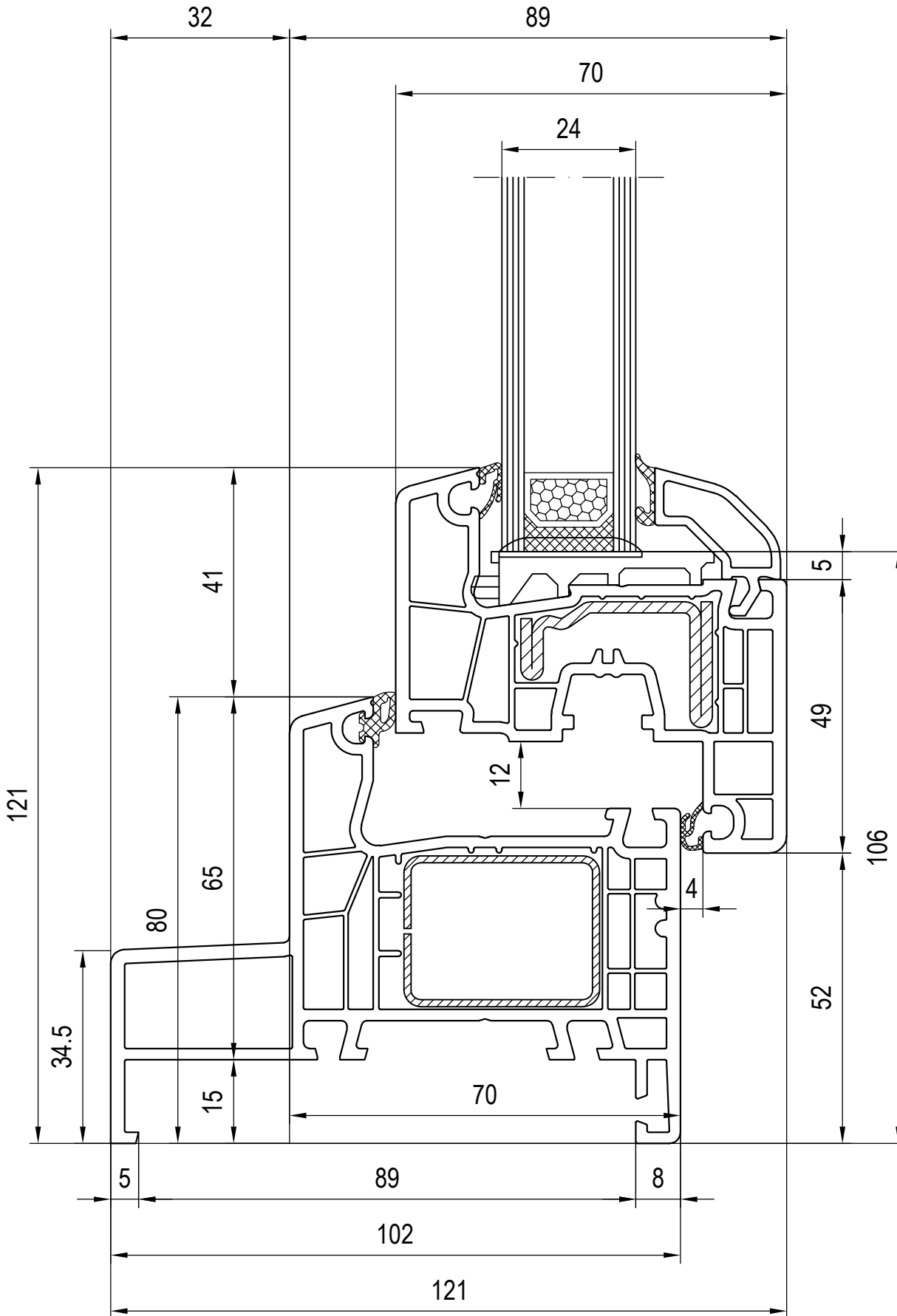
Frame 140x12  
Sash 140x38

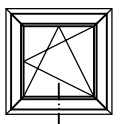
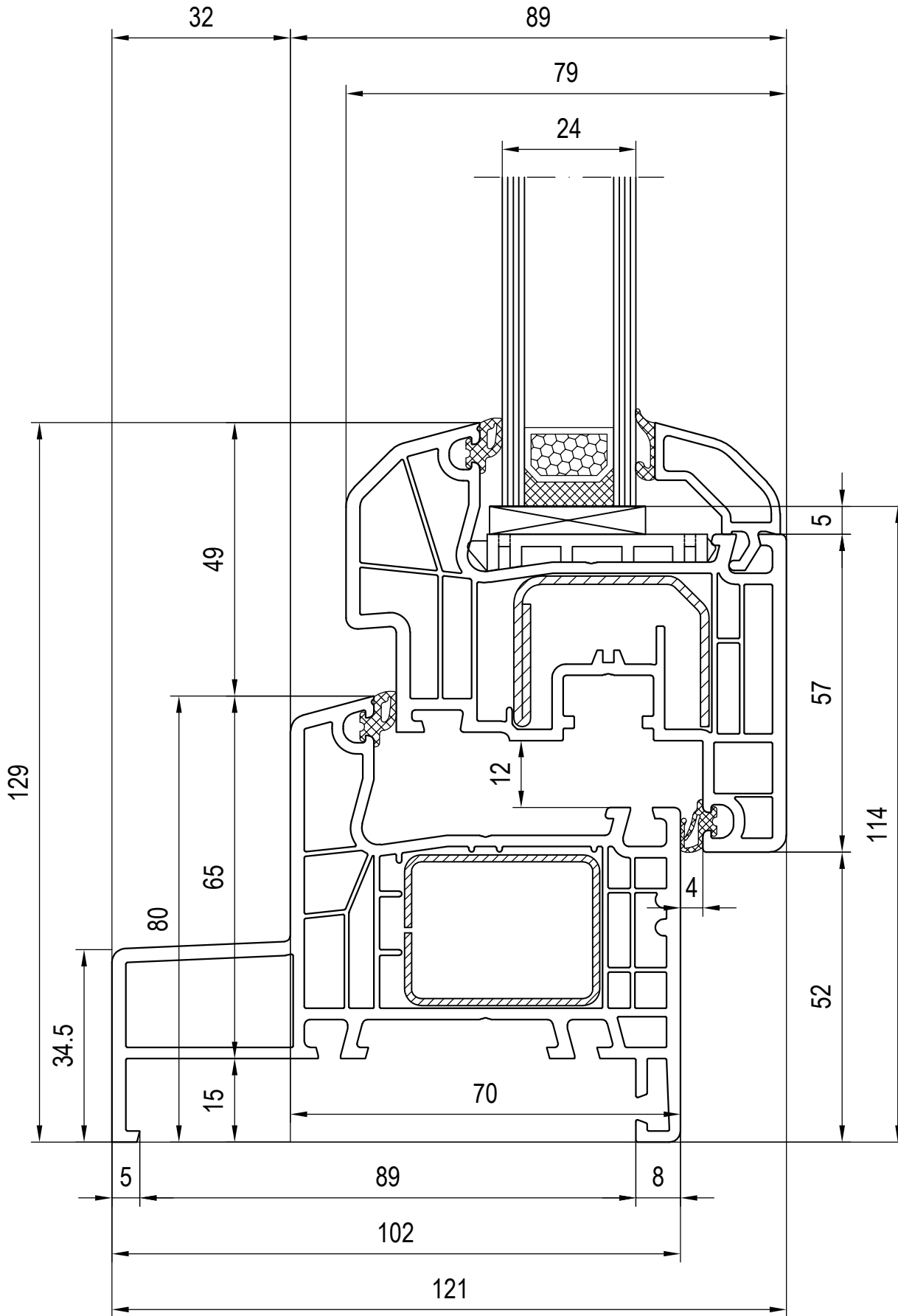


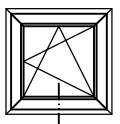
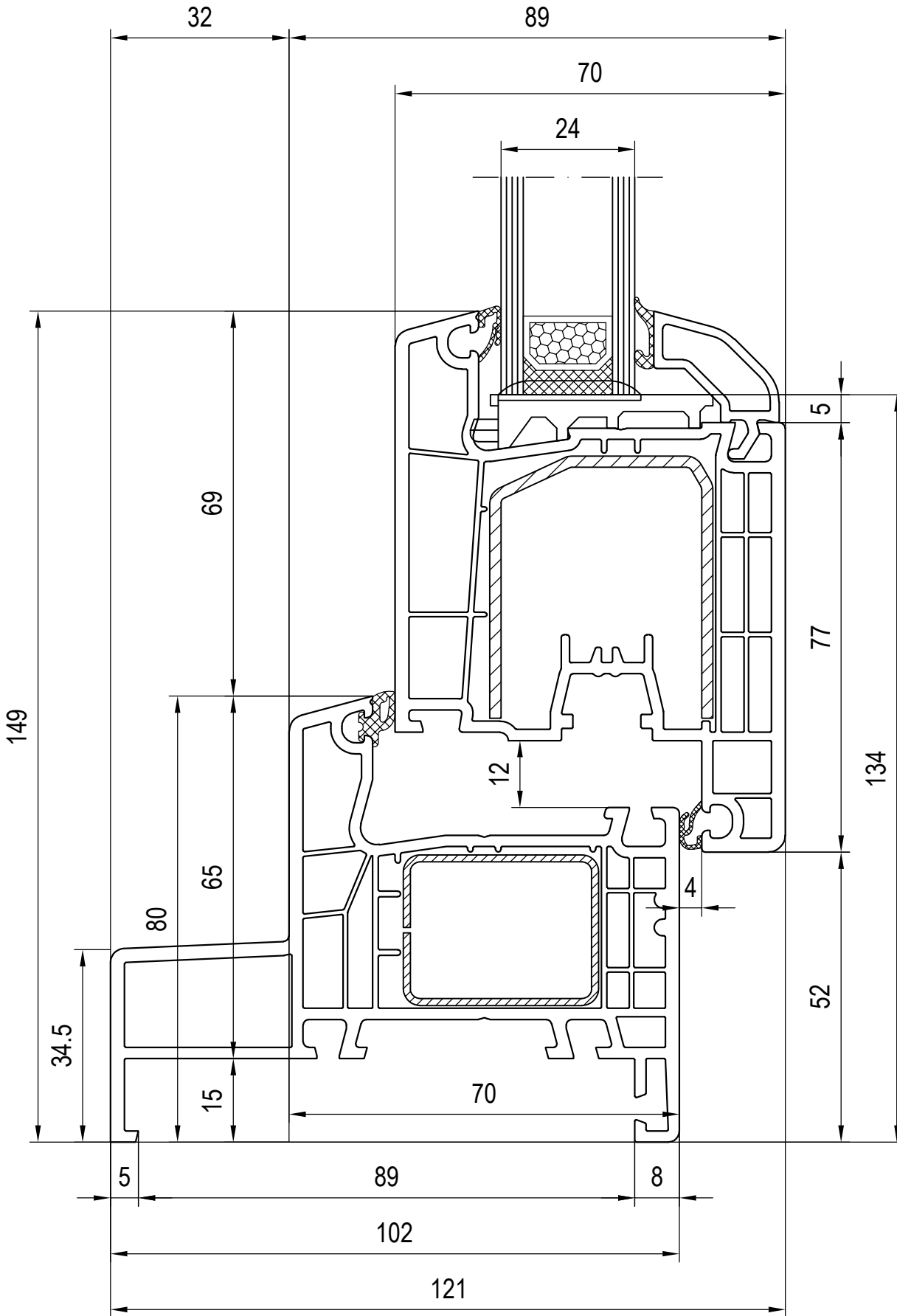


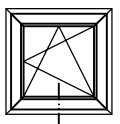
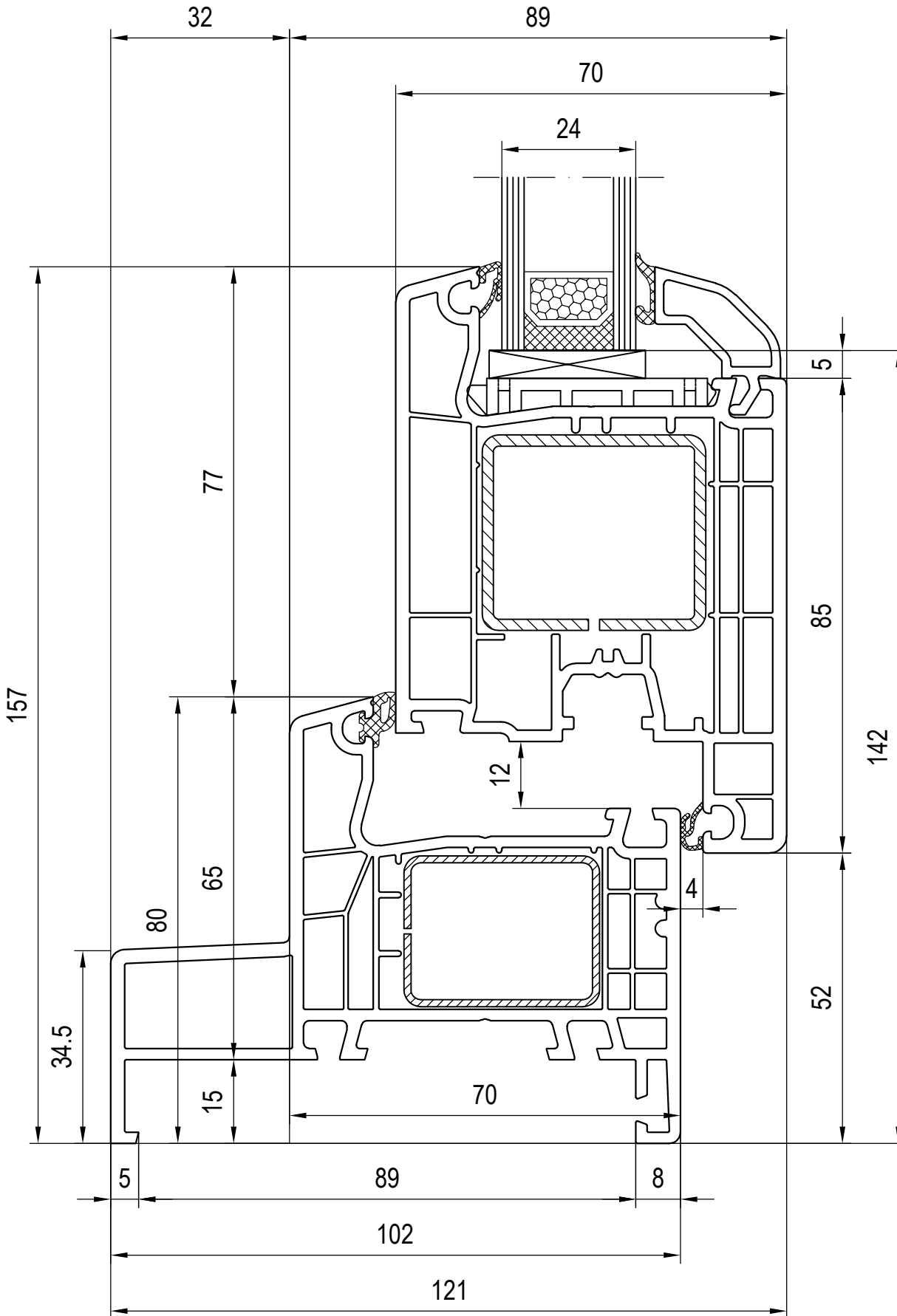


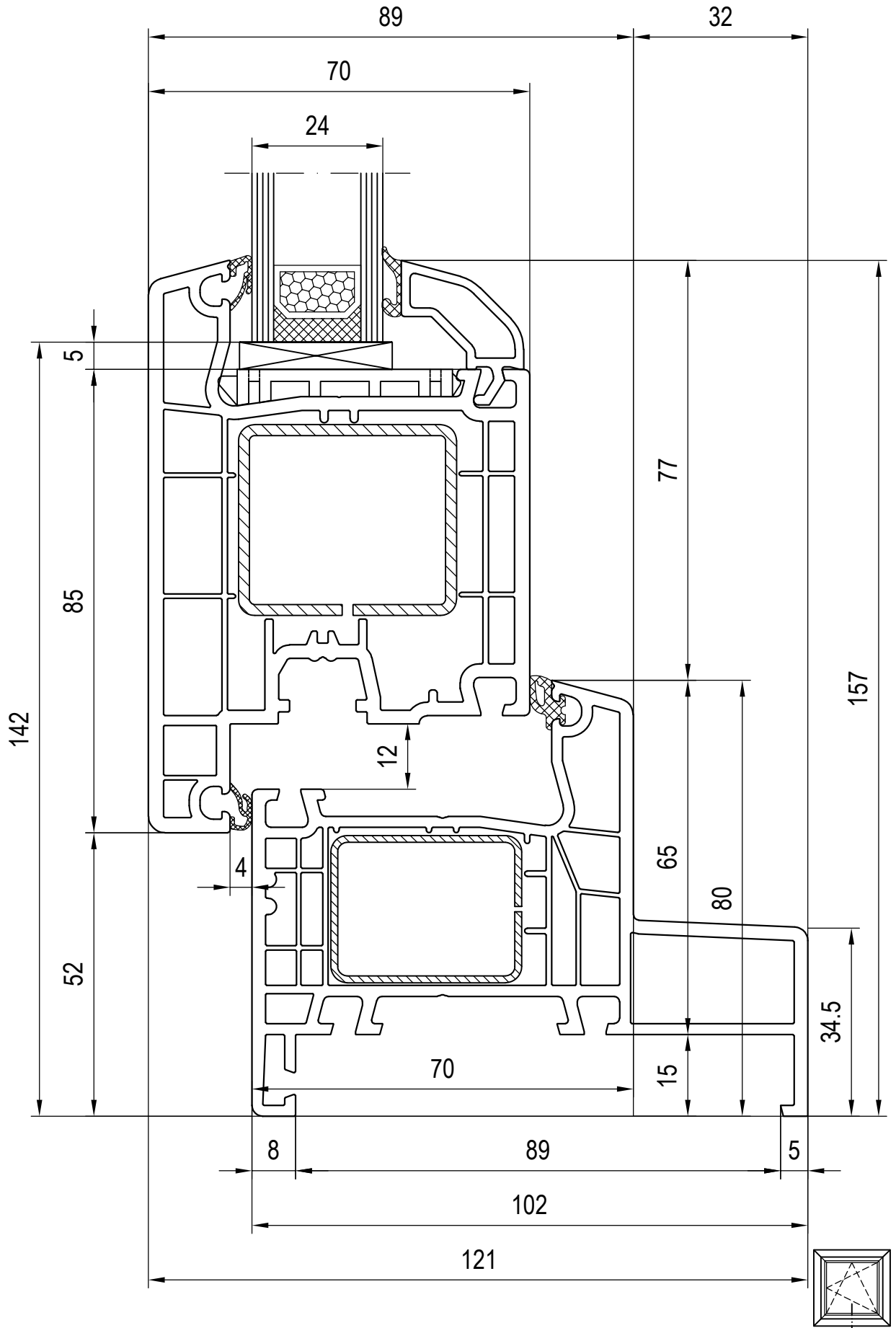


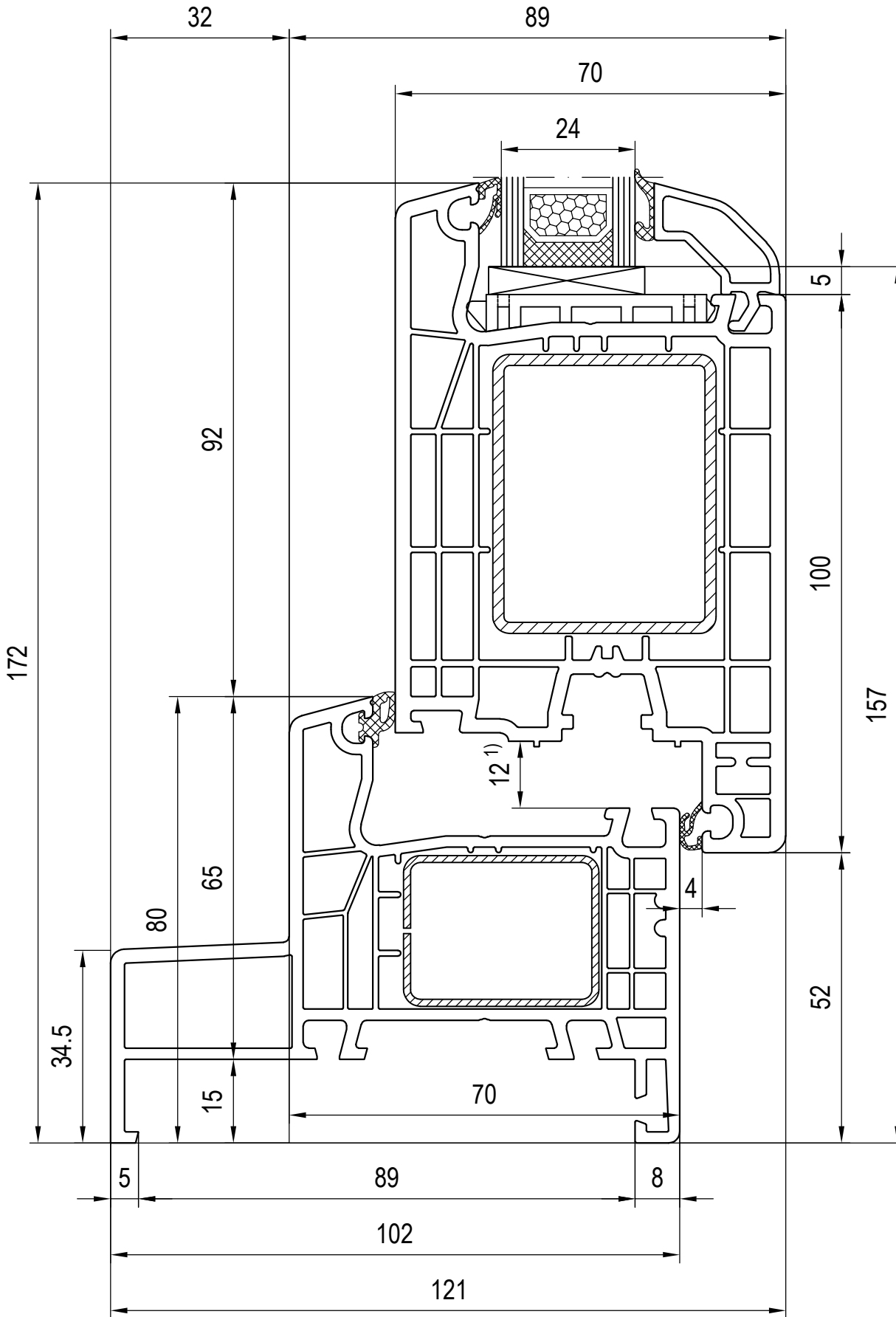












1) Rebate clearance of main entrance door on left and right side = 13 mm

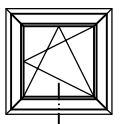
Scale 1:1

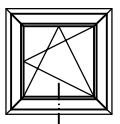
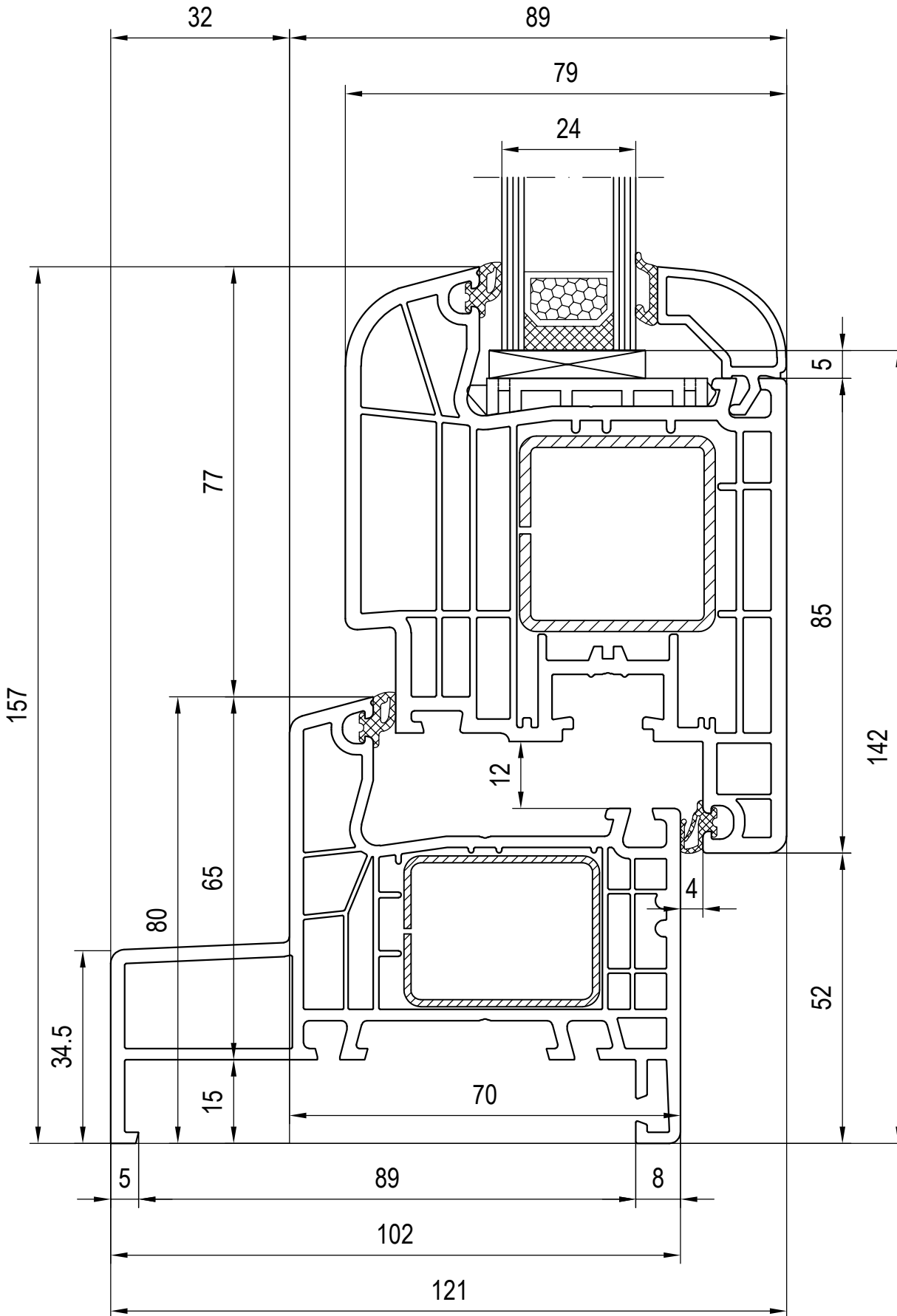
03\_D\_01\_4\*

en May be subject to change and errors excepted!

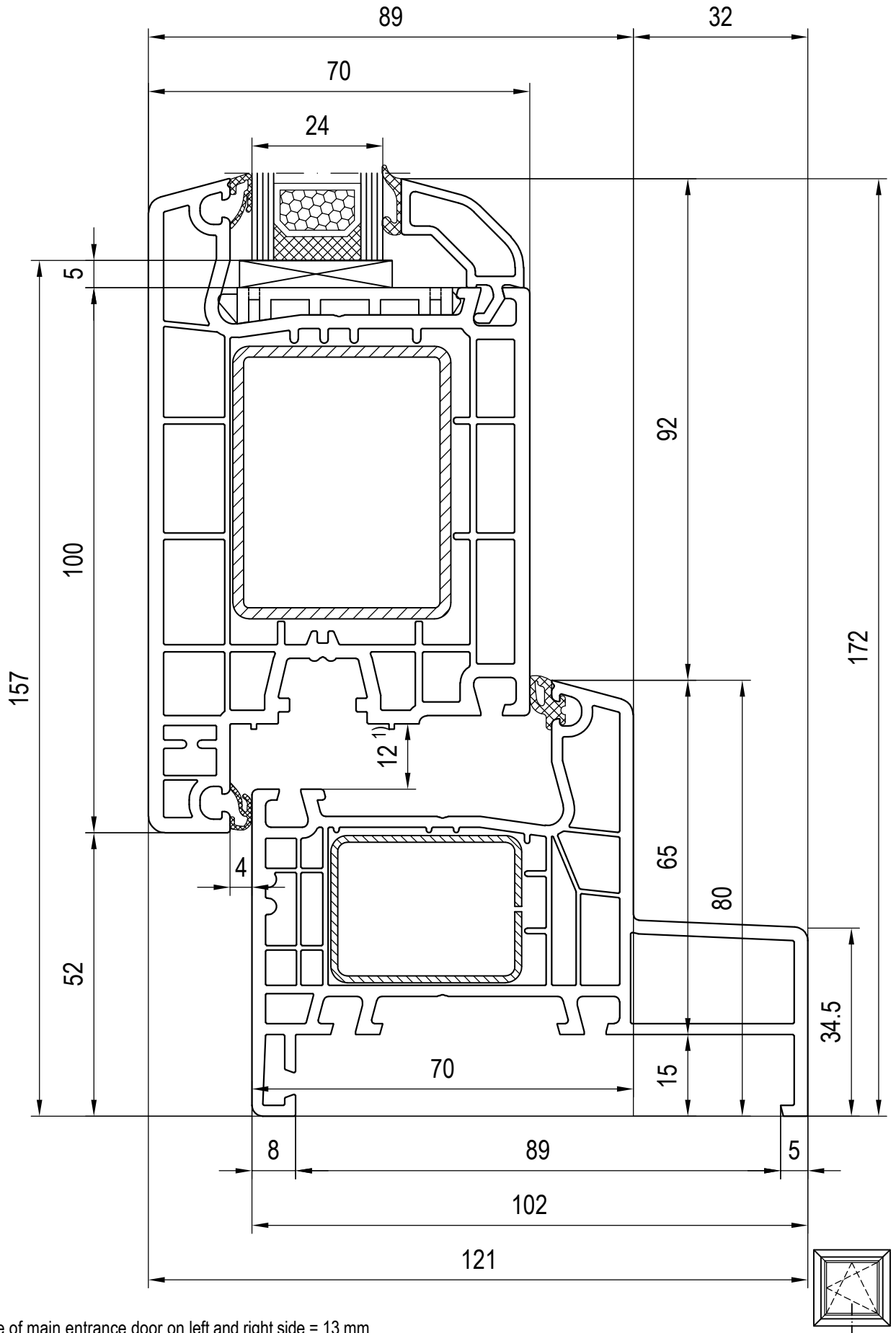
Combinations: frame - sash  
120846/120876 Glazing bead

Frame 140x14  
Sash 140x33





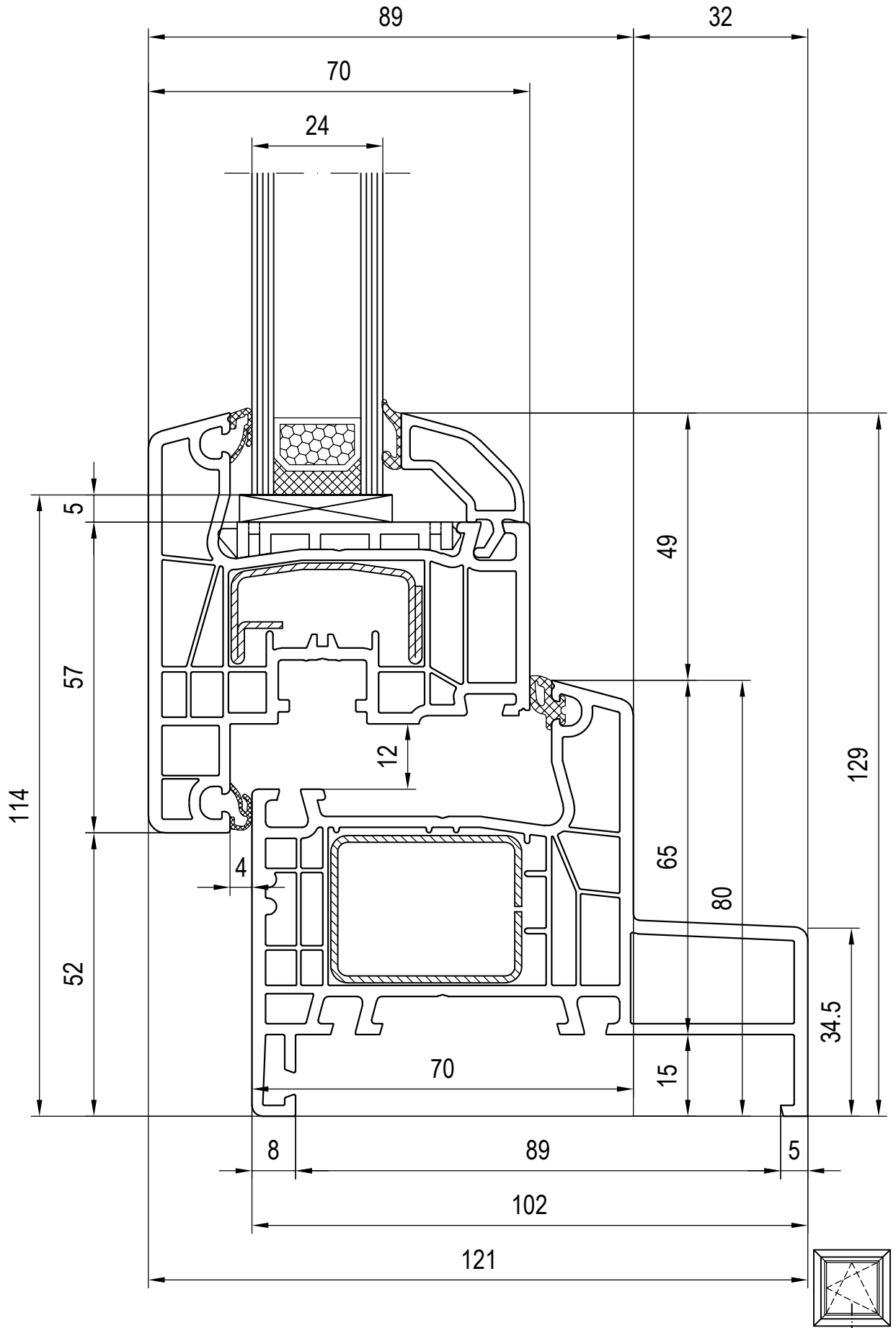


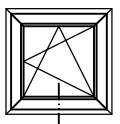
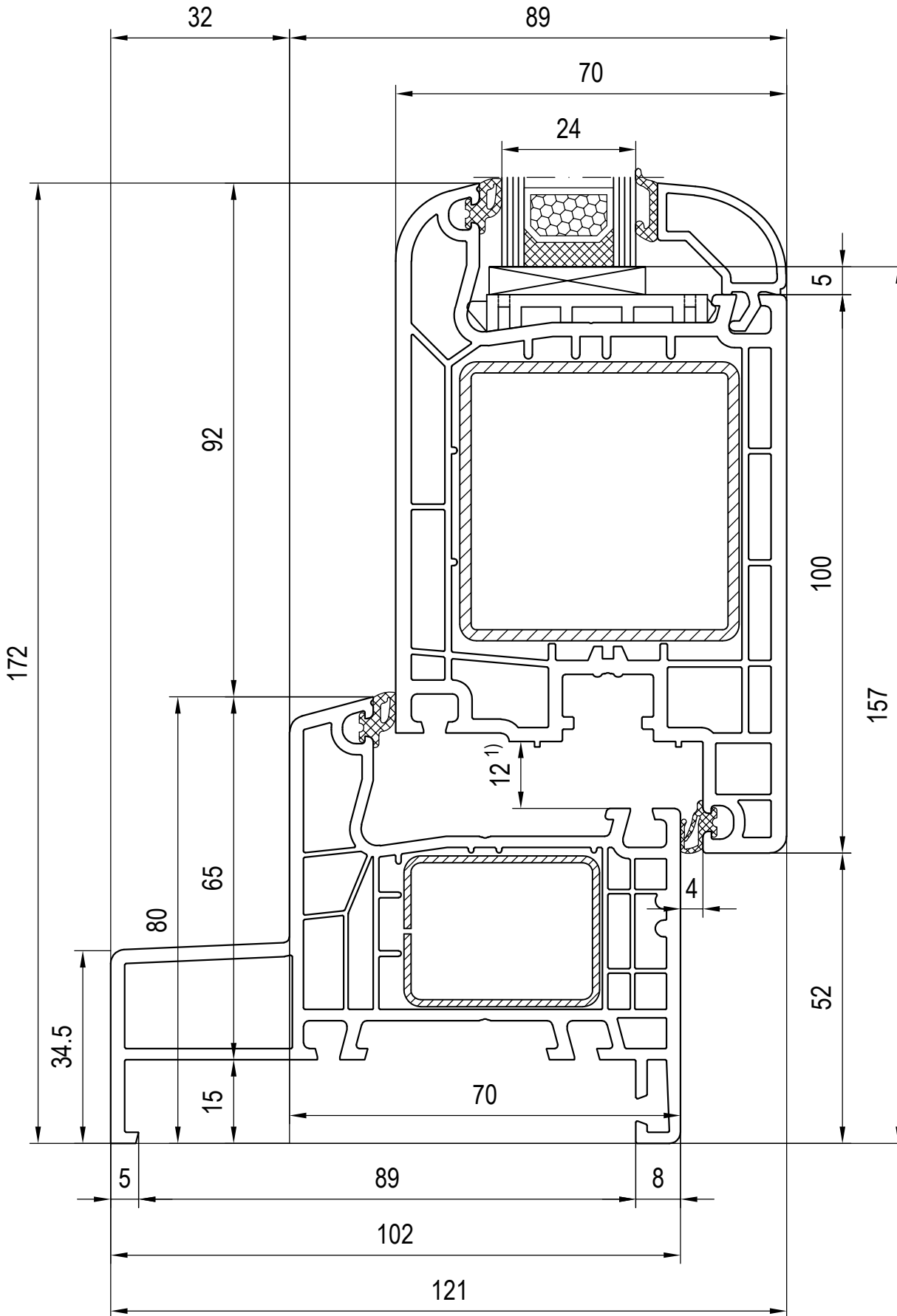


Scale 1:1  
03\_D\_01\_4\*  
en May be subject to change and errors excepted!

Combinations: frame - sash  
120846/120876 Glazing bead

Frame 140x14  
Sash 140x35





1) Rebate clearance of main entrance door on left and right side = 13 mm

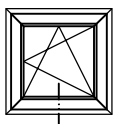
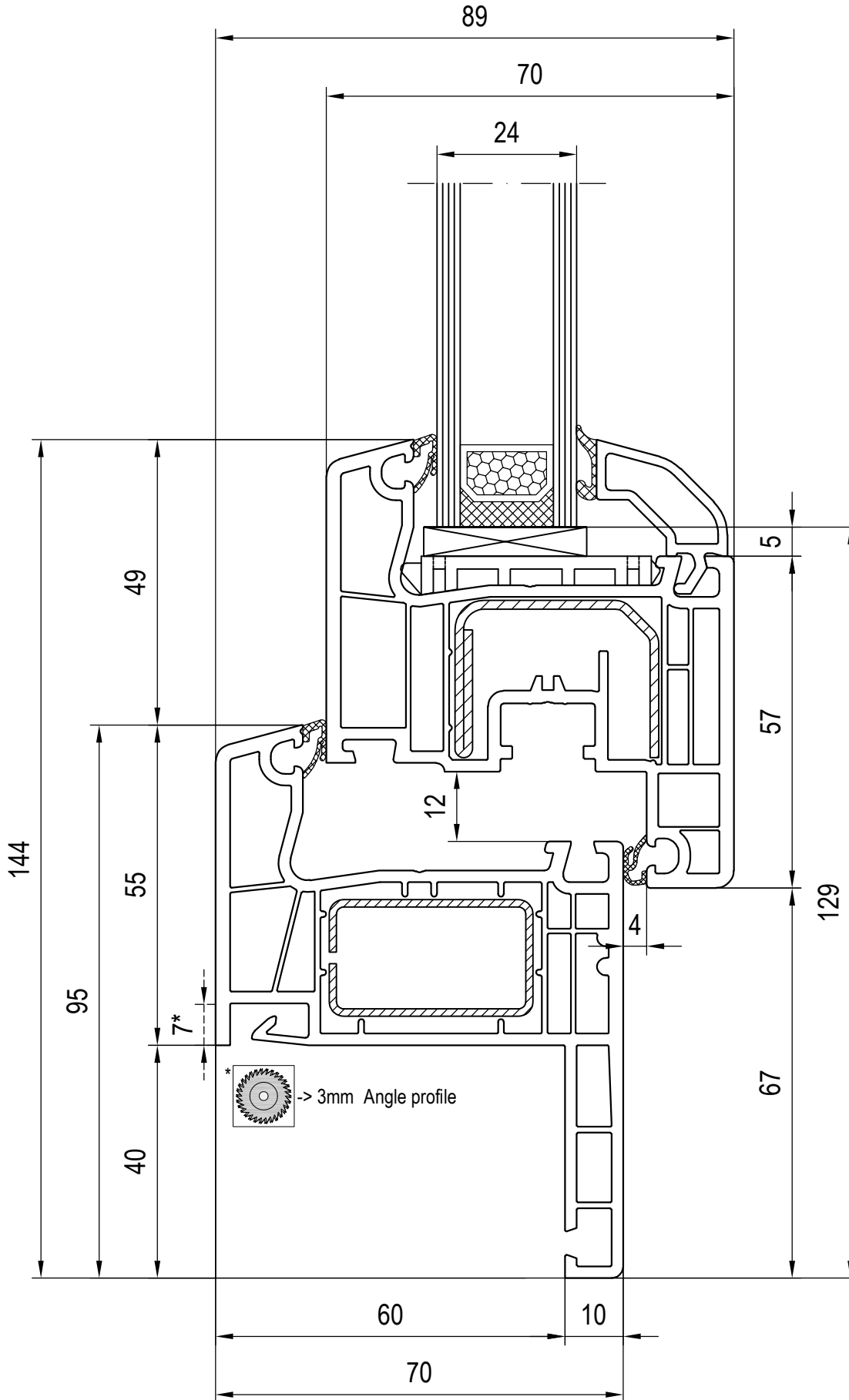
Scale 1:1

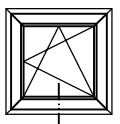
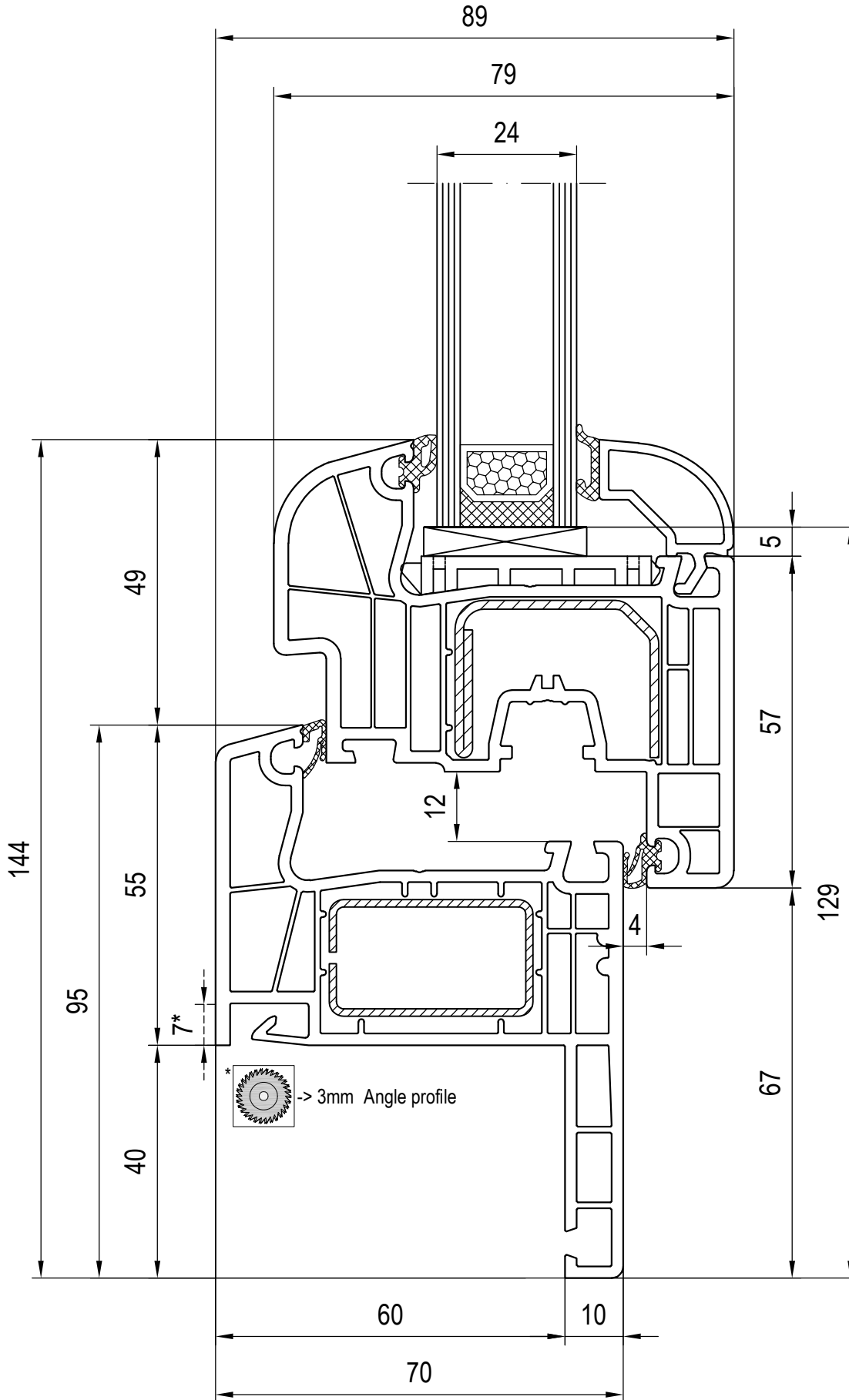
03\_D\_01\_4\*

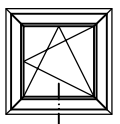
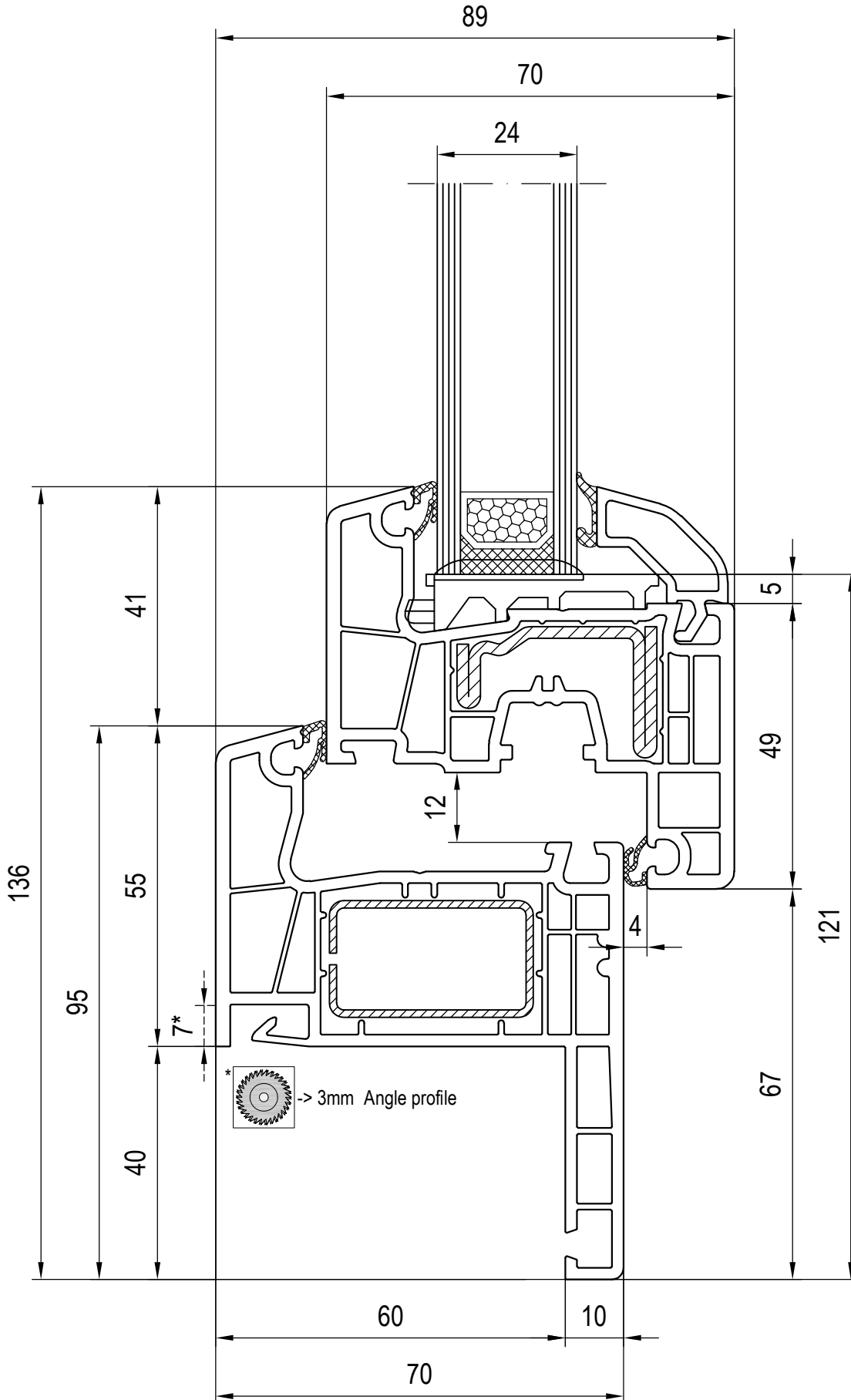
en May be subject to change and errors excepted!

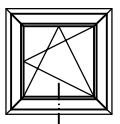
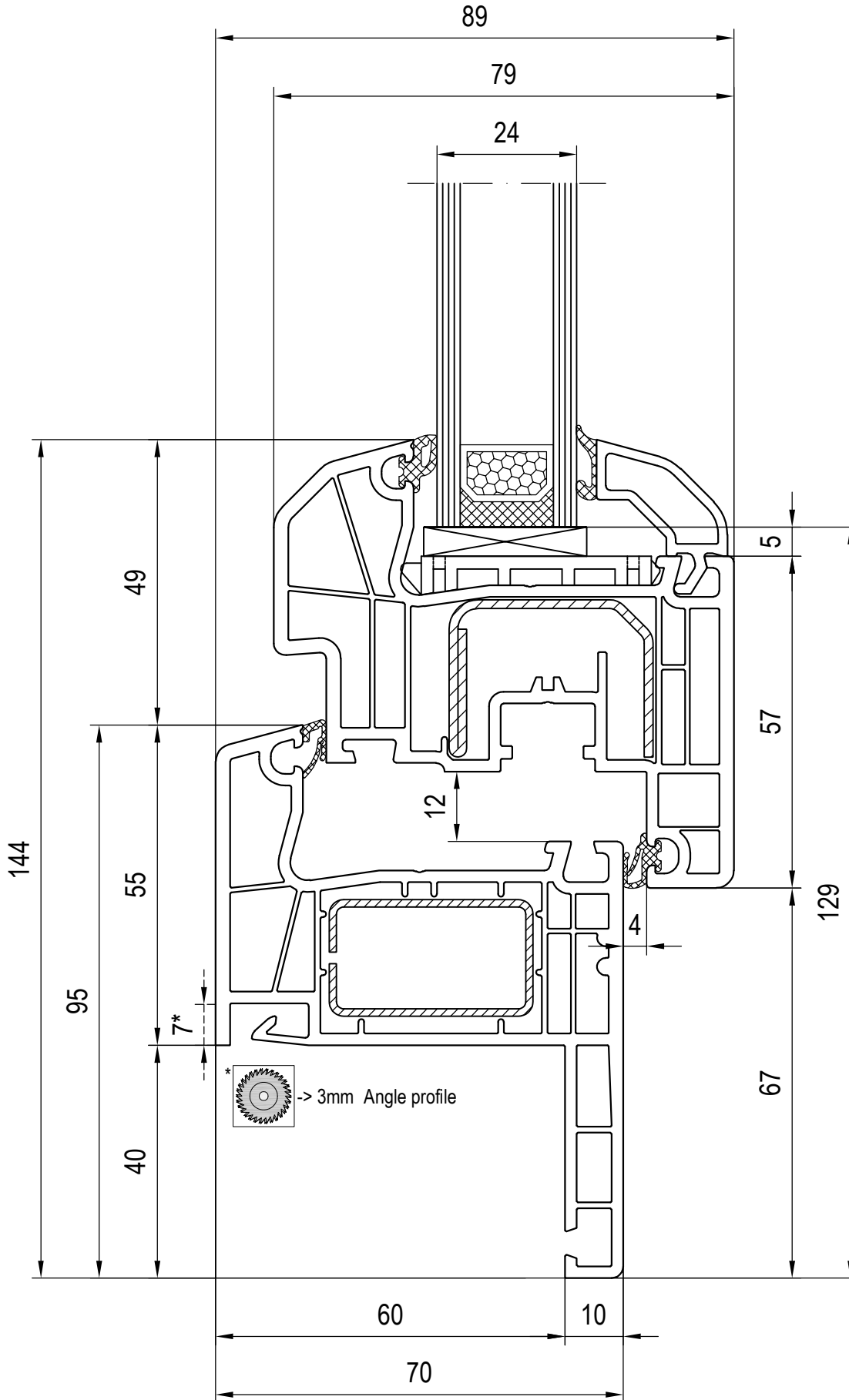
**Combinations: frame - sash  
120850/120880 Glazing bead**

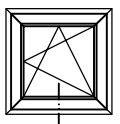
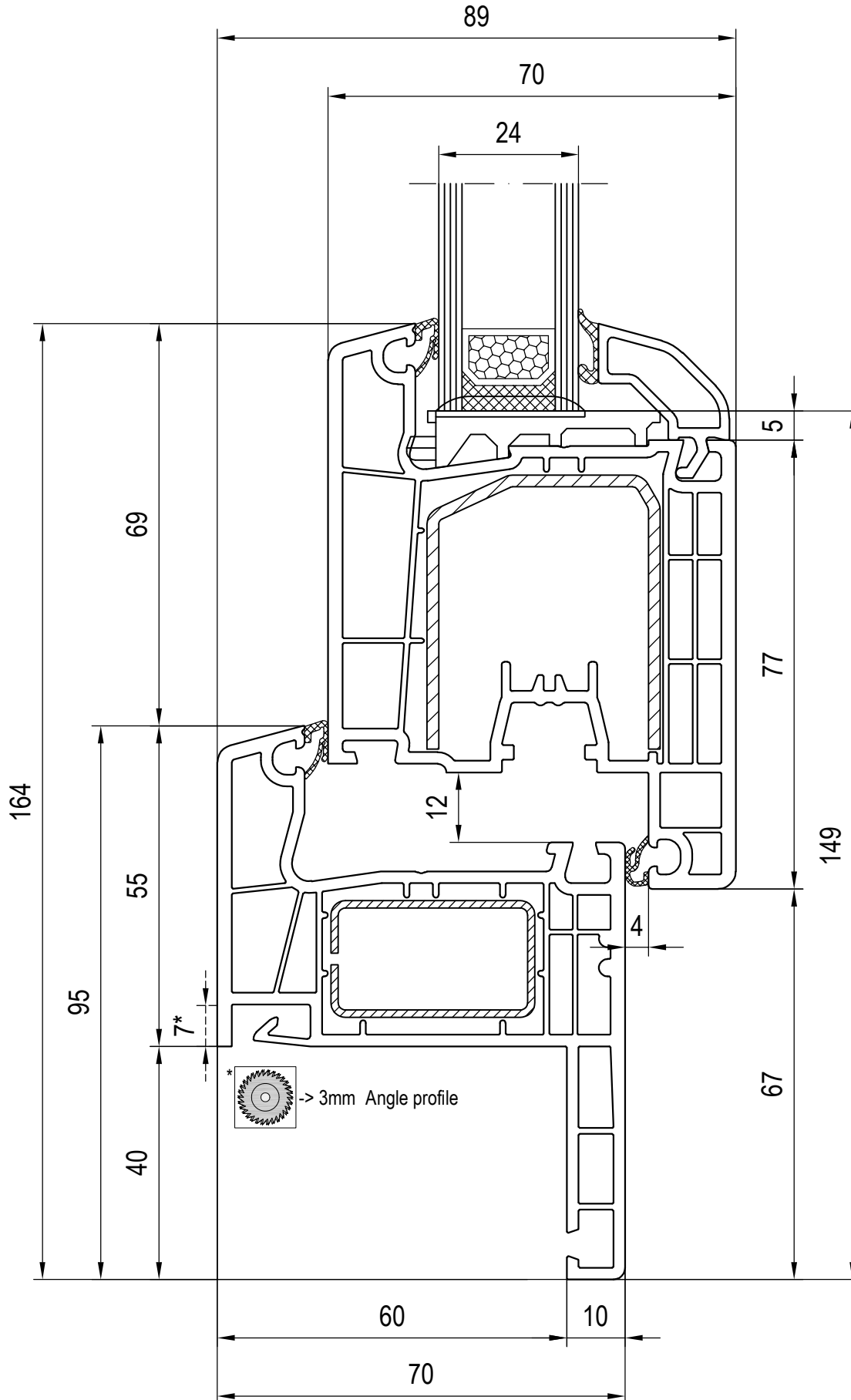
**Frame 140x14  
Sash 140x38**



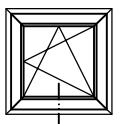
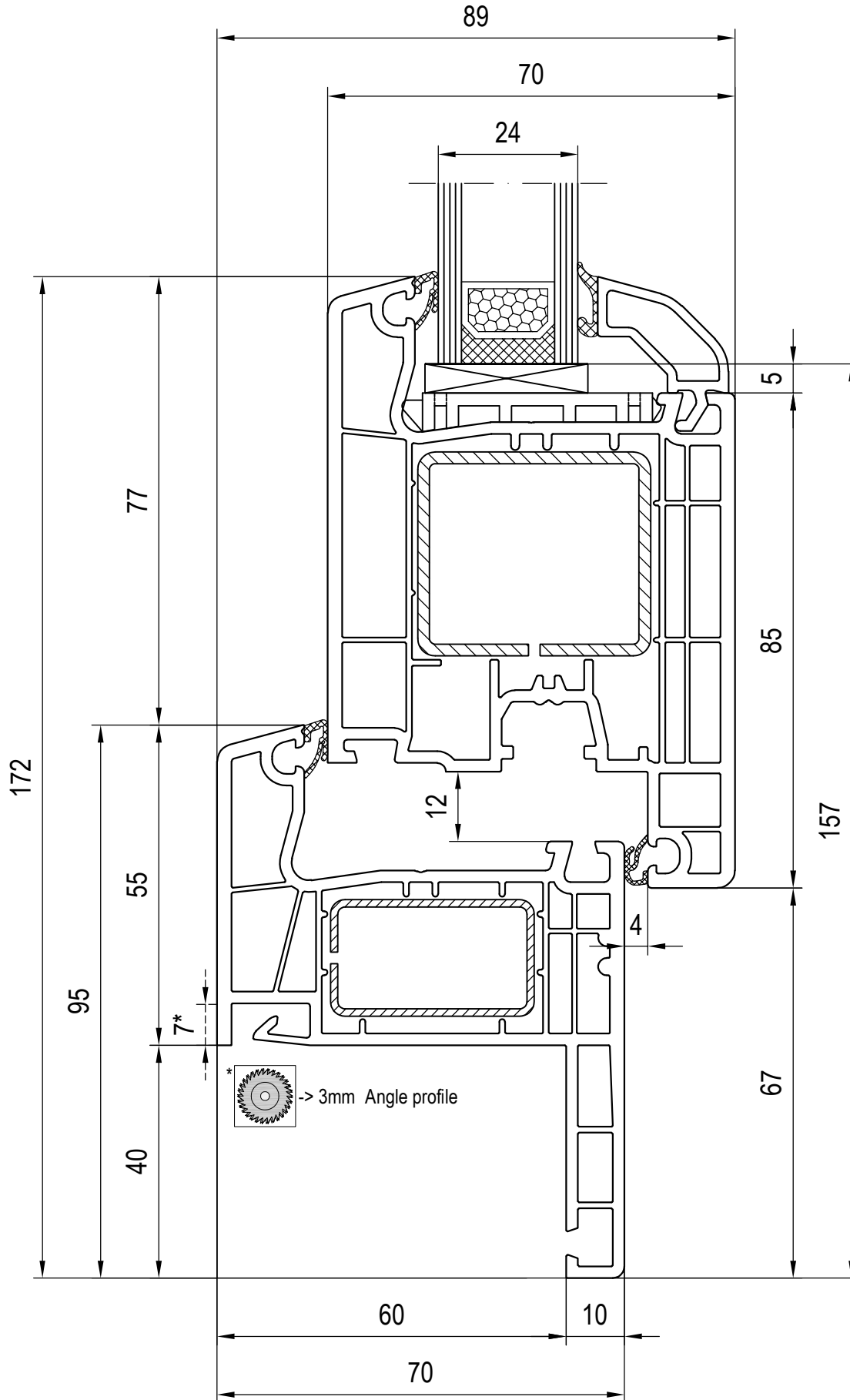


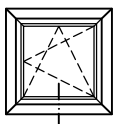
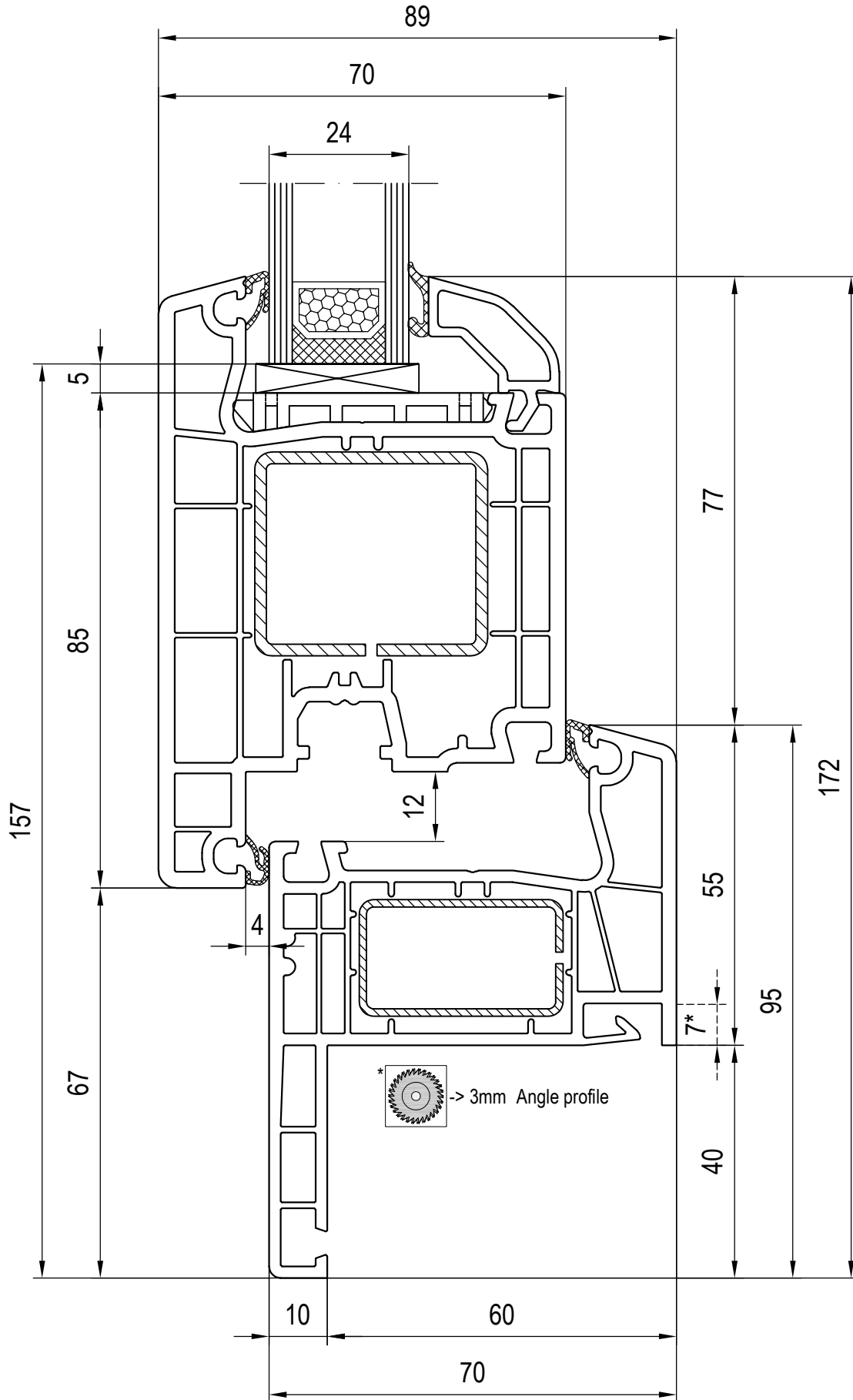


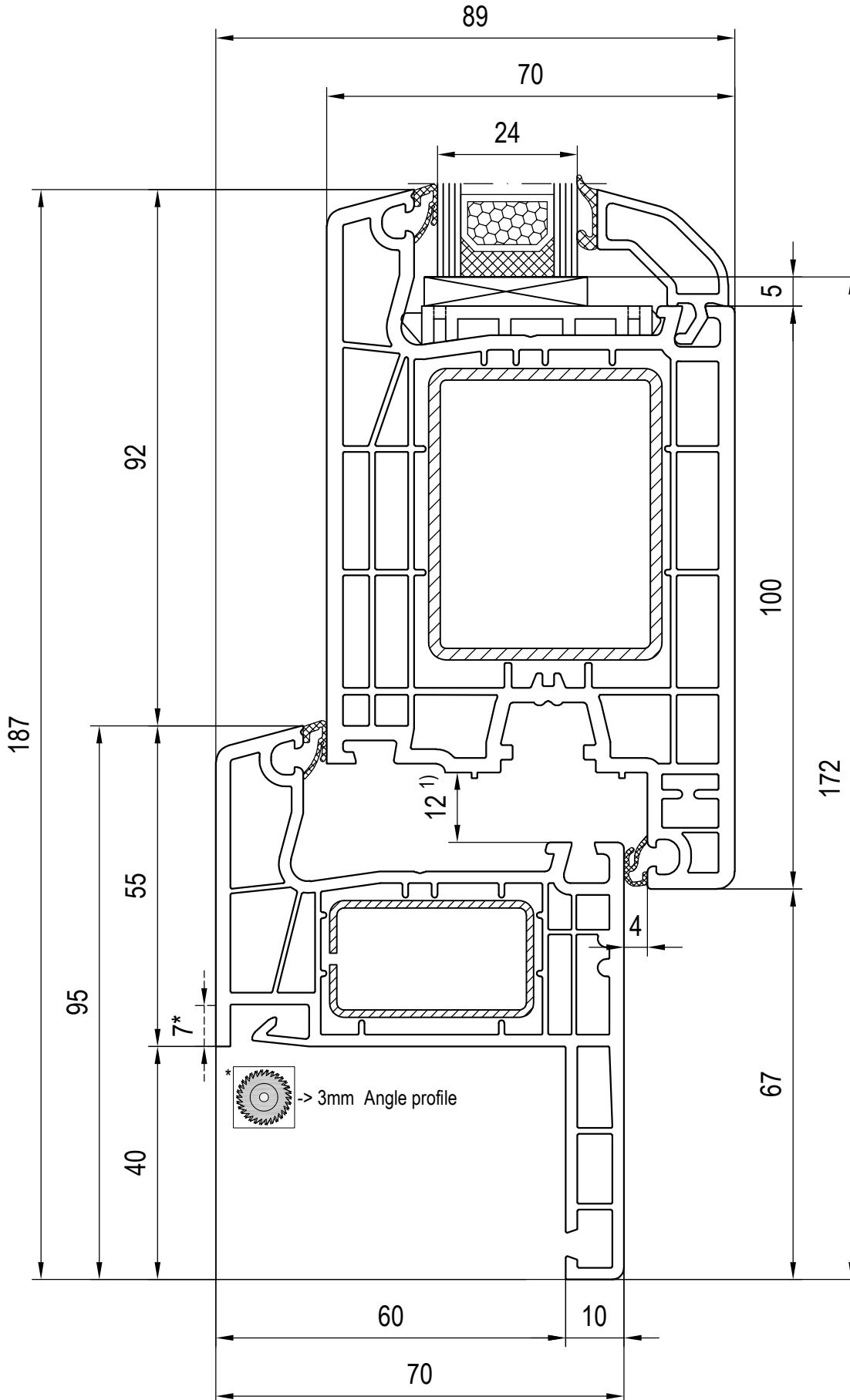












1) Rebate clearance of main entrance door on left and right side = 13 mm

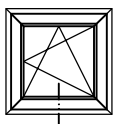
Scale 1:1

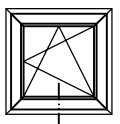
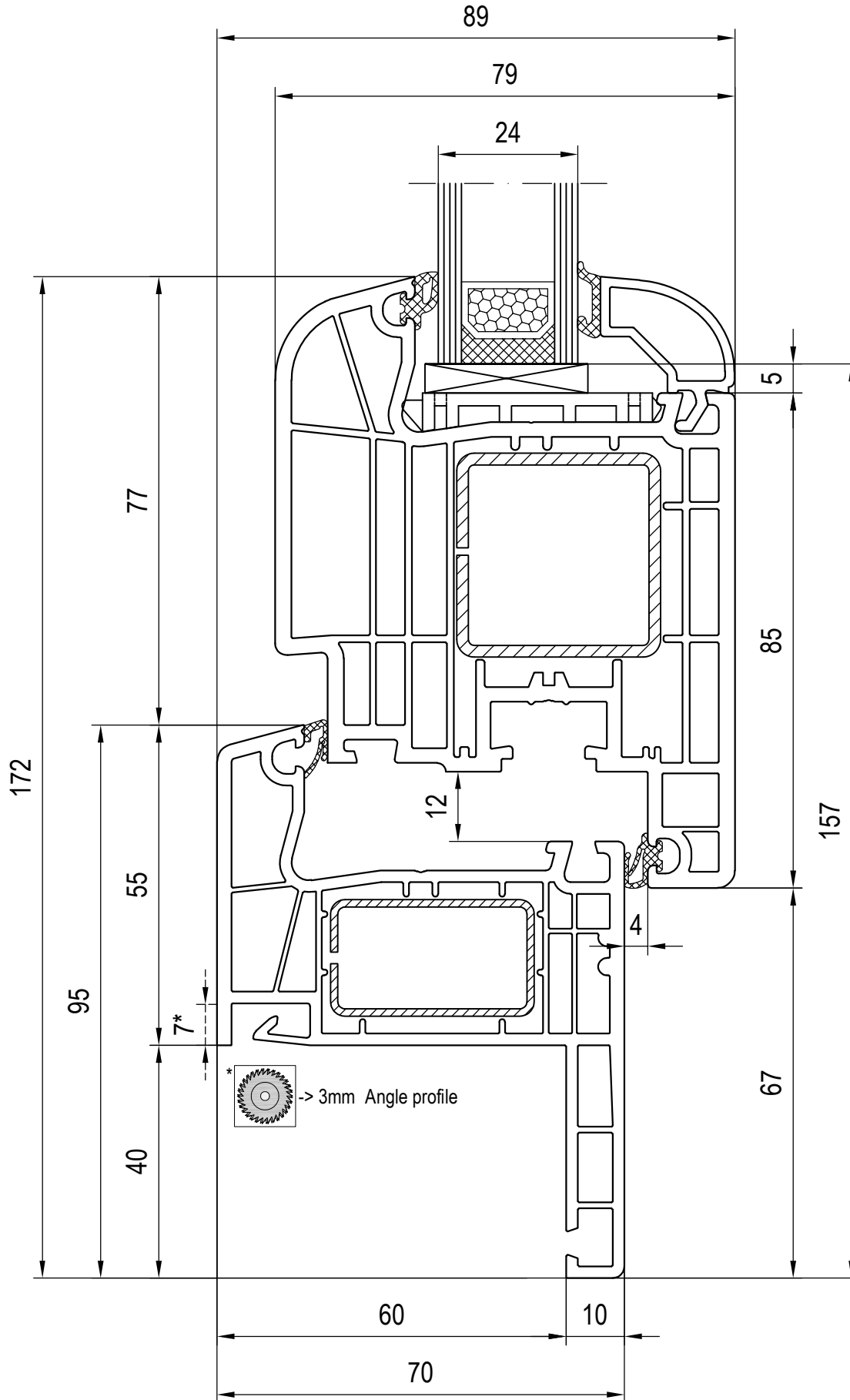
03\_D\_01\_4\*

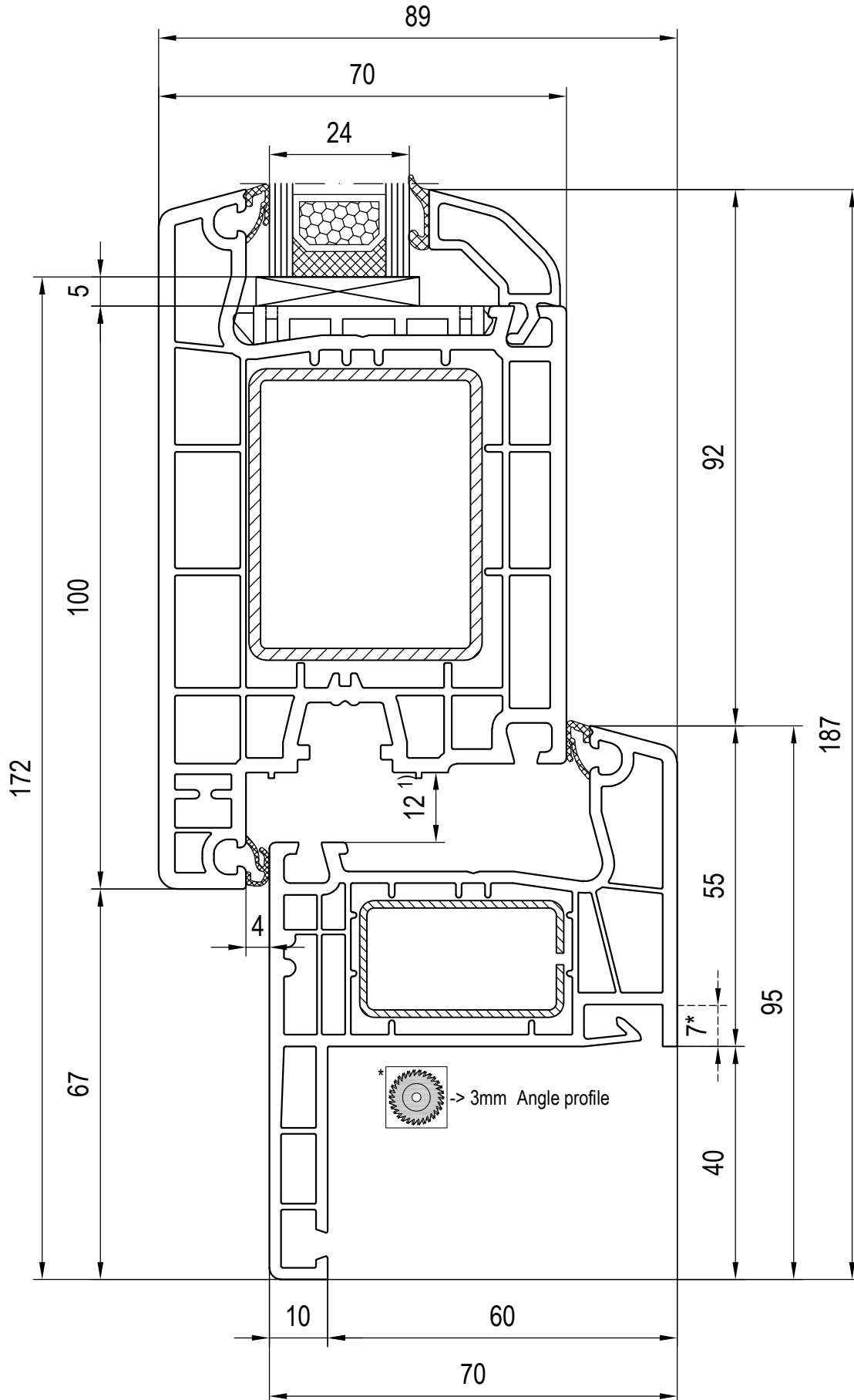
en May be subject to change and errors excepted!

Combinations: frame - sash  
**120846/120876 Glazing bead**

**Frame 140x15**  
**Sash 140x33**







1) Rebate clearance of main entrance door on left and right side = 13 mm

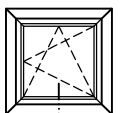
Scale 1:1

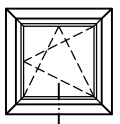
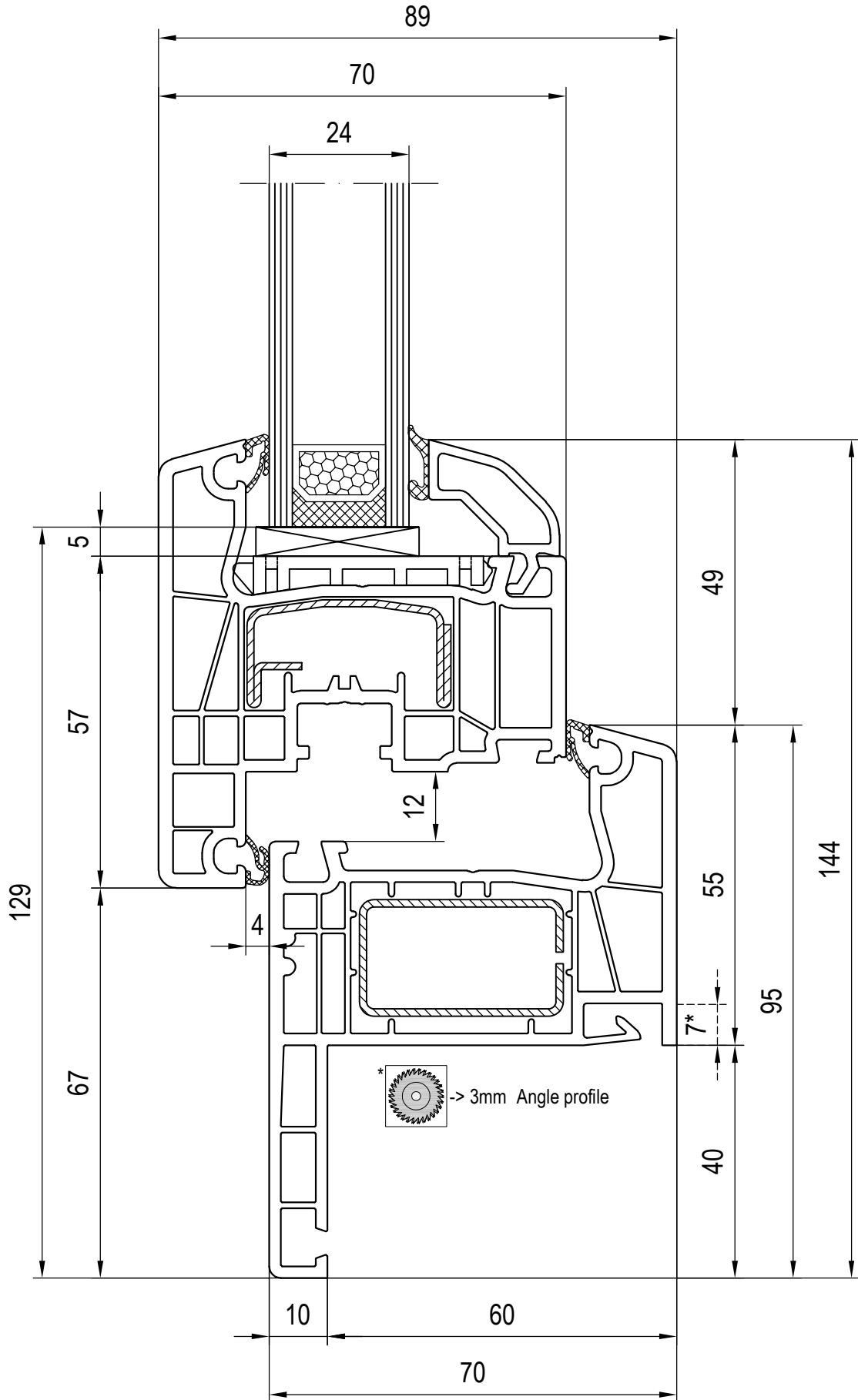
03\_D\_01\_4\*

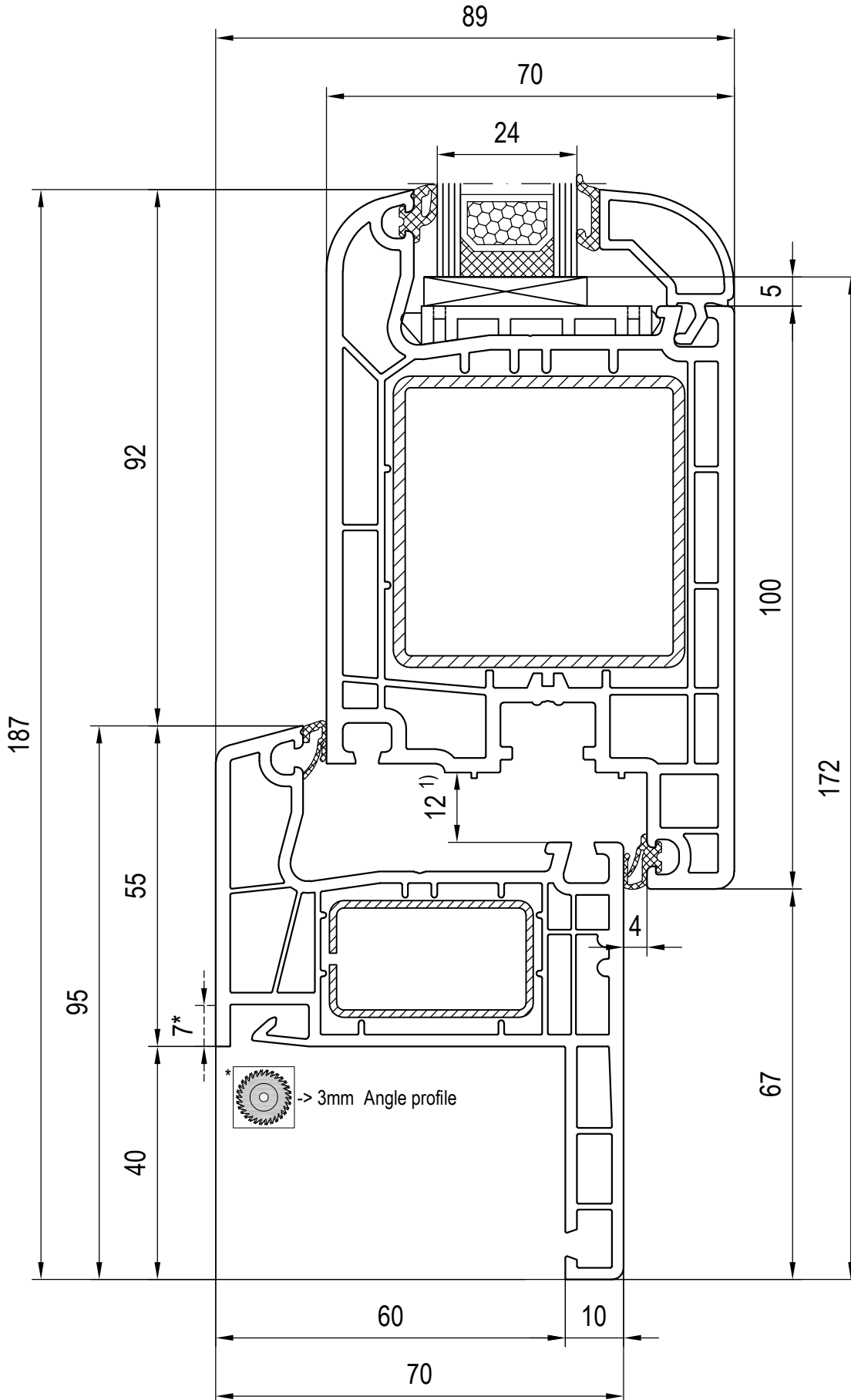
en May be subject to change and errors excepted!

Combinations: frame - sash  
120846/120876 Glazing bead

Frame 140x15  
Sash 140x35







1) Rebate clearance of main entrance door on left and right side = 13 mm

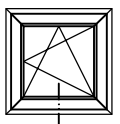
Scale 1:1

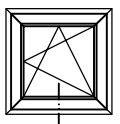
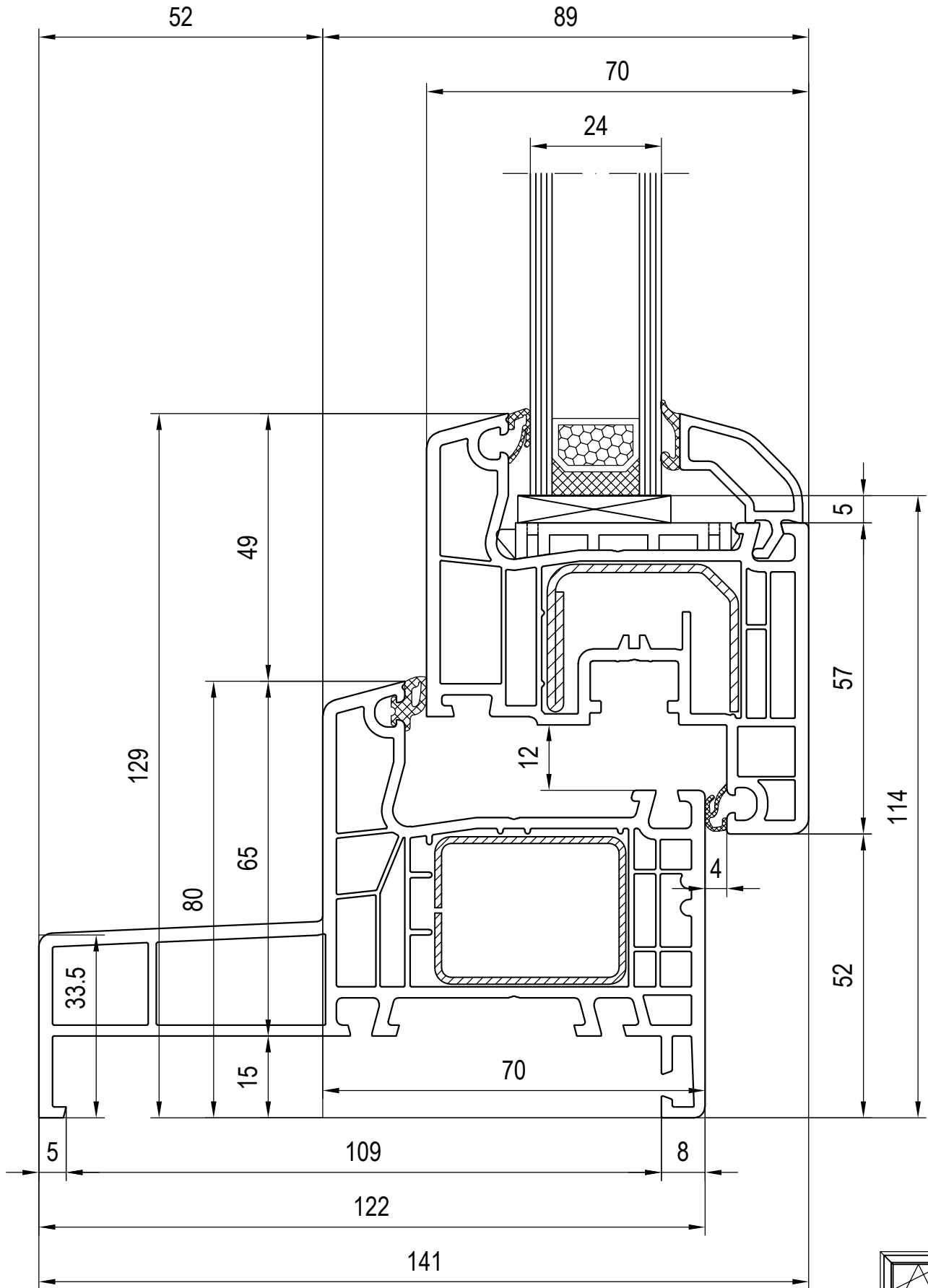
03\_D\_01\_4\*

en May be subject to change and errors excepted!

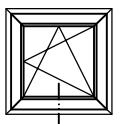
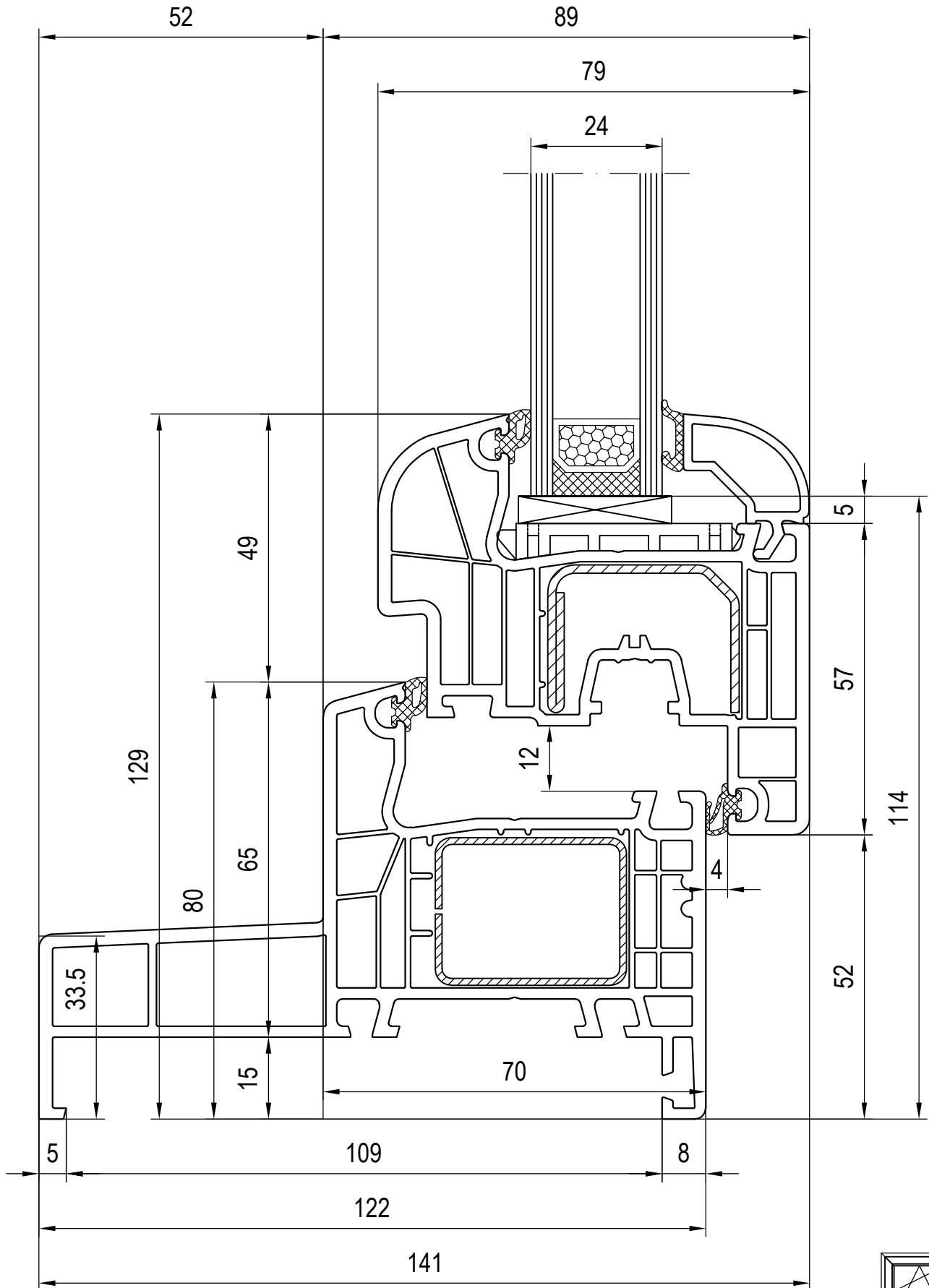
Combinations: frame - sash  
**120850/120880 Glazing bead**

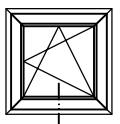
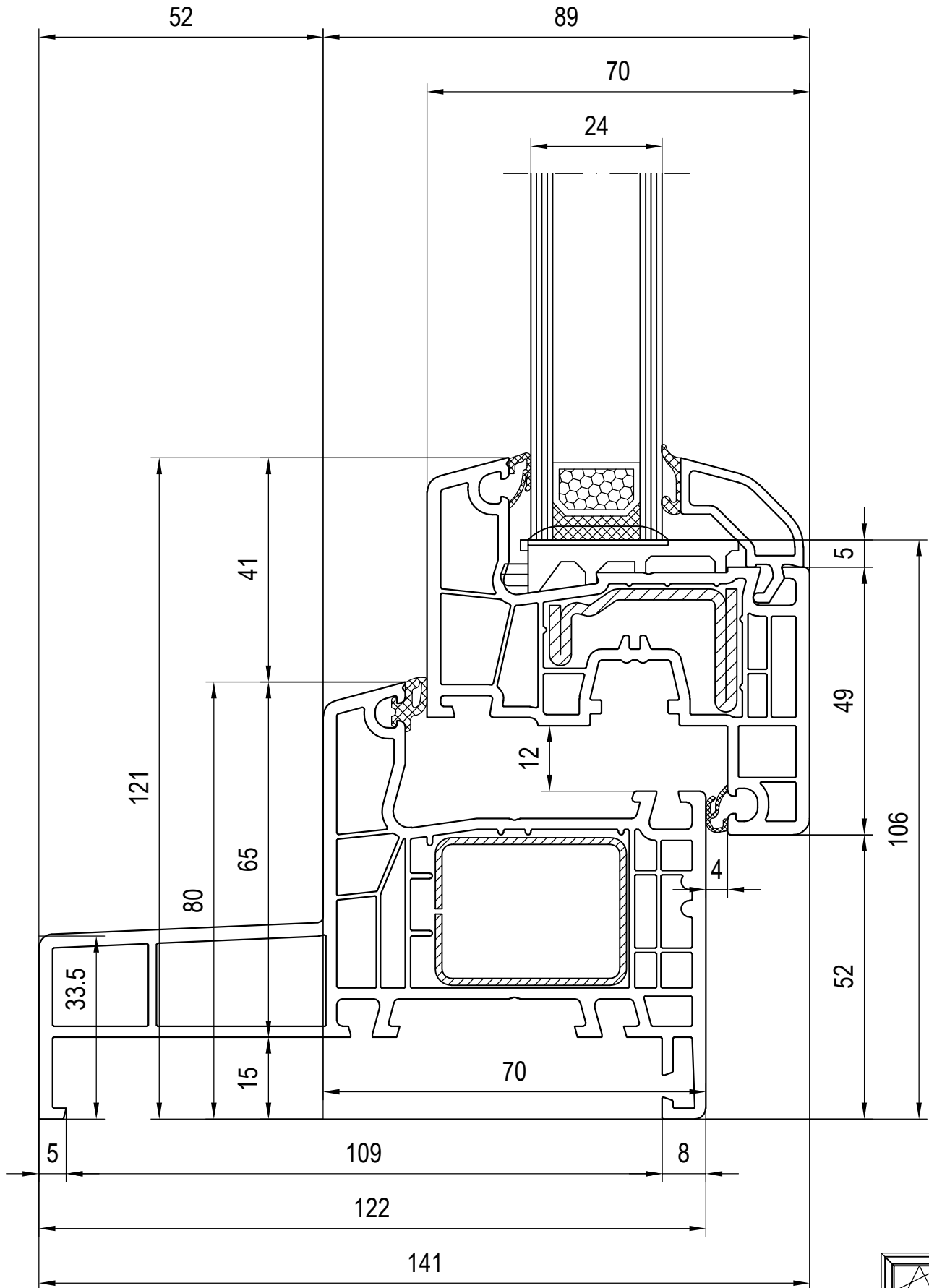
**Frame 140x15**  
**Sash 140x38**

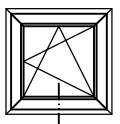
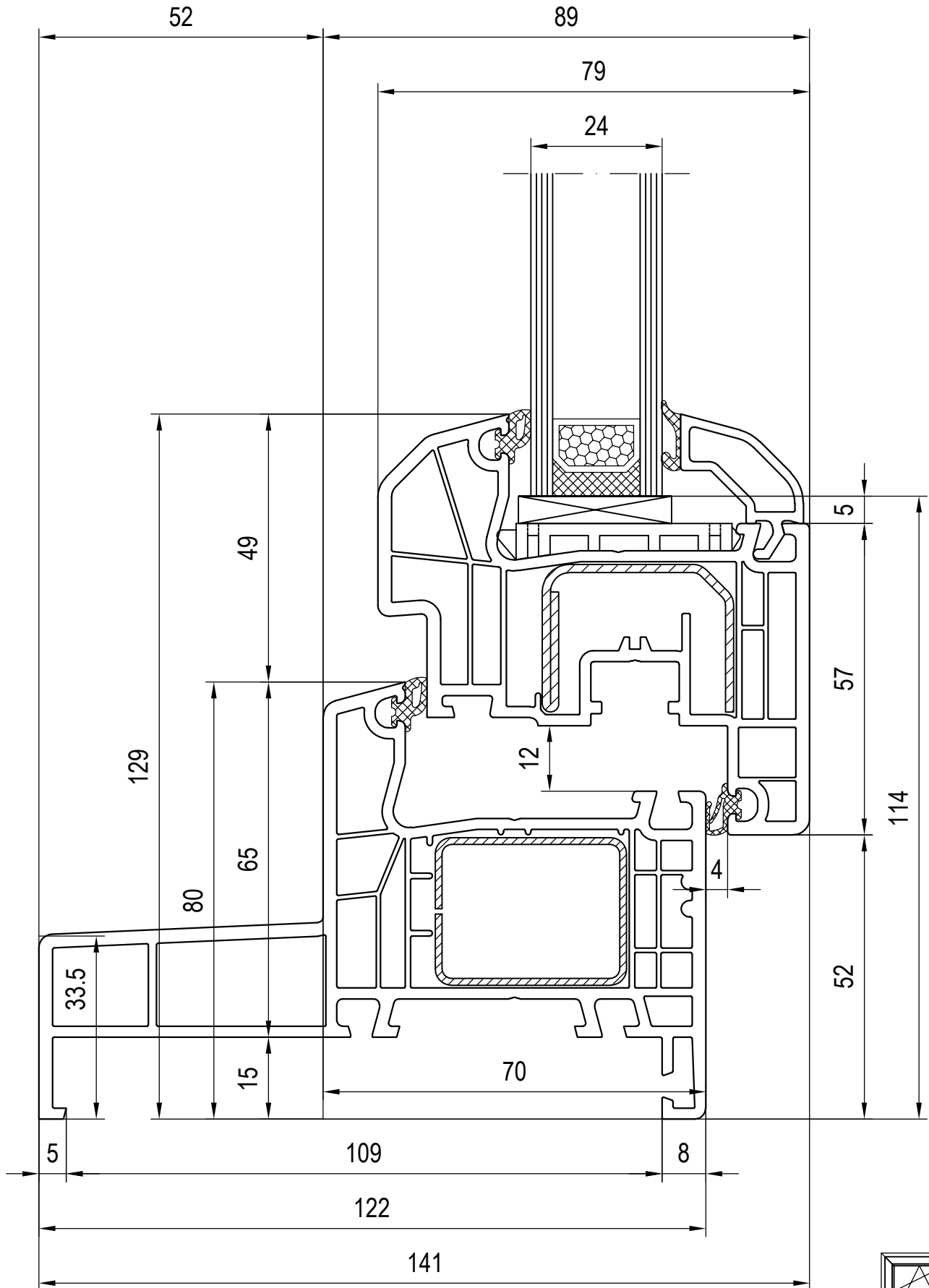


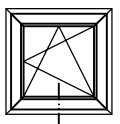
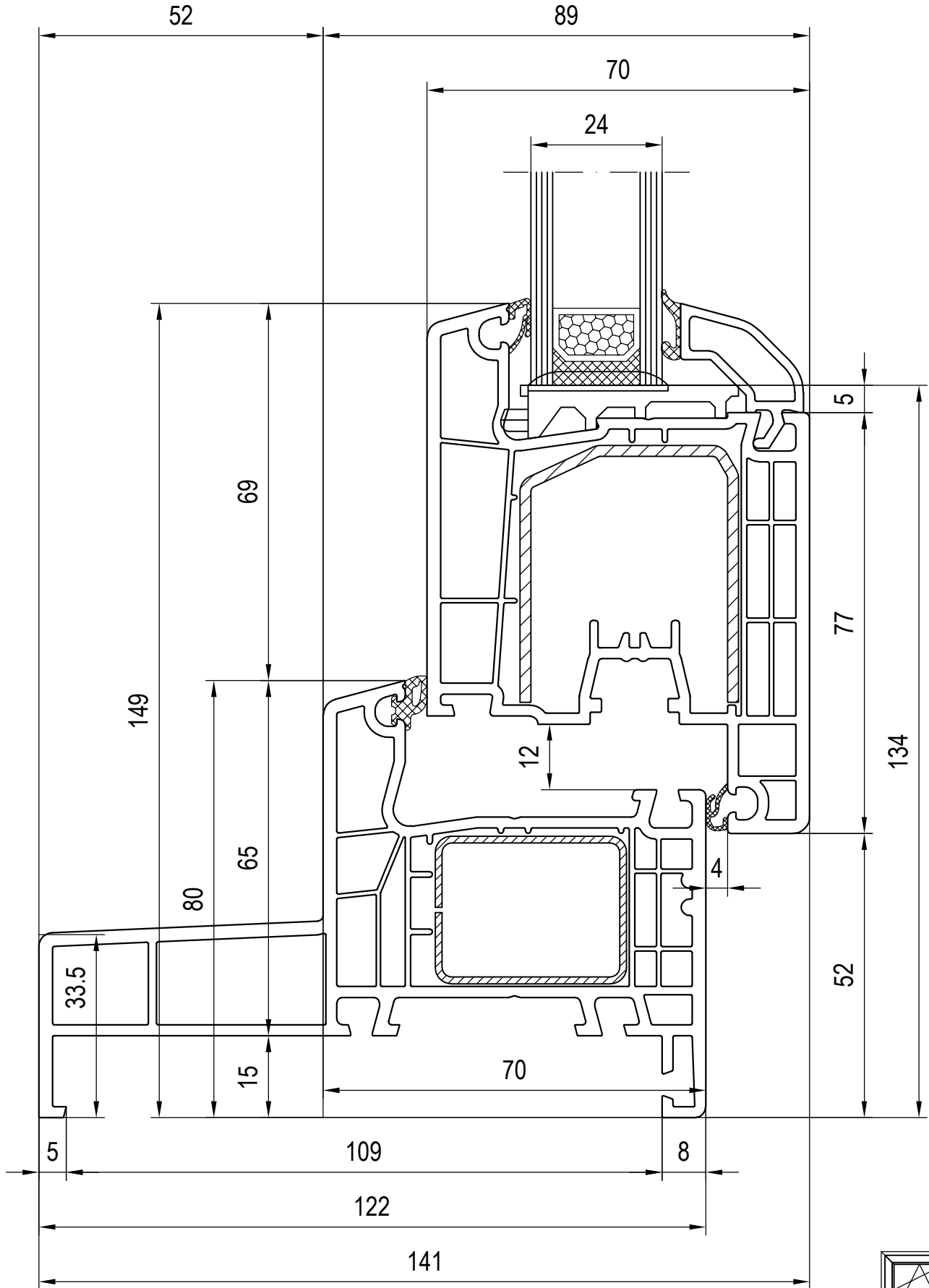


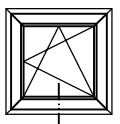
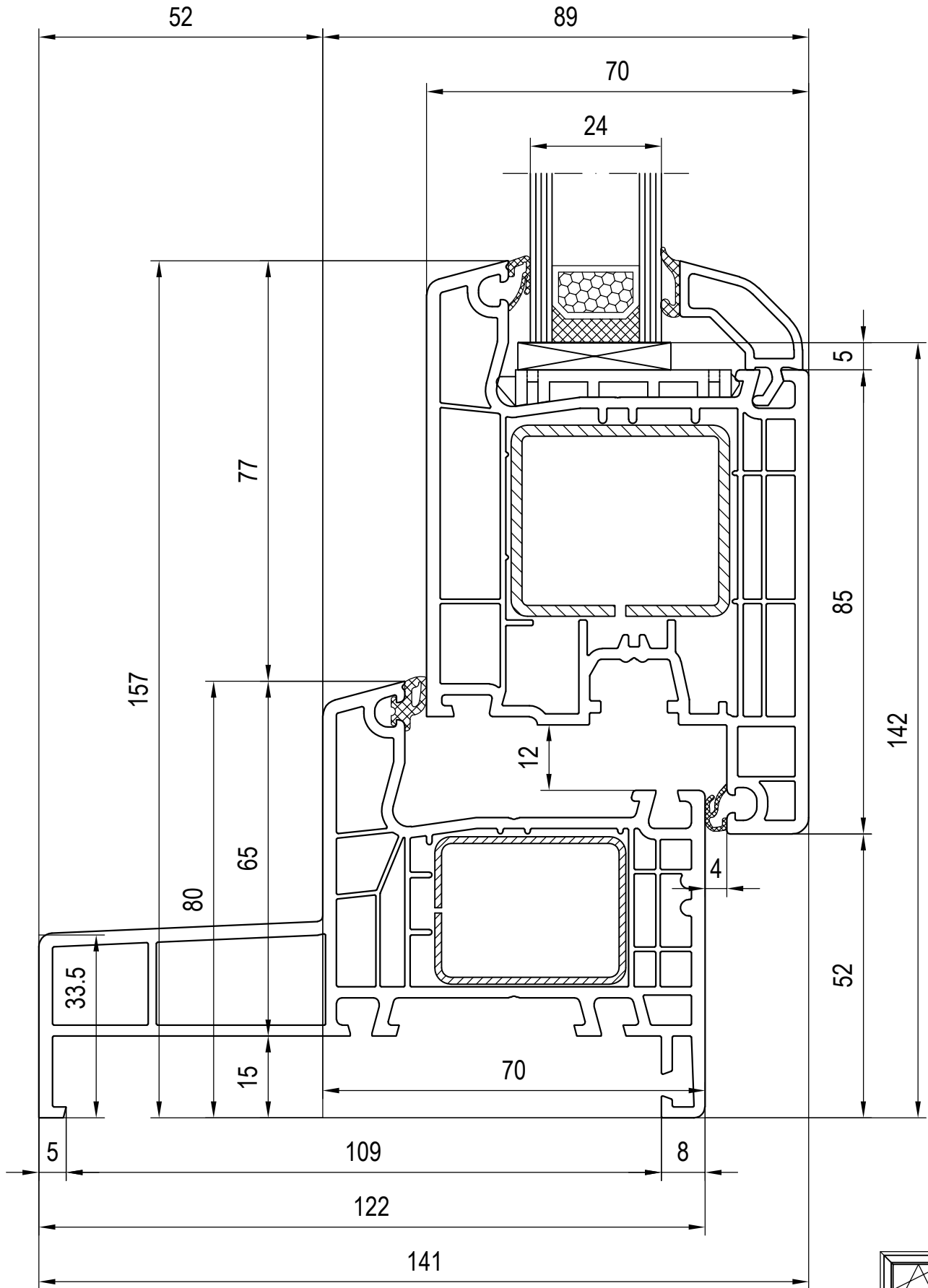


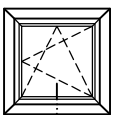
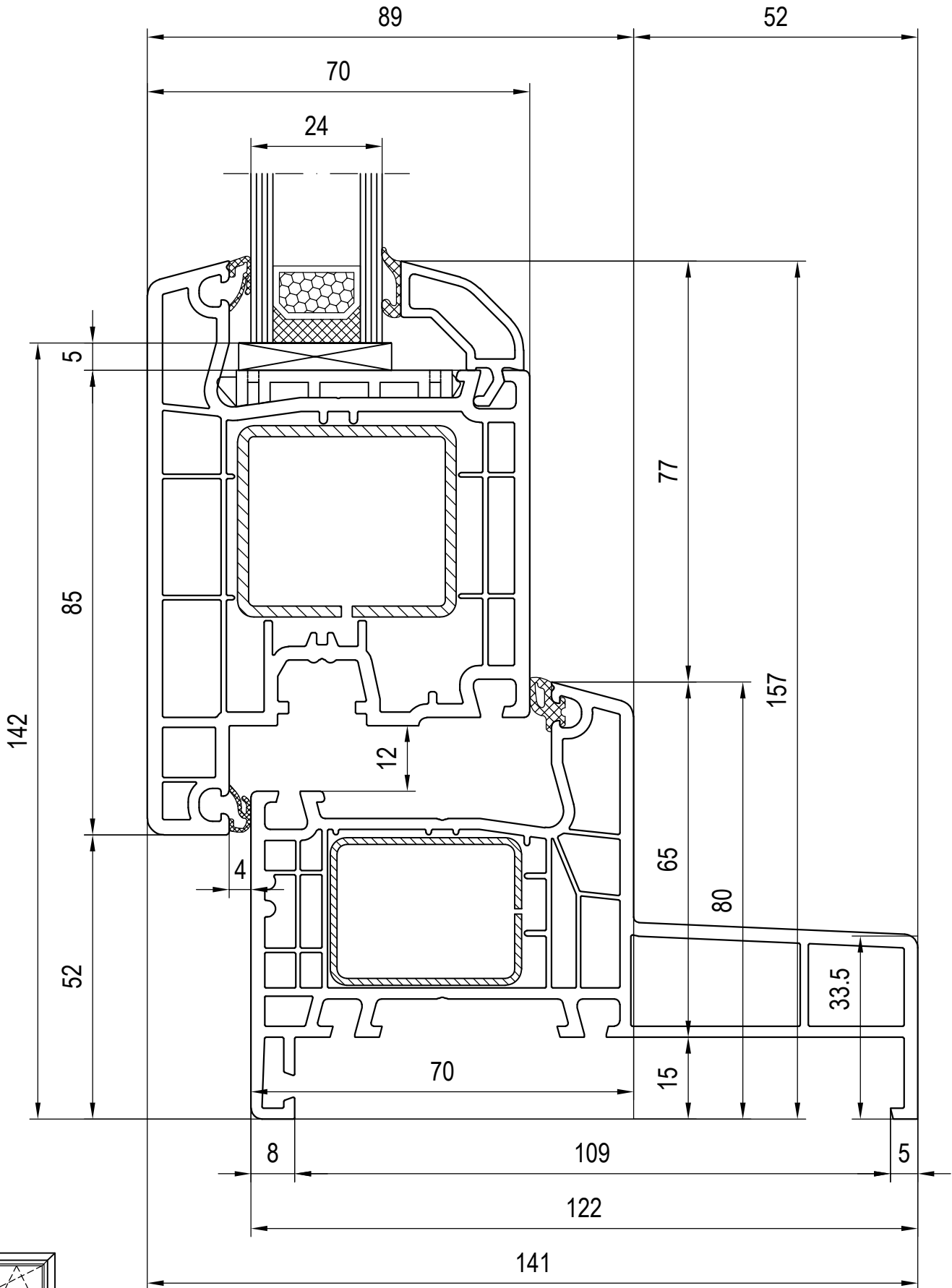


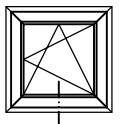
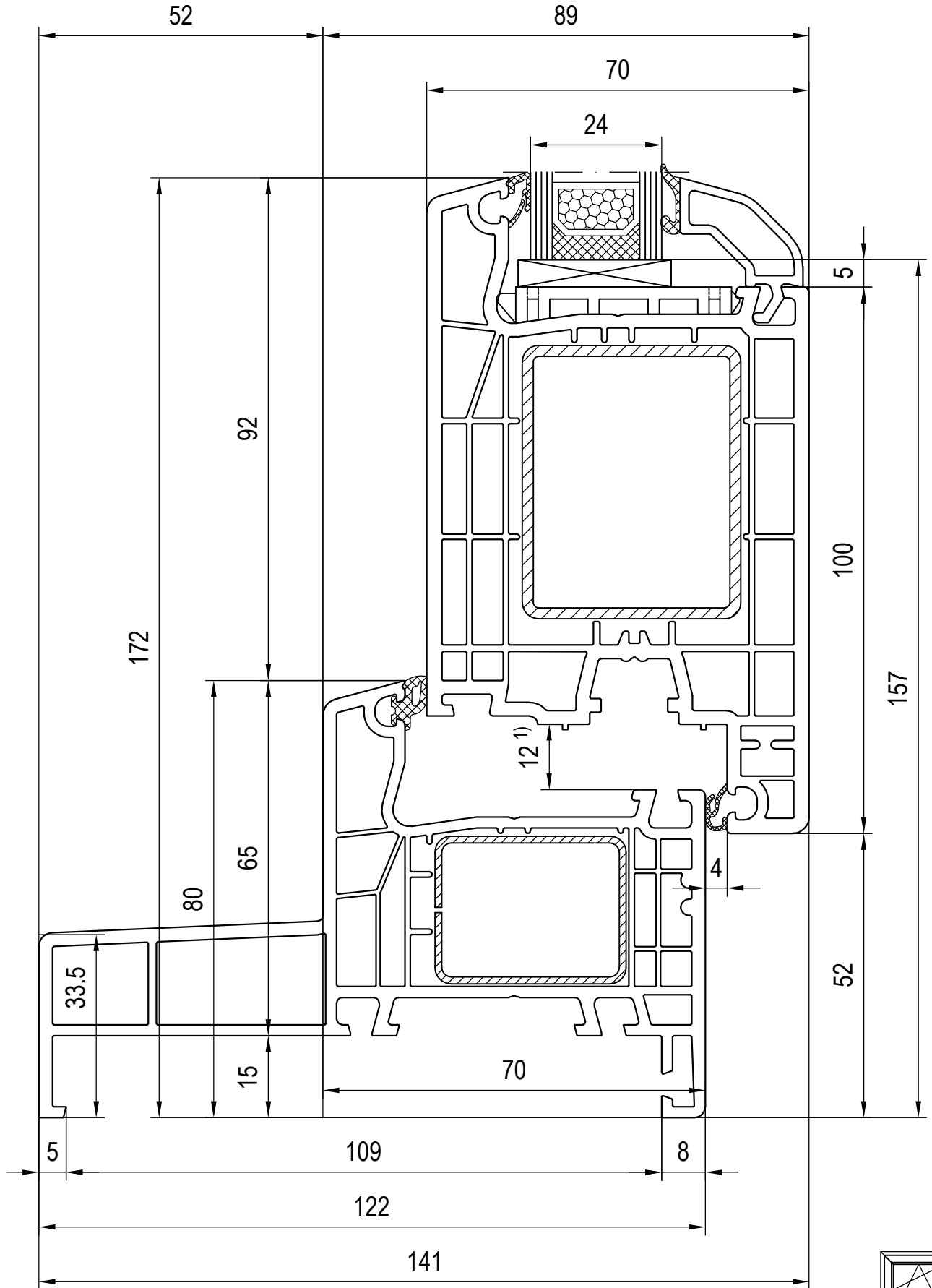












1) Rebate clearance of main entrance door on left and right side = 13 mm

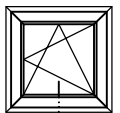
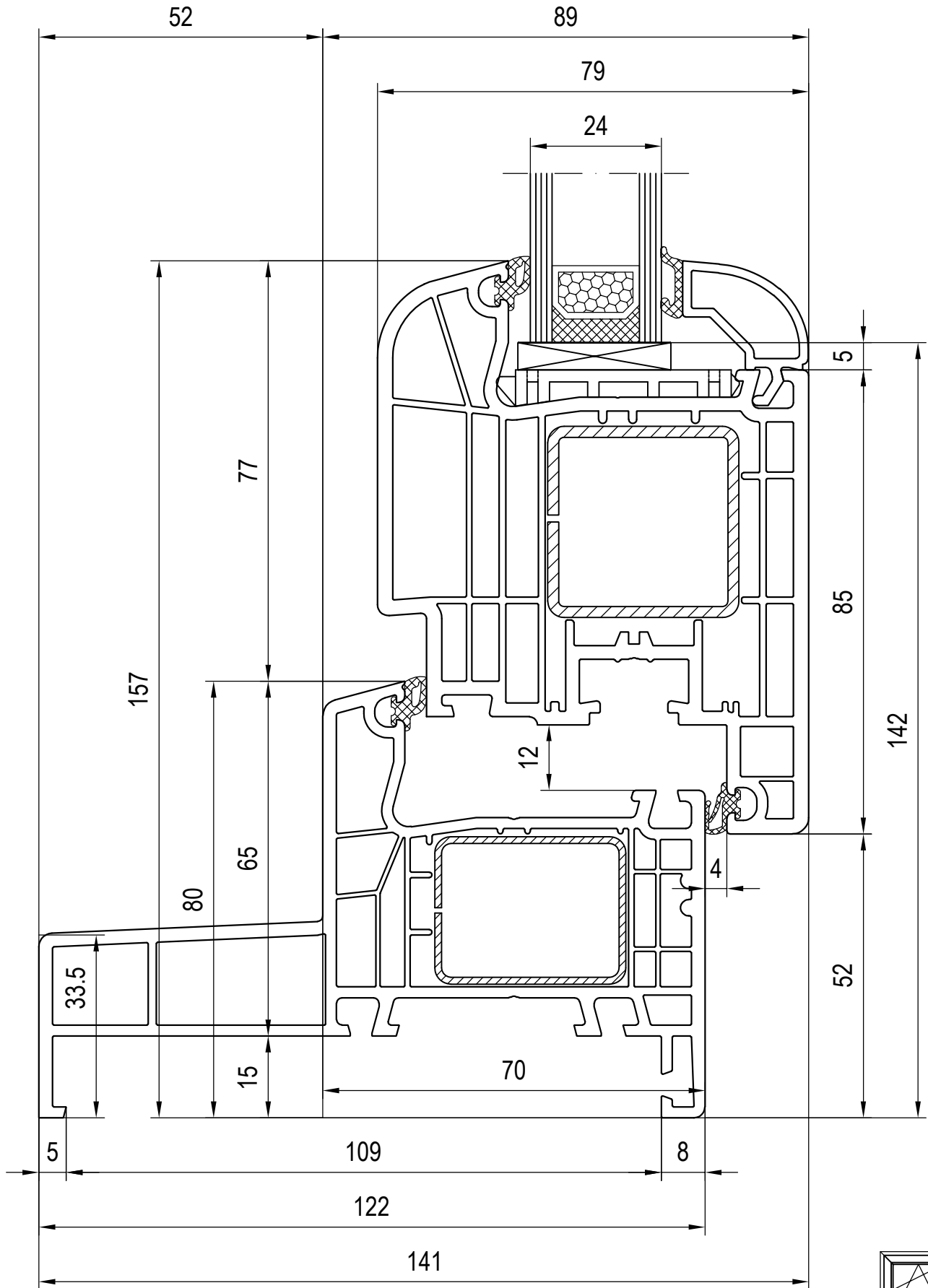
Scale 1:1

03\_D\_01\_4\*

en May be subject to change and errors excepted!

**Combinations: frame - sash**  
**120846/120876 Glazing bead**

**Frame 140x16**  
**Sash 140x33**



Scale 1:1

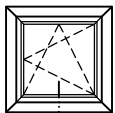
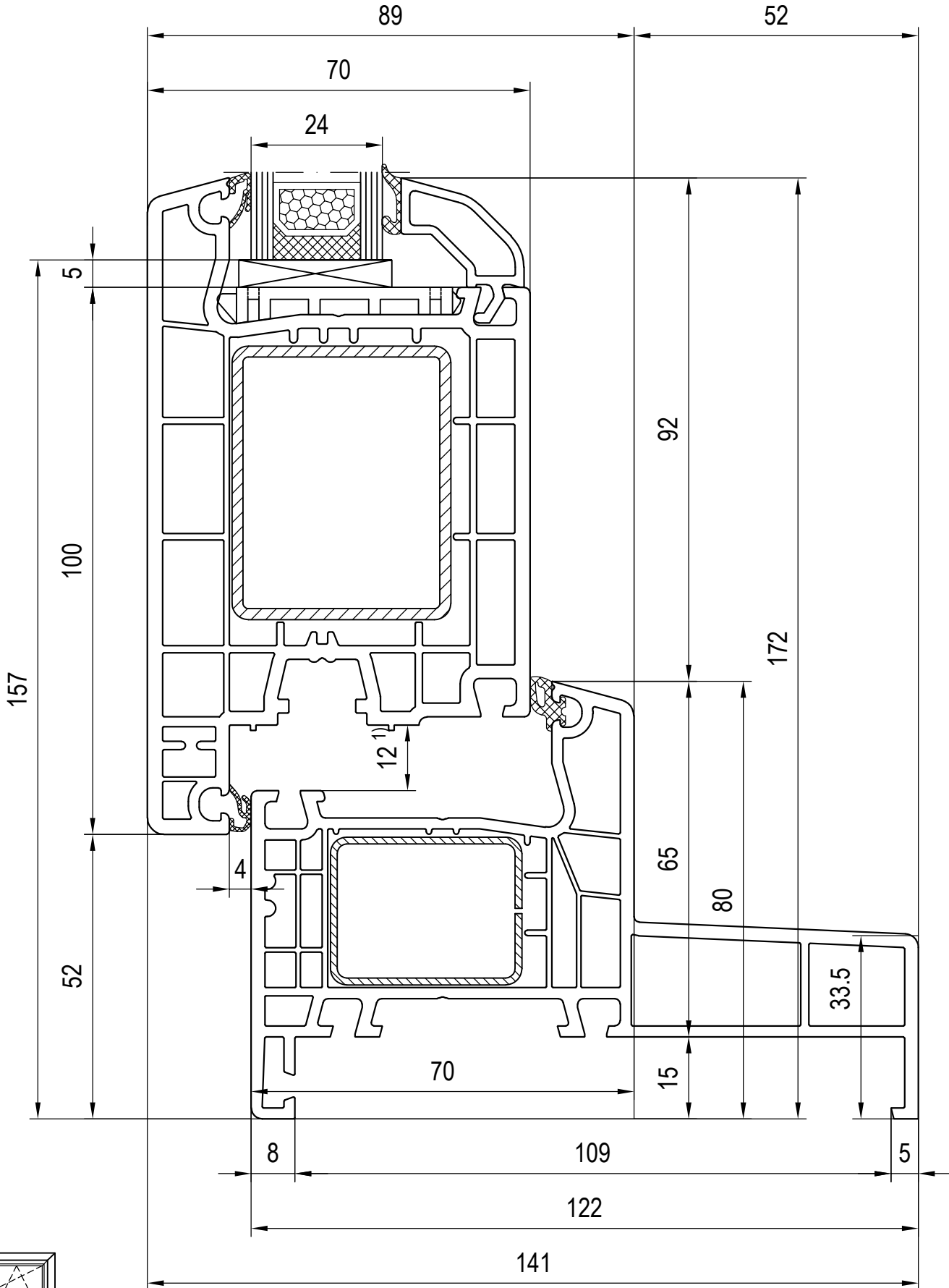
03\_D\_01\_4\*

en May be subject to change and errors excepted!

Combinations: frame - sash  
120850/120880 Glazing bead

Frame 140x16  
Sash 140x34





1) Rebate clearance of main entrance door on left and right side = 13 mm

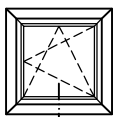
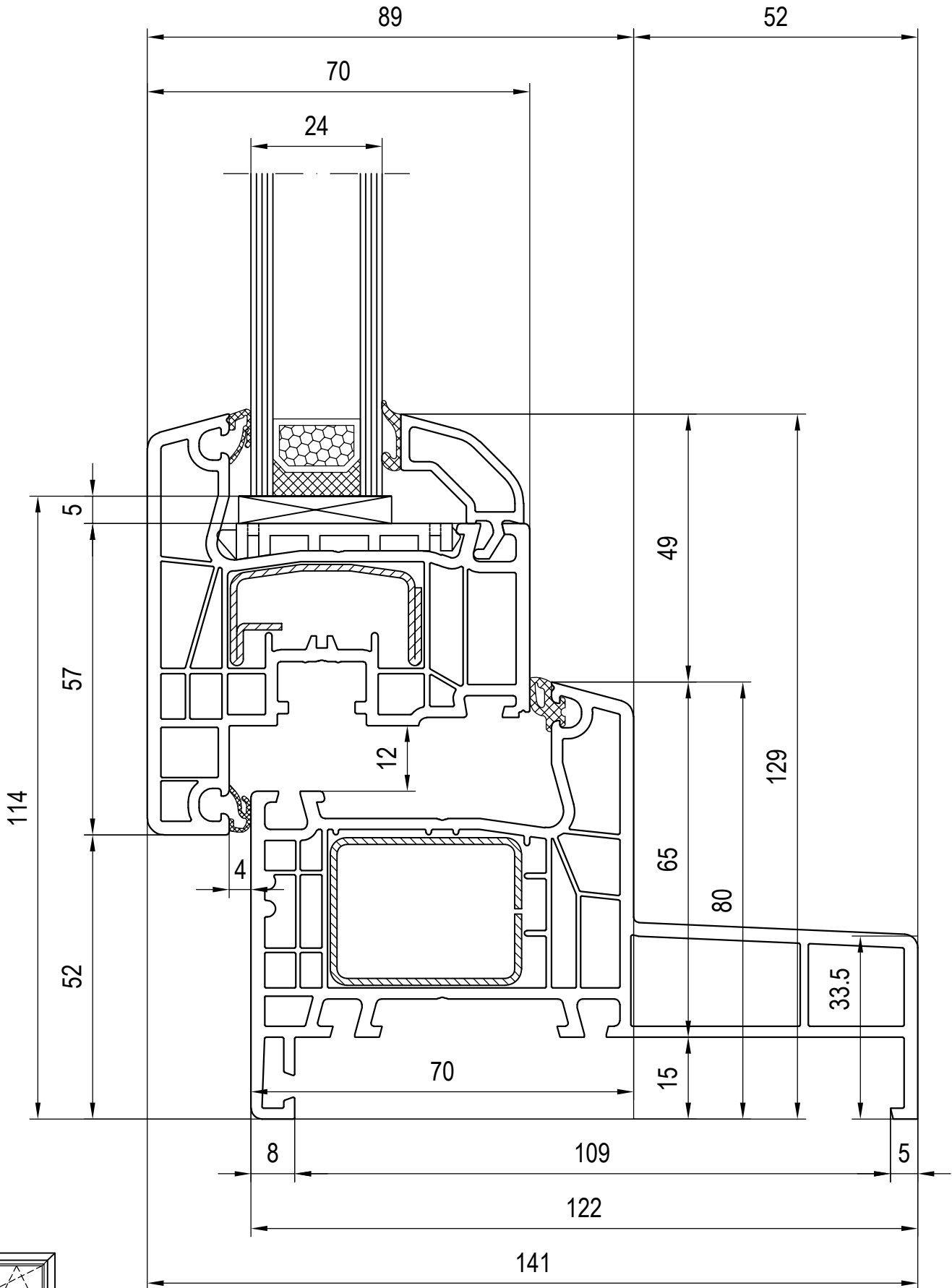
Scale 1:1

03\_D\_01\_4\*

en May be subject to change and errors excepted!

Combinations: frame - sash  
**120846/120876 Glazing bead**

**Frame 140x16**  
**Sash 140x35**



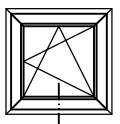
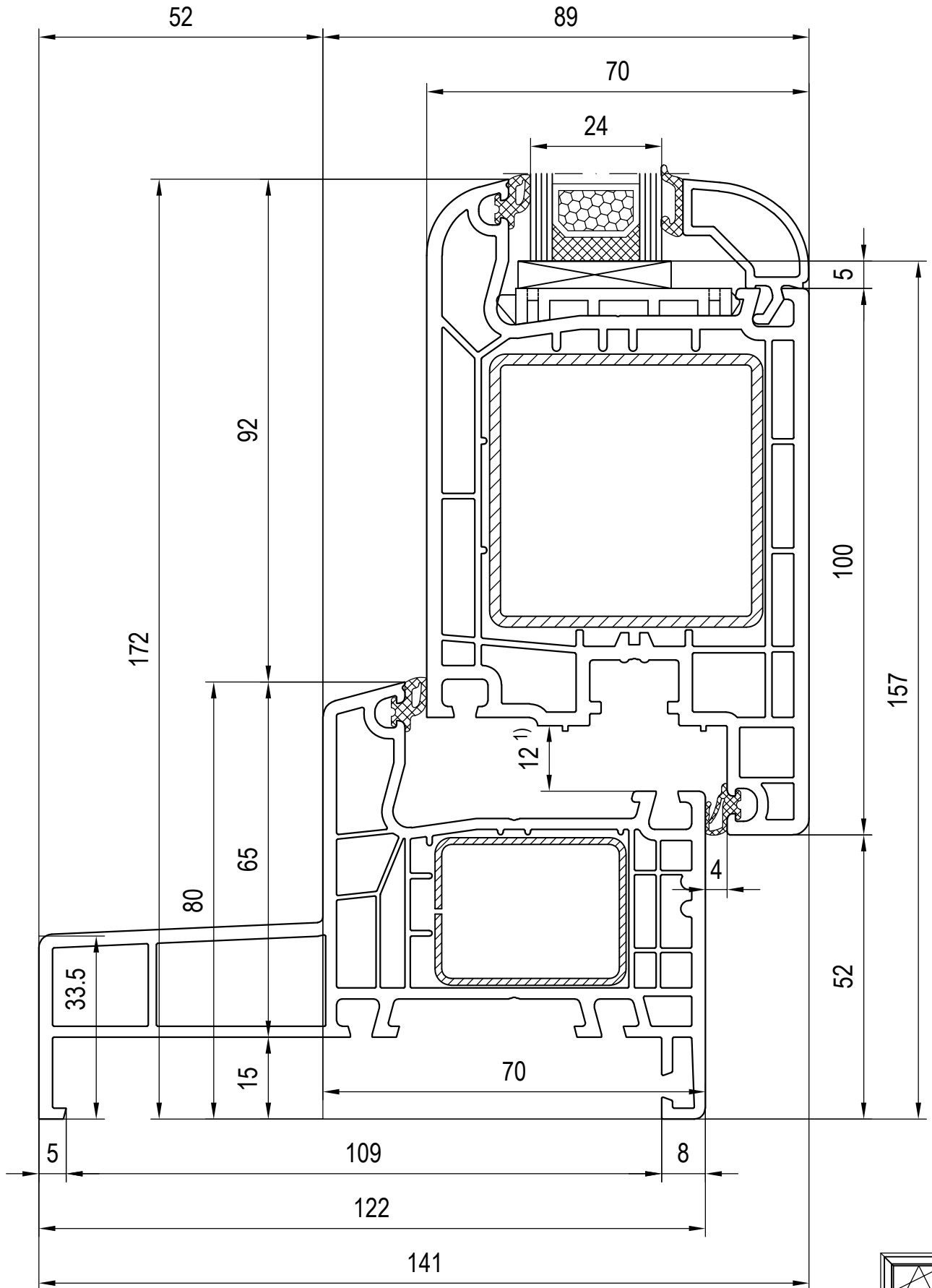
Scale 1:1

03\_D\_01\_4\*

en May be subject to change and errors excepted!

Combinations: frame - sash  
120846/120876 Glazing bead

Frame 140x16  
Sash 140x37



1) Rebate clearance of main entrance door on left and right side = 13 mm

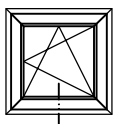
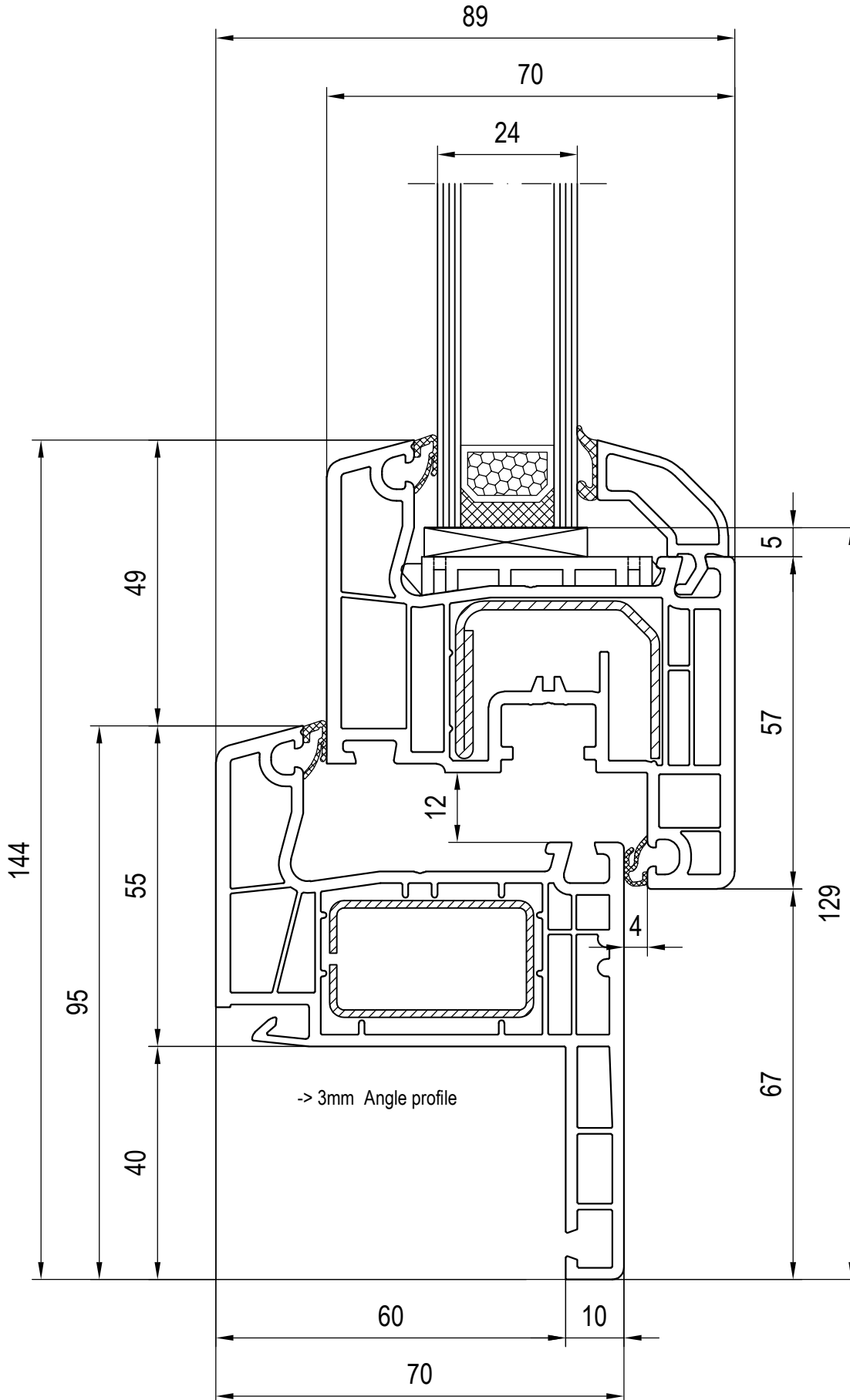
Scale 1:1

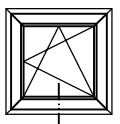
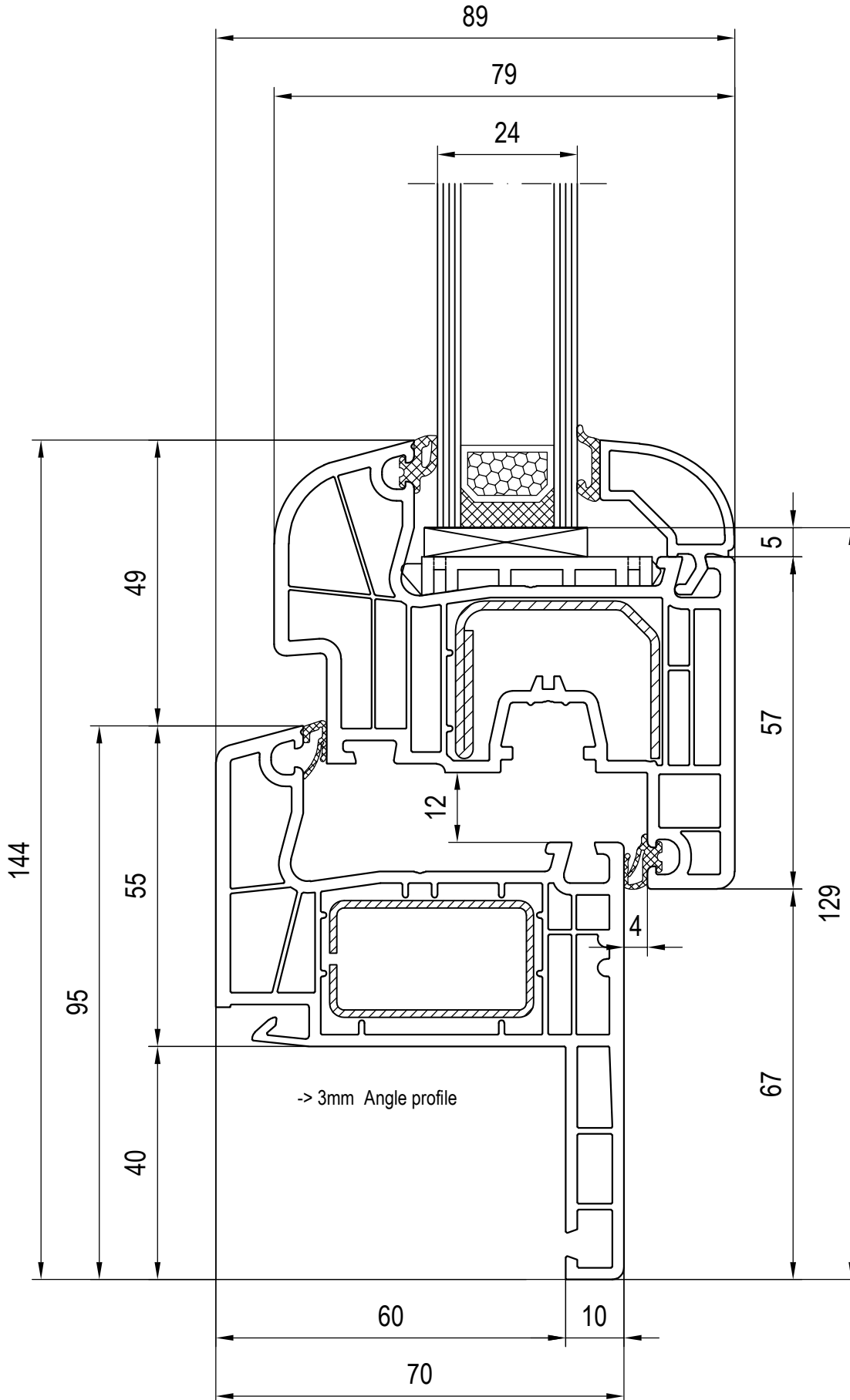
03\_D\_01\_4\*

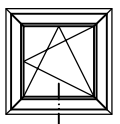
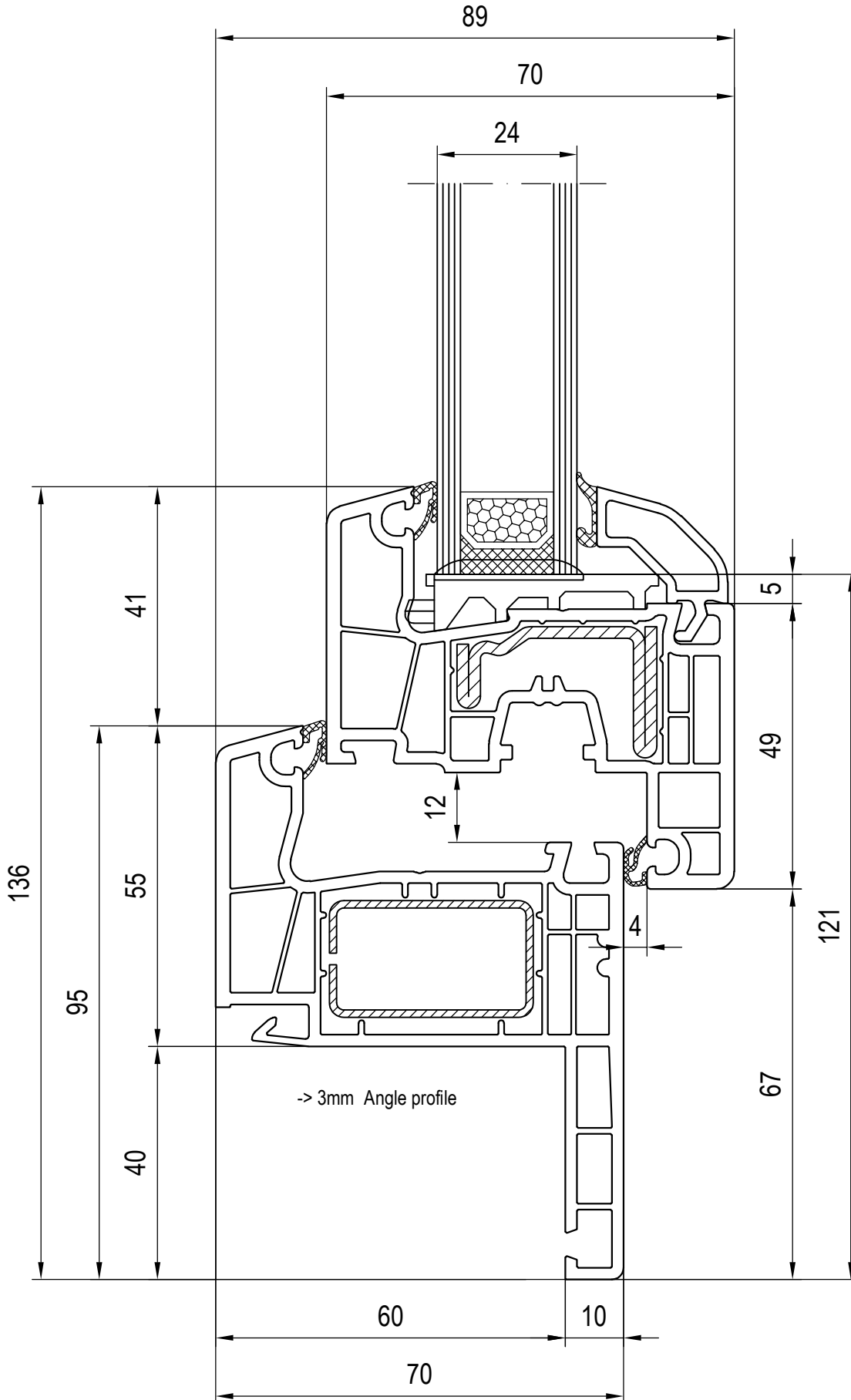
en May be subject to change and errors excepted!

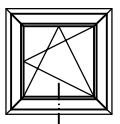
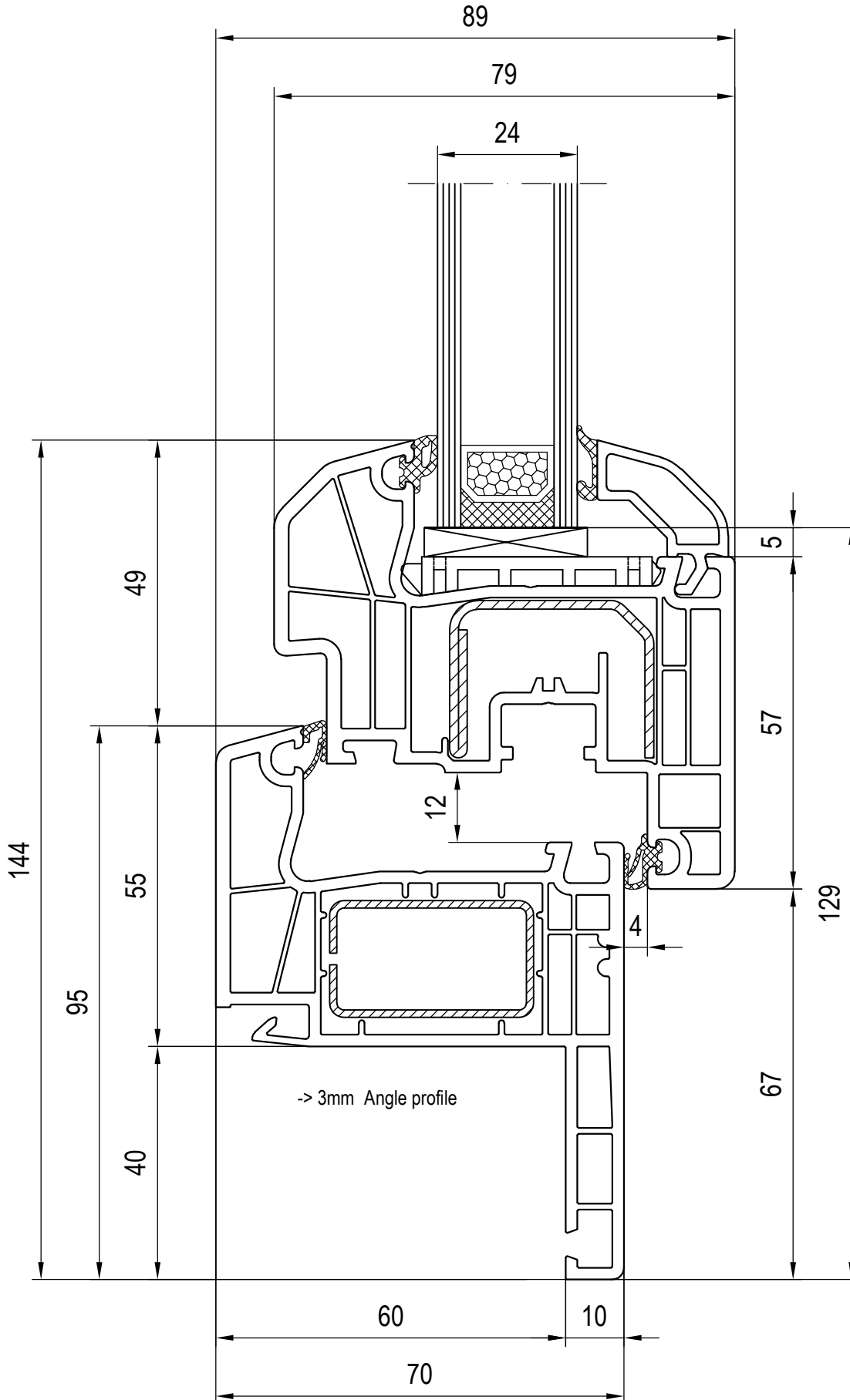
Combinations: frame - sash  
120850/120880 Glazing bead

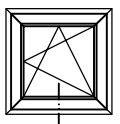
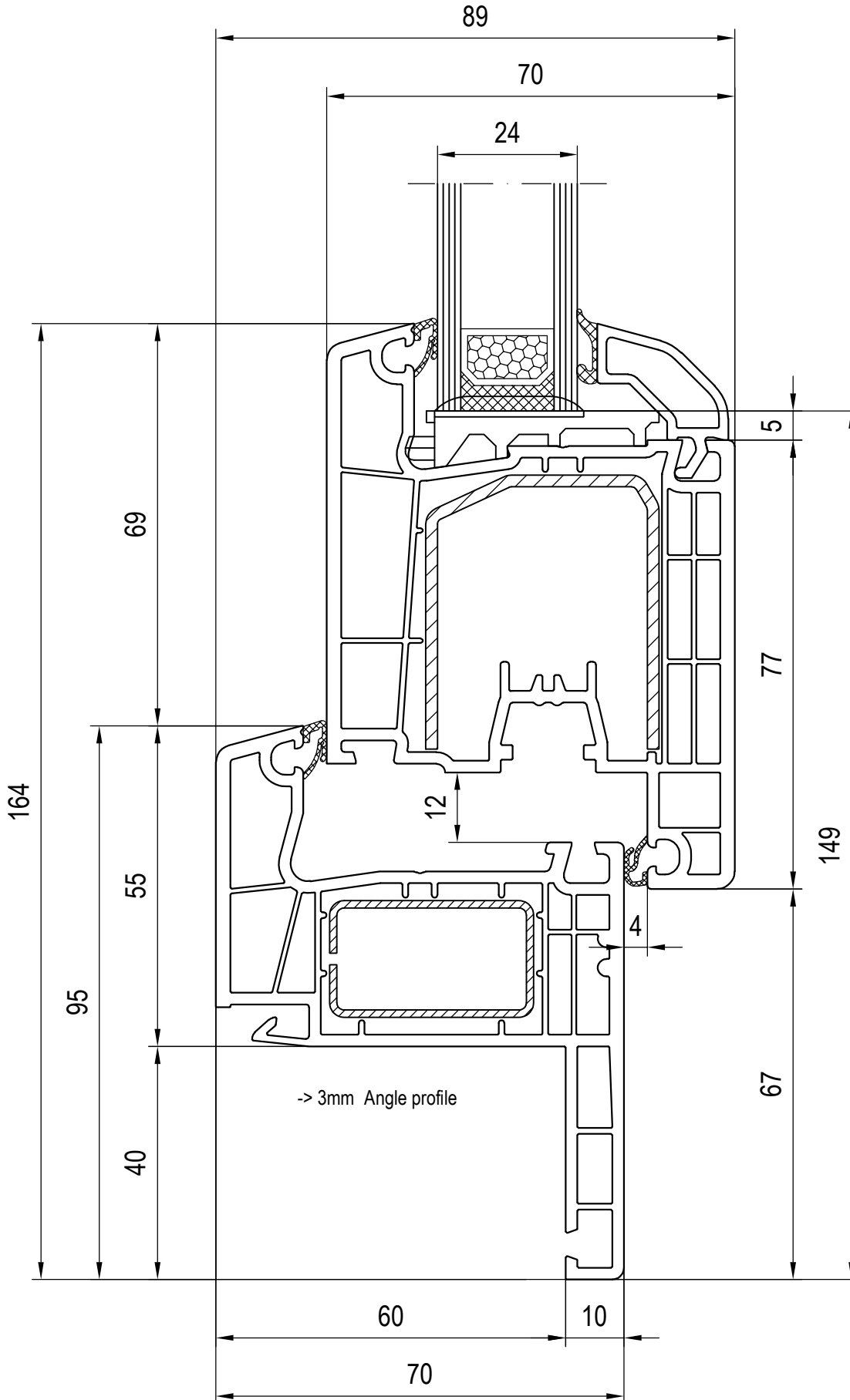
Frame 140x16  
Sash 140x38



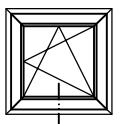
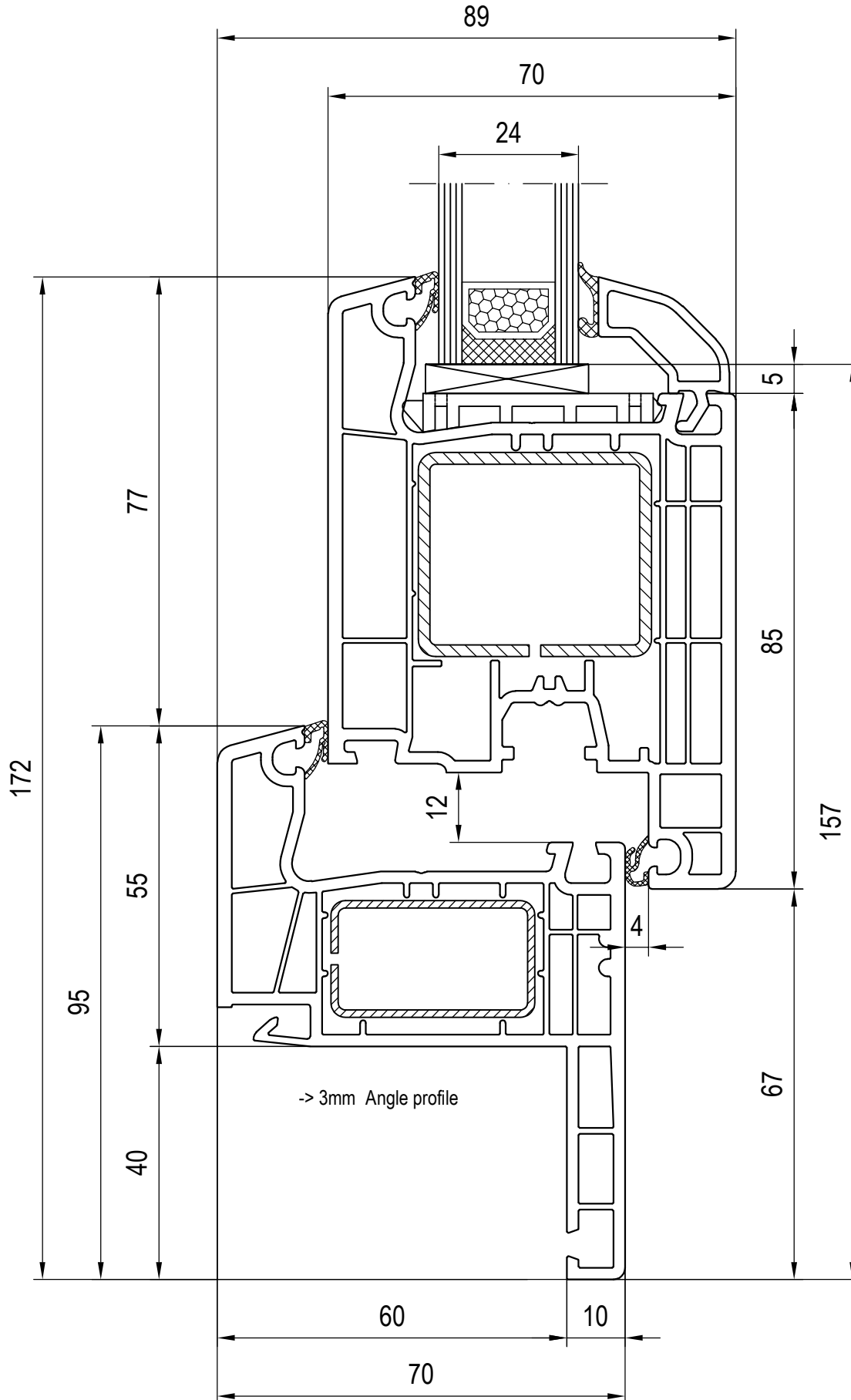


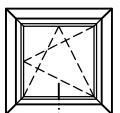
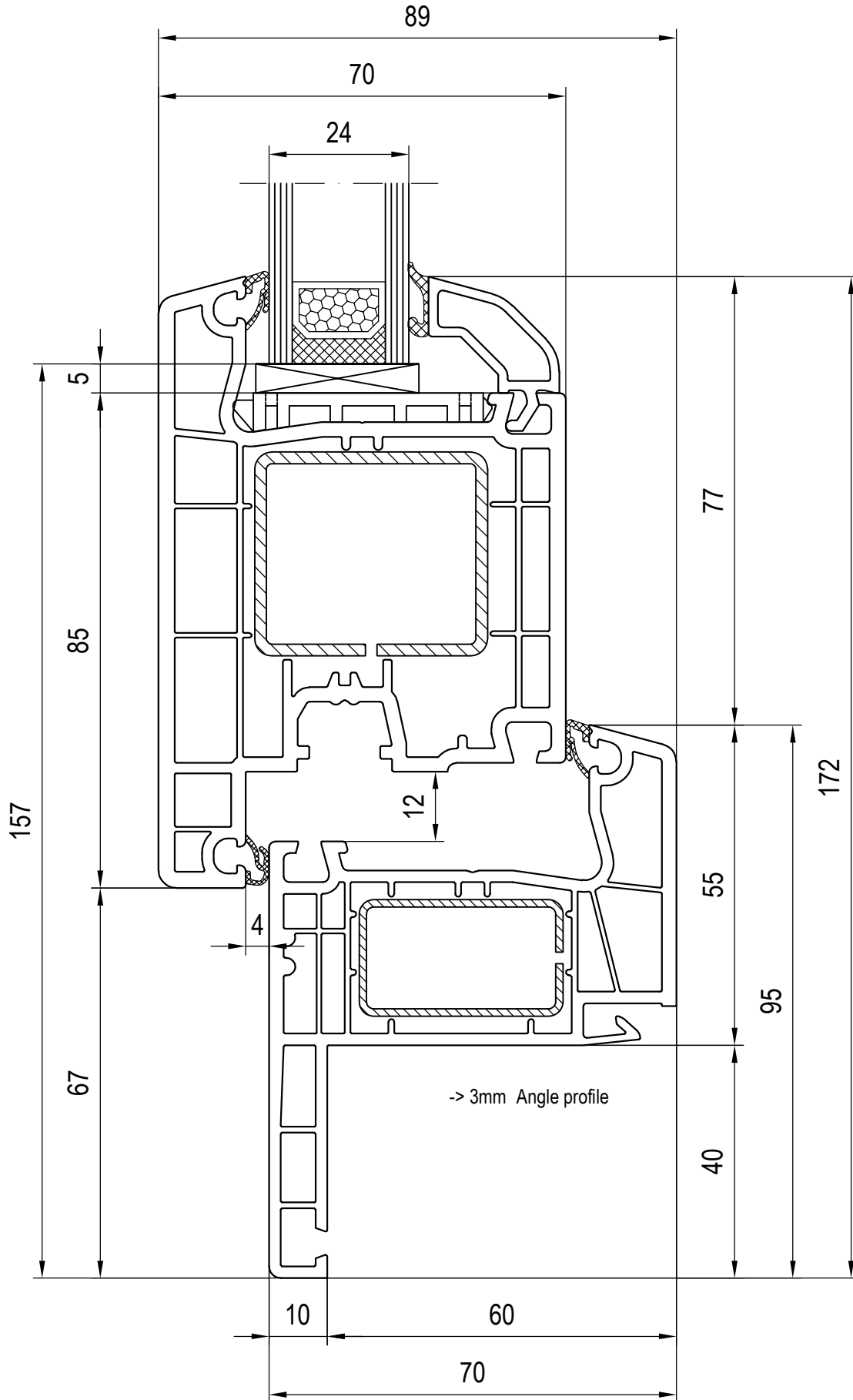












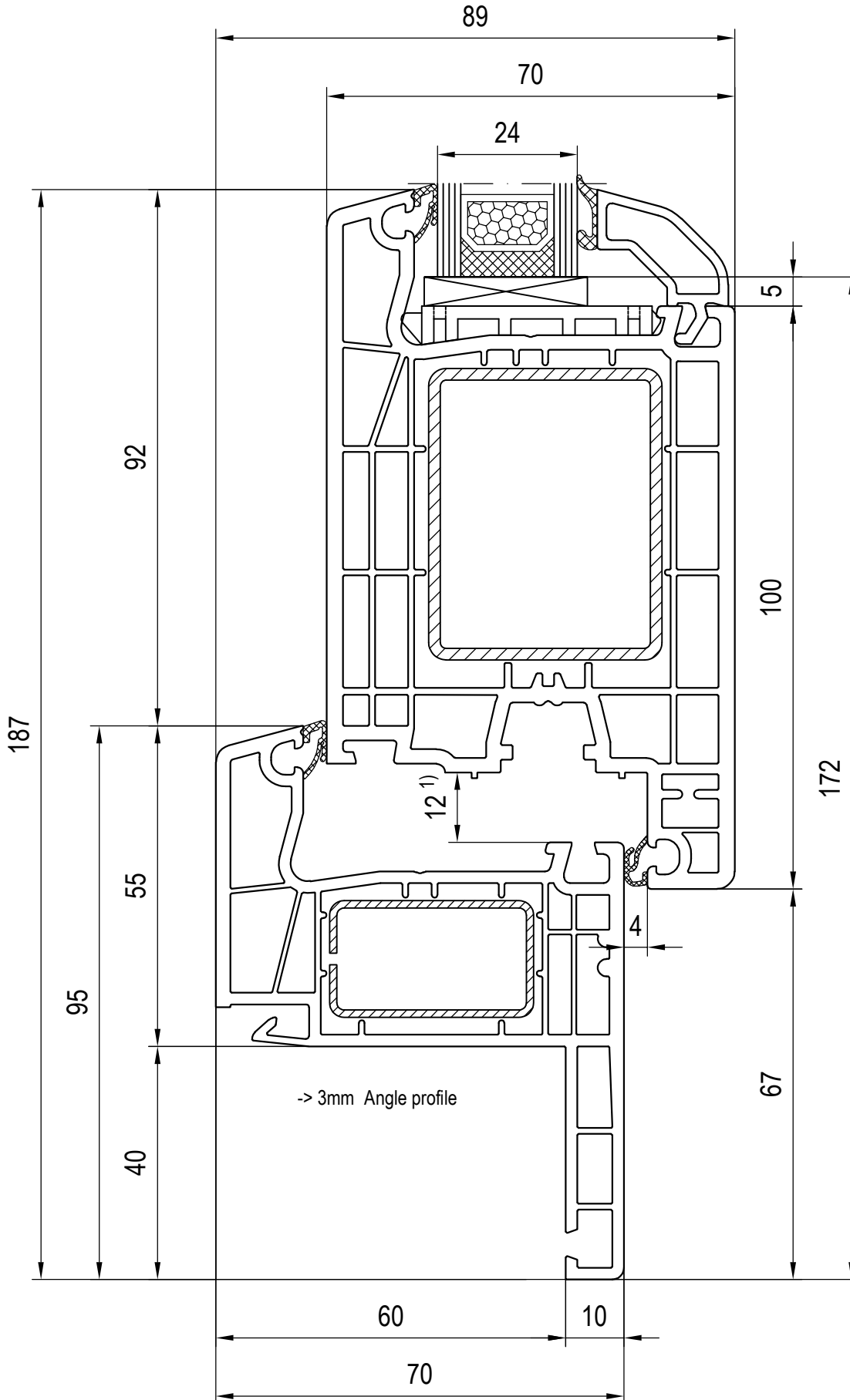
Scale 1:1

03\_D\_01\_4\*

en May be subject to change and errors excepted!

Combinations: frame - sash  
120846/120876 Glazing bead

Frame 140x17  
Sash 140x31



1) Rebate clearance of main entrance door on left and right side = 13 mm

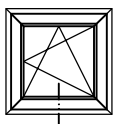
Scale 1:1

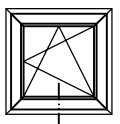
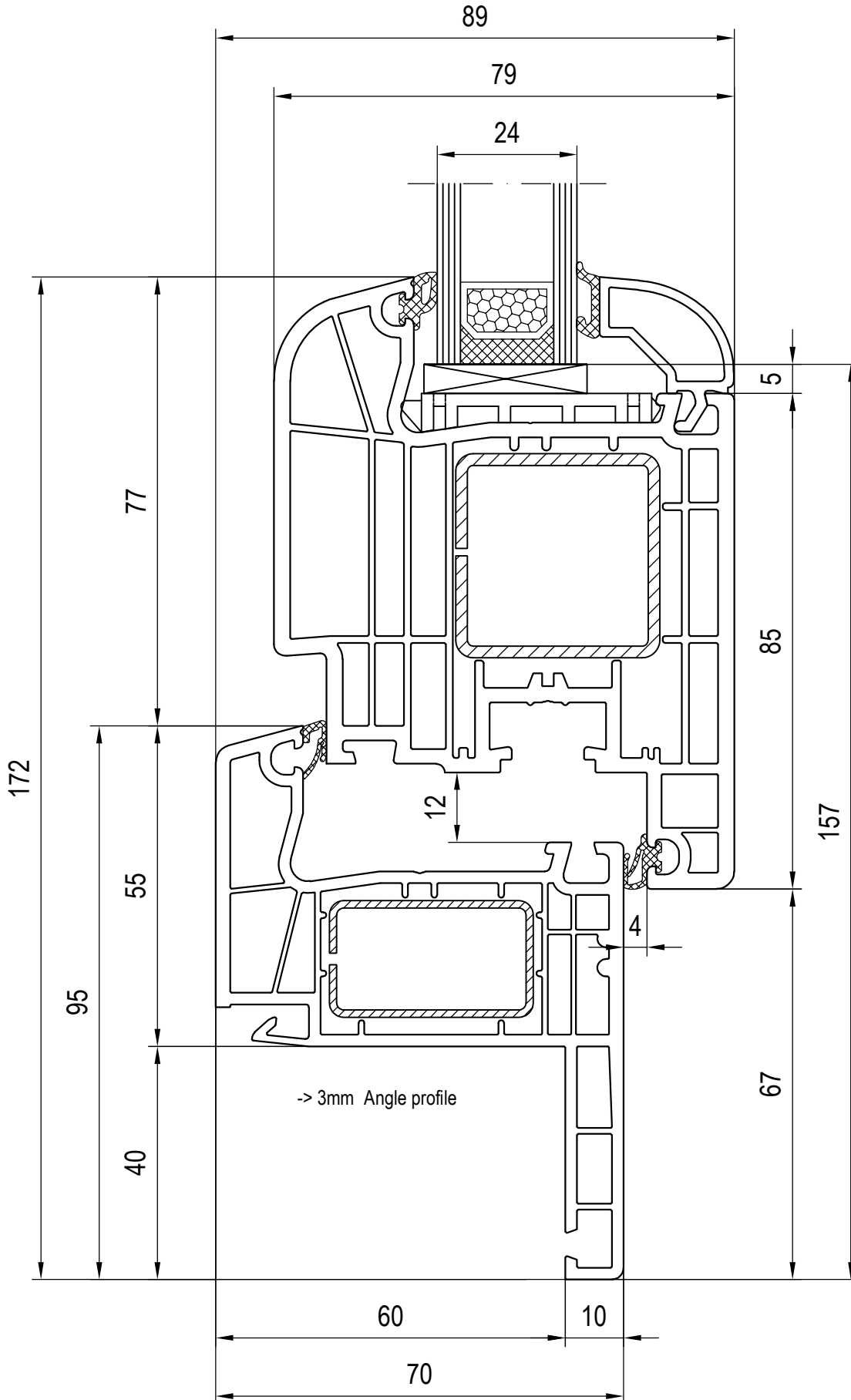
03\_D\_01\_4\*

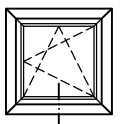
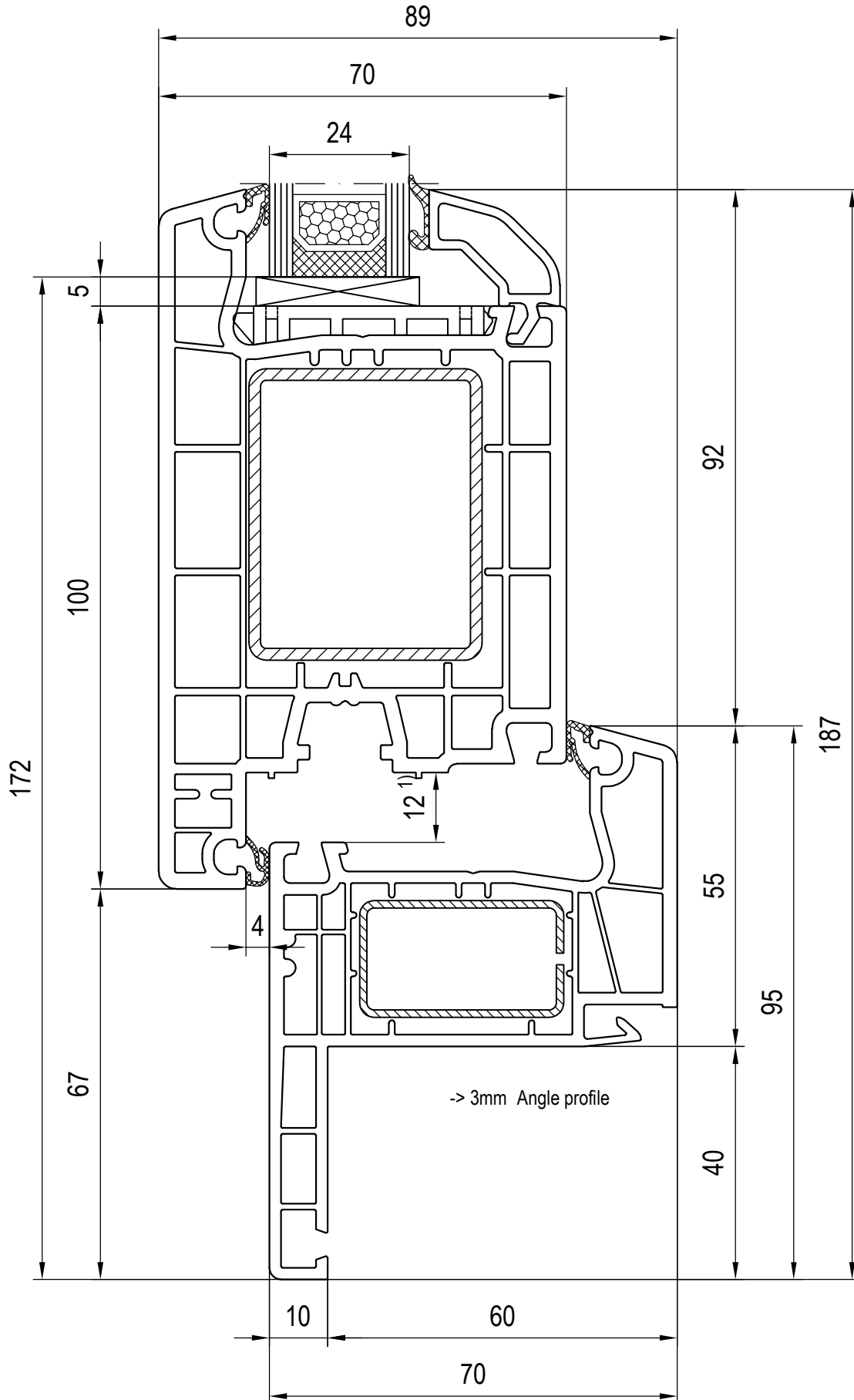
en May be subject to change and errors excepted!

Combinations: frame - sash  
120846/120876 Glazing bead

Frame 140x17  
Sash 140x33







1) Rebate clearance of main entrance door on left and right side = 13 mm

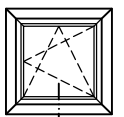
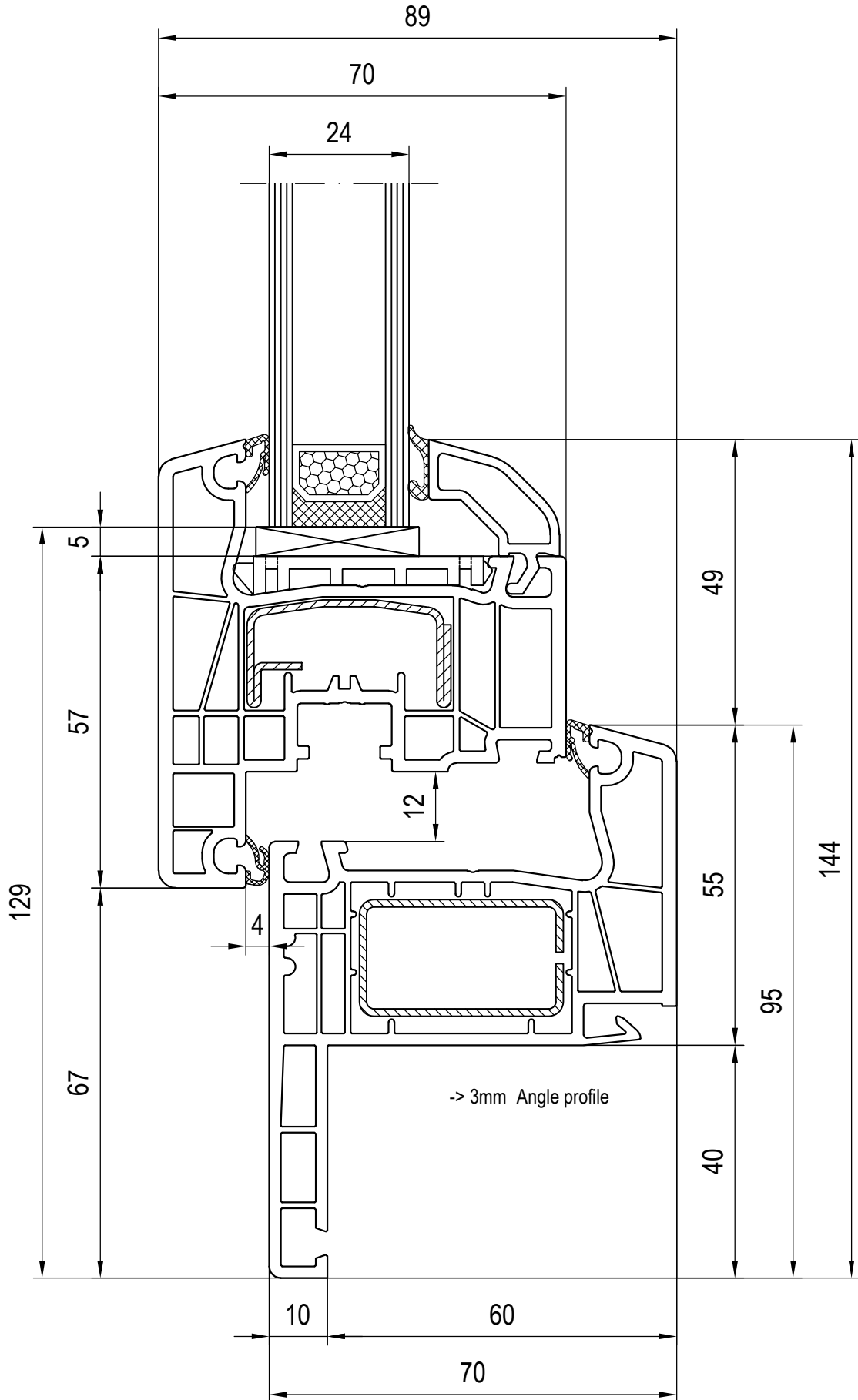
Scale 1:1

03\_D\_01\_4\*

en May be subject to change and errors excepted!

Combinations: frame - sash  
120846/120876 Glazing bead

Frame 140x17  
Sash 140x35



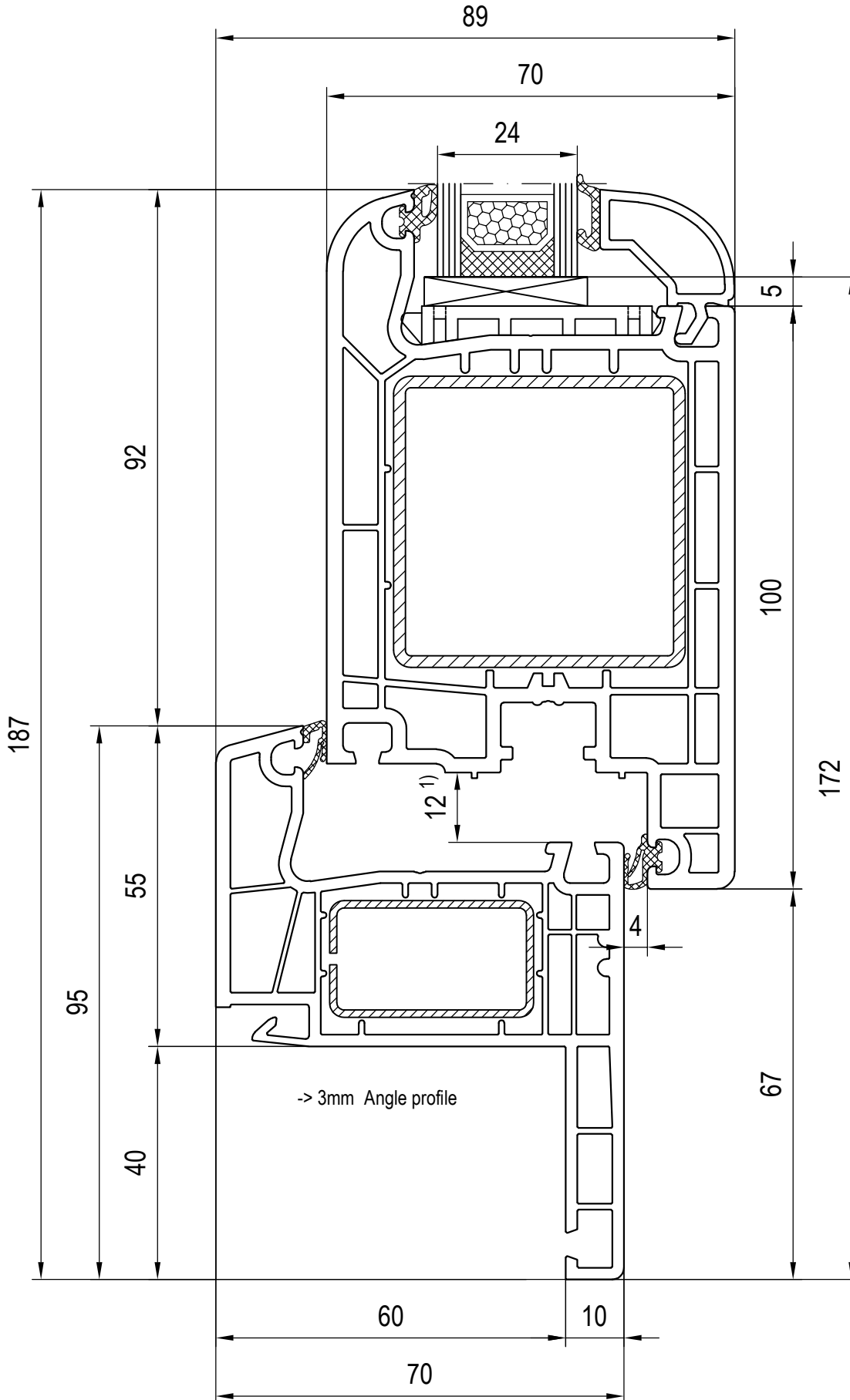
Scale 1:1

03\_D\_01\_4\*

en May be subject to change and errors excepted!

Combinations: frame - sash  
120846/120876 Glazing bead

Frame 140x17  
Sash 140x37



1) Rebate clearance of main entrance door on left and right side = 13 mm

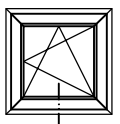
Scale 1:1

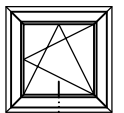
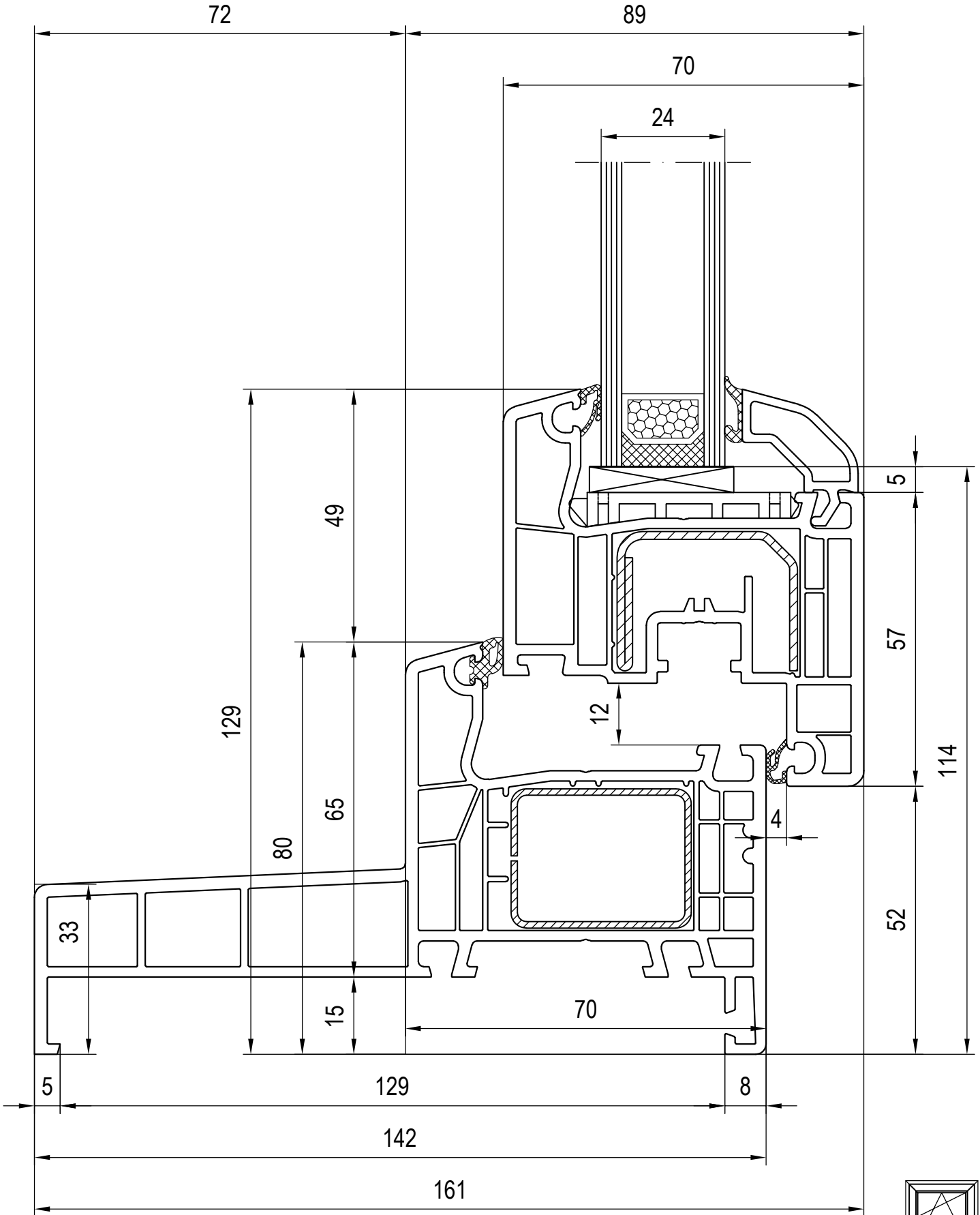
03\_D\_01\_4\*

en May be subject to change and errors excepted!

Combinations: frame - sash  
**120850/120880 Glazing bead**

**Frame 140x17**  
**Sash 140x38**





Scale 1:1

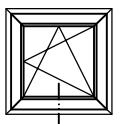
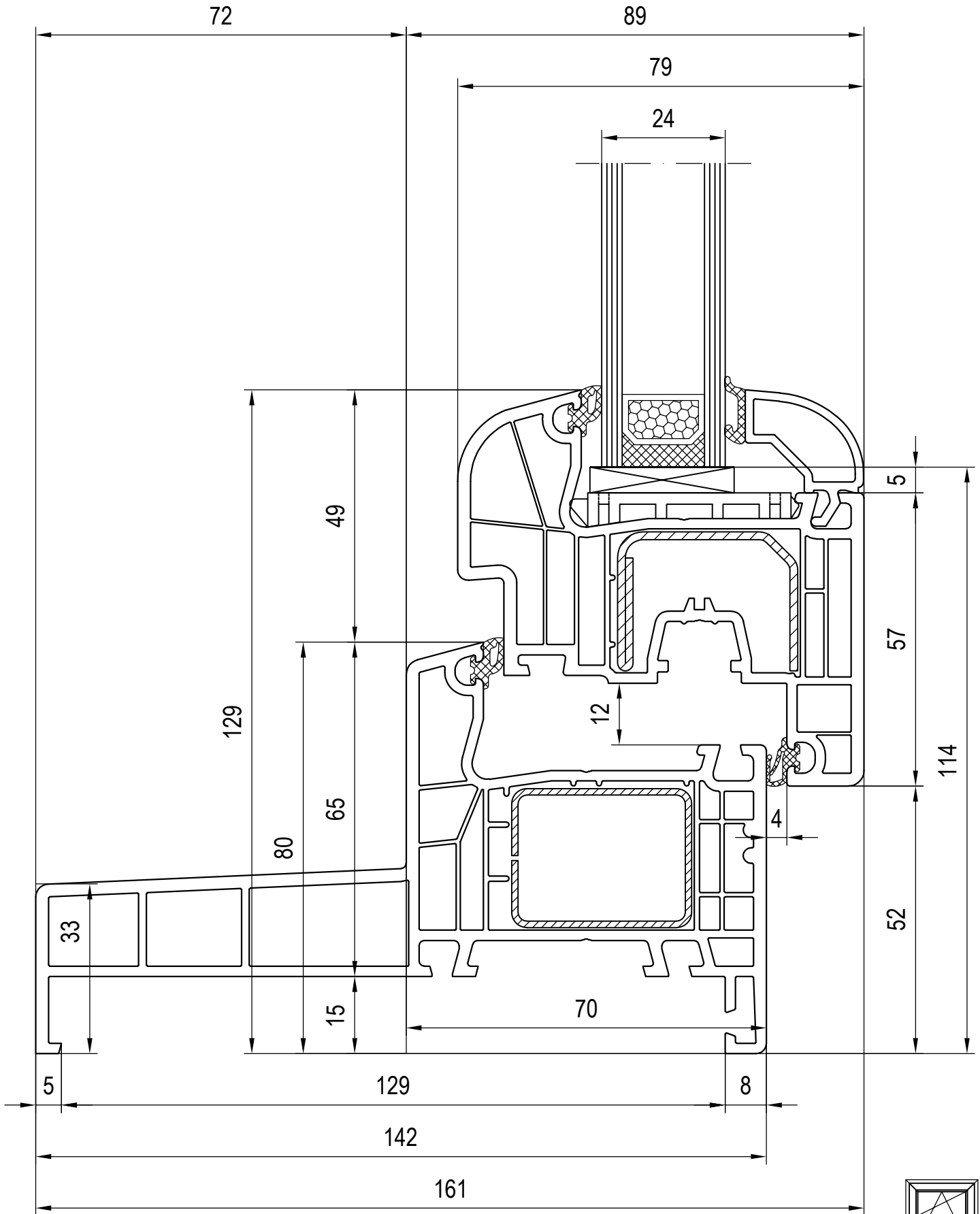
03\_D\_01\_4\*

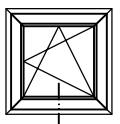
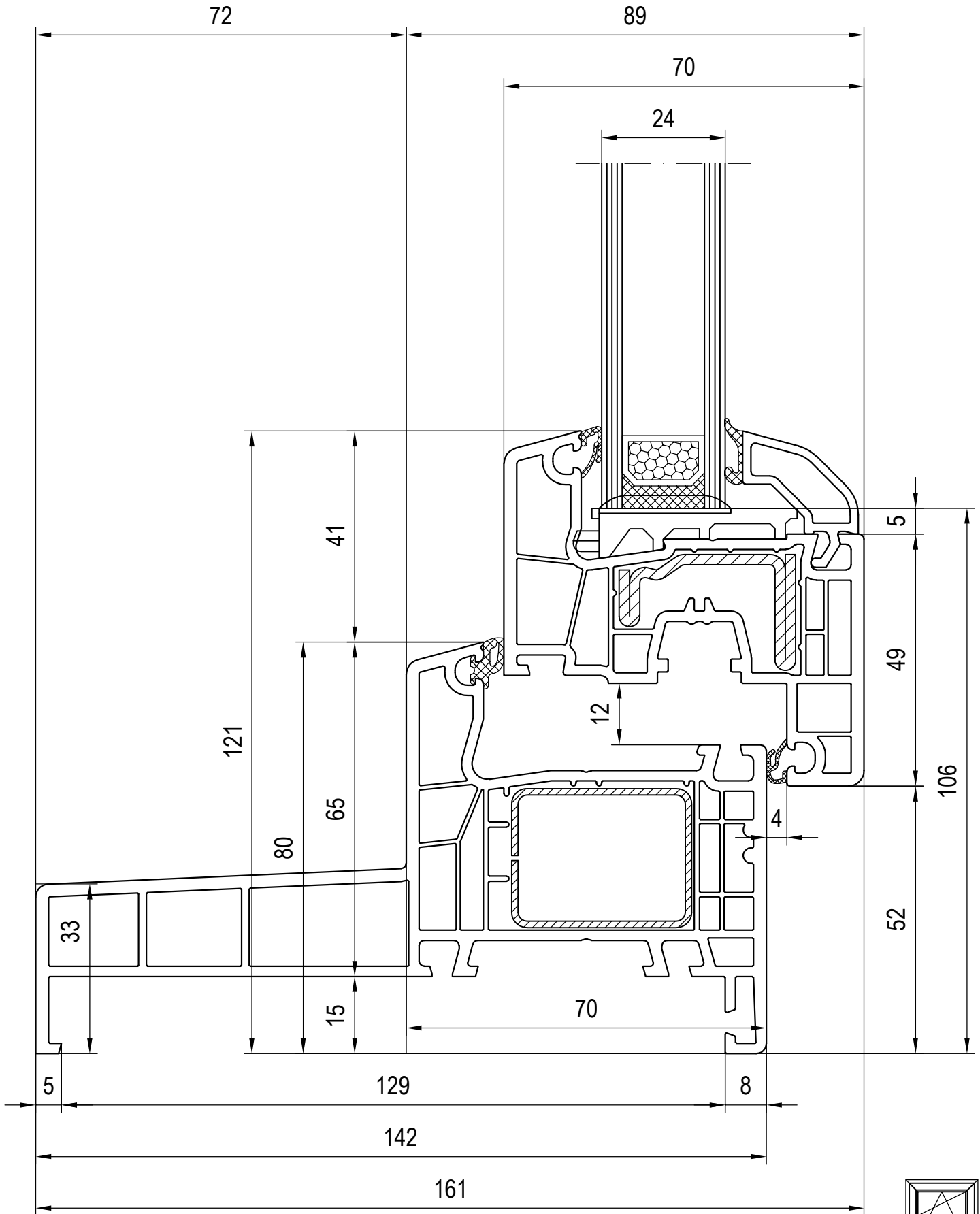
en May be subject to change and errors excepted!

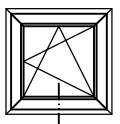
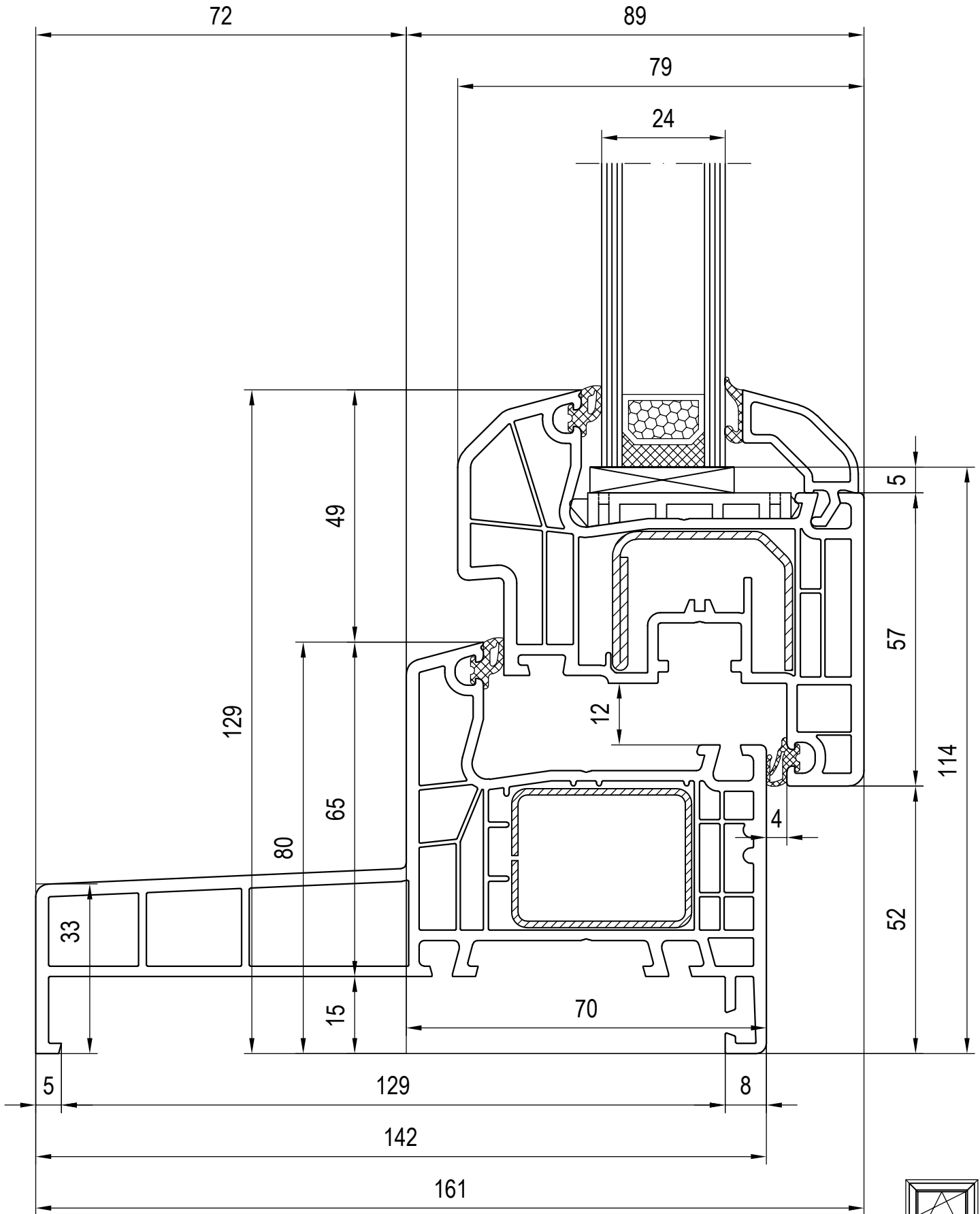
Combinations: frame - sash  
120846/120876 Glazing bead

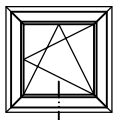
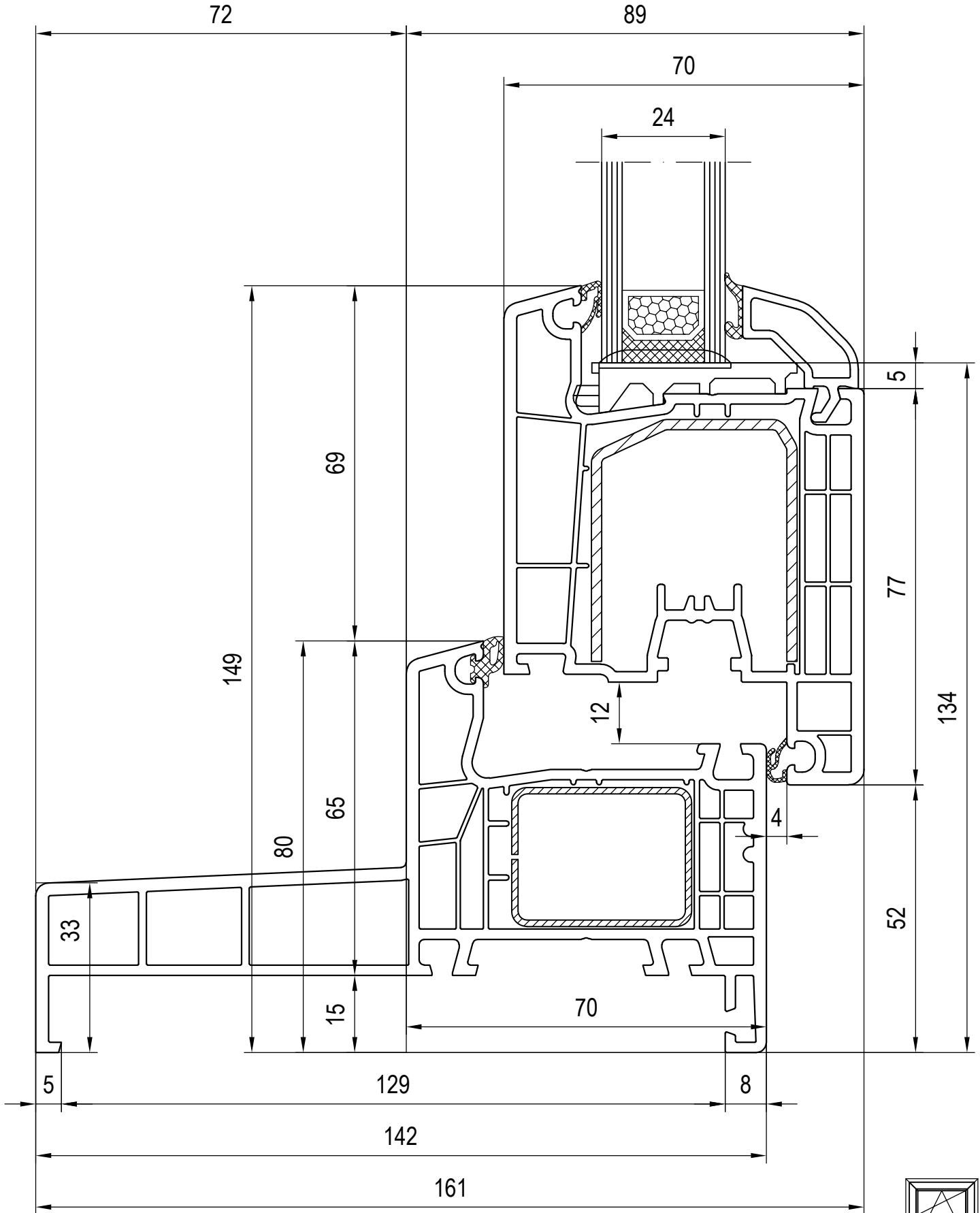
Frame 140x18  
Sash 140x20

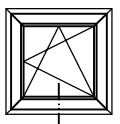
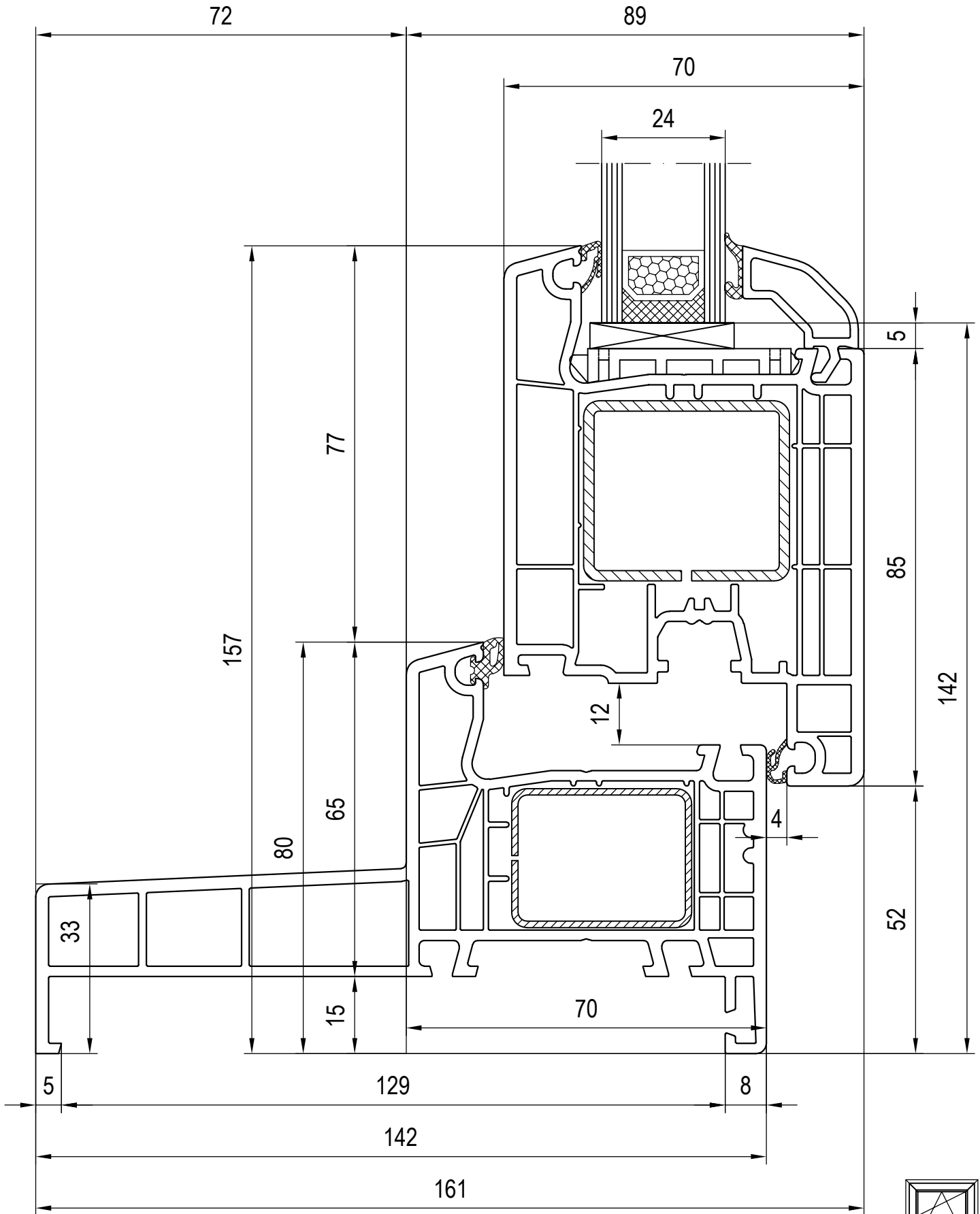


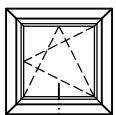
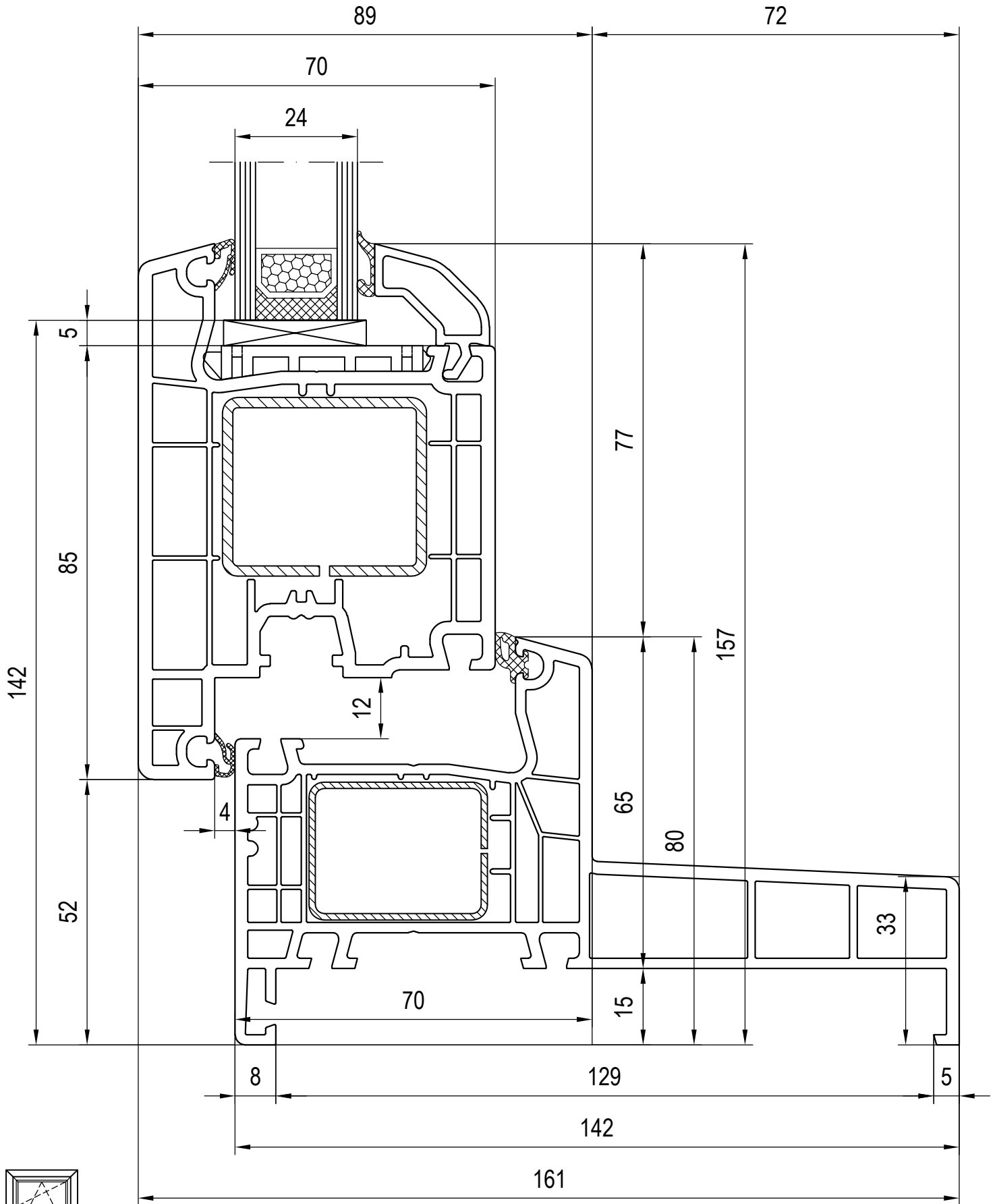


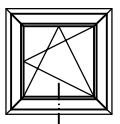
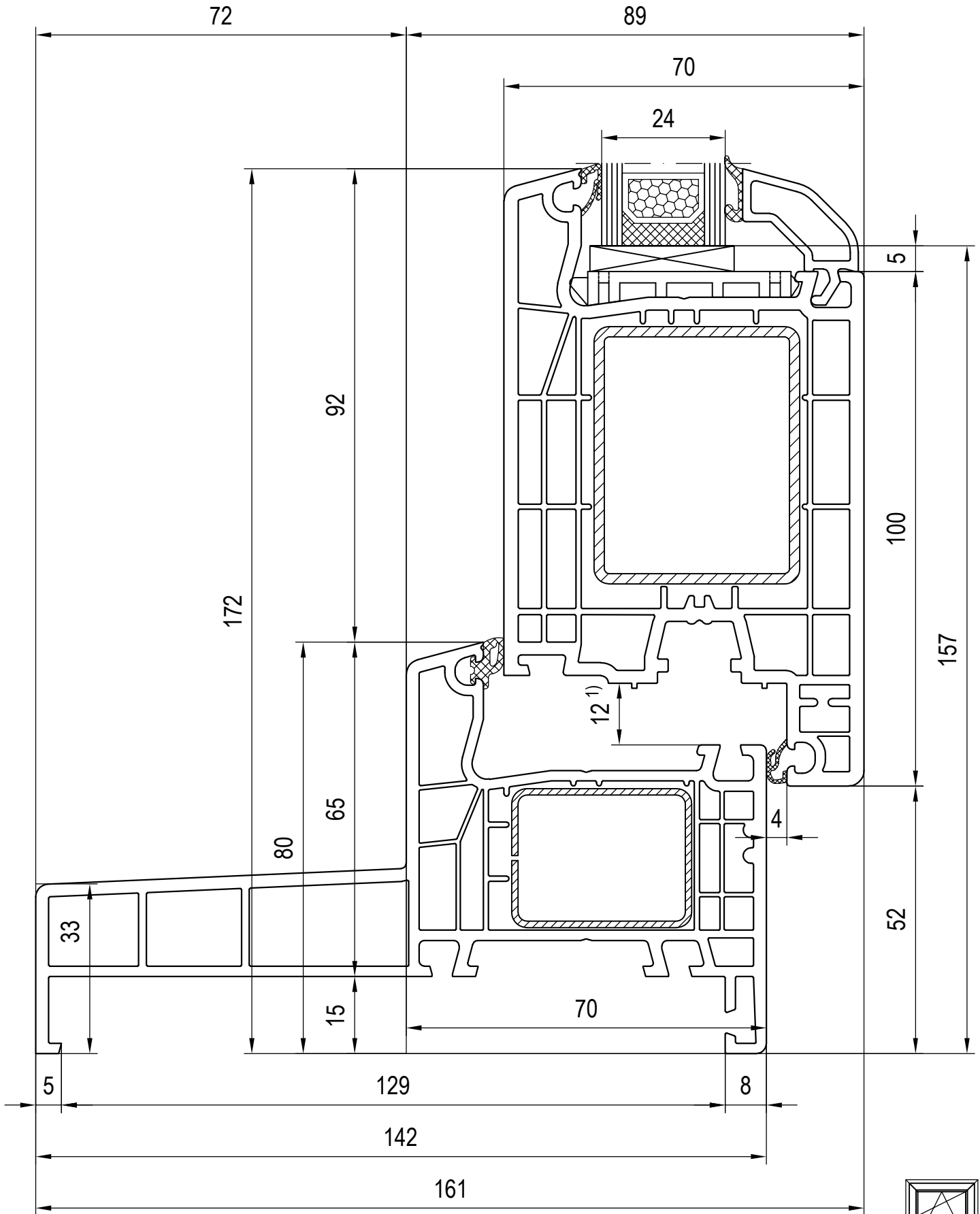












1) Rebate clearance of main entrance door on left and right side = 13 mm

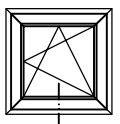
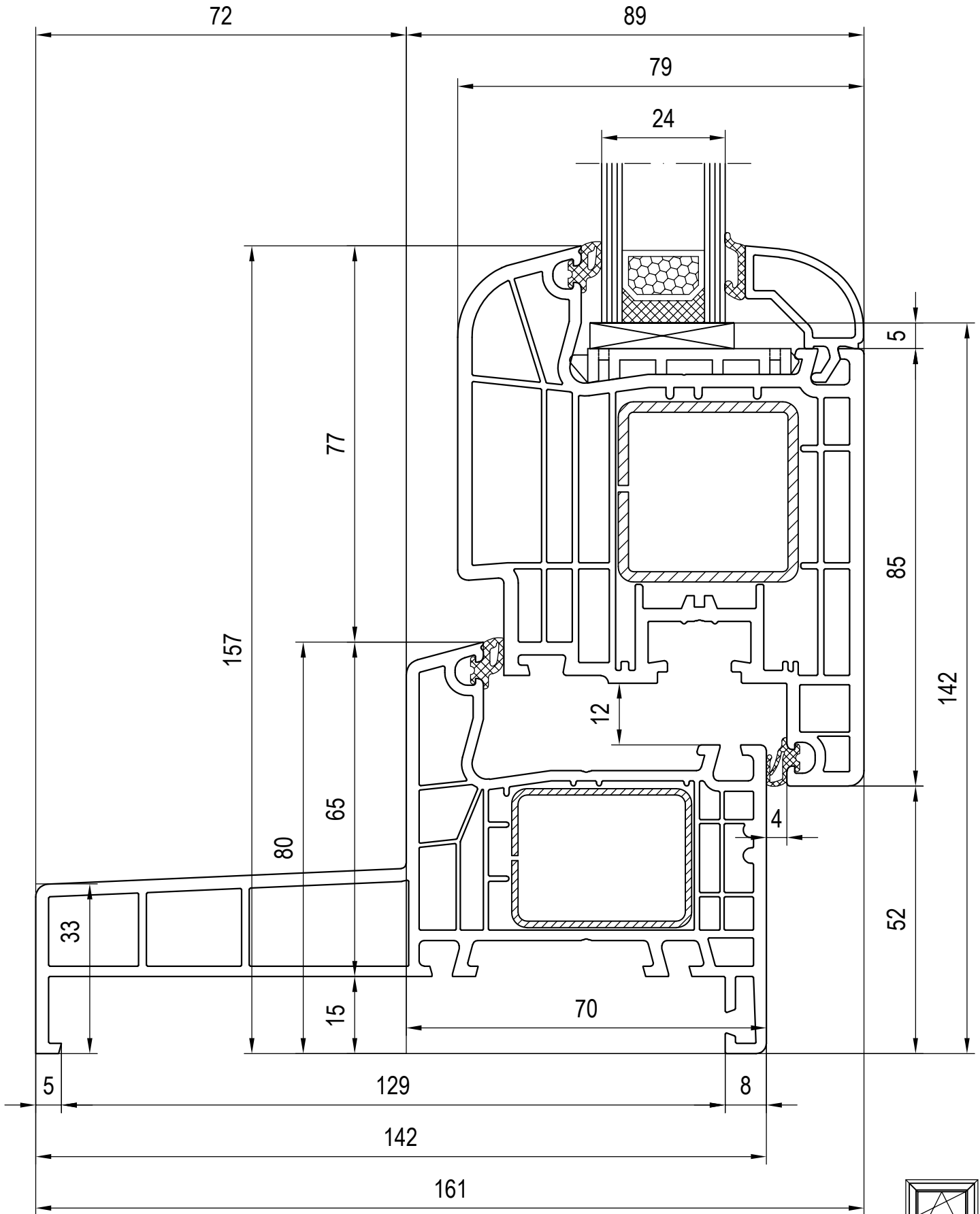
Scale 1:1

03\_D\_01\_4\*

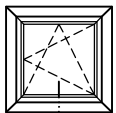
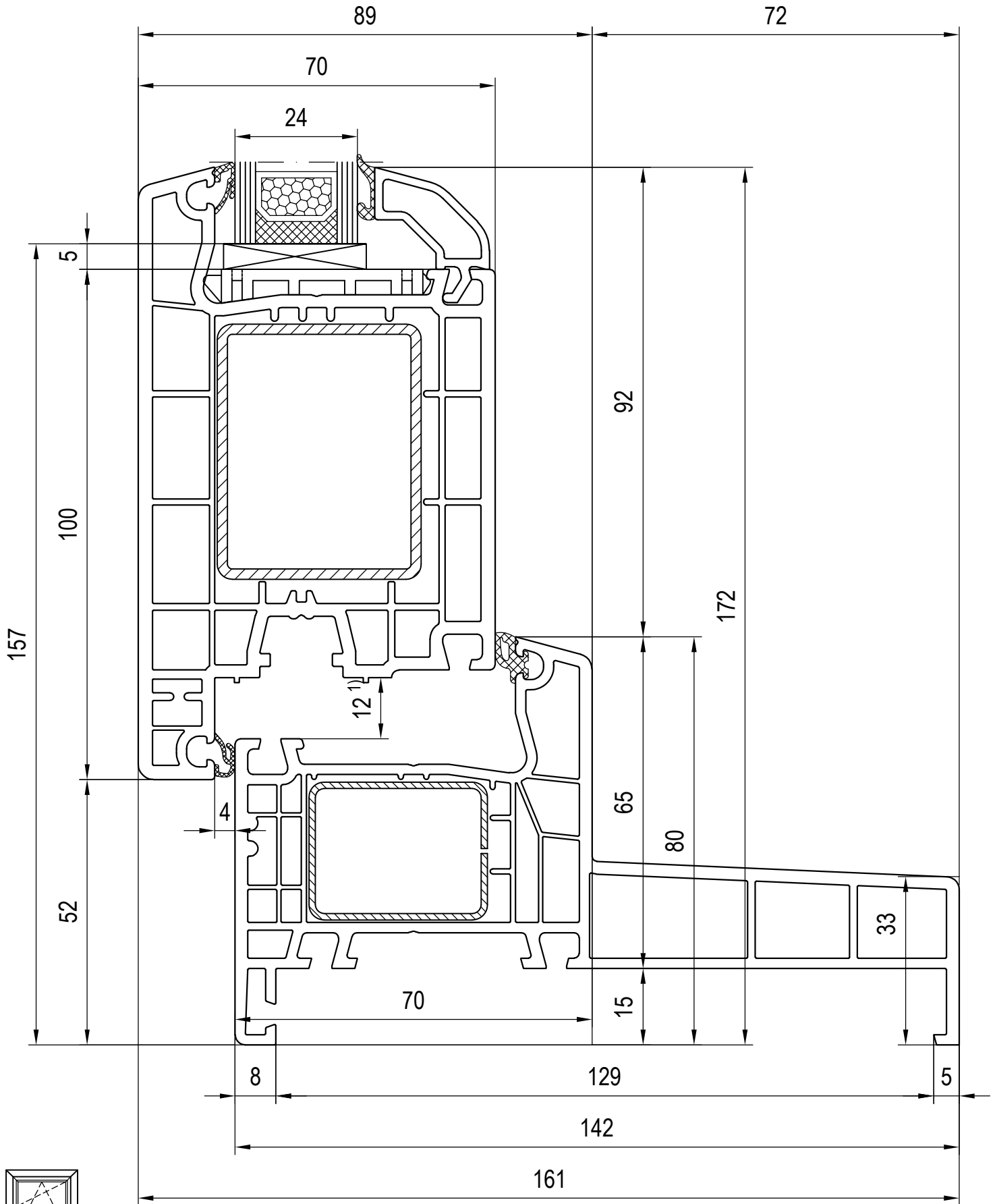
en May be subject to change and errors excepted!

Combinations: frame - sash  
120846/120876 Glazing bead

Frame 140x18  
Sash 140x33







1) Rebate clearance of main entrance door on left and right side = 13 mm

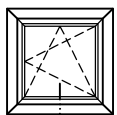
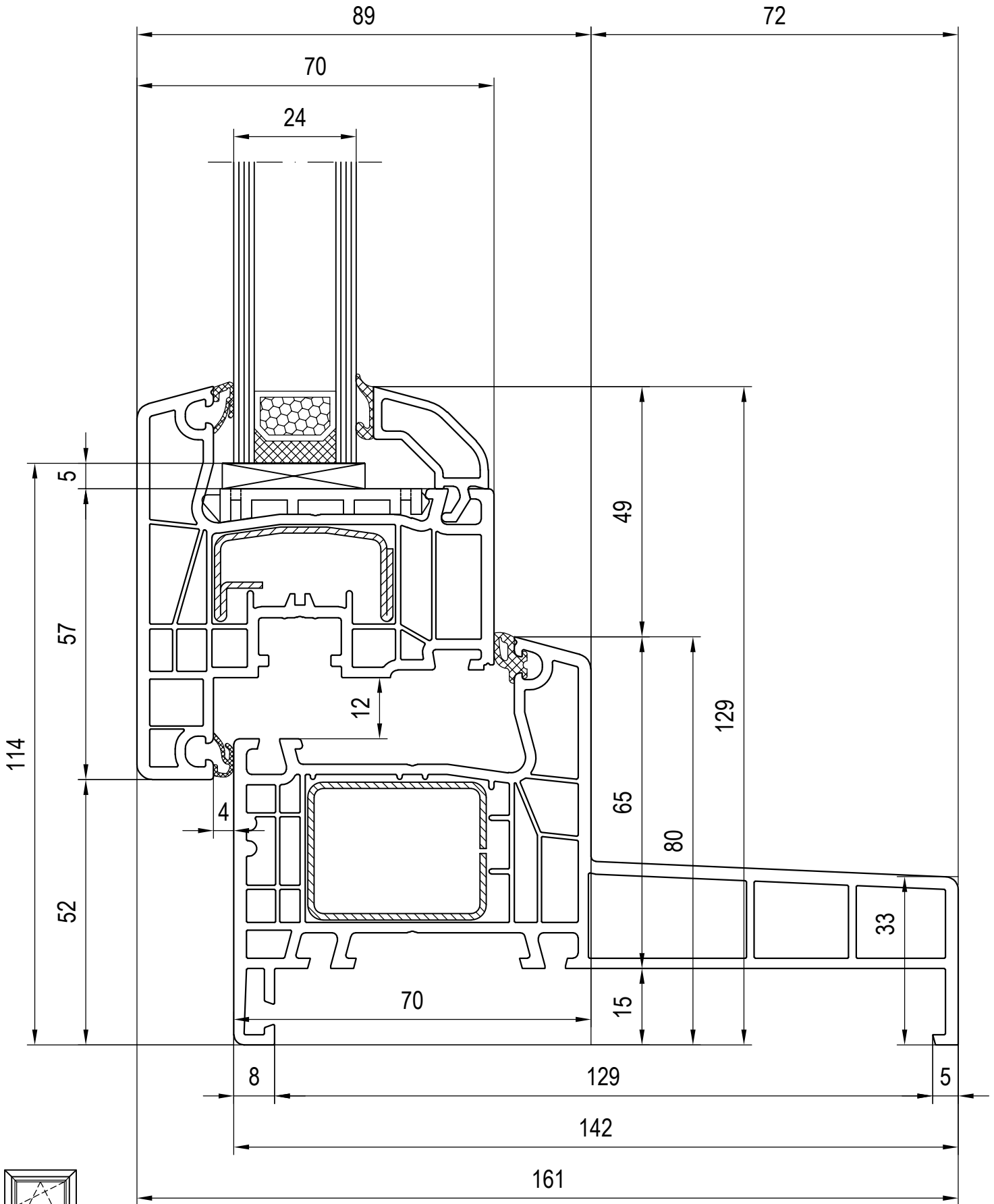
Scale 1:1

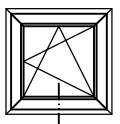
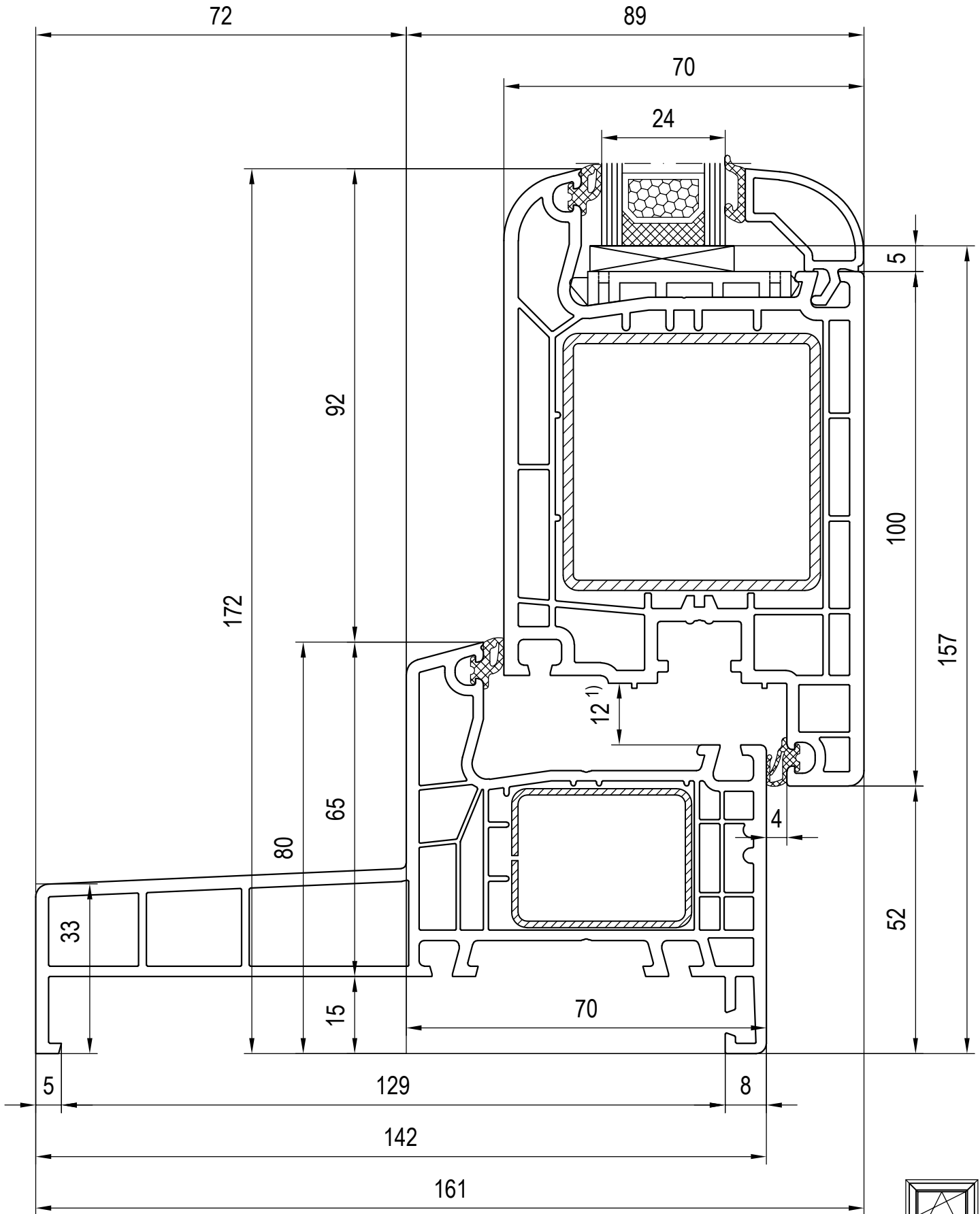
03\_D\_01\_4\*

en May be subject to change and errors excepted!

Combinations: frame - sash  
**120846/120876 Glazing bead**

**Frame 140x18**  
**Sash 140x35**





1) Rebate clearance of main entrance door on left and right side = 13 mm

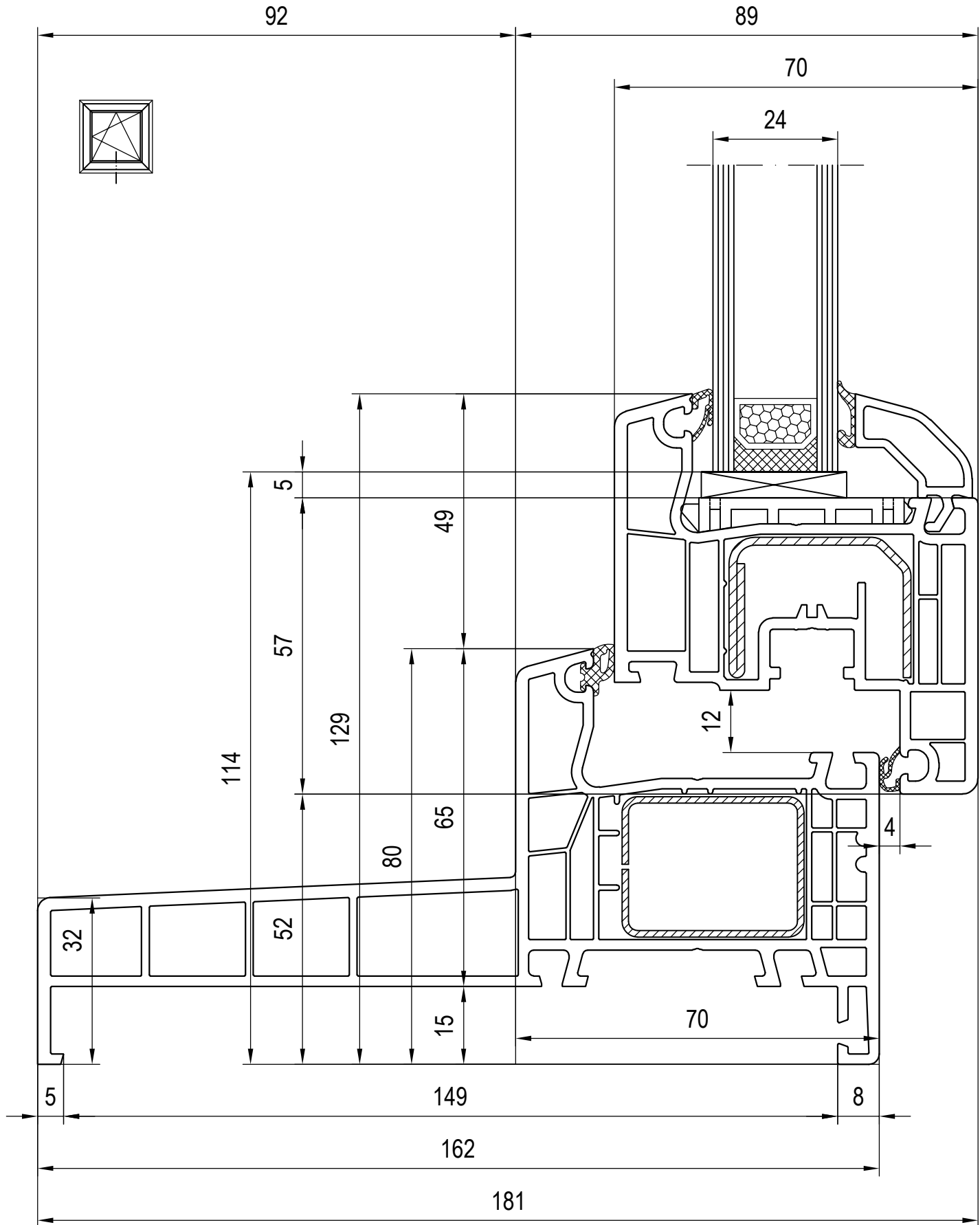
Scale 1:1

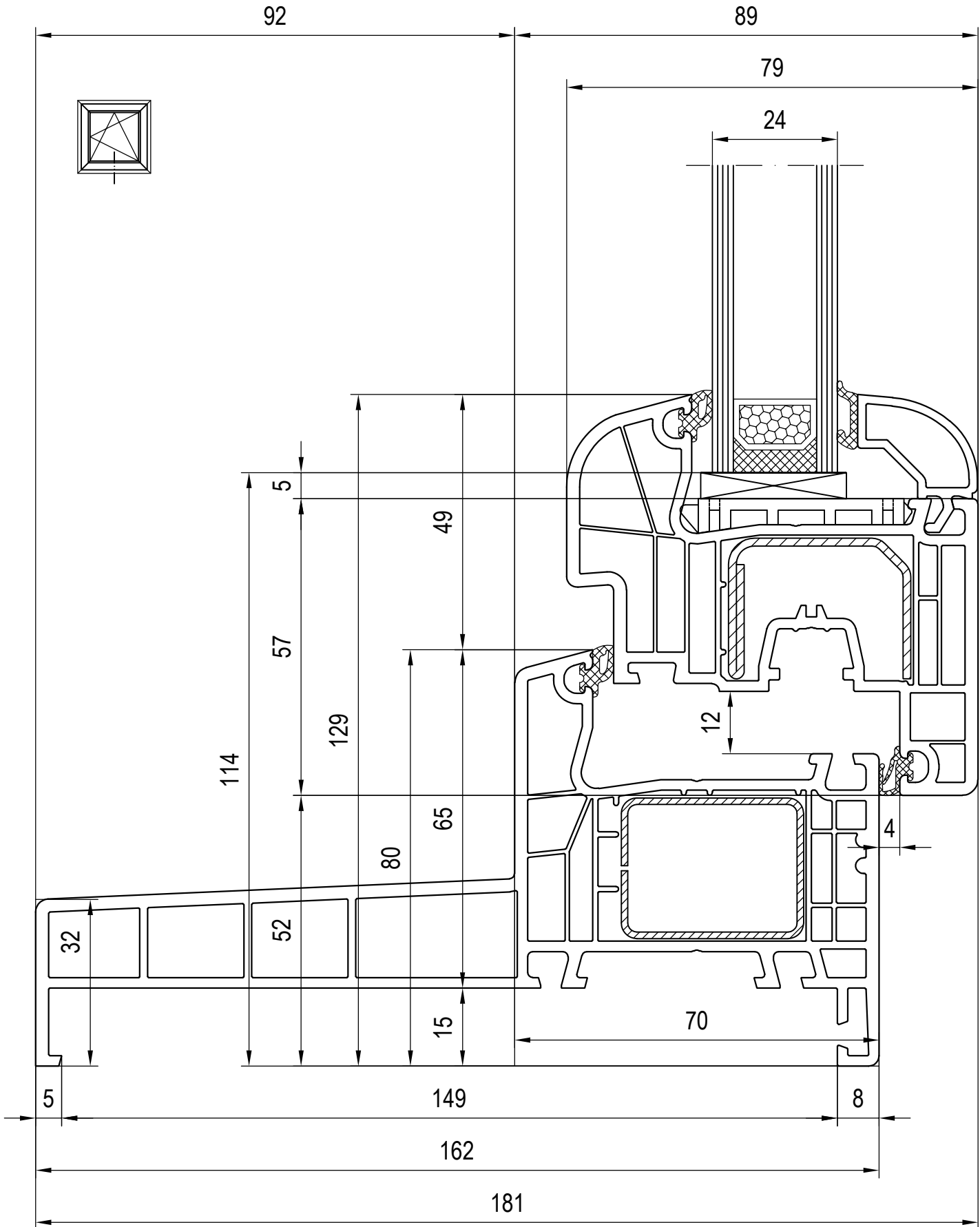
03\_D\_01\_4\*

en May be subject to change and errors excepted!

Combinations: frame - sash  
120850/120880 Glazing bead

Frame 140x18  
Sash 140x38





Scale 1:1

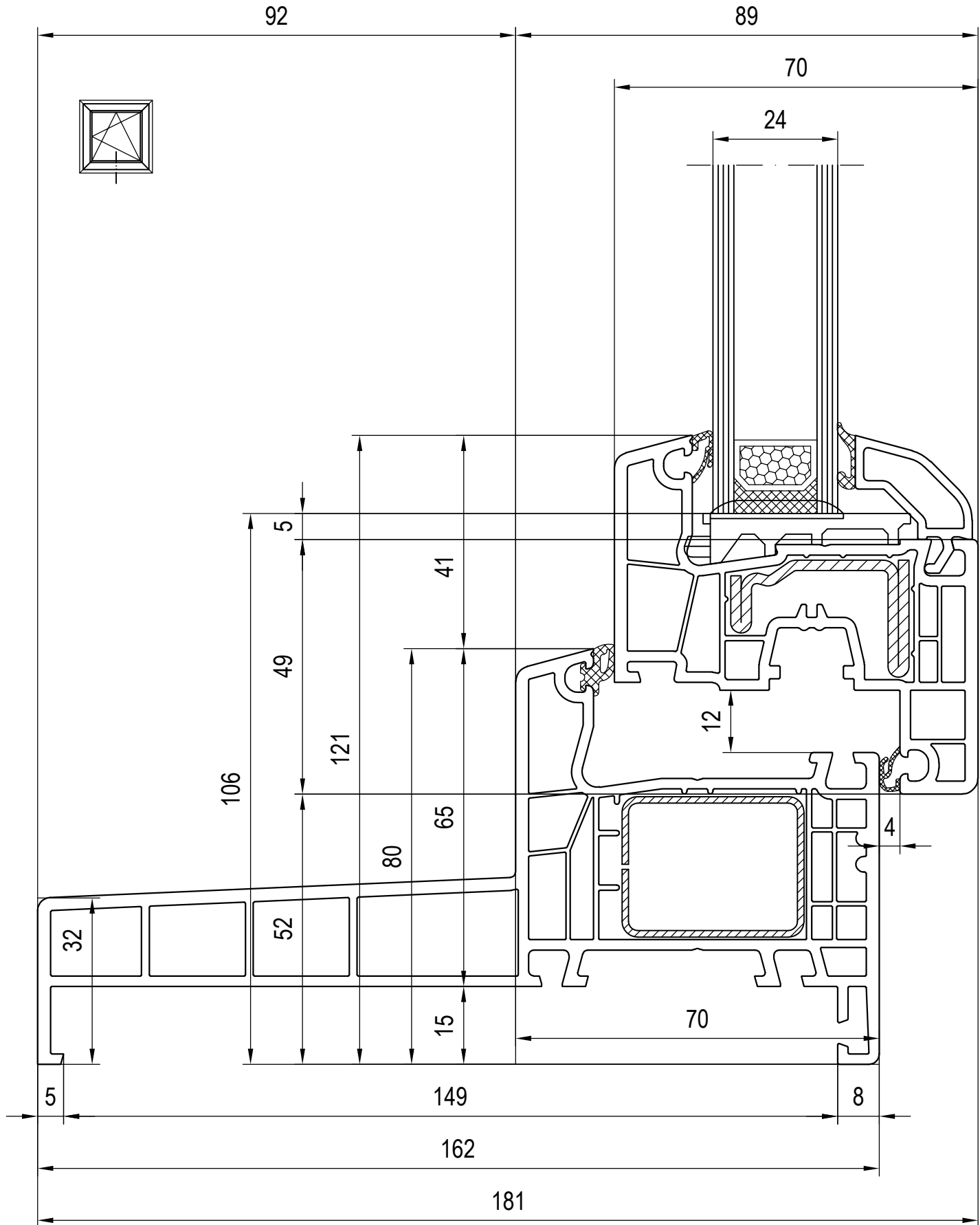
03\_D\_01\_4\*

en May be subject to change and errors excepted!

Combinations: frame - sash  
**120850/120880 Glazing bead**

**Frame 140x19**

**Sash 140x22**



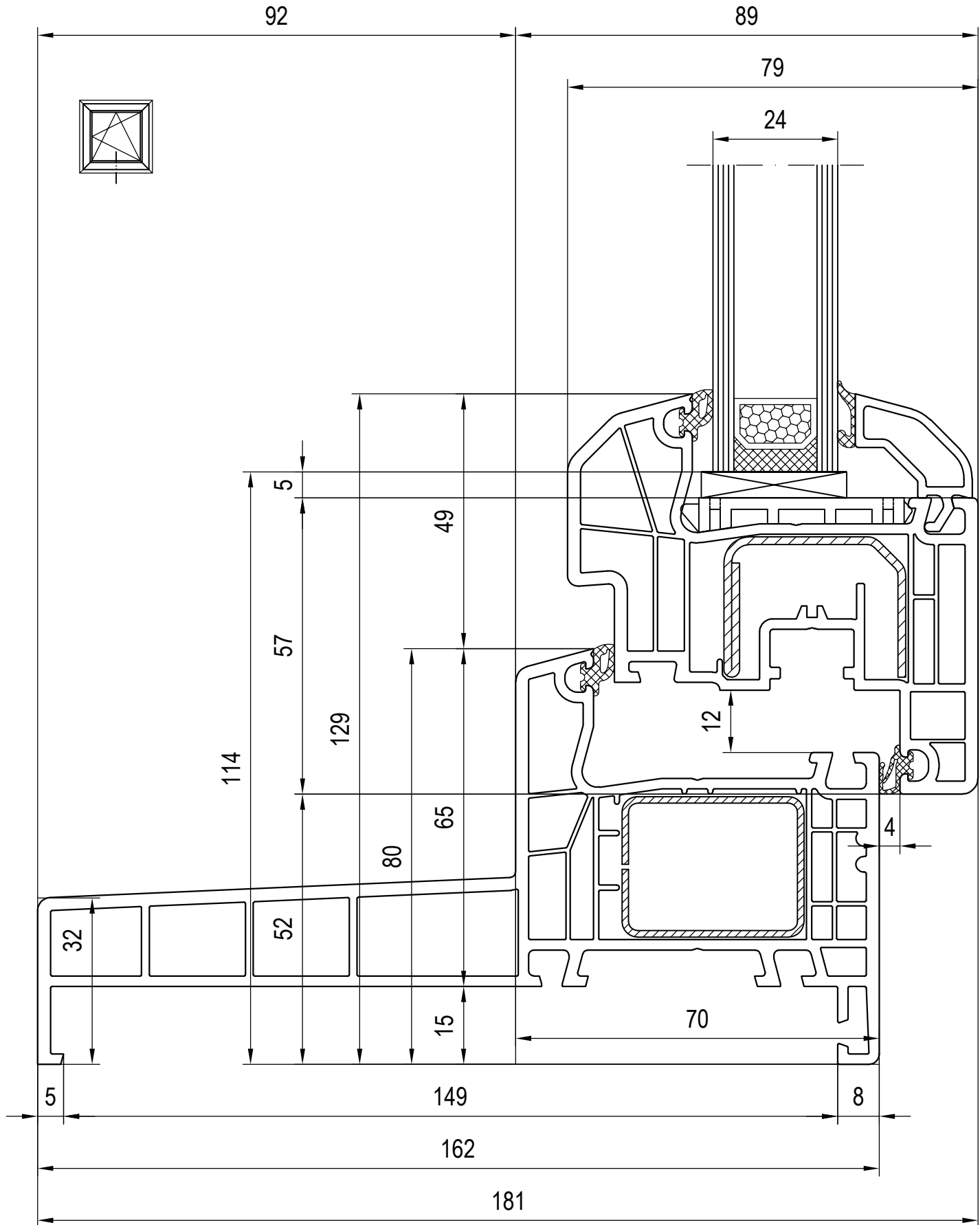
Scale 1:1

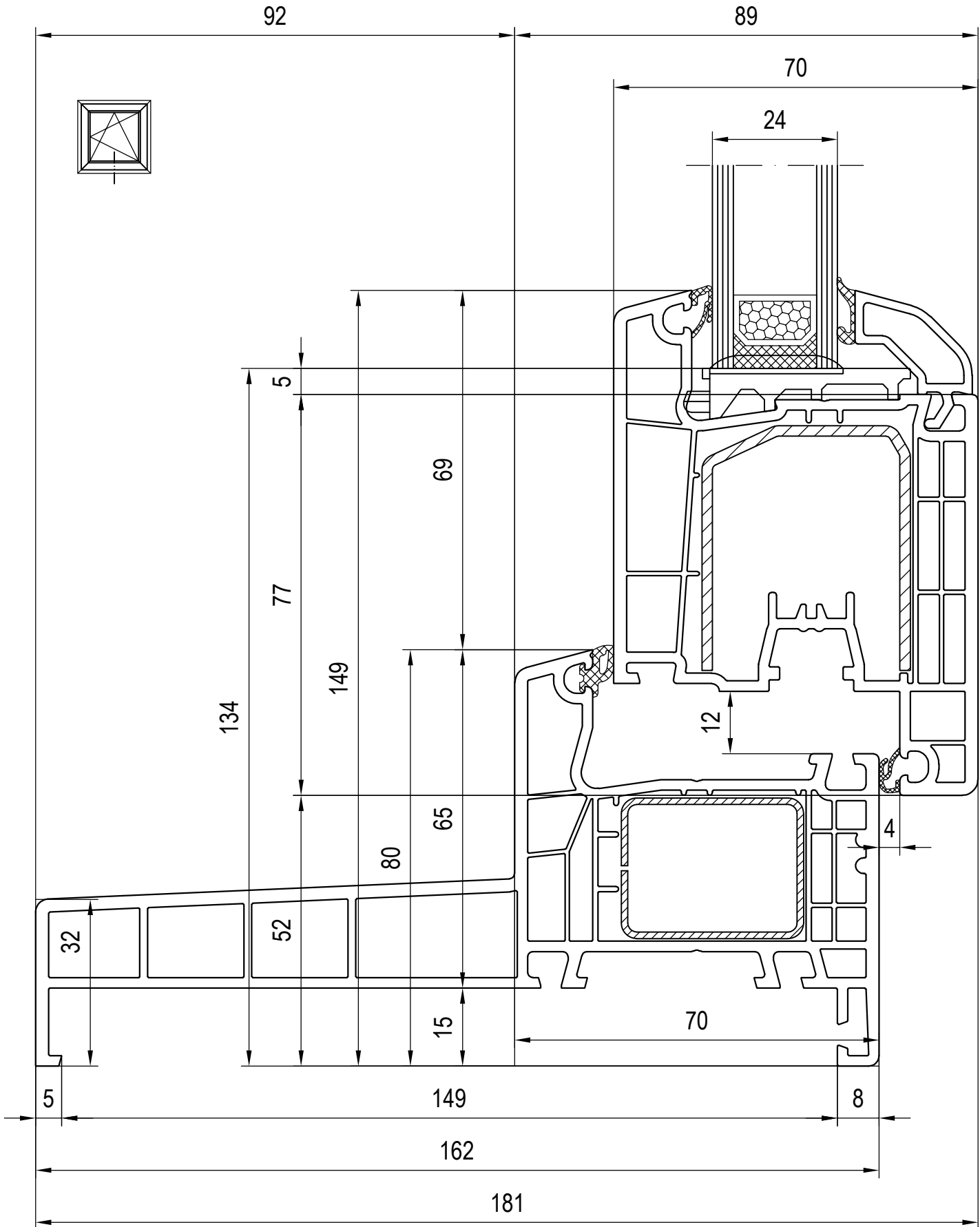
03\_D\_01\_4\*

en May be subject to change and errors excepted!

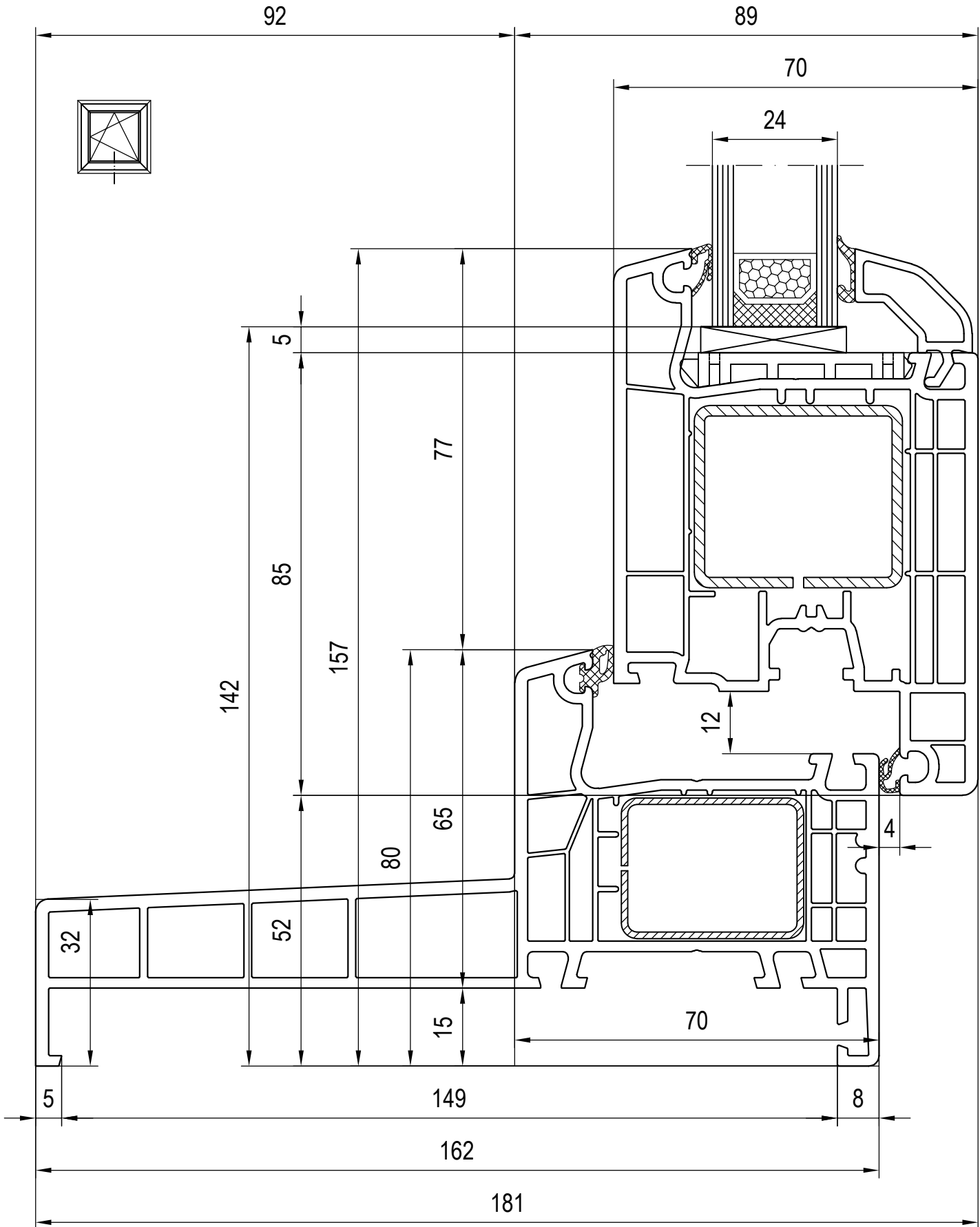
Combinations: frame - sash  
120846/120876 Glazing bead

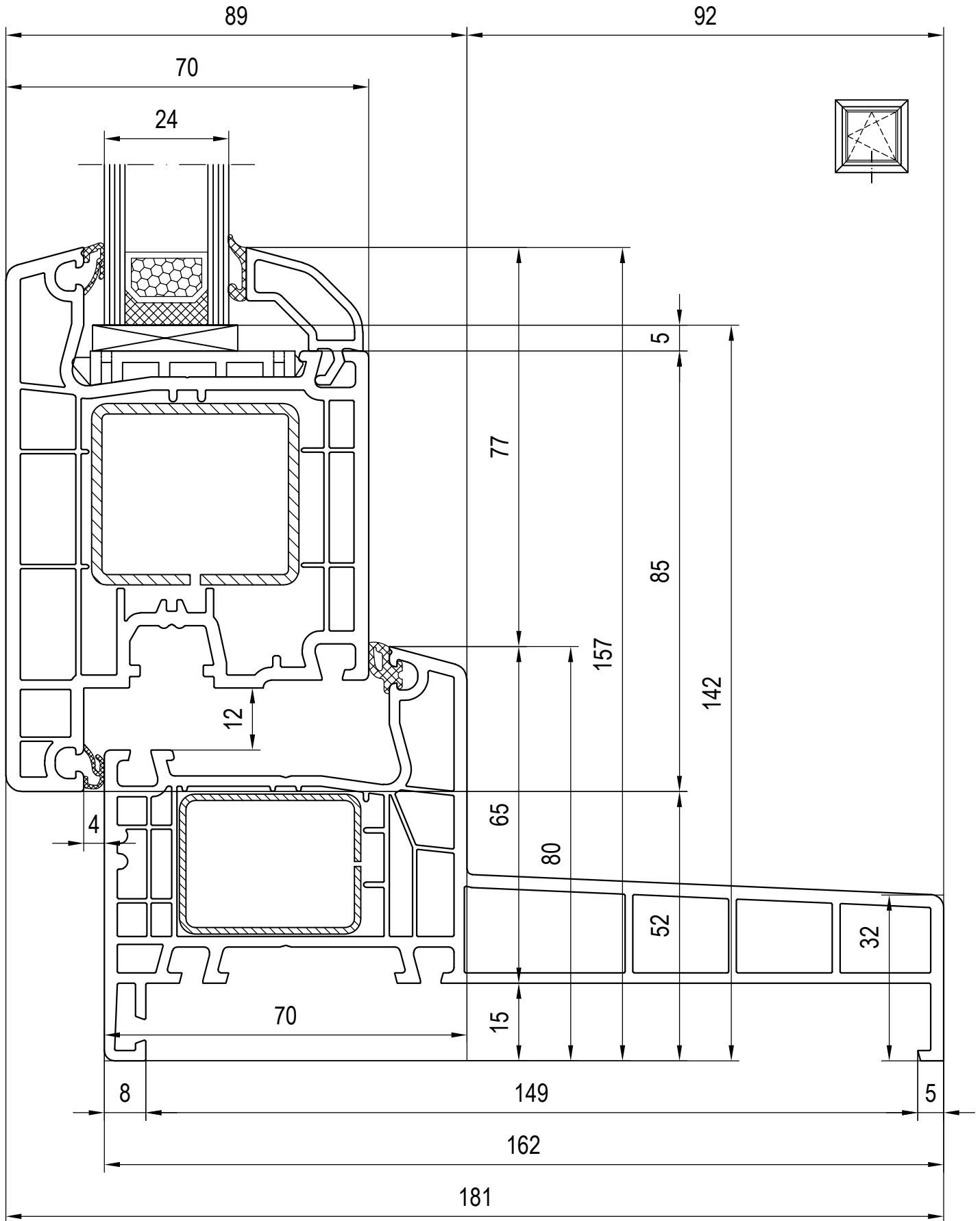
Frame 140x19  
Sash 140x24

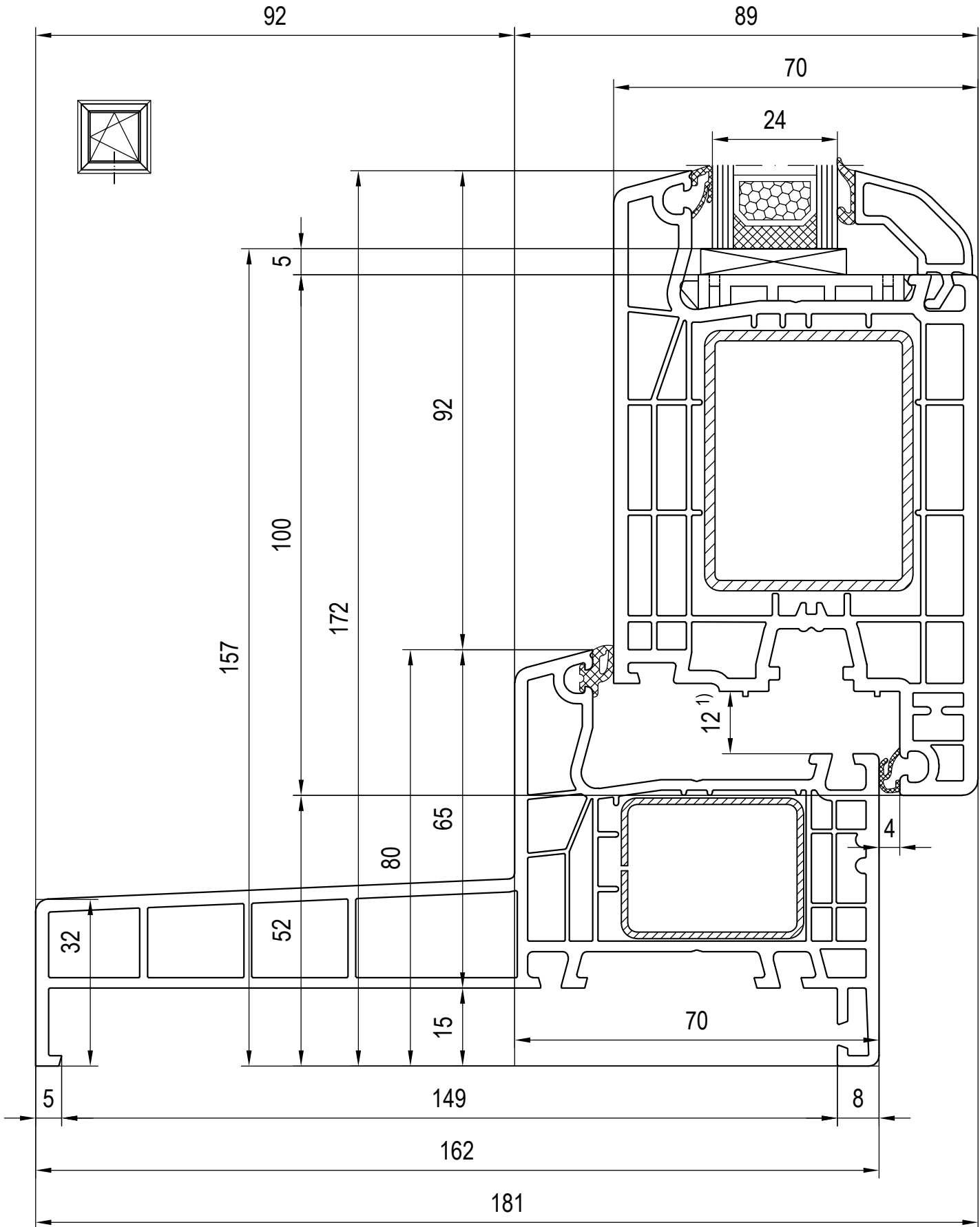












1) Rebate clearance of main entrance door on left and right side = 13 mm

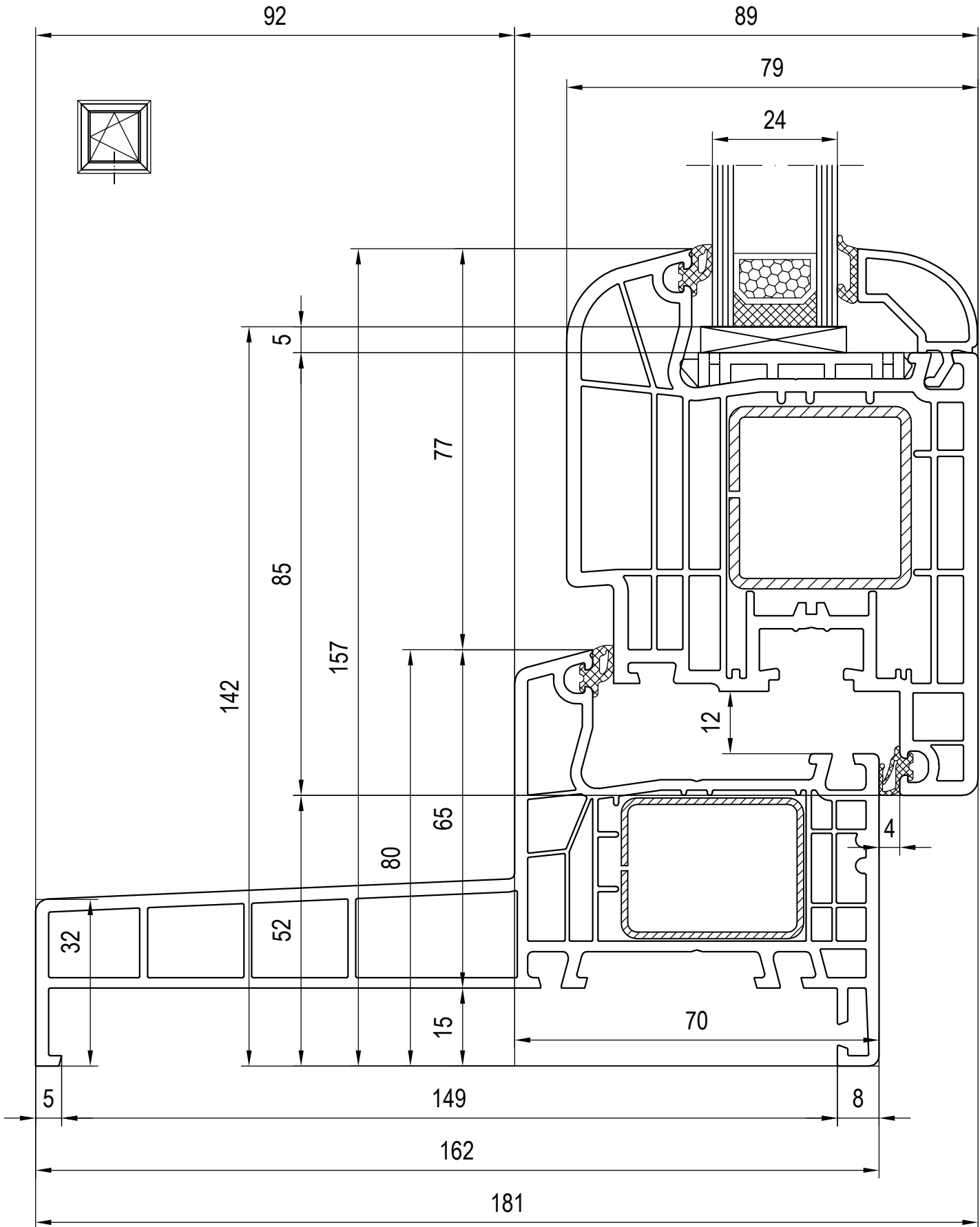
Scale 1:1

03\_D\_01\_4\*

en May be subject to change and errors excepted!

Combinations: frame - sash  
120846/120876 Glazing bead

Frame 140x19  
Sash 140x33



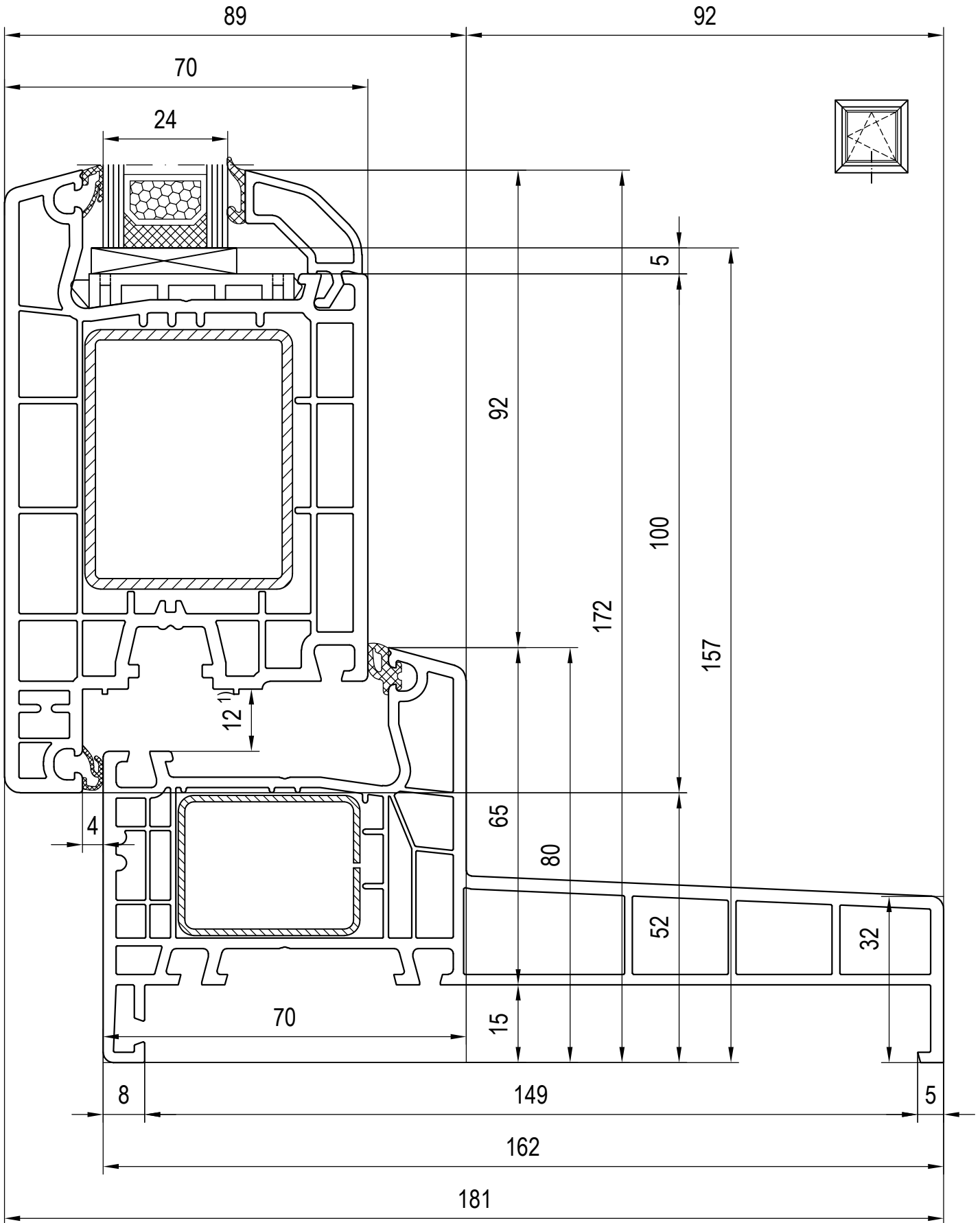
Scale 1:1

03\_D\_01\_4\*

en May be subject to change and errors excepted!

Combinations: frame - sash  
120850/120880 Glazing bead

Frame 140x19  
Sash 140x34



1) Rebate clearance of main entrance door on left and right side = 13 mm

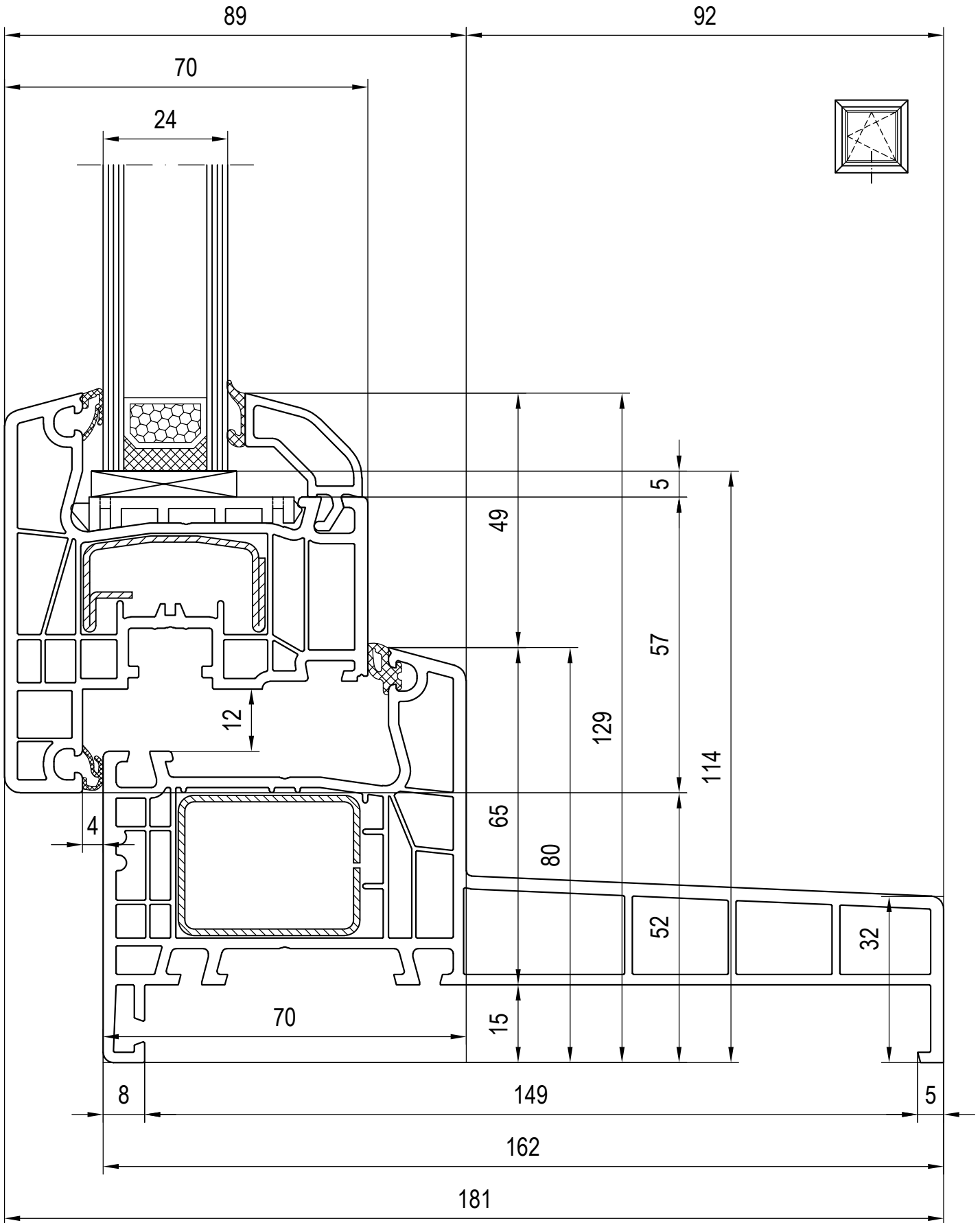
Scale 1:1

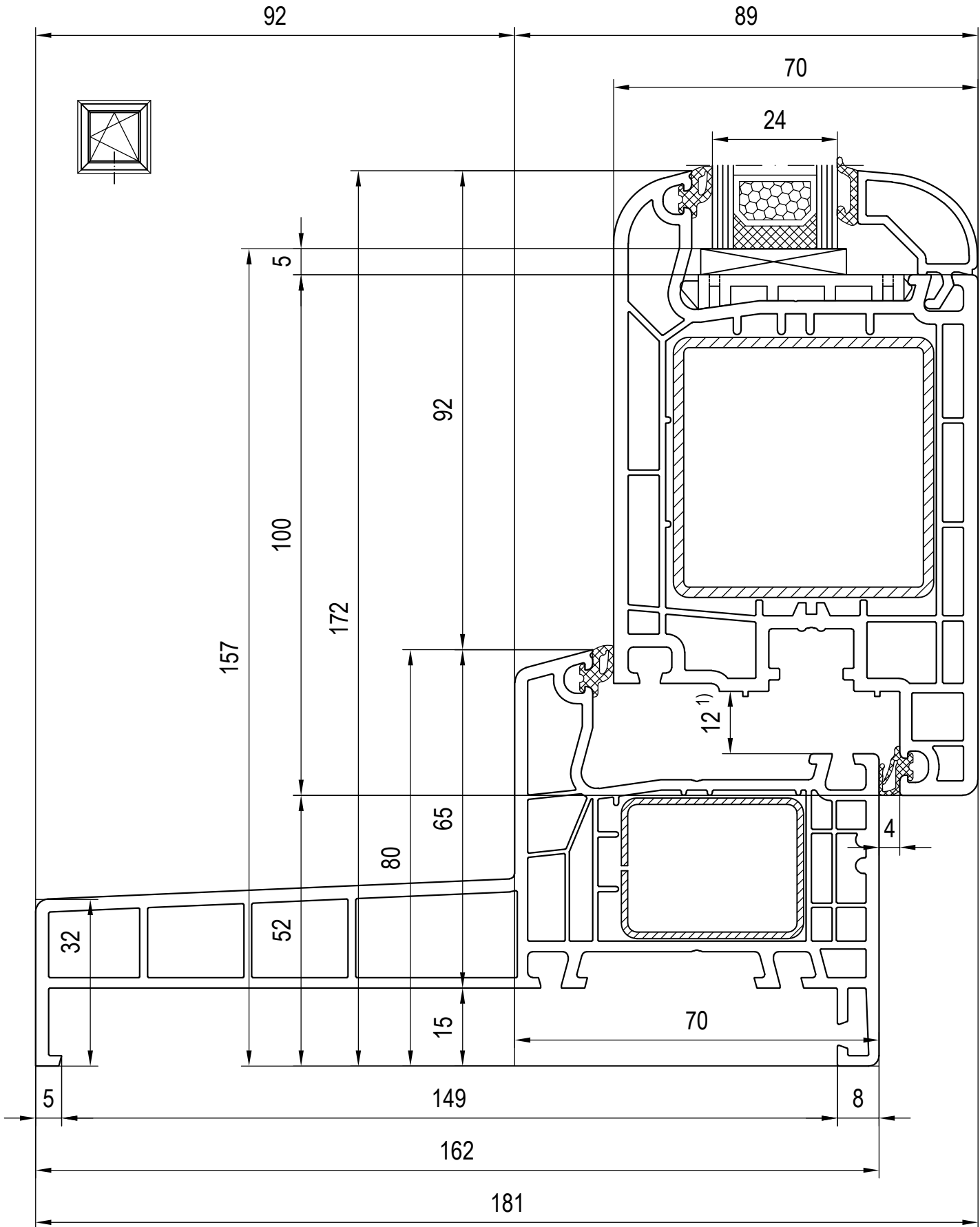
03\_D\_01\_4\*

en May be subject to change and errors excepted!

Combinations: frame - sash  
120846/120876 Glazing bead

Frame 140x19  
Sash 140x35





1) Rebate clearance of main entrance door on left and right side = 13 mm

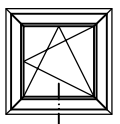
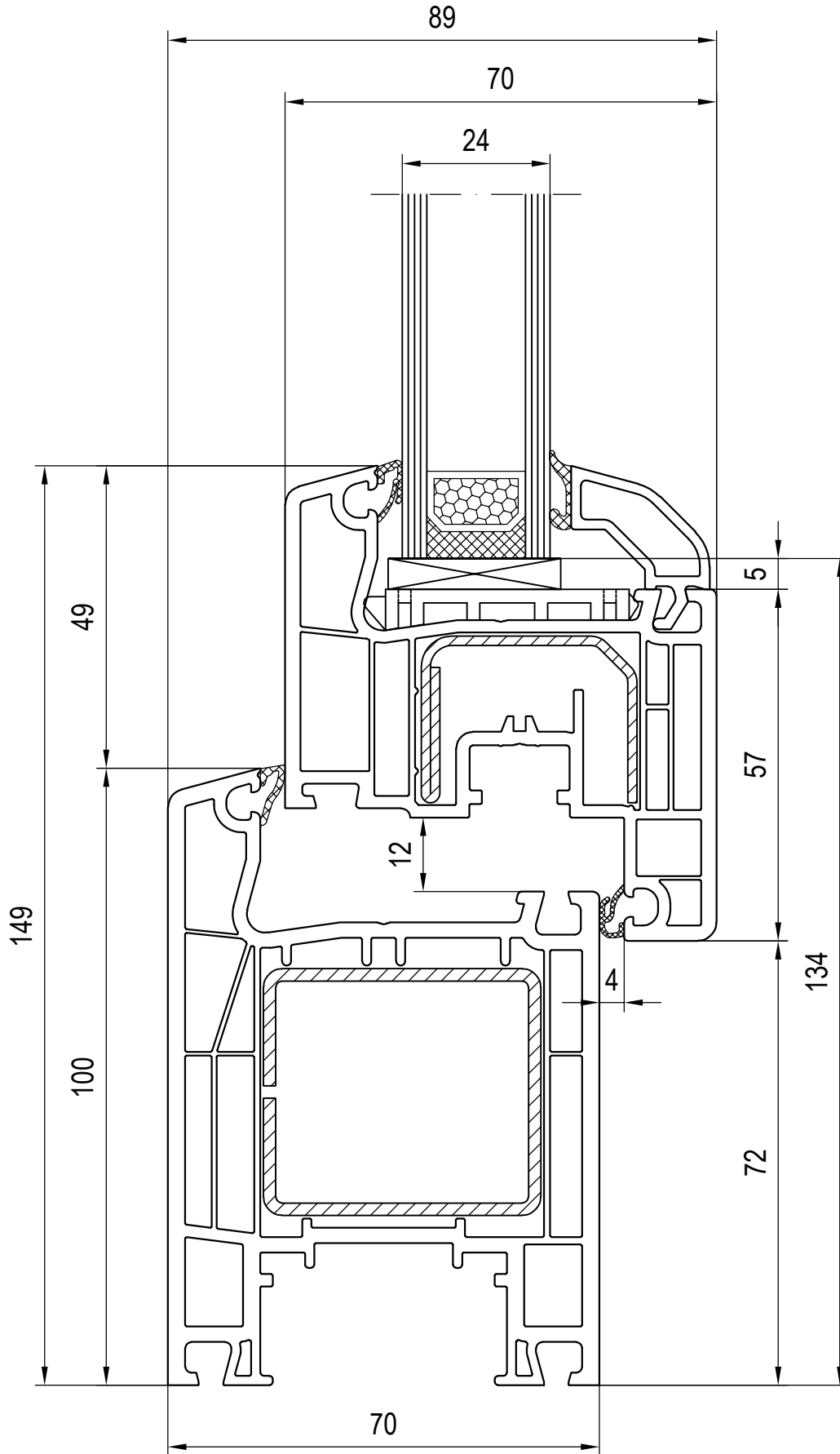
Scale 1:1

03\_D\_01\_4\*

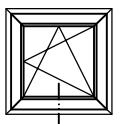
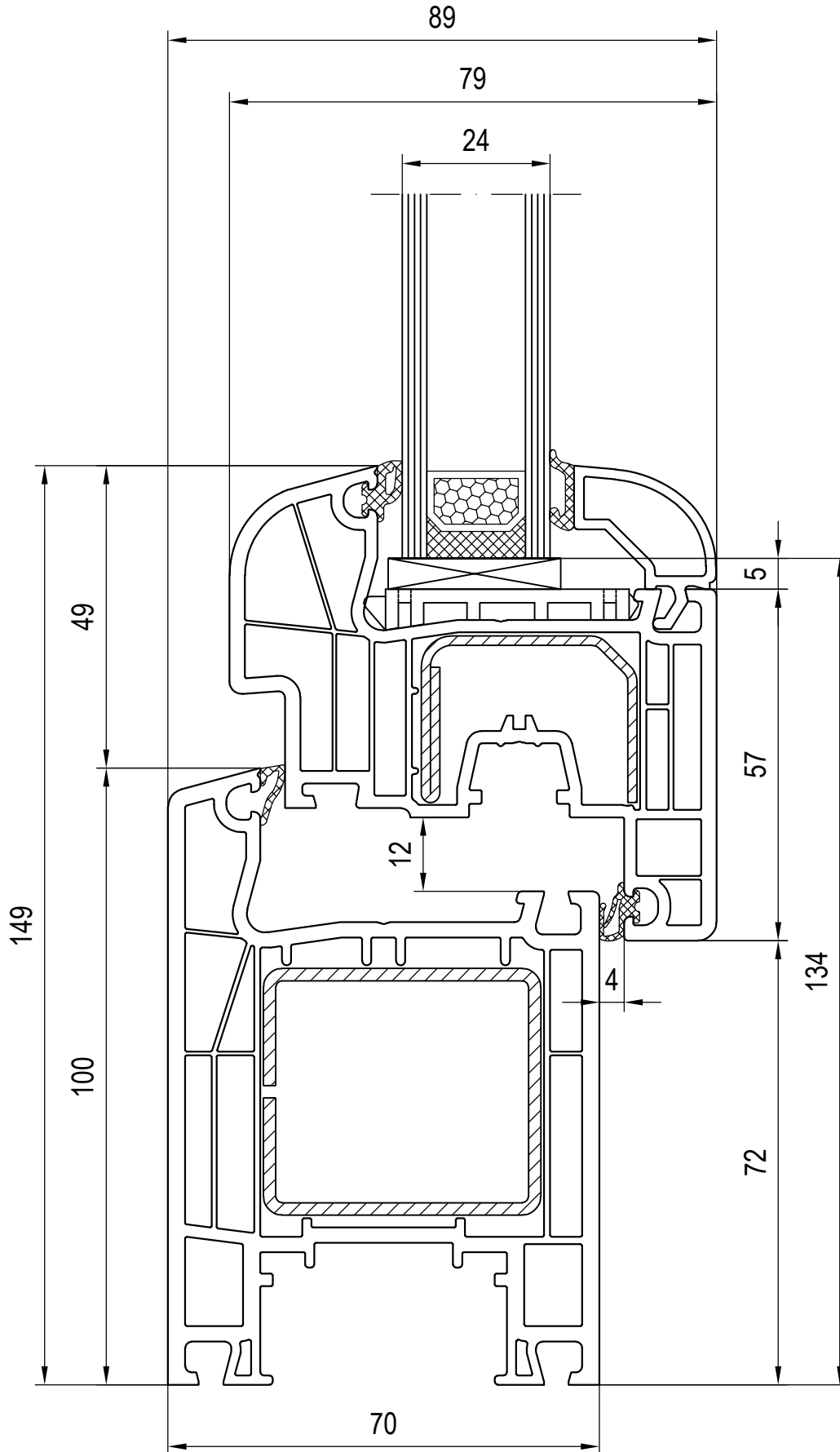
en May be subject to change and errors excepted!

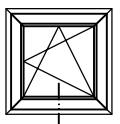
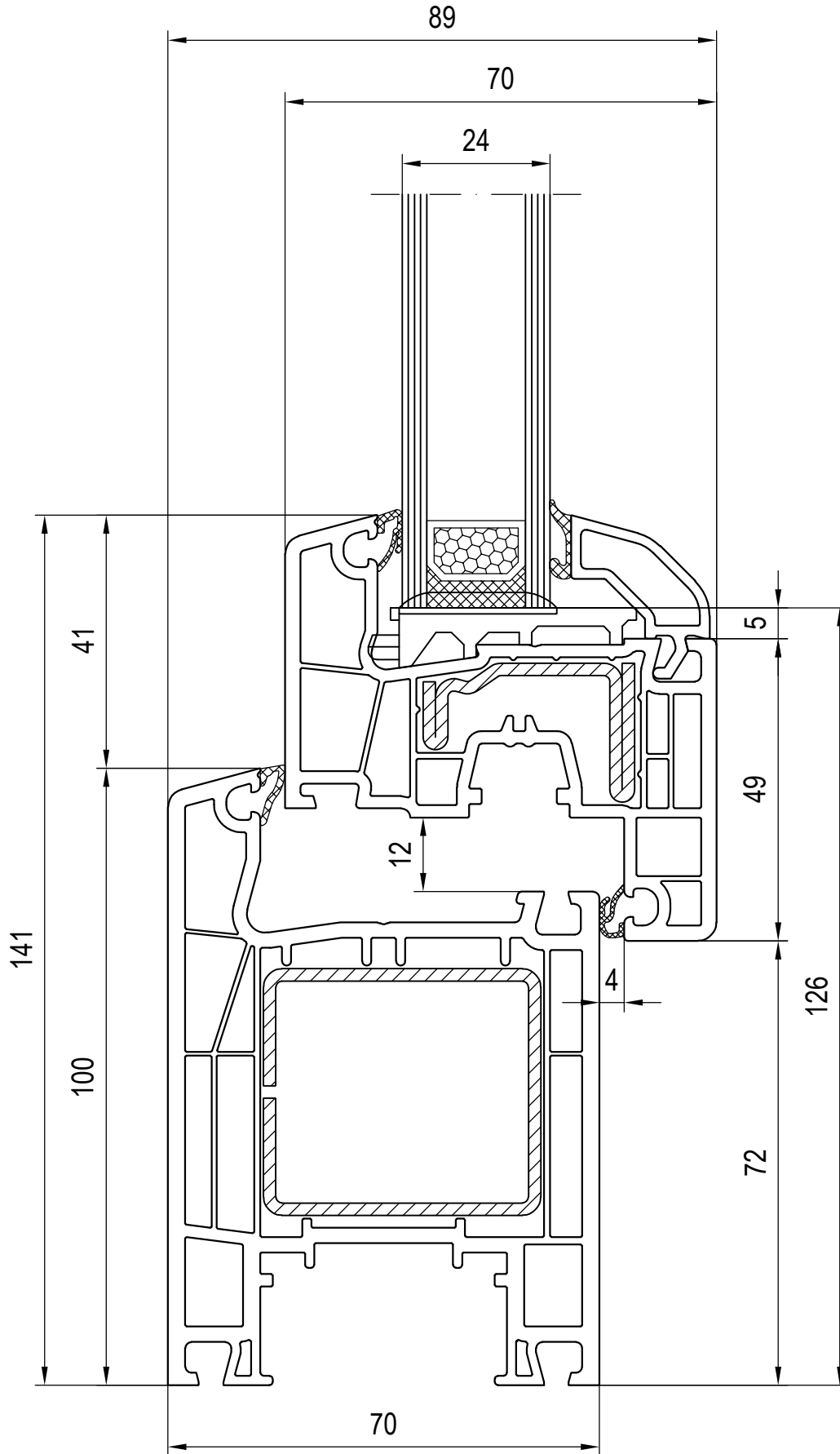
Combinations: frame - sash  
120850/120880 Glazing bead

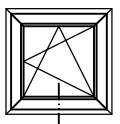
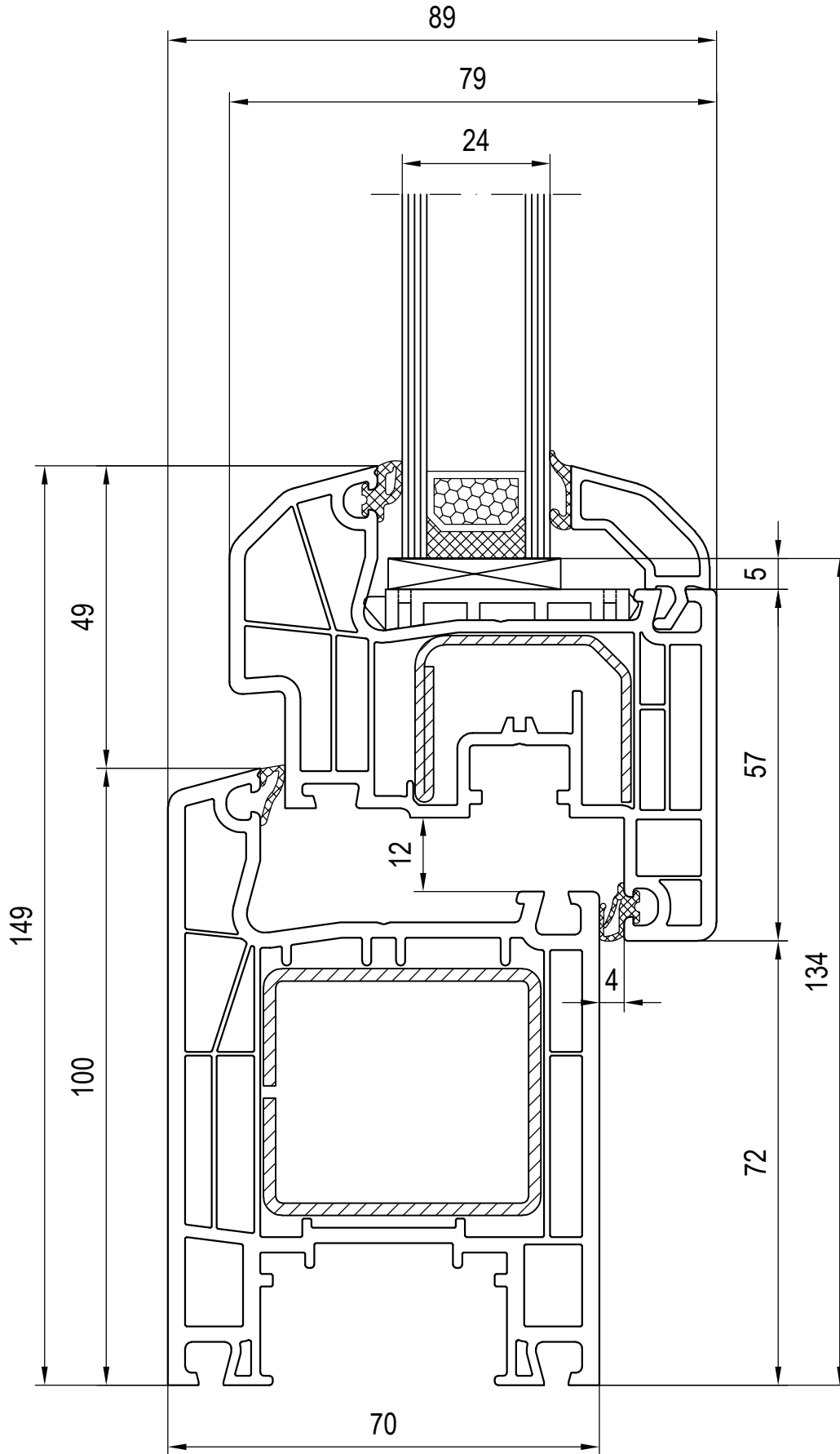
Frame 140x19  
Sash 140x38

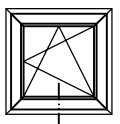
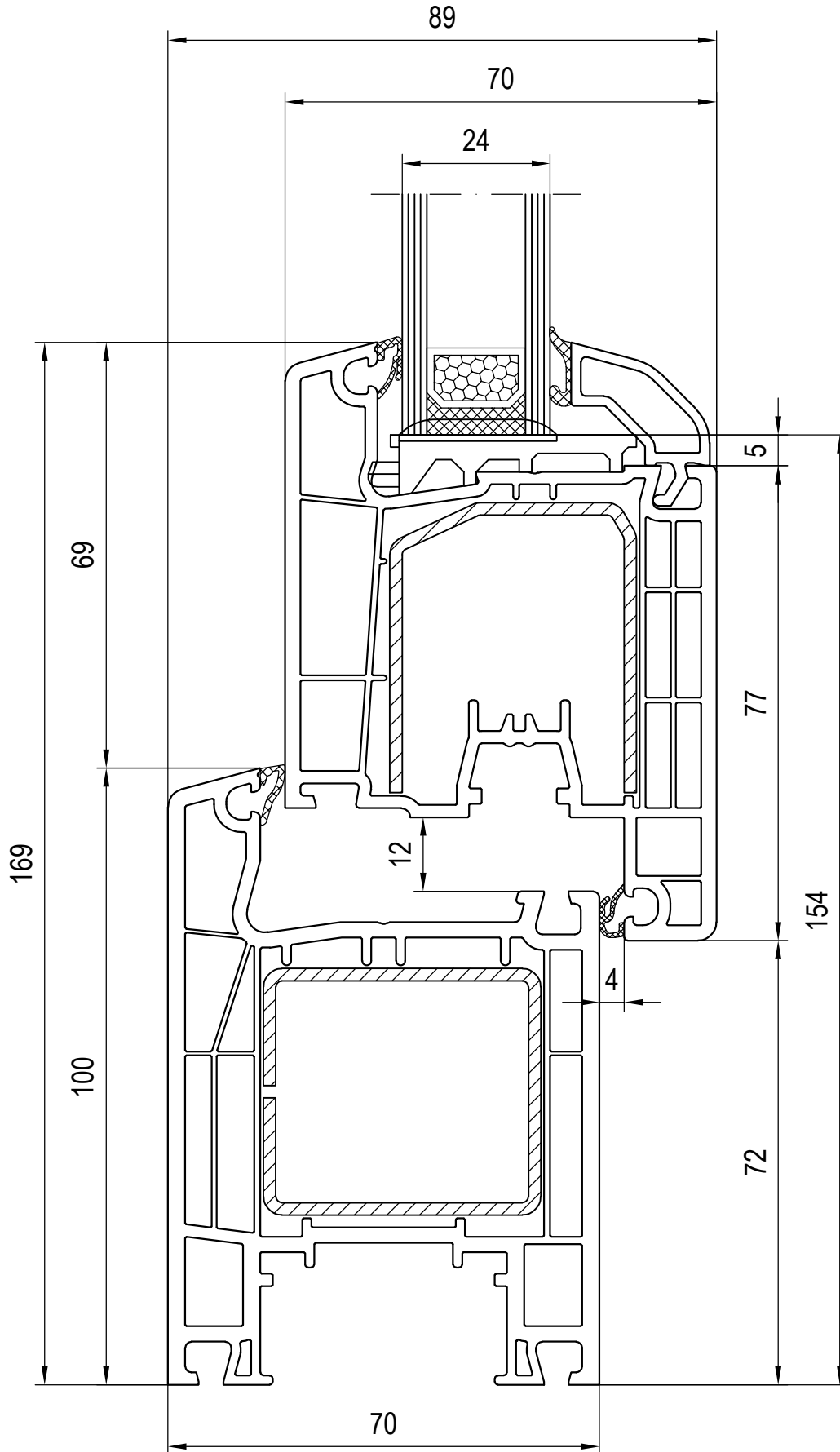


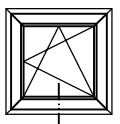
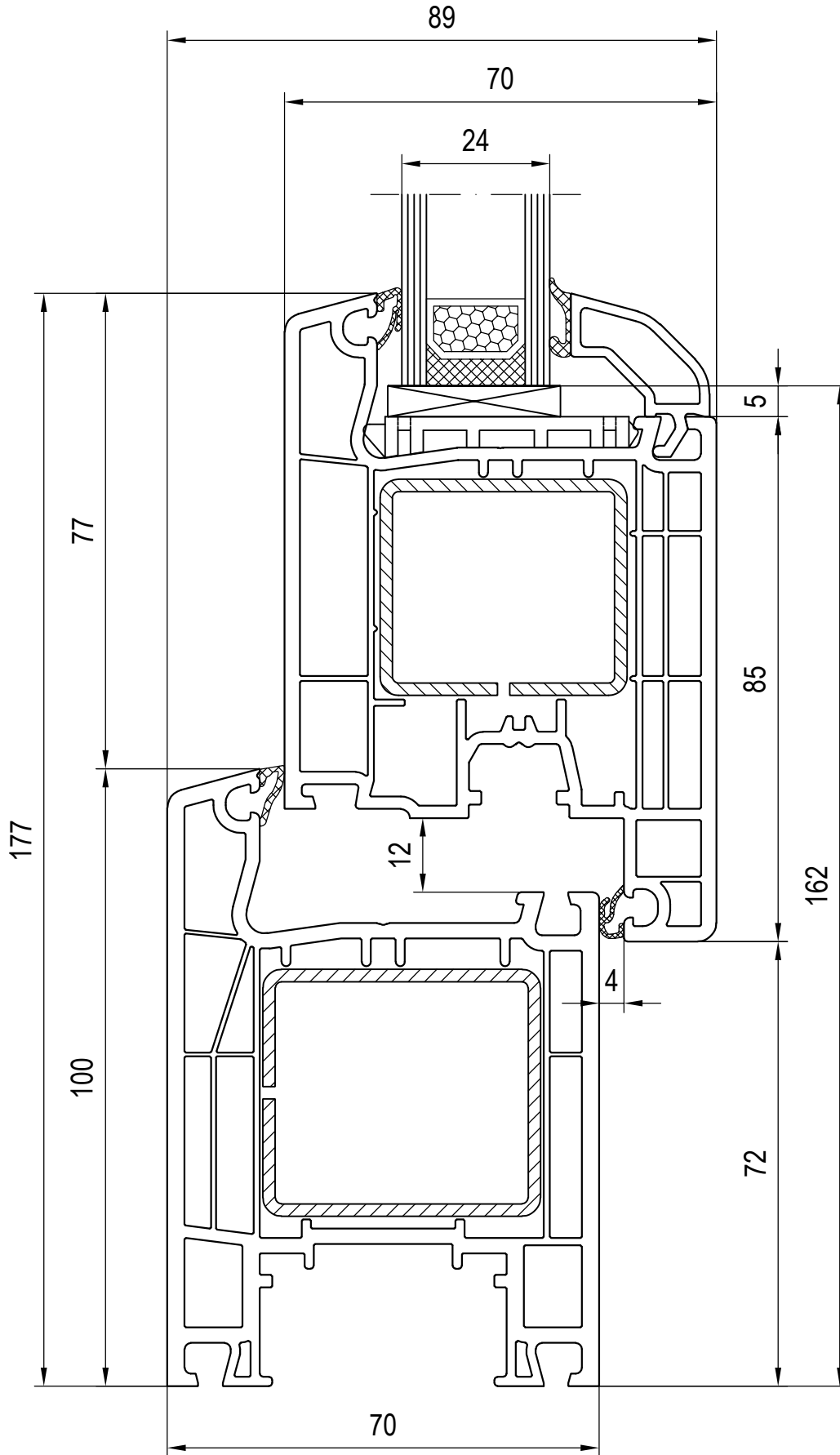


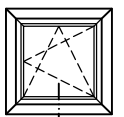
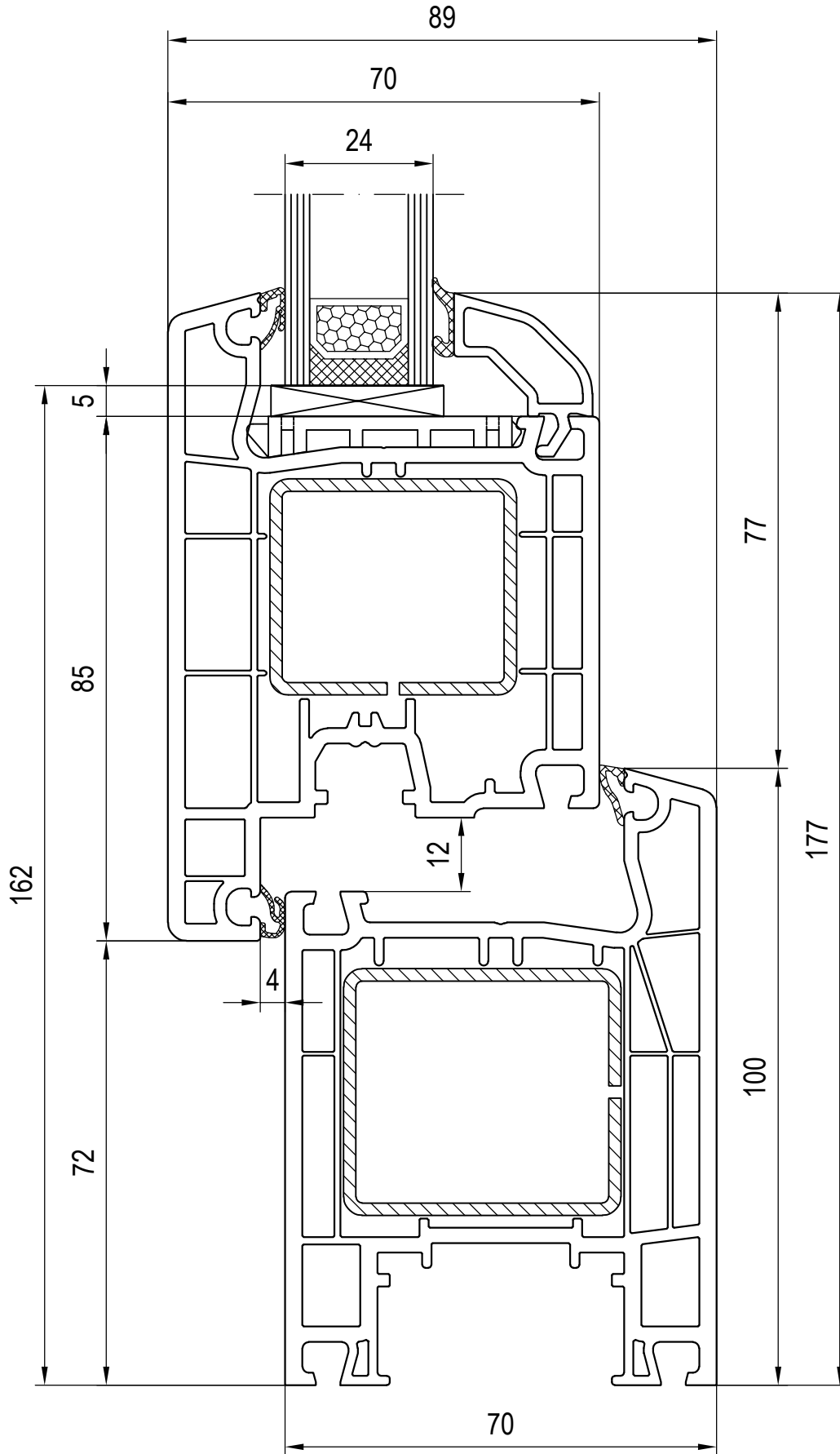


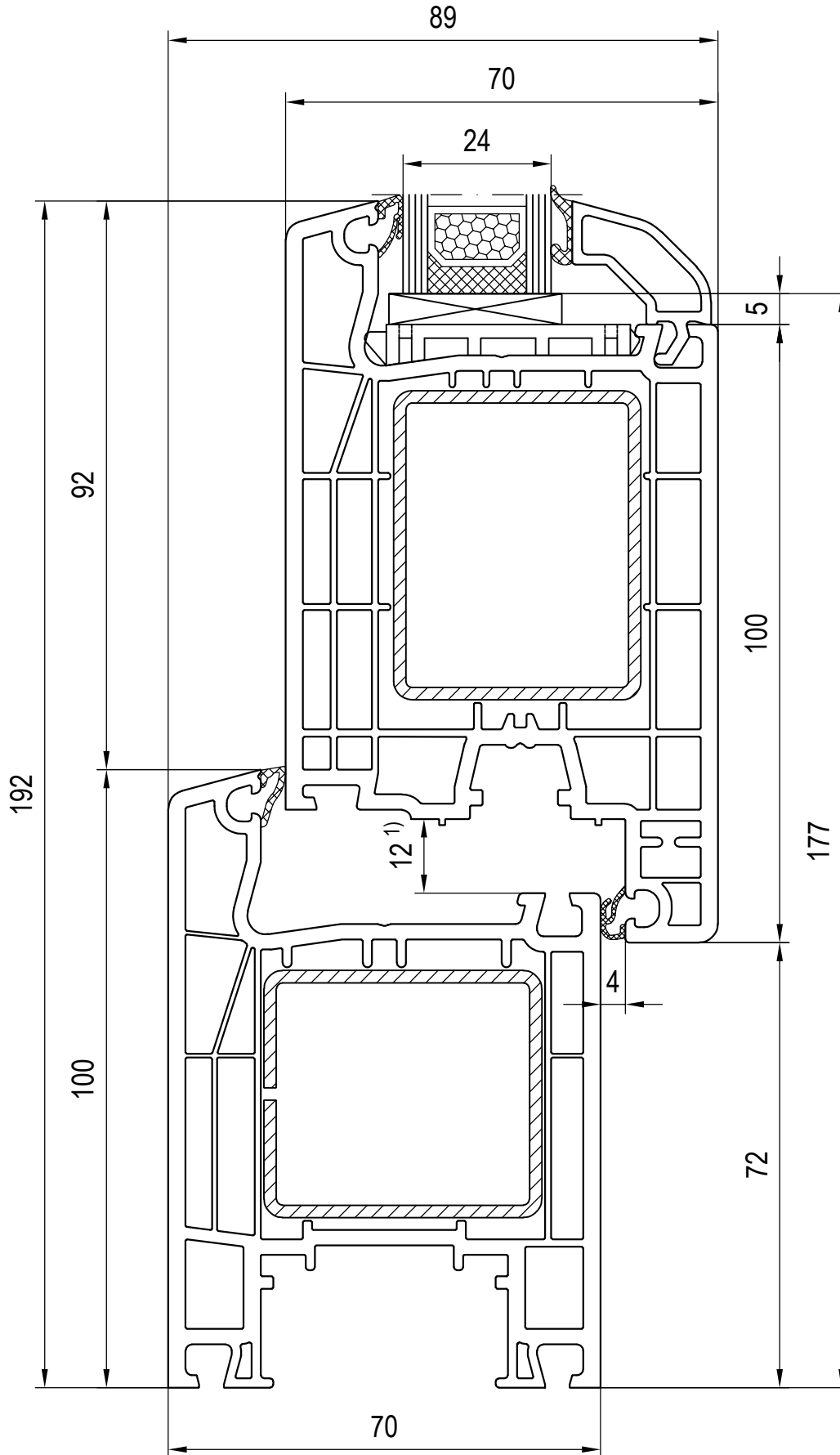












1) Rebate clearance of main entrance door on left and right side = 13 mm

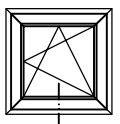
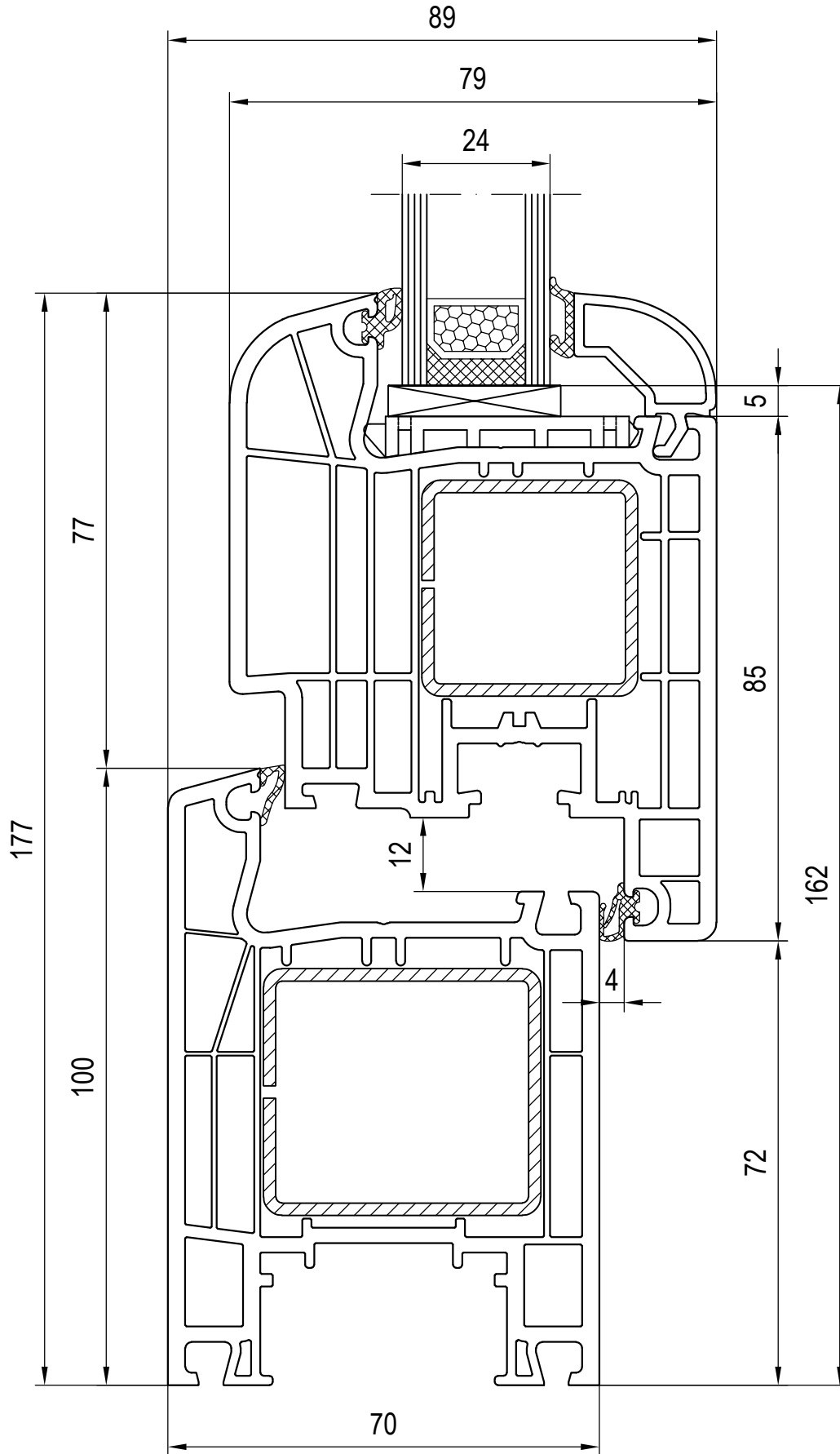
Scale 1:1

03\_D\_01\_4\*

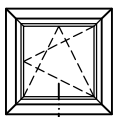
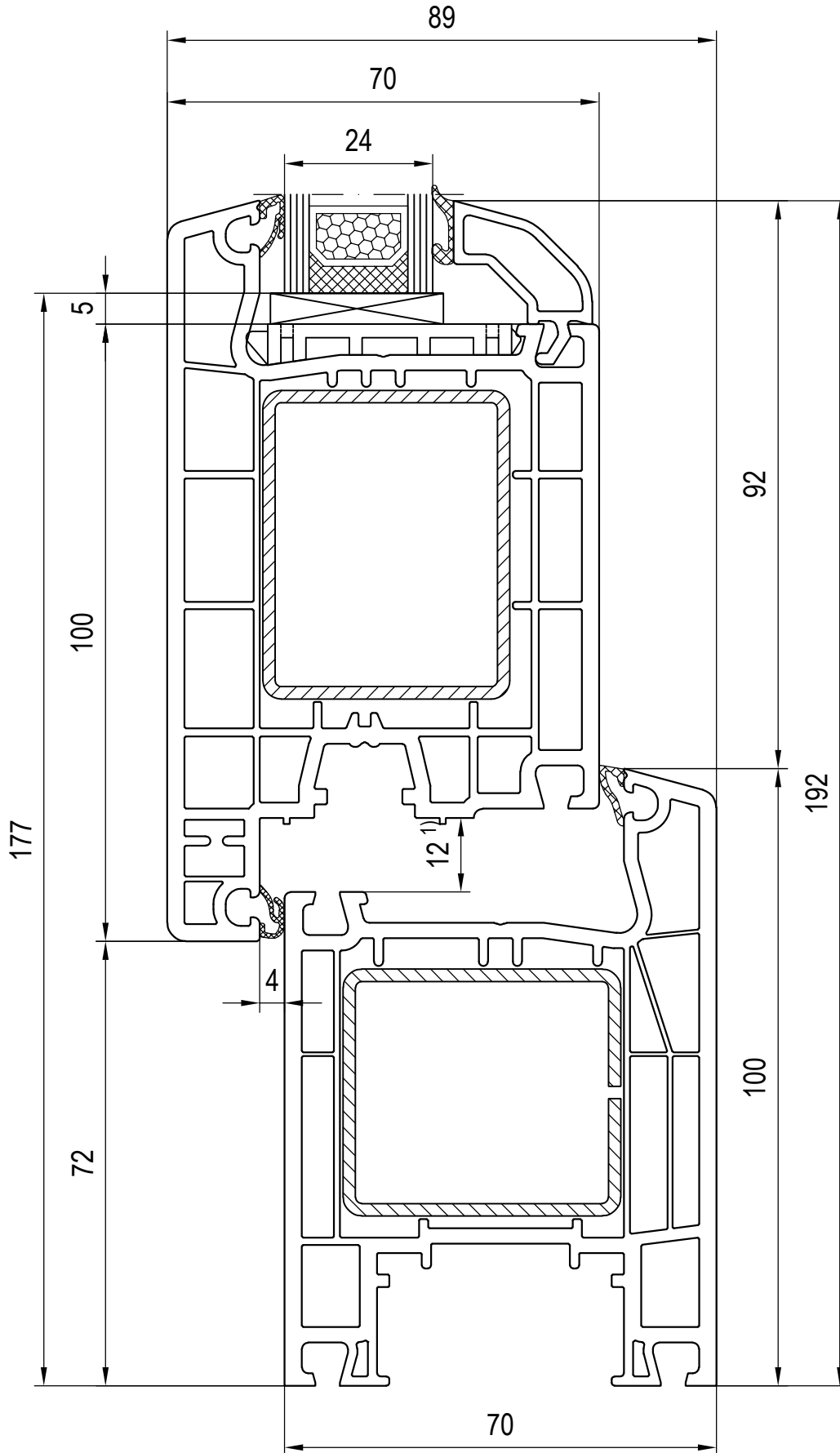
en May be subject to change and errors excepted!

Combinations: frame - sash  
**120846/120876 Glazing bead**

**Frame 140x81**  
**Sash 140x33**







1) Rebate clearance of main entrance door on left and right side = 13 mm

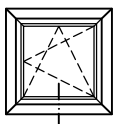
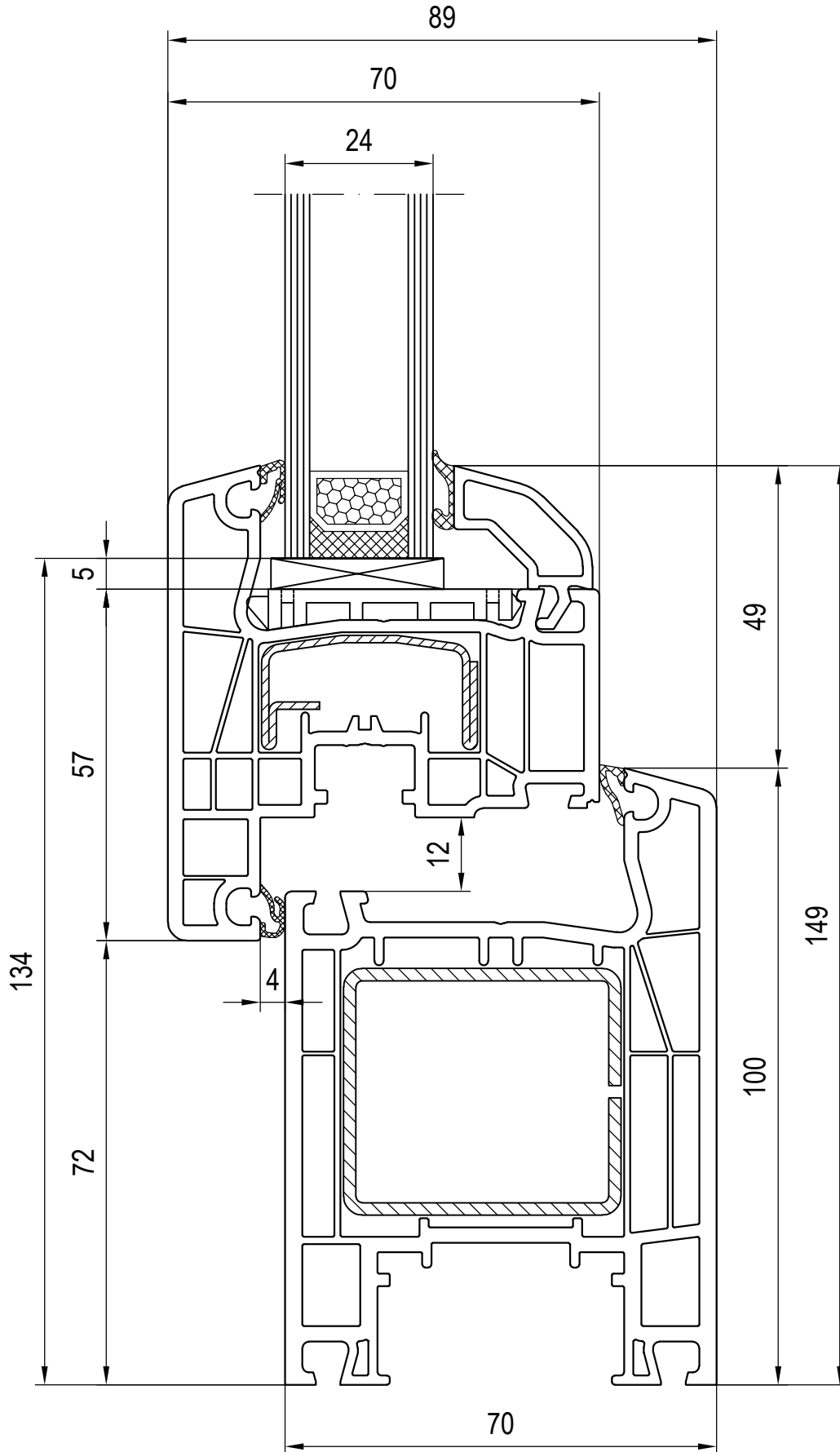
Scale 1:1

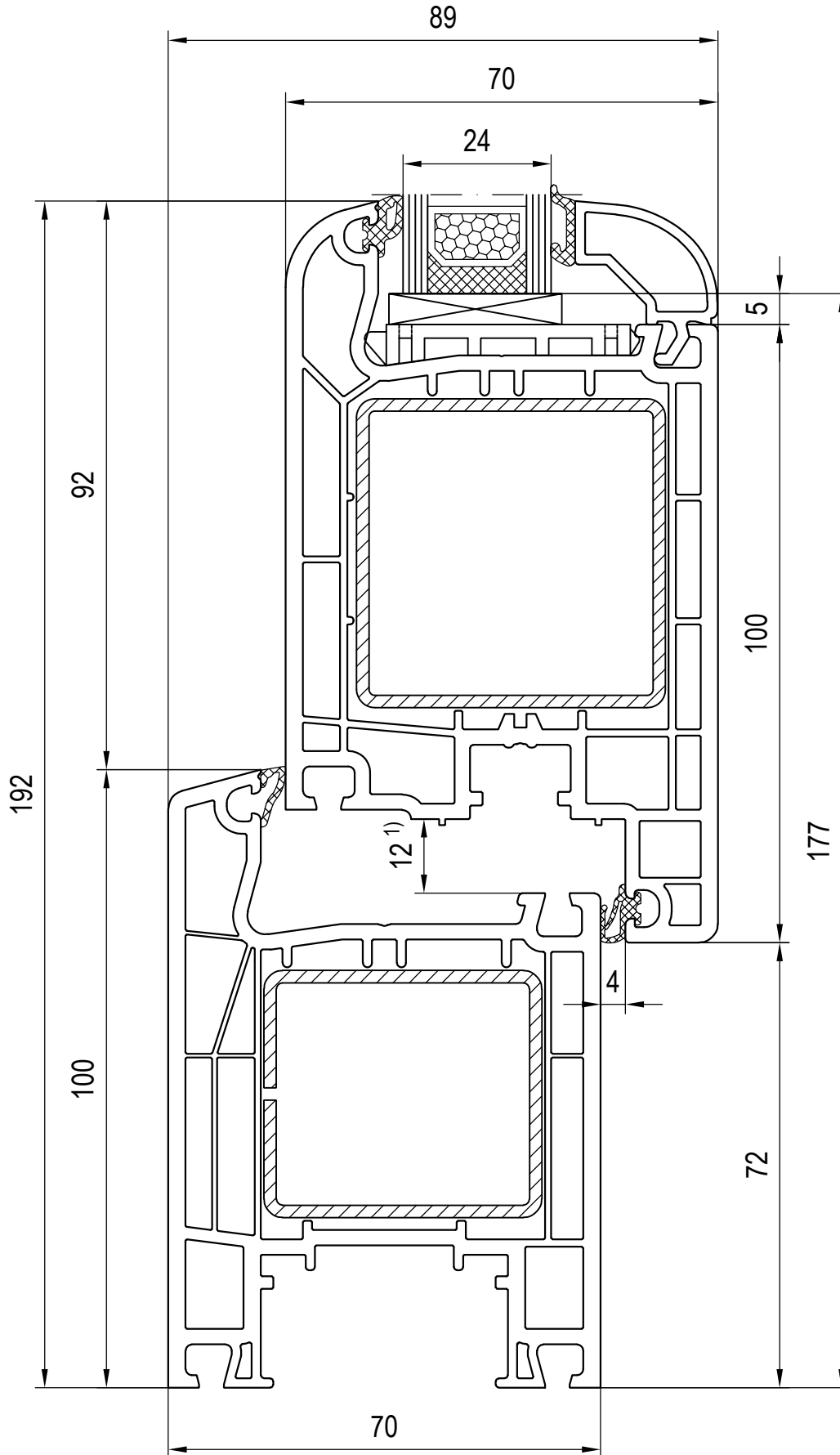
03\_D\_01\_4\*

en May be subject to change and errors excepted!

Combinations: frame - sash  
120846/120876 Glazing bead

Frame 140x81  
Sash 140x35





1) Rebate clearance of main entrance door on left and right side = 13 mm

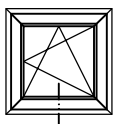
Scale 1:1

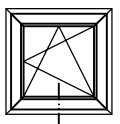
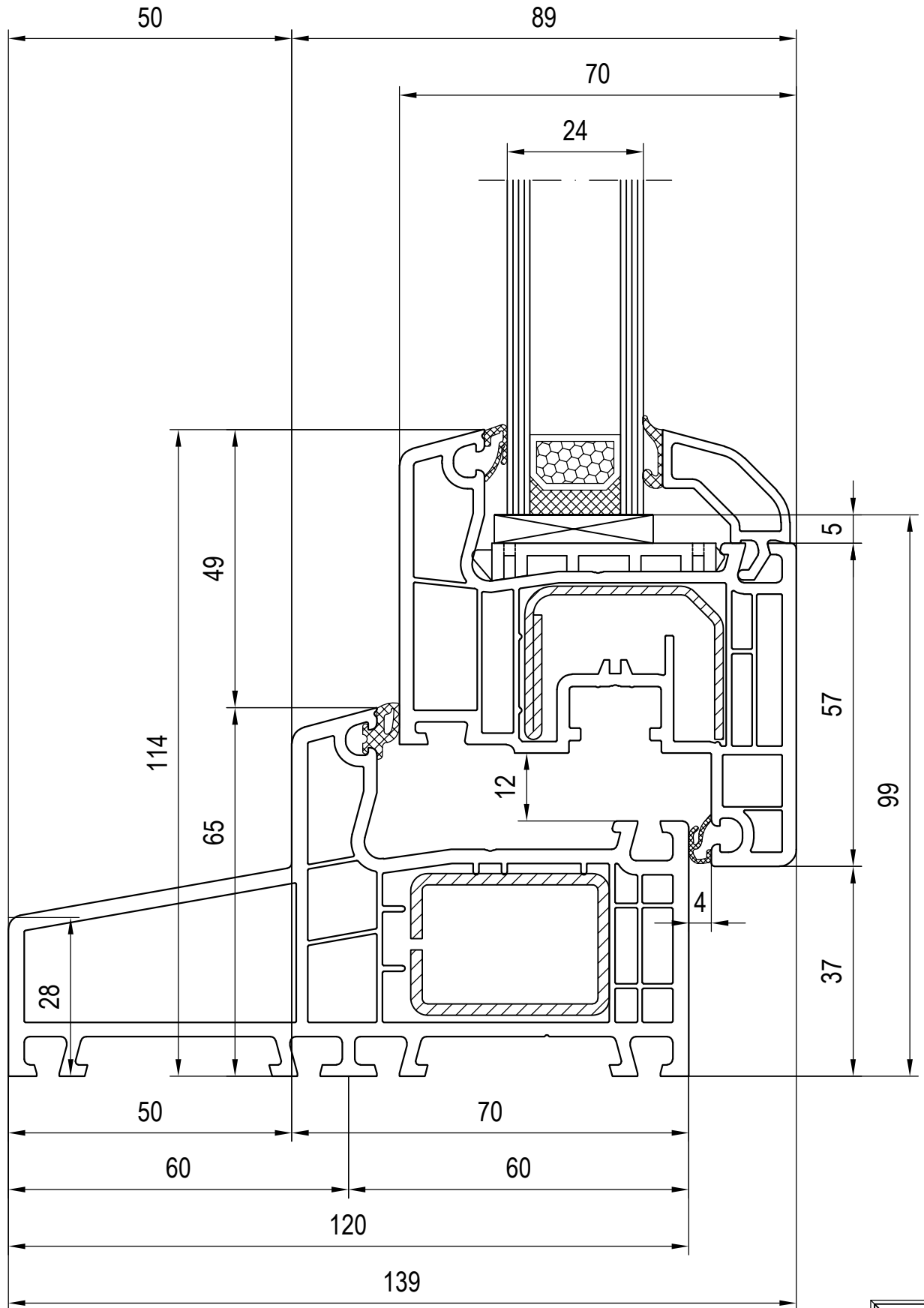
03\_D\_01\_4\*

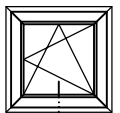
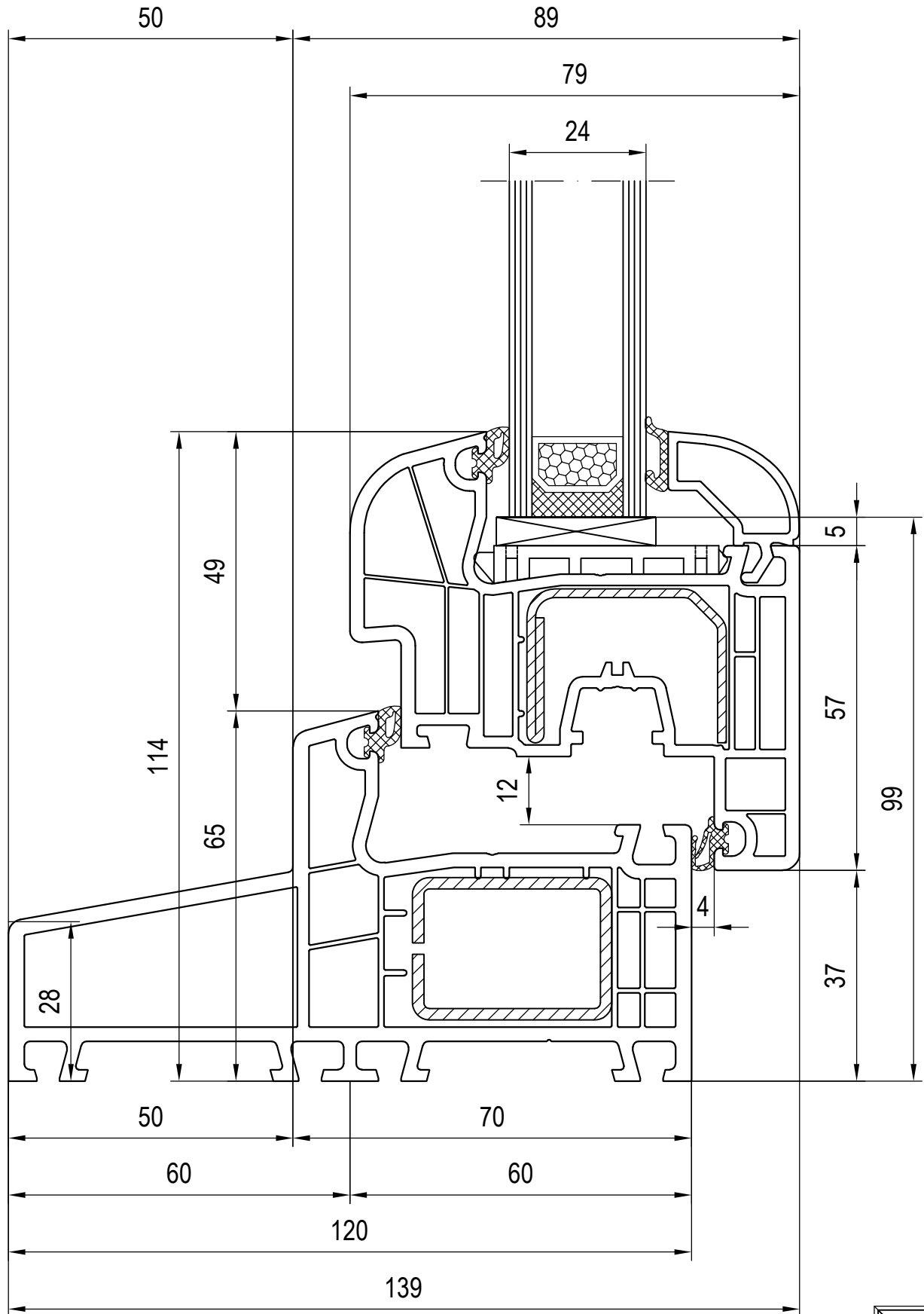
en May be subject to change and errors excepted!

Combinations: frame - sash  
**120850/120880 Glazing bead**

**Frame 140x81**  
**Sash 140x38**







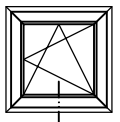
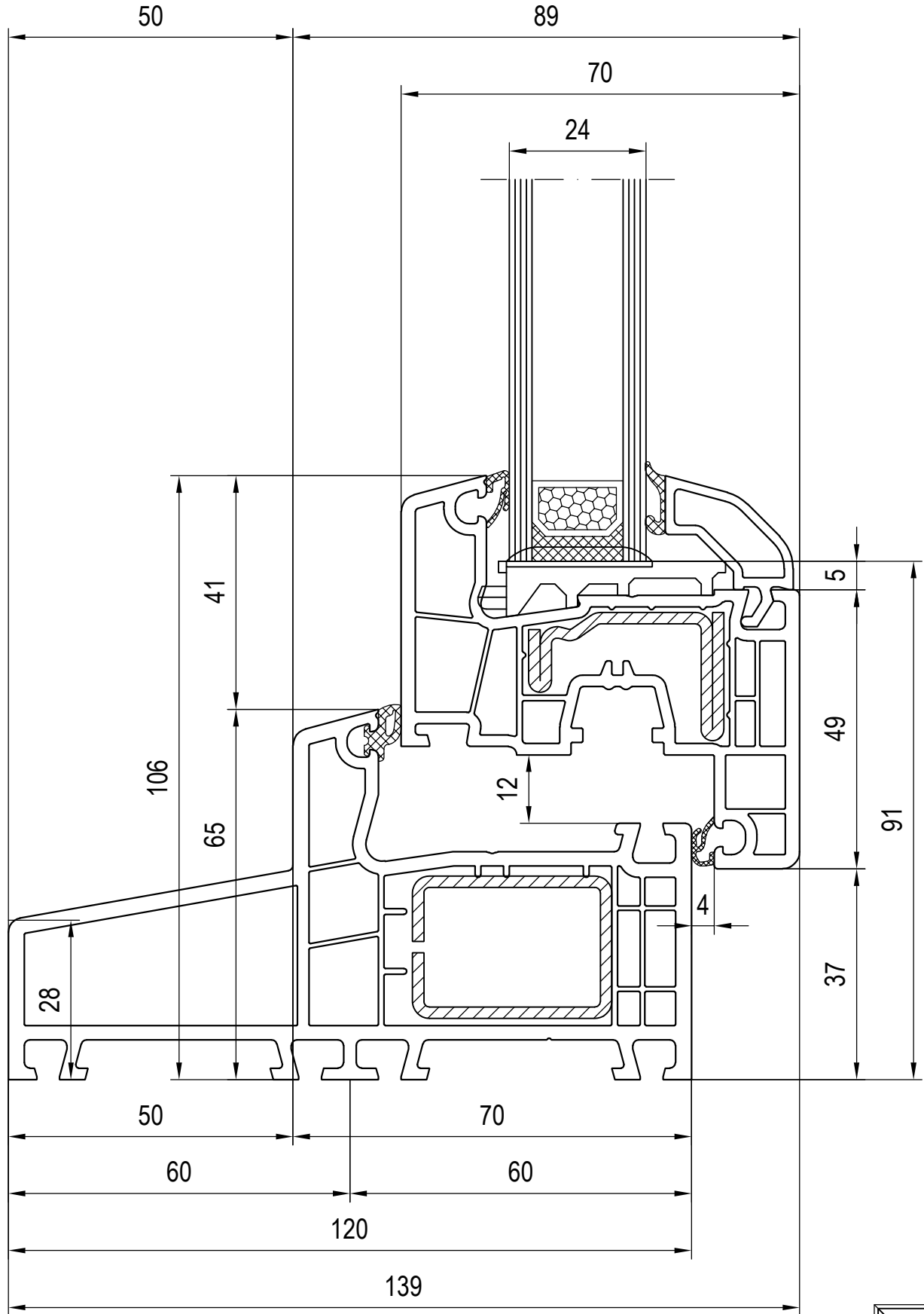
Scale 1:1

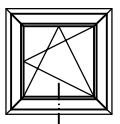
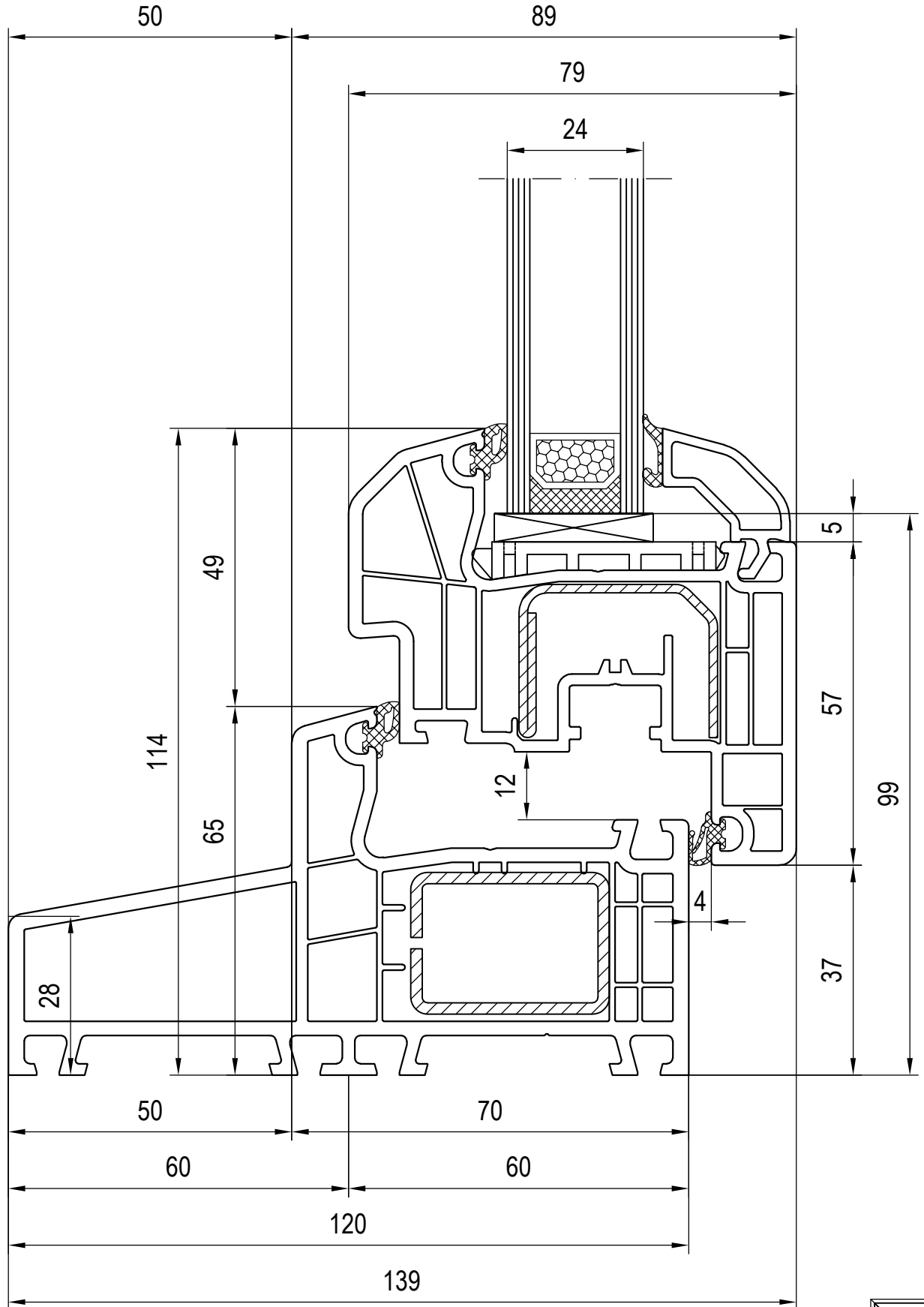
03\_D\_01\_4\*

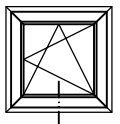
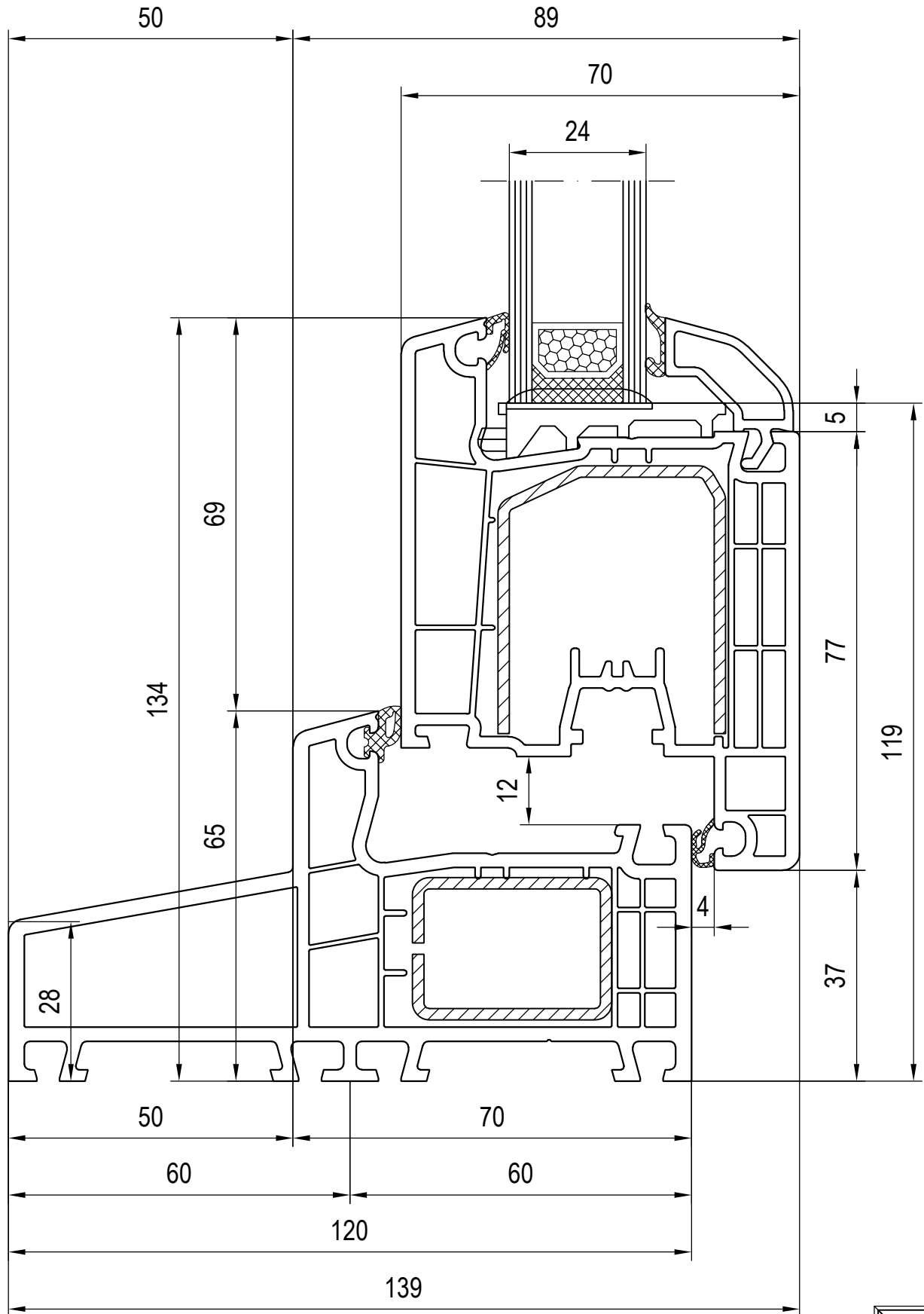
en May be subject to change and errors excepted!

Combinations: frame - sash  
**120850/120880 Glazing bead**

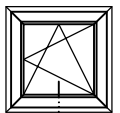
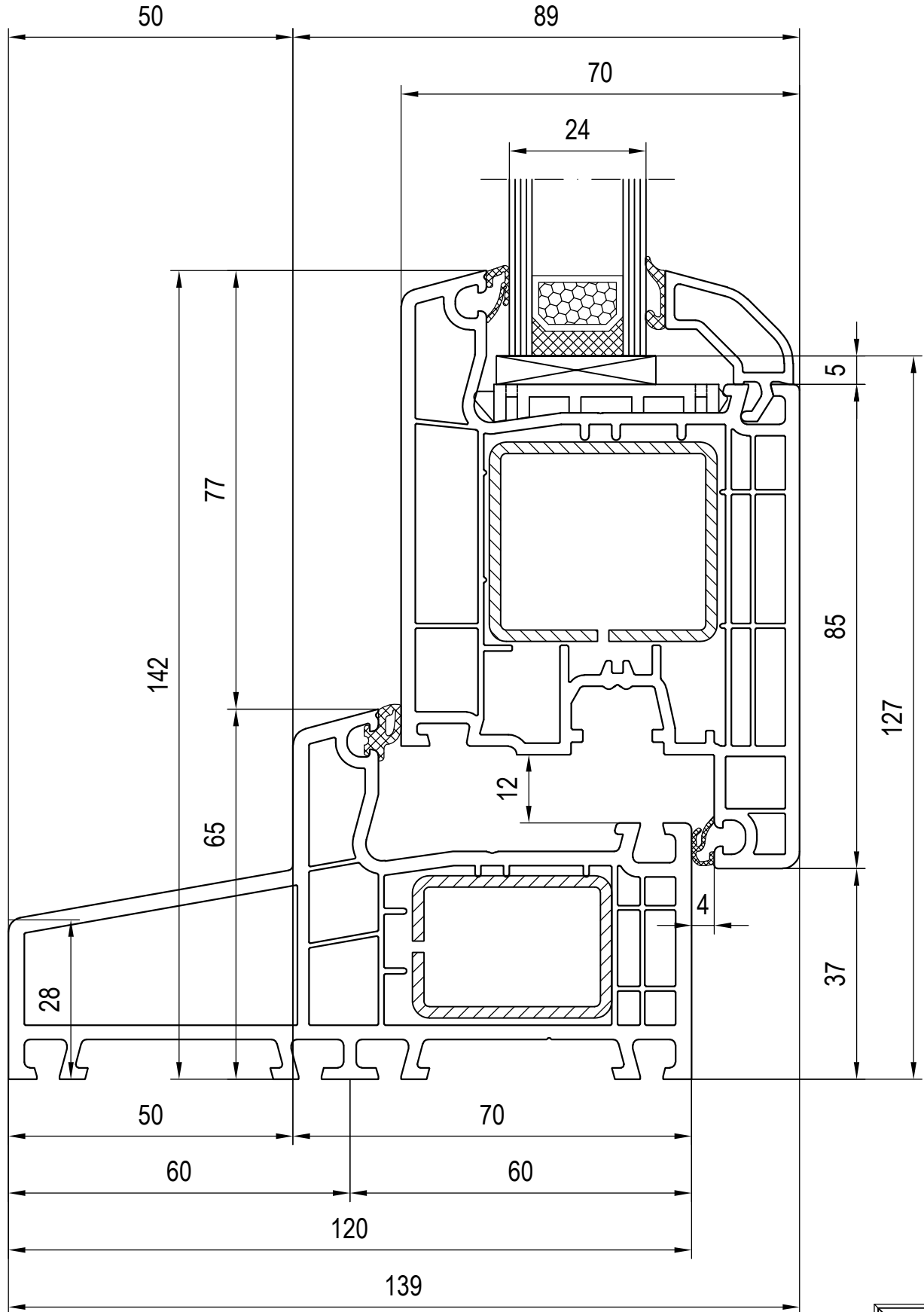
**Frame 140x91**  
**Sash 140x22**

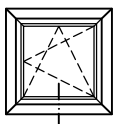
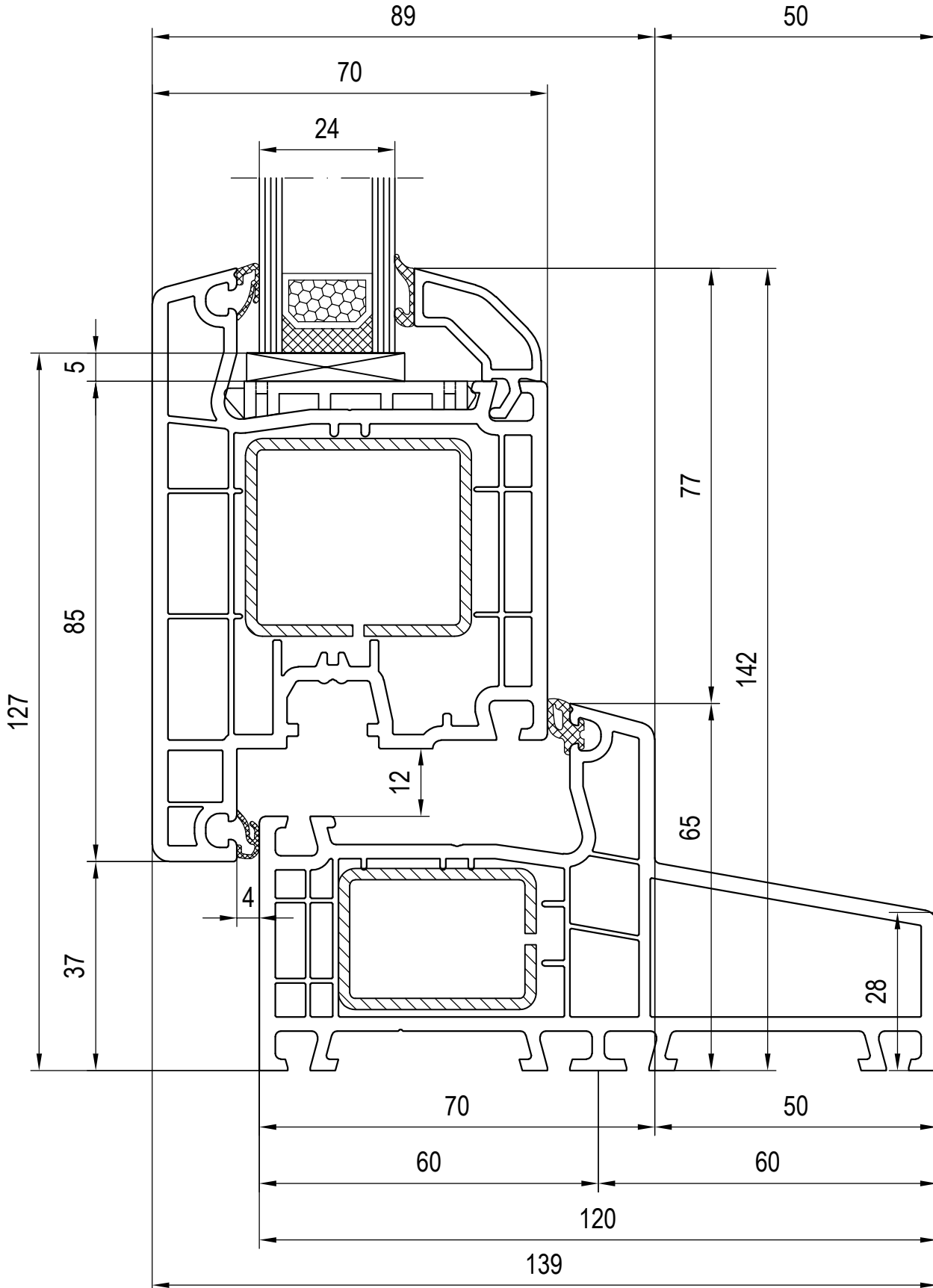


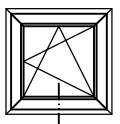
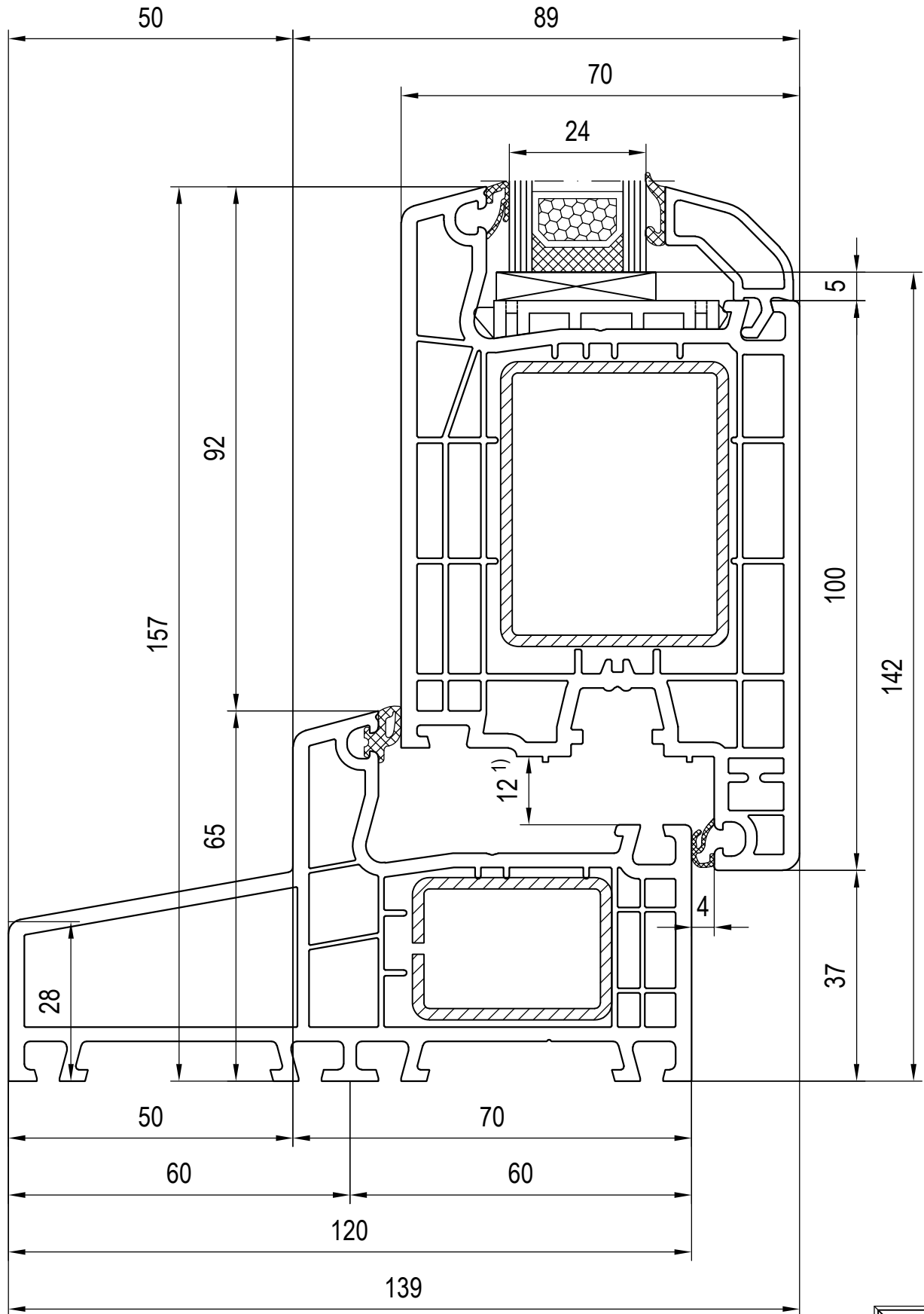












1) Rebate clearance of main entrance door on left and right side = 13 mm

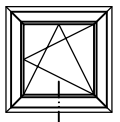
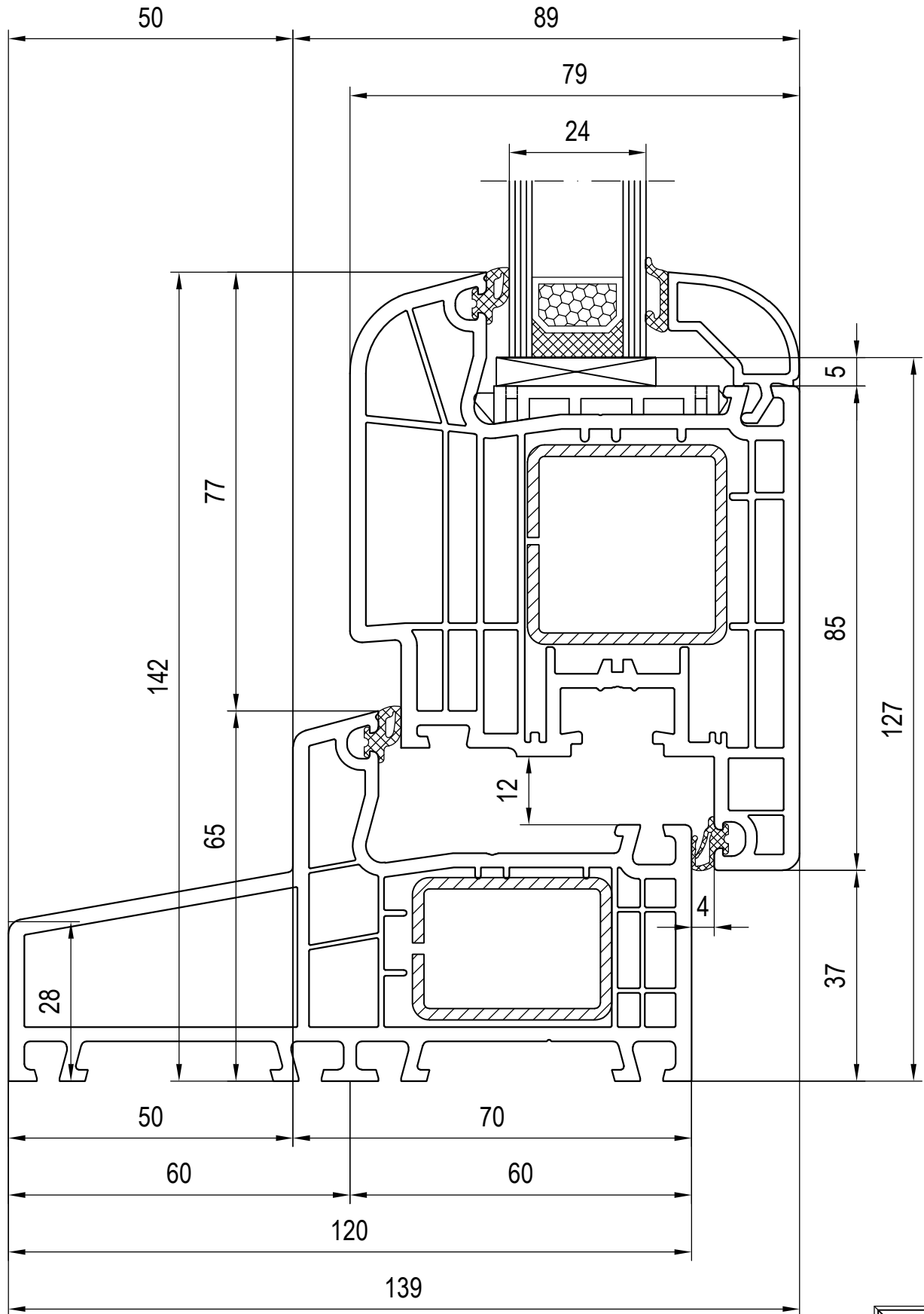
Scale 1:1

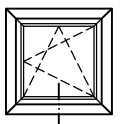
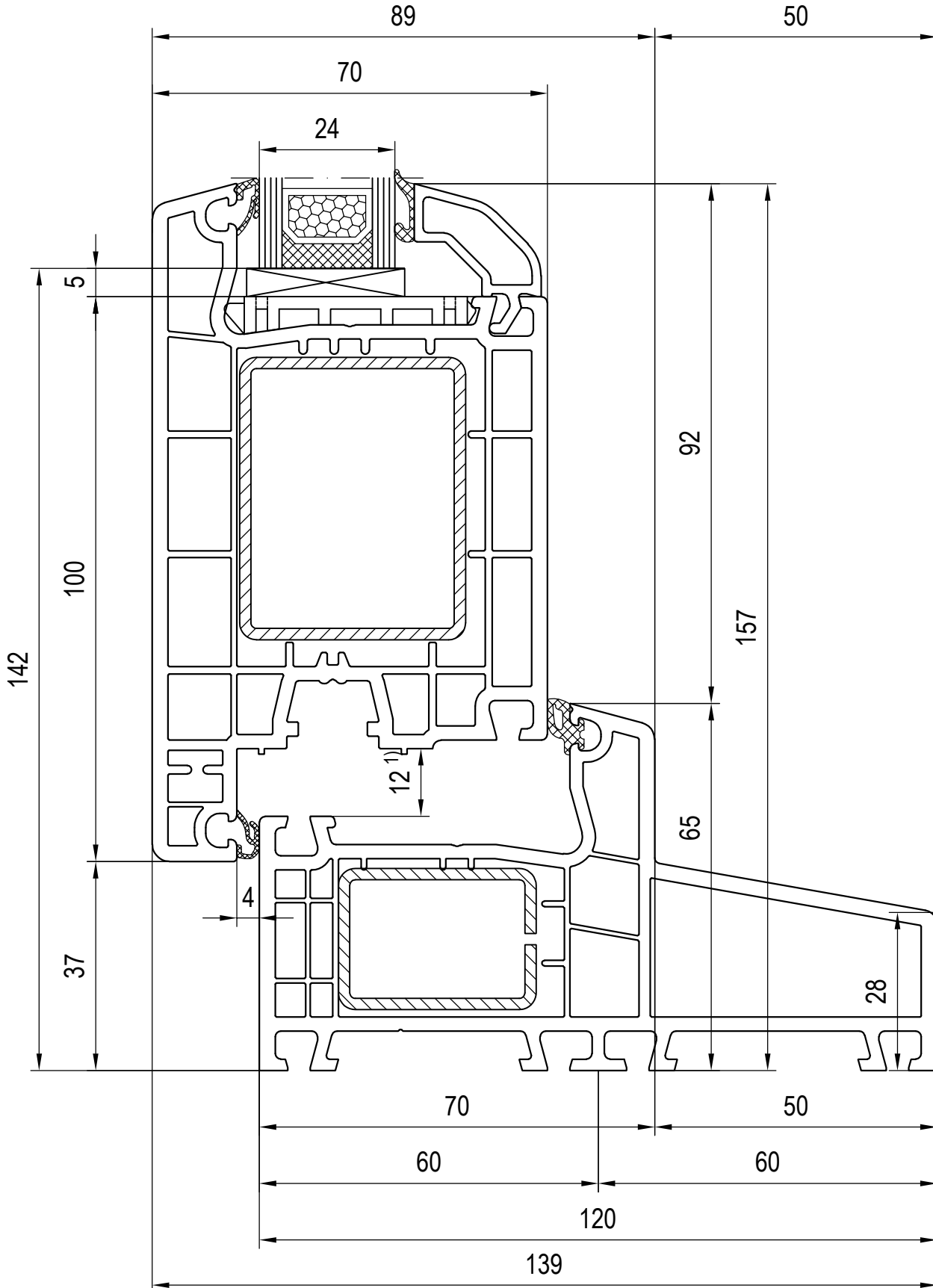
03\_D\_01\_4\*

en May be subject to change and errors excepted!

Combinations: frame - sash  
120846/120876 Glazing bead

Frame 140x91  
Sash 140x33





1) Rebate clearance of main entrance door on left and right side = 13 mm

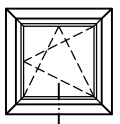
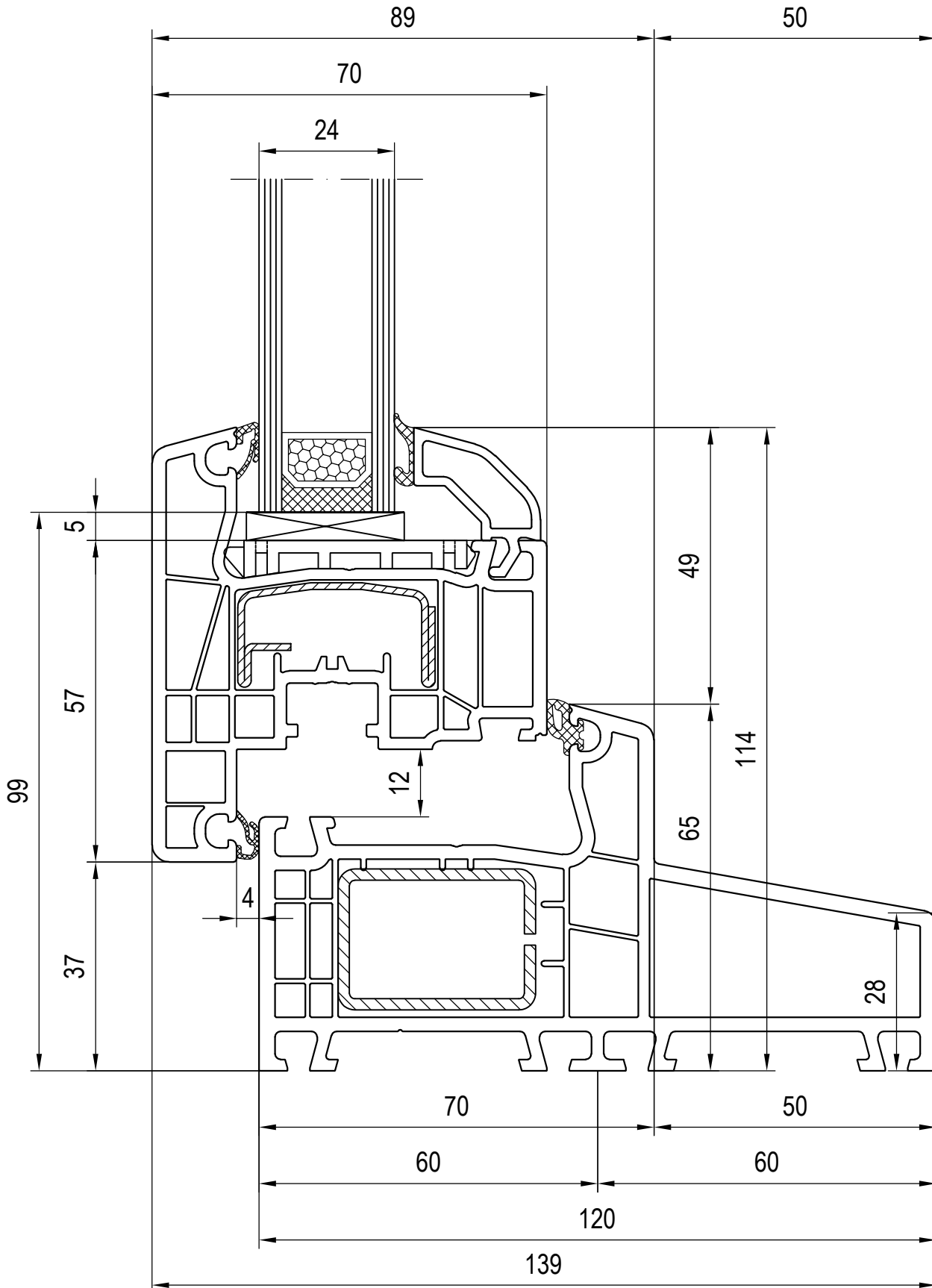
Scale 1:1

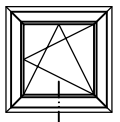
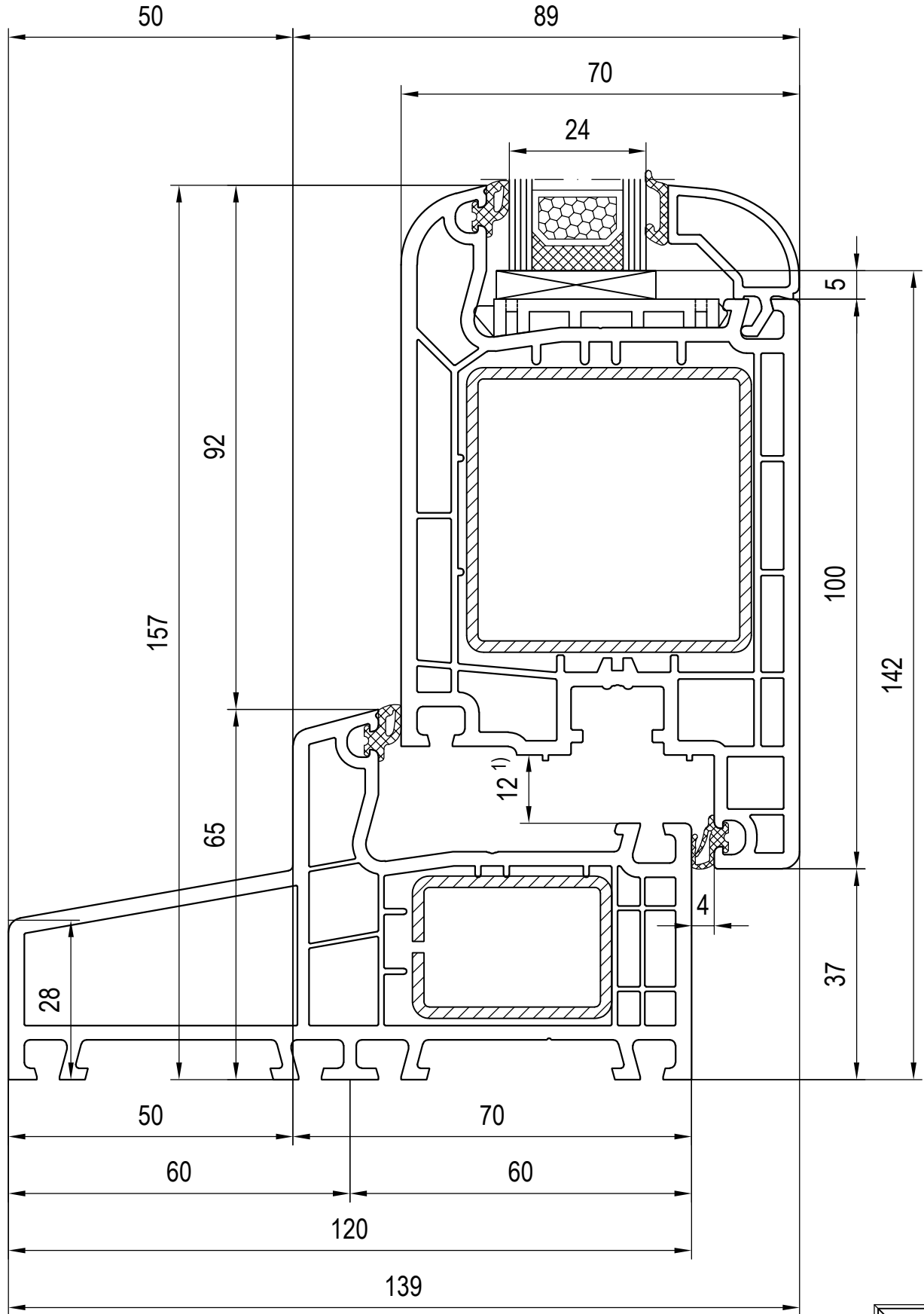
03\_D\_01\_4\*

en May be subject to change and errors excepted!

Combinations: frame - sash  
**120846/120876 Glazing bead**

**Frame 140x91**  
**Sash 140x35**





1) Rebate clearance of main entrance door on left and right side = 13 mm

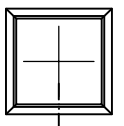
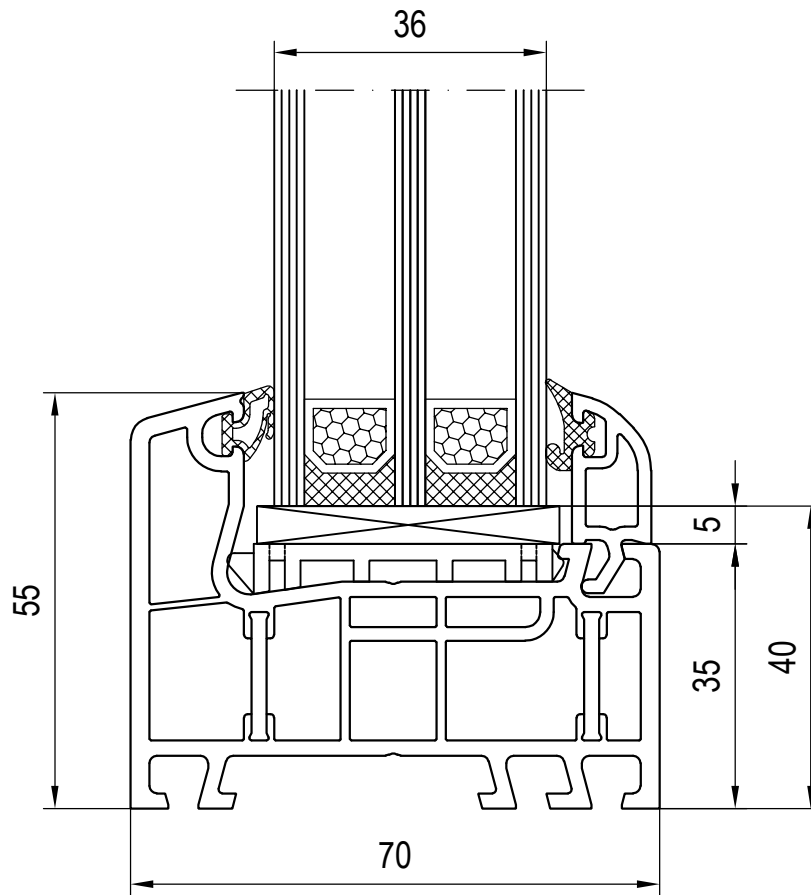
Scale 1:1

03\_D\_01\_4\*

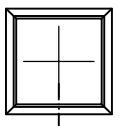
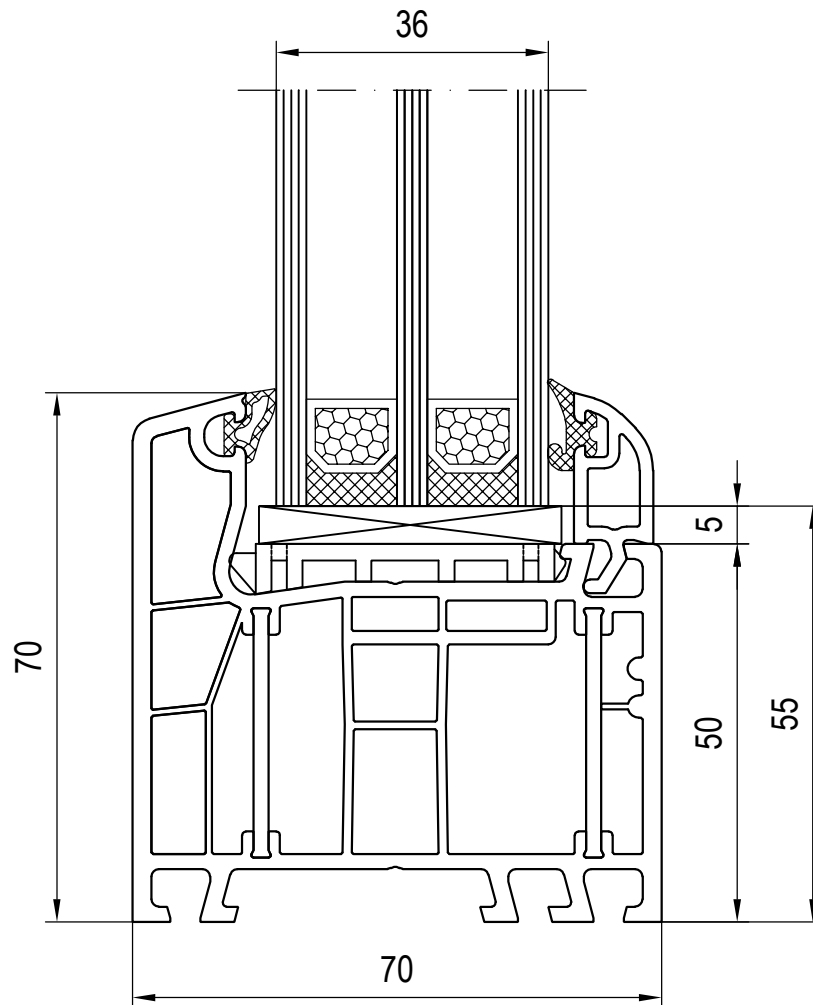
en May be subject to change and errors excepted!

Combinations: frame - sash  
120850/120880 Glazing bead

Frame 140x91  
Sash 140x38







Scale 1:1

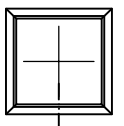
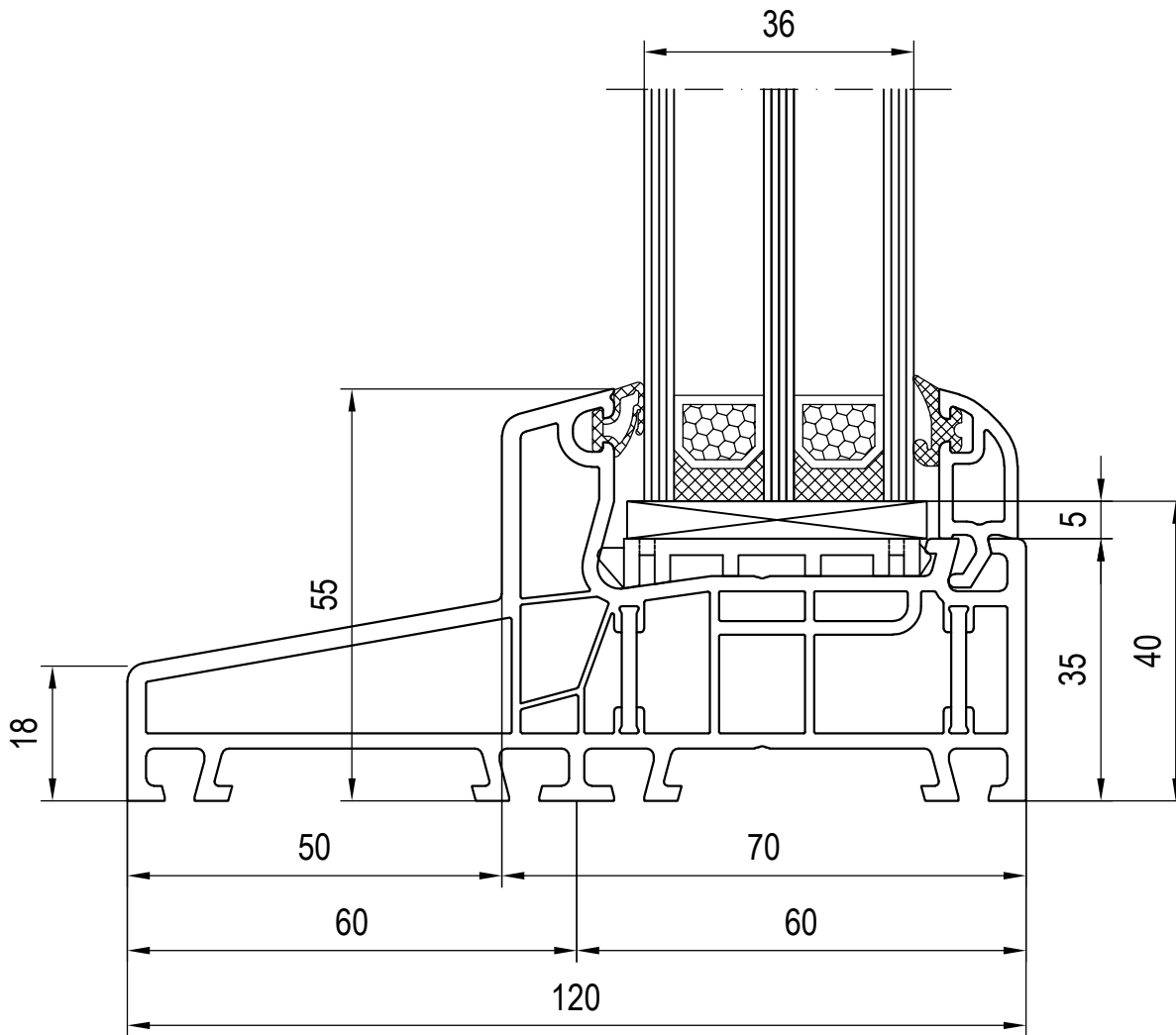
03\_E\_01\_4\*

en May be subject to change and errors excepted!

Combinations: sash - fixed glazing  
120849/120879 Glazing bead

Frame 040x07

-



Scale 1:1

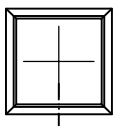
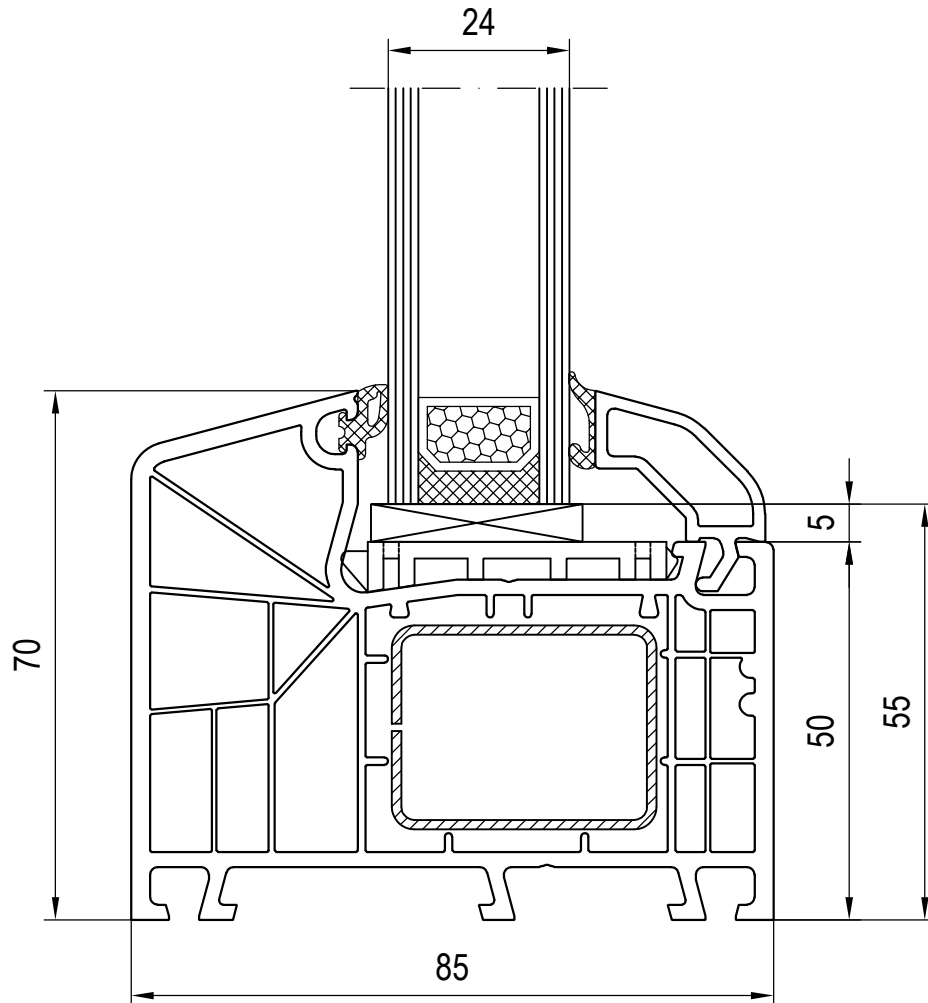
03\_E\_01\_4\*

en May be subject to change and errors excepted!

Combinations: sash - fixed glazing  
120849/120879 Glazing bead

Frame 040x92

-



Scale 1:1

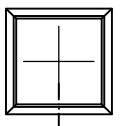
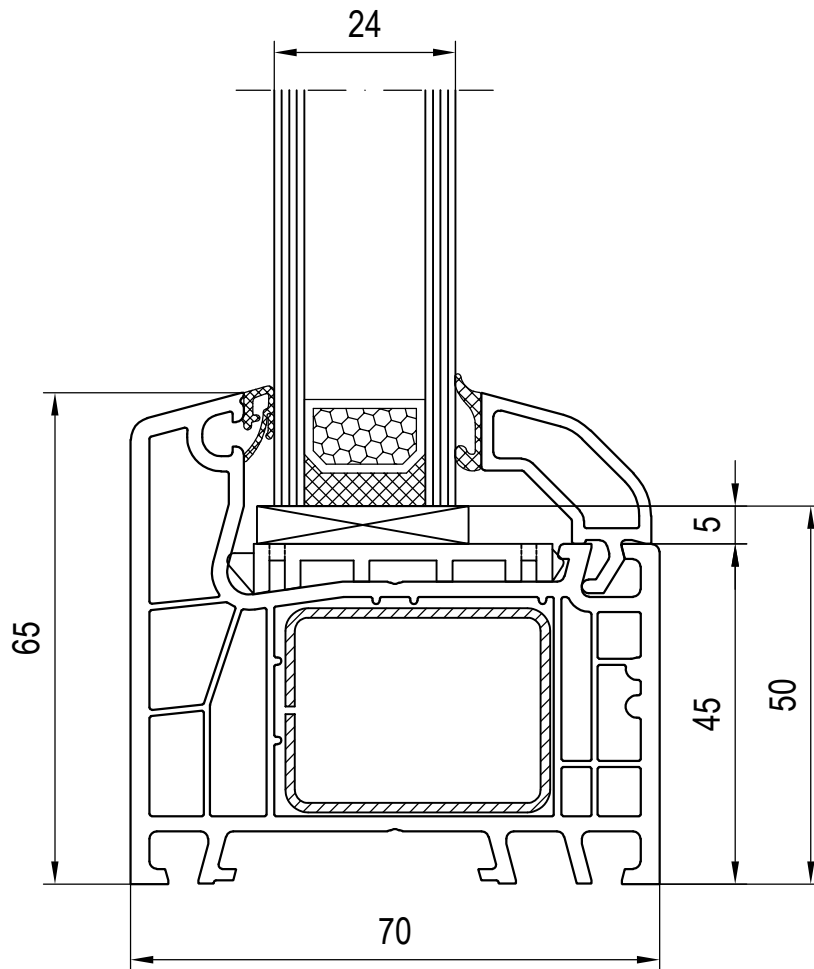
03\_E\_01\_4\*

en May be subject to change and errors excepted!

Combinations: sash - fixed glazing  
120846/120876 Glazing bead

Frame 140x00

-



Scale 1:1

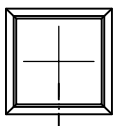
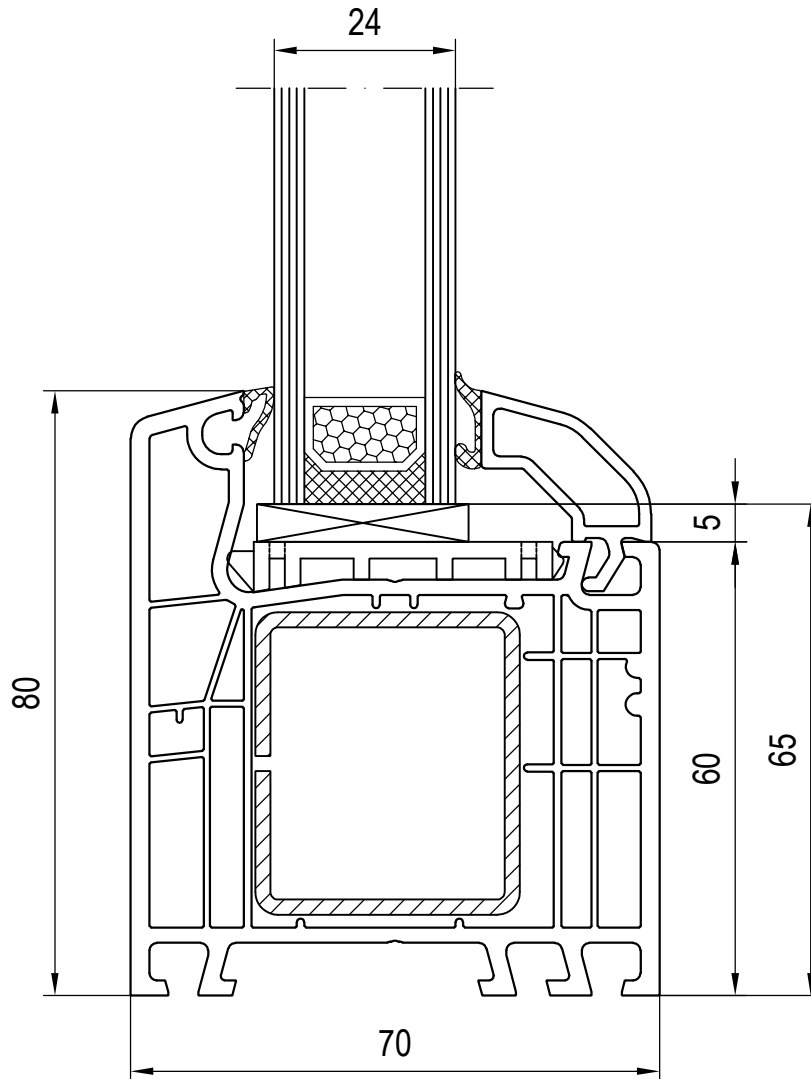
03\_E\_01\_4\*

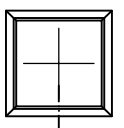
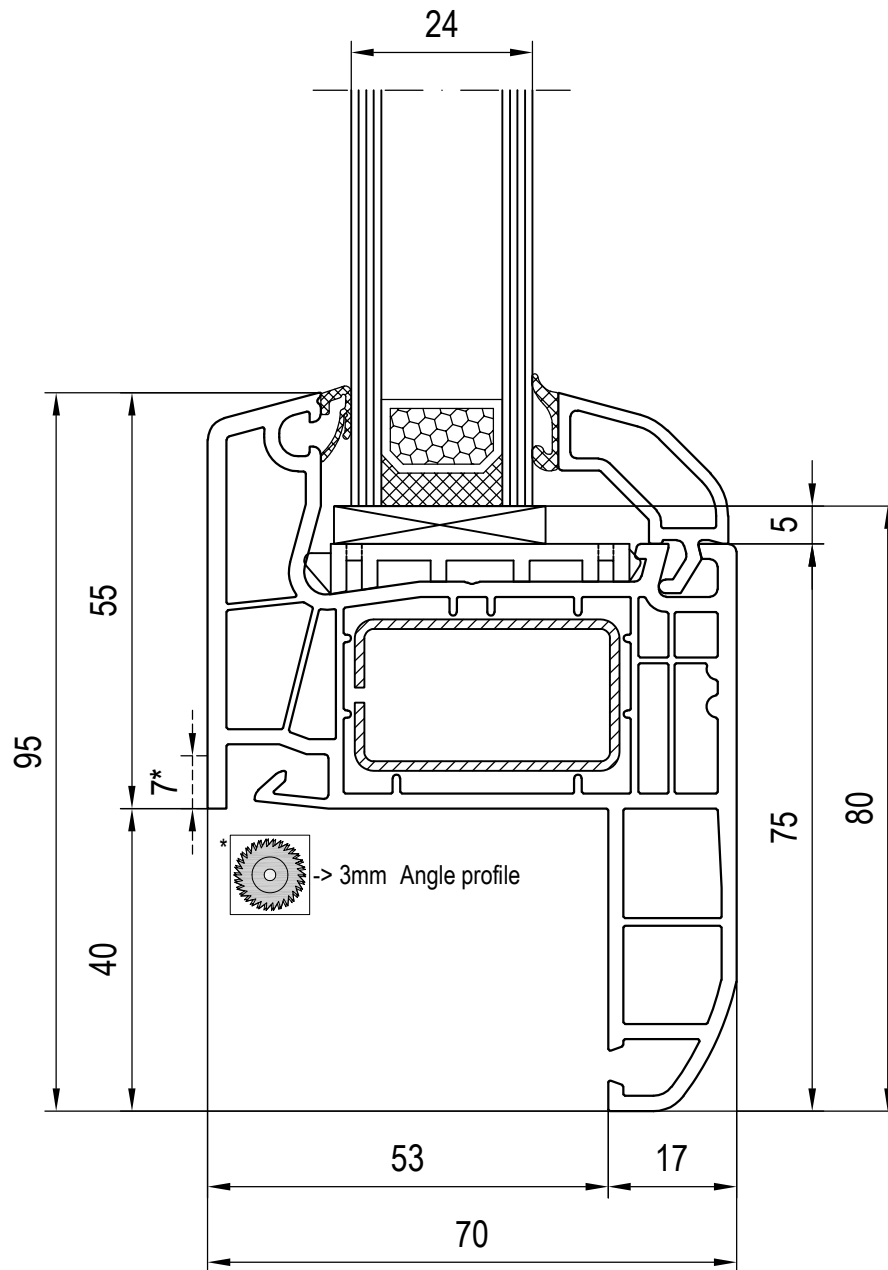
en May be subject to change and errors excepted!

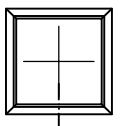
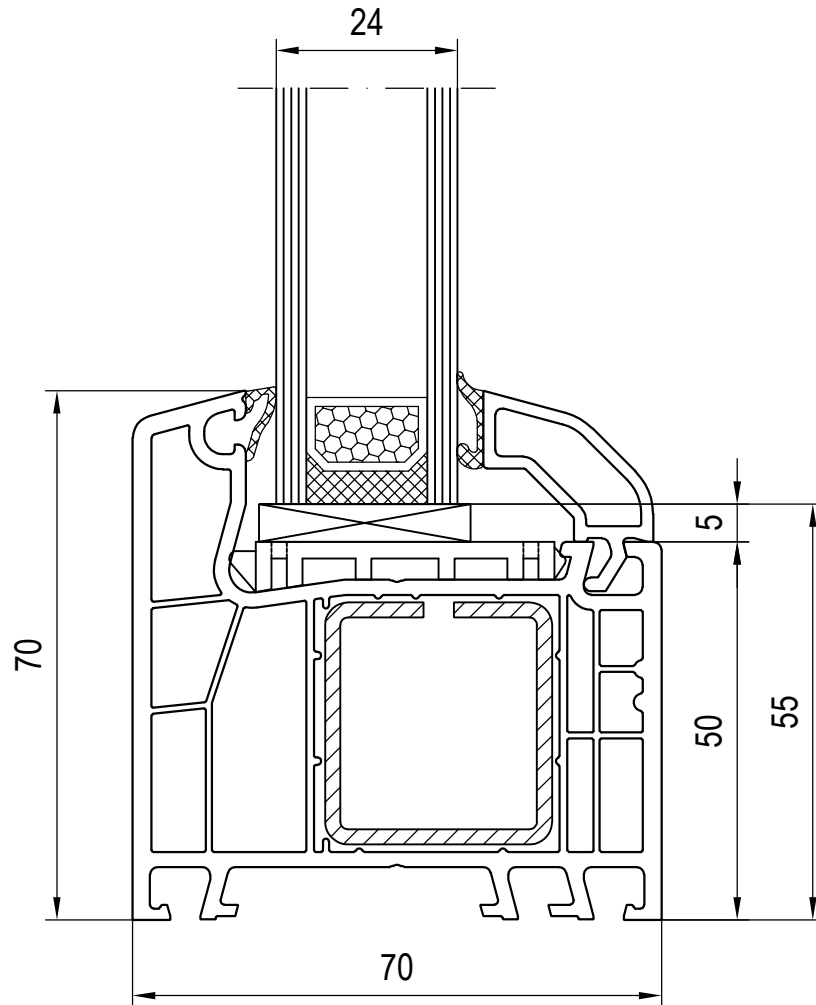
Combinations: sash - fixed glazing  
120846/120876 Glazing bead

Frame 140x01

-







Scale 1:1

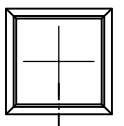
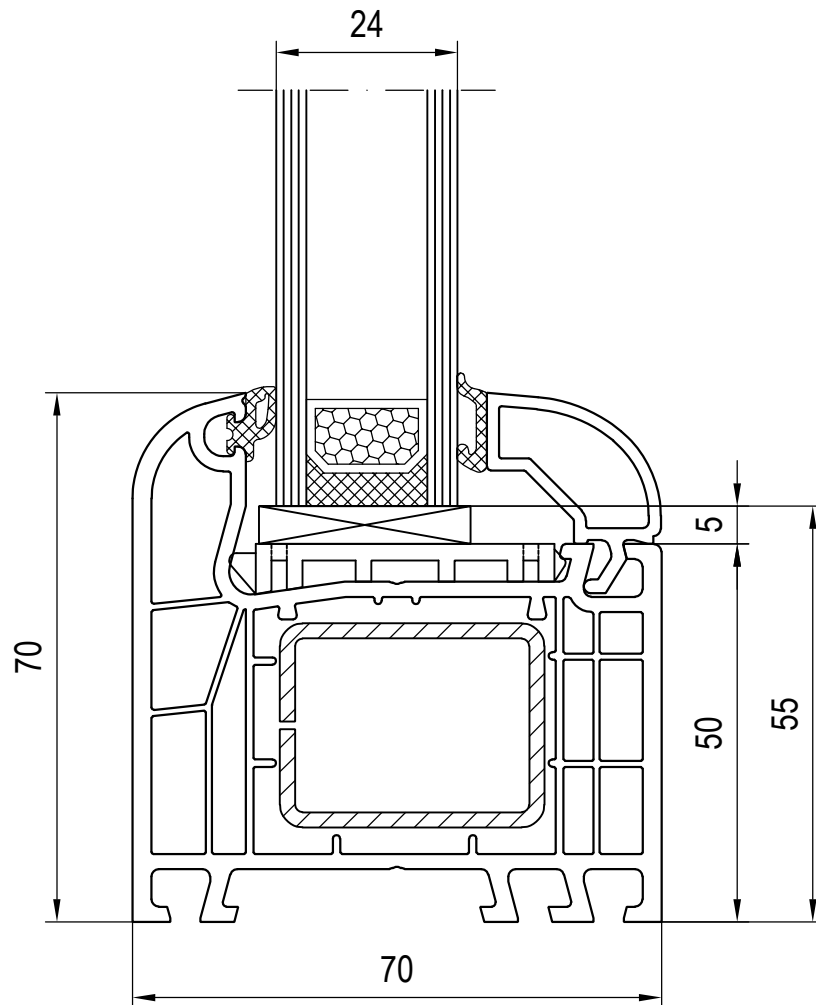
03\_E\_01\_4\*

en May be subject to change and errors excepted!

Combinations: sash - fixed glazing  
120846/120876 Glazing bead

Frame 140x07

-



Scale 1:1

03\_E\_01\_4\*

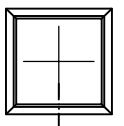
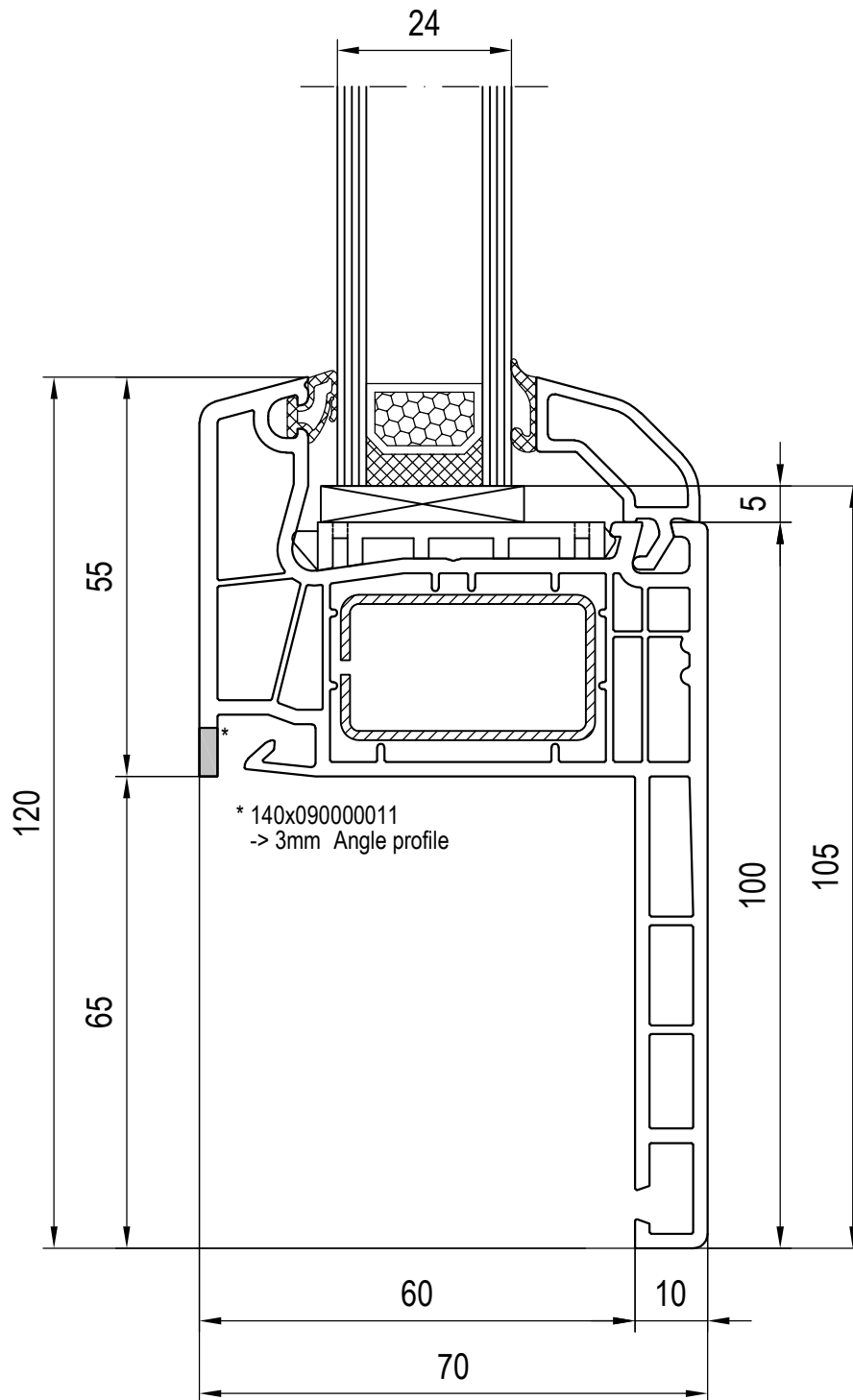
en May be subject to change and errors excepted!

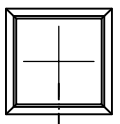
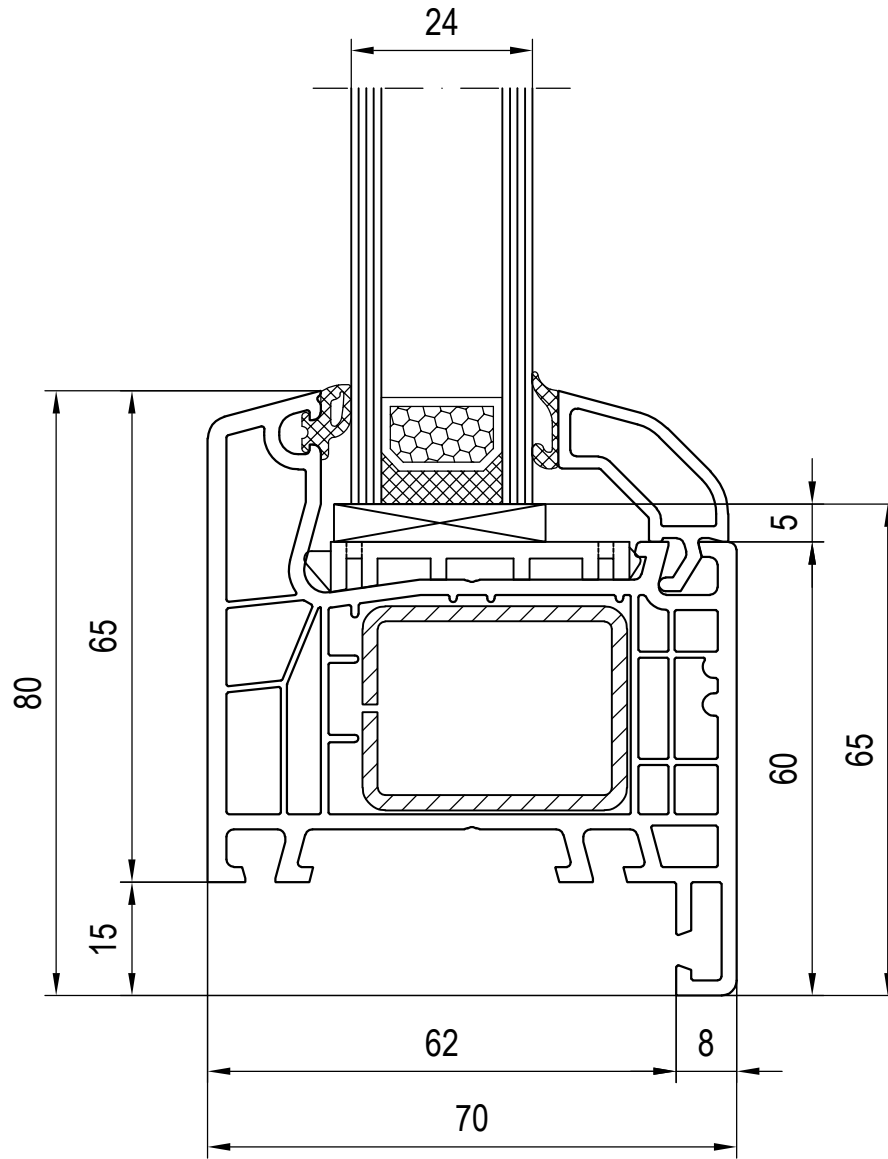
Combinations: sash - fixed glazing  
120850/120880 Glazing bead

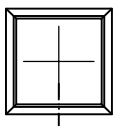
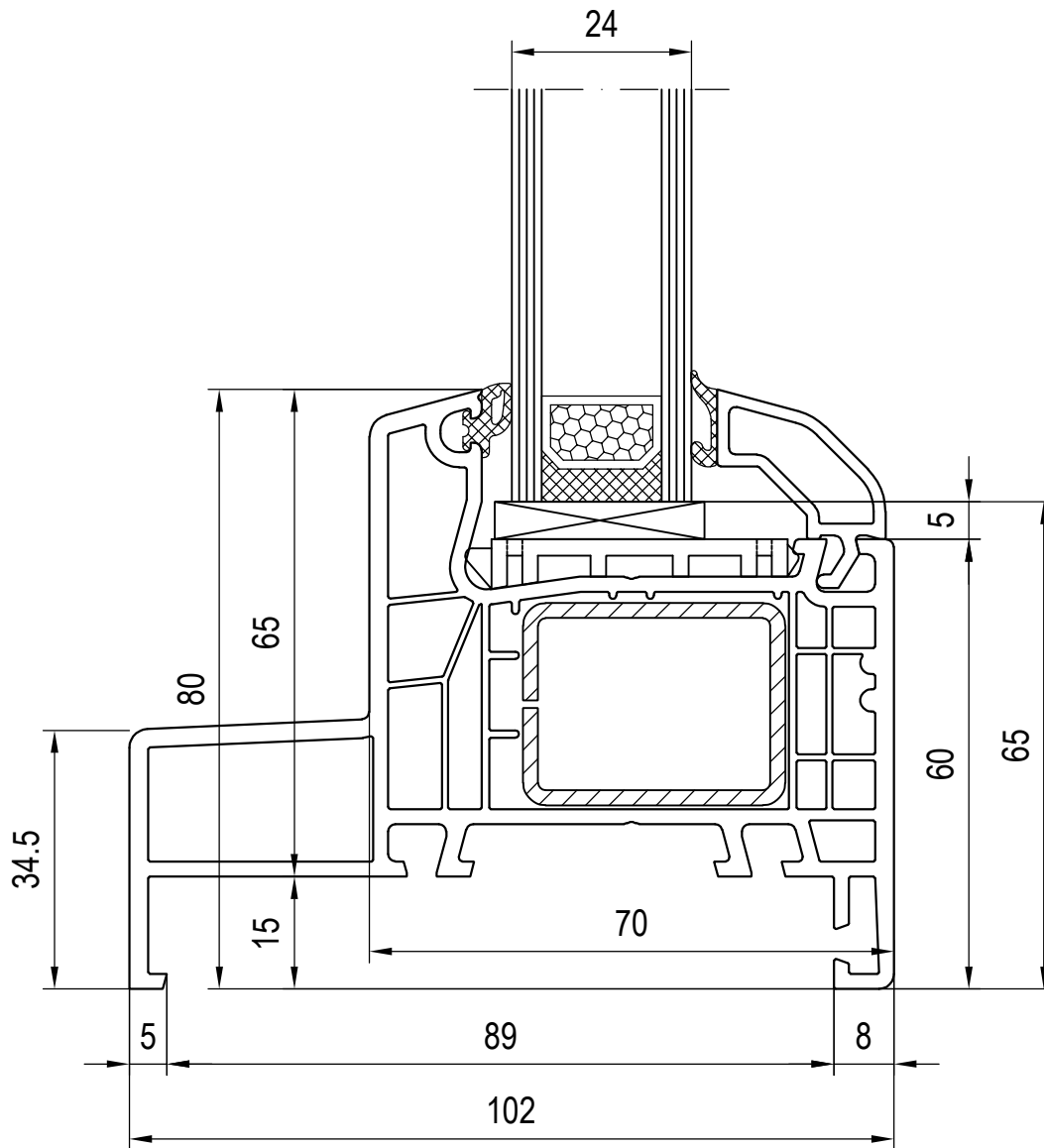
Frame 140x08

-









Scale 1:1

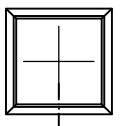
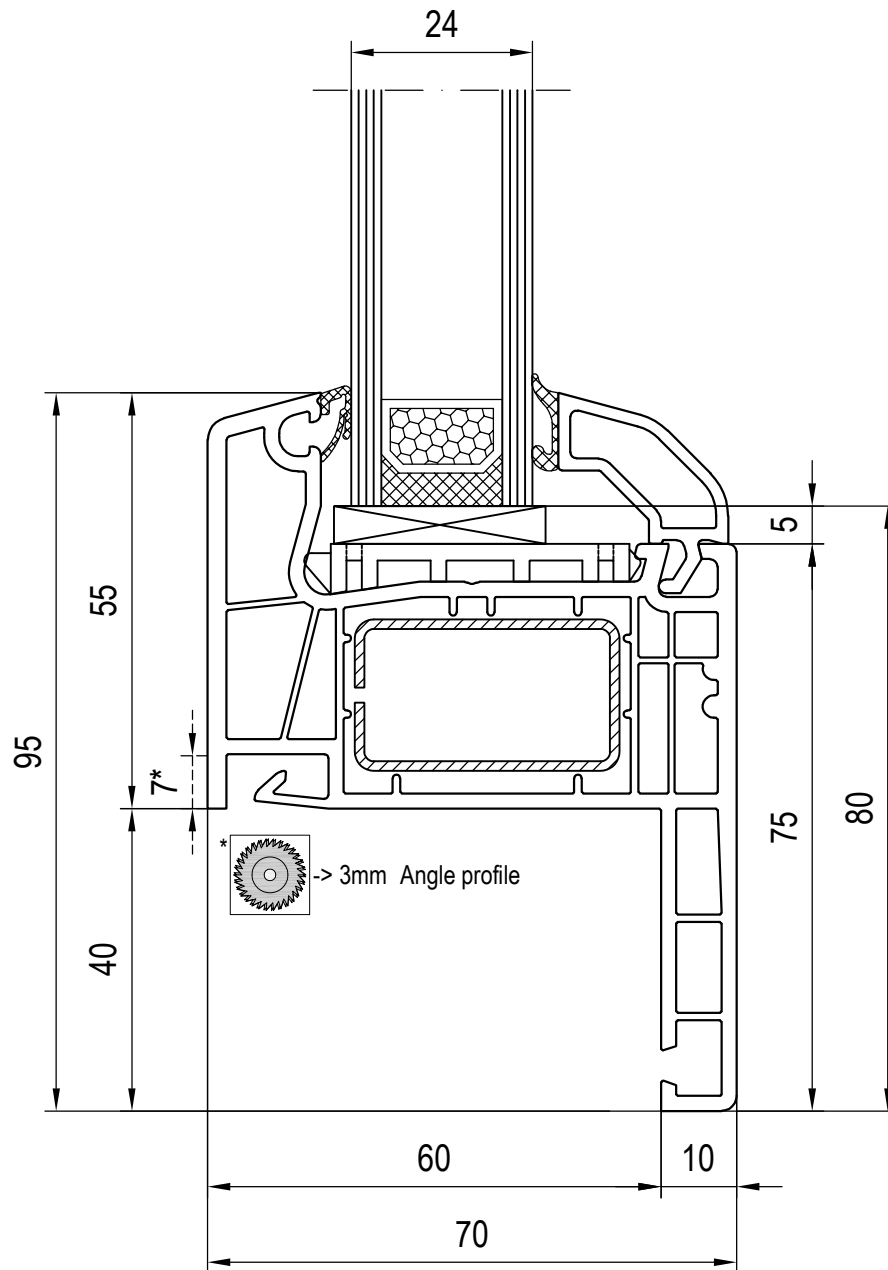
03\_E\_01\_4\*

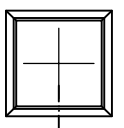
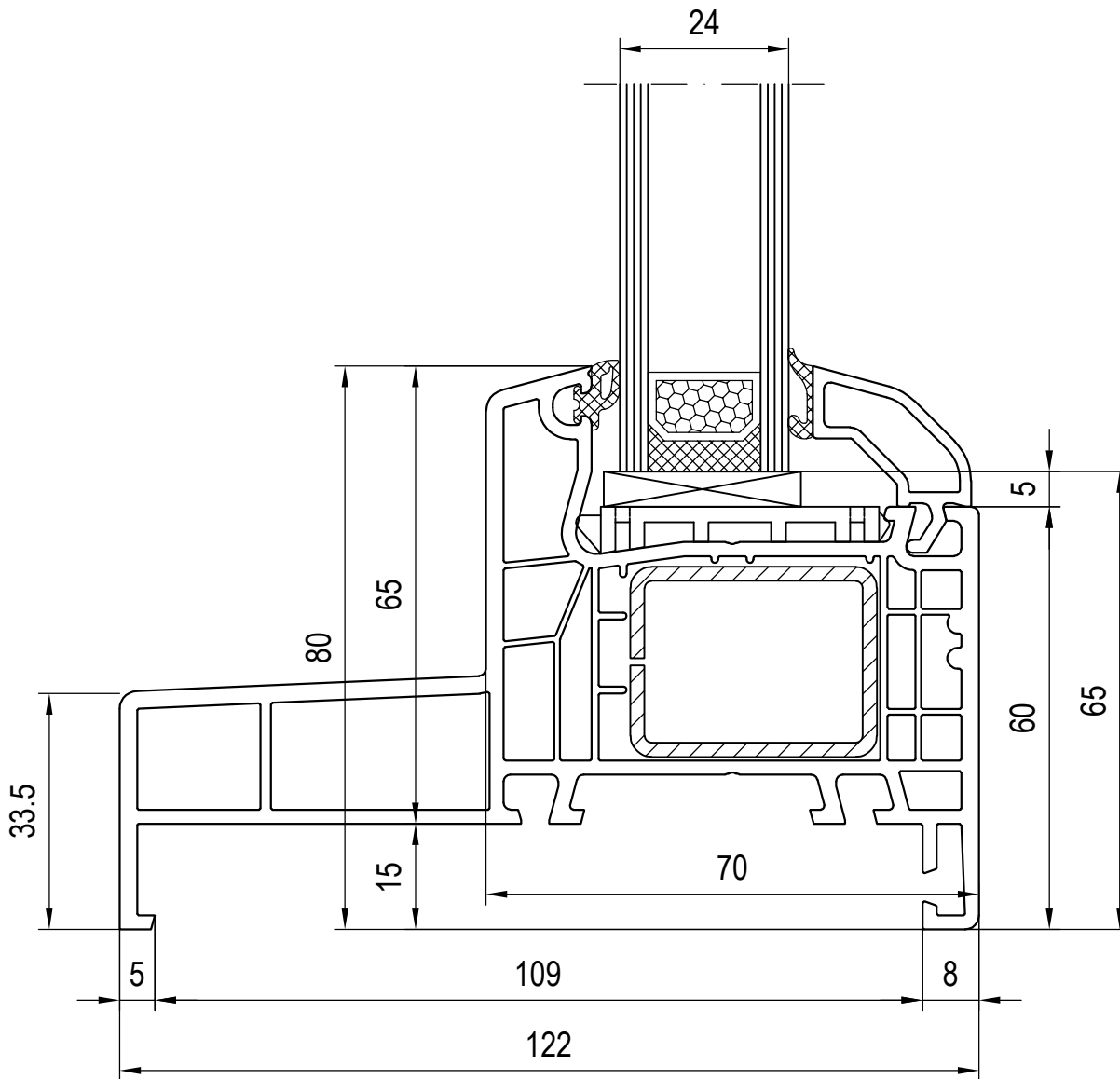
en May be subject to change and errors excepted!

Combinations: sash - fixed glazing  
120846/120876 Glazing bead

Frame 140x14

-





Scale 1:1

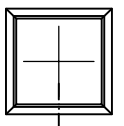
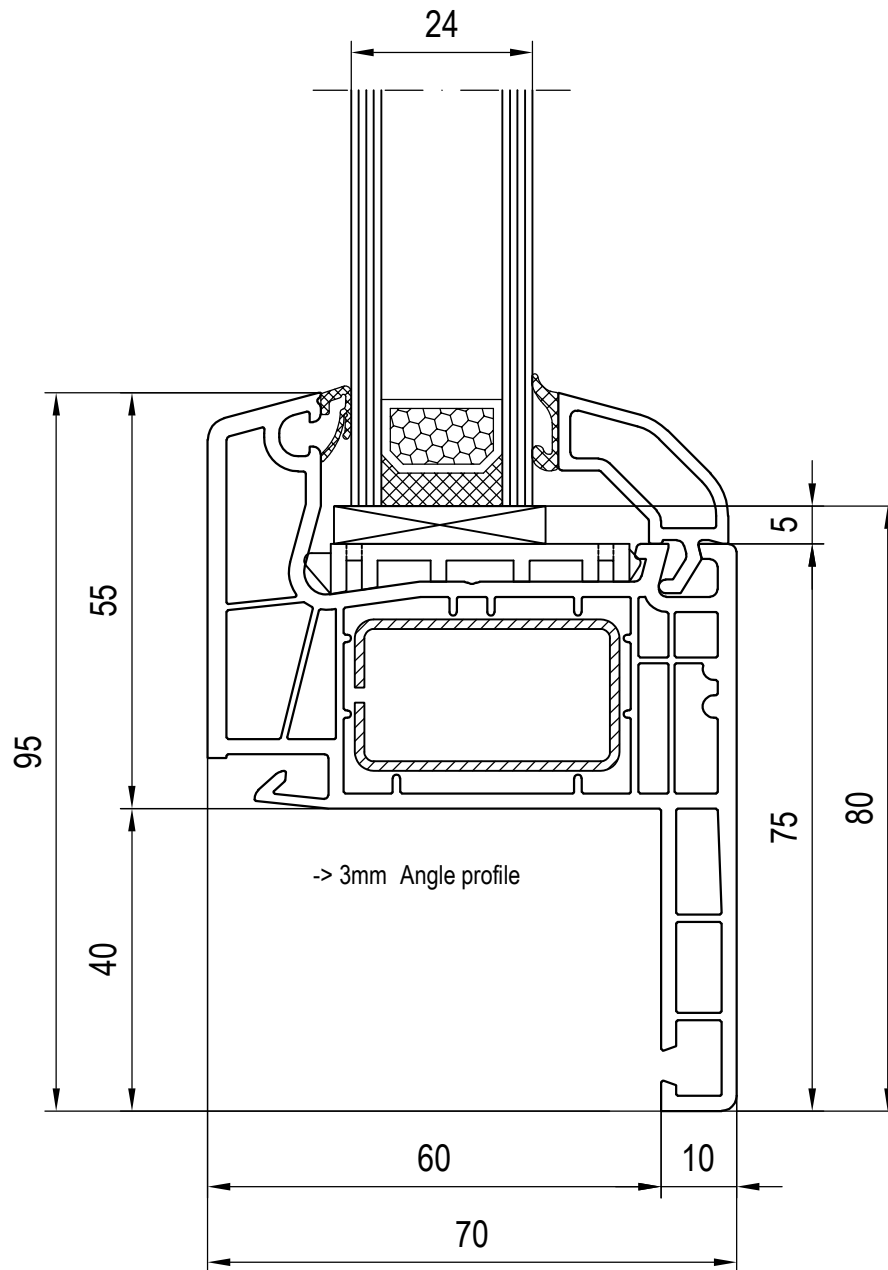
03\_E\_01\_4\*

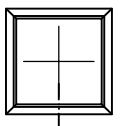
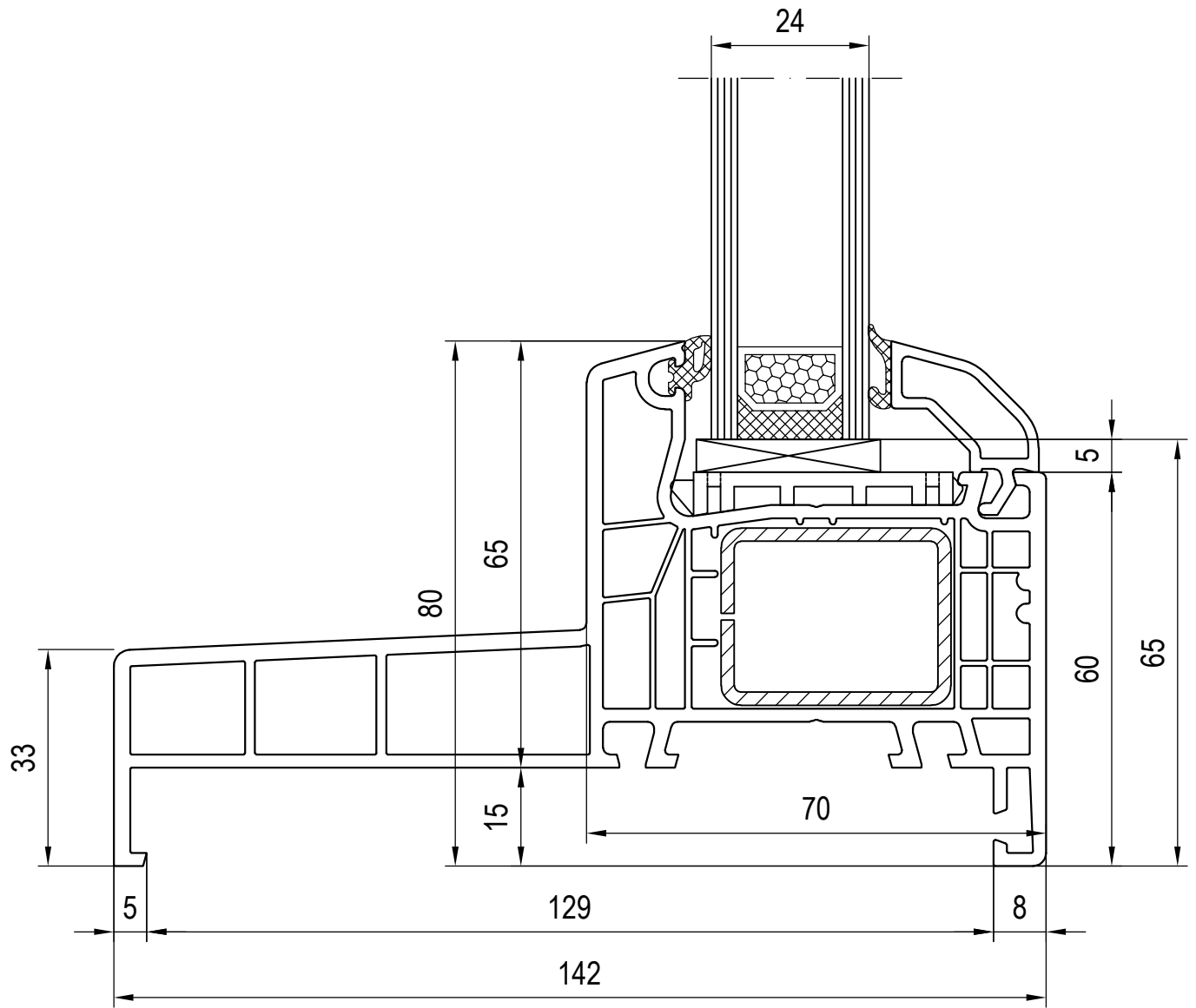
en May be subject to change and errors excepted!

Combinations: sash - fixed glazing  
120846/120876 Glazing bead

Frame 140x16

-





Scale 1:1

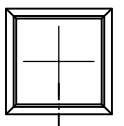
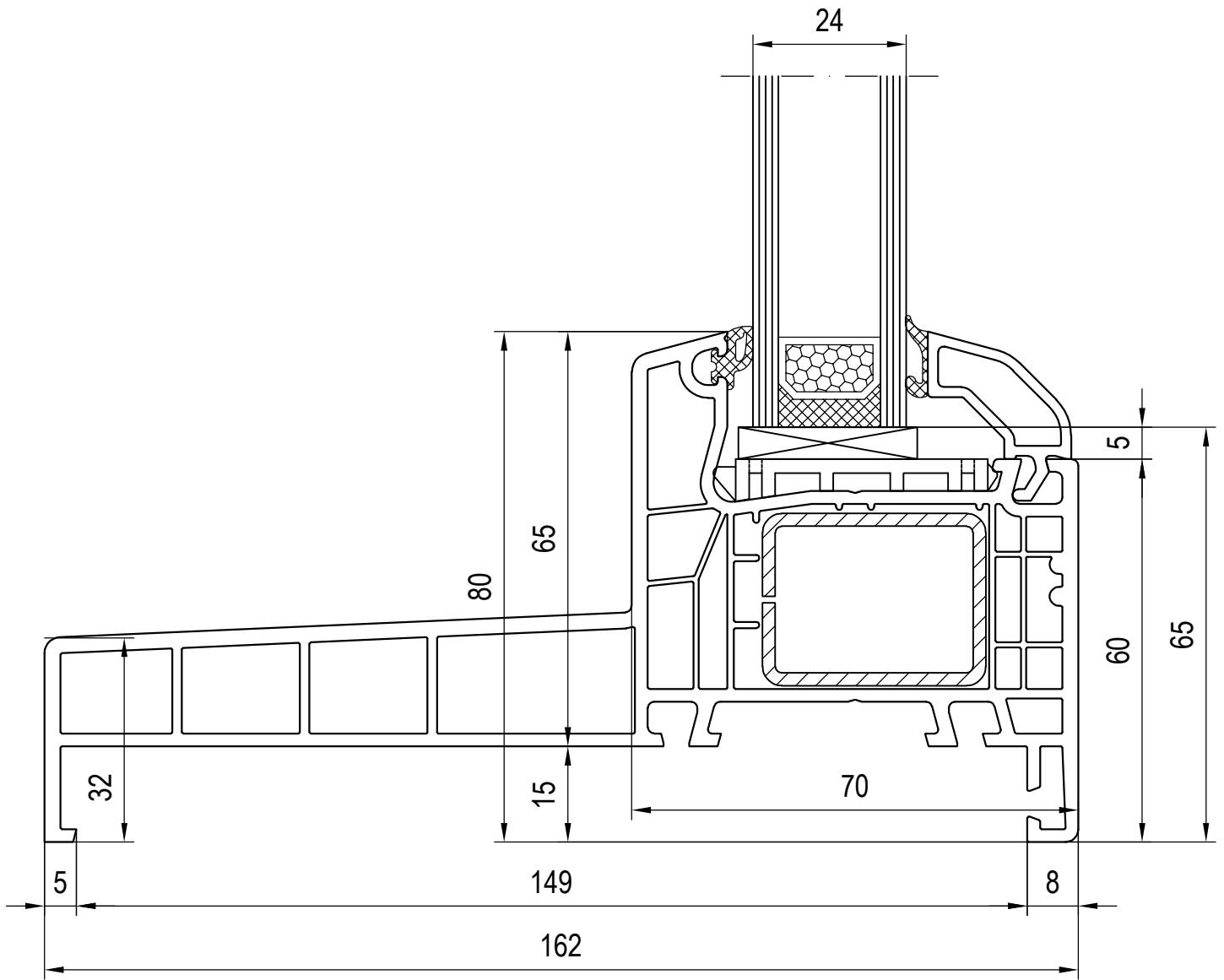
03\_E\_01\_4\*

en May be subject to change and errors excepted!

Combinations: sash - fixed glazing  
120846/120876 Glazing bead

Frame 140x18

-



Scale 1:1

03\_E\_01\_4\*

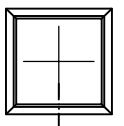
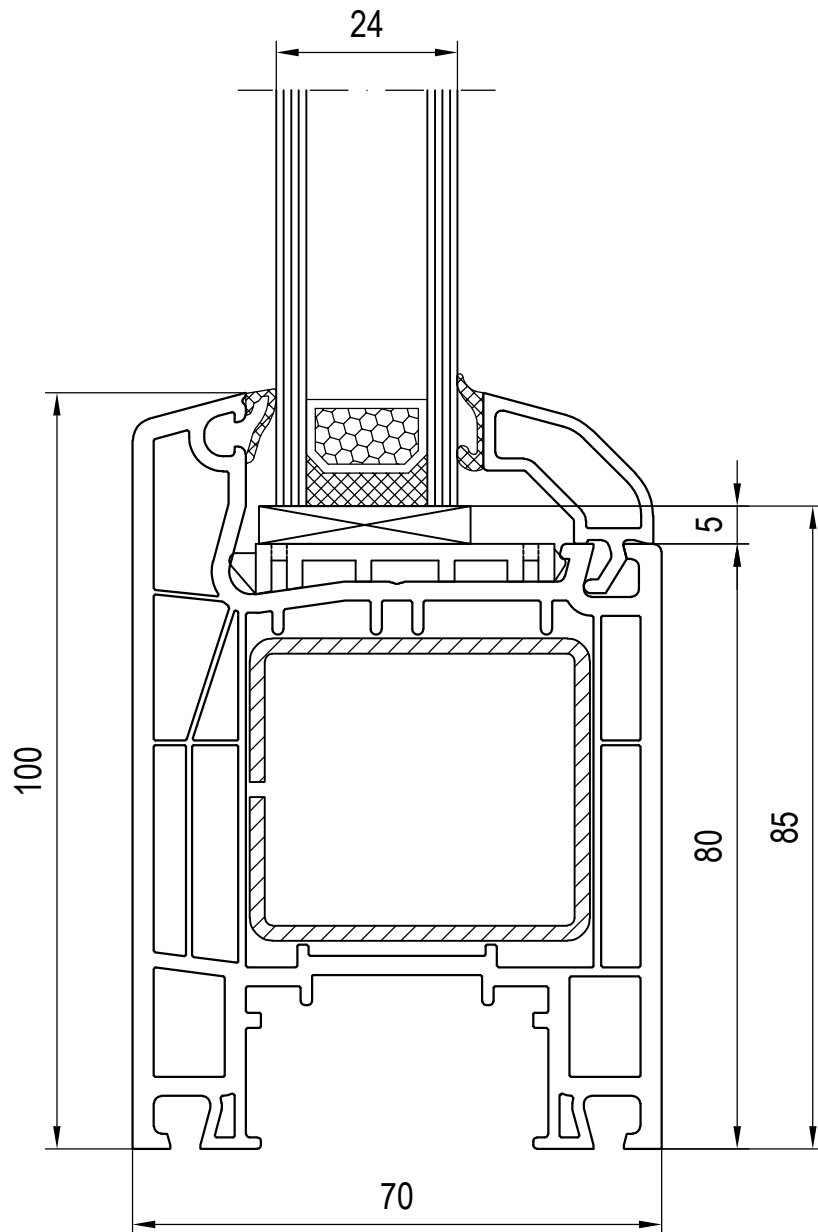
en May be subject to change and errors excepted!

Combinations: sash - fixed glazing  
120846/120876 Glazing bead

Frame 140x19

-





Scale 1:1

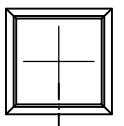
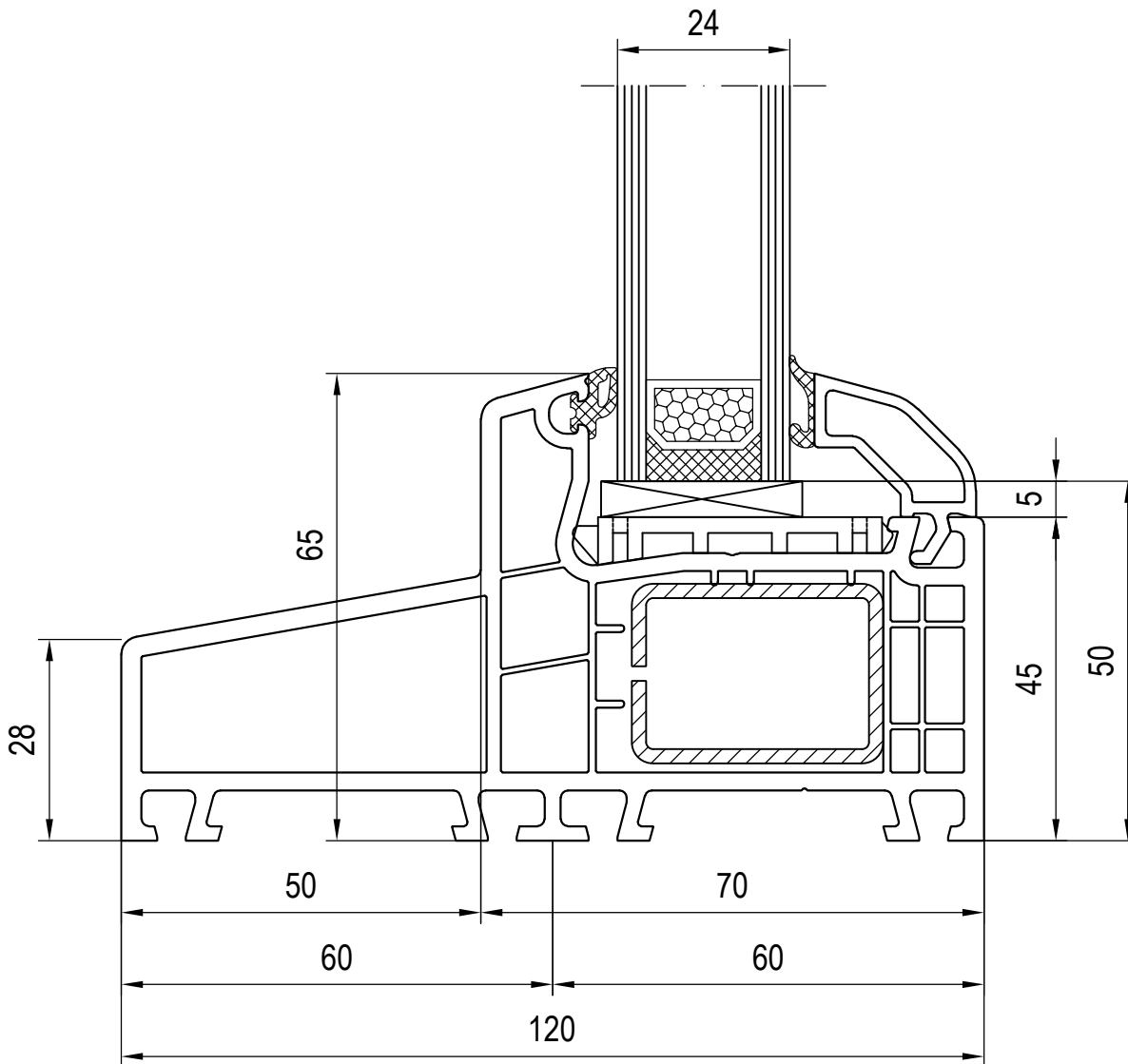
03\_E\_01\_4\*

en May be subject to change and errors excepted!

Combinations: sash - fixed glazing  
120846/120876 Glazing bead

Frame 140x81

-



Scale 1:1

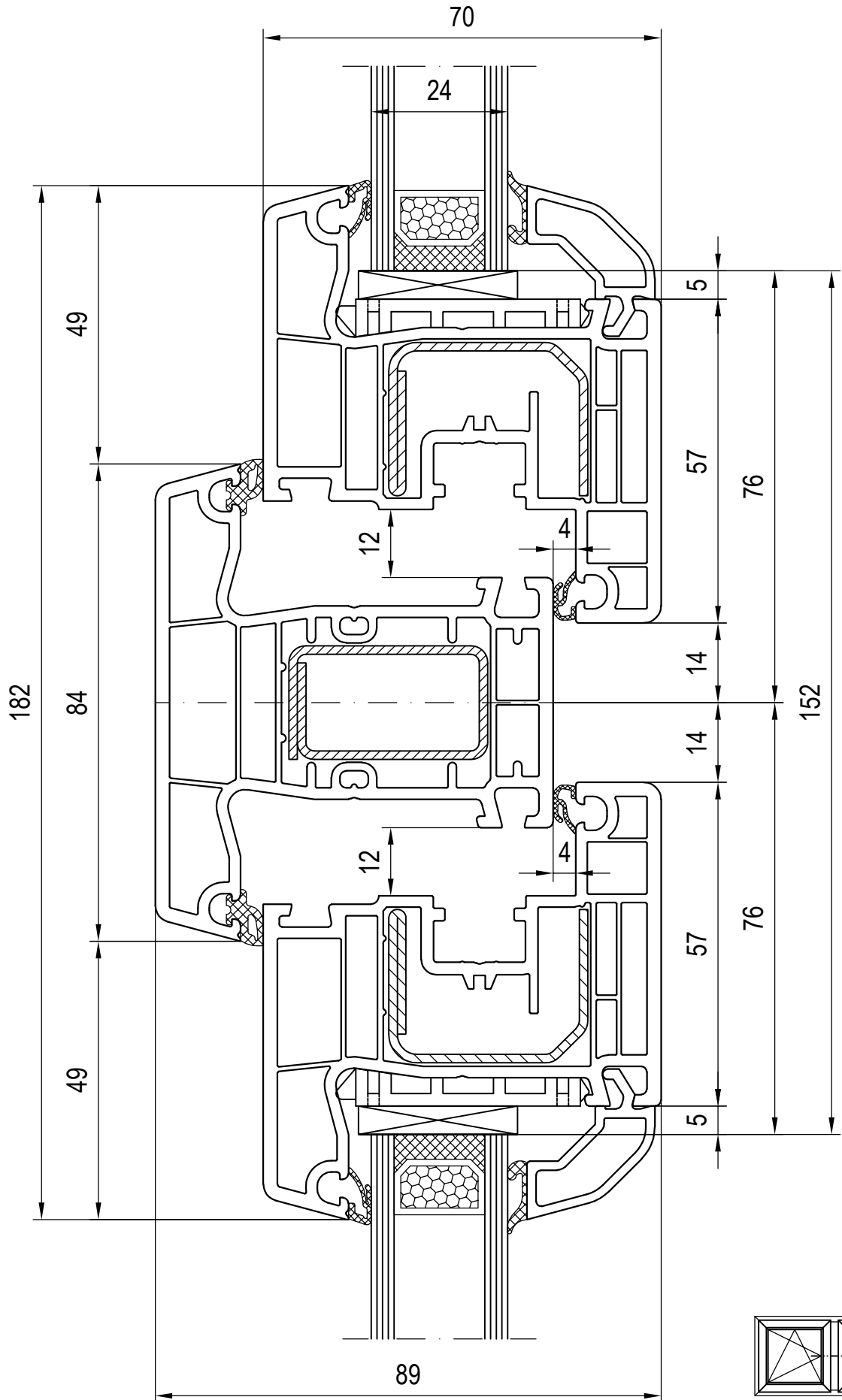
03\_E\_01\_4\*

en May be subject to change and errors excepted!

Combinations: sash - fixed glazing  
120846/120876 Glazing bead

Frame 140x91

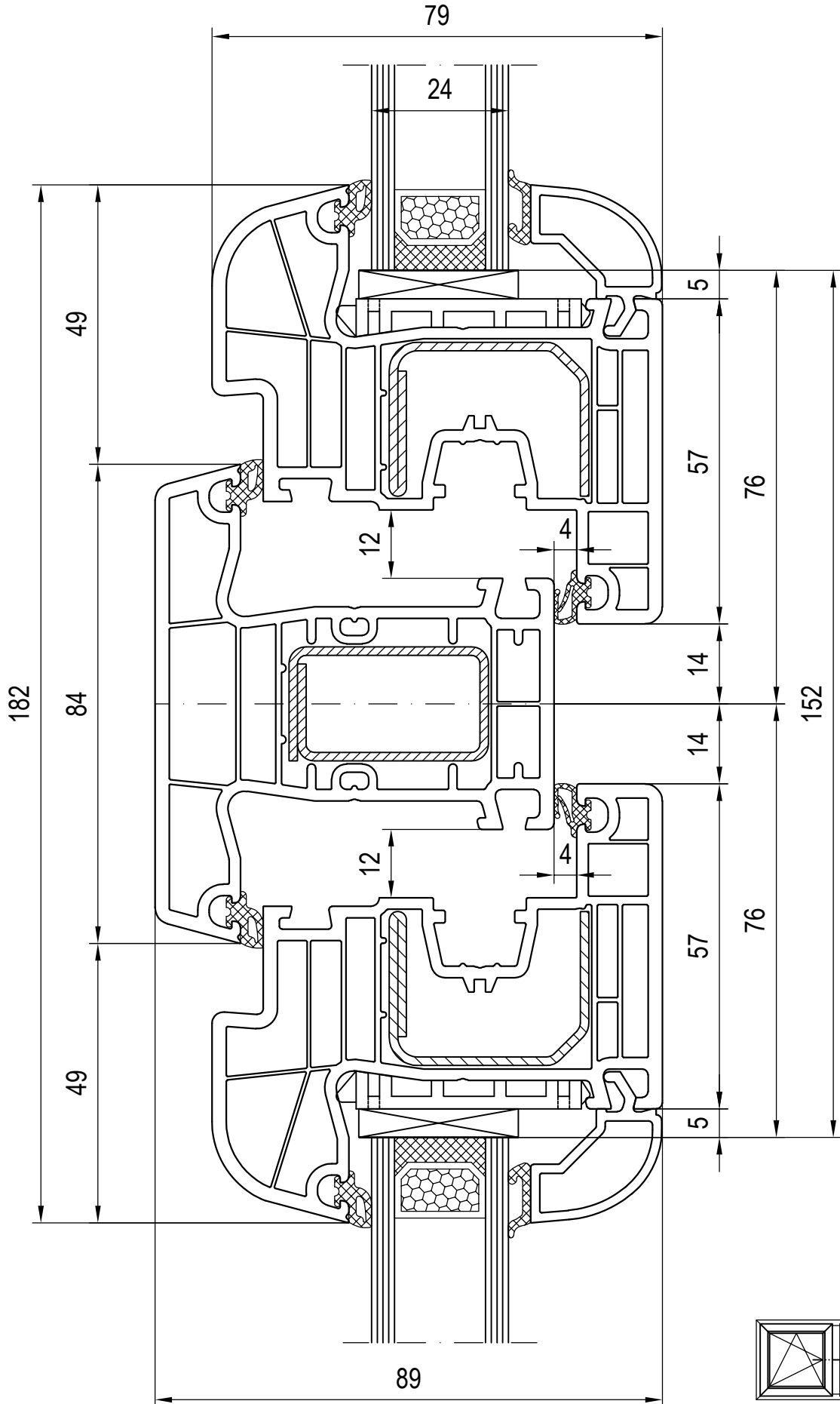
-

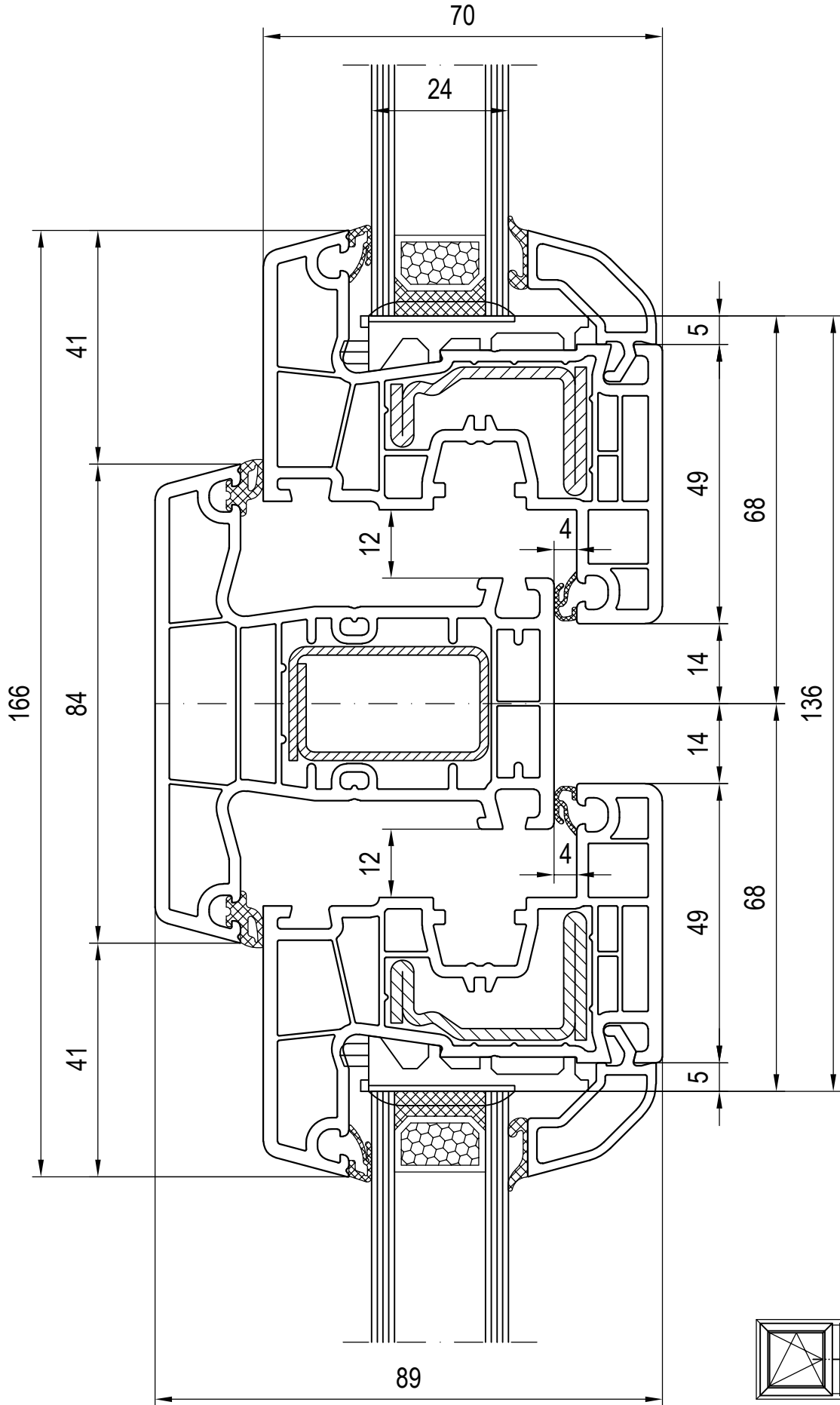


Scale 1:1  
03\_G\_01\_4\*  
en May be subject to change and errors excepted!

Combinations: sash - mullion - sash  
120846/120876 Glazing bead

Mullion 140x41  
Sash 140x20





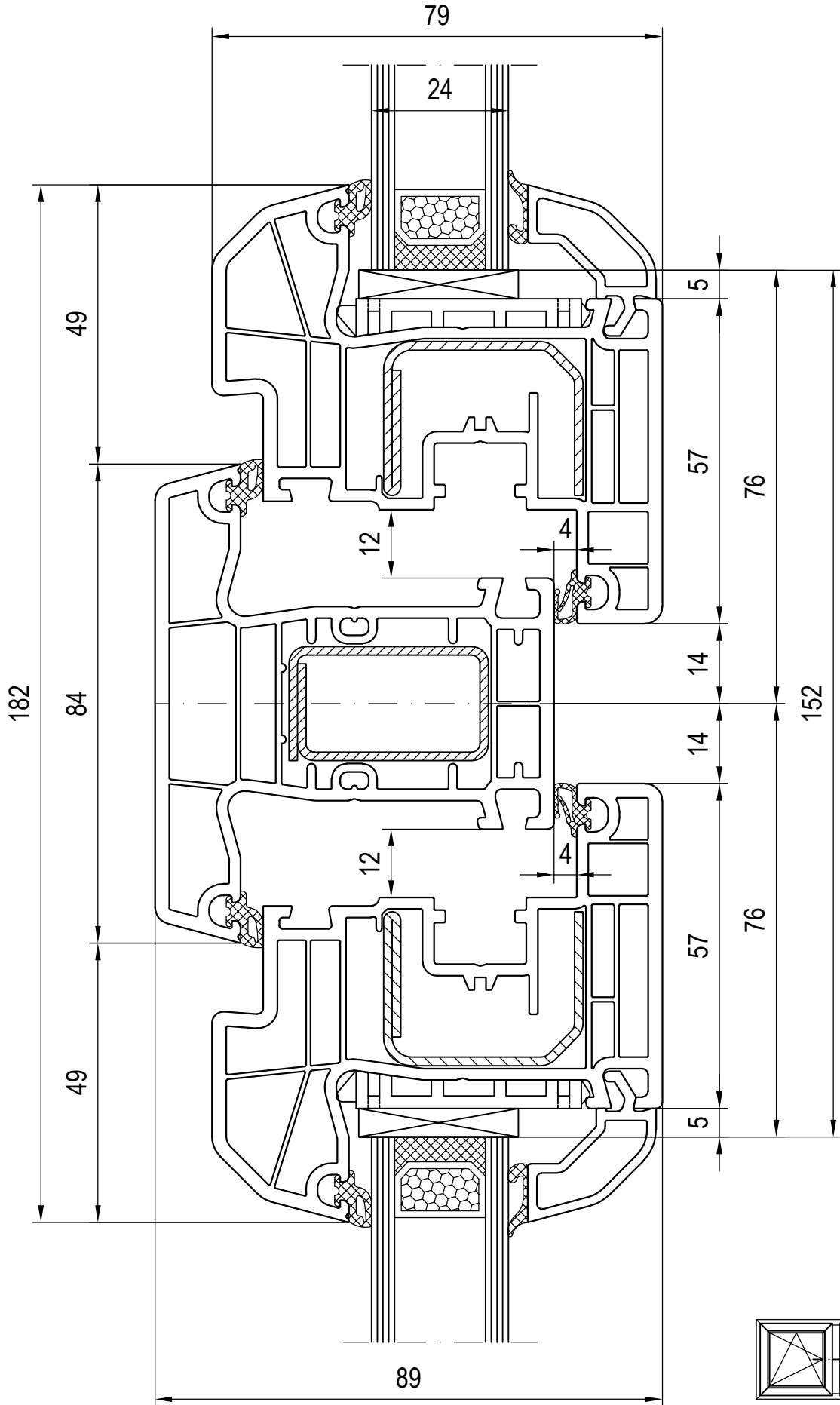
Scale 1:1

03\_G\_01\_4\*

en May be subject to change and errors excepted!

Combinations: sash - mullion - sash  
120846/120876 Glazing bead

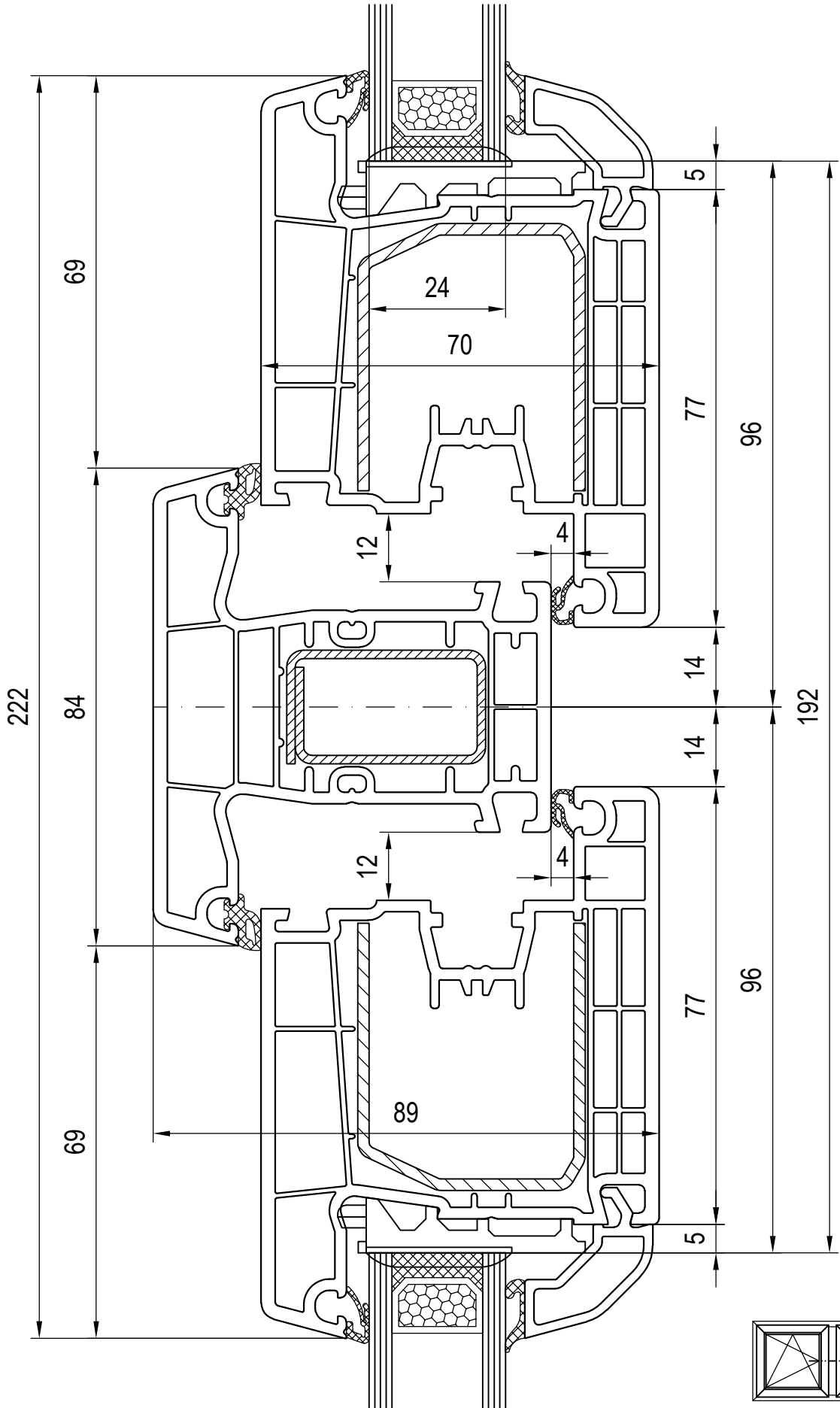
Mullion 140x41  
Sash 140x24

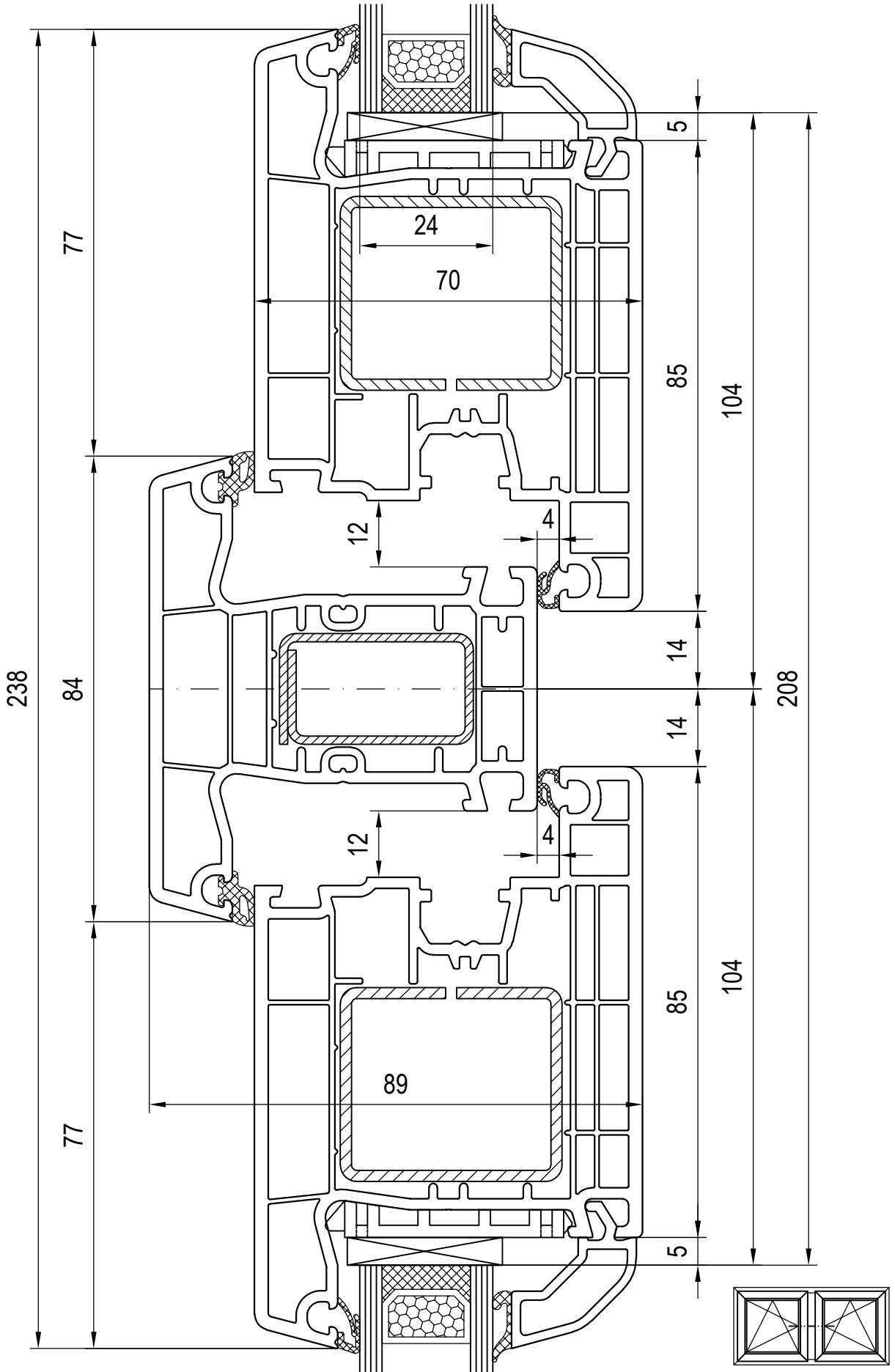


Scale 1:1  
03\_G\_01\_4\*  
en May be subject to change and errors excepted!

Combinations: sash - mullion - sash  
120846/120876 Glazing bead

Mullion 140x41  
Sash 140x26





Scale 1:1

03\_G\_01\_4\*

en May be subject to change and errors excepted!

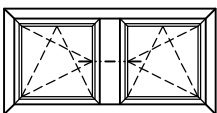
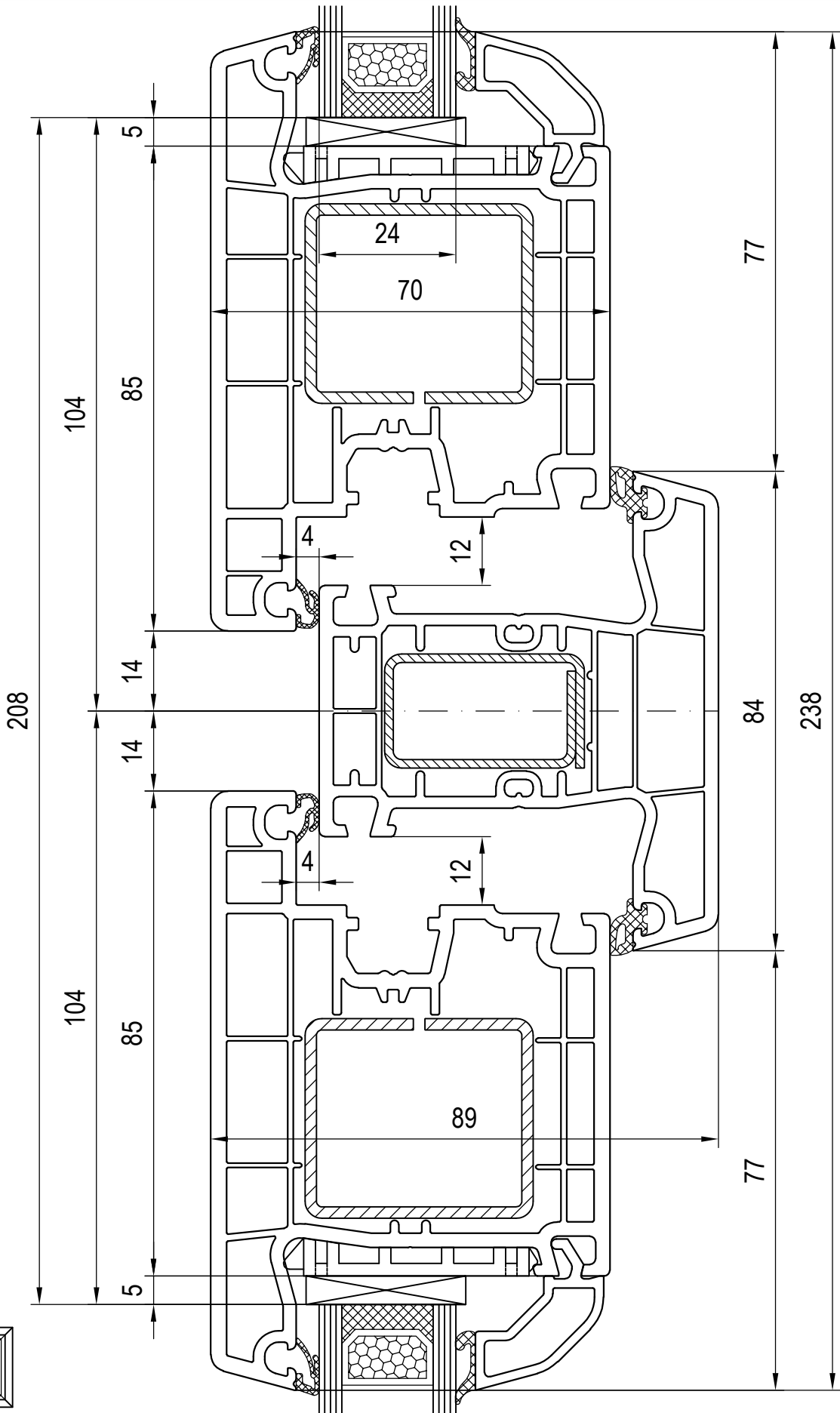
Combinations: sash - mullion - sash

120846/120876 Glazing bead

Mullion 140x41

Sash 140x30





Scale 1:1

03\_G\_01\_4\*

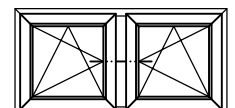
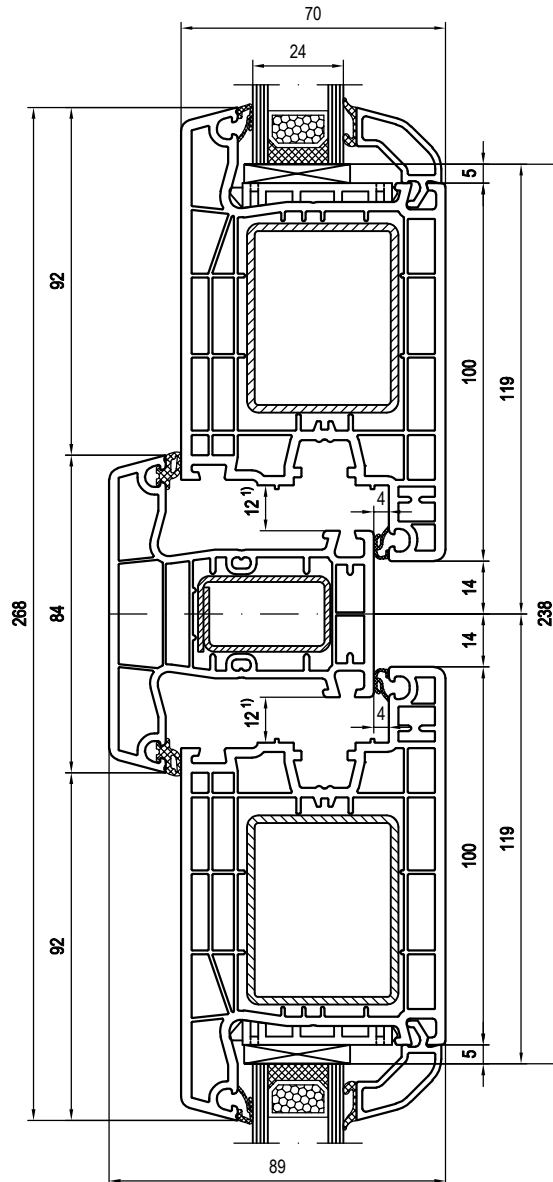
en May be subject to change and errors excepted!

Combinations: sash - mullion - sash

120846/120876 Glazing bead

Mullion 140x41

Sash 140x31



1) Rebate clearance of main entrance door on left and right side = 13 mm

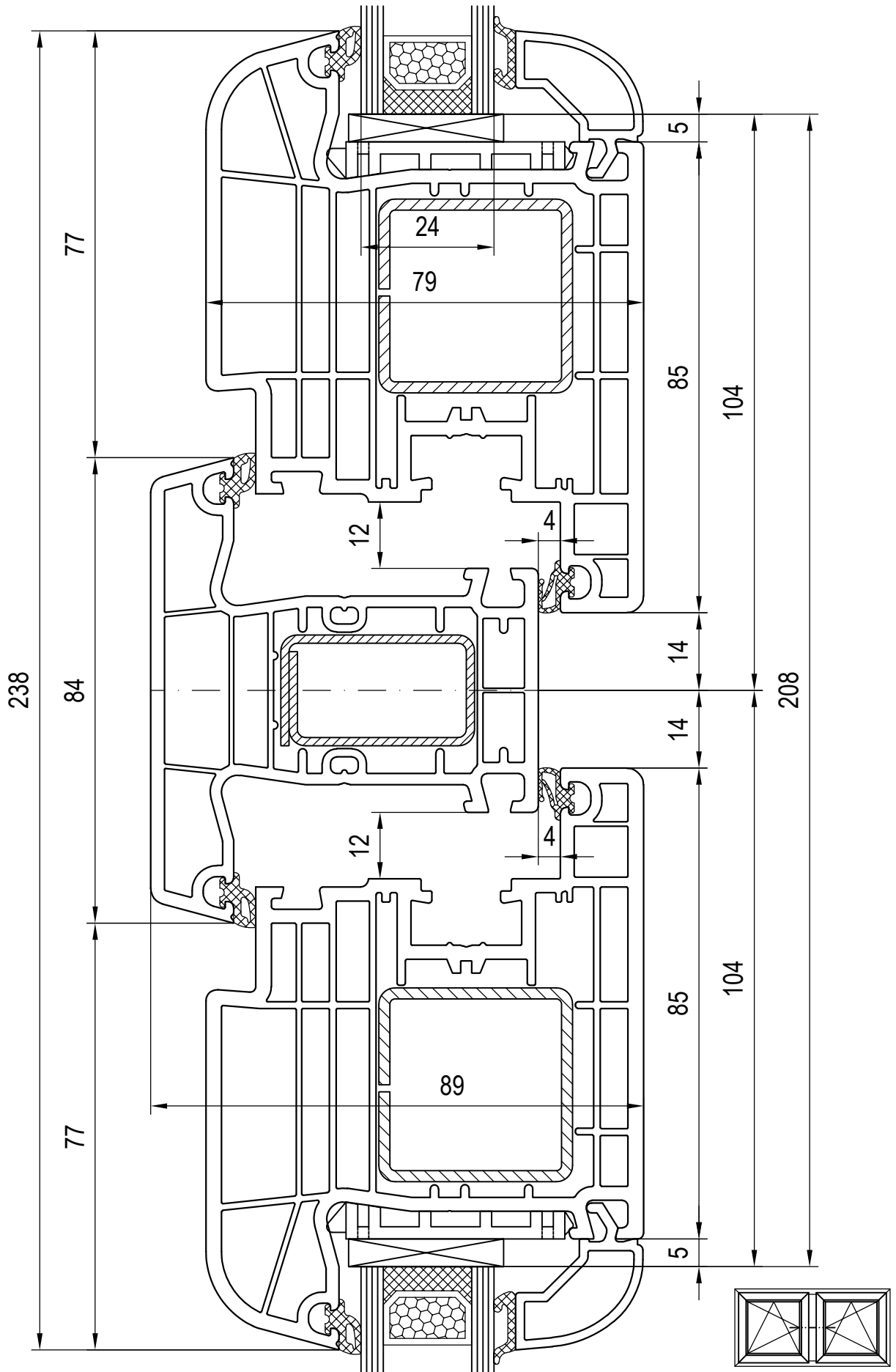
Scale 1:2

03\_G\_01\_4\*

en May be subject to change and errors excepted!

Combinations: sash - mullion - sash  
**120846/120876 Glazing bead**

**Mullion 140x41**  
**Sash 140x33**



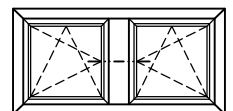
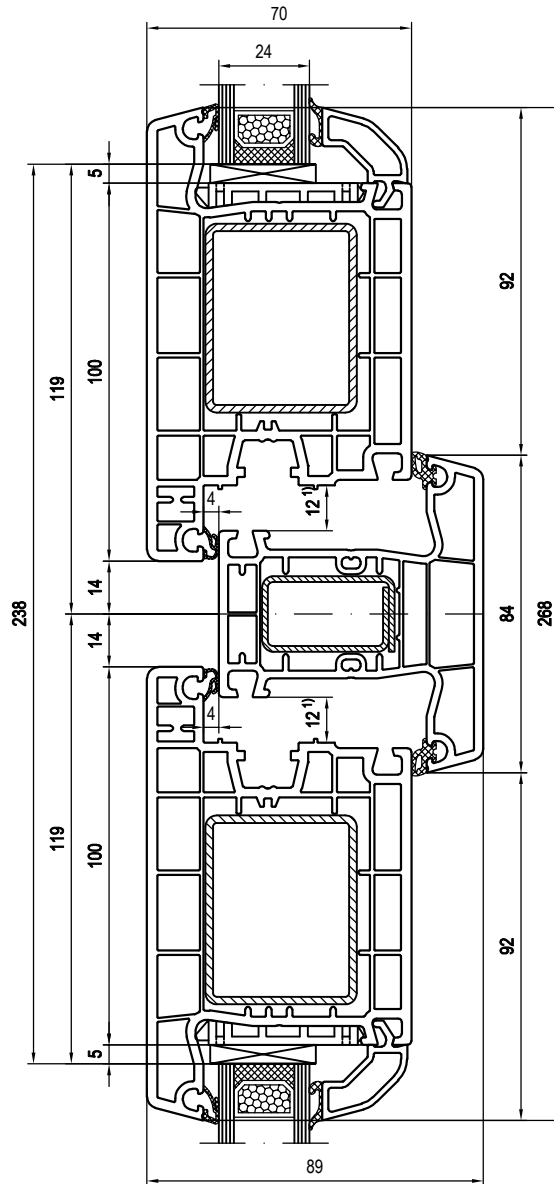
Scale 1:1

03\_G\_01\_4\*

en May be subject to change and errors excepted!

Combinations: sash - mullion - sash  
120850/120880 Glazing bead

Mullion 140x41  
Sash 140x34



1) Rebate clearance of main entrance door on left and right side = 13 mm

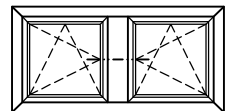
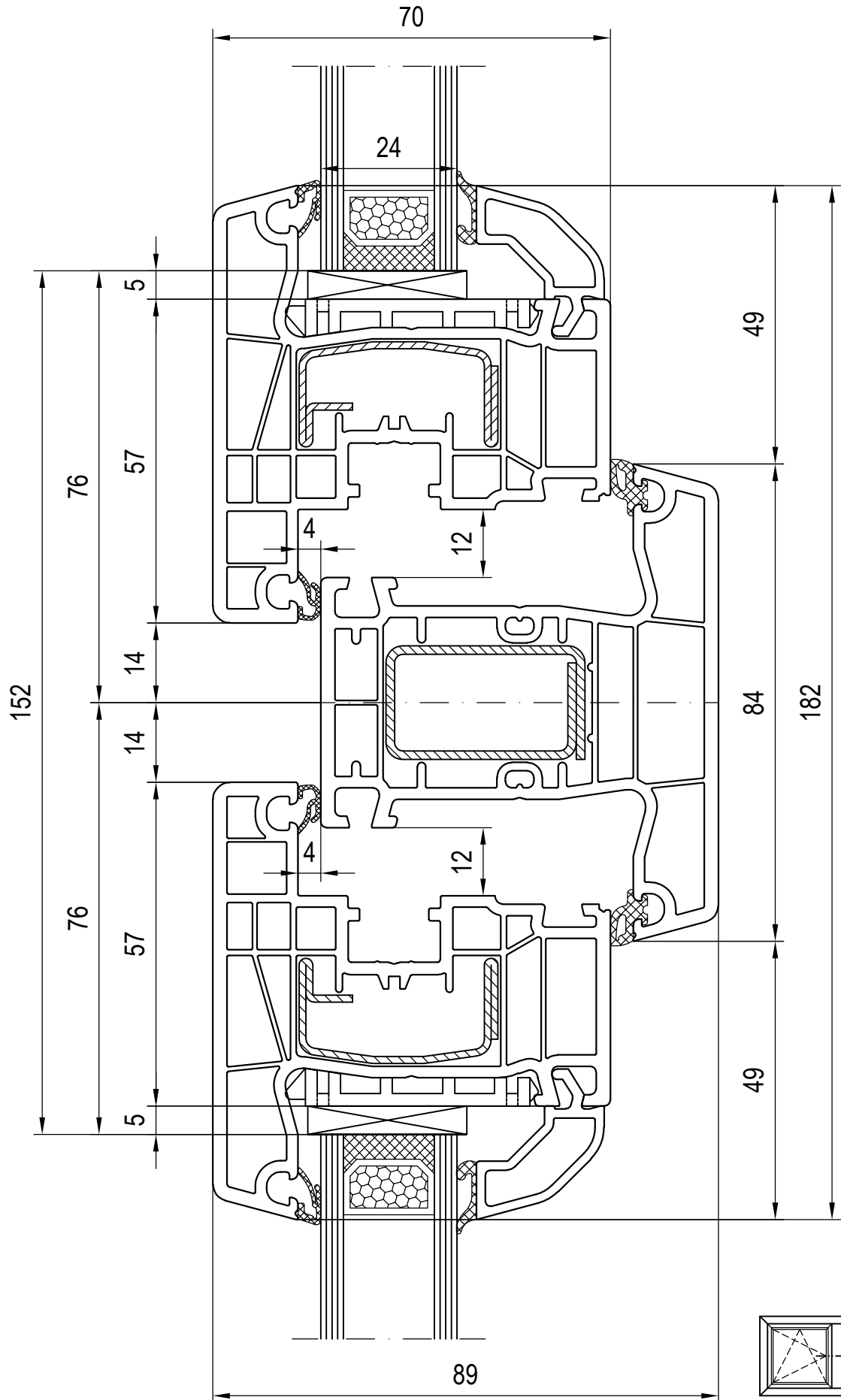
Scale 1:2

03\_G\_01\_4\*

en May be subject to change and errors excepted!

Combinations: sash - mullion - sash  
120846/120876 Glazing bead

Mullion 140x41  
Sash 140x35



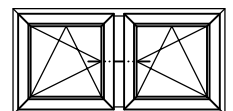
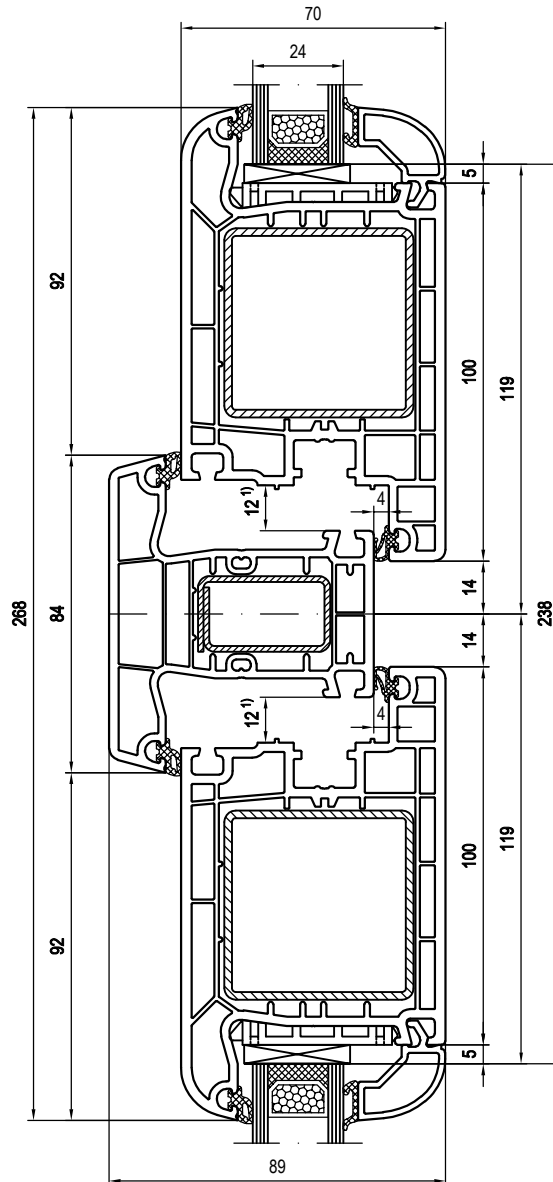
Scale 1:1

03\_G\_01\_4\*

en May be subject to change and errors excepted!

Combinations: sash - mullion - sash  
120846/120876 Glazing bead

Mullion 140x41  
Sash 140x37



1) Rebate clearance of main entrance door on left and right side = 13 mm

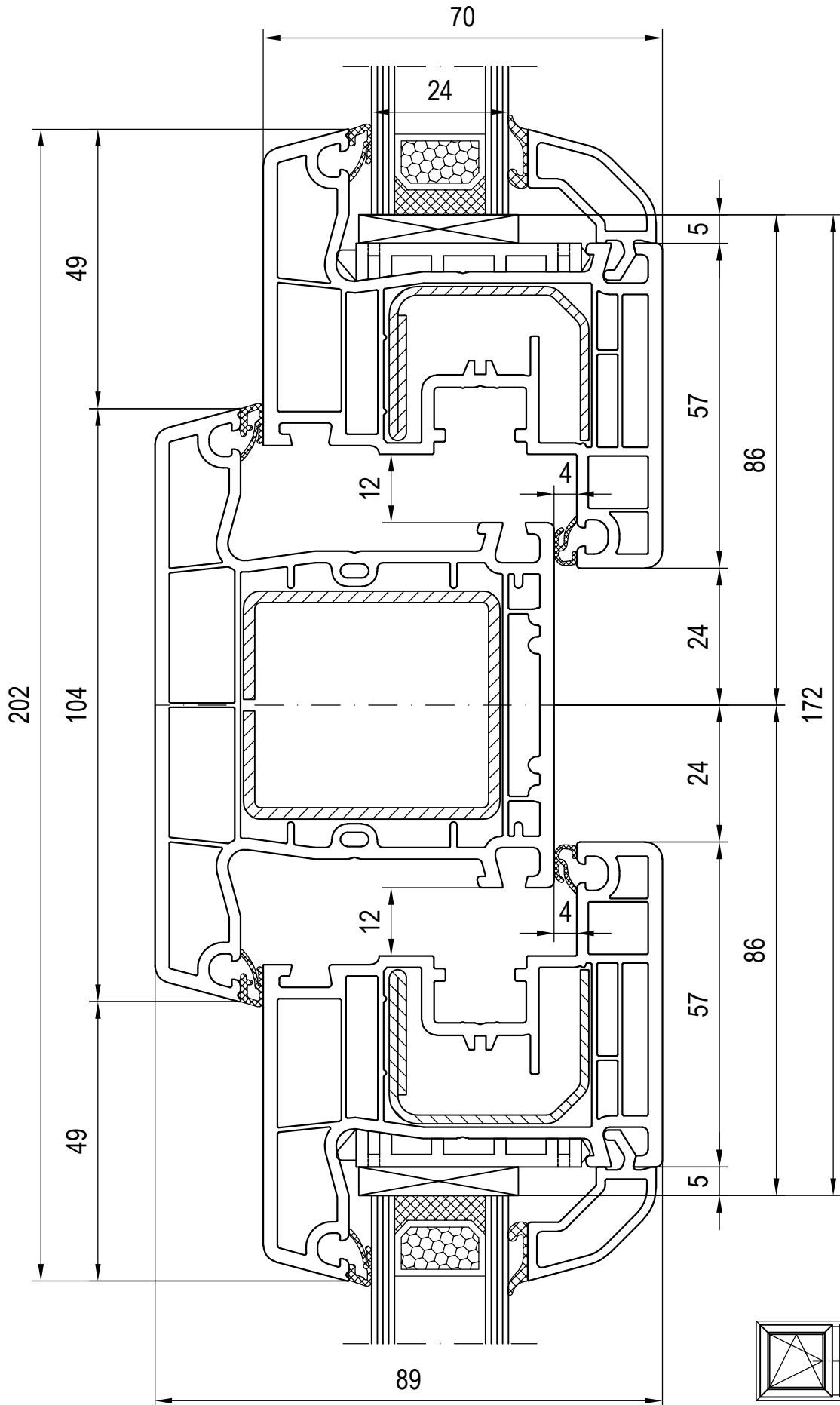
Scale 1:2

03\_G\_01\_4\*

en May be subject to change and errors excepted!

Combinations: sash - mullion - sash  
120850/120880 Glazing bead

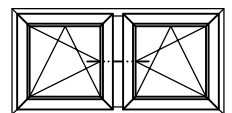
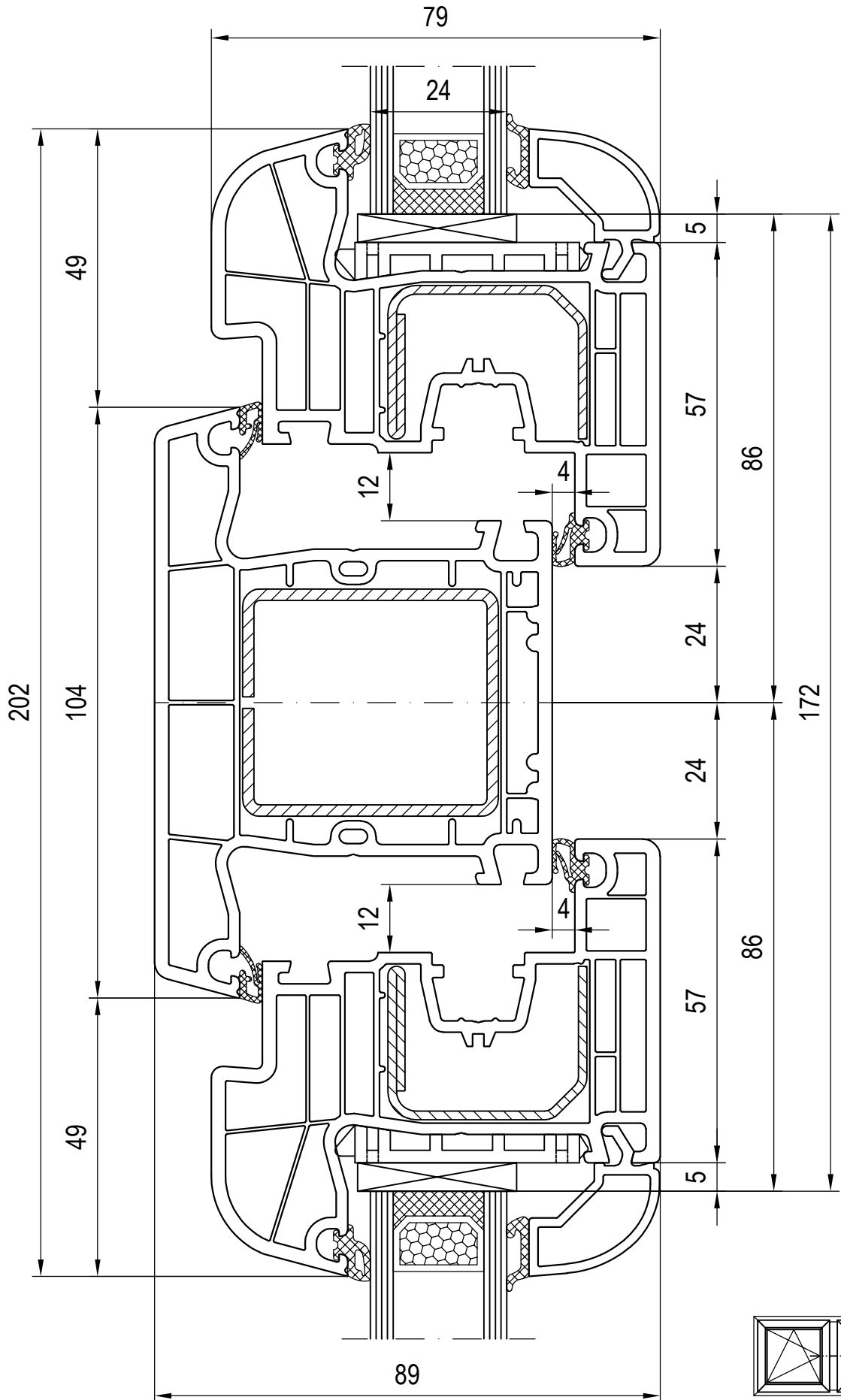
Mullion 140x41  
Sash 140x38



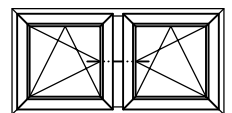
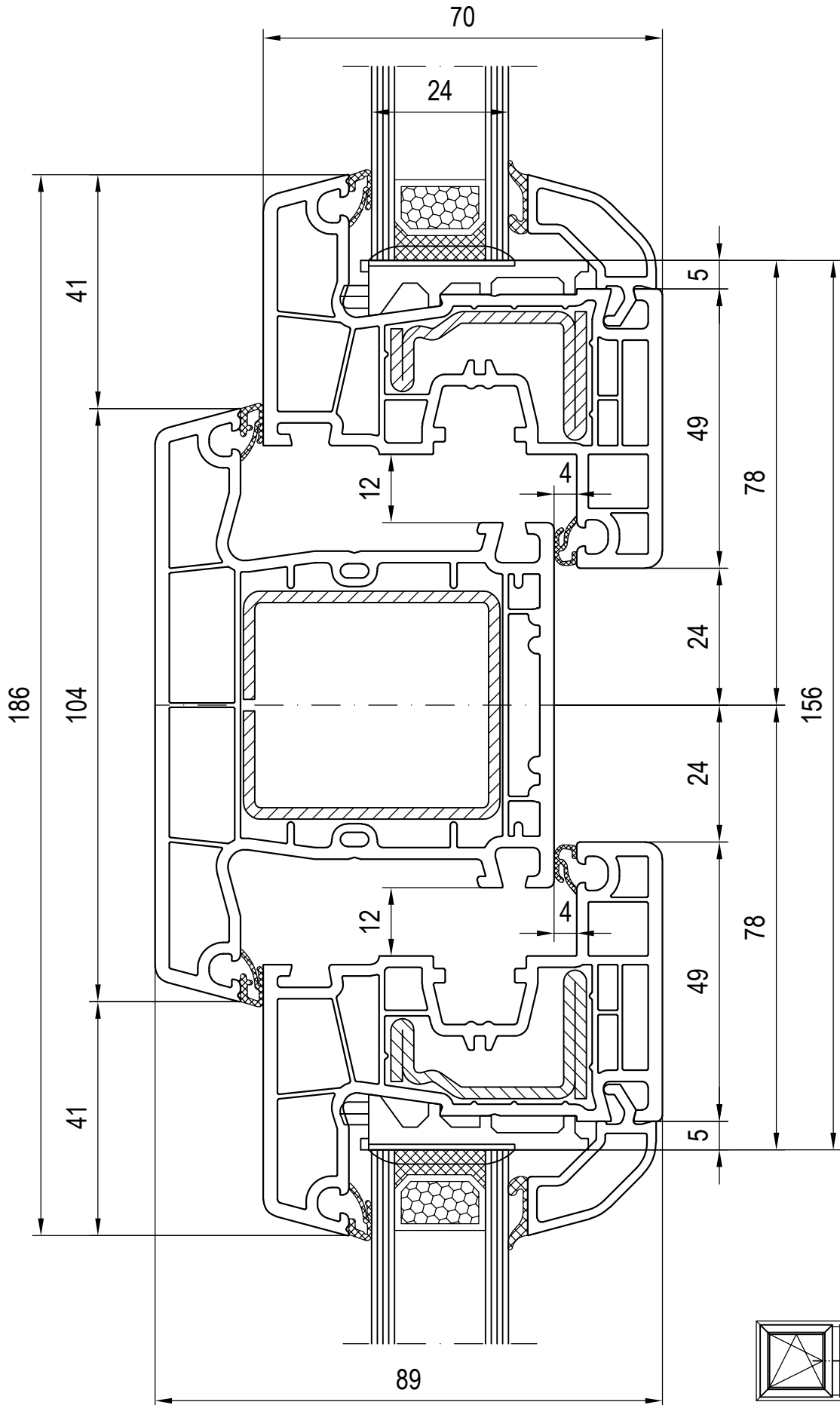
Scale 1:1  
03\_G\_01\_4\*  
en May be subject to change and errors excepted!

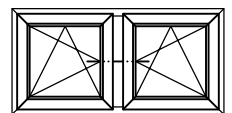
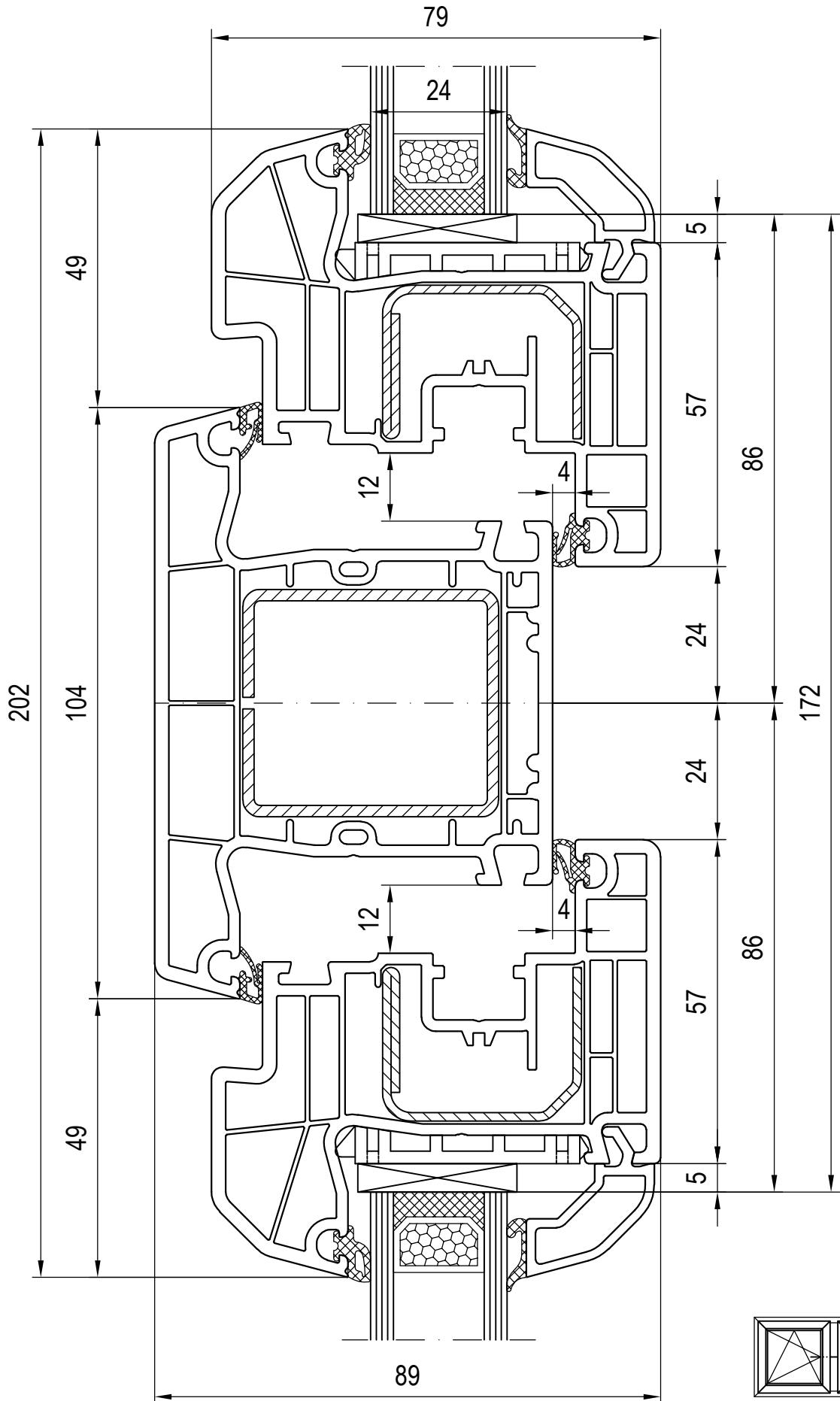
Combinations: sash - mullion - sash  
120846/120876 Glazing bead

Mullion 140x45  
Sash 140x20





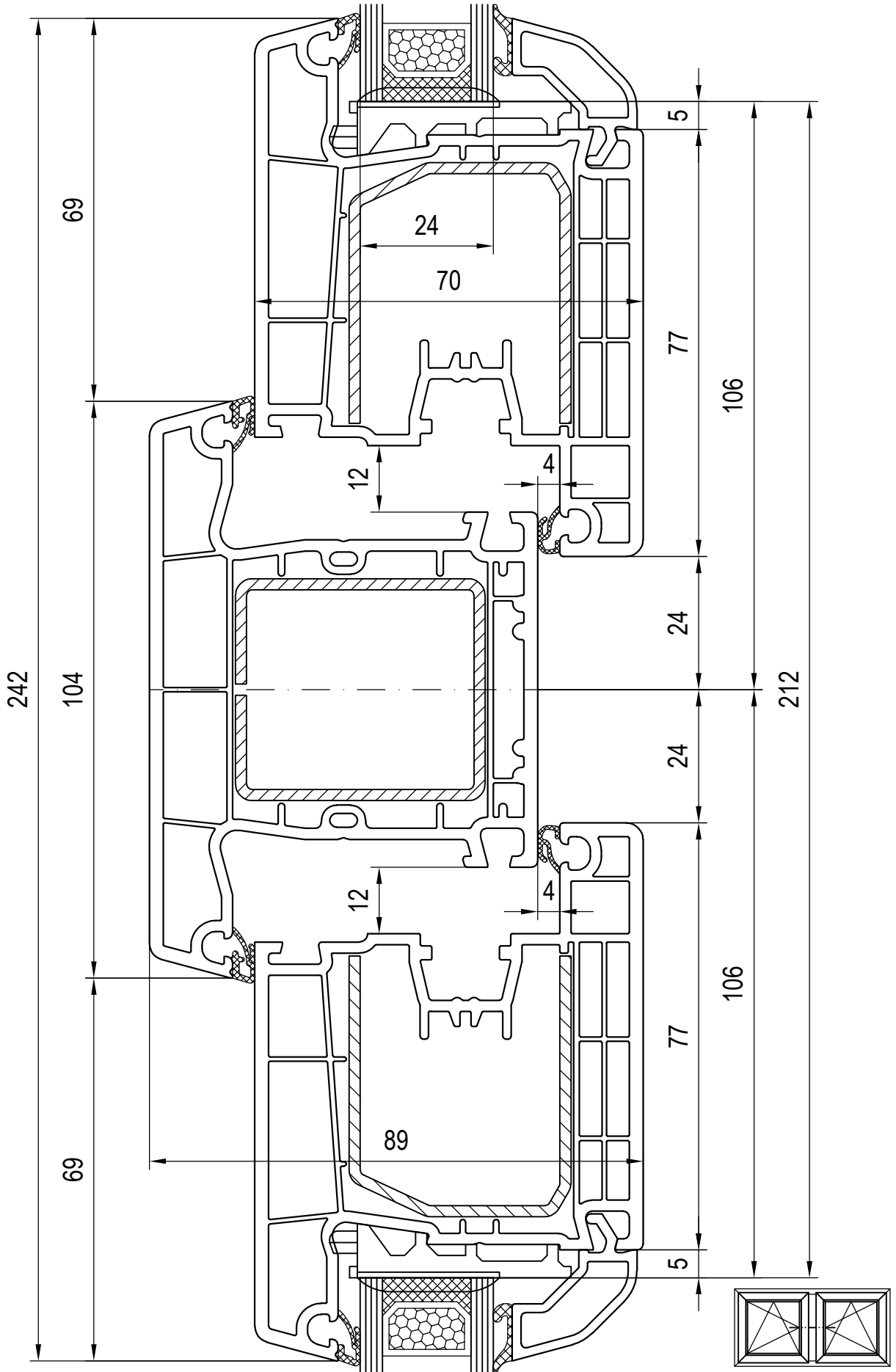




Scale 1:1  
03\_G\_01\_4\*  
en May be subject to change and errors excepted!

Combinations: sash - mullion - sash  
120846/120876 Glazing bead

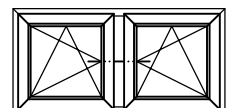
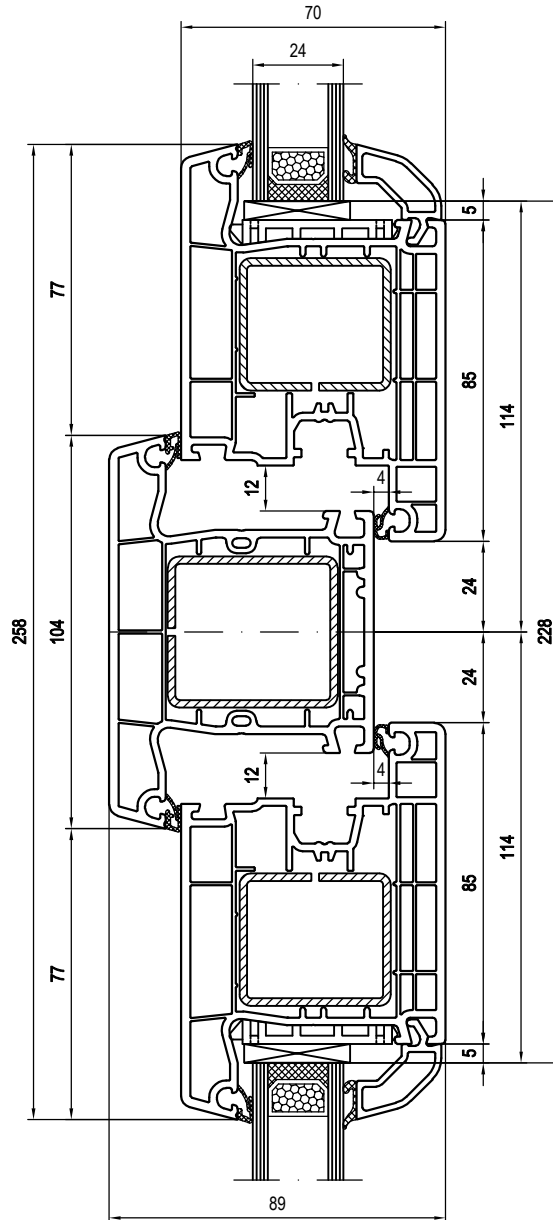
Mullion 140x45  
Sash 140x26



Scale 1:1  
03\_G\_01\_4\*  
en May be subject to change and errors excepted!

Combinations: sash - mullion - sash  
120846/120876 Glazing bead

Mullion 140x45  
Sash 140x28



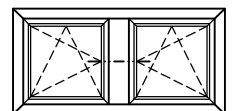
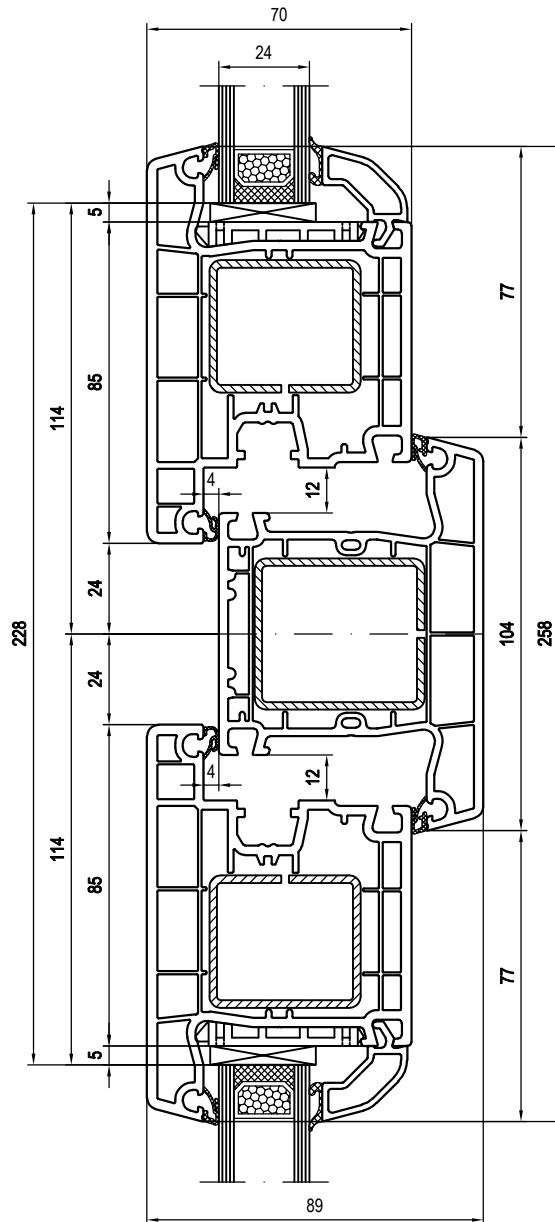
Scale 1:2

03\_G\_01\_4\*

en May be subject to change and errors excepted!

Combinations: sash - mullion - sash  
120846/120876 Glazing bead

Mullion 140x45  
Sash 140x30



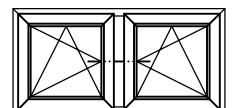
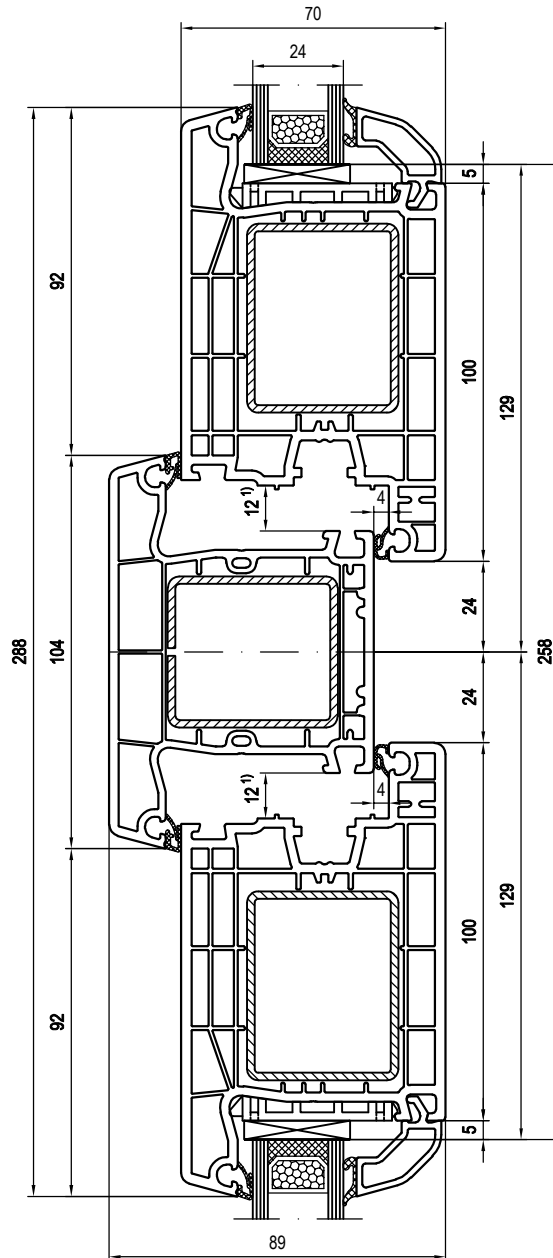
Scale 1:2

03\_G\_01\_4\*

en May be subject to change and errors excepted!

Combinations: sash - mullion - sash  
120846/120876 Glazing bead

Mullion 140x45  
Sash 140x31



1) Rebate clearance of main entrance door on left and right side = 13 mm

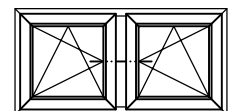
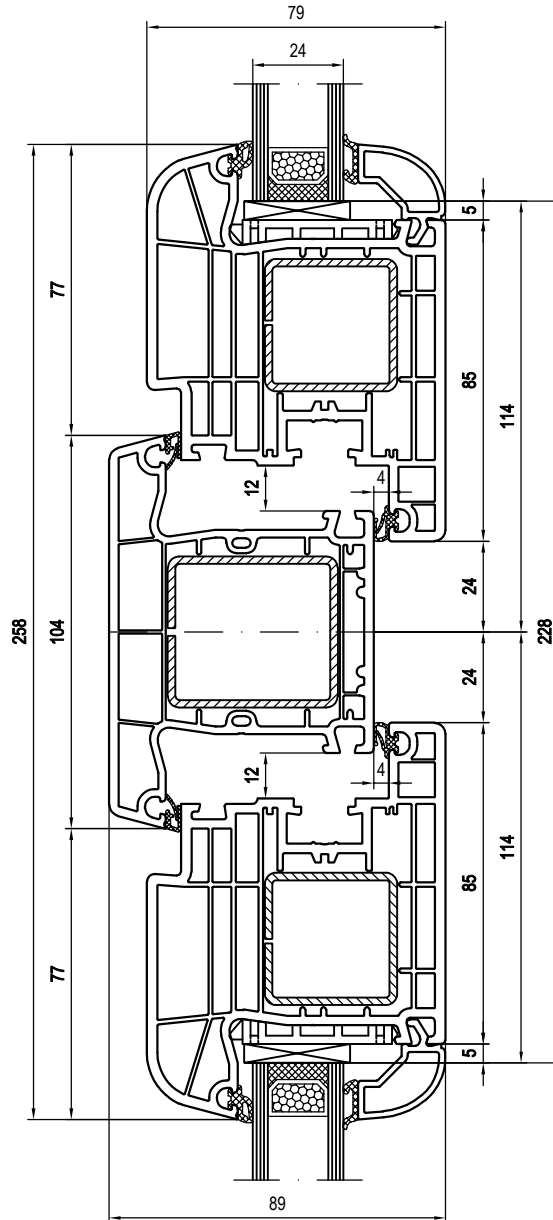
Scale 1:2

03\_G\_01\_4\*

en May be subject to change and errors excepted!

Combinations: sash - mullion - sash  
120846/120876 Glazing bead

Mullion 140x45  
Sash 140x33



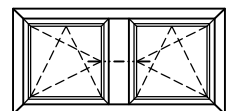
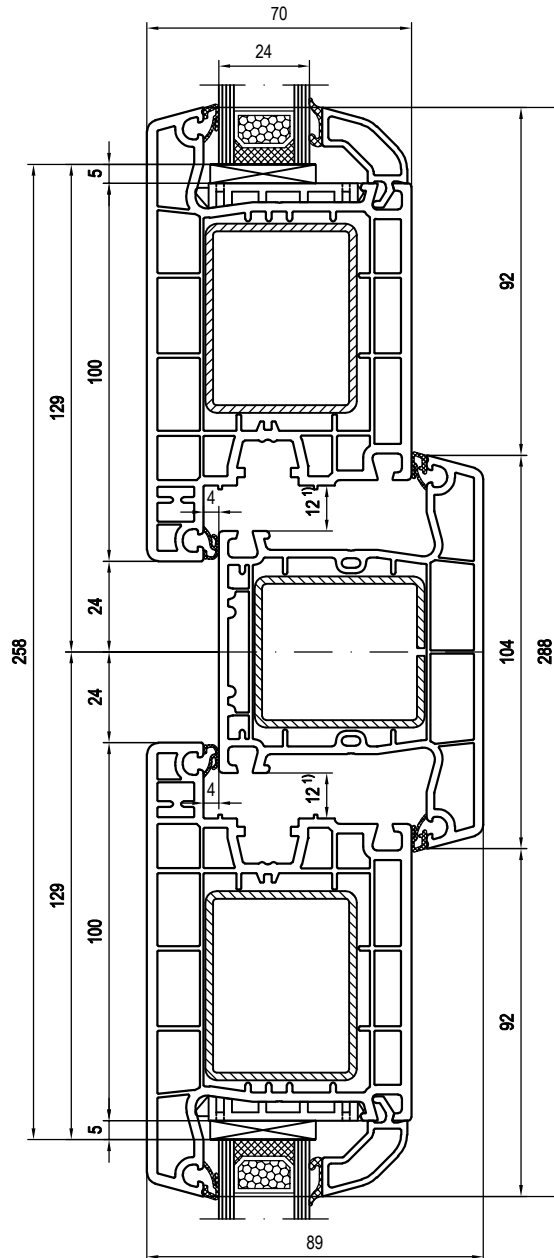
Scale 1:2

03\_G\_01\_4\*

en May be subject to change and errors excepted!

Combinations: sash - mullion - sash  
120850/120880 Glazing bead

Mullion 140x45  
Sash 140x34



1) Rebate clearance of main entrance door on left and right side = 13 mm

Scale 1:2

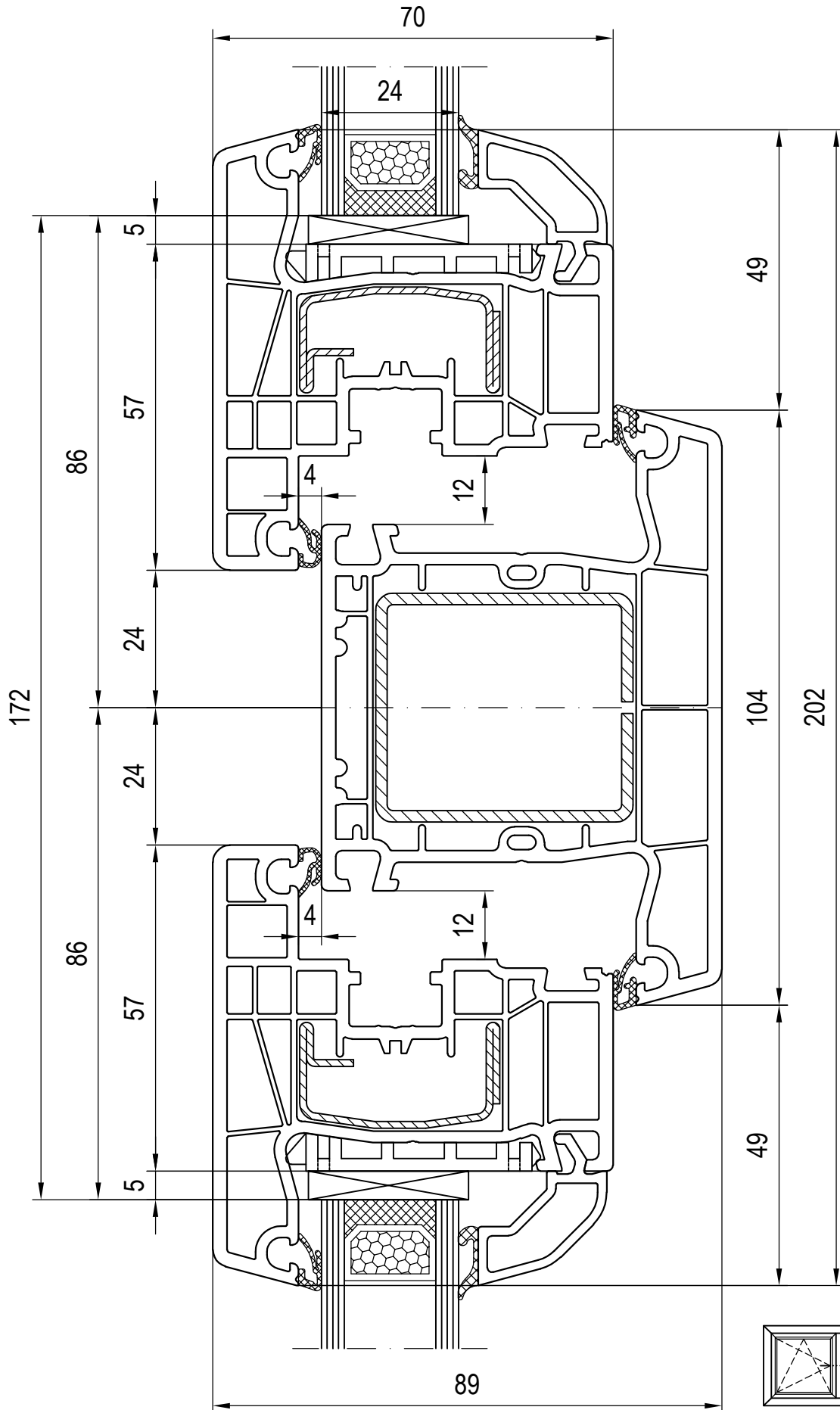
03\_G\_01\_4\*

en May be subject to change and errors excepted!

Combinations: sash - mullion - sash  
120846/120876 Glazing bead

Mullion 140x45  
Sash 140x35





Scale 1:1

03\_G\_01\_4\*

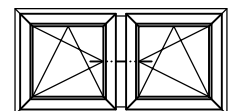
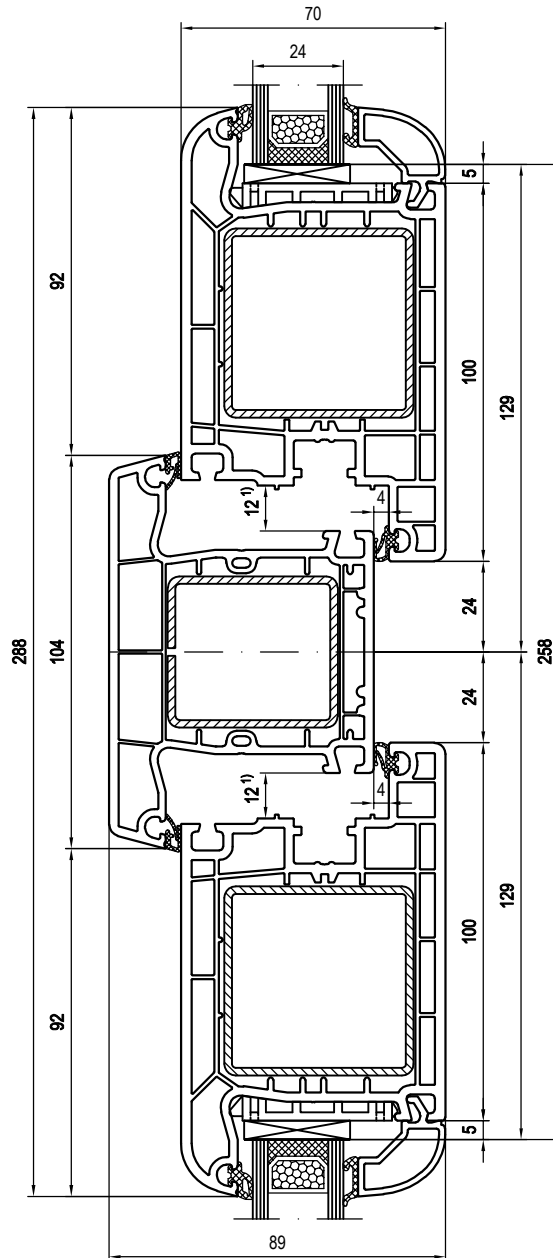
en May be subject to change and errors excepted!

Combinations: sash - mullion - sash

120846/120876 Glazing bead

Mullion 140x45

Sash 140x37



1) Rebate clearance of main entrance door on left and right side = 13 mm

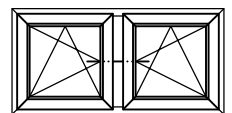
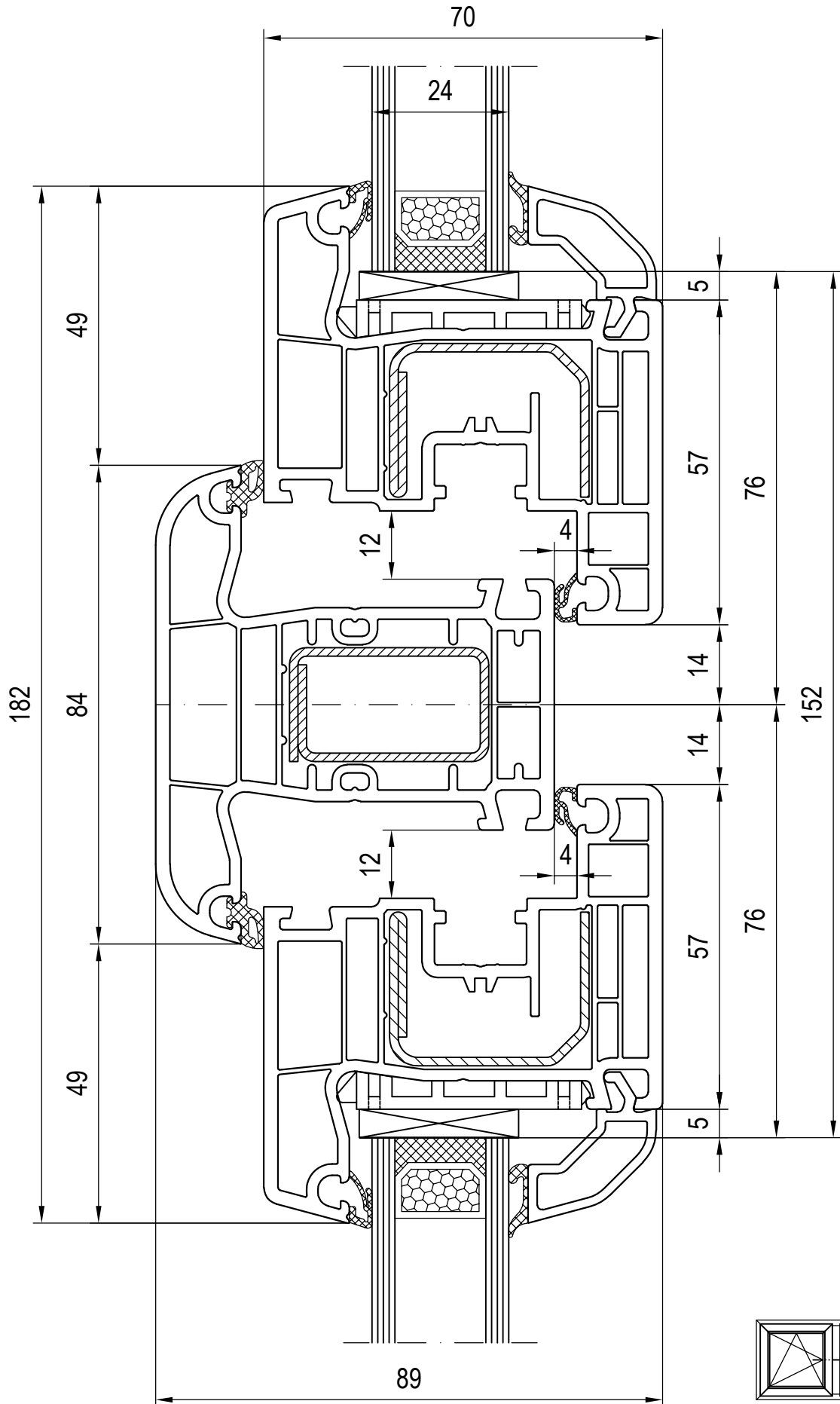
Scale 1:2

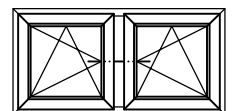
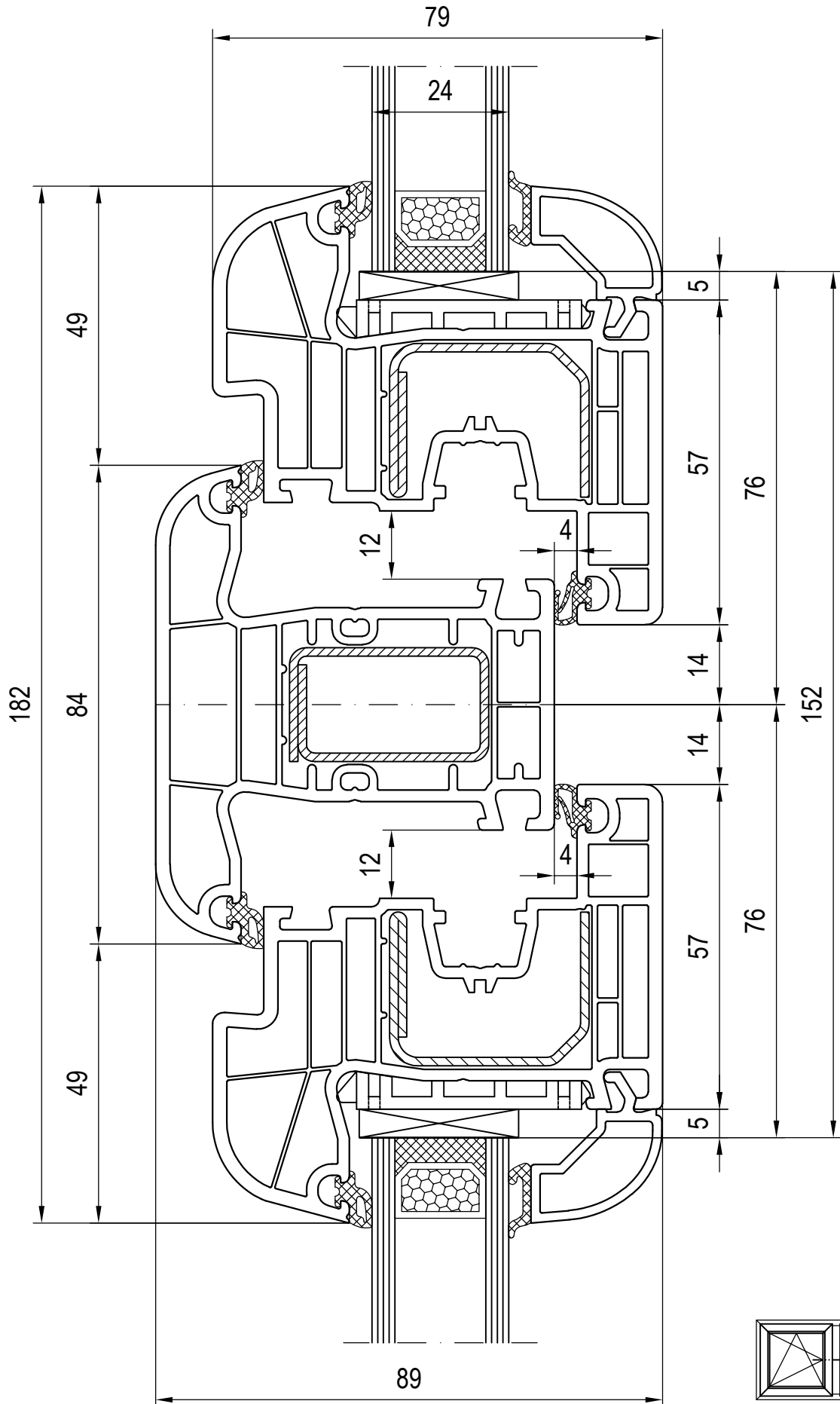
03\_G\_01\_4\*

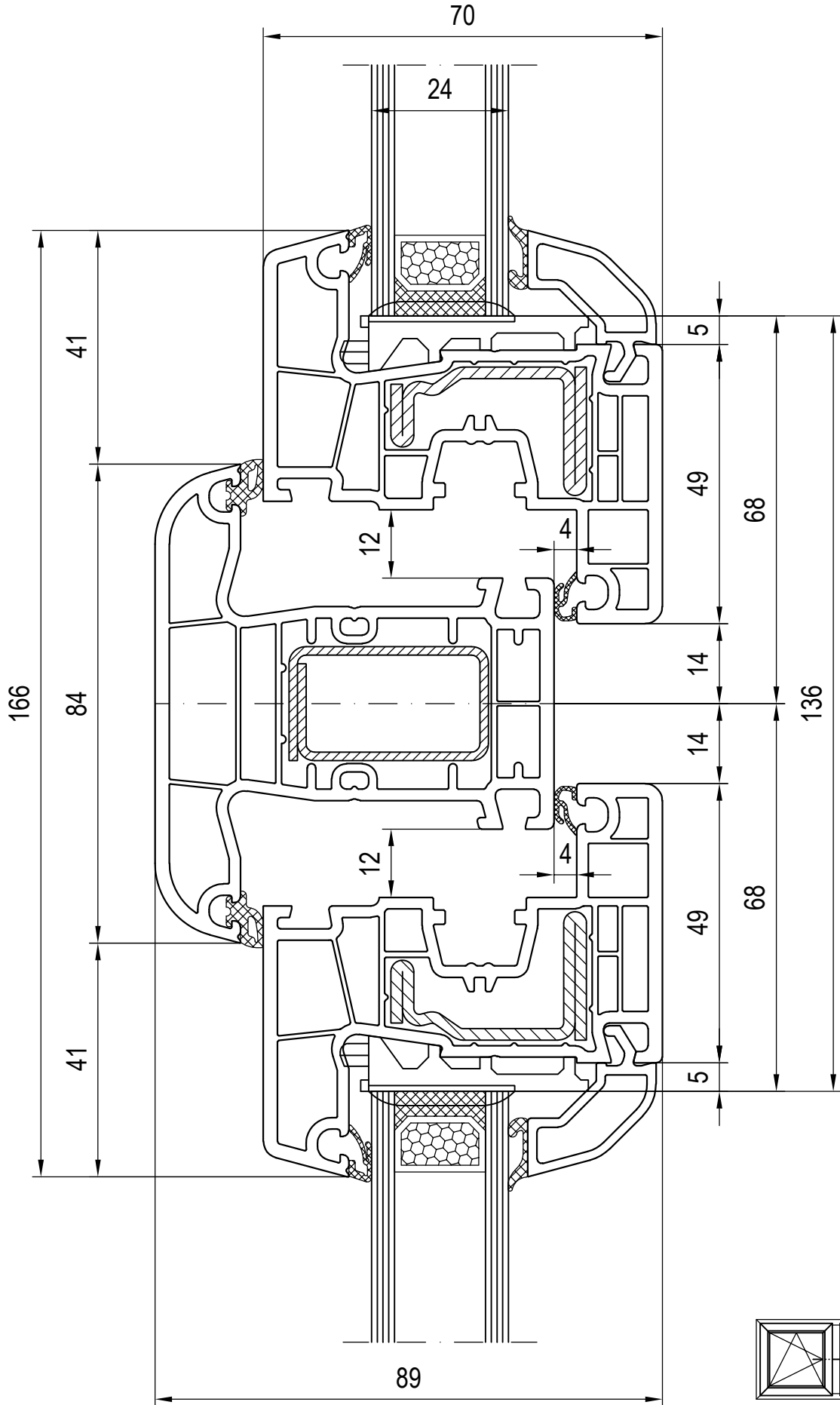
en May be subject to change and errors excepted!

Combinations: sash - mullion - sash  
120850/120880 Glazing bead

Mullion 140x45  
Sash 140x38







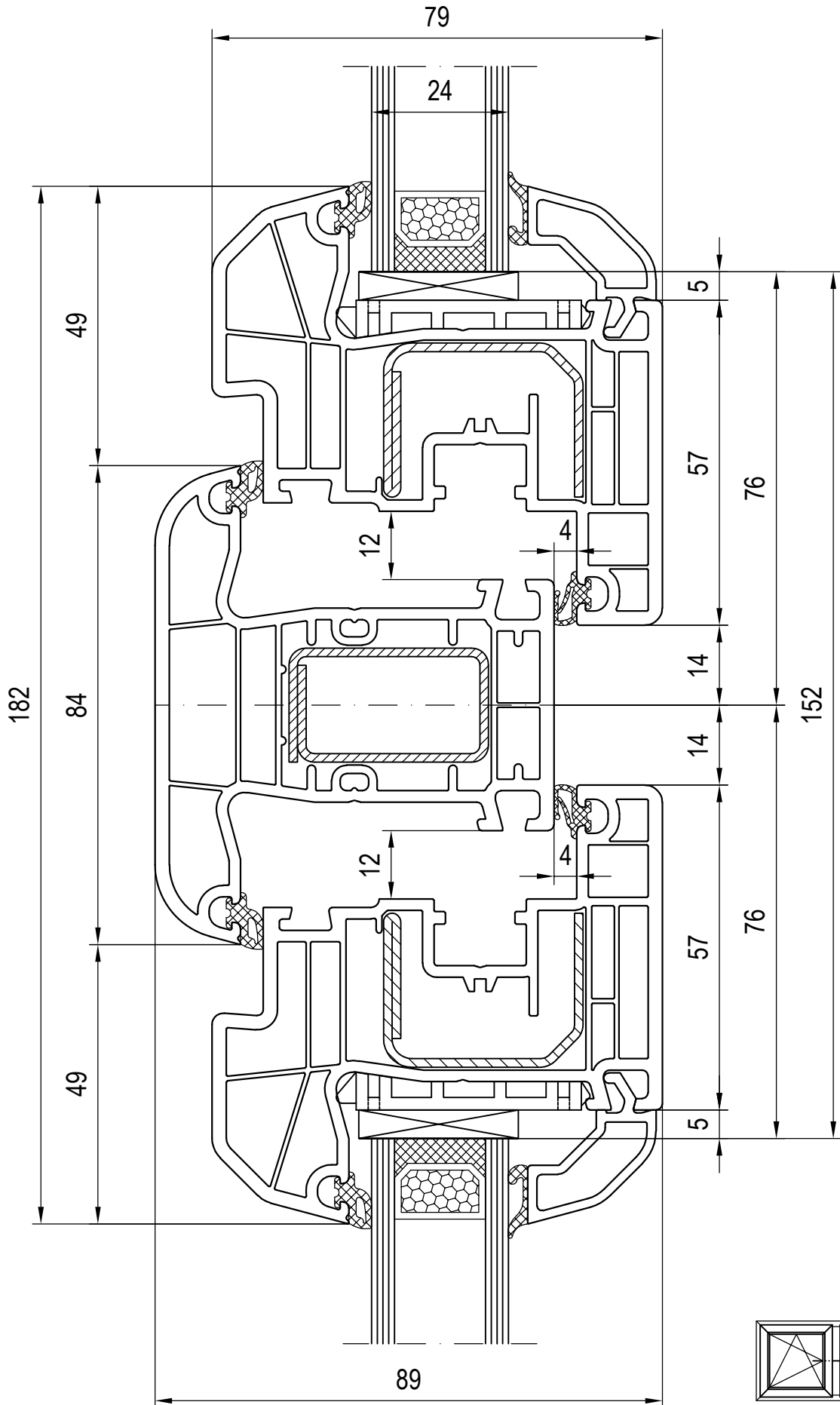
Scale 1:1

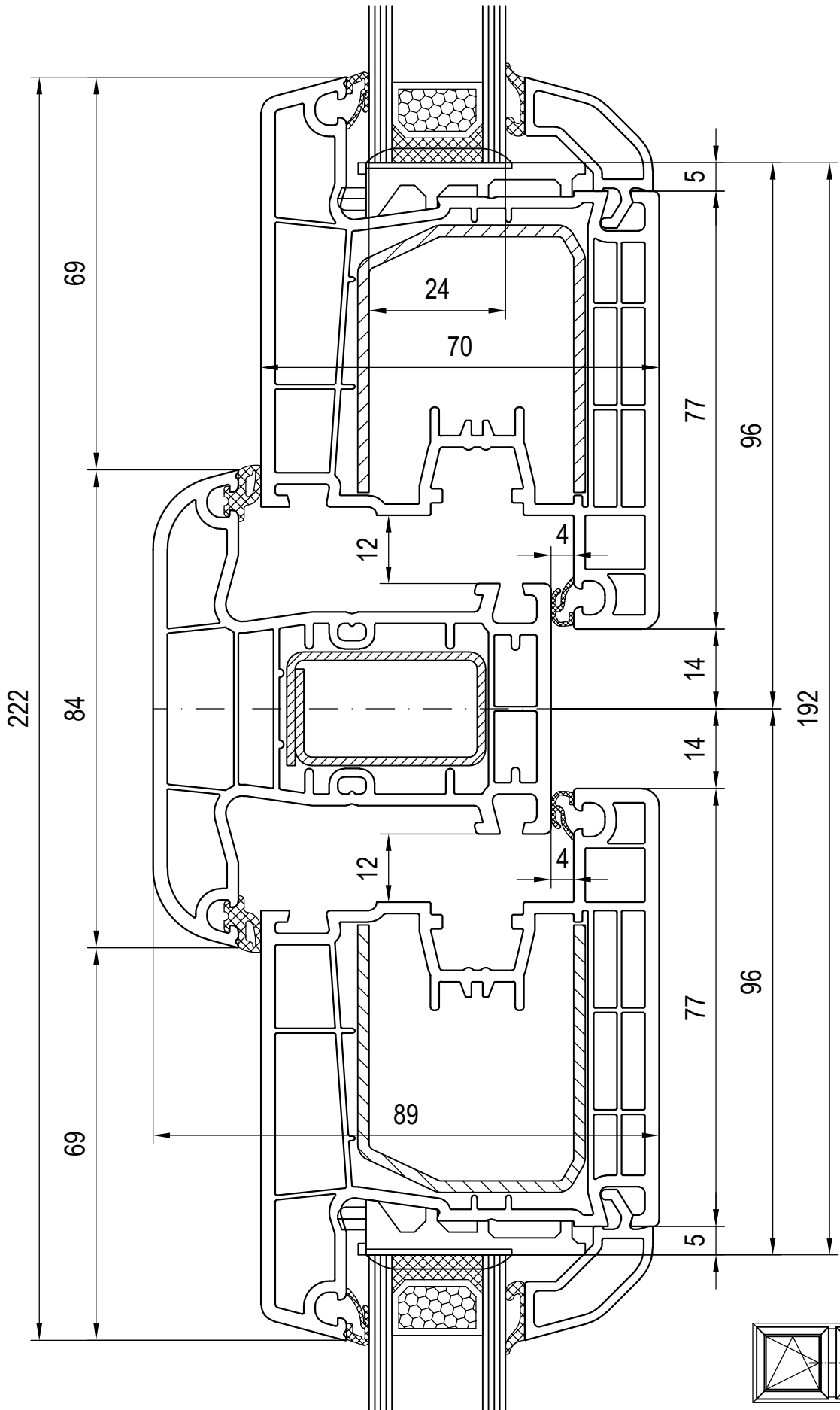
03\_G\_01\_4\*

en May be subject to change and errors excepted!

Combinations: sash - mullion - sash  
120846/120876 Glazing bead

Mullion 140x47  
Sash 140x24

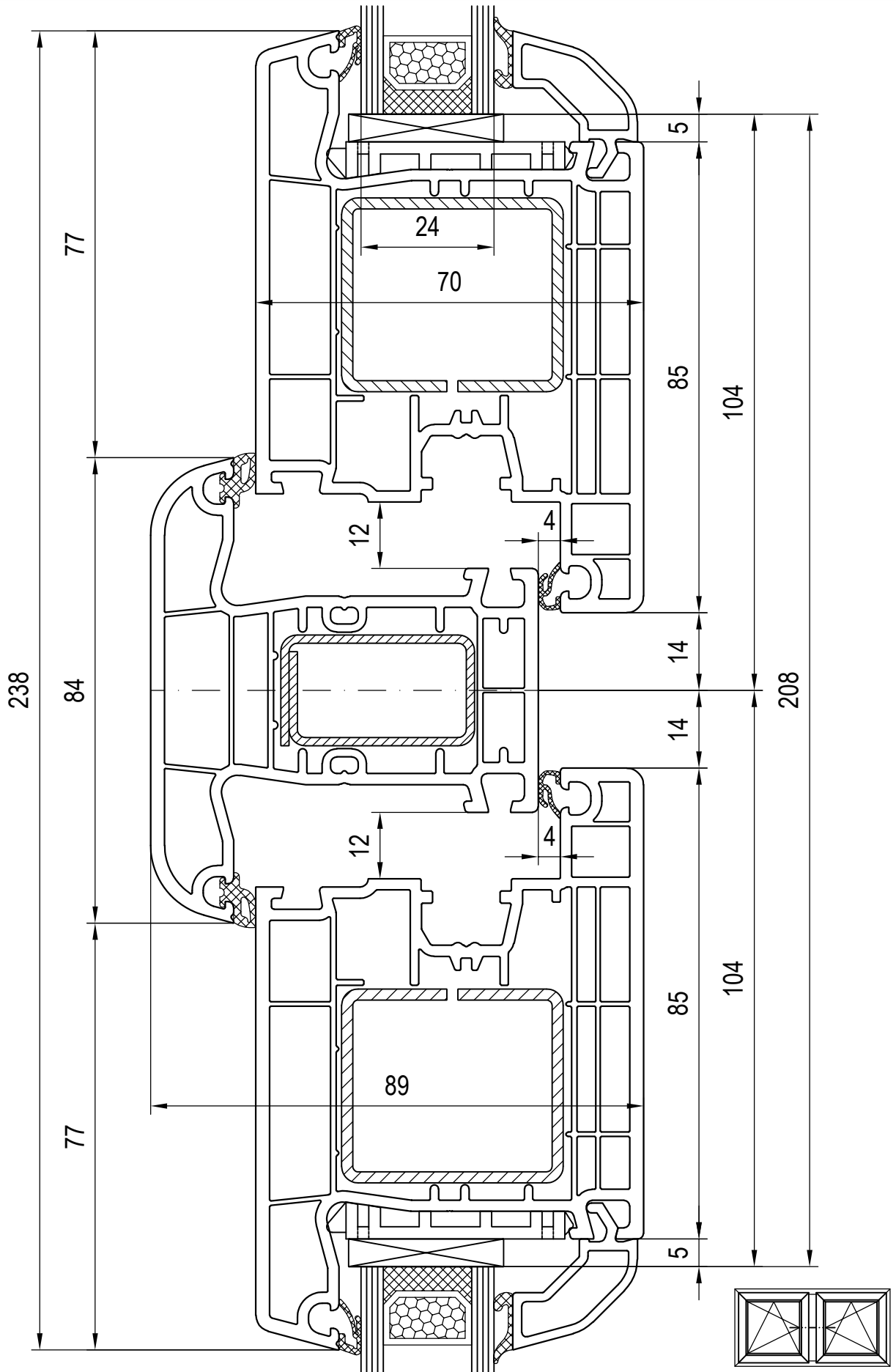




Scale 1:1  
03\_G\_01\_4\*  
en May be subject to change and errors excepted!

Combinations: sash - mullion - sash  
120846/120876 Glazing bead

Mullion 140x47  
Sash 140x28



Scale 1:1

03\_G\_01\_4\*

en May be subject to change and errors excepted!

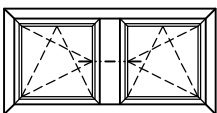
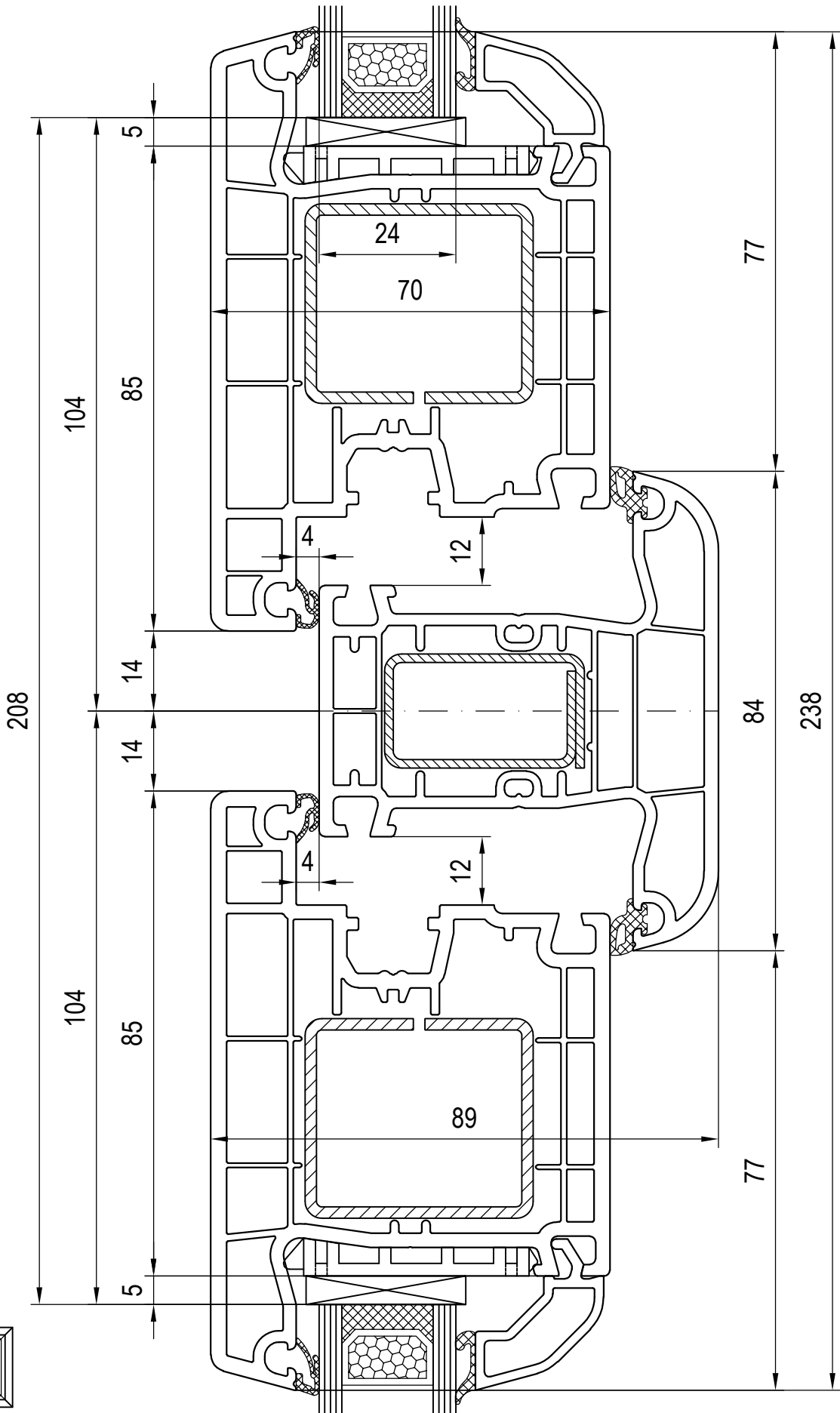
Combinations: sash - mullion - sash

120846/120876 Glazing bead

Mullion 140x47

Sash 140x30





Scale 1:1

03\_G\_01\_4\*

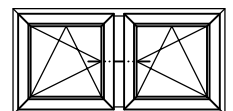
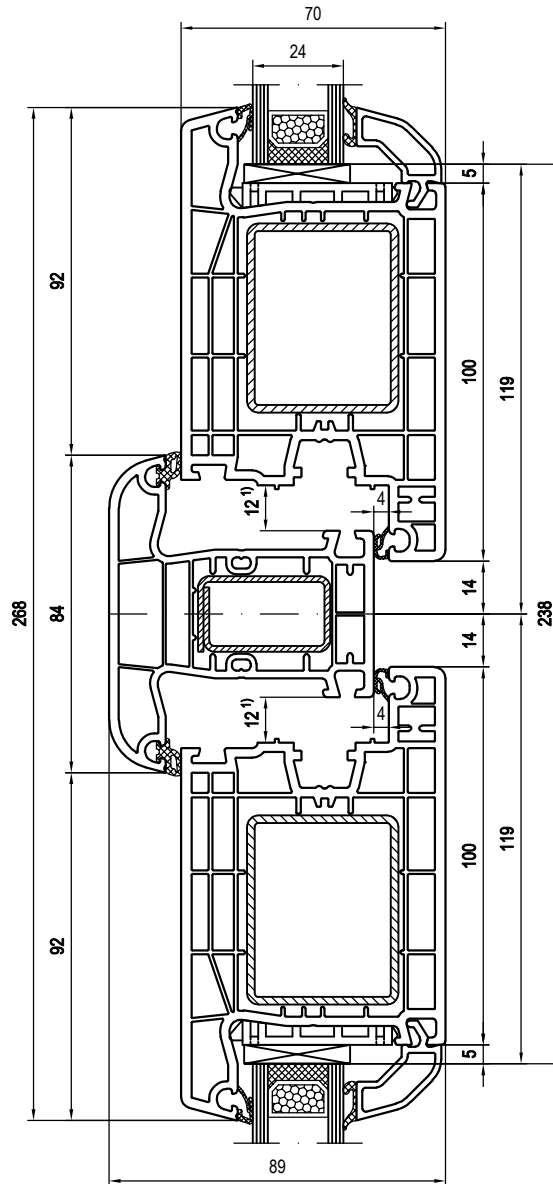
en May be subject to change and errors excepted!

Combinations: sash - mullion - sash

120846/120876 Glazing bead

Mullion 140x47

Sash 140x31



1) Rebate clearance of main entrance door on left and right side = 13 mm

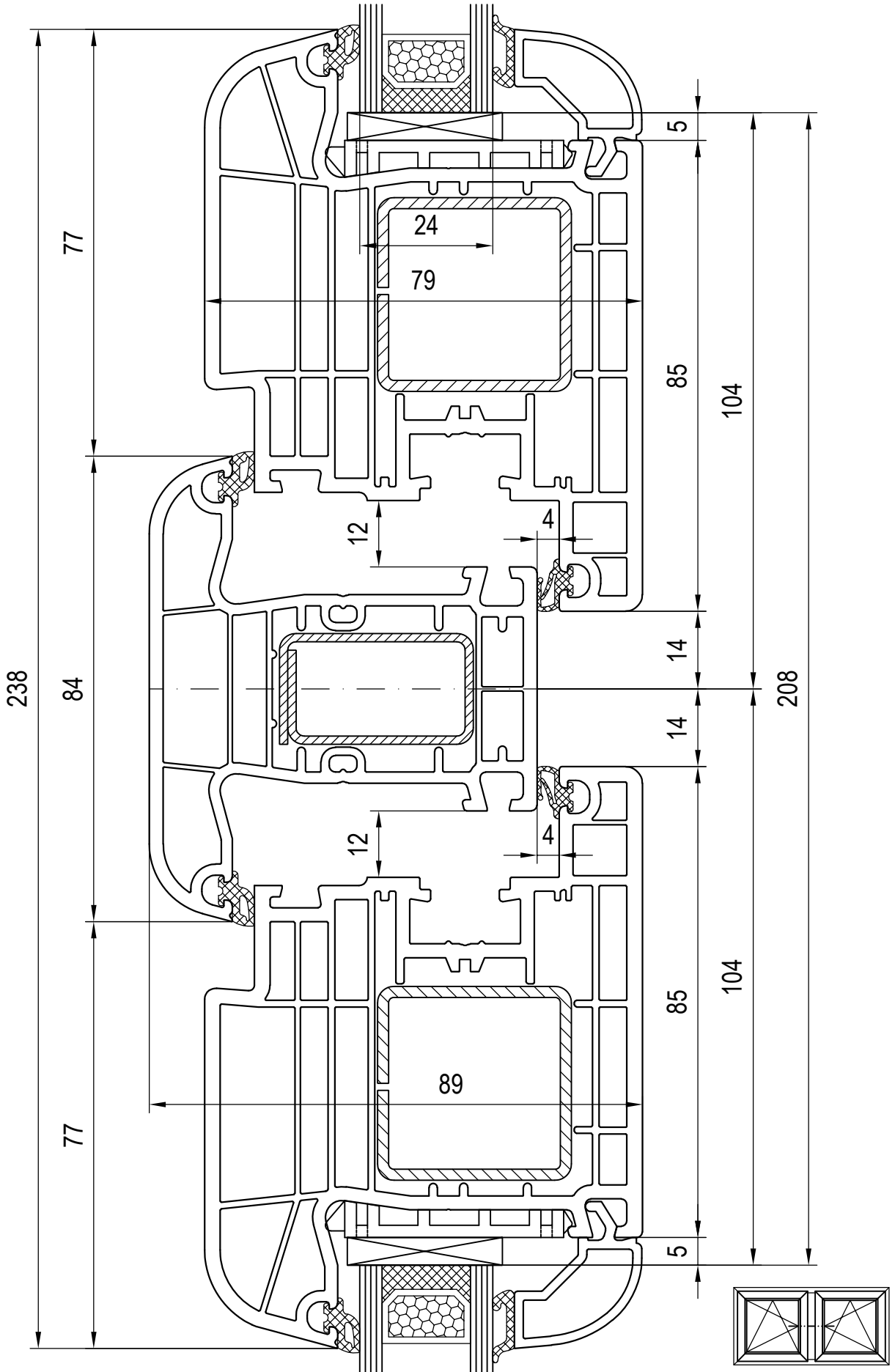
Scale 1:2

03\_G\_01\_4\*

en May be subject to change and errors excepted!

Combinations: sash - mullion - sash  
**120846/120876 Glazing bead**

**Mullion 140x47**  
**Sash 140x33**



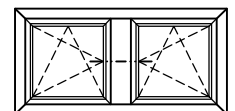
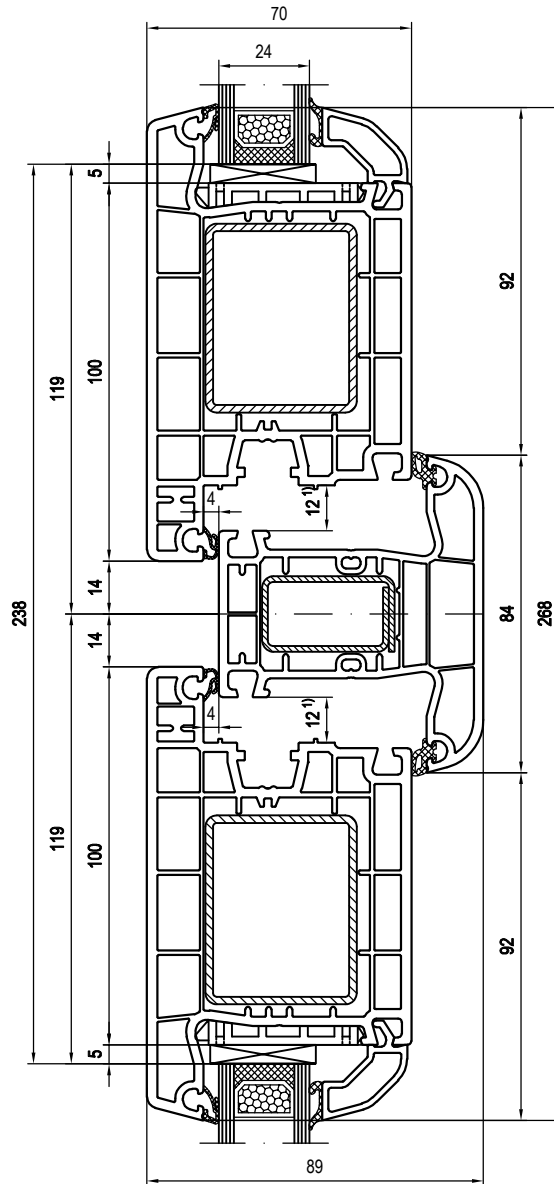
Scale 1:1

03\_G\_01\_4\*

en May be subject to change and errors excepted!

Combinations: sash - mullion - sash  
120850/120880 Glazing bead

Mullion 140x47  
Sash 140x34



1) Rebate clearance of main entrance door on left and right side = 13 mm

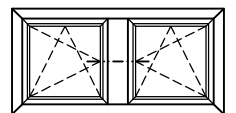
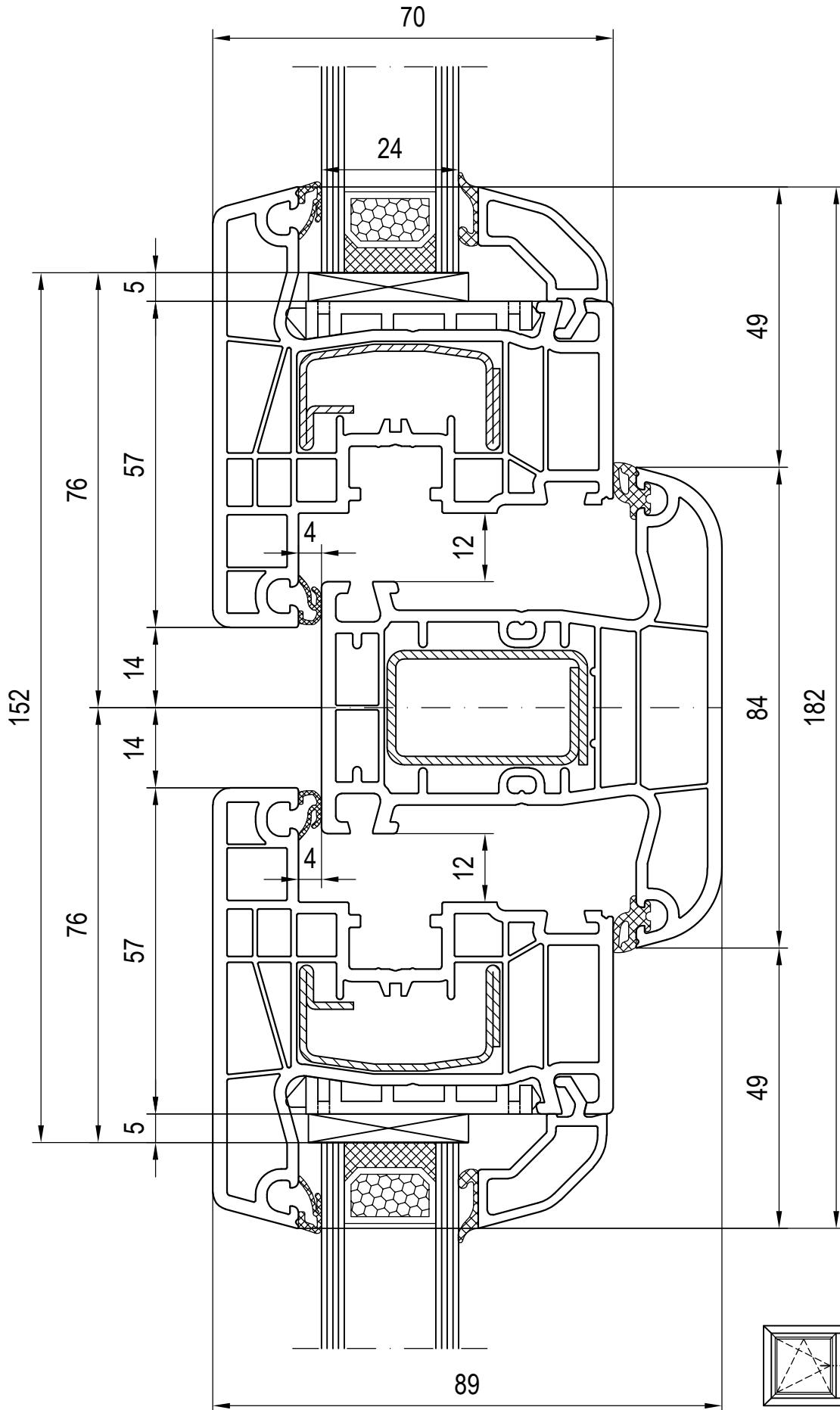
Scale 1:2

03\_G\_01\_4\*

en May be subject to change and errors excepted!

Combinations: sash - mullion - sash  
120846/120876 Glazing bead

Mullion 140x47  
Sash 140x35



Scale 1:1

03\_G\_01\_4\*

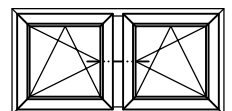
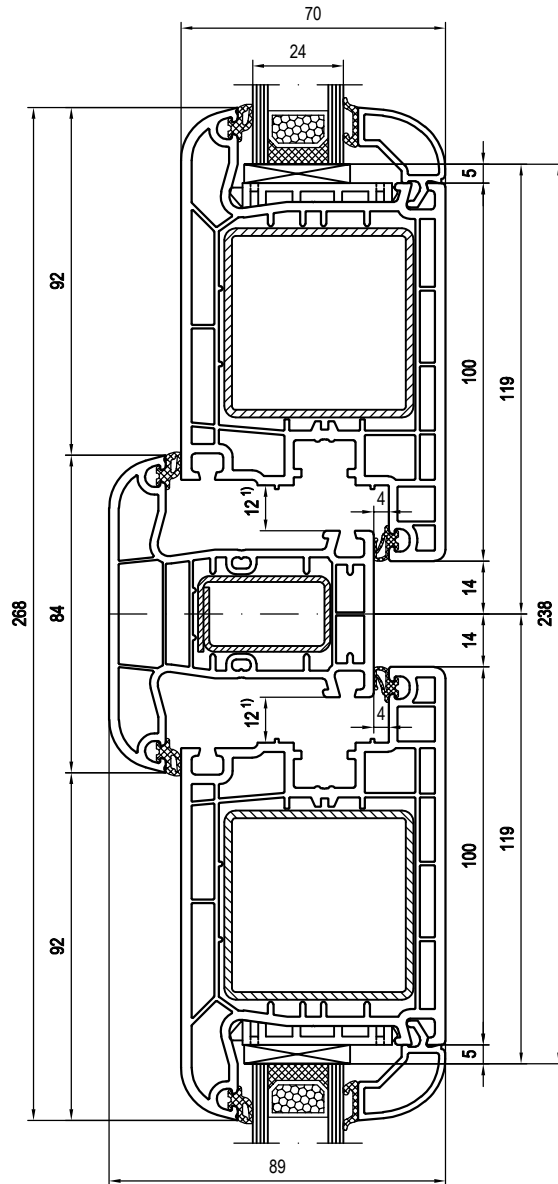
en May be subject to change and errors excepted!

Combinations: sash - mullion - sash

120846/120876 Glazing bead

Mullion 140x47

Sash 140x37



1) Rebate clearance of main entrance door on left and right side = 13 mm

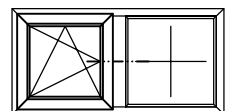
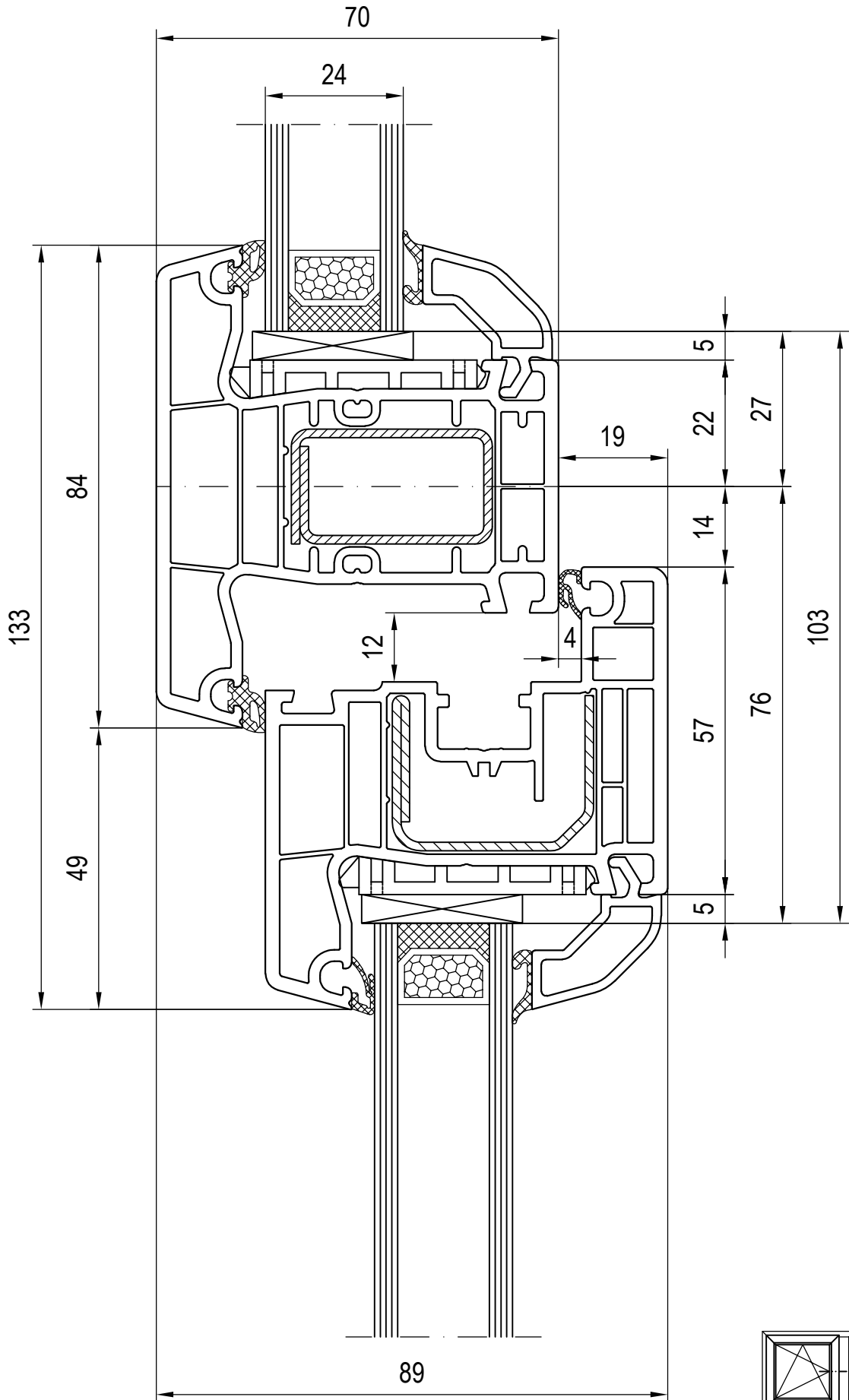
Scale 1:2

03\_G\_01\_4\*

en May be subject to change and errors excepted!

Combinations: sash - mullion - sash  
**120850/120880 Glazing bead**

**Mullion 140x47**  
**Sash 140x38**



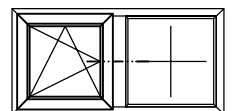
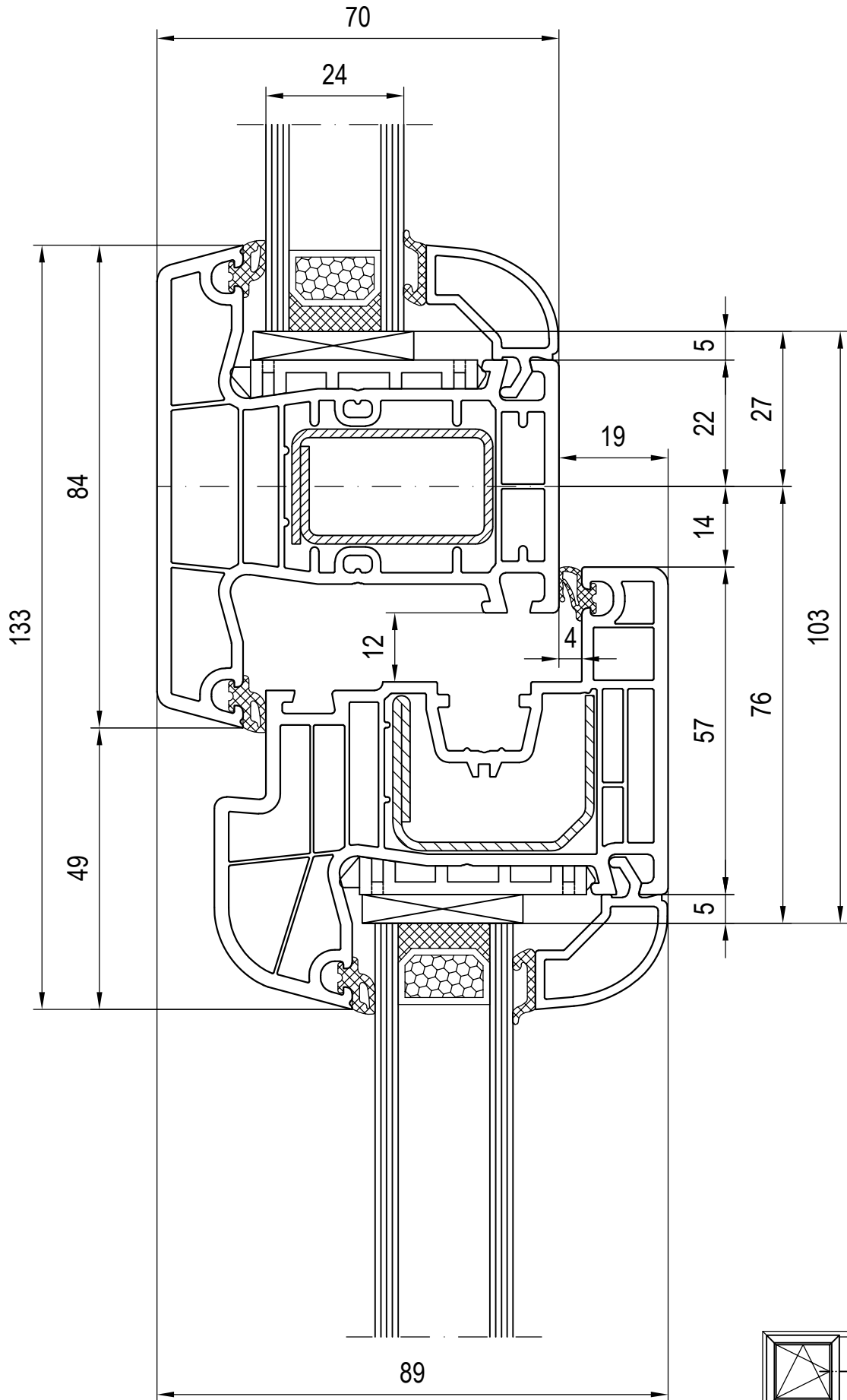
Scale 1:1

03\_H\_01\_4\*

en May be subject to change and errors excepted!

Combinations: sash - mullion - fixed glazing  
120846/120876 Glazing bead

Mullion 140x41  
Sash 140x20



Scale 1:1

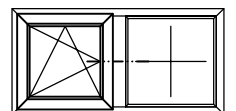
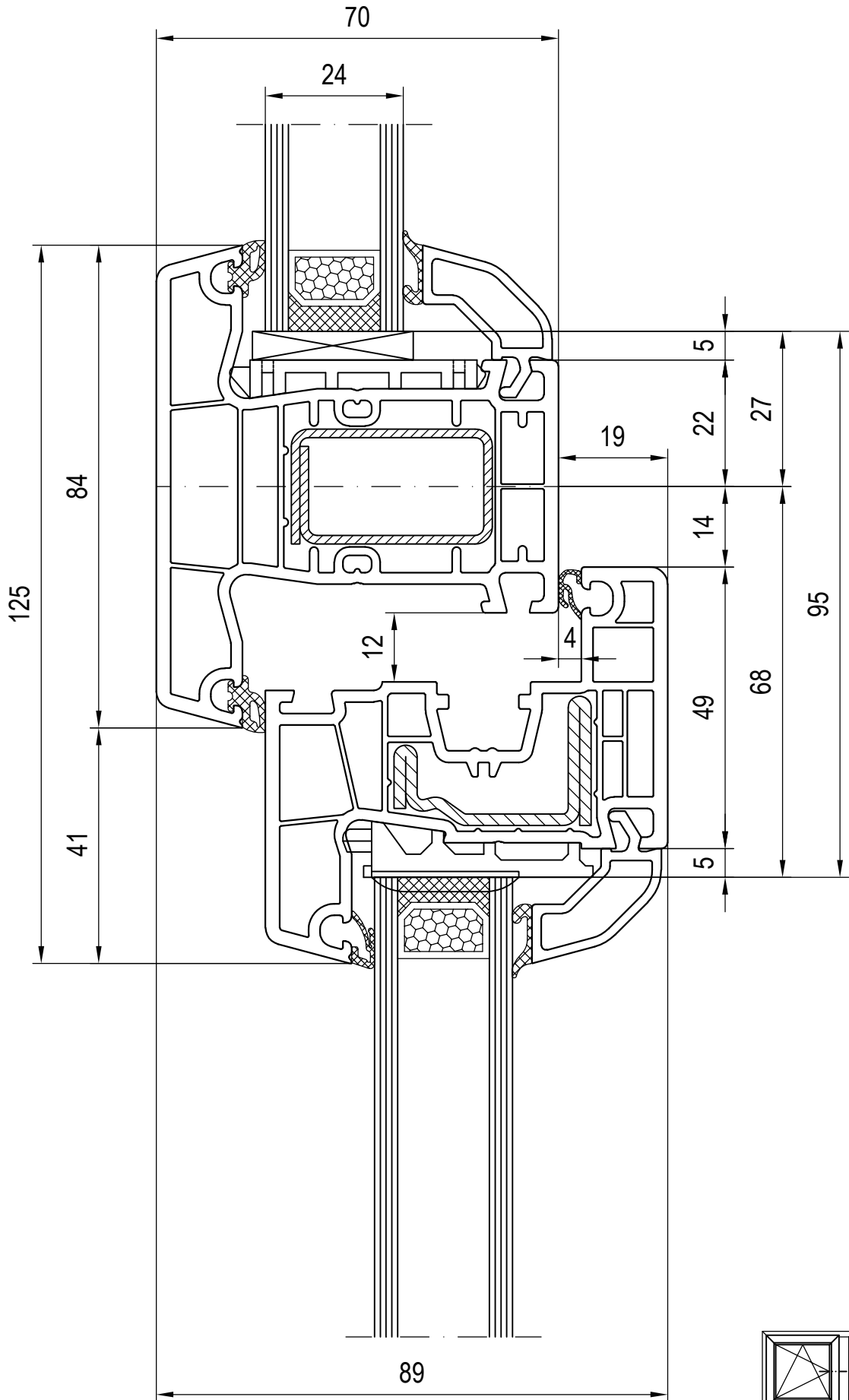
03\_H\_01\_4\*

en May be subject to change and errors excepted!

Combinations: sash - mullion - fixed glazing  
120850/120880 Glazing bead

Mullion 140x41  
Sash 140x22





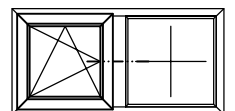
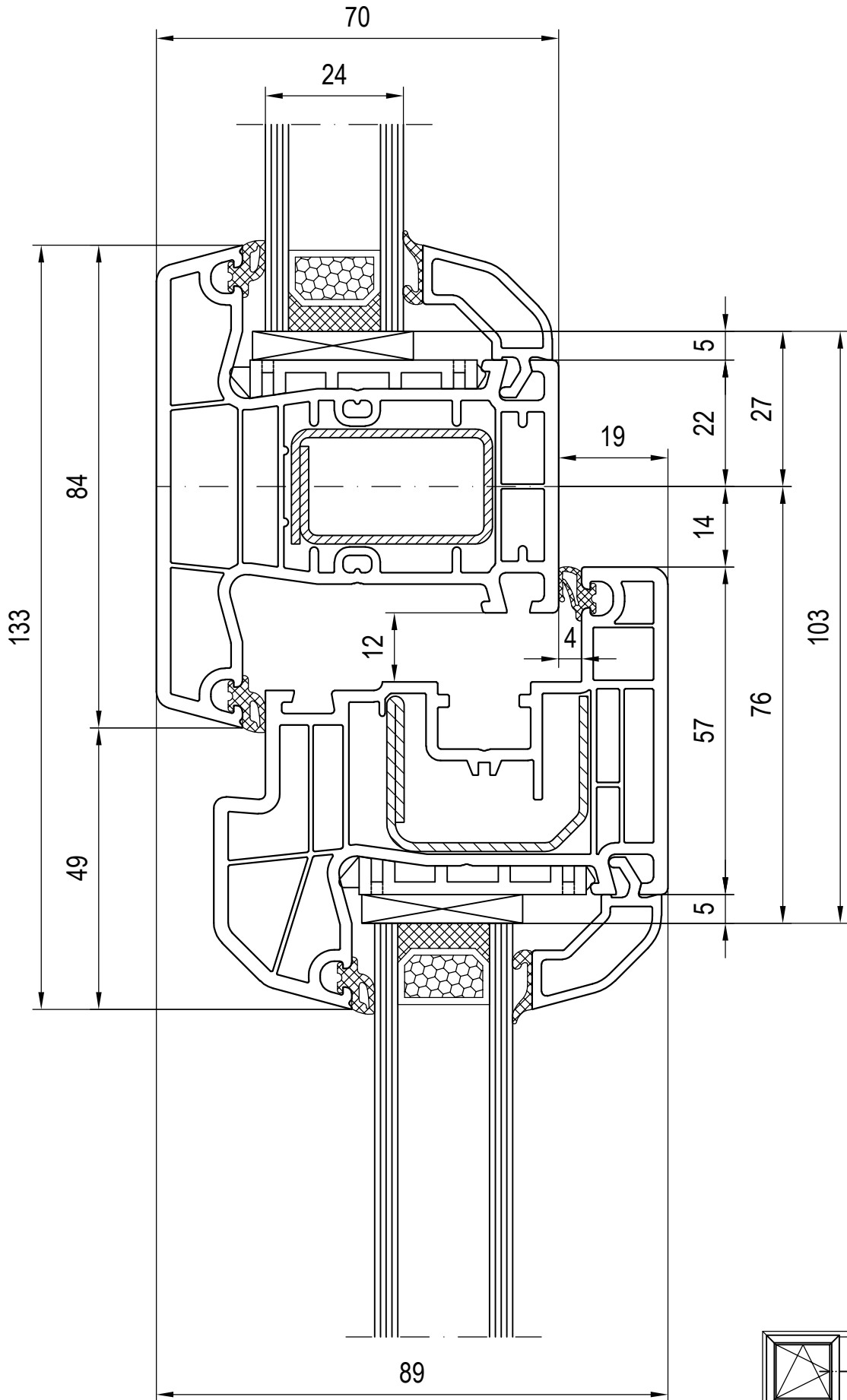
Scale 1:1

03\_H\_01\_4\*

en May be subject to change and errors excepted!

Combinations: sash - mullion - fixed glazing  
120846/120876 Glazing bead

Mullion 140x41  
Sash 140x24



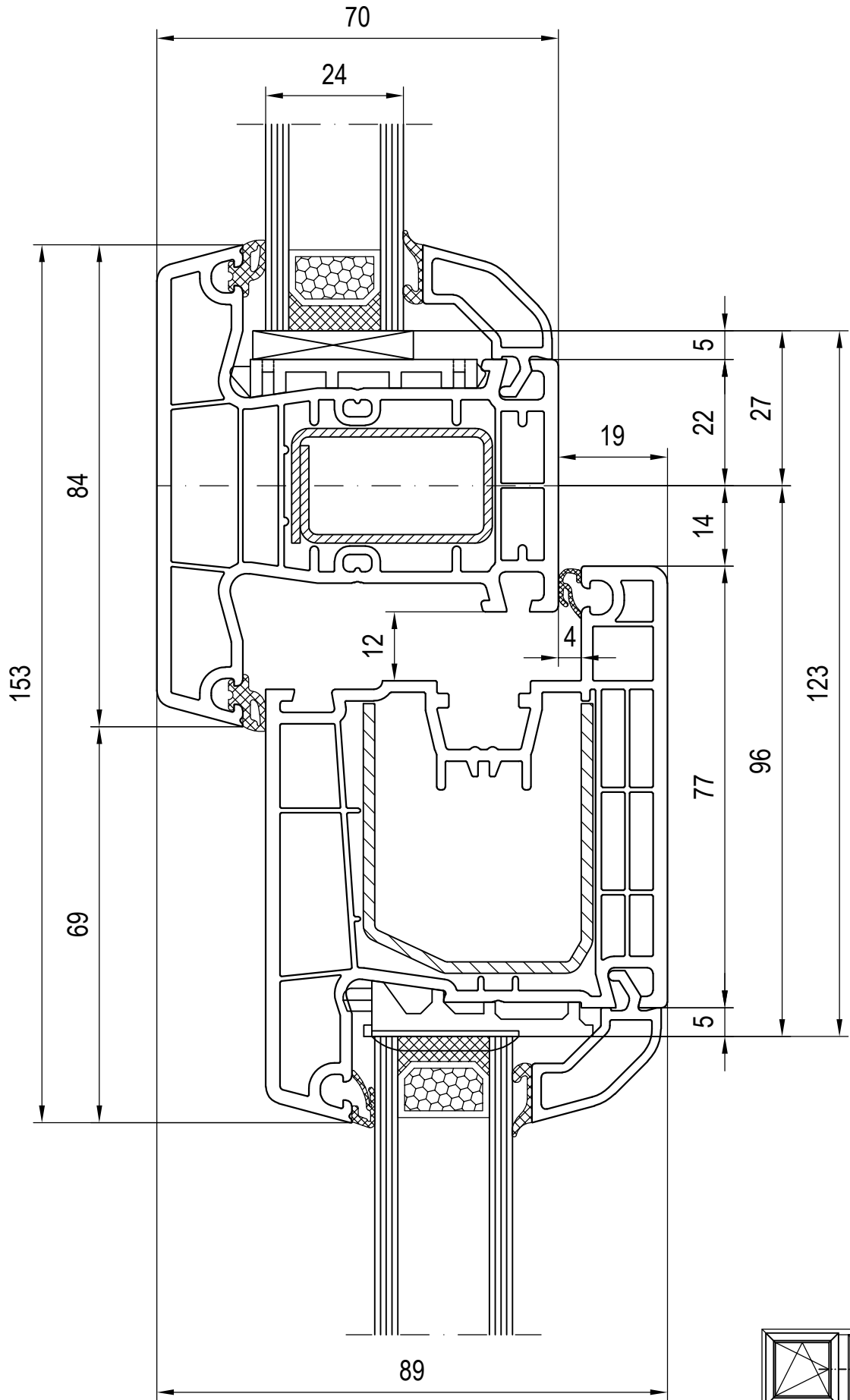
Scale 1:1

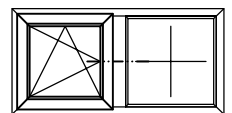
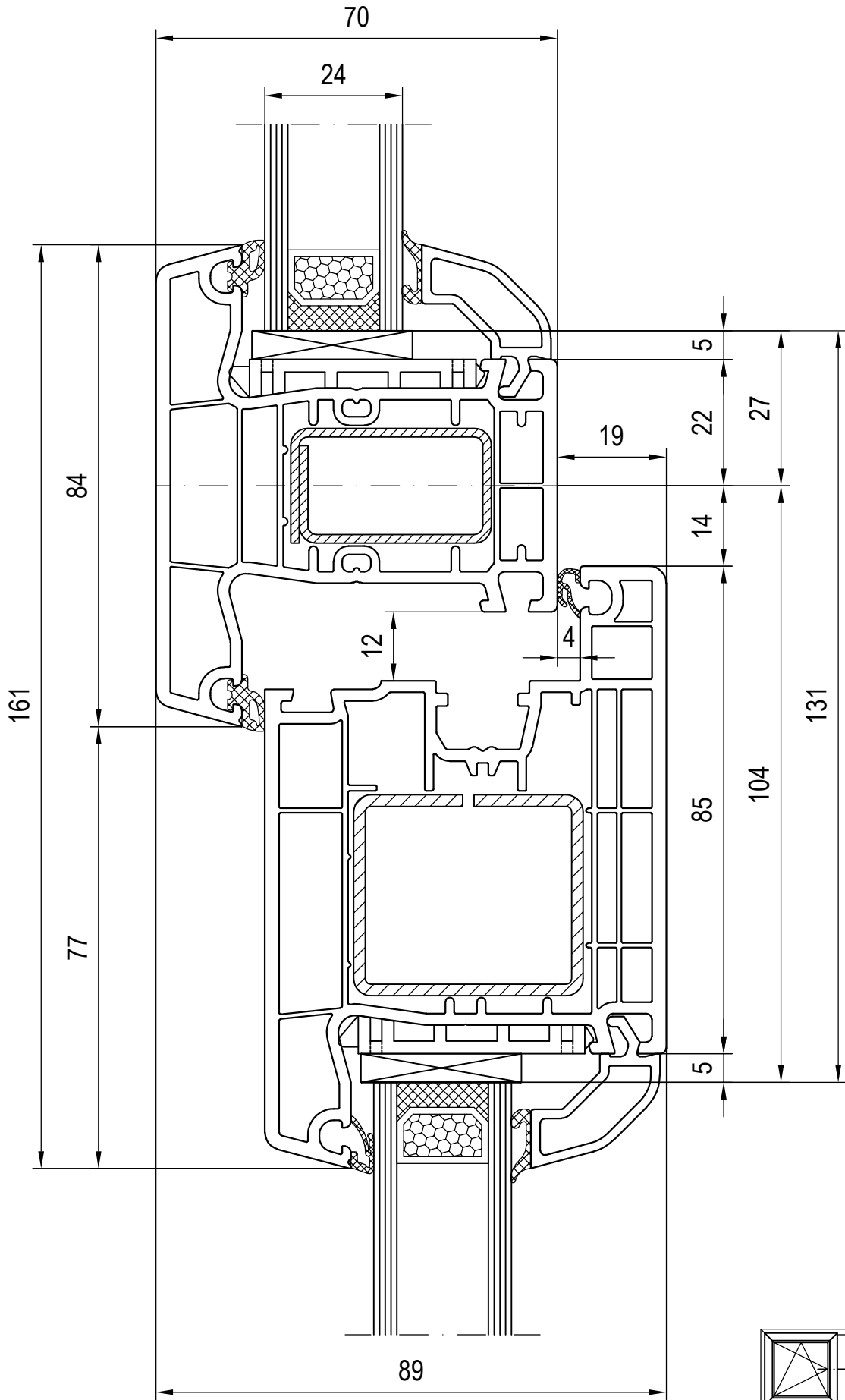
03\_H\_01\_4\*

en May be subject to change and errors excepted!

Combinations: sash - mullion - fixed glazing  
120846/120876 Glazing bead

Mullion 140x41  
Sash 140x26





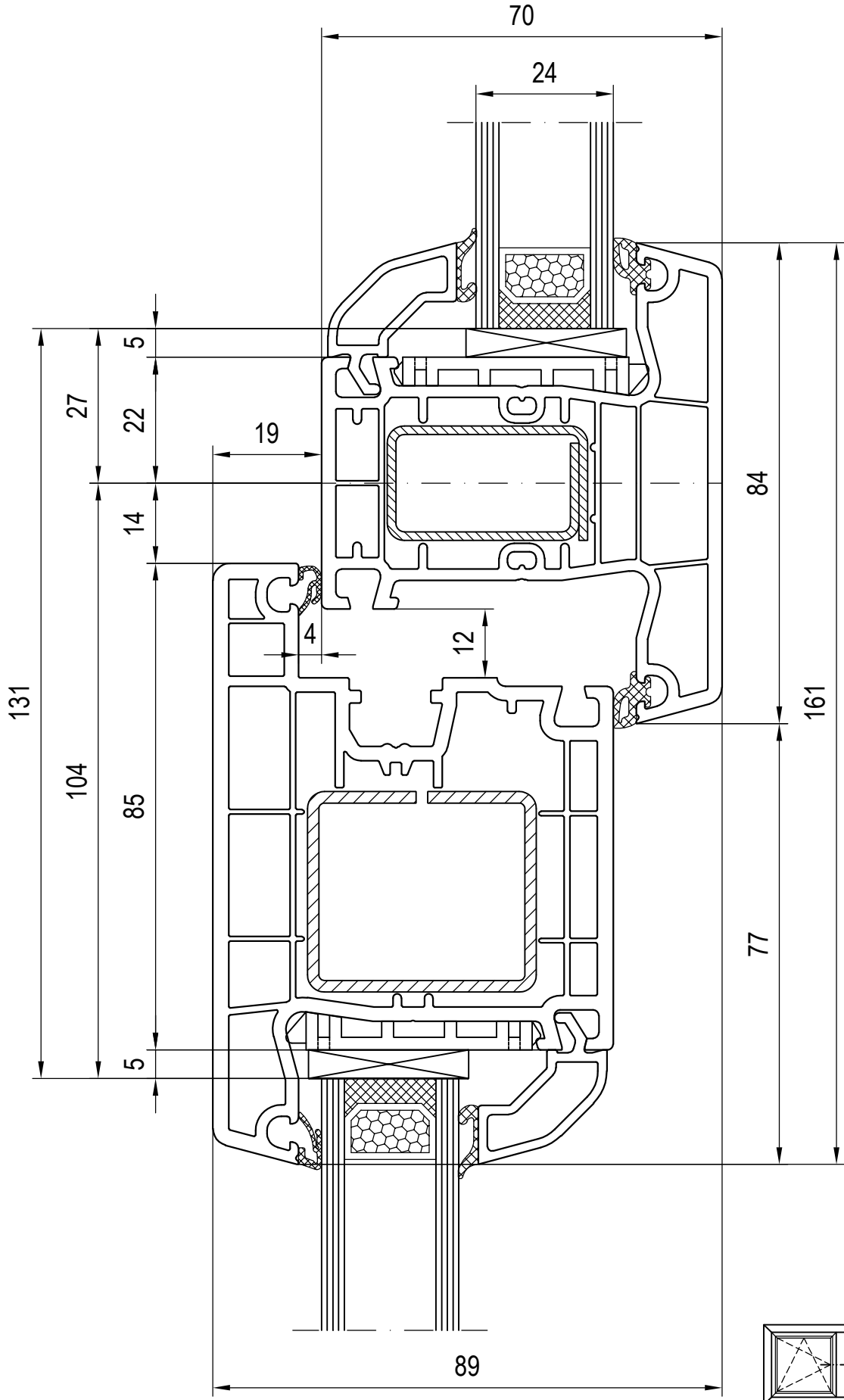
Scale 1:1

03\_H\_01\_4\*

en May be subject to change and errors excepted!

Combinations: sash - mullion - fixed glazing  
120846/120876 Glazing bead

Mullion 140x41  
Sash 140x30



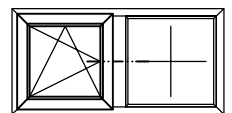
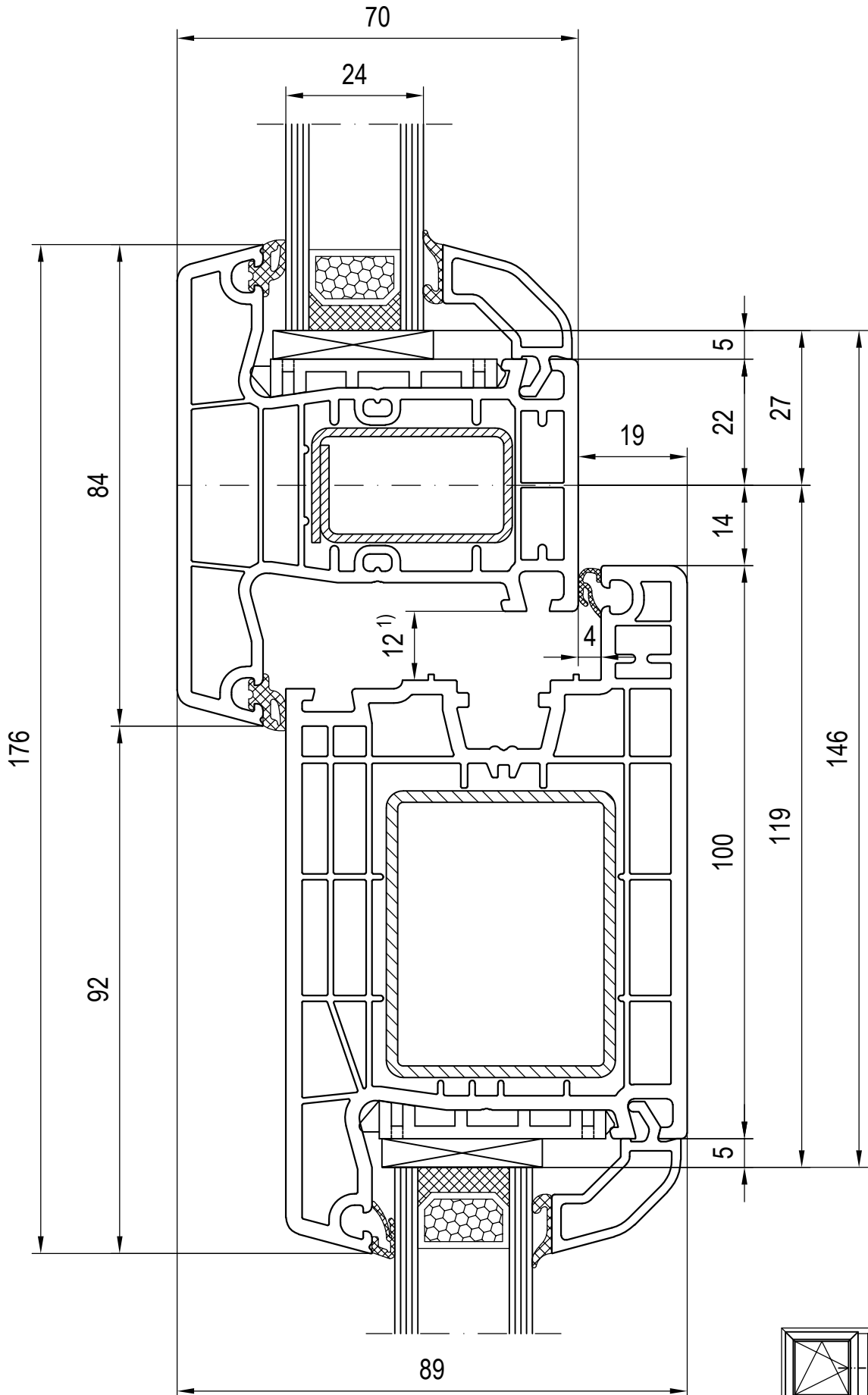
Scale 1:1

03\_H\_01\_4\*

en May be subject to change and errors excepted!

Combinations: sash - mullion - fixed glazing  
120846/120876 Glazing bead

Mullion 140x41  
Sash 140x31



1) Rebate clearance of main entrance door on left and right side = 13 mm

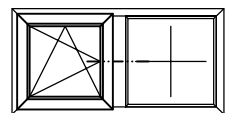
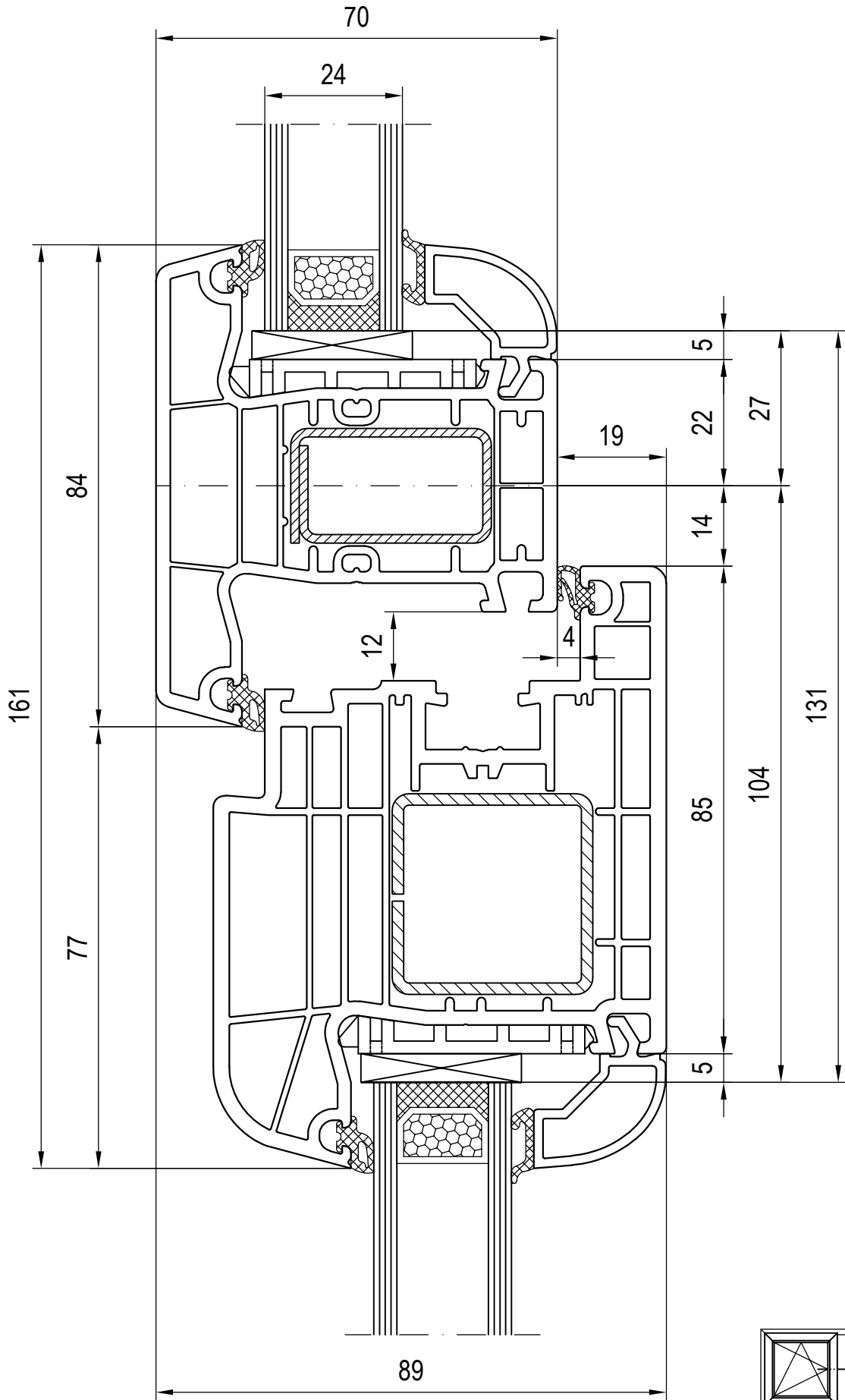
Scale 1:1

03\_H\_01\_4\*

en May be subject to change and errors excepted!

Combinations: sash - mullion - fixed glazing  
120846/120876 Glazing bead

Mullion 140x41  
Sash 140x33



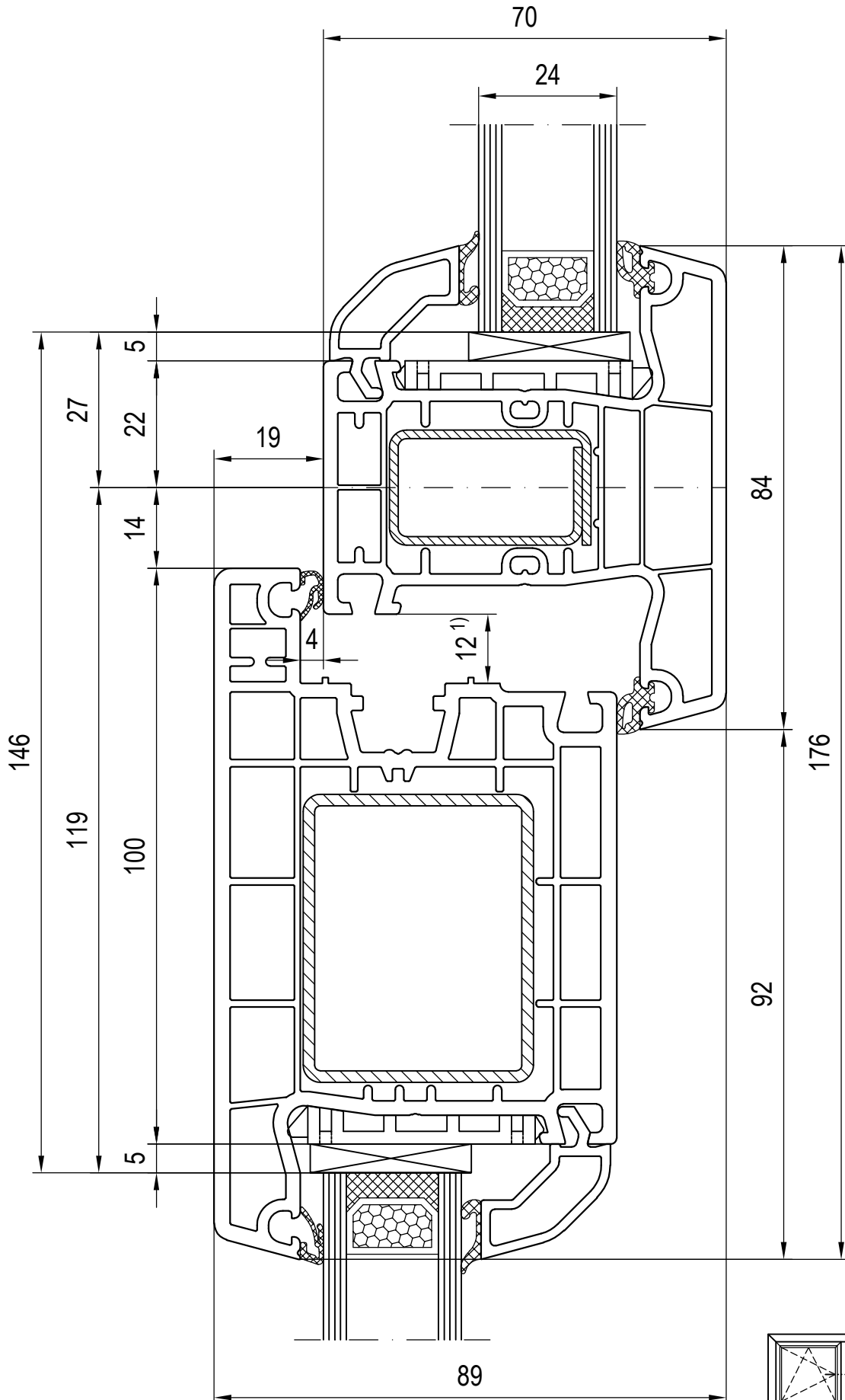
Scale 1:1

03\_H\_01\_4\*

en May be subject to change and errors excepted!

Combinations: sash - mullion - fixed glazing  
120850/120880 Glazing bead

Mullion 140x41  
Sash 140x34



1) Rebate clearance of main entrance door on left and right side = 13 mm

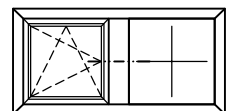
Scale 1:1

03\_H\_01\_4\*

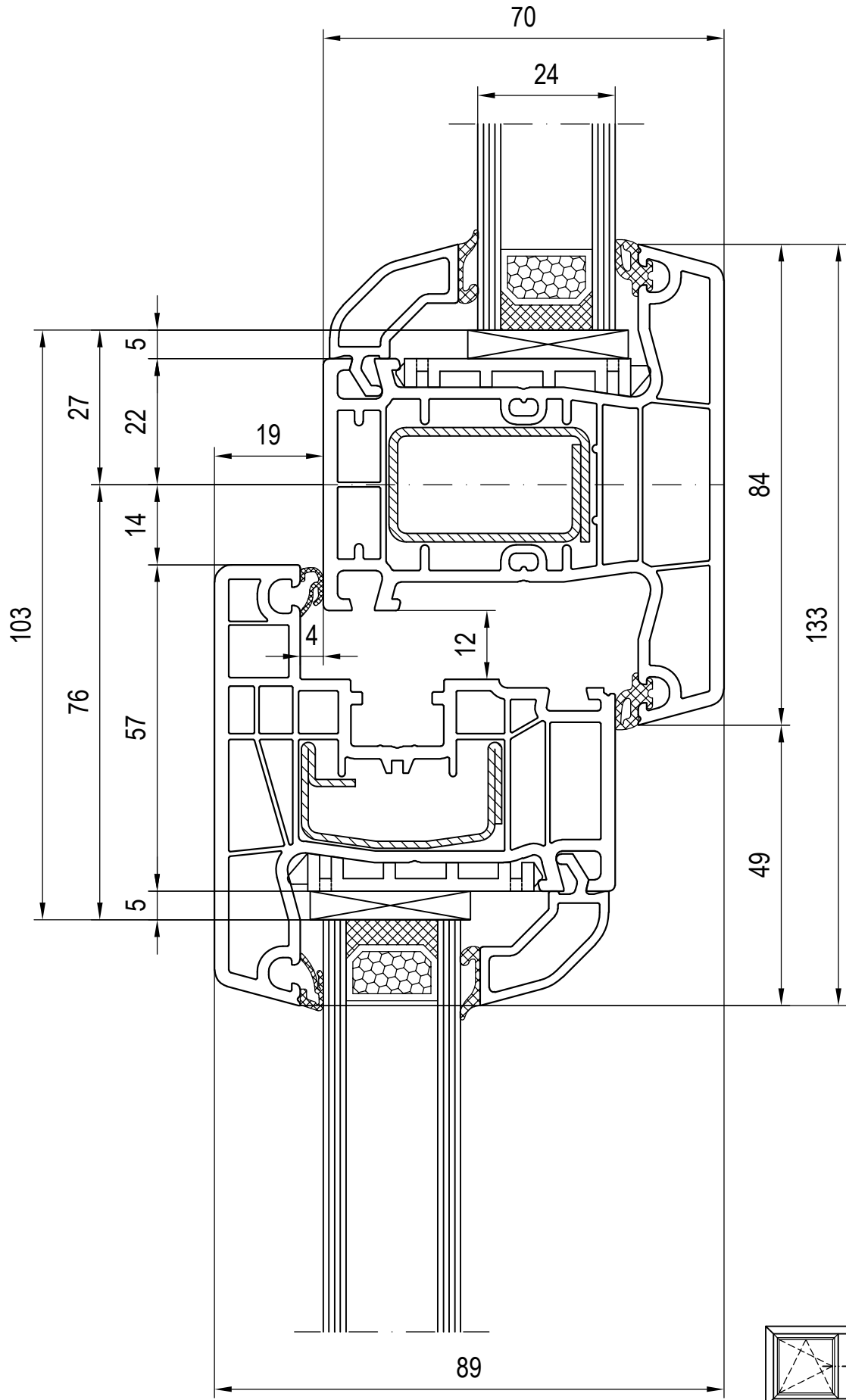
en May be subject to change and errors excepted!

Combinations: sash - mullion - fixed glazing  
120846/120876 Glazing bead

Mullion 140x41  
Sash 140x35







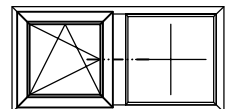
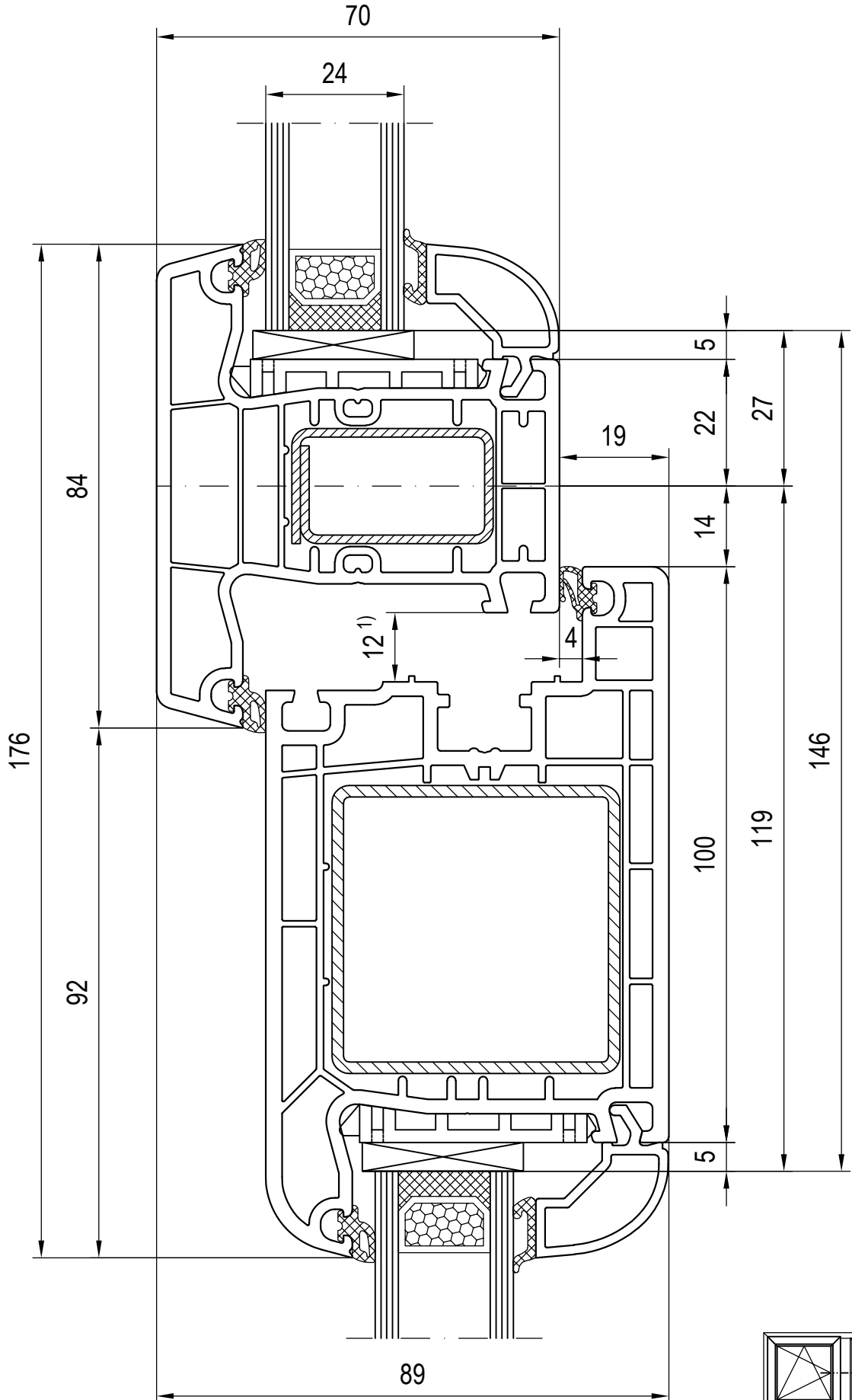
Scale 1:1

03\_H\_01\_4\*

en May be subject to change and errors excepted!

Combinations: sash - mullion - fixed glazing  
120846/120876 Glazing bead

Mullion 140x41  
Sash 140x37



1) Rebate clearance of main entrance door on left and right side = 13 mm

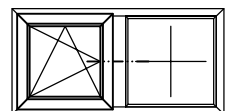
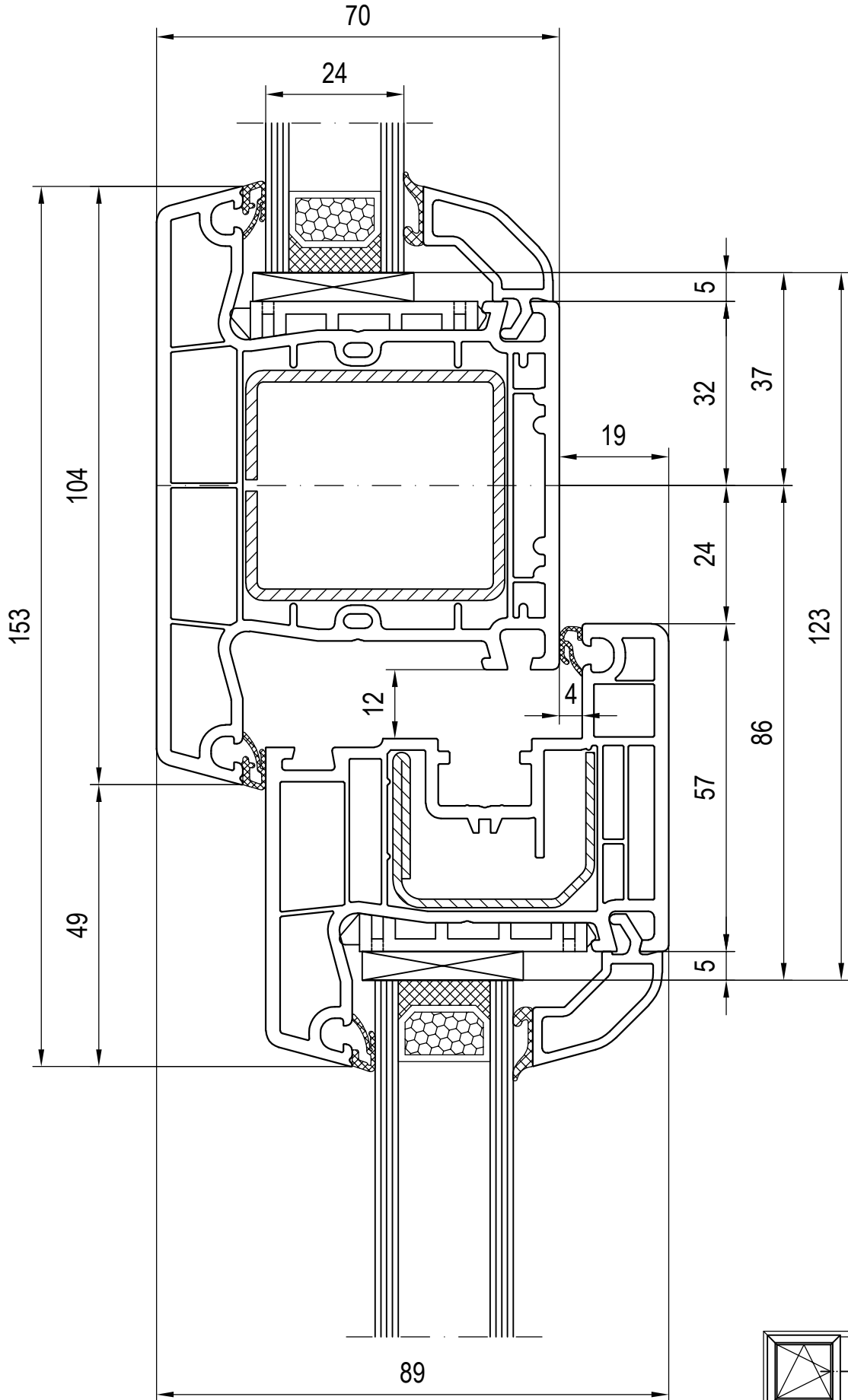
Scale 1:1

03\_H\_01\_4\*

en May be subject to change and errors excepted!

Combinations: sash - mullion - fixed glazing  
120850/120880 Glazing bead

Mullion 140x41  
Sash 140x38



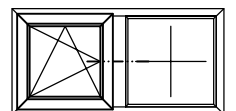
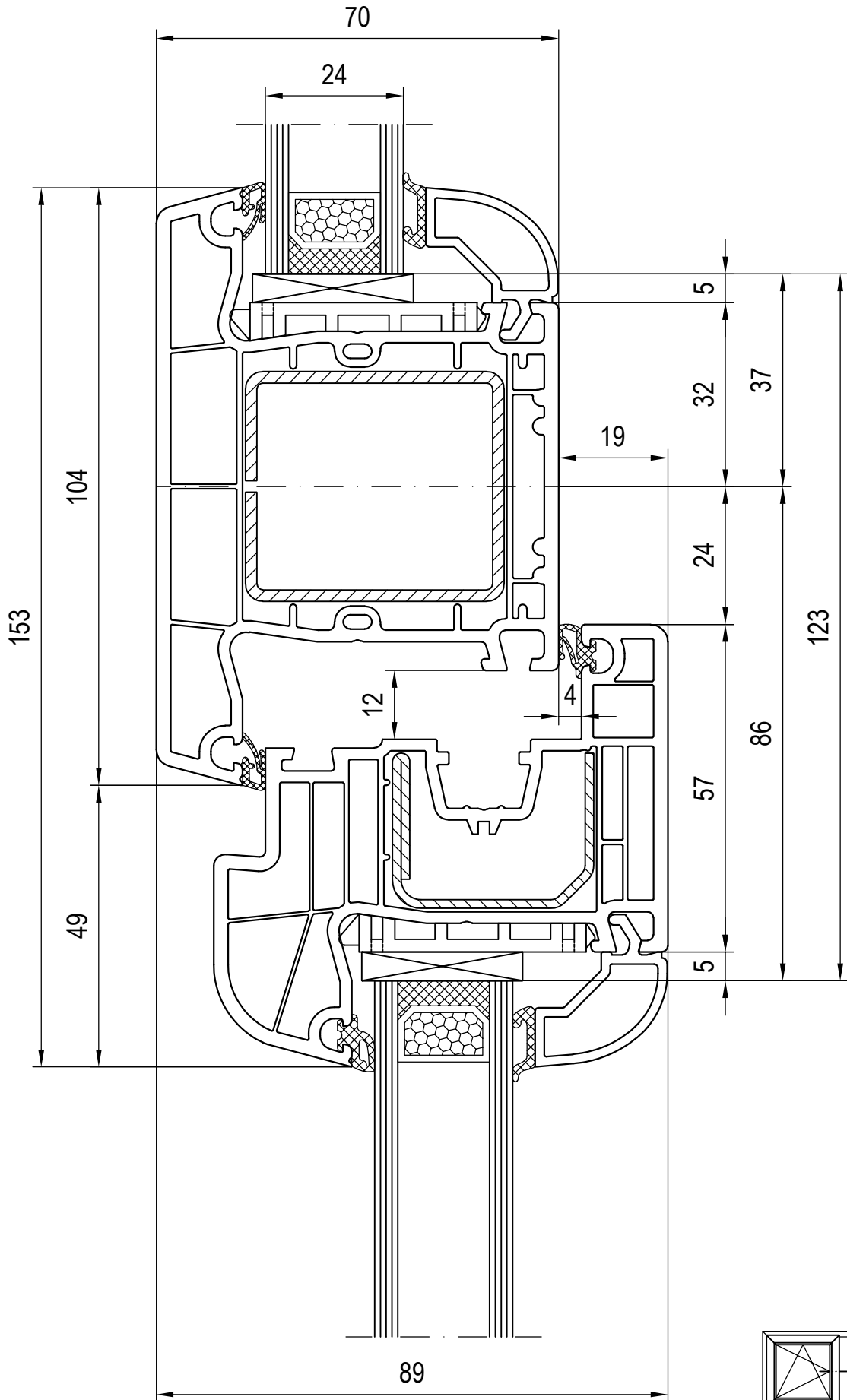
Scale 1:1

03\_H\_01\_4\*

en May be subject to change and errors excepted!

Combinations: sash - mullion - fixed glazing  
120846/120876 Glazing bead

Mullion 140x45  
Sash 140x20



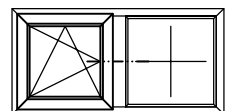
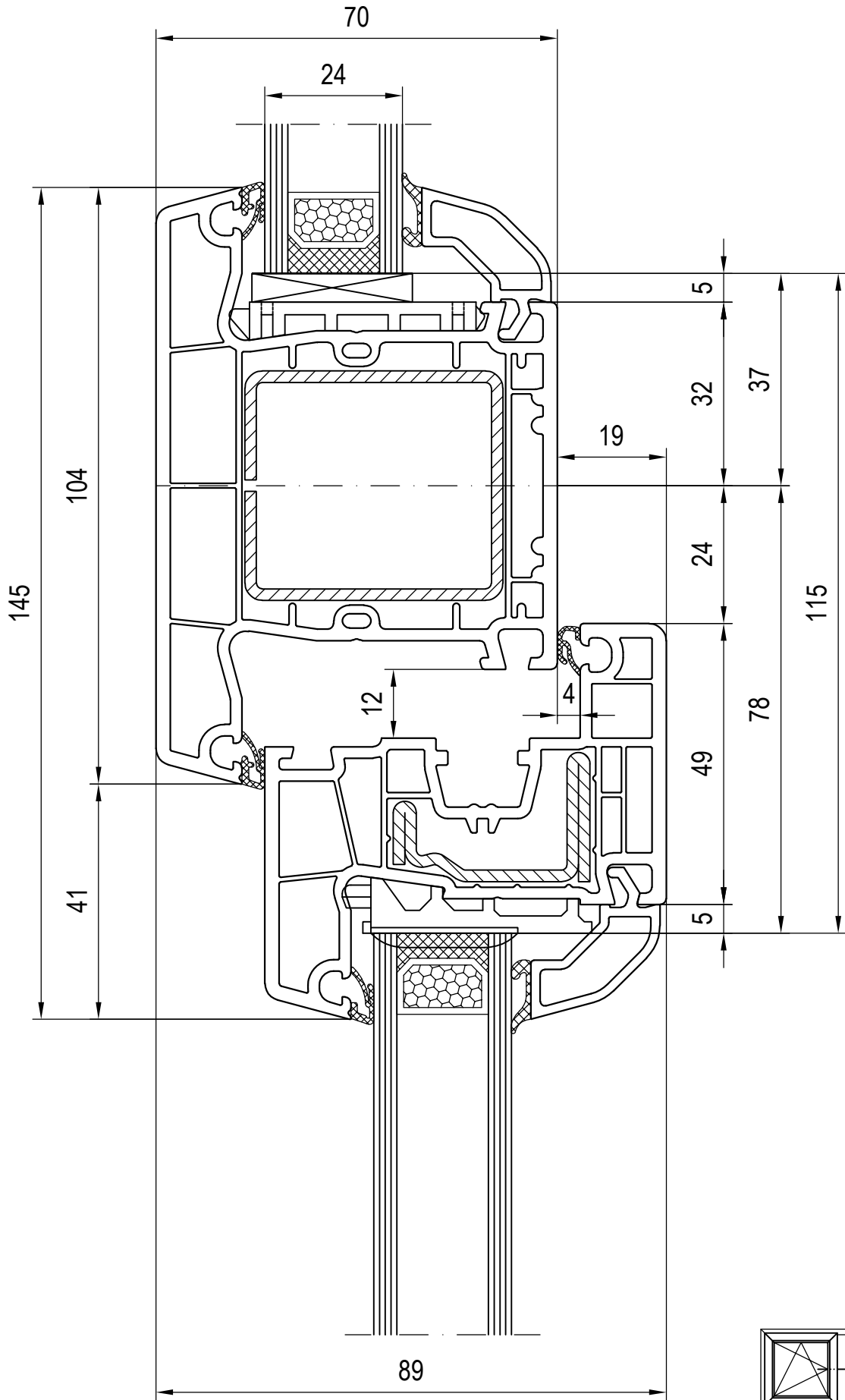
Scale 1:1

03\_H\_01\_4\*

en May be subject to change and errors excepted!

Combinations: sash - mullion - fixed glazing  
120850/120880 Glazing bead

Mullion 140x45  
Sash 140x22



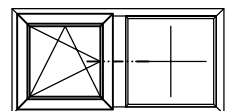
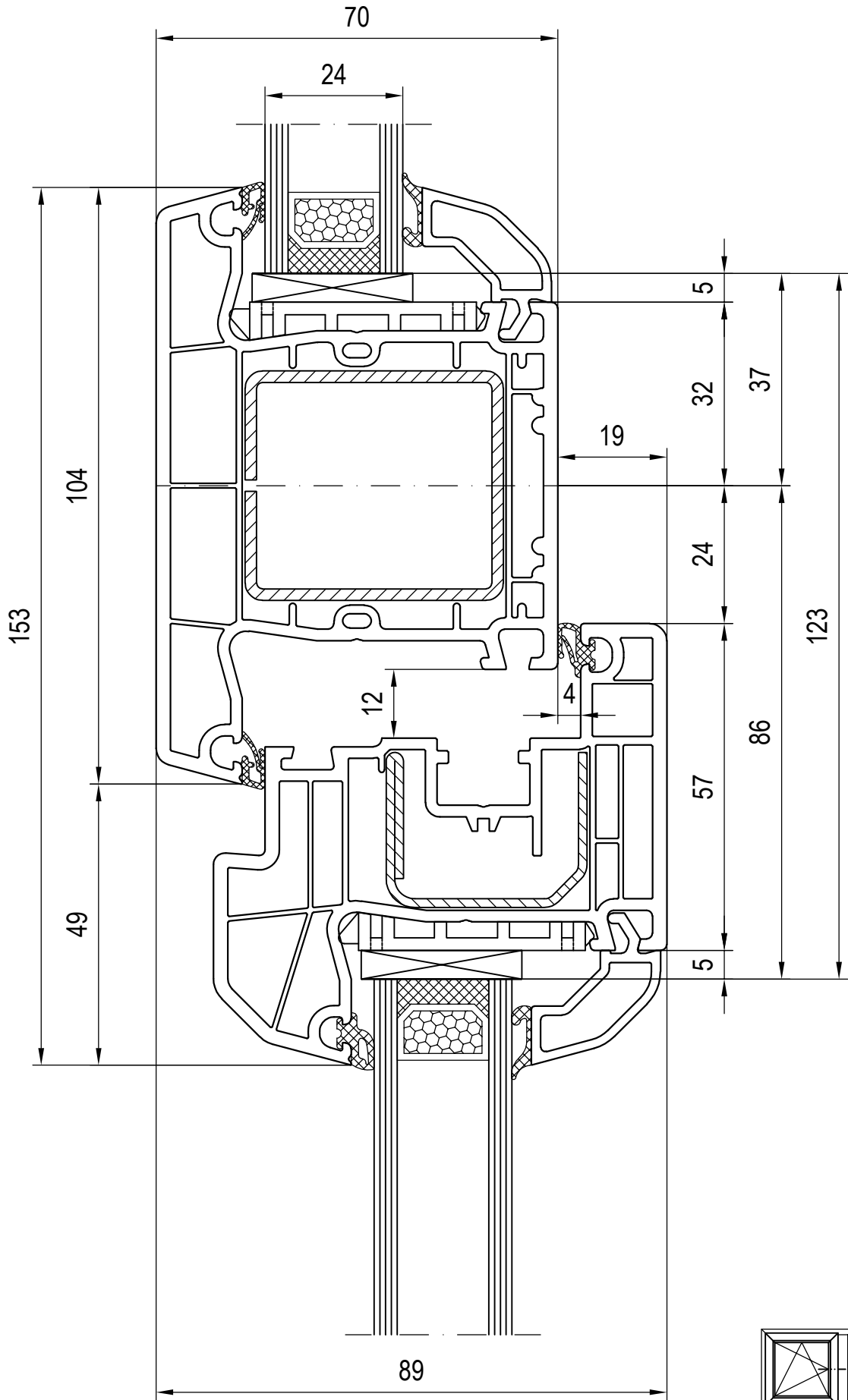
Scale 1:1

03\_H\_01\_4\*

en May be subject to change and errors excepted!

Combinations: sash - mullion - fixed glazing  
120846/120876 Glazing bead

Mullion 140x45  
Sash 140x24



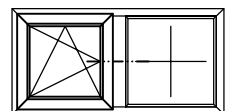
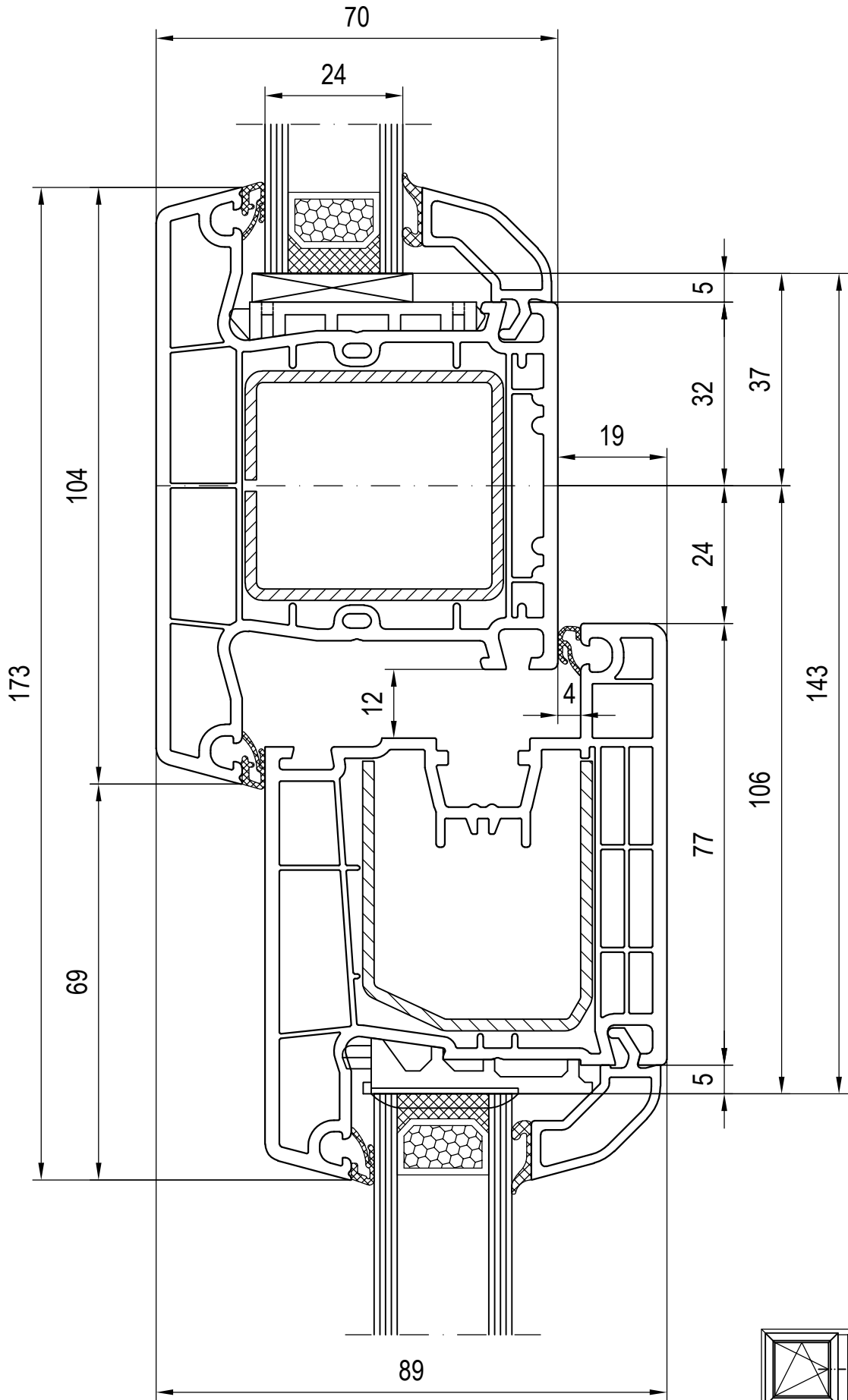
Scale 1:1

03\_H\_01\_4\*

en May be subject to change and errors excepted!

Combinations: sash - mullion - fixed glazing  
120846/120876 Glazing bead

Mullion 140x45  
Sash 140x26



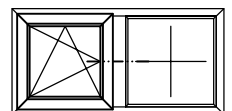
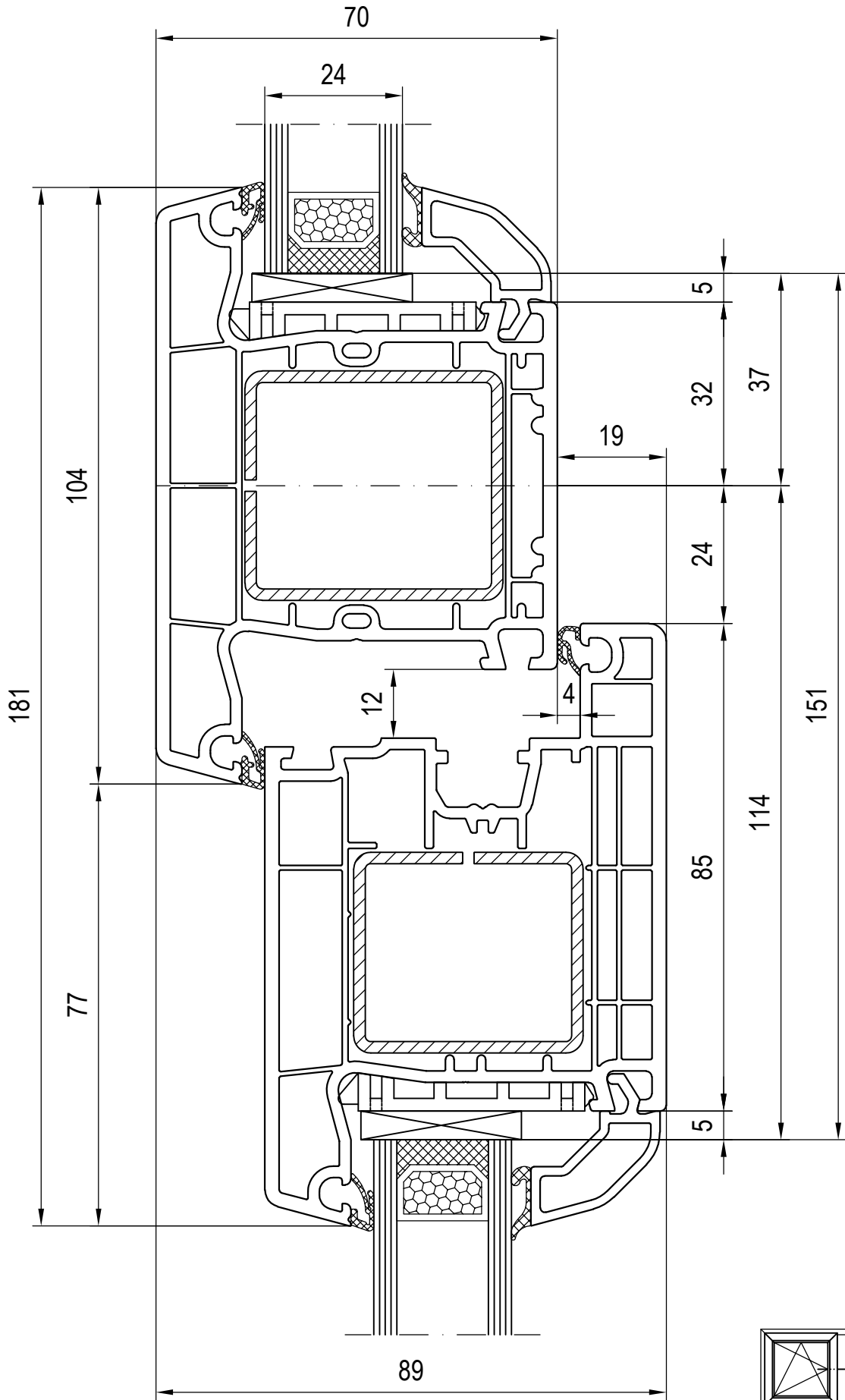
Scale 1:1

03\_H\_01\_4\*

en May be subject to change and errors excepted!

Combinations: sash - mullion - fixed glazing  
120846/120876 Glazing bead

Mullion 140x45  
Sash 140x28



Scale 1:1

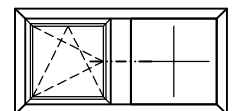
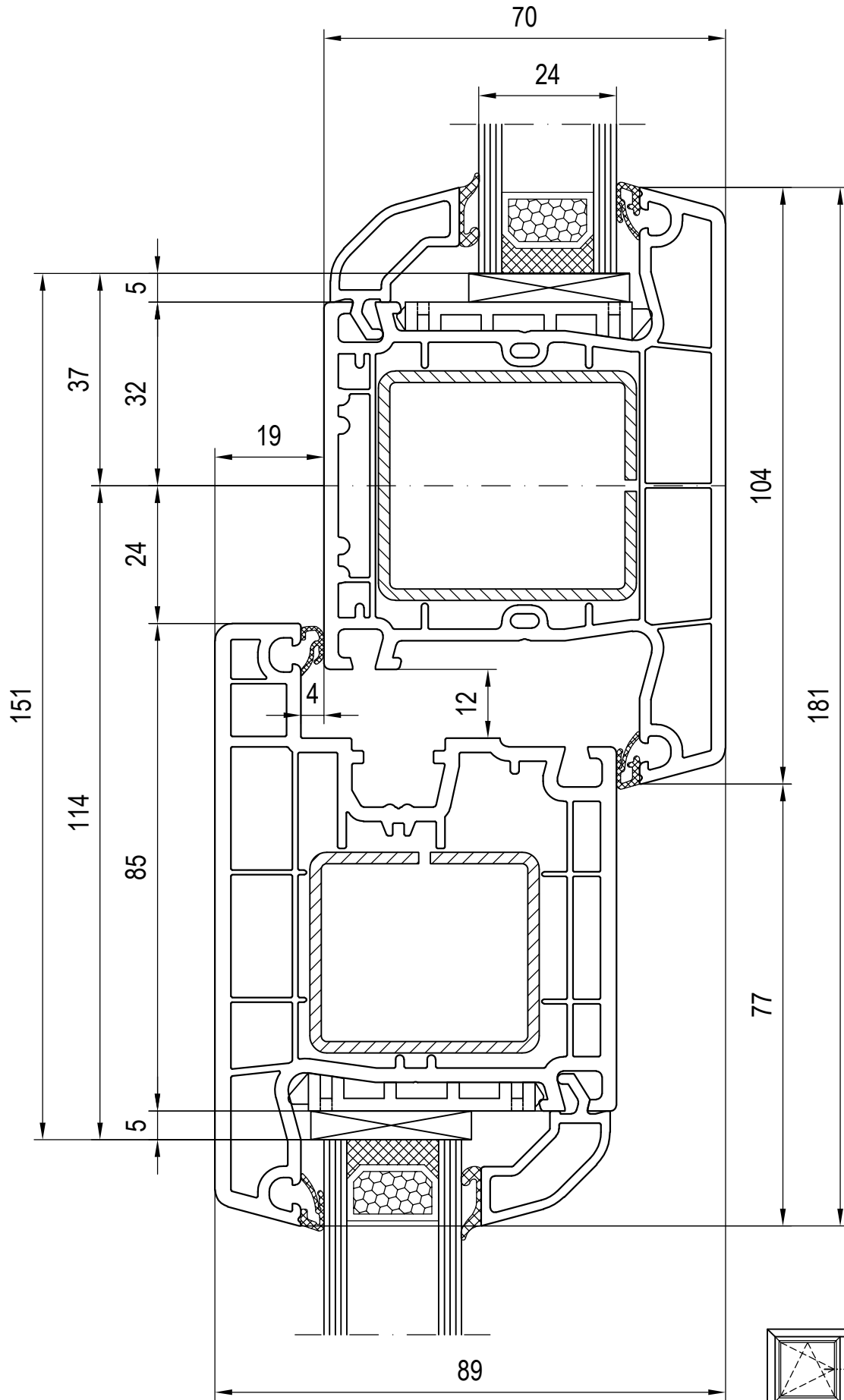
03\_H\_01\_4\*

en May be subject to change and errors excepted!

Combinations: sash - mullion - fixed glazing  
120846/120876 Glazing bead

Mullion 140x45  
Sash 140x30





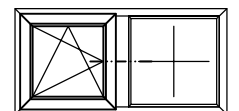
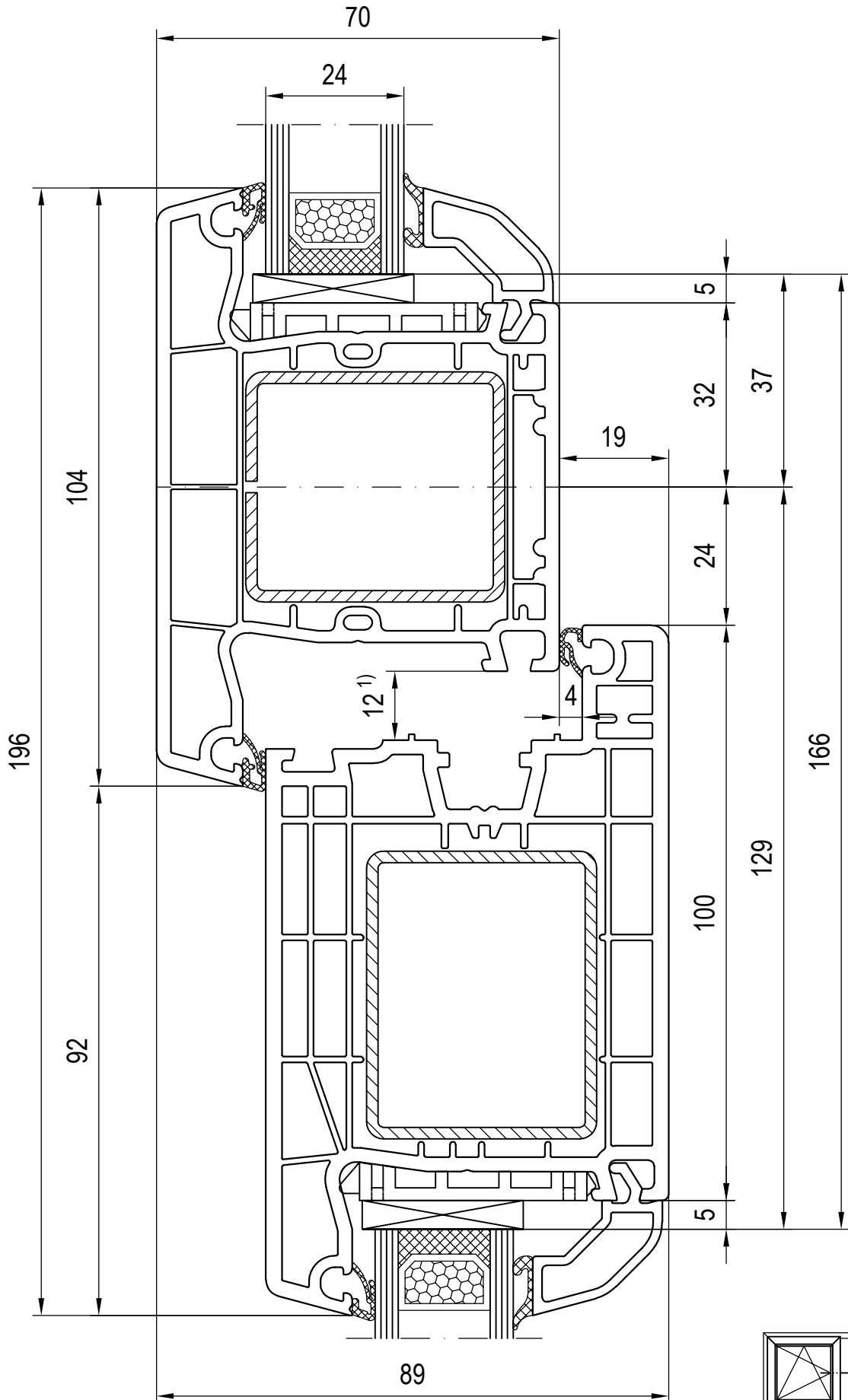
Scale 1:1

03\_H\_01\_4\*

en May be subject to change and errors excepted!

Combinations: sash - mullion - fixed glazing  
120846/120876 Glazing bead

Mullion 140x45  
Sash 140x31



1) Rebate clearance of main entrance door on left and right side = 13 mm

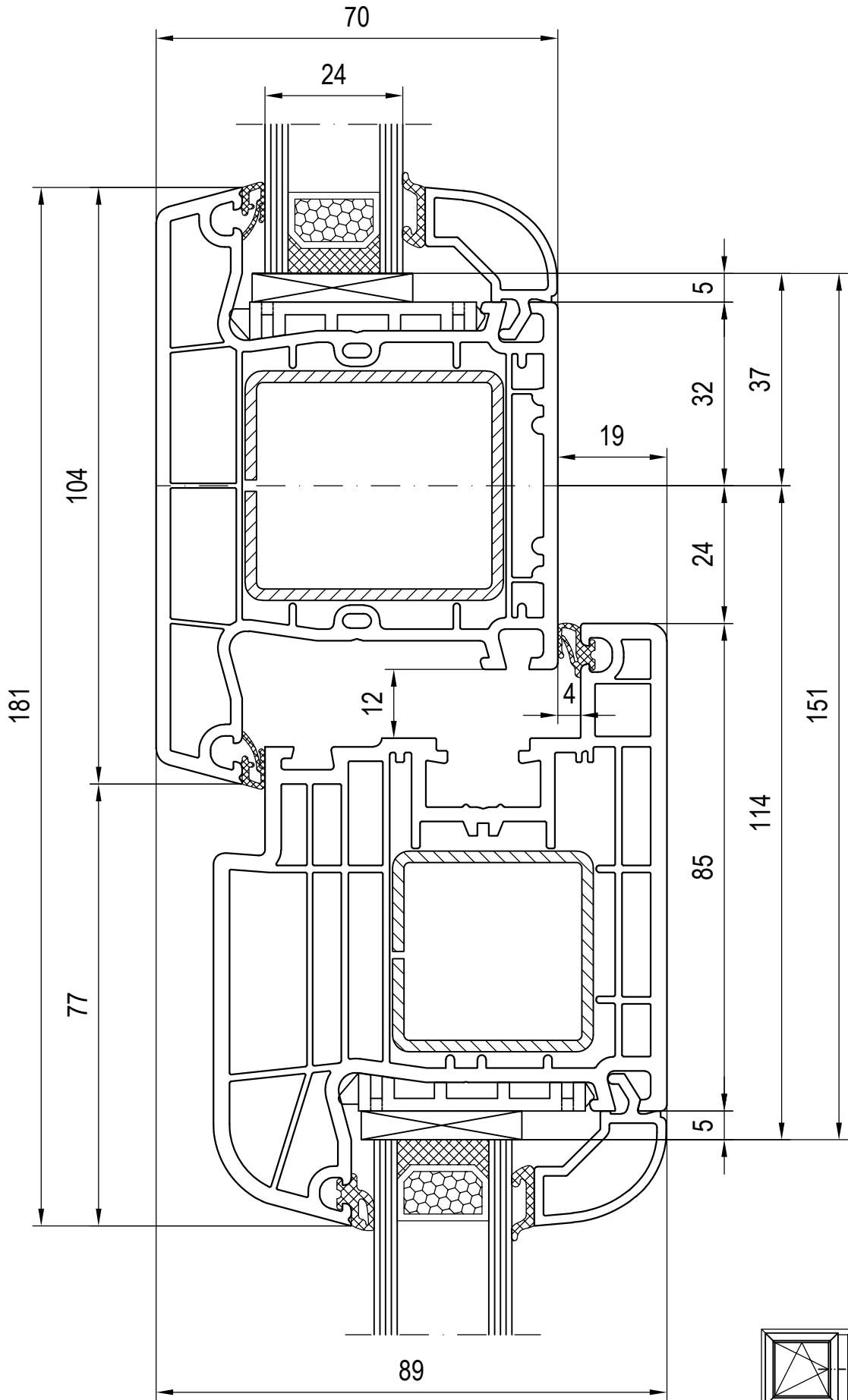
Scale 1:1

03\_H\_01\_4\*

en May be subject to change and errors excepted!

Combinations: sash - mullion - fixed glazing  
120846/120876 Glazing bead

Mullion 140x45  
Sash 140x33



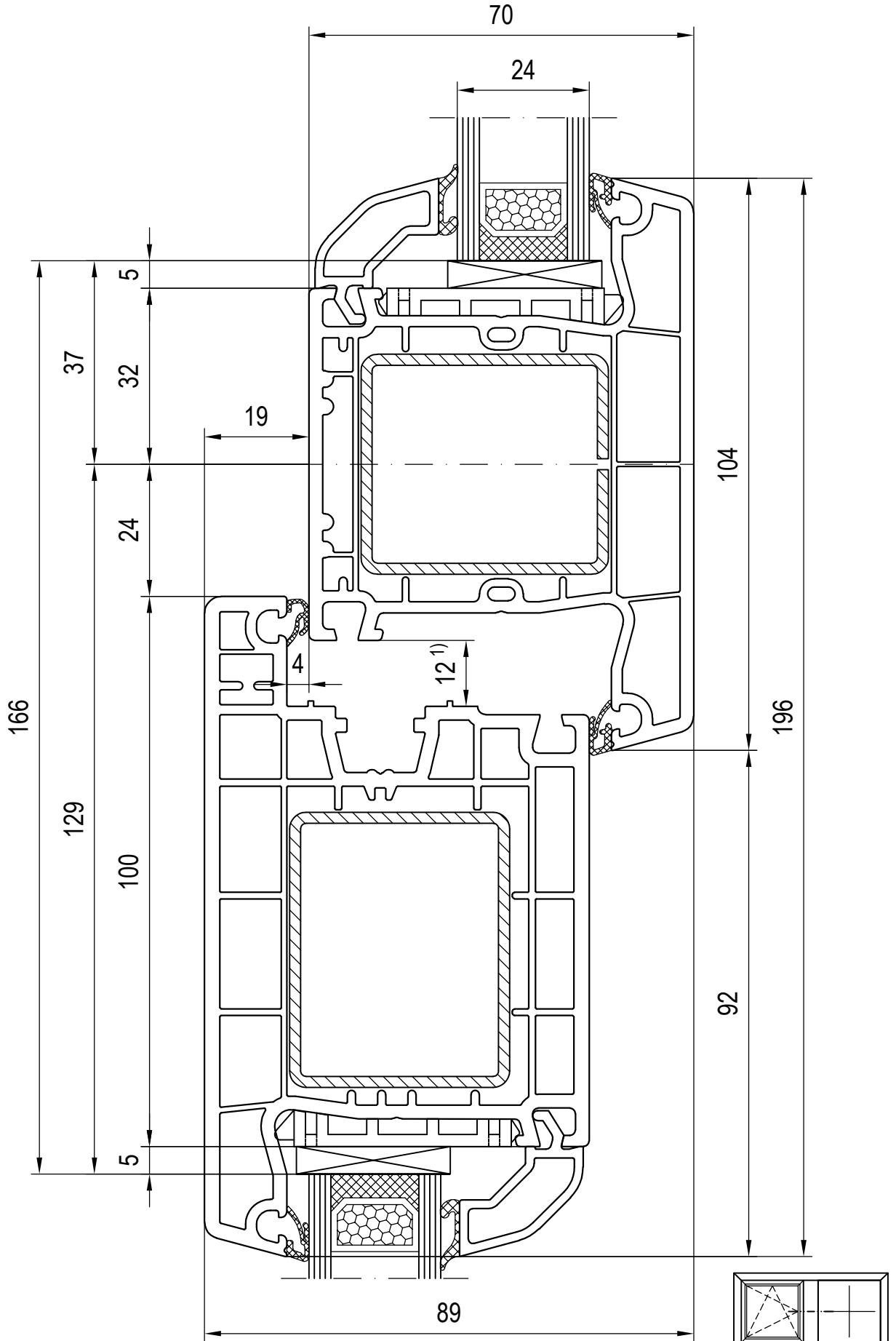
Scale 1:1

03\_H\_01\_4\*

en May be subject to change and errors excepted!

Combinations: sash - mullion - fixed glazing  
120850/120880 Glazing bead

Mullion 140x45  
Sash 140x34



1) Rebate clearance of main entrance door on left and right side = 13 mm

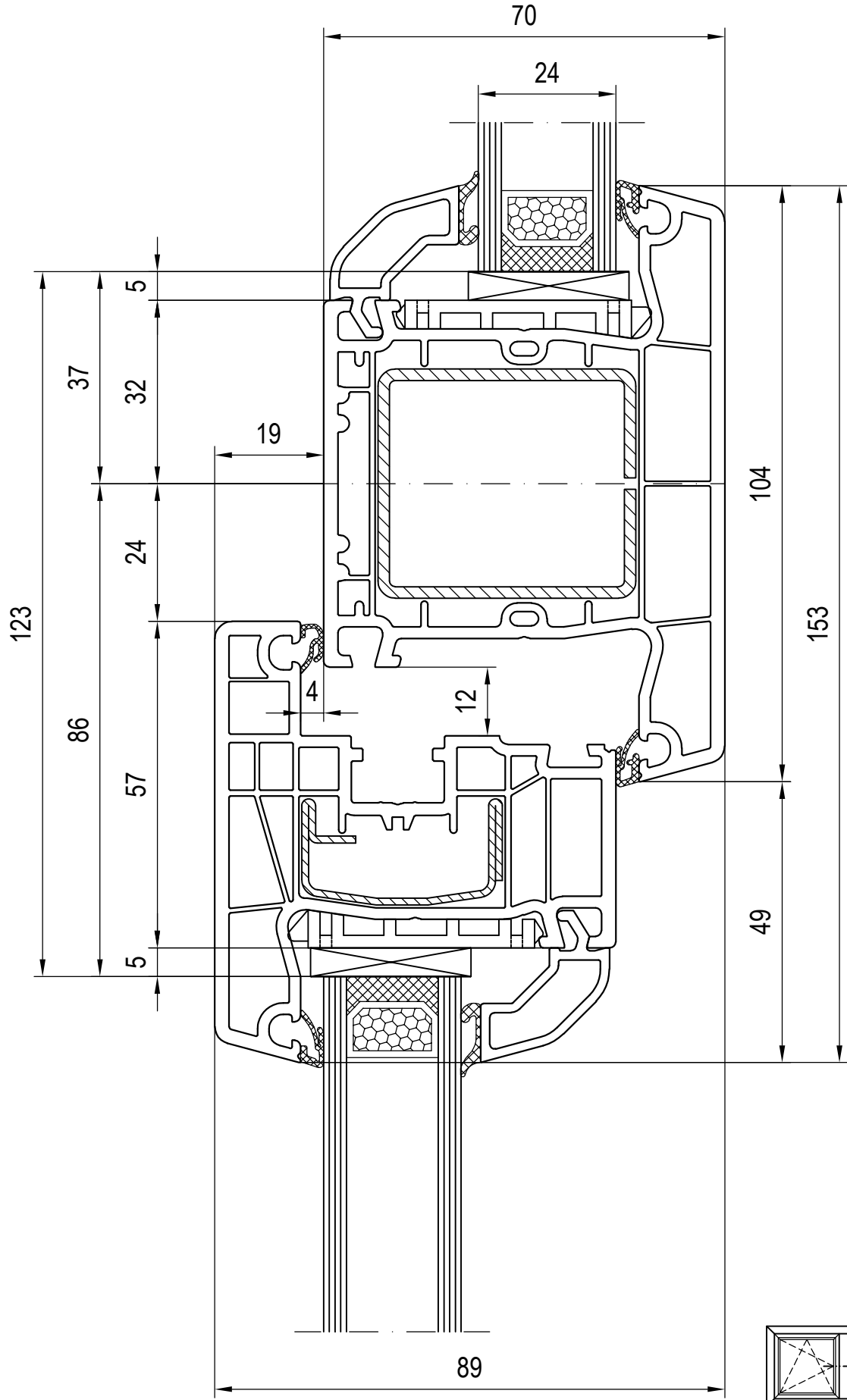
Scale 1:1

03\_H\_01\_4\*

en May be subject to change and errors excepted!

Combinations: sash - mullion - fixed glazing  
120846/120876 Glazing bead

Mullion 140x45  
Sash 140x35



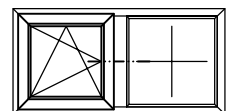
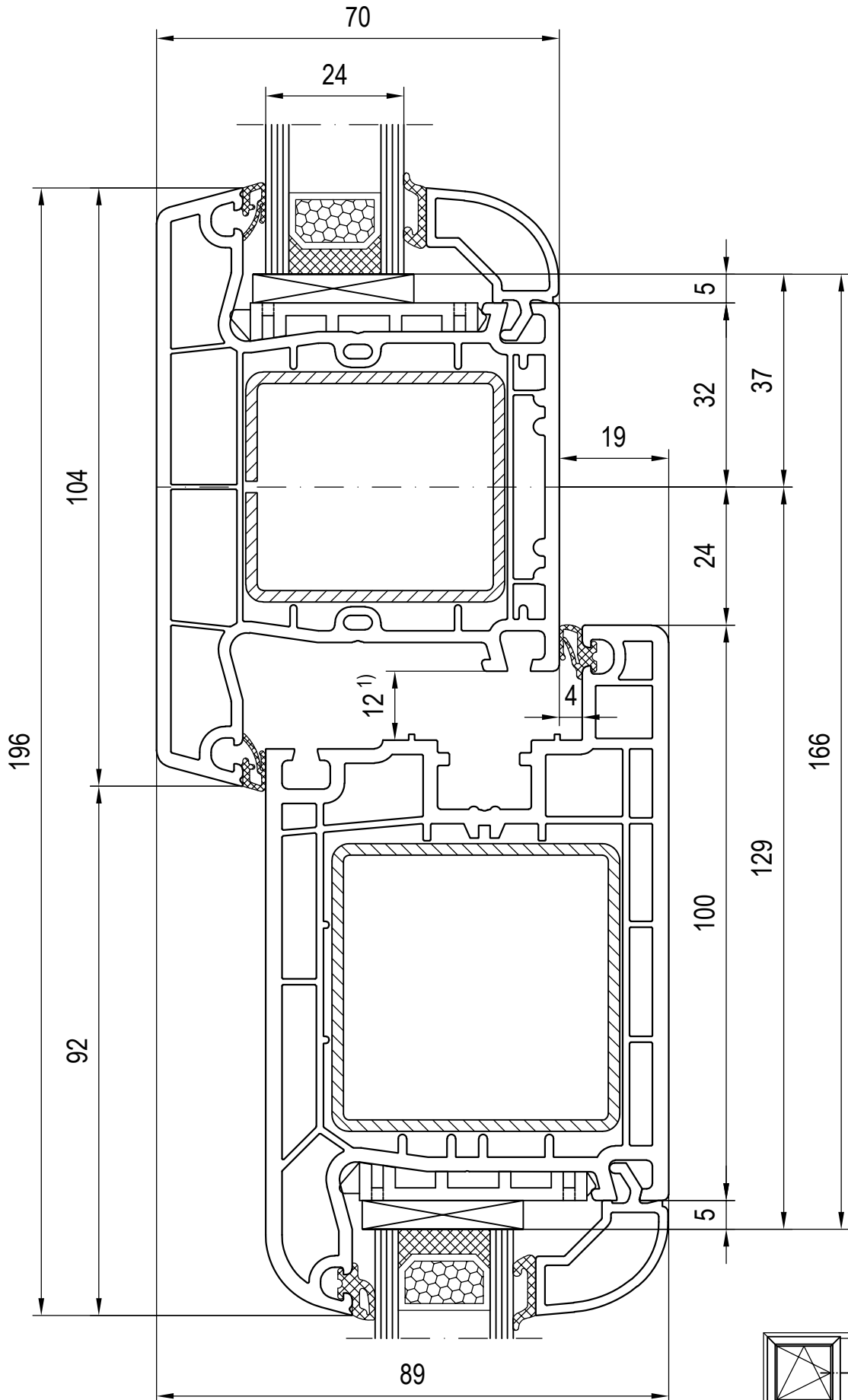
Scale 1:1

03\_H\_01\_4\*

en May be subject to change and errors excepted!

Combinations: sash - mullion - fixed glazing  
120846/120876 Glazing bead

Mullion 140x45  
Sash 140x37



1) Rebate clearance of main entrance door on left and right side = 13 mm

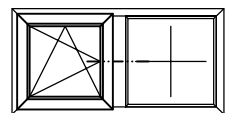
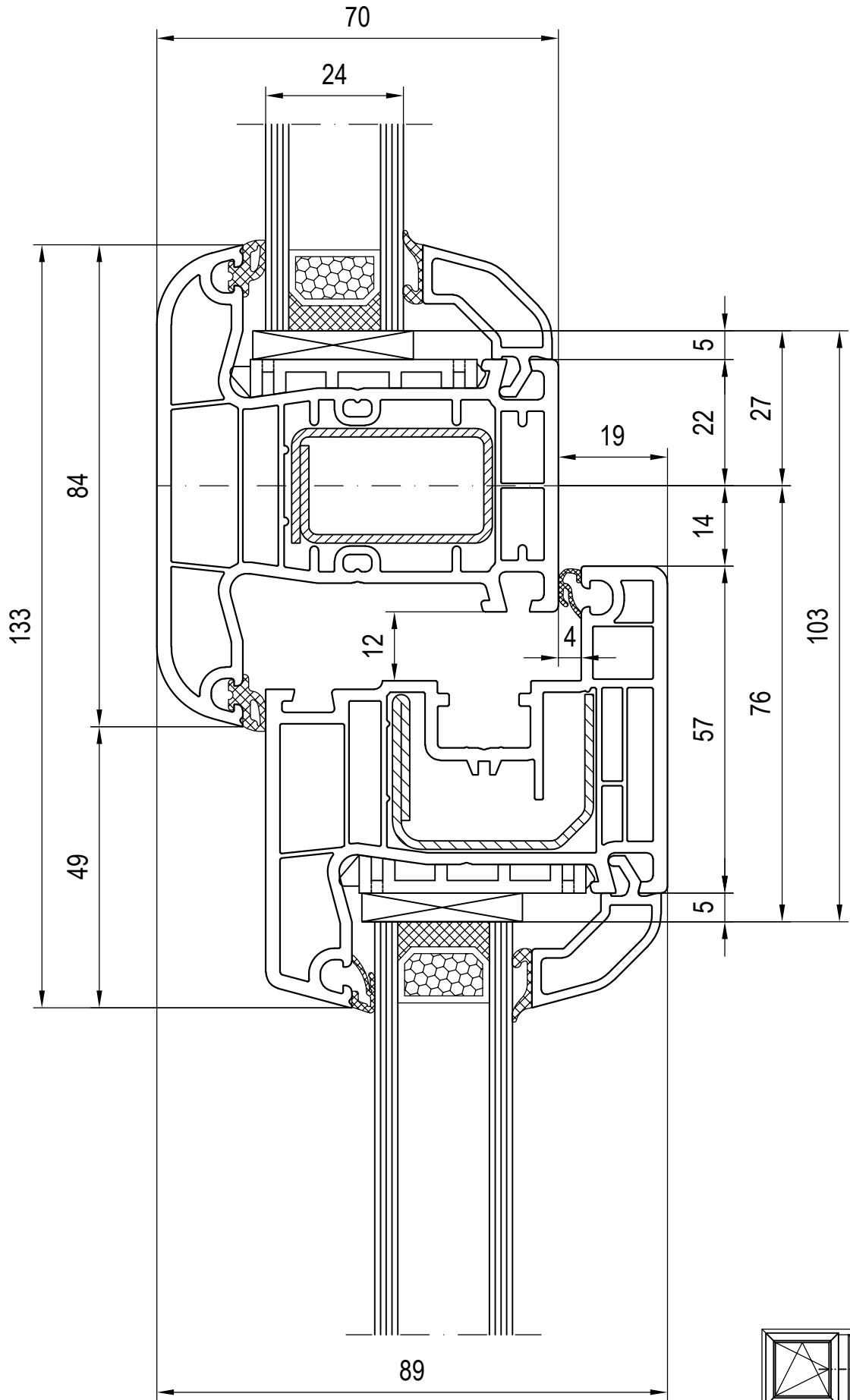
Scale 1:1

03\_H\_01\_4\*

en May be subject to change and errors excepted!

Combinations: sash - mullion - fixed glazing  
120850/120880 Glazing bead

Mullion 140x45  
Sash 140x38



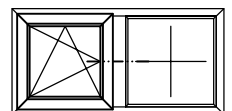
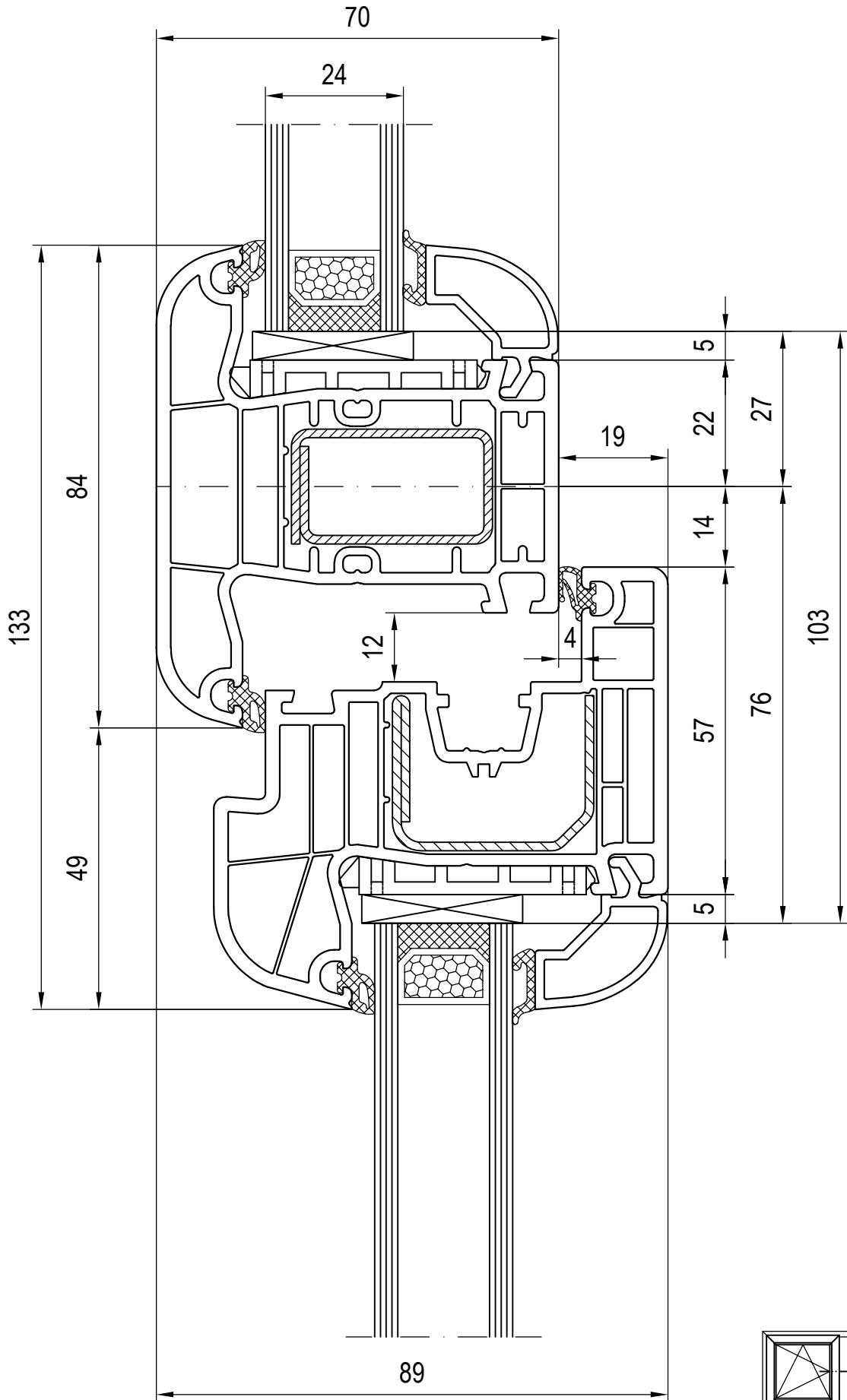
Scale 1:1

03\_H\_01\_4\*

en May be subject to change and errors excepted!

Combinations: sash - mullion - fixed glazing  
120846/120876 Glazing bead

Mullion 140x47  
Sash 140x20



Scale 1:1

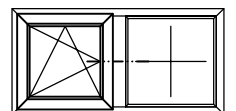
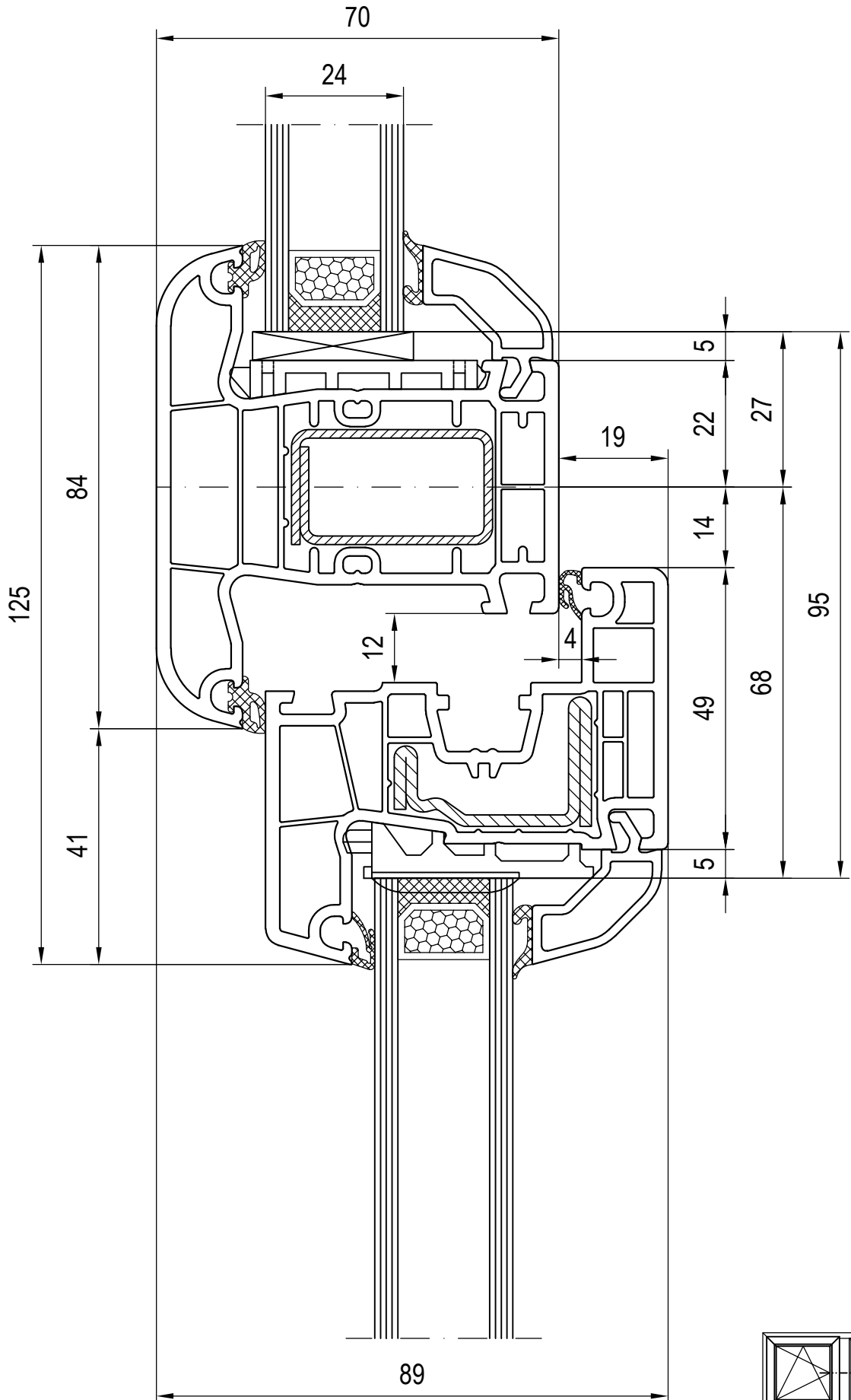
03\_H\_01\_4\*

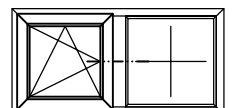
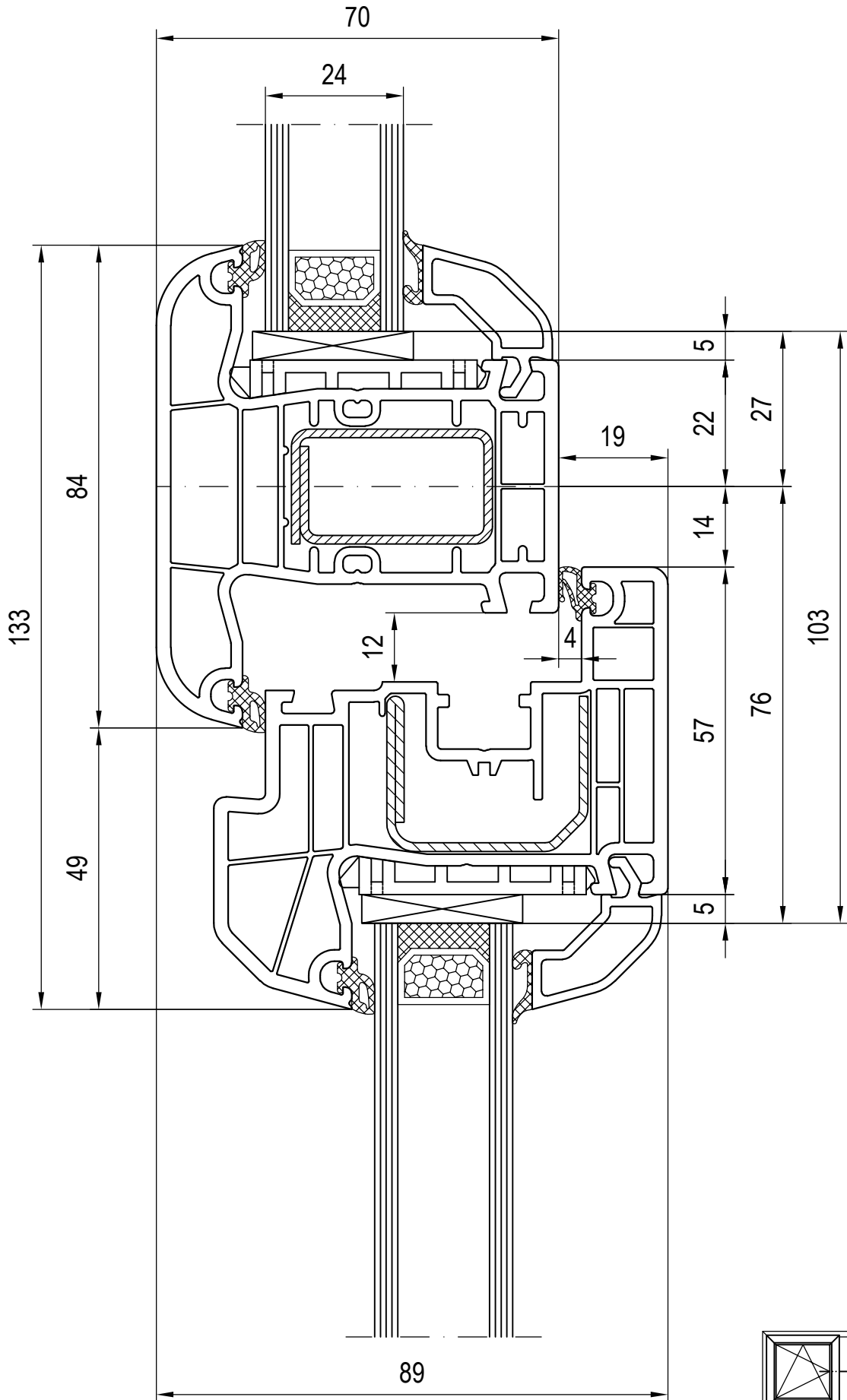
en May be subject to change and errors excepted!

Combinations: sash - mullion - fixed glazing  
120850/120880 Glazing bead

Mullion 140x47  
Sash 140x22







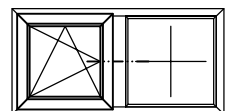
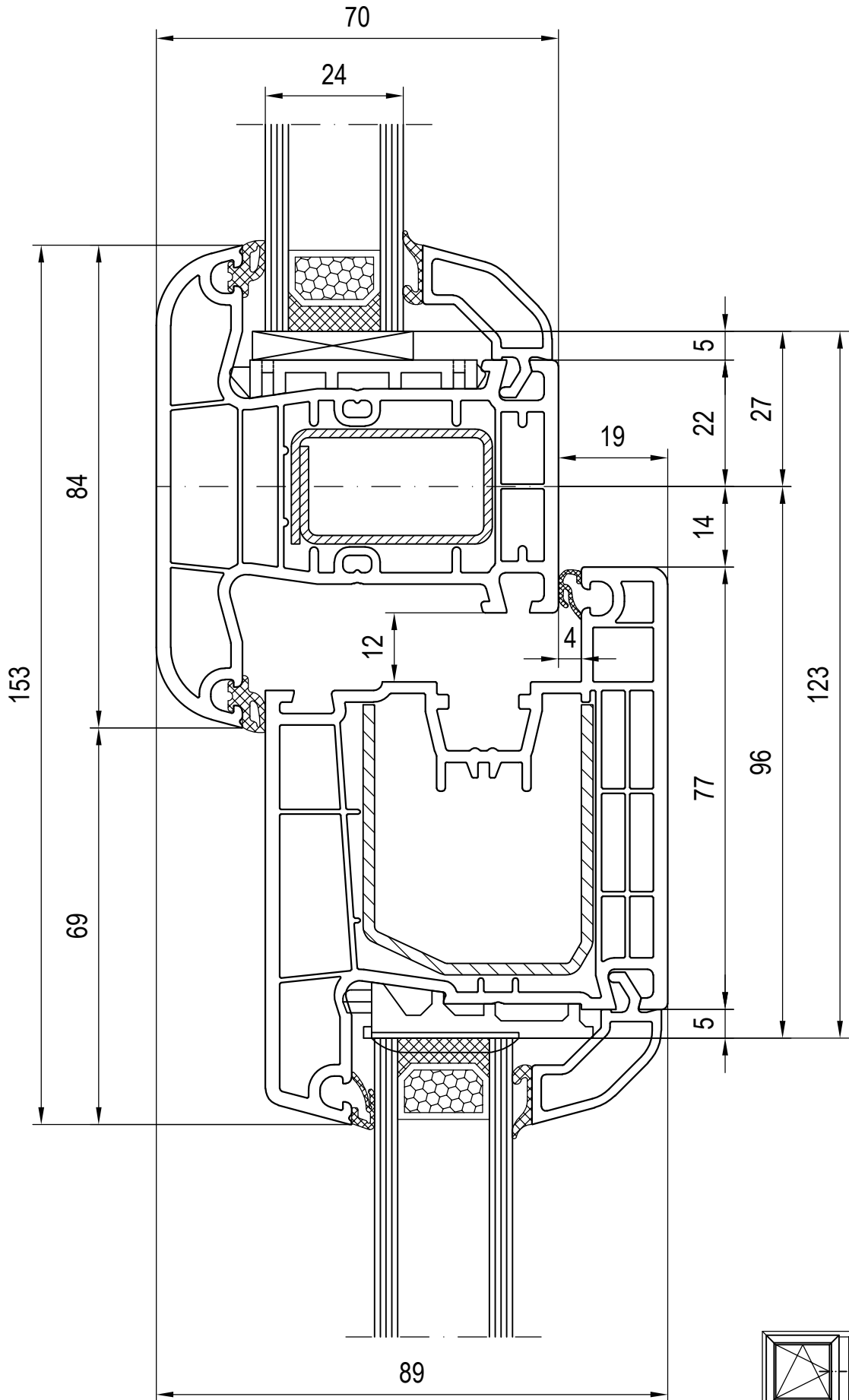
Scale 1:1

03\_H\_01\_4\*

en May be subject to change and errors excepted!

Combinations: sash - mullion - fixed glazing  
120846/120876 Glazing bead

Mullion 140x47  
Sash 140x26



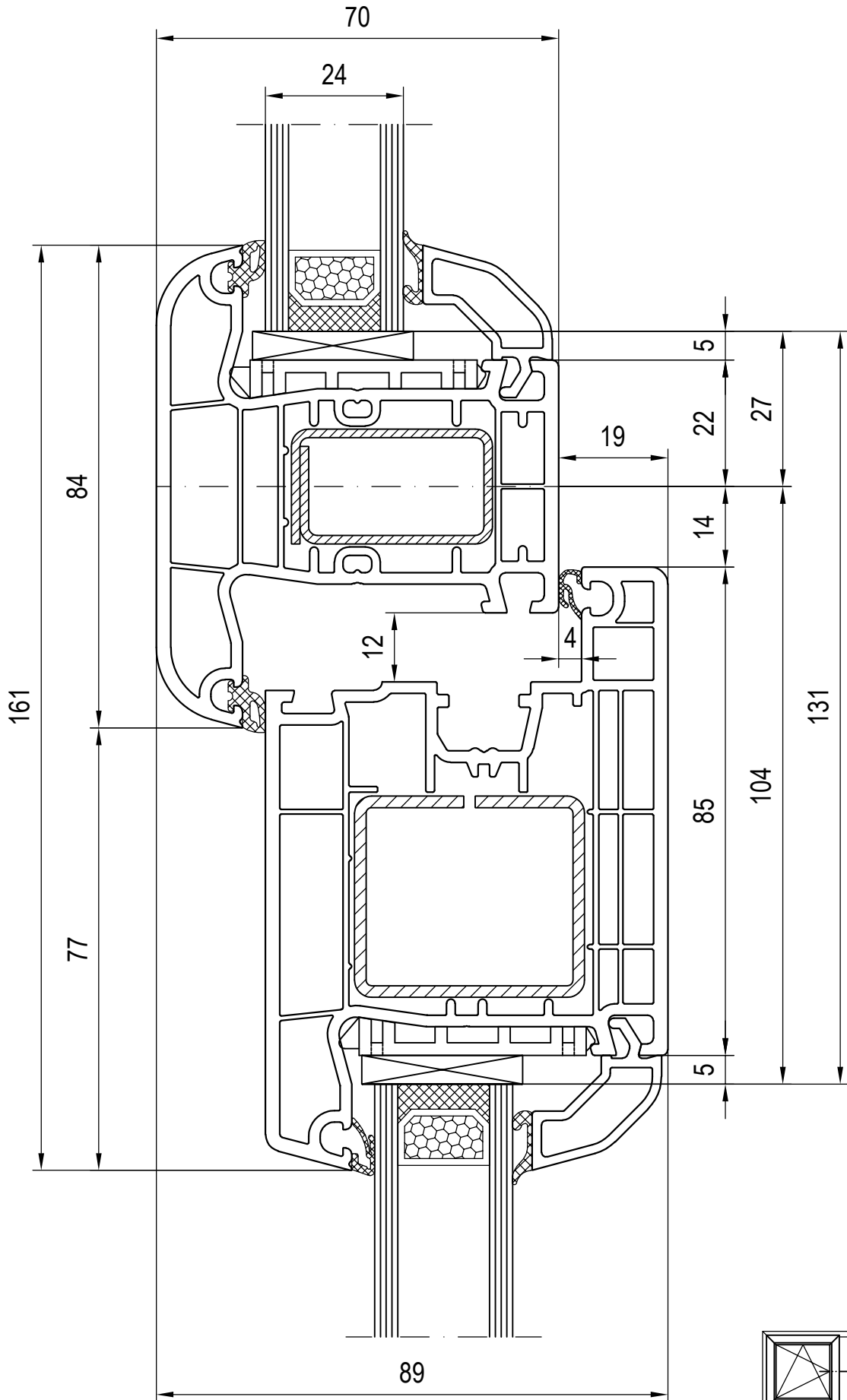
Scale 1:1

03\_H\_01\_4\*

en May be subject to change and errors excepted!

Combinations: sash - mullion - fixed glazing  
120846/120876 Glazing bead

Mullion 140x47  
Sash 140x28



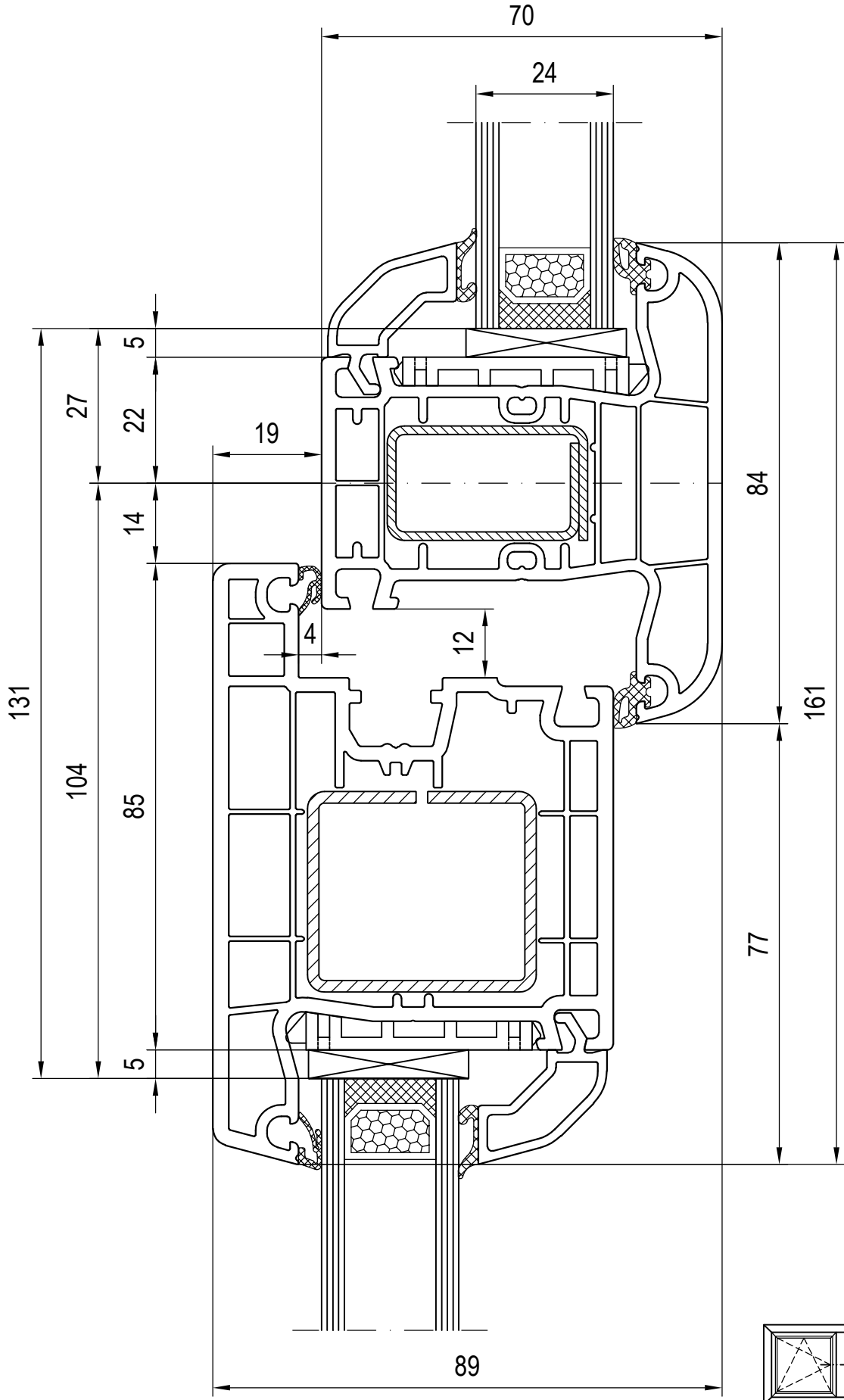
Scale 1:1

03\_H\_01\_4\*

en May be subject to change and errors excepted!

Combinations: sash - mullion - fixed glazing  
**120846/120876 Glazing bead**

**Mullion 140x47**  
**Sash 140x30**



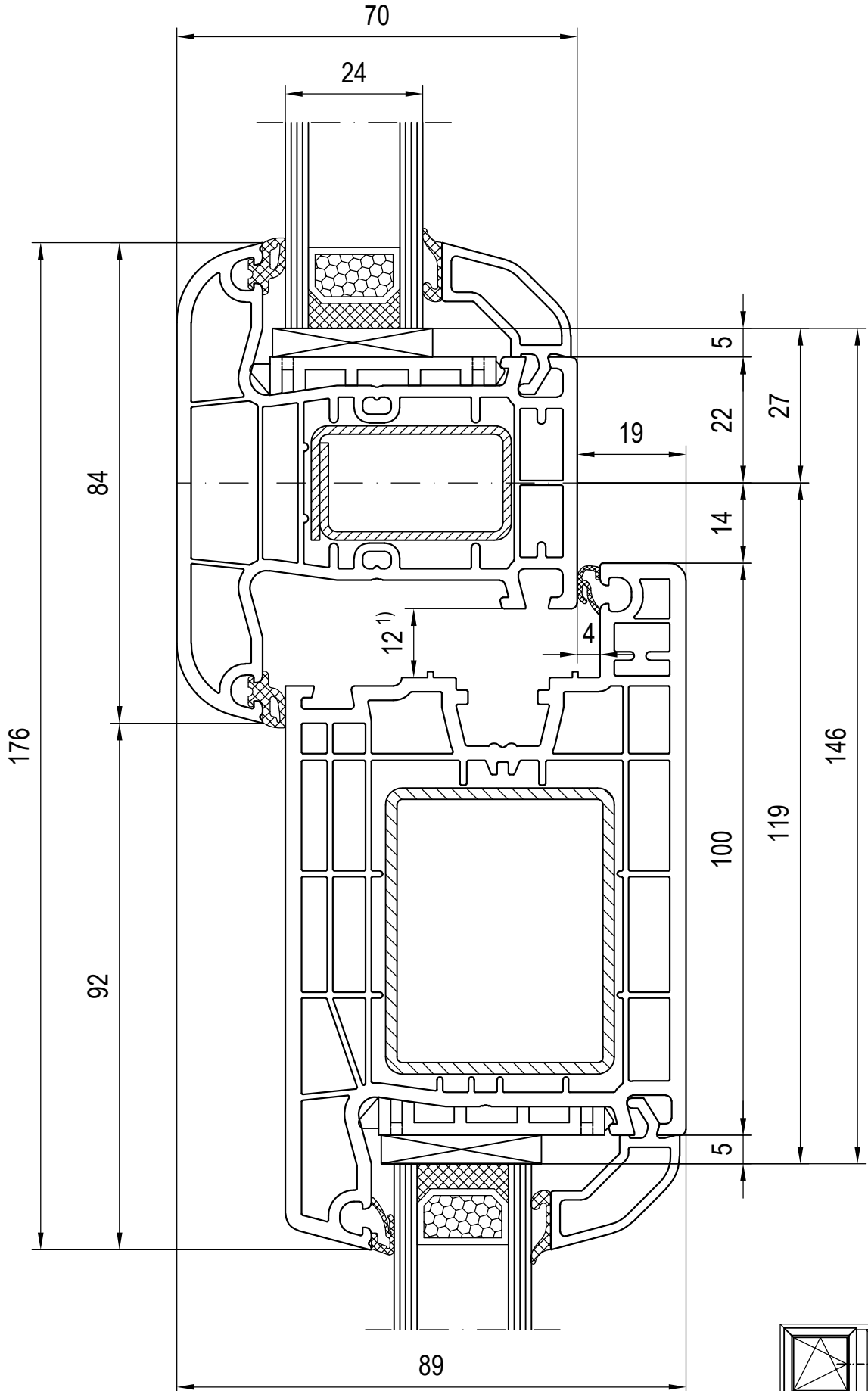
Scale 1:1

03\_H\_01\_4\*

en May be subject to change and errors excepted!

Combinations: sash - mullion - fixed glazing  
120846/120876 Glazing bead

Mullion 140x47  
Sash 140x31



1) Rebate clearance of main entrance door on left and right side = 13 mm

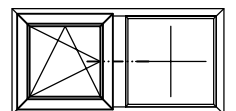
Scale 1:1

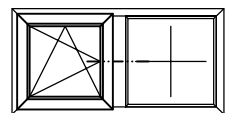
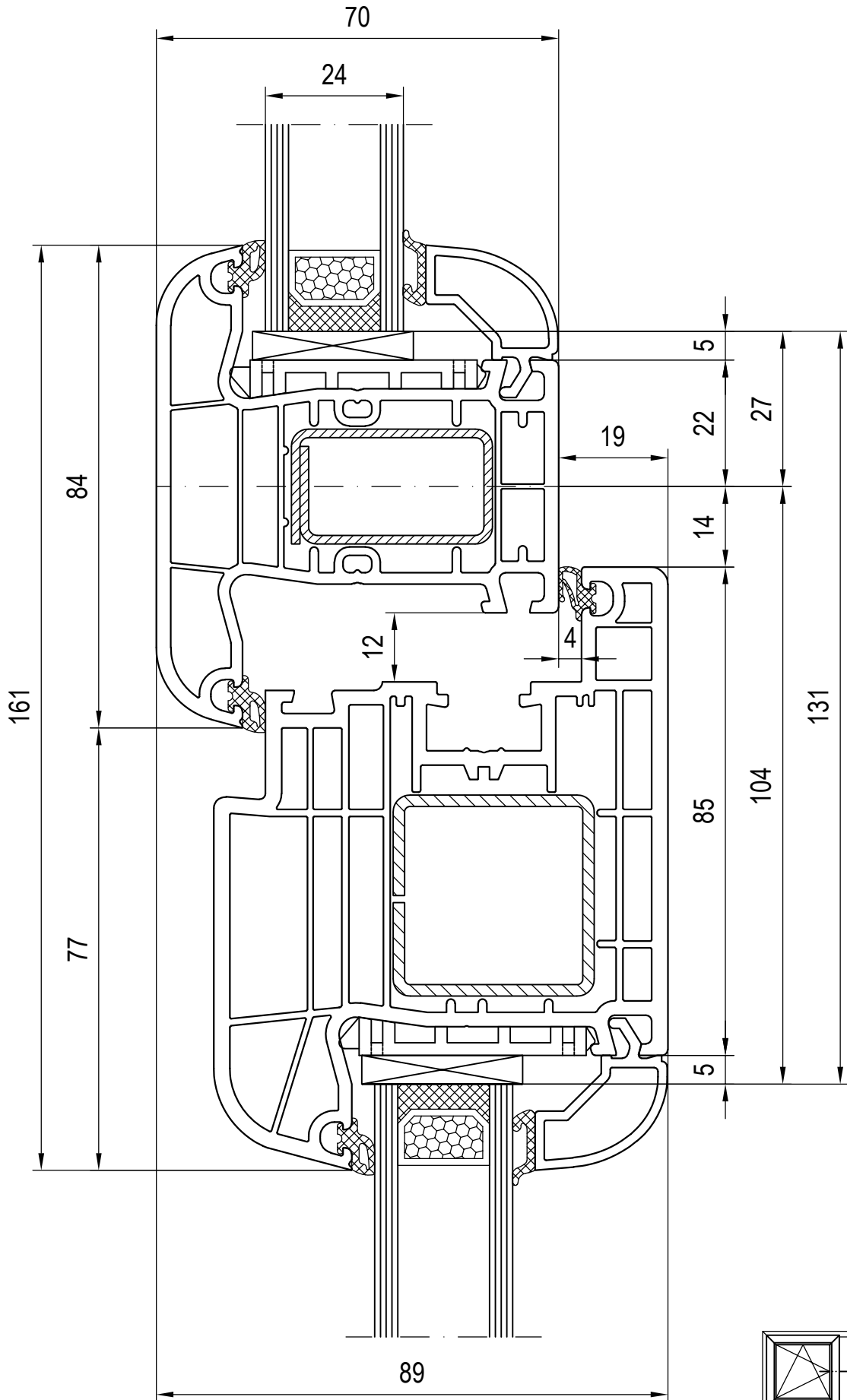
03\_H\_01\_4\*

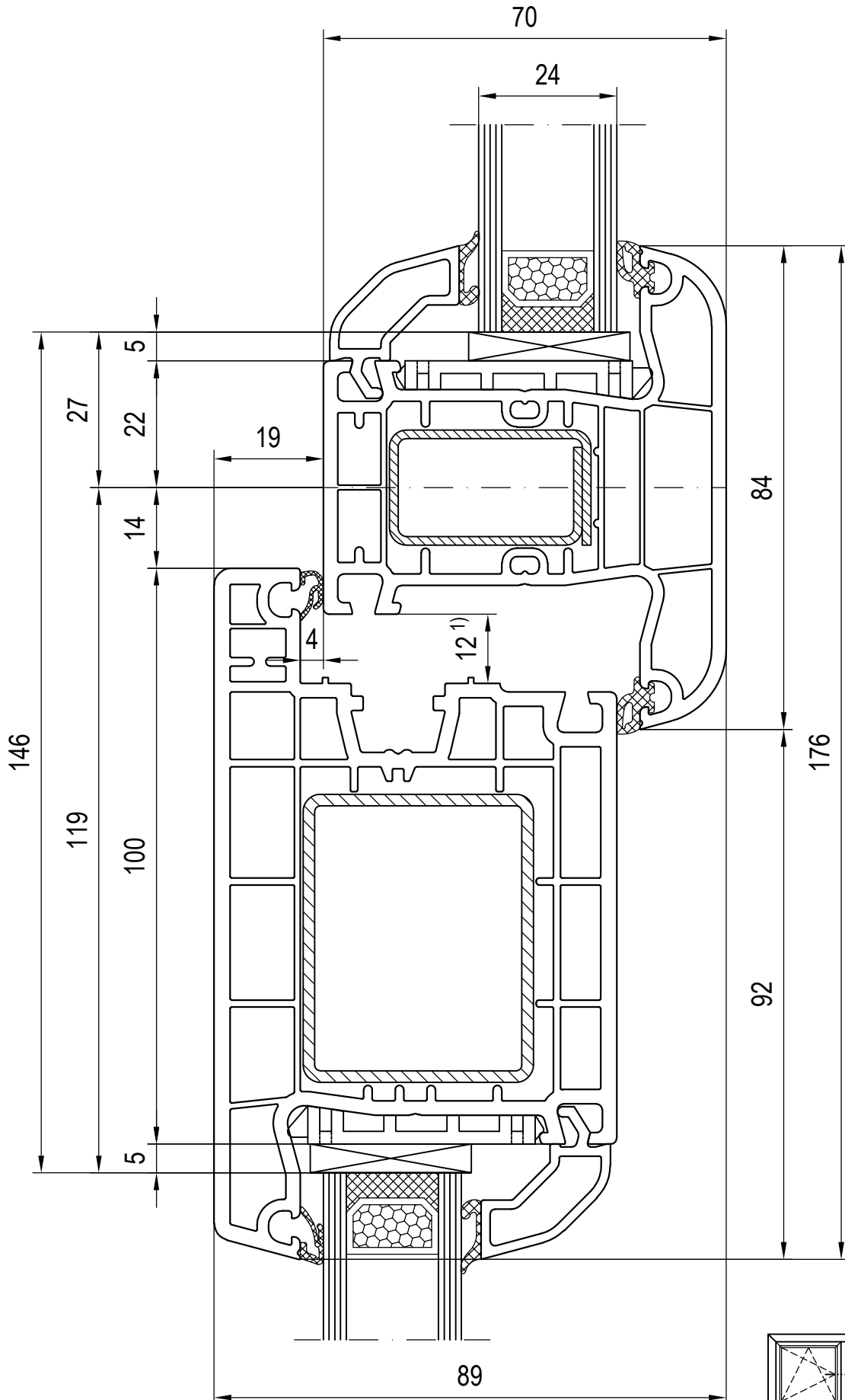
en May be subject to change and errors excepted!

Combinations: sash - mullion - fixed glazing  
120846/120876 Glazing bead

Mullion 140x47  
Sash 140x33







1) Rebate clearance of main entrance door on left and right side = 13 mm

Scale 1:1

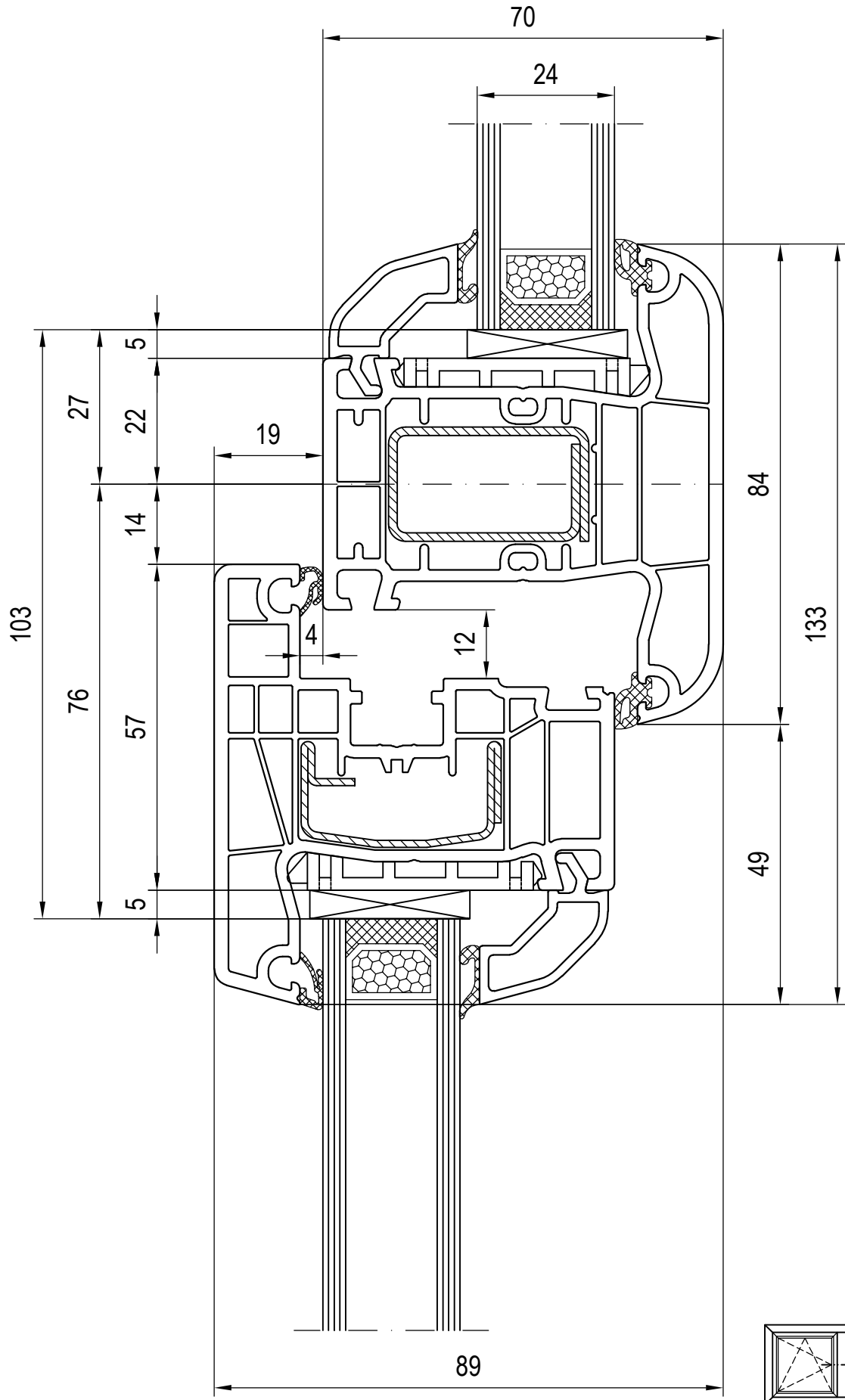
03\_H\_01\_4\*

en May be subject to change and errors excepted!

Combinations: sash - mullion - fixed glazing  
120846/120876 Glazing bead

Mullion 140x47  
Sash 140x35





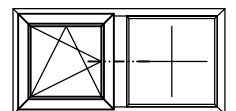
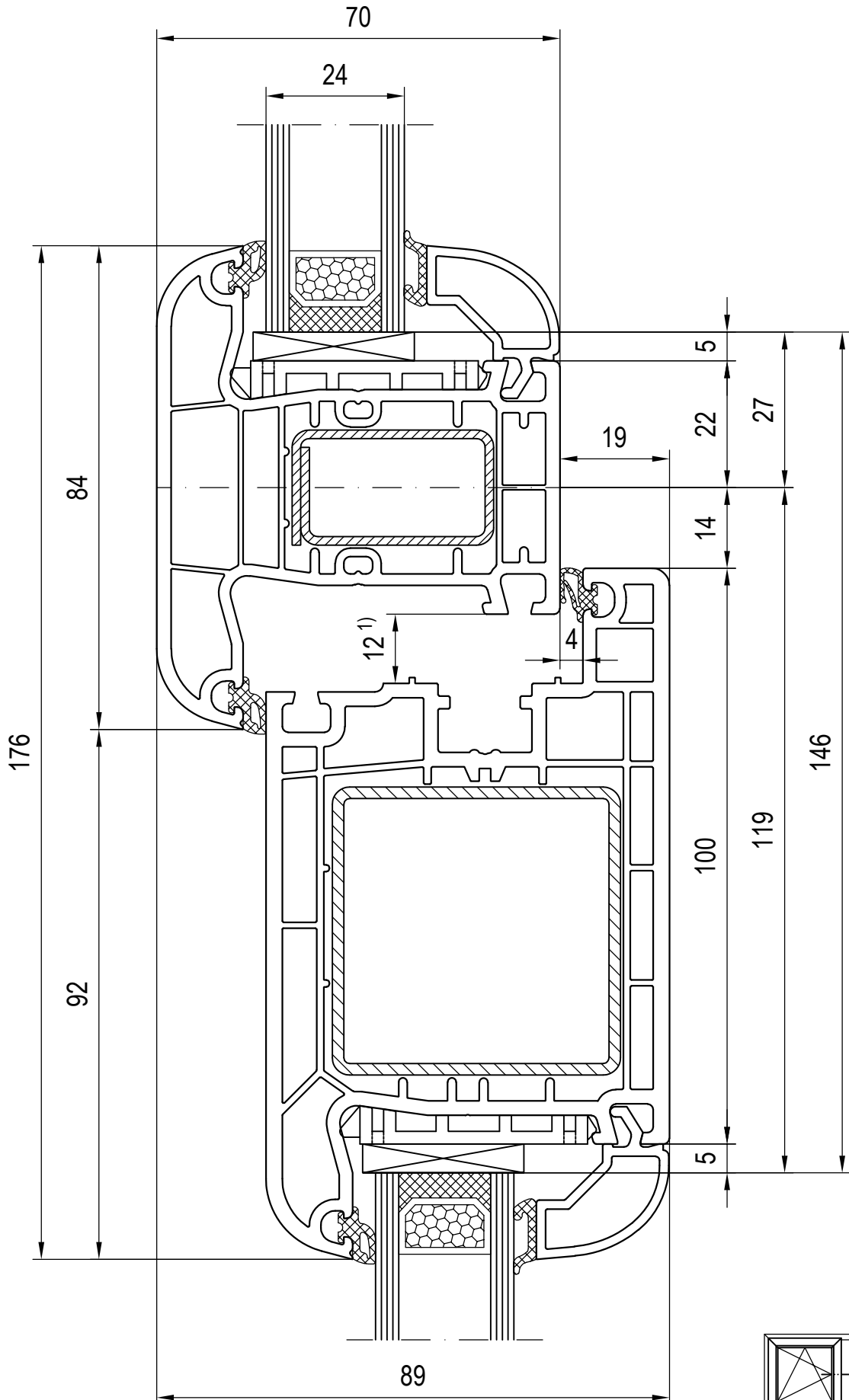
Scale 1:1

03\_H\_01\_4\*

en May be subject to change and errors excepted!

Combinations: sash - mullion - fixed glazing  
120846/120876 Glazing bead

Mullion 140x47  
Sash 140x37



1) Rebate clearance of main entrance door on left and right side = 13 mm

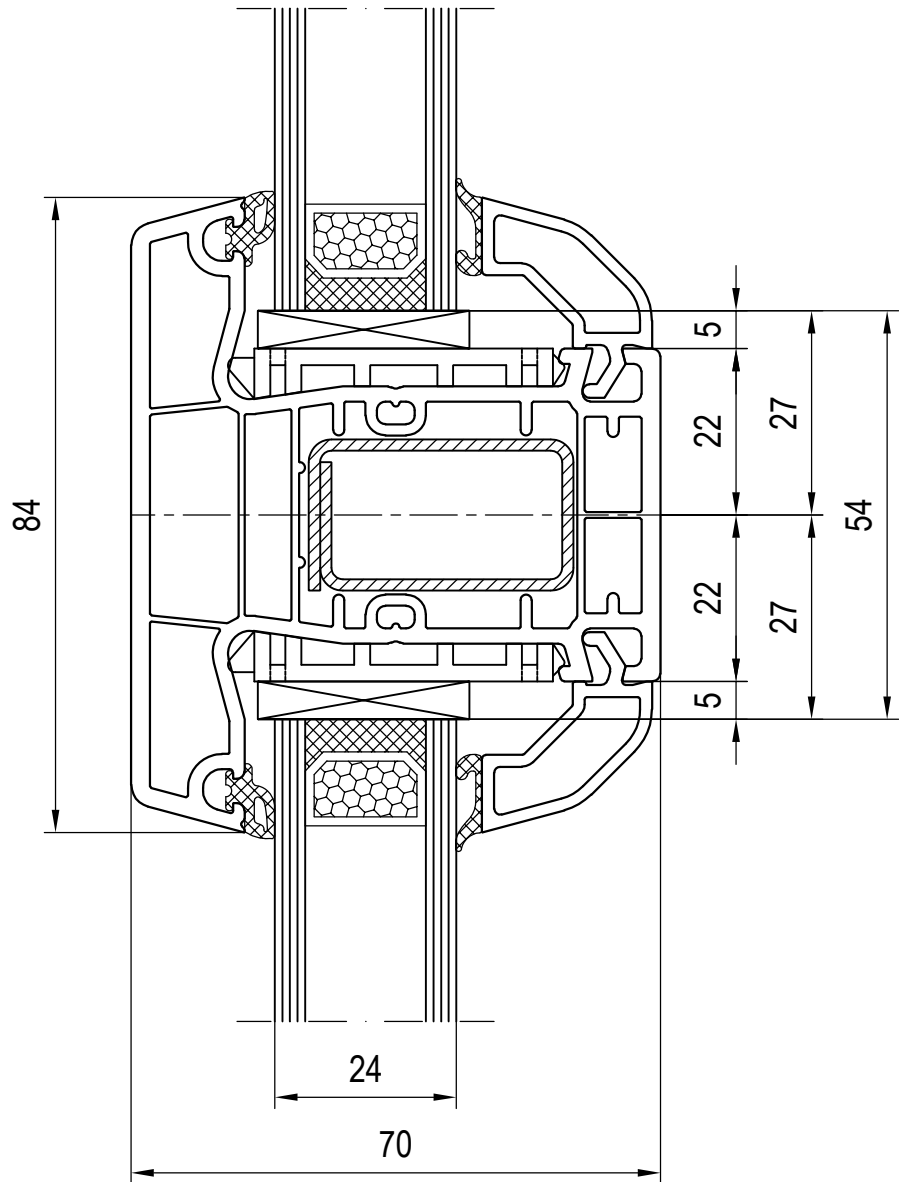
Scale 1:1

03\_H\_01\_4\*

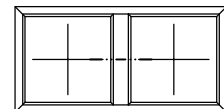
en May be subject to change and errors excepted!

Combinations: sash - mullion - fixed glazing  
120850/120880 Glazing bead

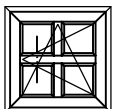
Mullion 140x47  
Sash 140x38



Mullion



Transom



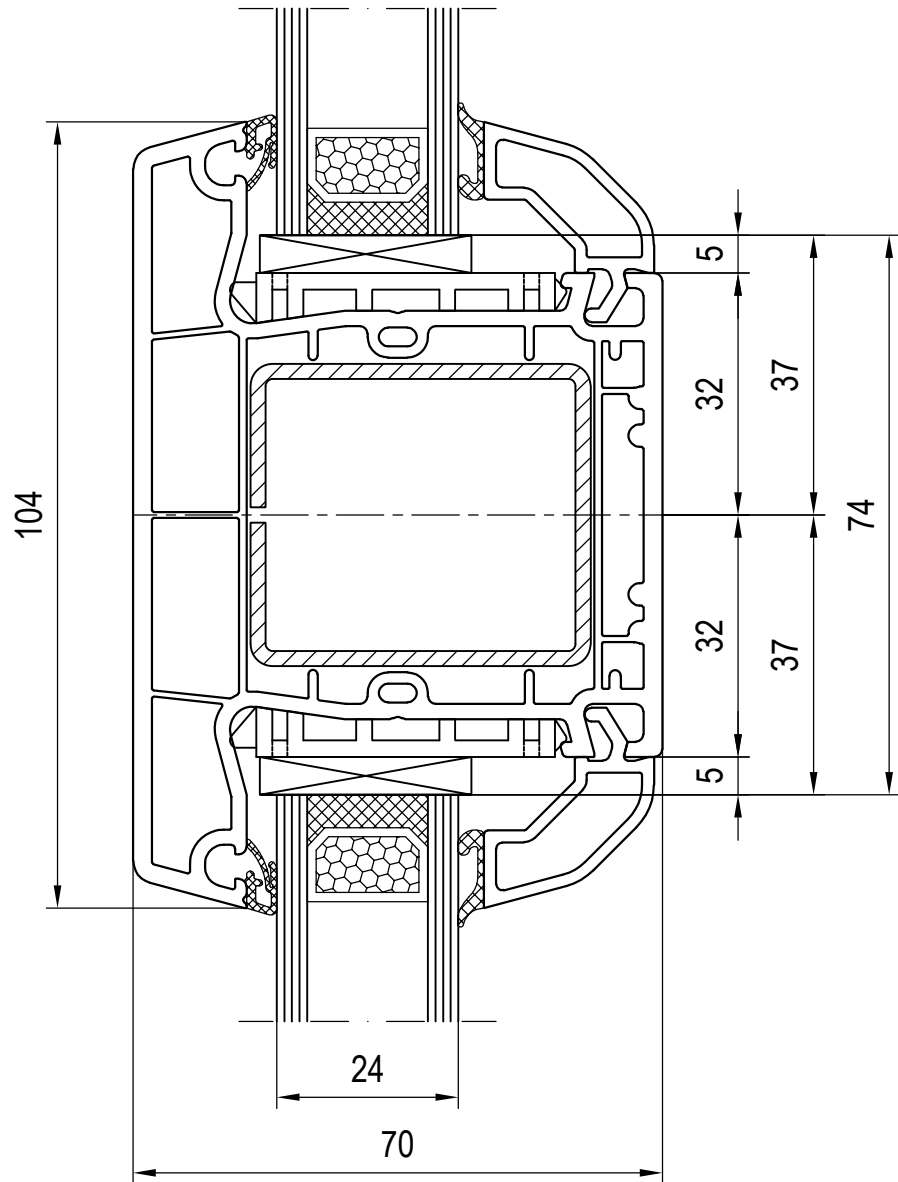
Scale 1:1

03\_J\_01\_4\*

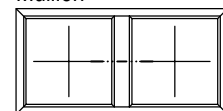
en May be subject to change and errors excepted!

Combinations: mullions / transoms, glass-dividing  
120846/120876 Glazing bead

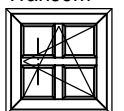
Mullion /  
Transom 140x41



Mullion



Transom



Scale 1:1

03\_J\_01\_4\*

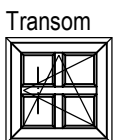
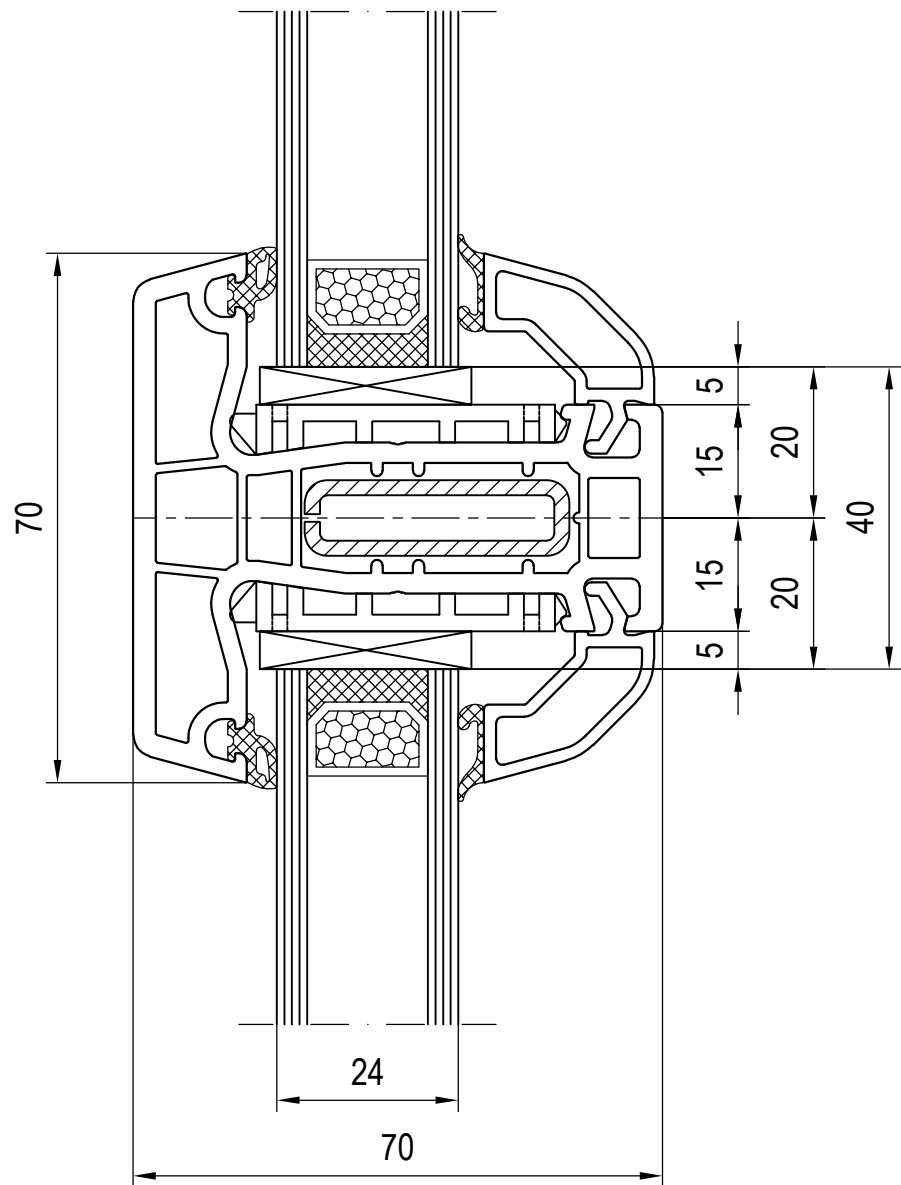
en May be subject to change and errors excepted!

Combinations: mullions / transoms, glass-dividing

120846/120876 Glazing bead

Mullion /

Transom 140x45



Scale 1:1

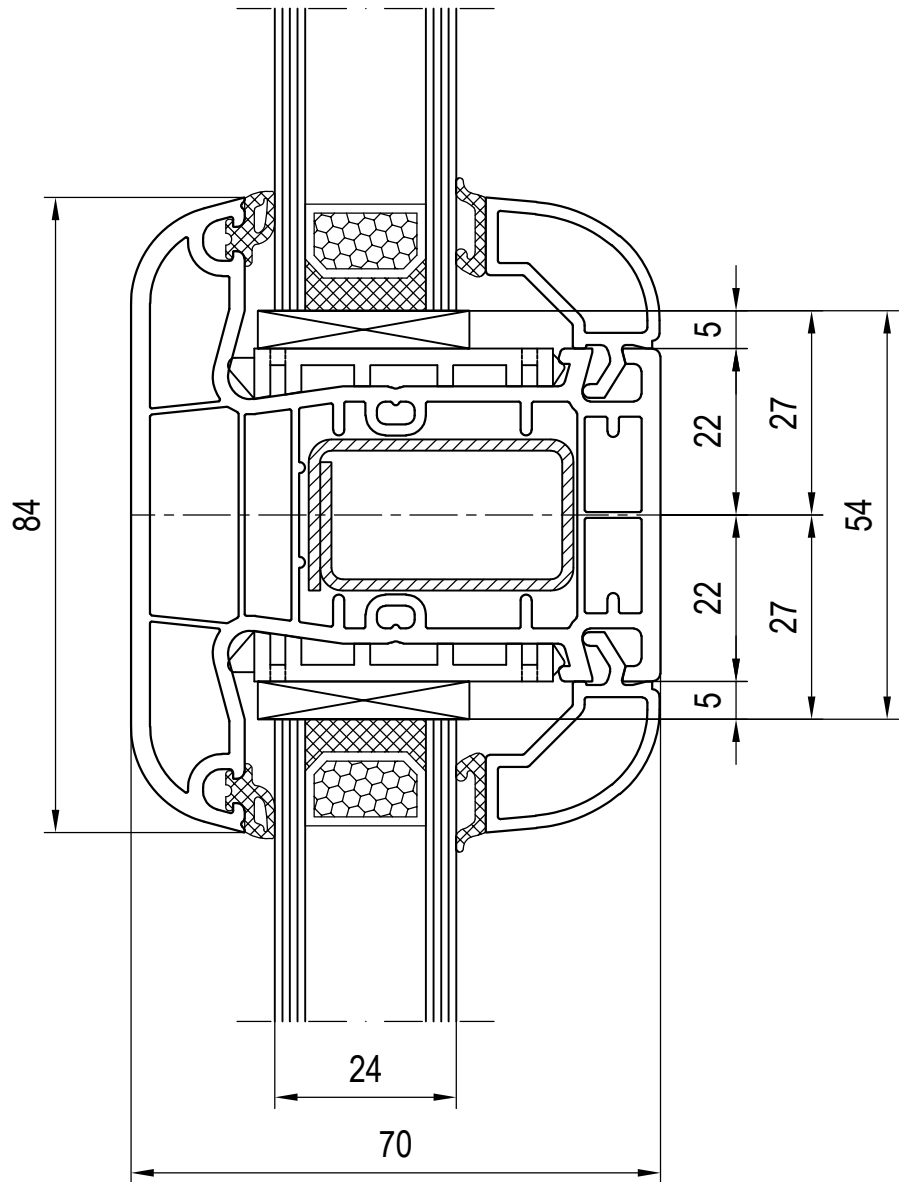
03\_J\_01\_4\*

en May be subject to change and errors excepted!

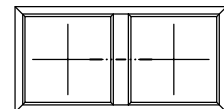
Combinations: mullions / transoms, glass-dividing

**120846/120876 Glazing bead**

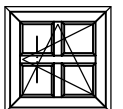
**Transom 140x46**



Mullion



Transom



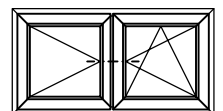
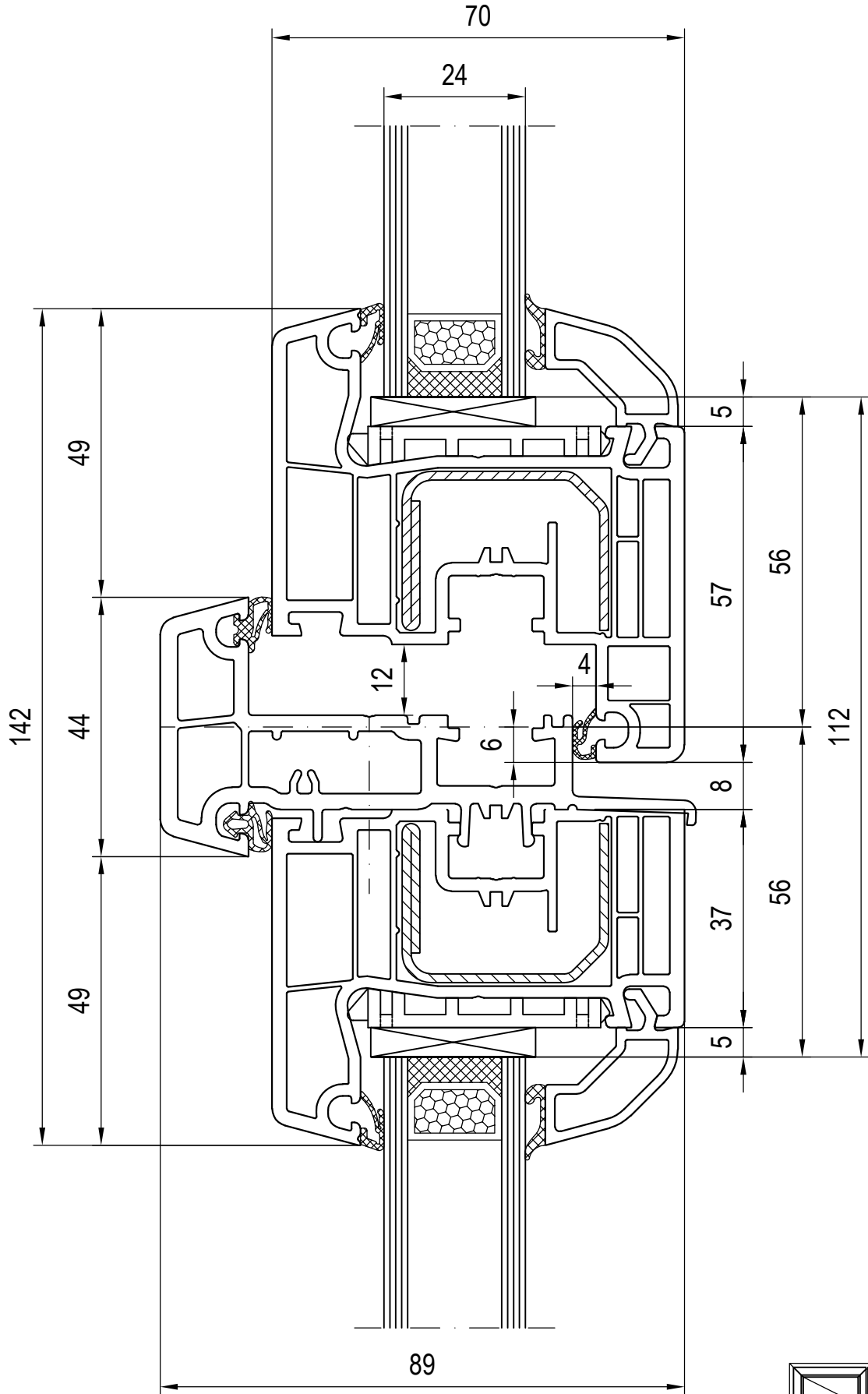
Scale 1:1

03\_J\_01\_4\*

en May be subject to change and errors excepted!

Combinations: mullions / transoms, glass-dividing  
**120850/120880 Glazing bead**

**Mullion /  
Transom 140x47**



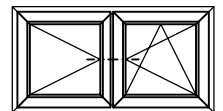
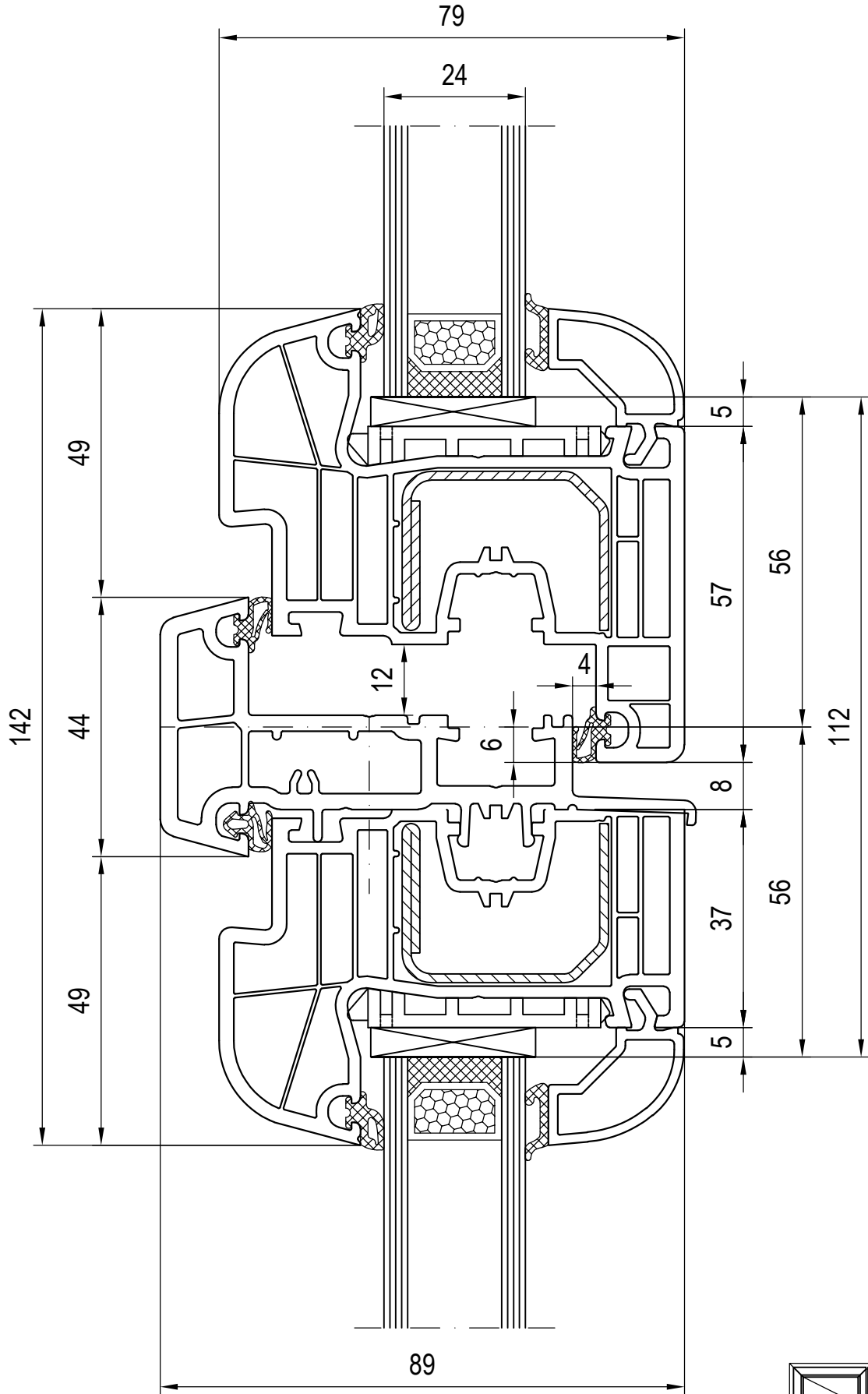
Scale 1:1

03\_L\_01\_4\*

en May be subject to change and errors excepted!

Combinations: sash - false mullion - sash  
120846/120876 Glazing bead

False mullion 140x65  
Sash 140x20



Scale 1:1

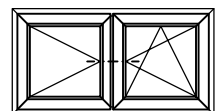
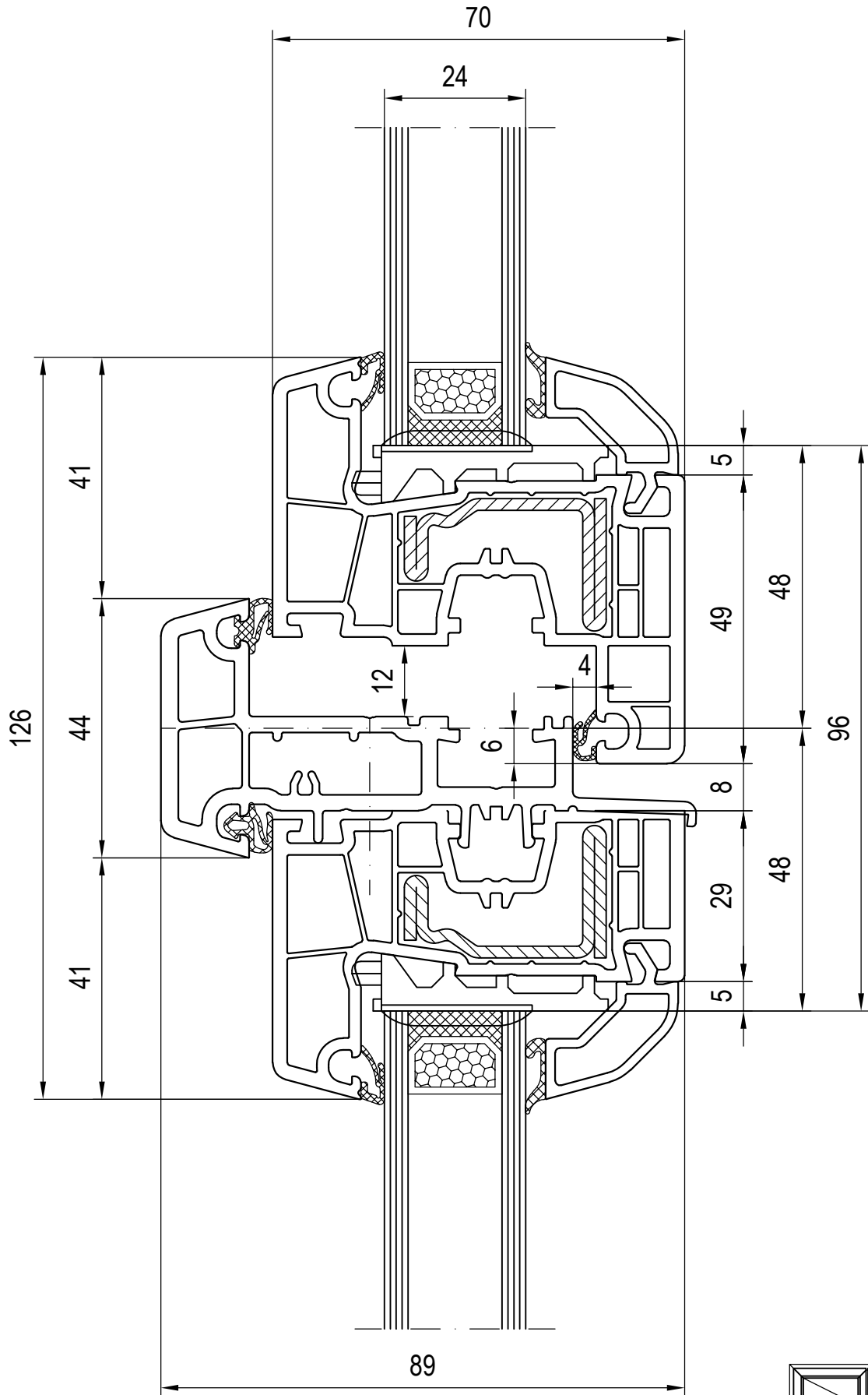
03\_L\_01\_4\*

en May be subject to change and errors excepted!

Combinations: sash - false mullion - sash  
120850/120880 Glazing bead

False mullion 140x65  
Sash 140x22





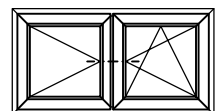
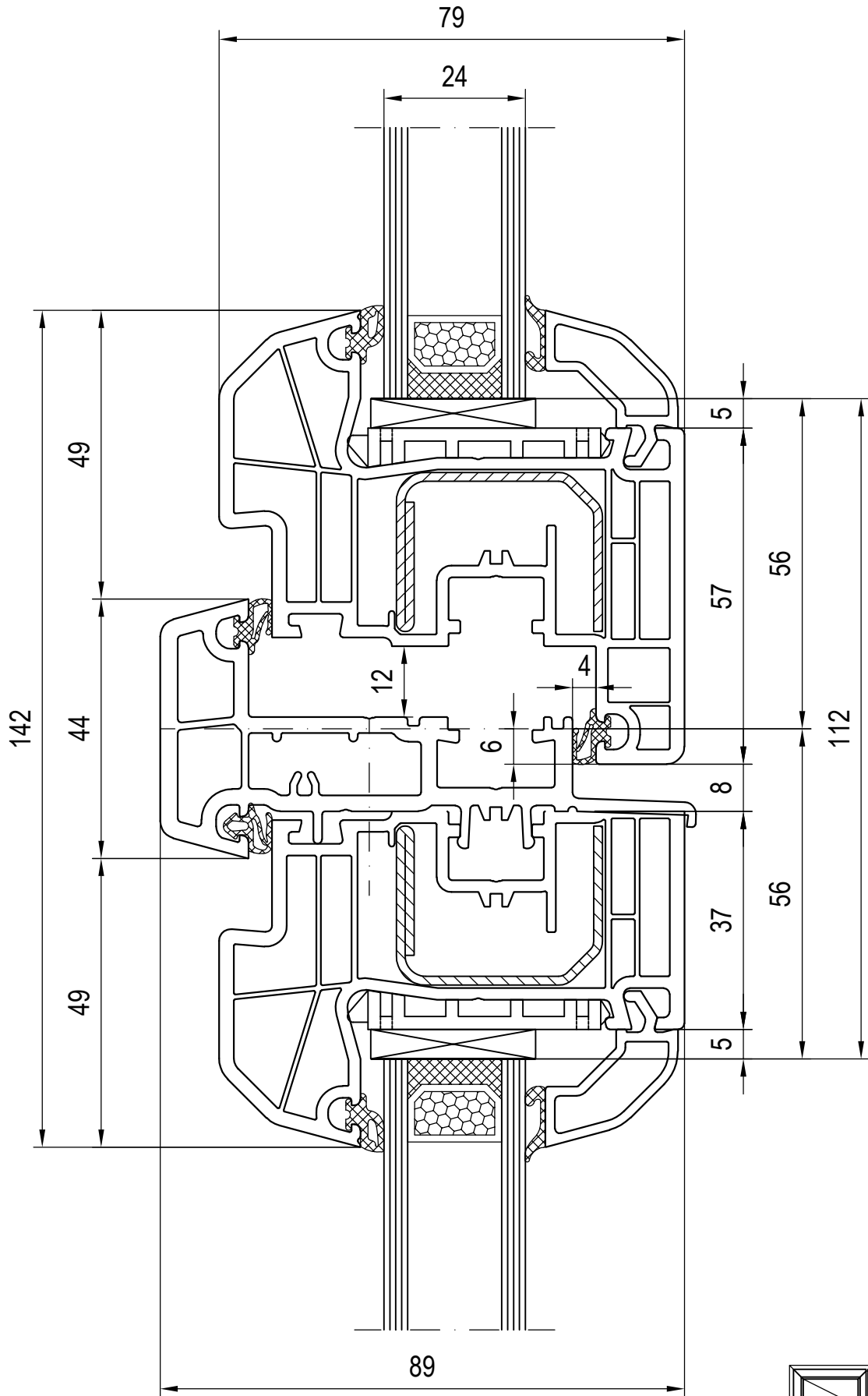
Scale 1:1

03\_L\_01\_4\*

en May be subject to change and errors excepted!

Combinations: sash - false mullion - sash  
120846/120876 Glazing bead

False mullion 140x65  
Sash 140x24



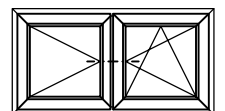
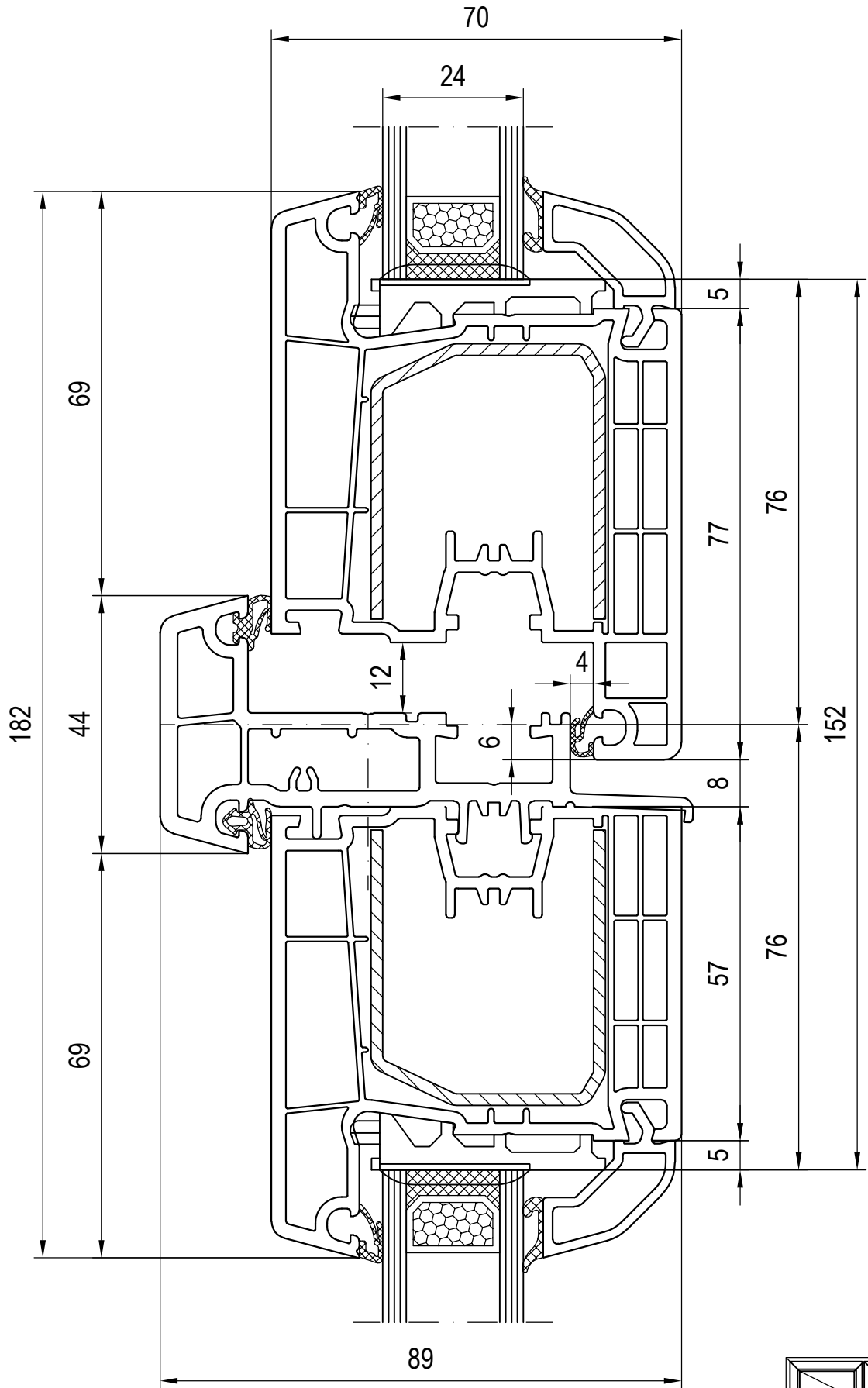
Scale 1:1

03\_L\_01\_4\*

en May be subject to change and errors excepted!

Combinations: sash - false mullion - sash  
120846/120876 Glazing bead

False mullion 140x65  
Sash 140x26



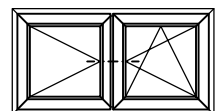
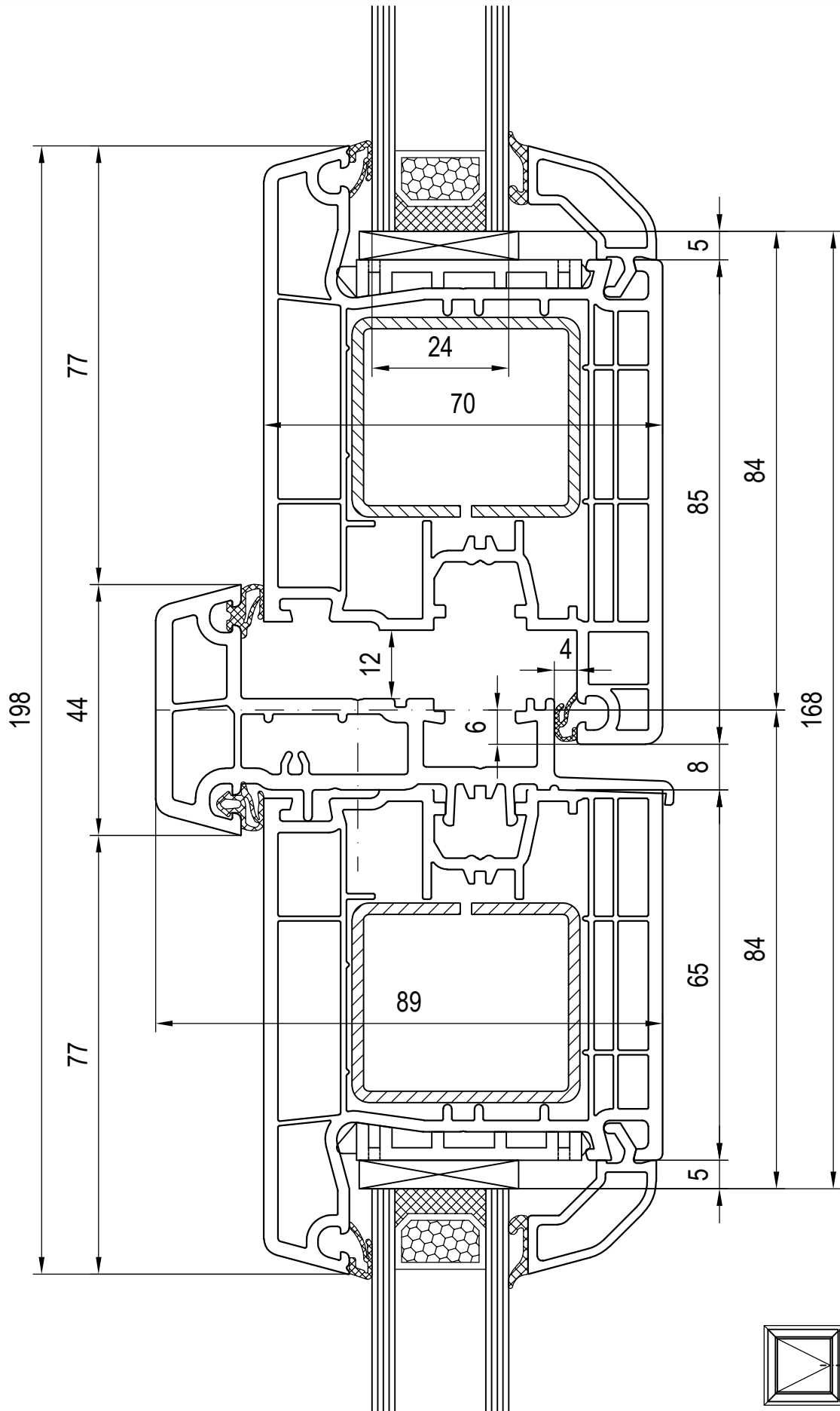
Scale 1:1

03\_L\_01\_4\*

en May be subject to change and errors excepted!

Combinations: sash - false mullion - sash  
120846/120876 Glazing bead

False mullion 140x65  
Sash 140x28



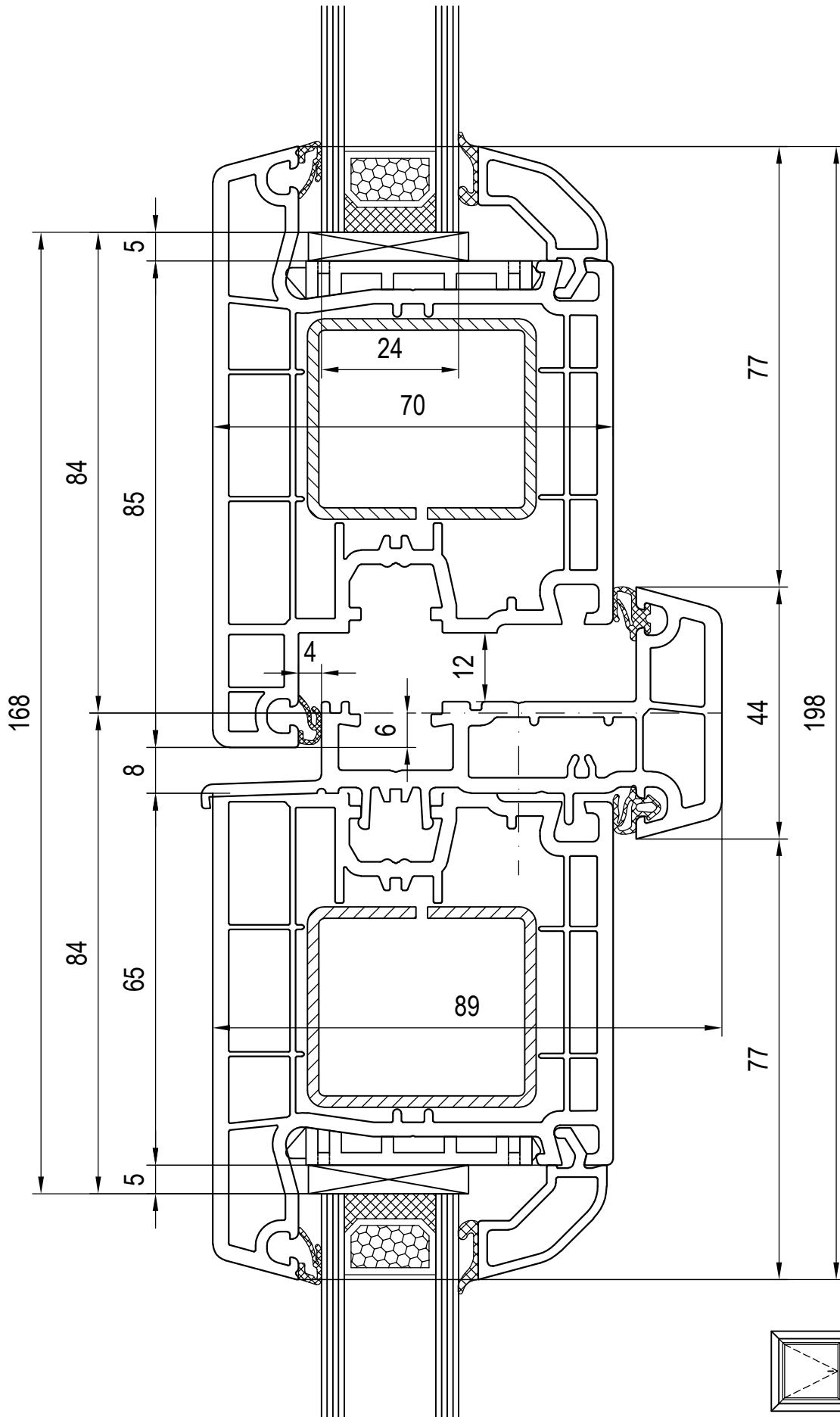
Scale 1:1

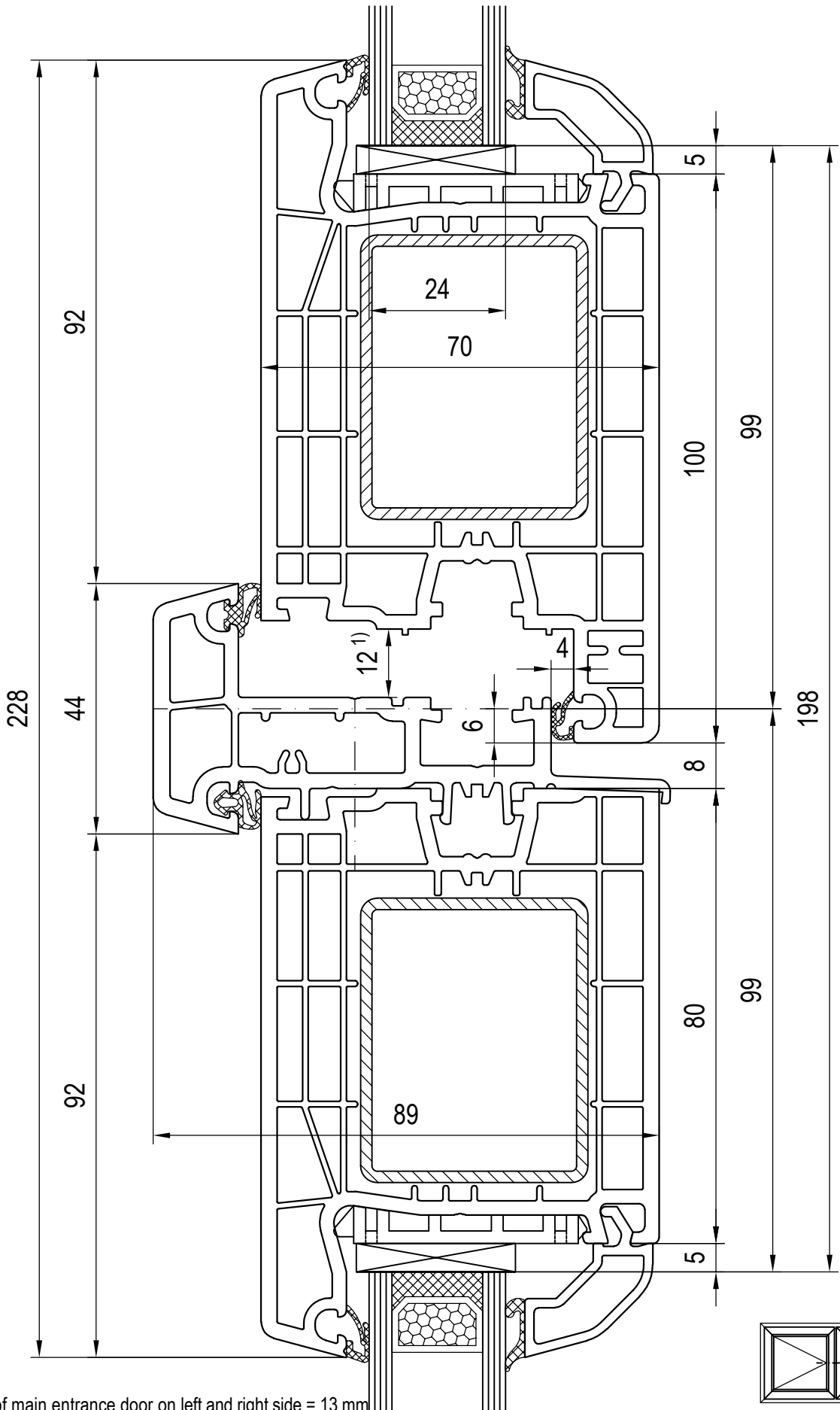
03\_L\_01\_4\*

en May be subject to change and errors excepted!

Combinations: sash - false mullion - sash  
120846/120876 Glazing bead

False mullion 140x65  
Sash 140x30





1) Rebate clearance of main entrance door on left and right side = 13 mm

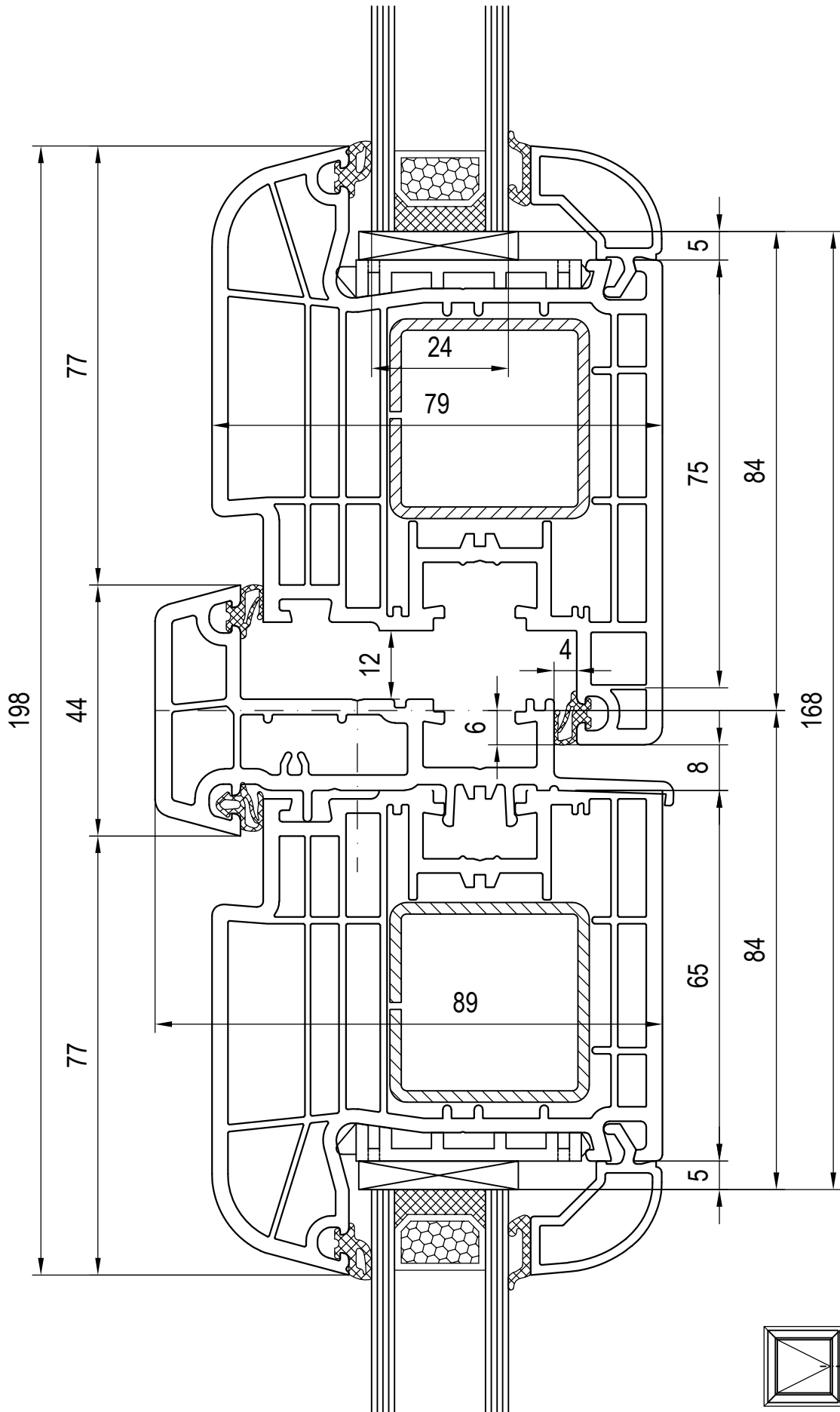
Scale 1:1

03\_L\_01\_4\*

en May be subject to change and errors excepted!

Combinations: sash - false mullion - sash  
120846/120876 Glazing bead

False mullion 140x65  
Sash 140x33



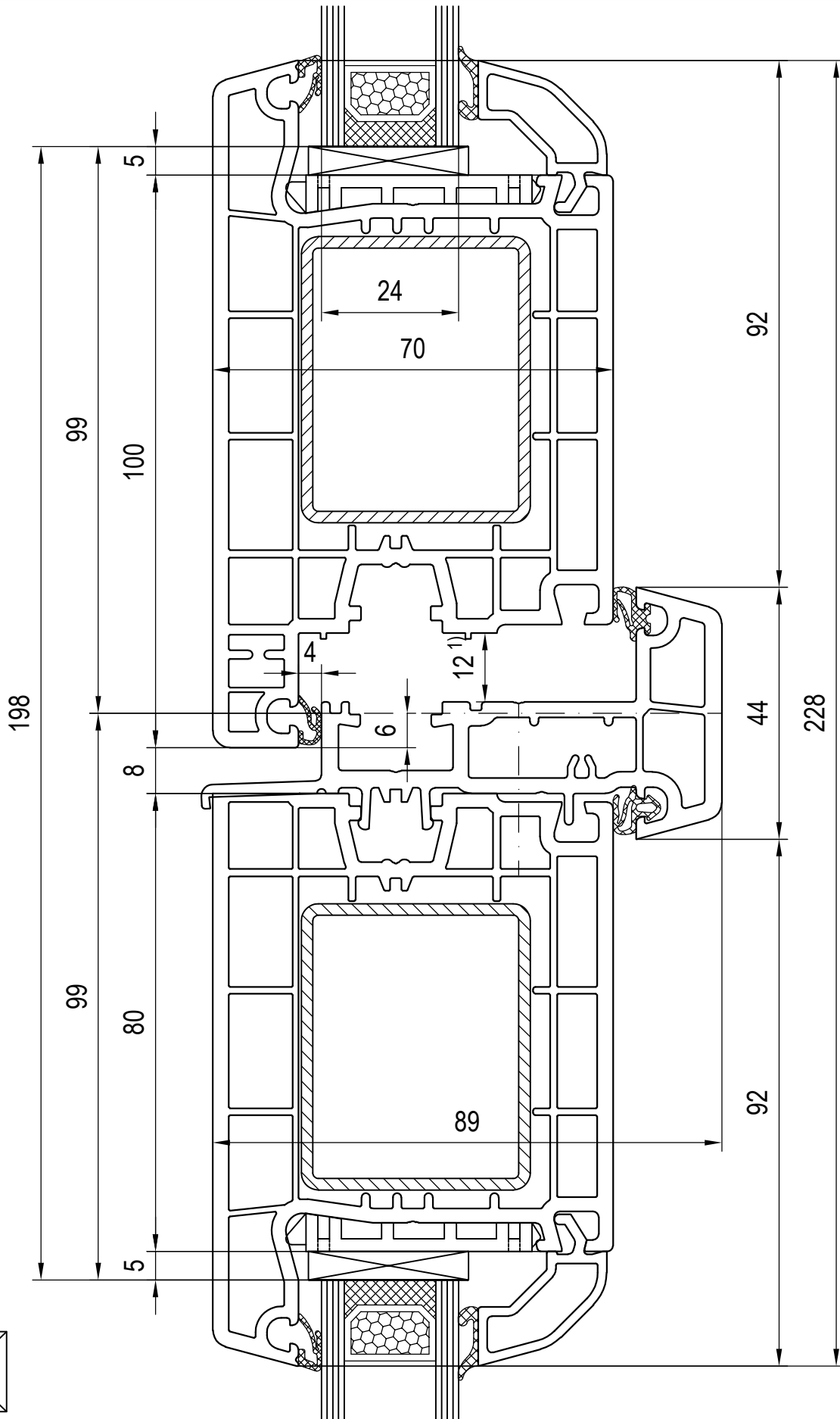
Scale 1:1

03\_L\_01\_4\*

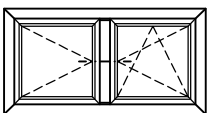
en May be subject to change and errors excepted!

Combinations: sash - false mullion - sash  
120850/120880 Glazing bead

False mullion 140x65  
Sash 140x34



1) Rebate clearance of main entrance door on left and right side = 13 mm



Scale 1:1

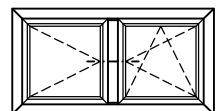
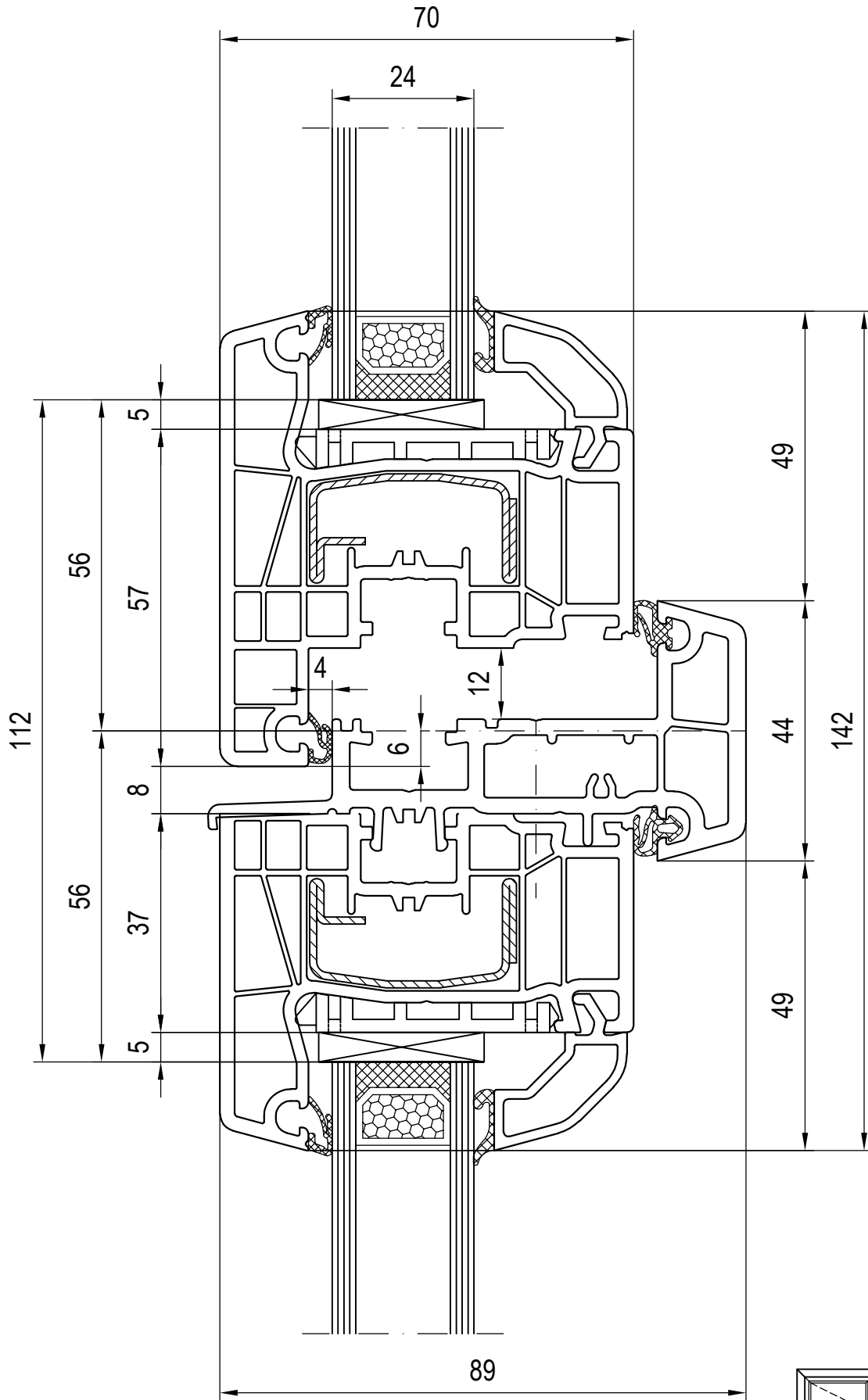
03\_L\_01\_4\*

en May be subject to change and errors excepted!

Combinations: sash - false mullion - sash  
120846/120876 Glazing bead

False mullion 140x65  
Sash 140x35





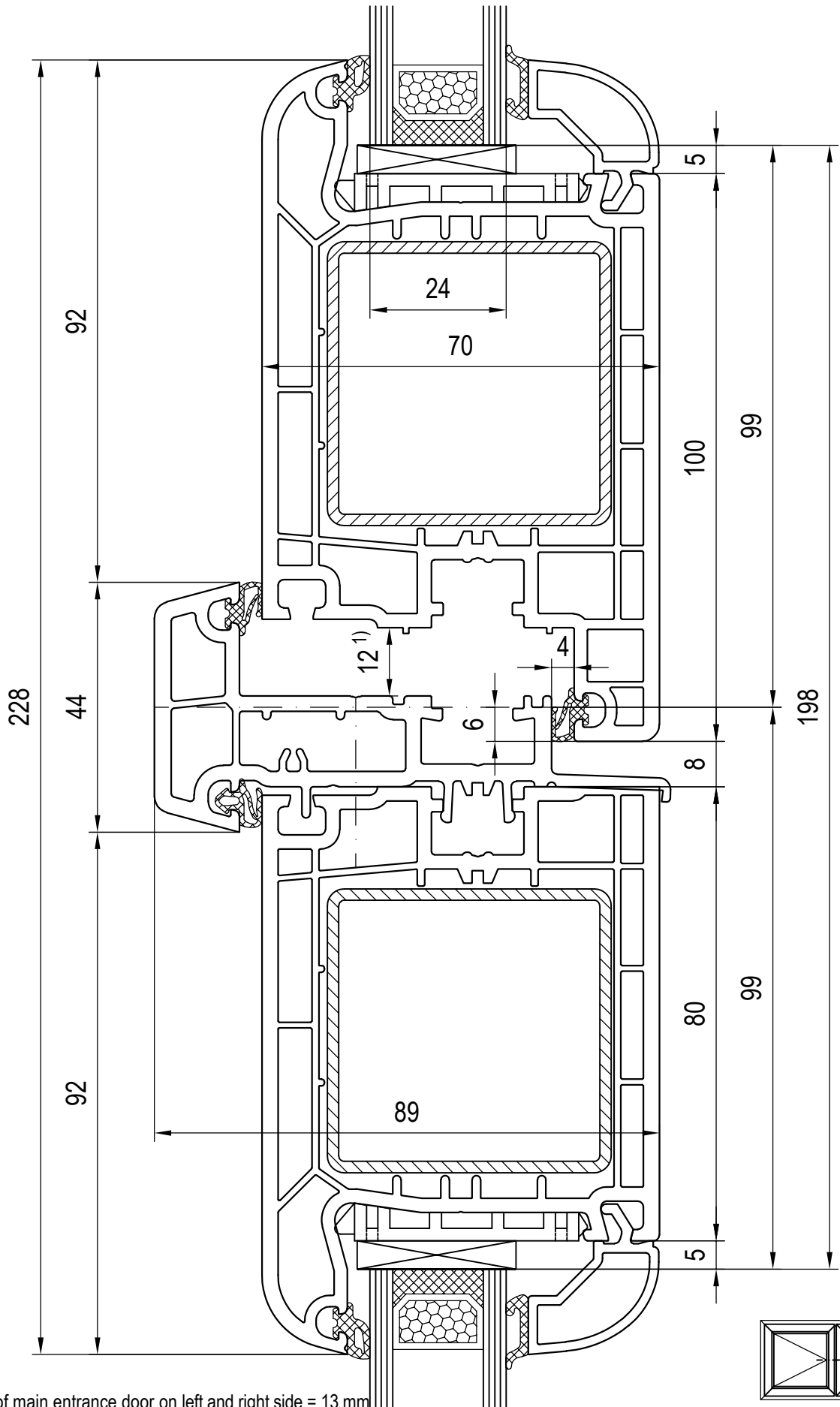
Scale 1:1

03\_L\_01\_4\*

en May be subject to change and errors excepted!

Combinations: sash - false mullion - sash  
120846/120876 Glazing bead

False mullion 140x65  
Sash 140x37



1) Rebate clearance of main entrance door on left and right side = 13 mm

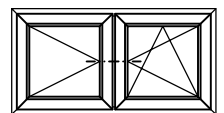
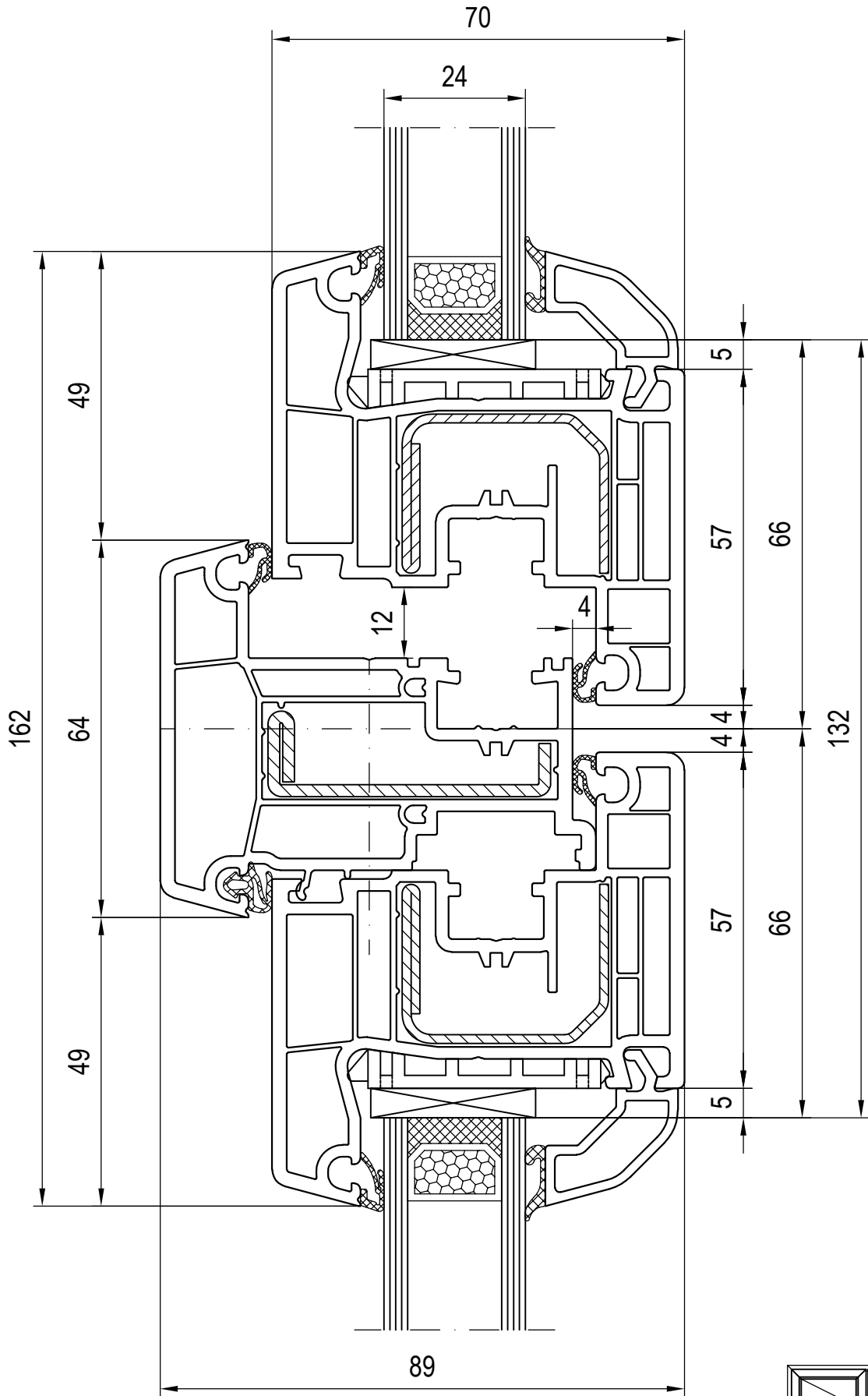
Scale 1:1

03\_L\_01\_4\*

en May be subject to change and errors excepted!

Combinations: sash - false mullion - sash  
120850/120880 Glazing bead

False mullion 140x65  
Sash 140x38



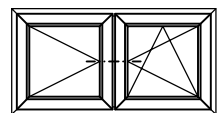
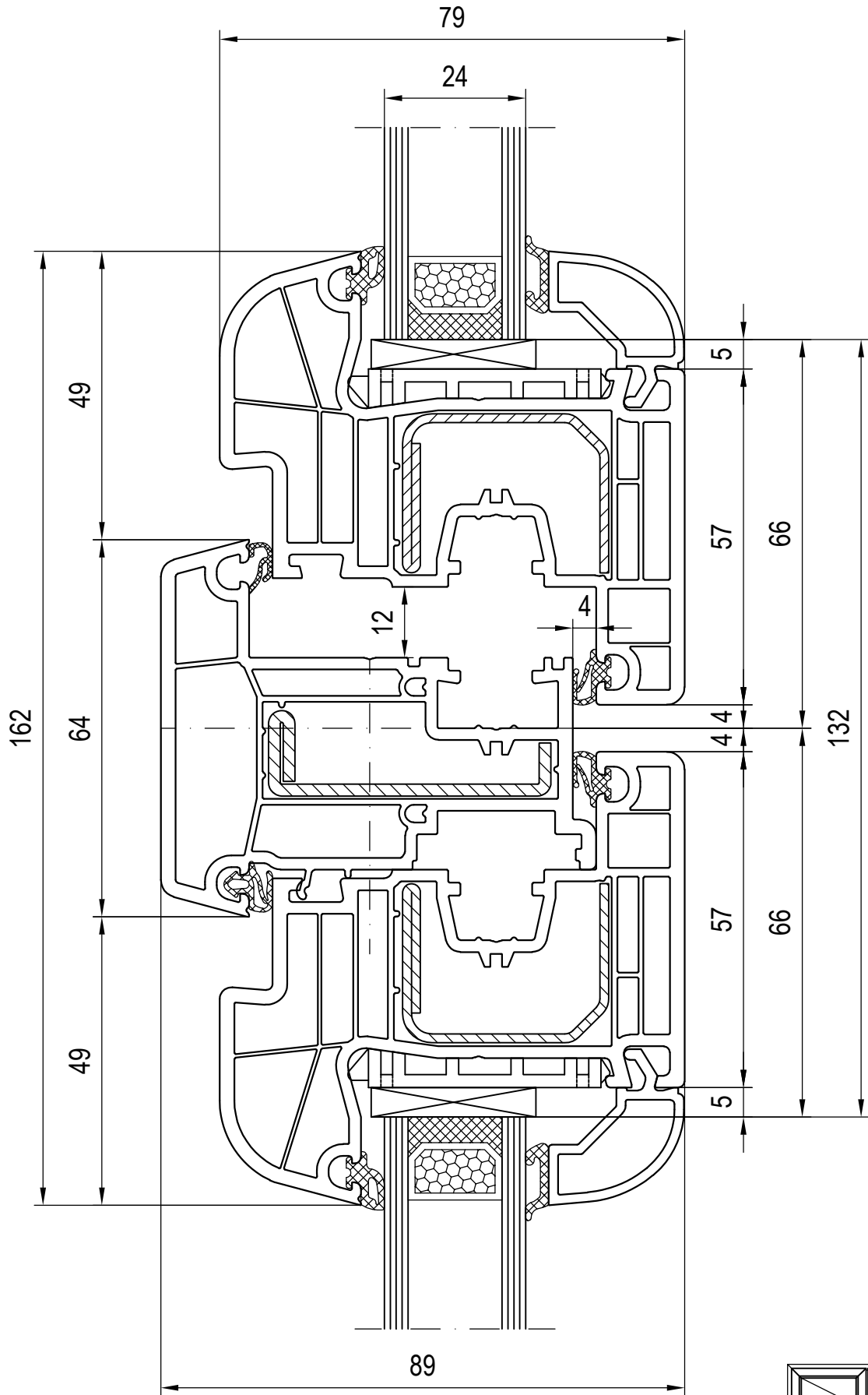
Scale 1:1

03\_L\_01\_4\*

en May be subject to change and errors excepted!

Combinations: sash - false mullion - sash  
120846/120876 Glazing bead

False mullion 140x66  
Sash 140x20



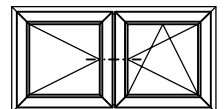
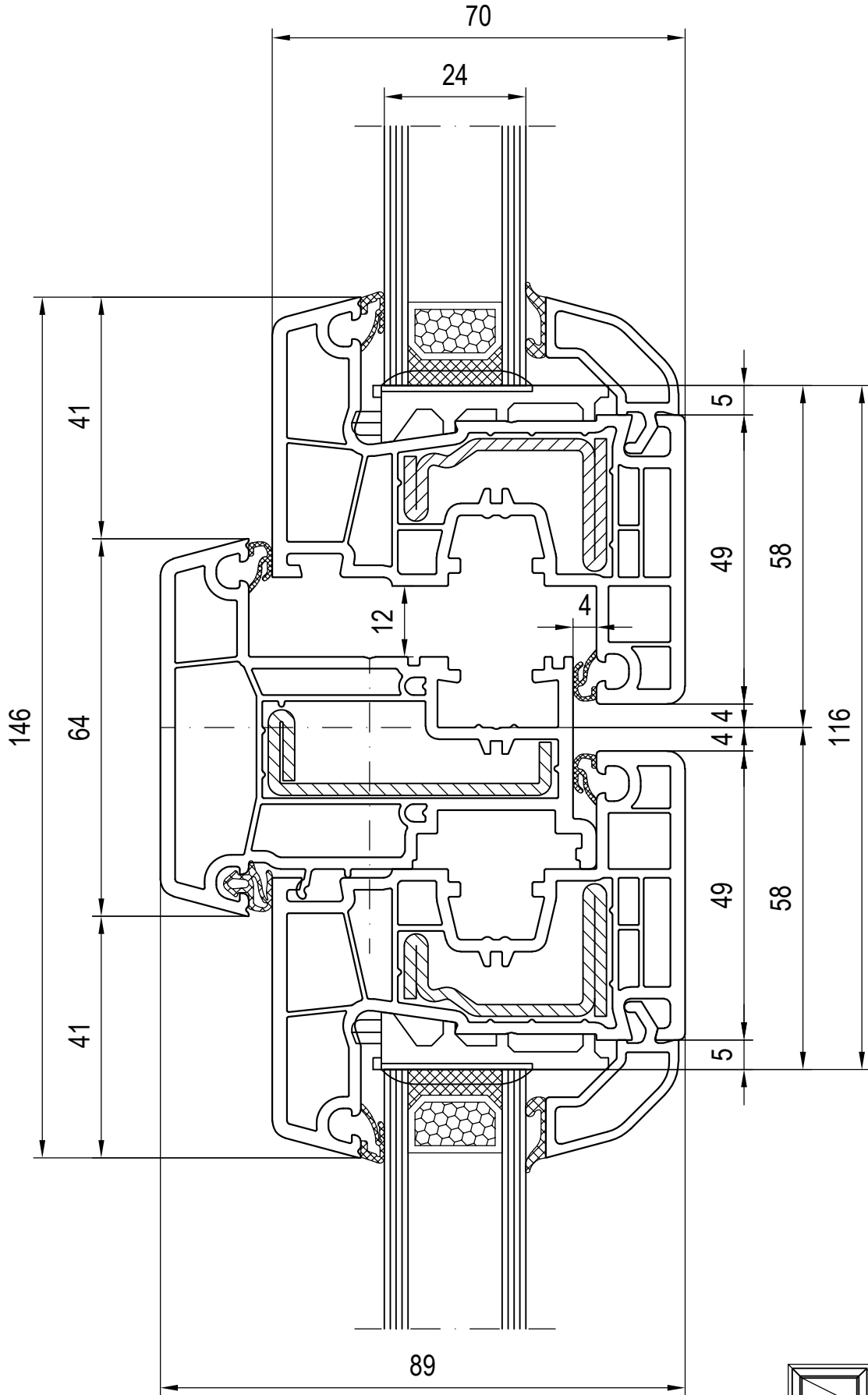
Scale 1:1

03\_L\_01\_4\*

en May be subject to change and errors excepted!

Combinations: sash - false mullion - sash  
120850/120880 Glazing bead

False mullion 140x66  
Sash 140x22



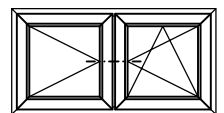
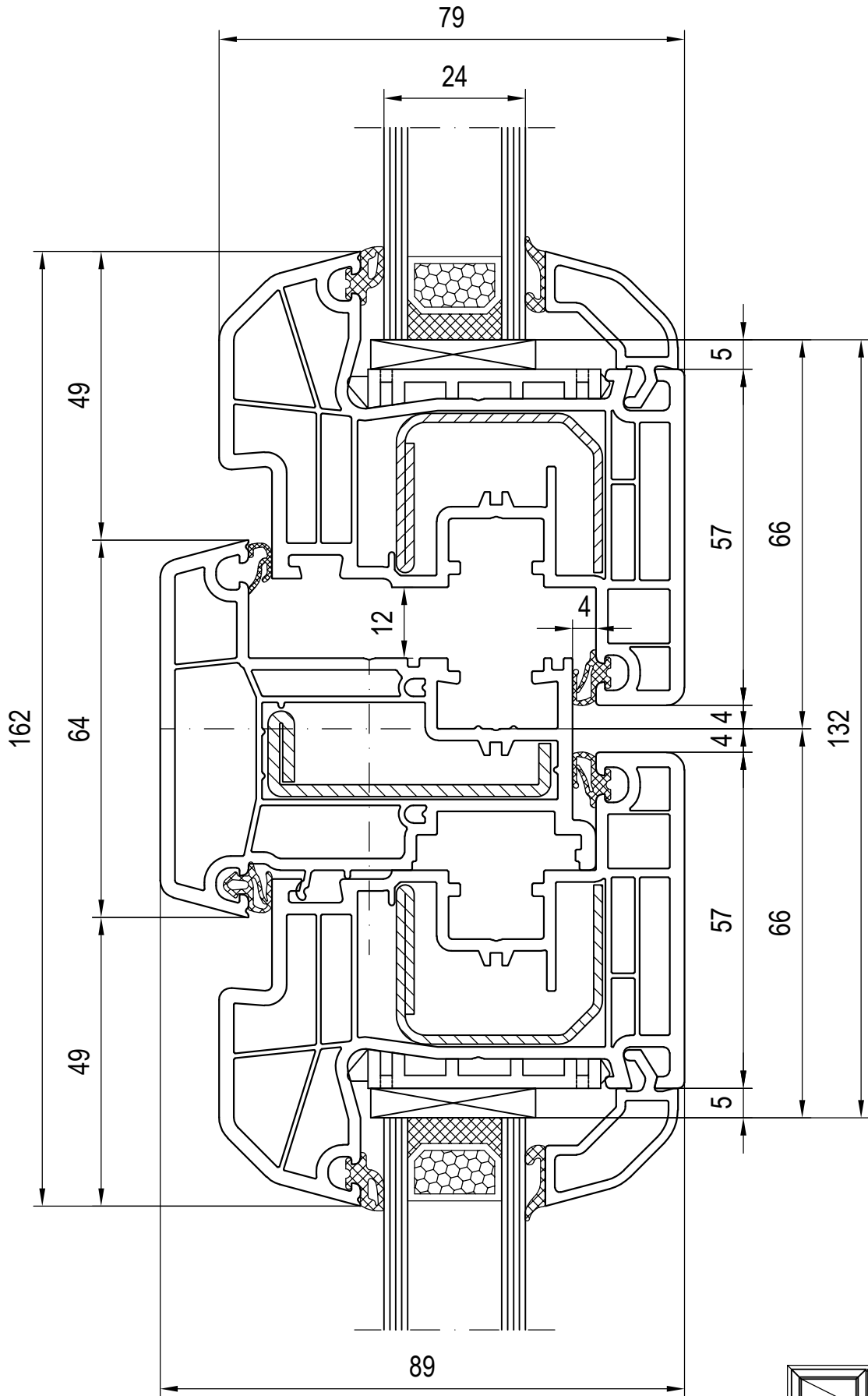
Scale 1:1

03\_L\_01\_4\*

en May be subject to change and errors excepted!

Combinations: sash - false mullion - sash  
120846/120876 Glazing bead

False mullion 140x66  
Sash 140x24



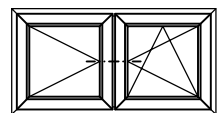
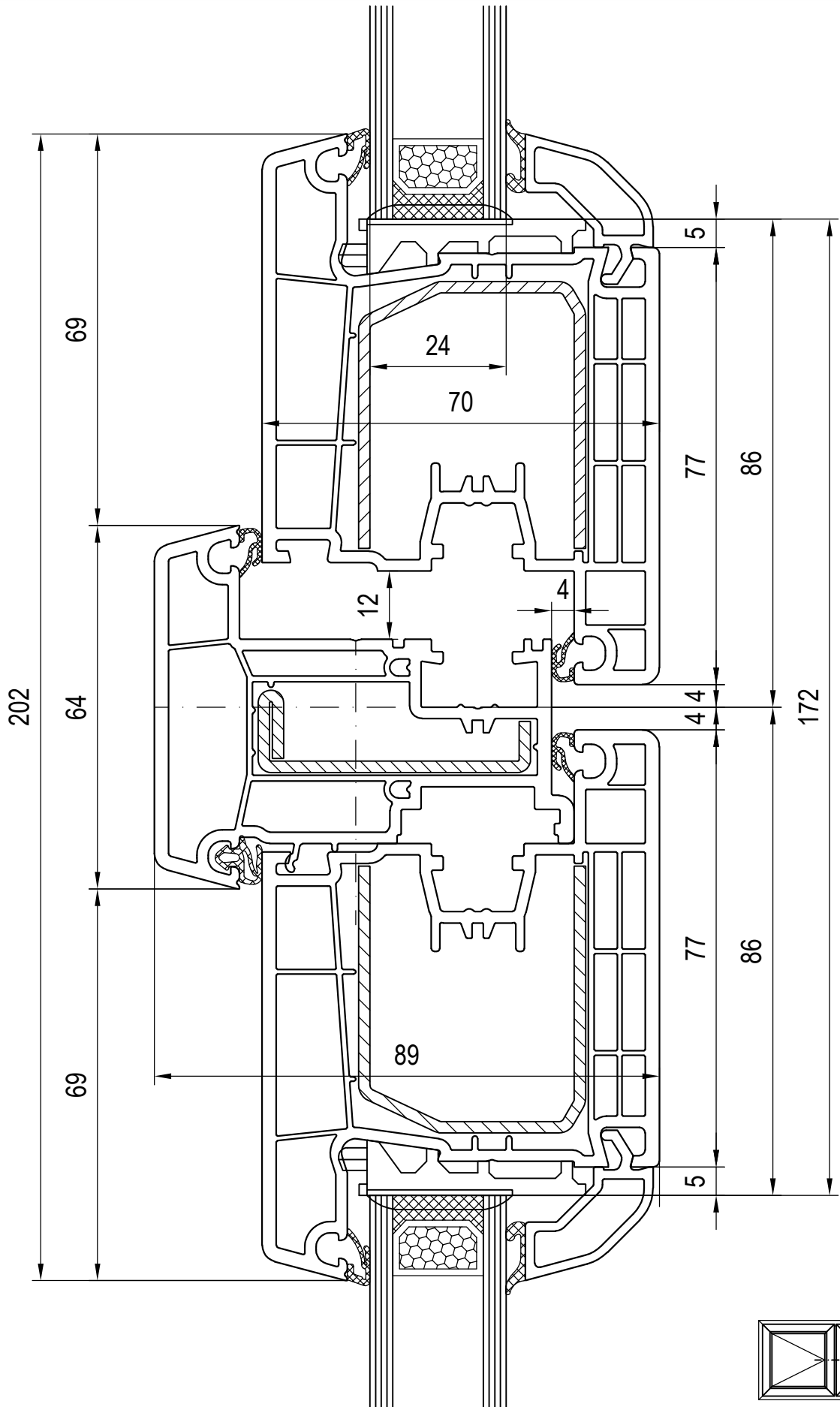
Scale 1:1

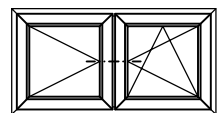
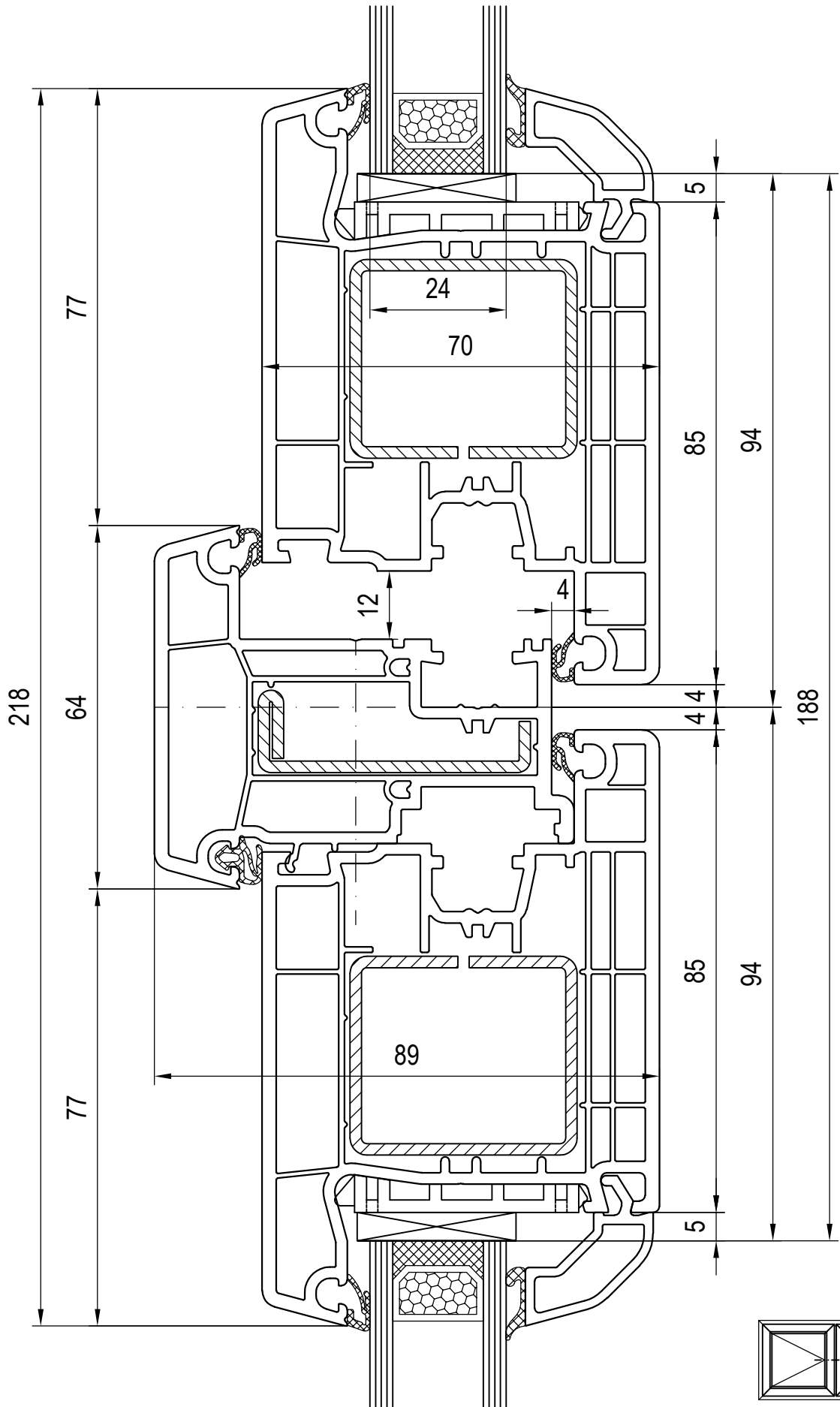
03\_L\_01\_4\*

en May be subject to change and errors excepted!

Combinations: sash - false mullion - sash  
120846/120876 Glazing bead

False mullion 140x66  
Sash 140x26



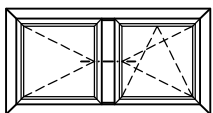
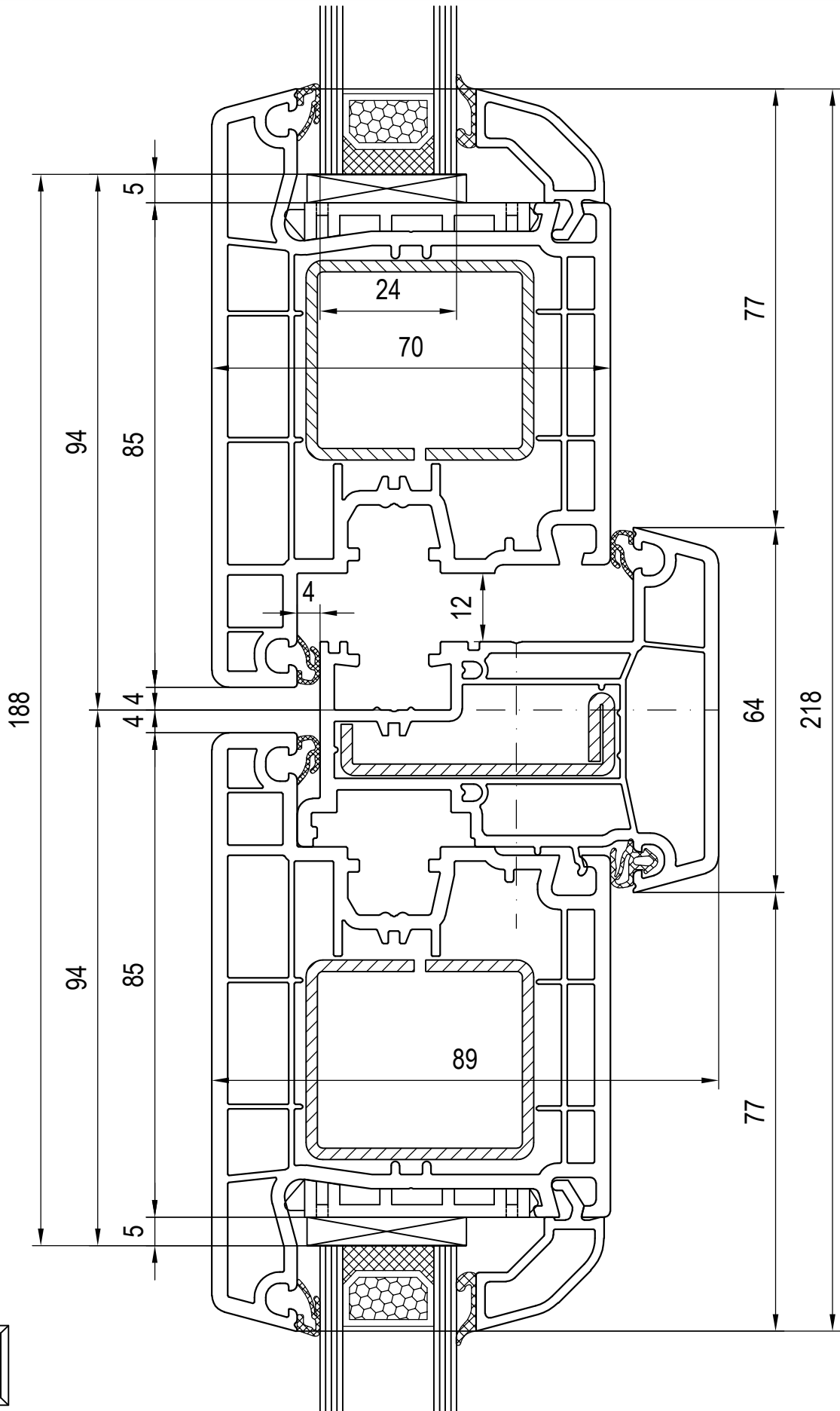


Scale 1:1  
03\_L\_01\_4\*  
en May be subject to change and errors excepted!

Combinations: sash - false mullion - sash  
120846/120876 Glazing bead

False mullion 140x66  
Sash 140x30





Scale 1:1

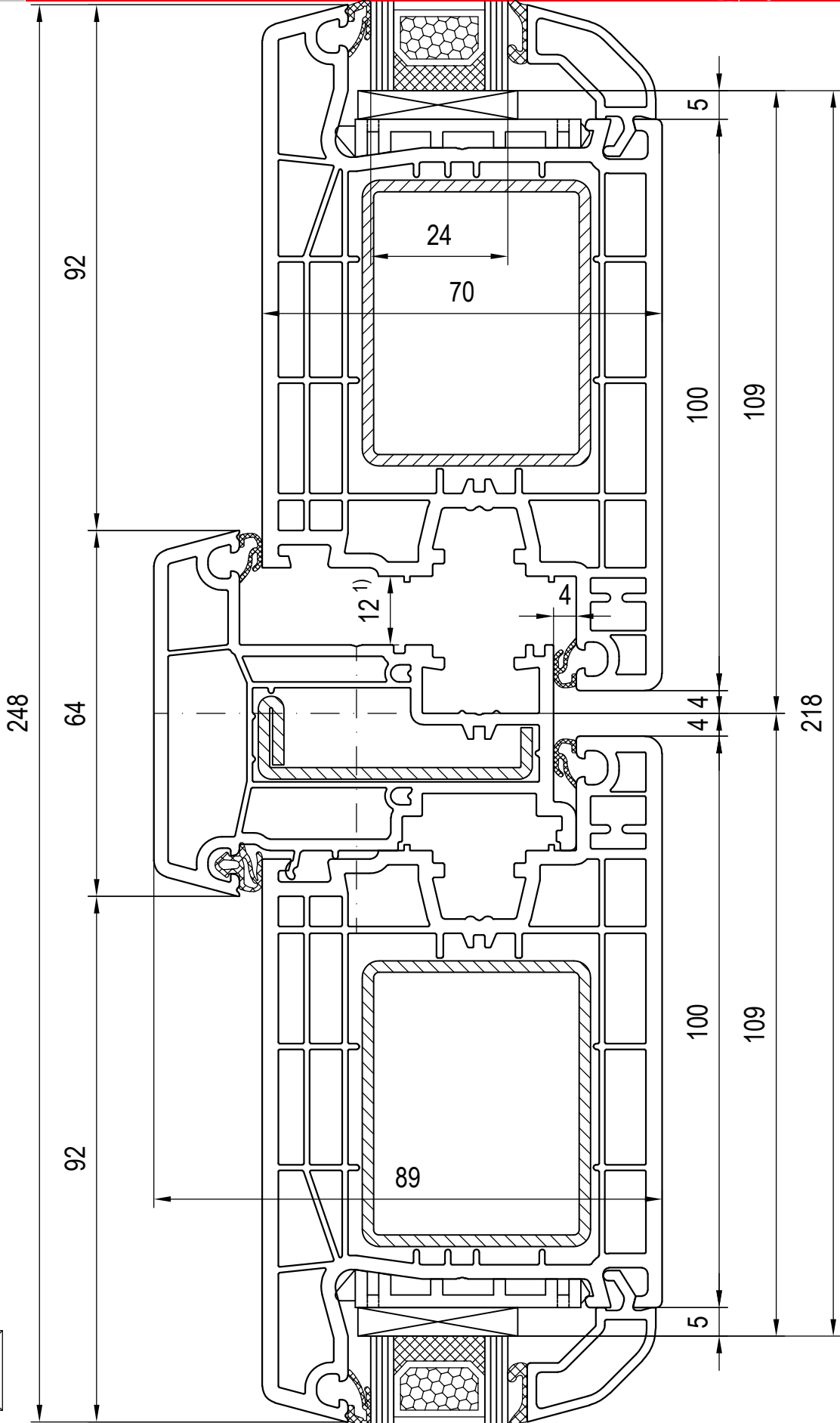
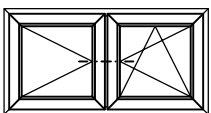
03\_L\_01\_4\*

en May be subject to change and errors excepted!

Combinations: sash - false mullion - sash  
120846/120876 Glazing bead

False mullion 140x66  
Sash 140x31

1) Rebate clearance of main entrance door on left and right side = 13 mm



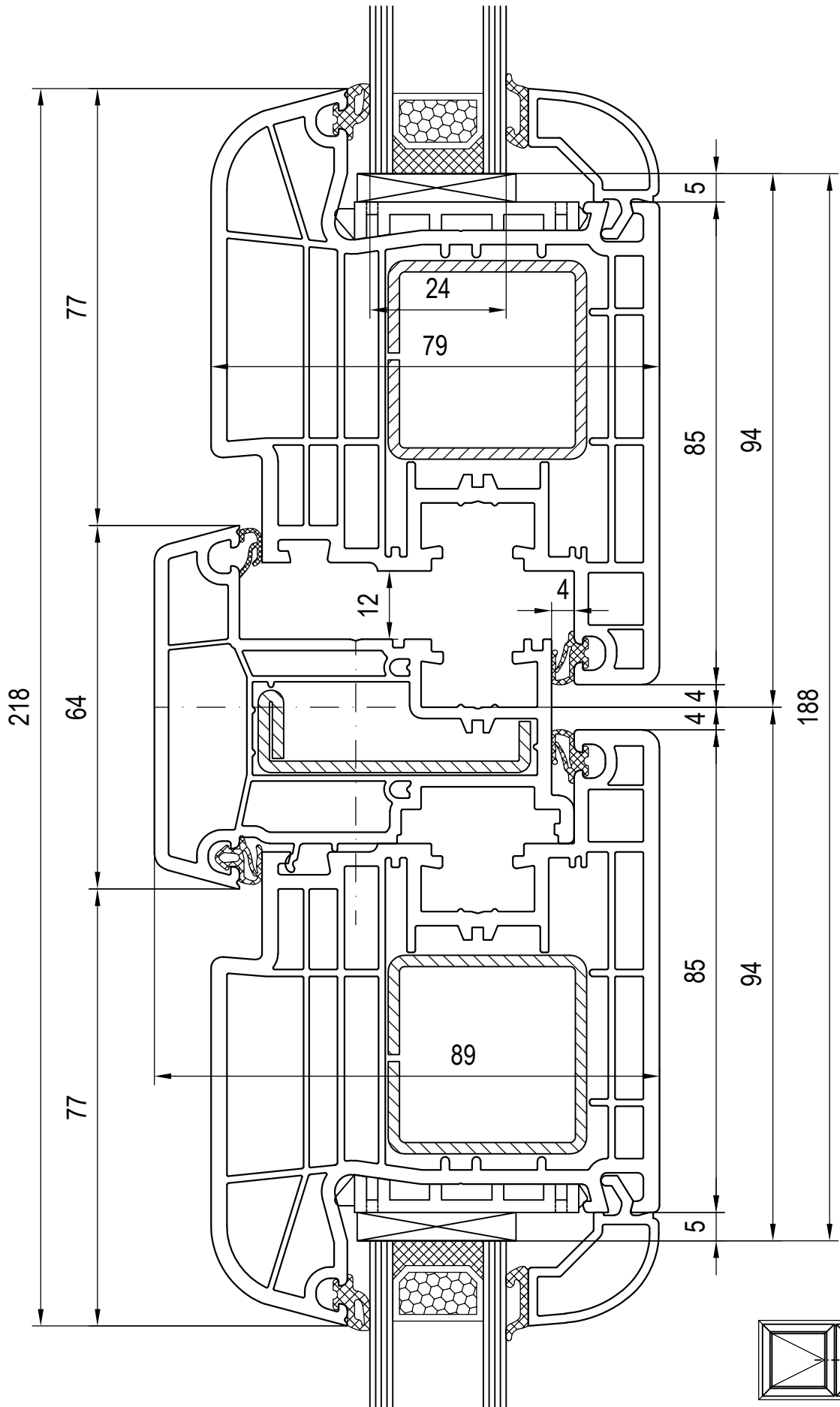
Scale 1:1

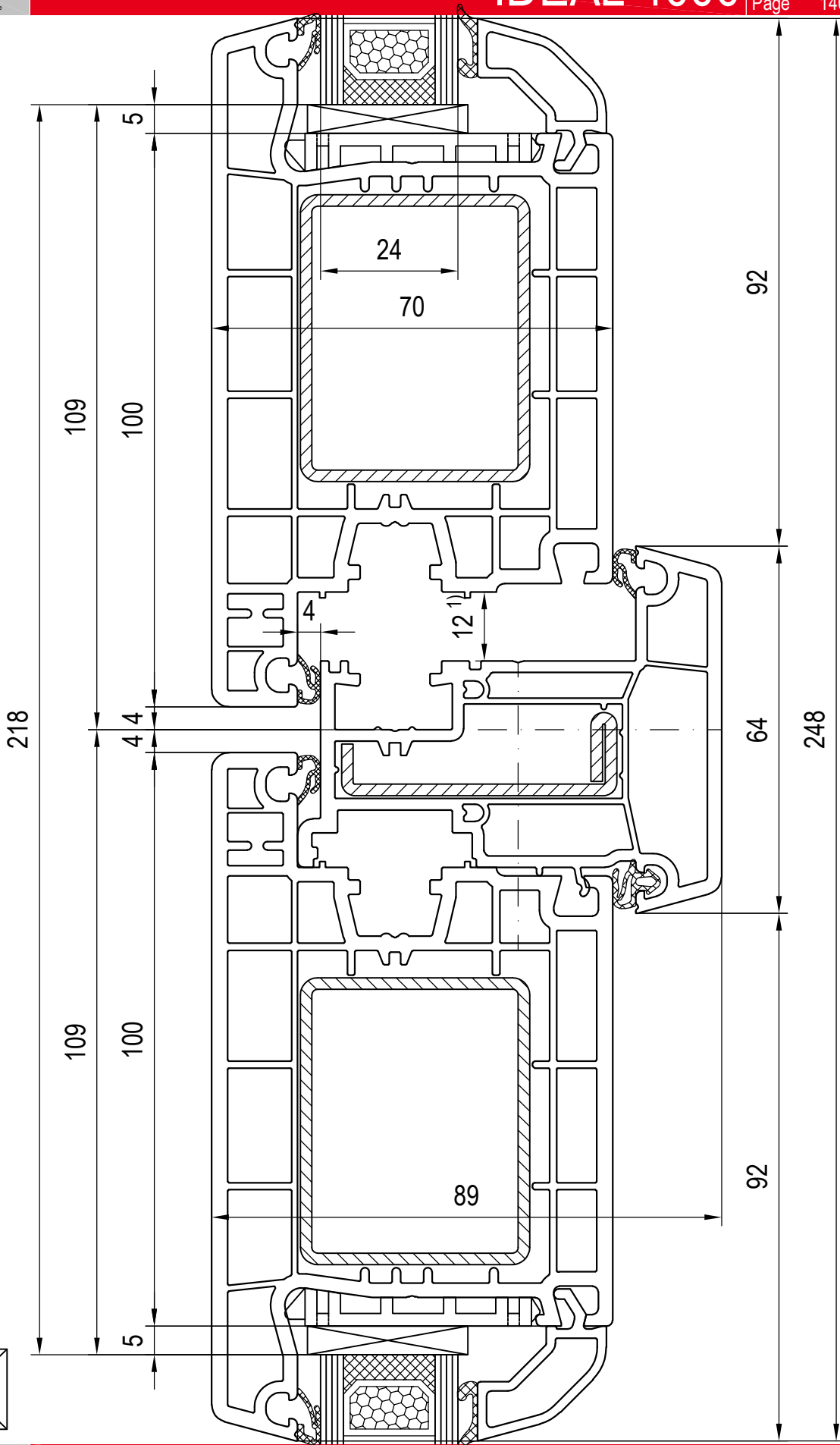
03\_L\_01\_4\*

en May be subject to change and errors excepted!

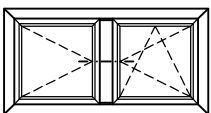
Combinations: sash - false mullion - sash  
120846/120876 Glazing bead

False mullion 140x66  
Sash 140x33





1) Rebate clearance of main entrance door on left and right side = 13 mm



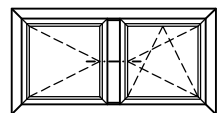
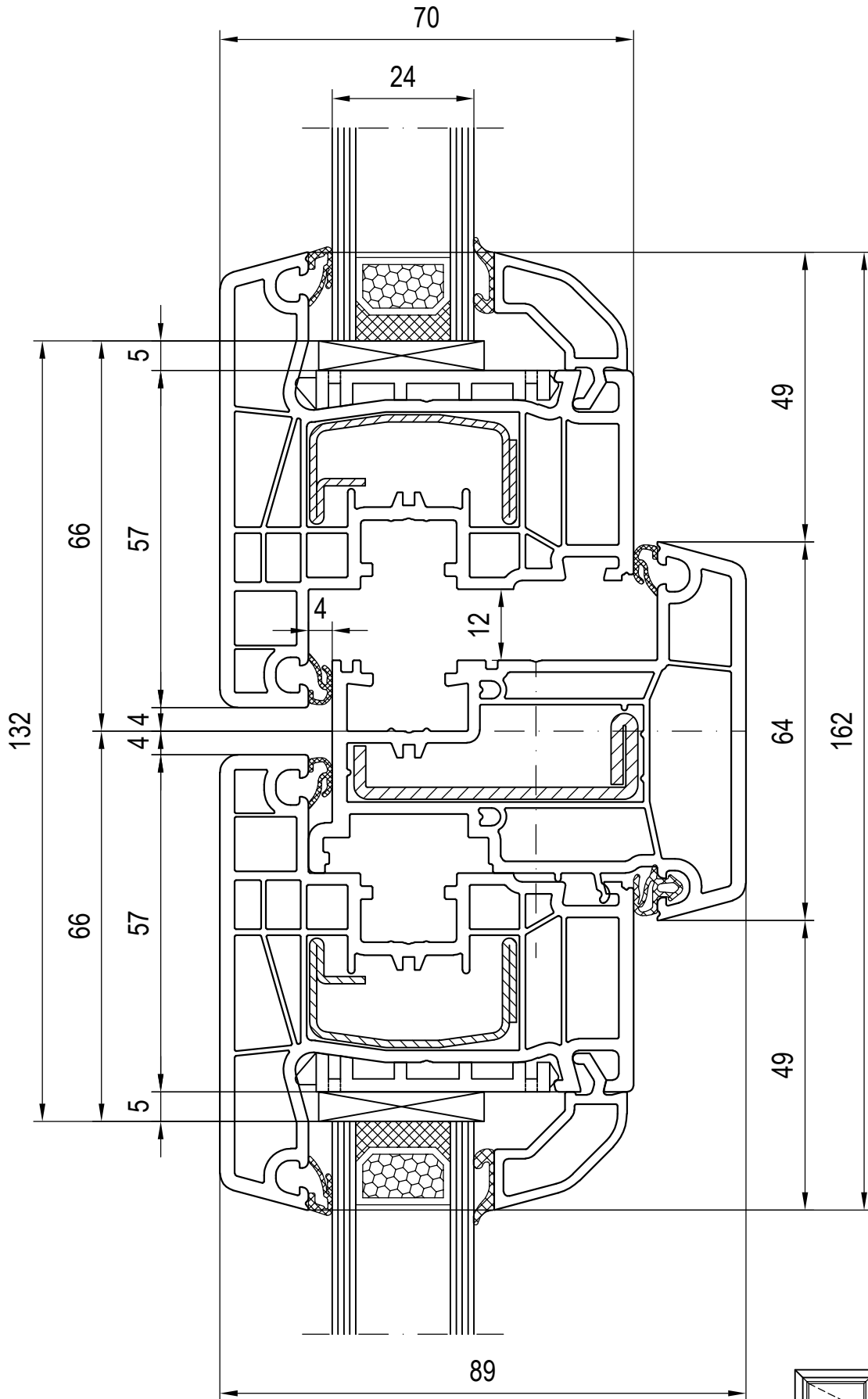
Scale 1:1

03\_L\_01\_4\*

en May be subject to change and errors excepted!

Combinations: sash - false mullion - sash  
120846/120876 Glazing bead

False mullion 140x66  
Sash 140x35



Scale 1:1

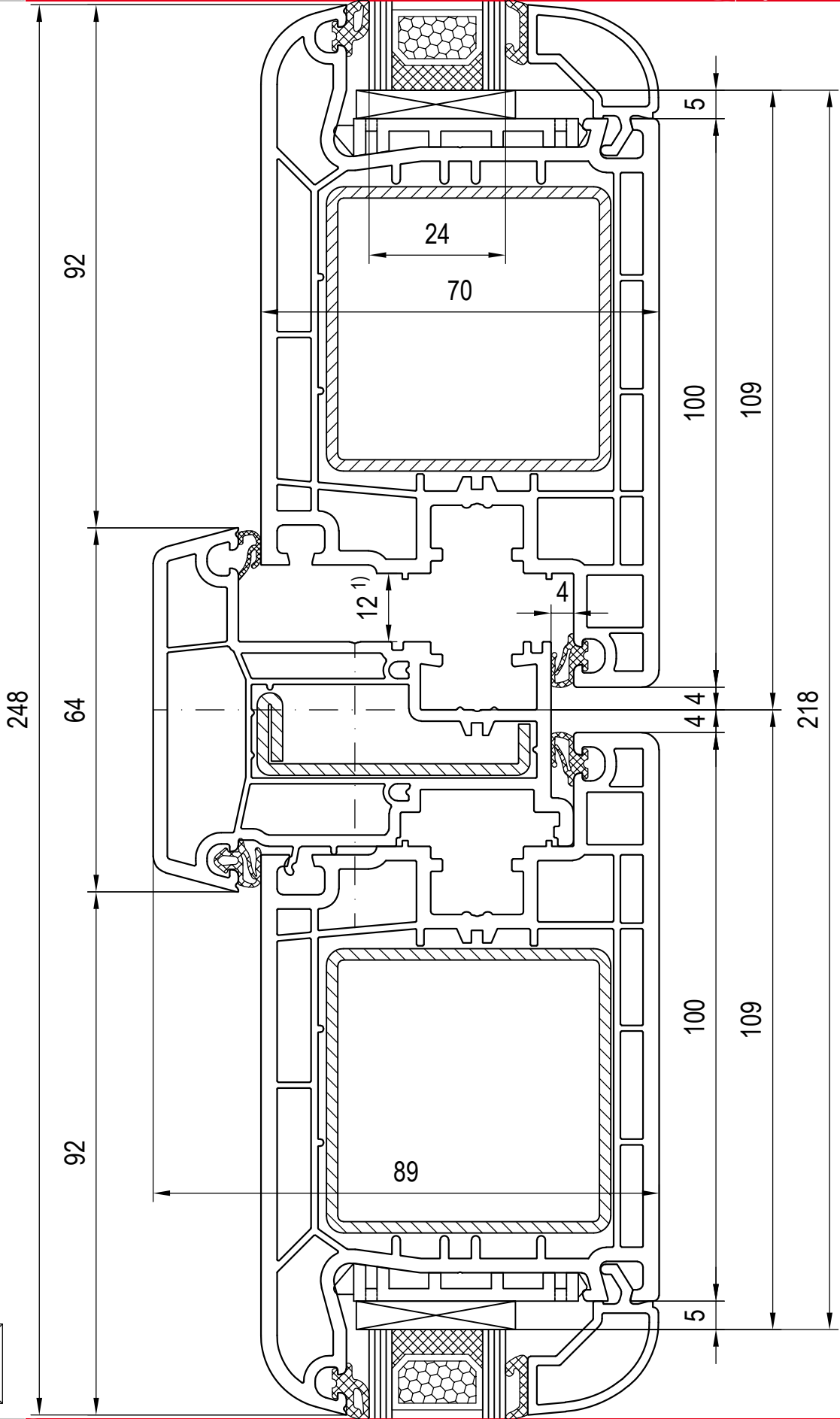
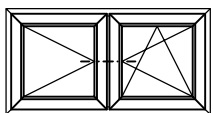
03\_L\_01\_4\*

en May be subject to change and errors excepted!

Combinations: sash - false mullion - sash  
120846/120876 Glazing bead

False mullion 140x66  
Sash 140x37

1) Rebate clearance of main entrance door on left and right side = 13 mm



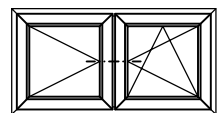
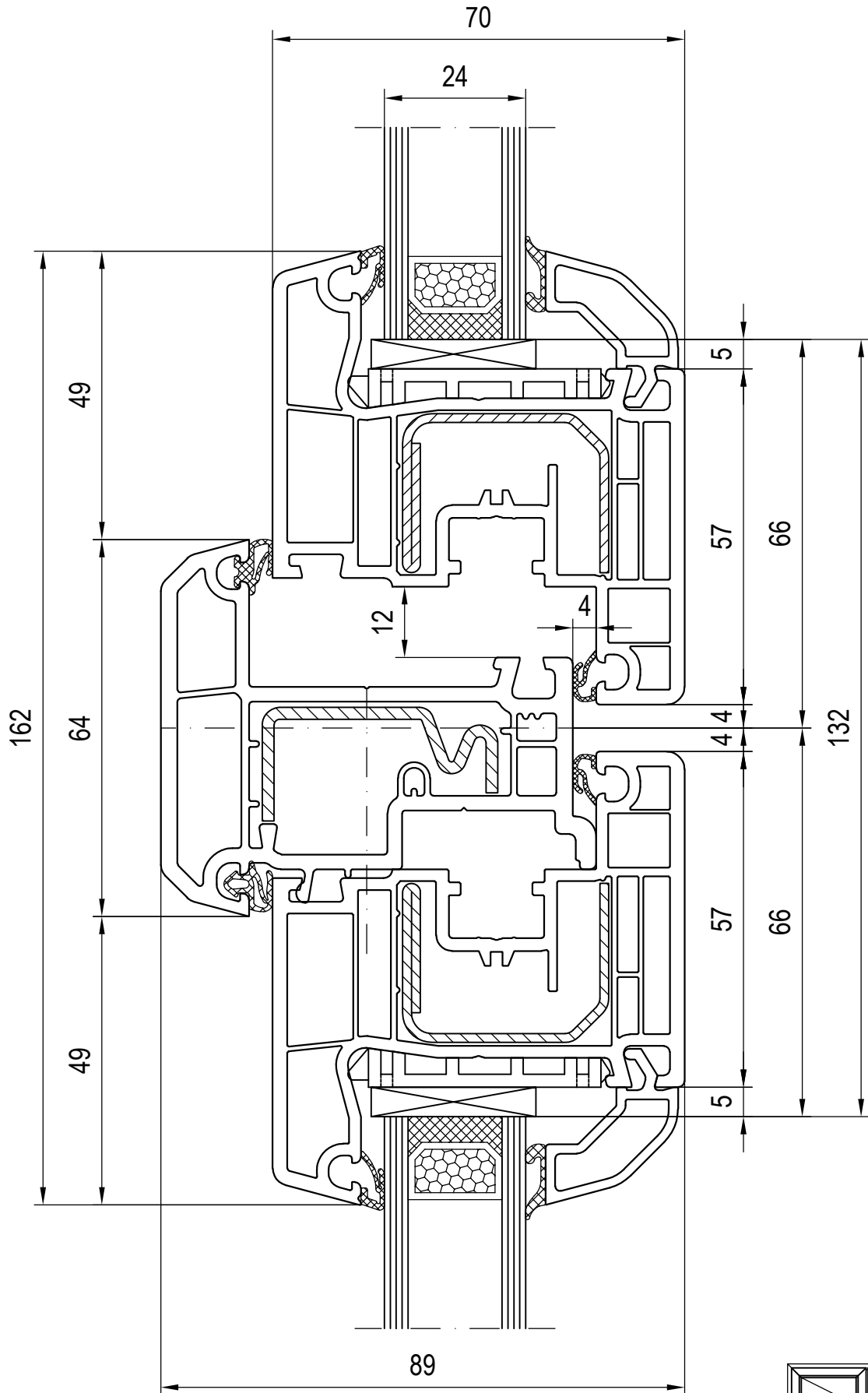
Scale 1:1

03\_L\_01\_4\*

en May be subject to change and errors excepted!

Combinations: sash - false mullion - sash  
120850/120880 Glazing bead

False mullion 140x66  
Sash 140x38



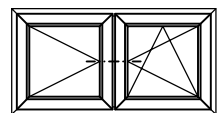
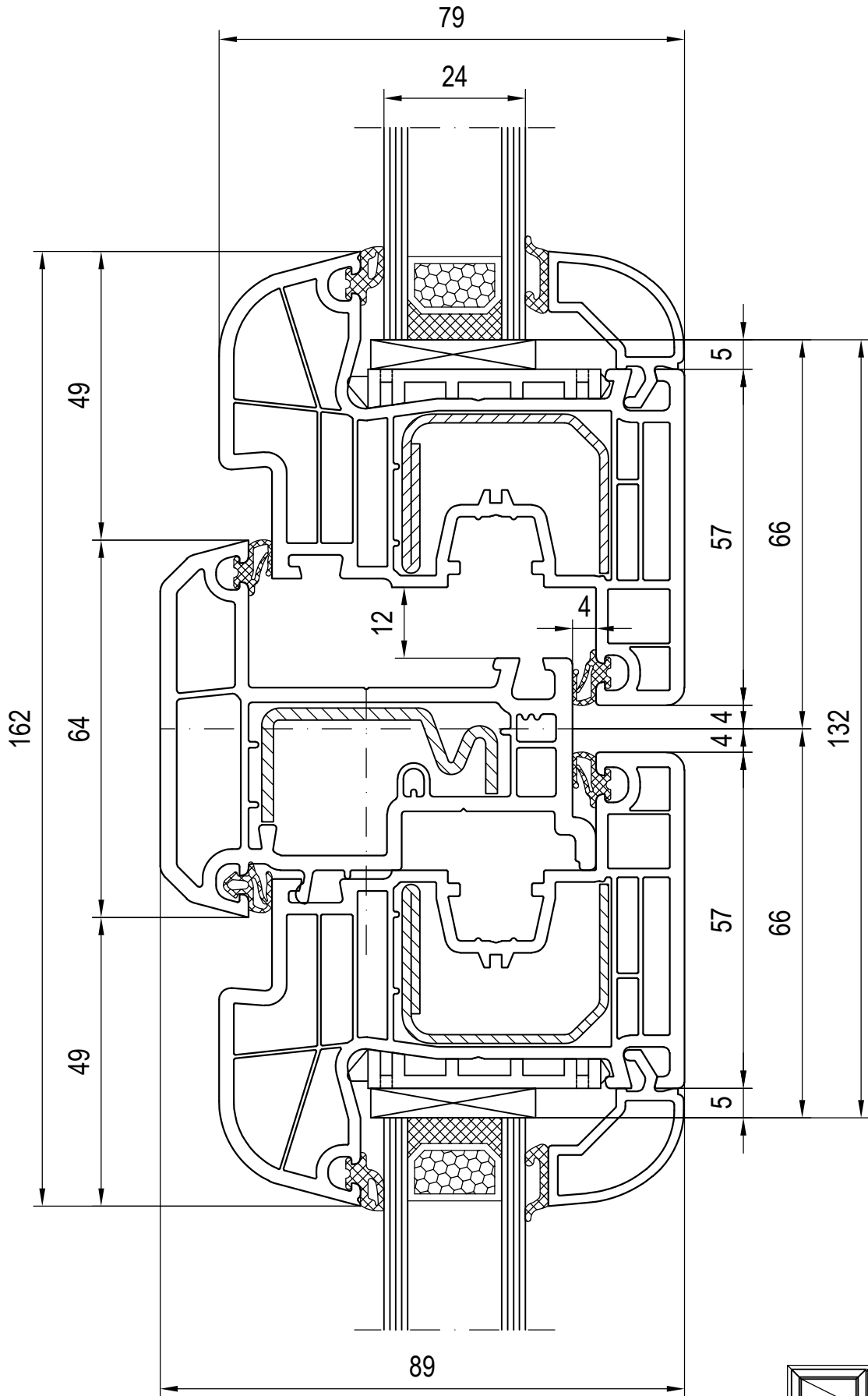
Scale 1:1

03\_L\_01\_4\*

en May be subject to change and errors excepted!

Combinations: sash - false mullion - sash  
120846/120876 Glazing bead

False mullion 140x67  
Sash 140x20



Scale 1:1

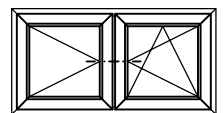
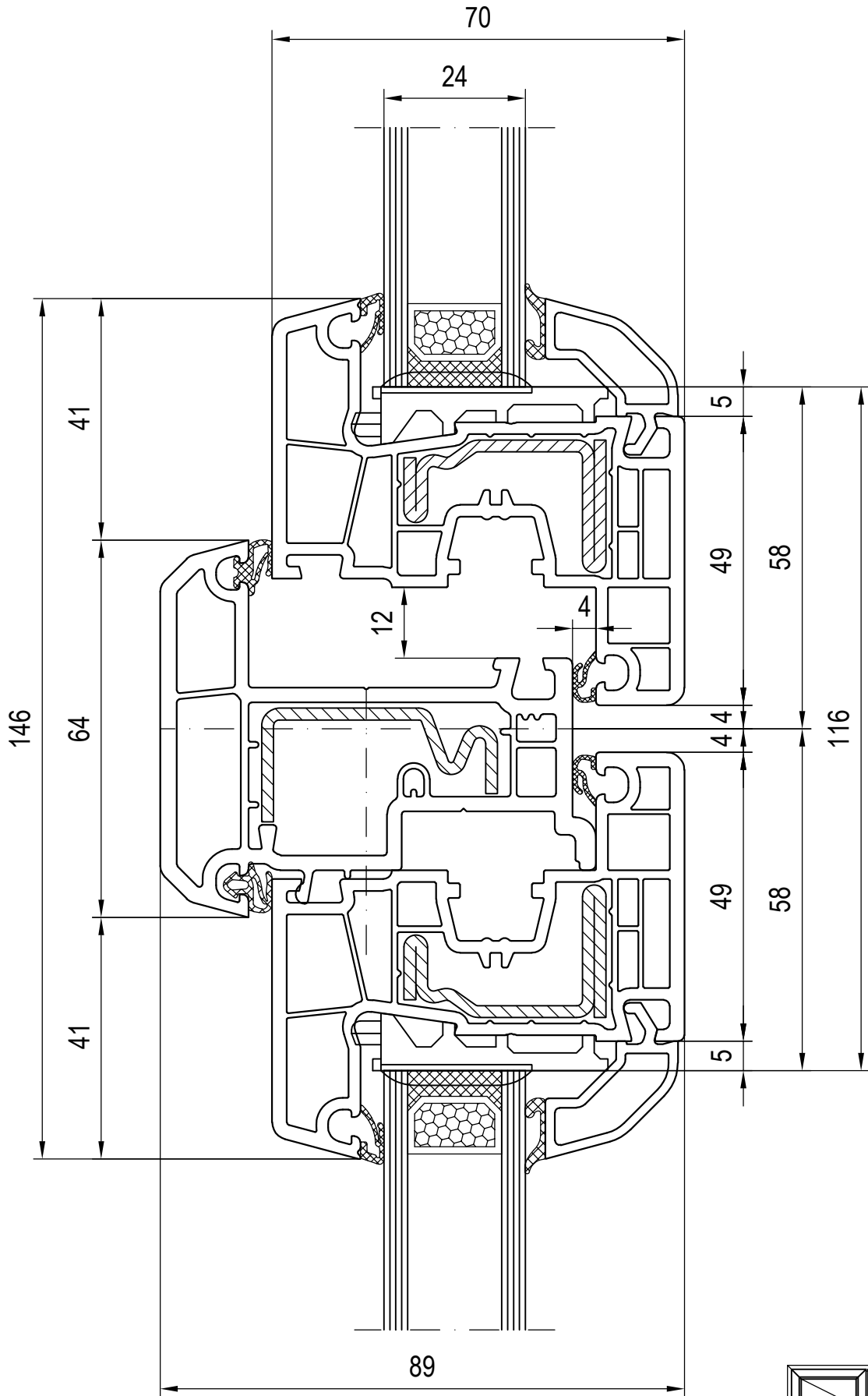
03\_L\_01\_4\*

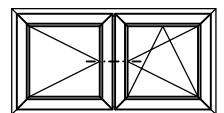
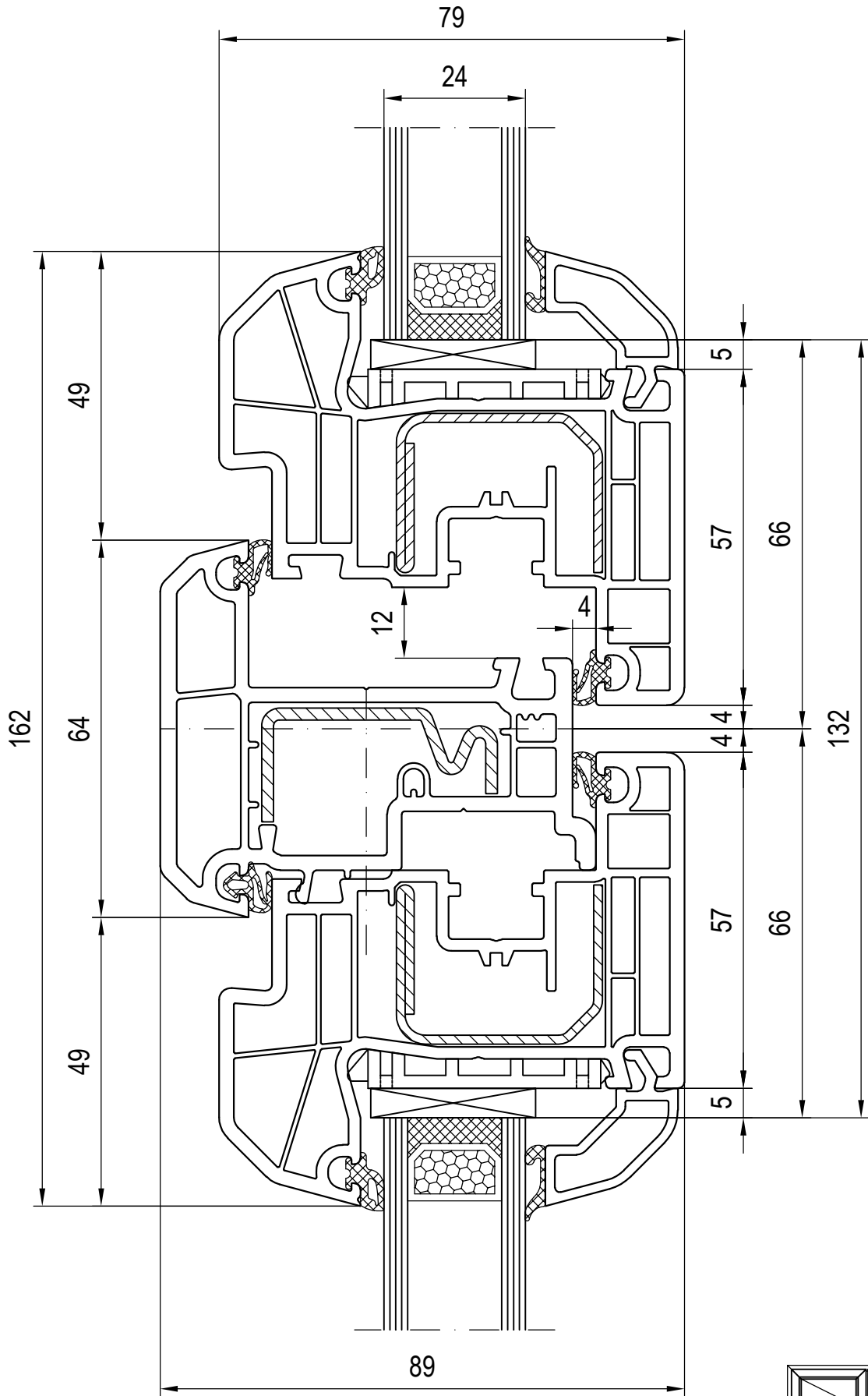
en May be subject to change and errors excepted!

Combinations: sash - false mullion - sash  
120850/120880 Glazing bead

False mullion 140x67  
Sash 140x22







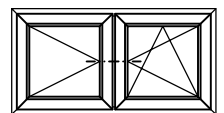
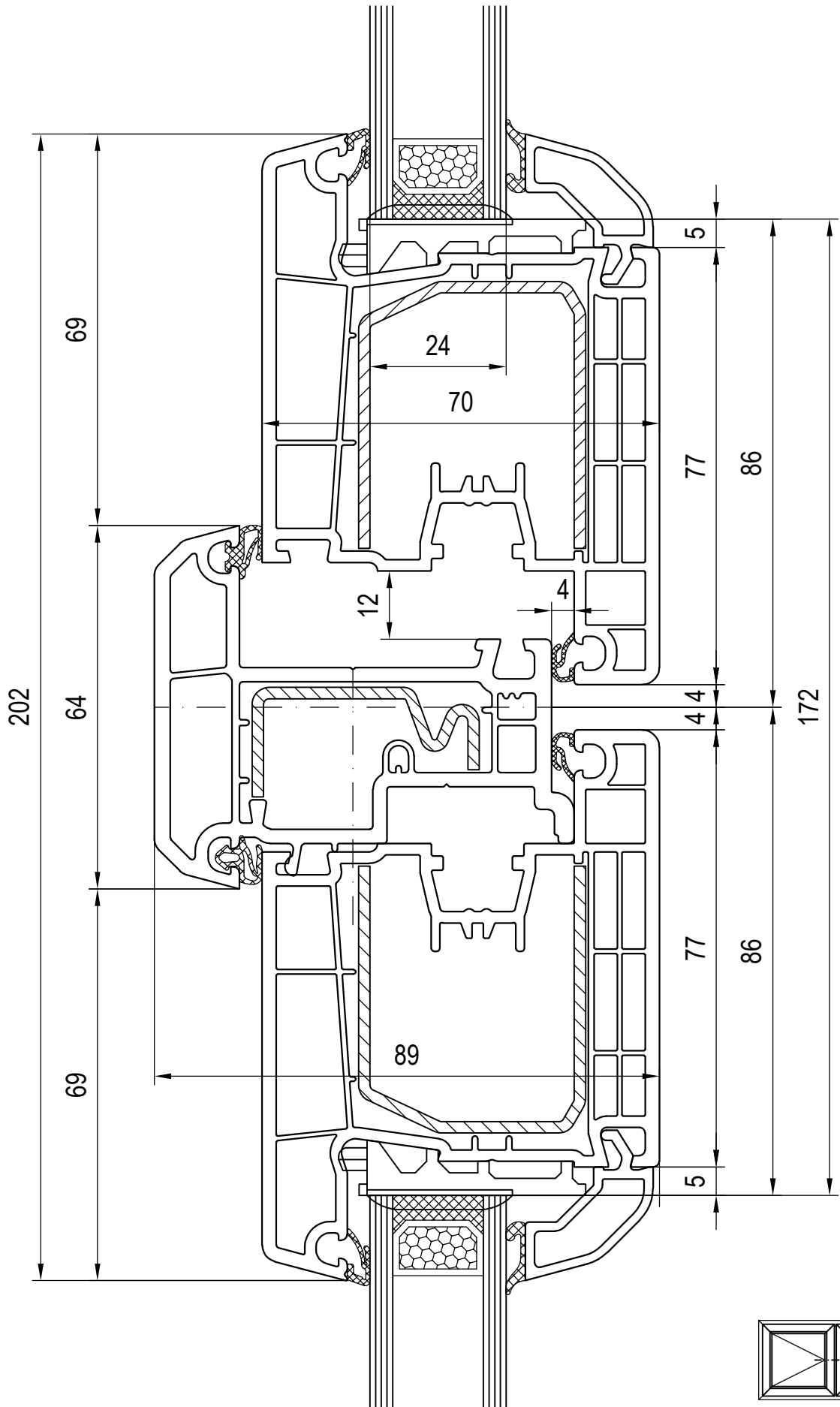
Scale 1:1

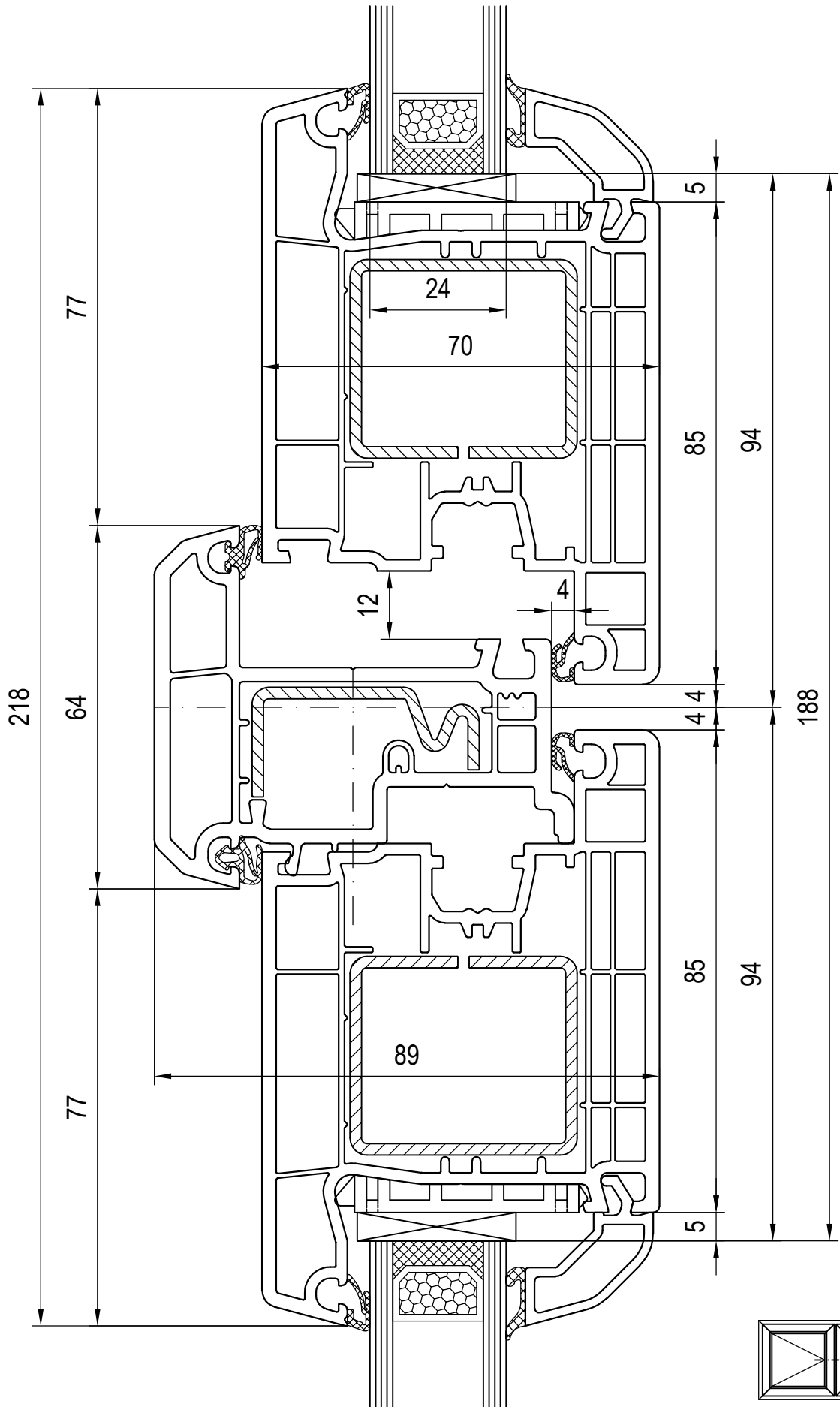
03\_L\_01\_4\*

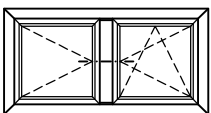
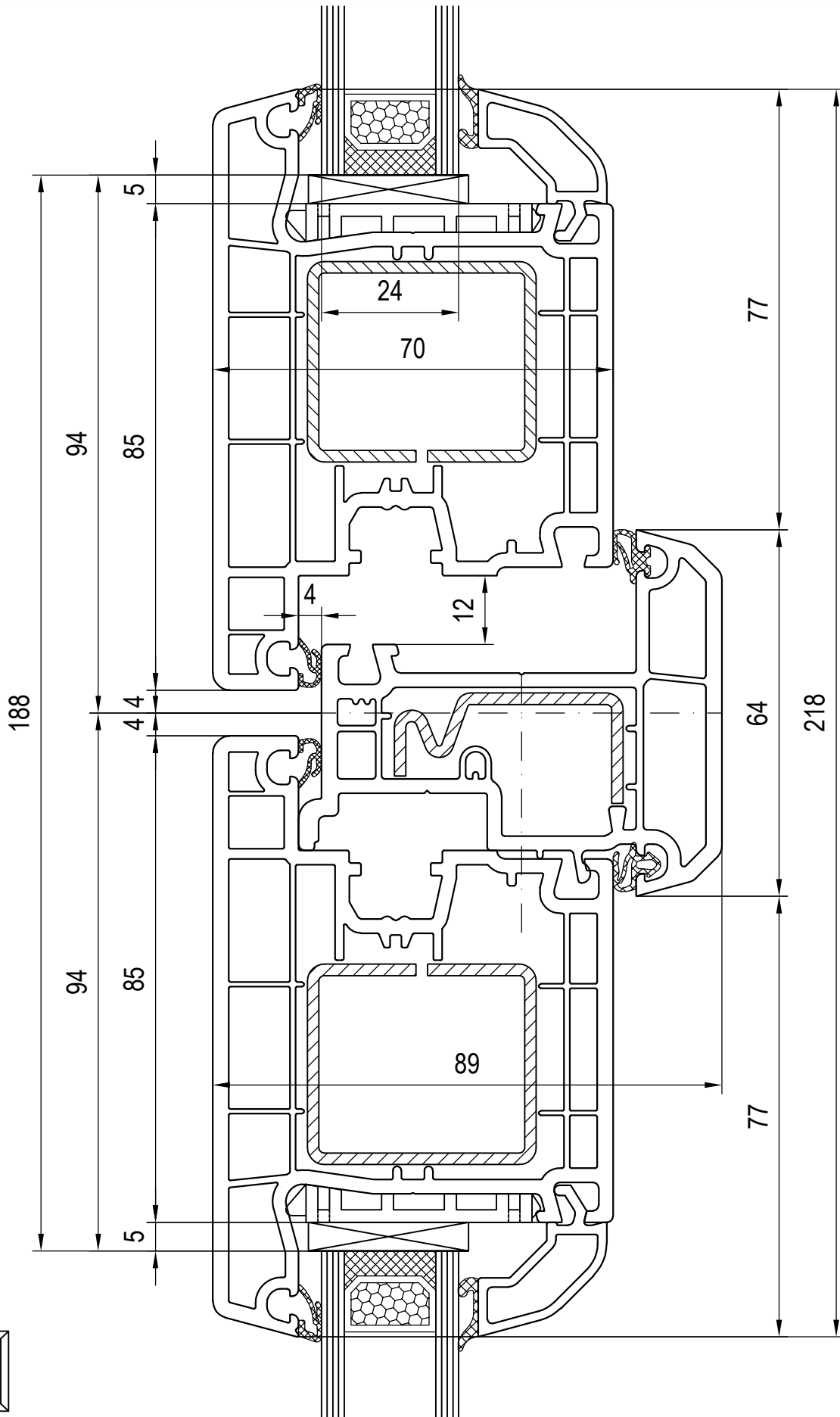
en May be subject to change and errors excepted!

Combinations: sash - false mullion - sash  
120846/120876 Glazing bead

False mullion 140x67  
Sash 140x26







Scale 1:1

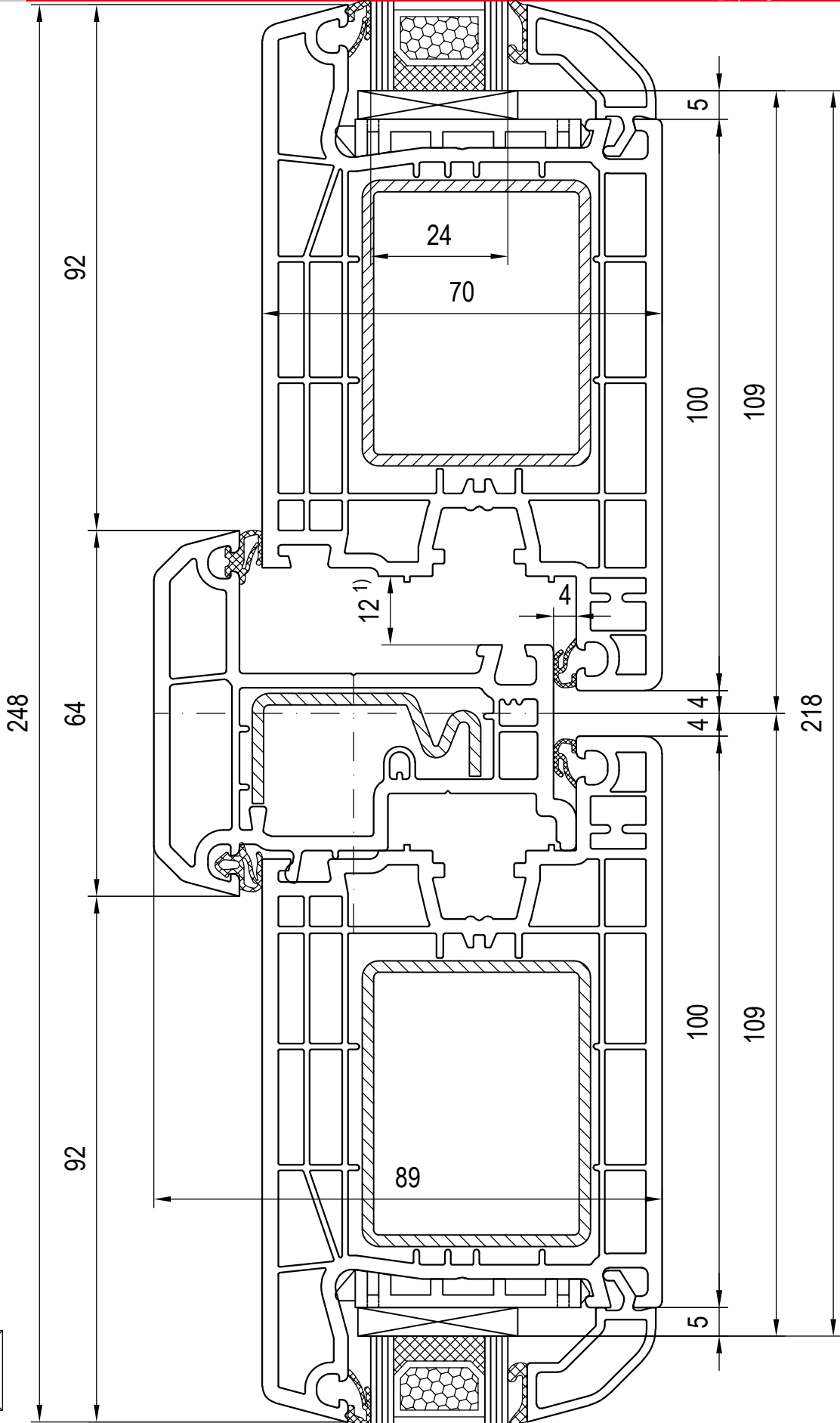
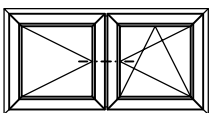
03\_L\_01\_4\*

en May be subject to change and errors excepted!

Combinations: sash - false mullion - sash  
120846/120876 Glazing bead

False mullion 140x67  
Sash 140x31

1) Rebate clearance of main entrance door on left and right side = 13 mm



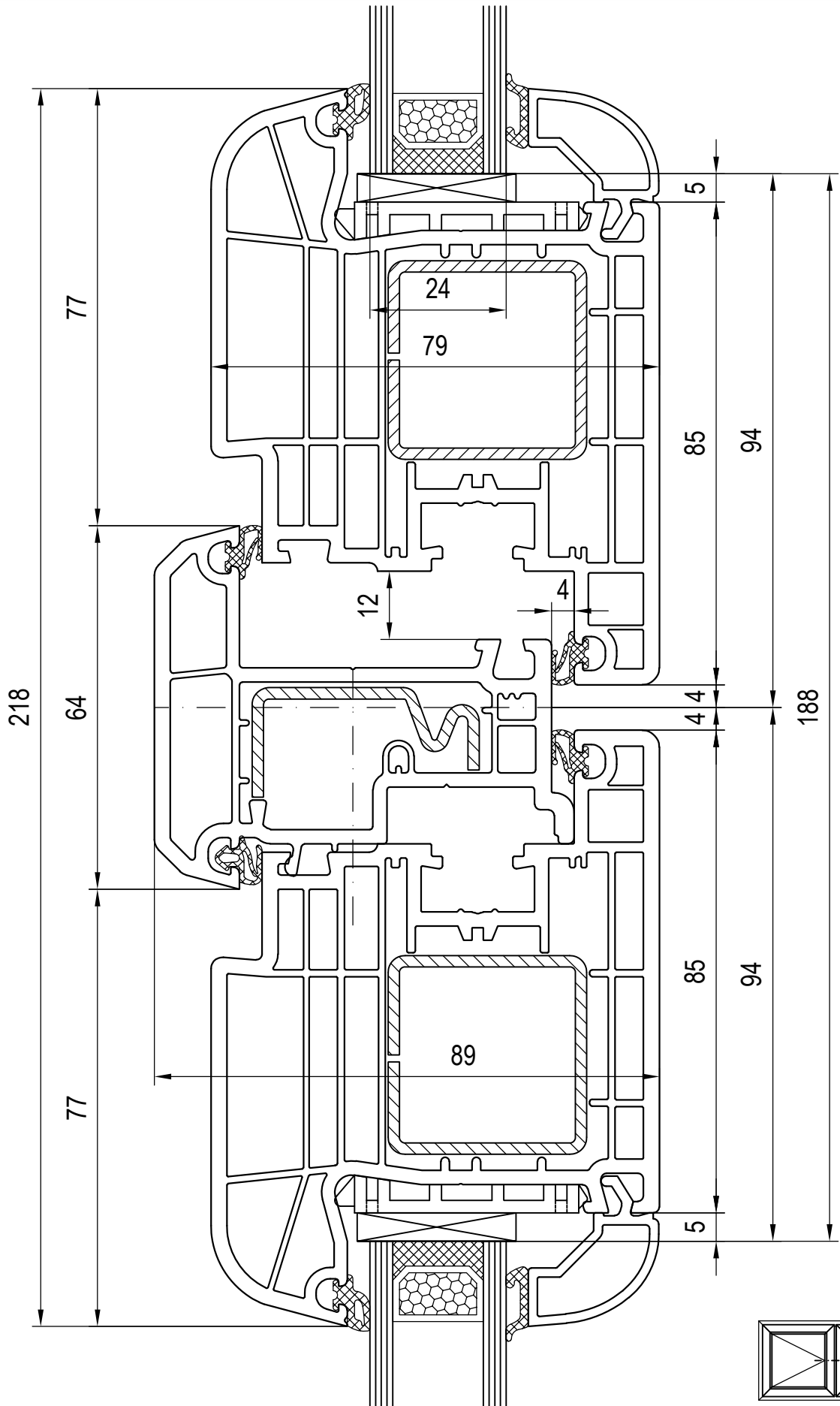
Scale 1:1

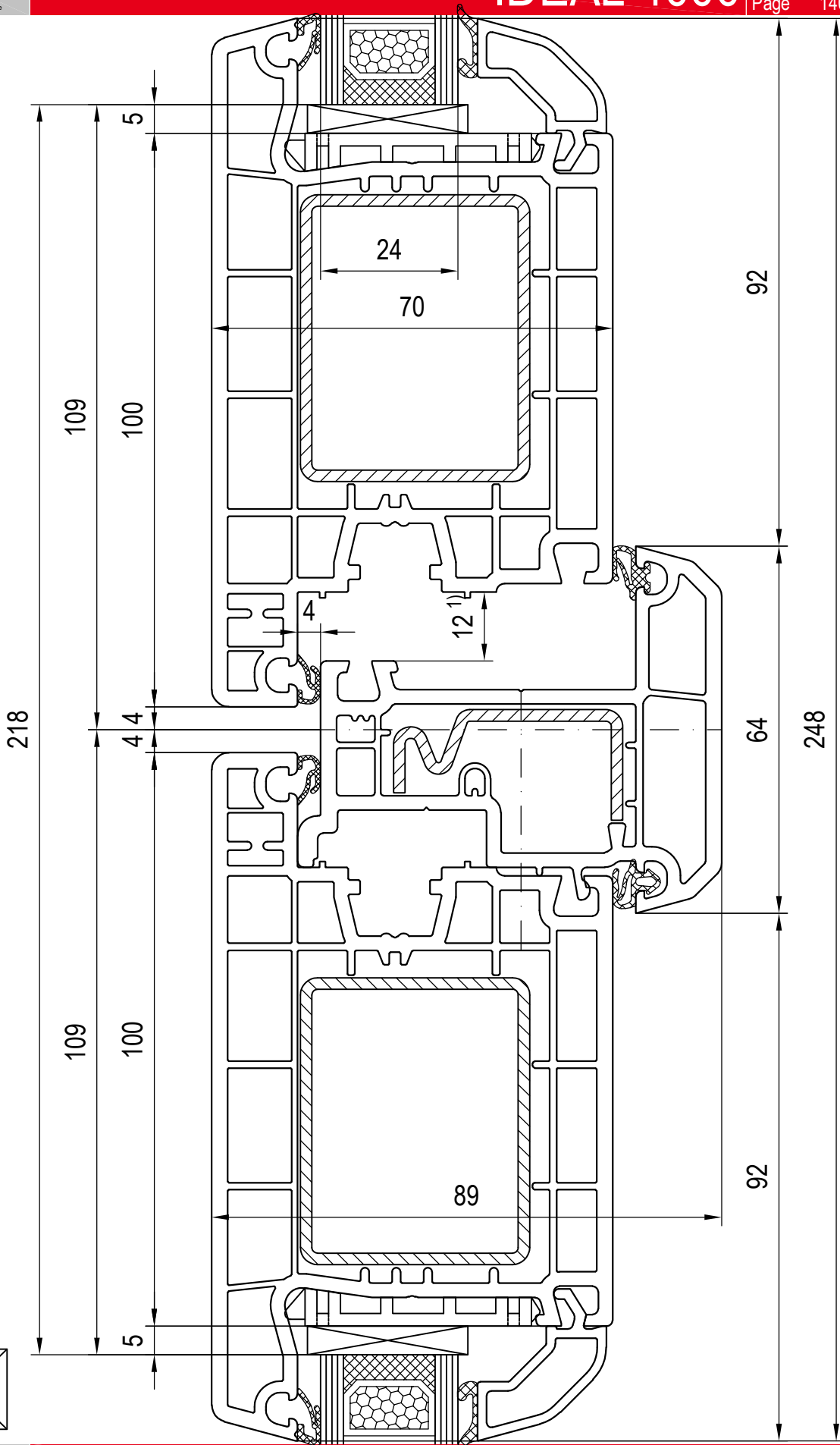
03\_L\_01\_4\*

en May be subject to change and errors excepted!

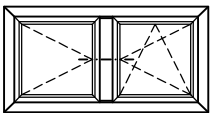
Combinations: sash - false mullion - sash  
120846/120876 Glazing bead

False mullion 140x67  
Sash 140x33





1) Rebate clearance of main entrance door on left and right side = 13 mm



Scale 1:1

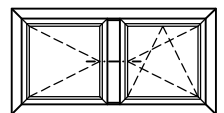
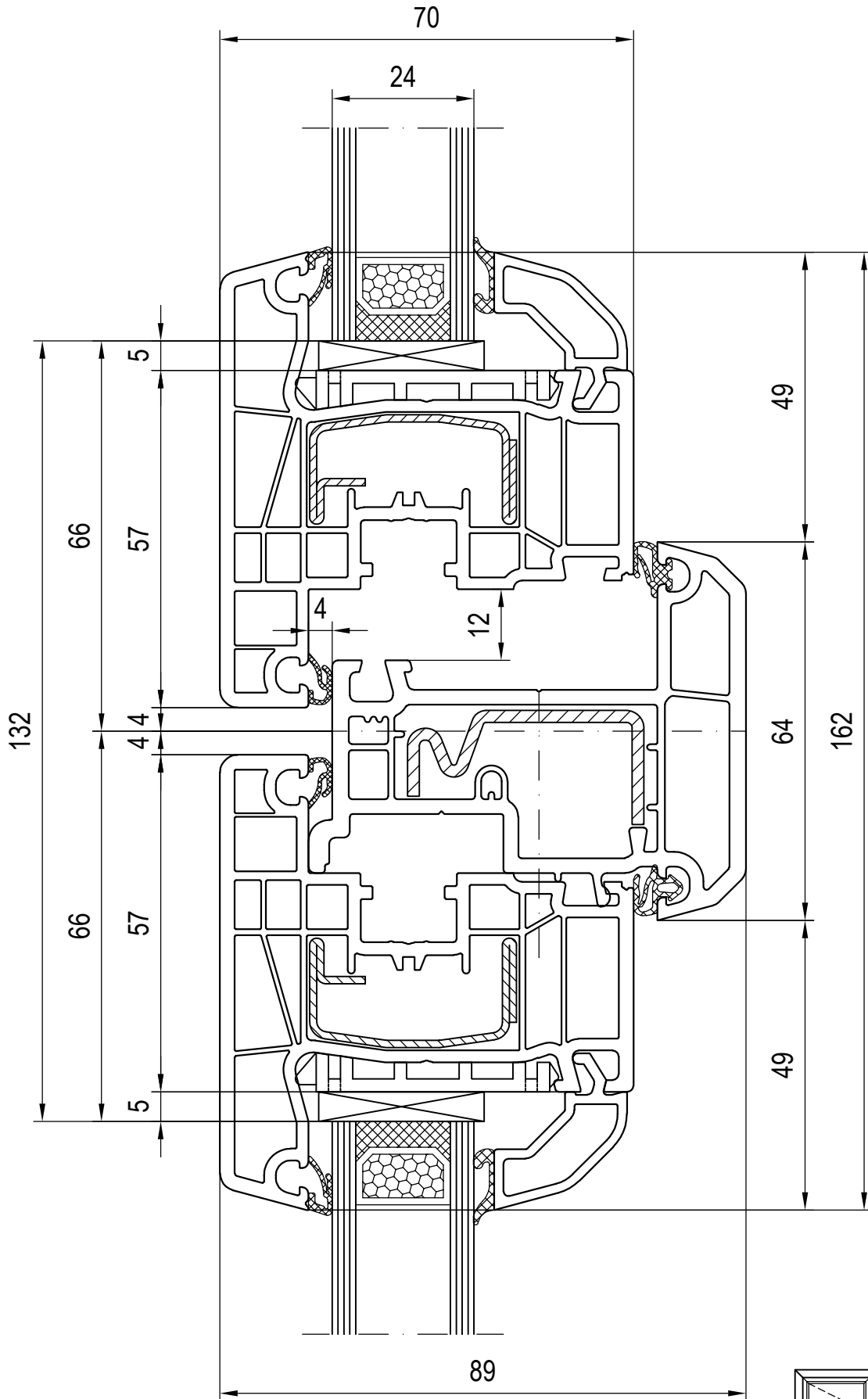
03\_L\_01\_4\*

en May be subject to change and errors excepted!

Combinations: sash - false mullion - sash  
120846/120876 Glazing bead

False mullion 140x67  
Sash 140x35





Scale 1:1

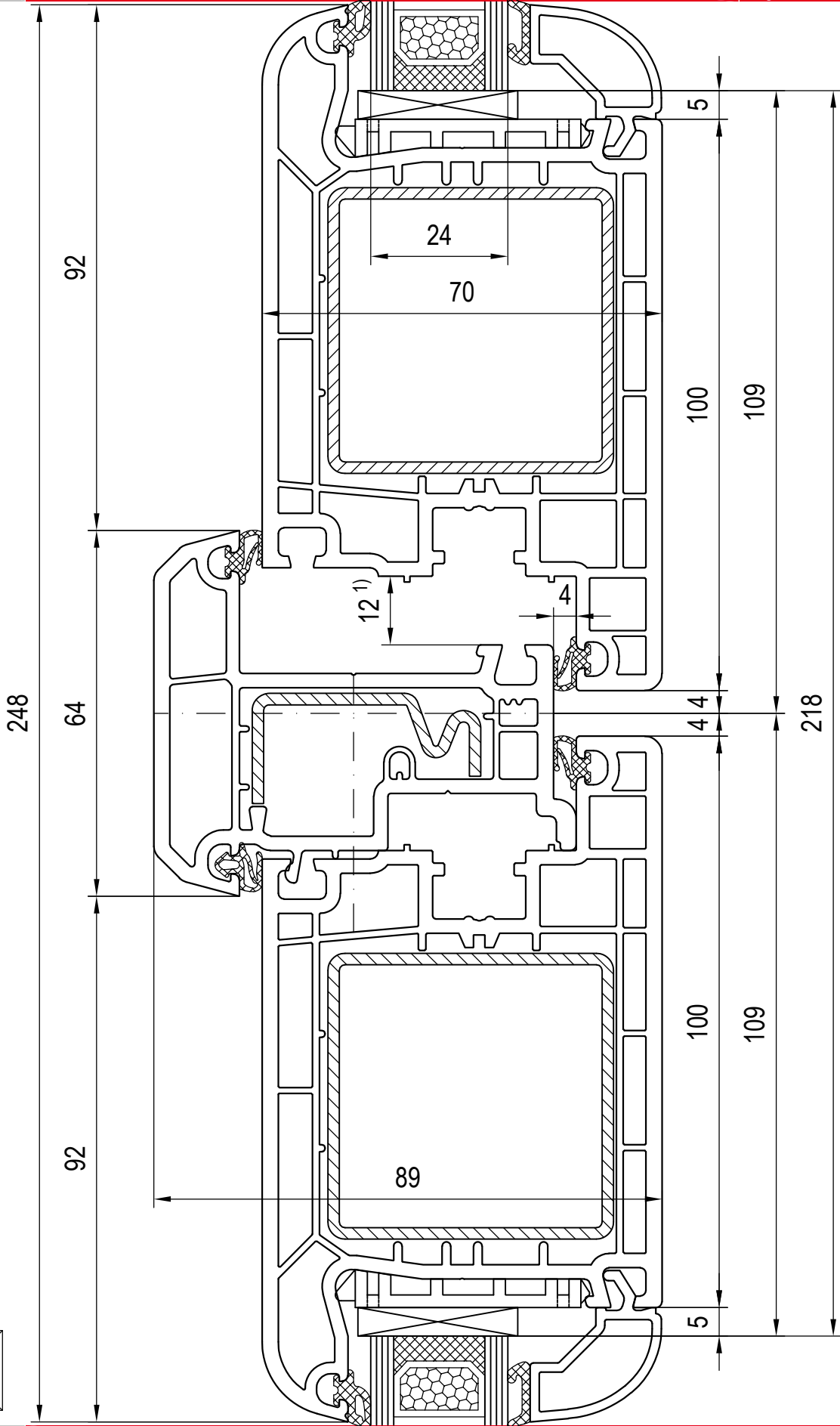
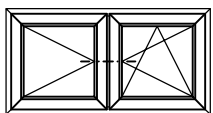
03\_L\_01\_4\*

en May be subject to change and errors excepted!

Combinations: sash - false mullion - sash  
120846/120876 Glazing bead

False mullion 140x67  
Sash 140x37

1) Rebate clearance of main entrance door on left and right side = 13 mm



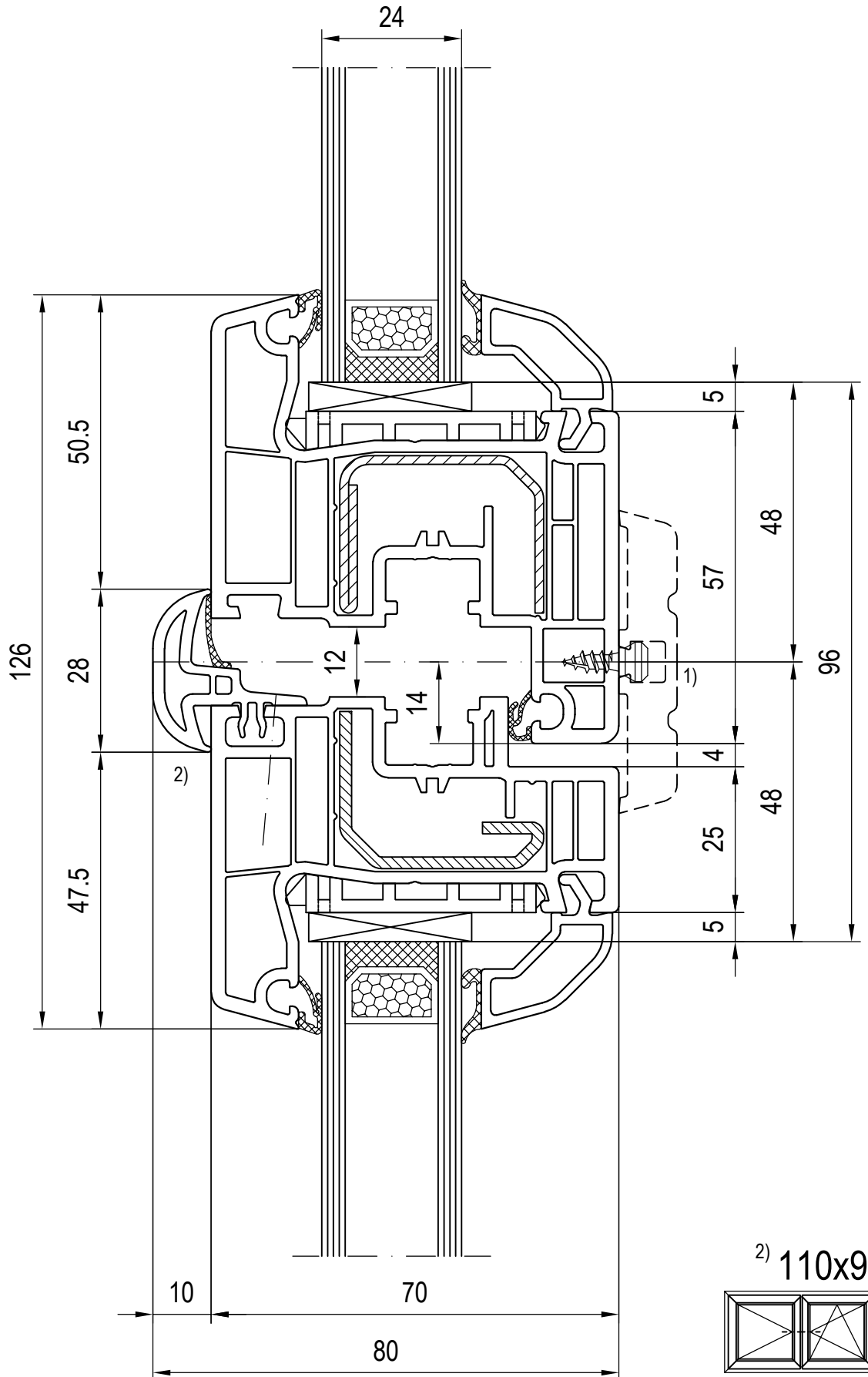
Scale 1:1

03\_L\_01\_4\*

en May be subject to change and errors excepted!

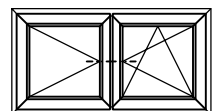
Combinations: sash - false mullion - sash  
120850/120880 Glazing bead

False mullion 140x67  
Sash 140x38



1) Stop bead  
see  
Chapter  
04 P

2) 110x97



Scale 1:1

03\_M\_01\_4\*

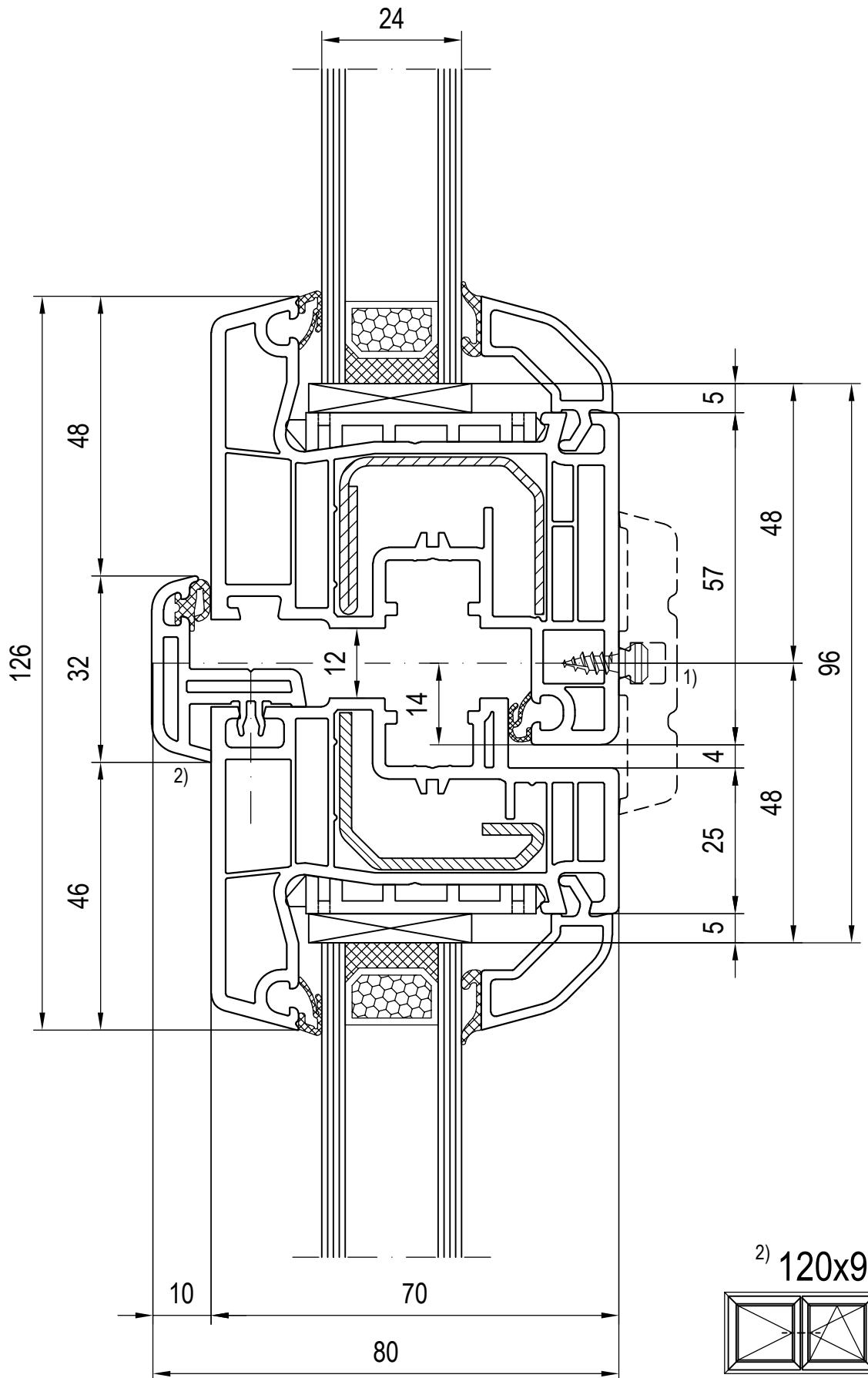
en May be subject to change  
and errors excepted!

Combinations: false mullion sash - sash

120846/120876 Glazing bead

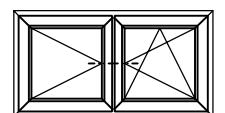
False mullion sash 140x76

Sash 140x20



1) Stop bead  
see  
Chapter  
04 P

2) 120x97



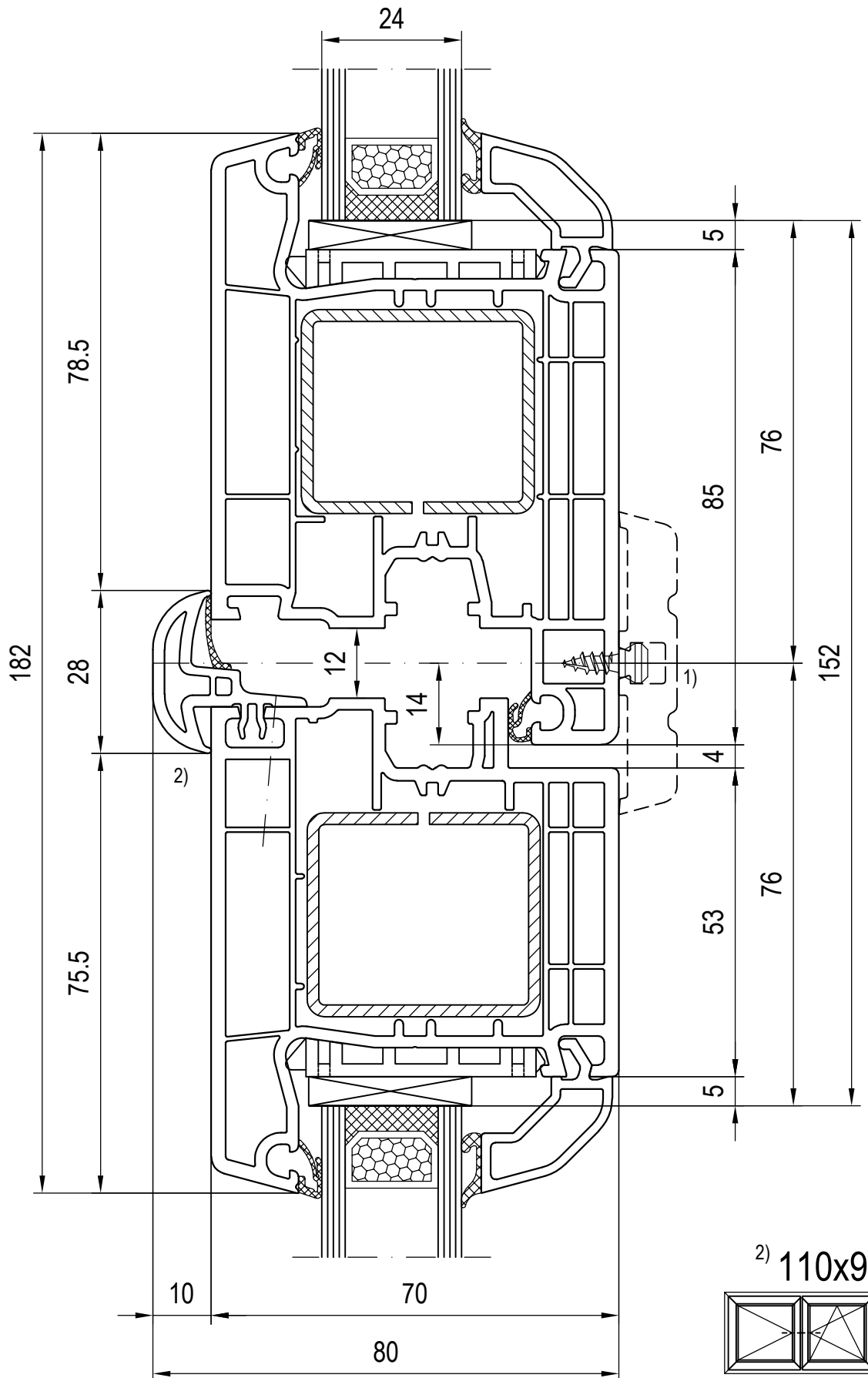
Scale 1:1

03\_M\_01\_4\*

en May be subject to change  
and errors excepted!

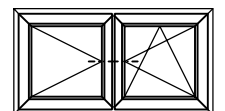
Combinations: false mullion sash - sash  
120846/120876 Glazing bead

False mullion sash 140x76  
Sash 140x20



1) Stop bead  
see  
Chapter  
04 P

2) 110x97



Scale 1:1

03\_M\_01\_4\*

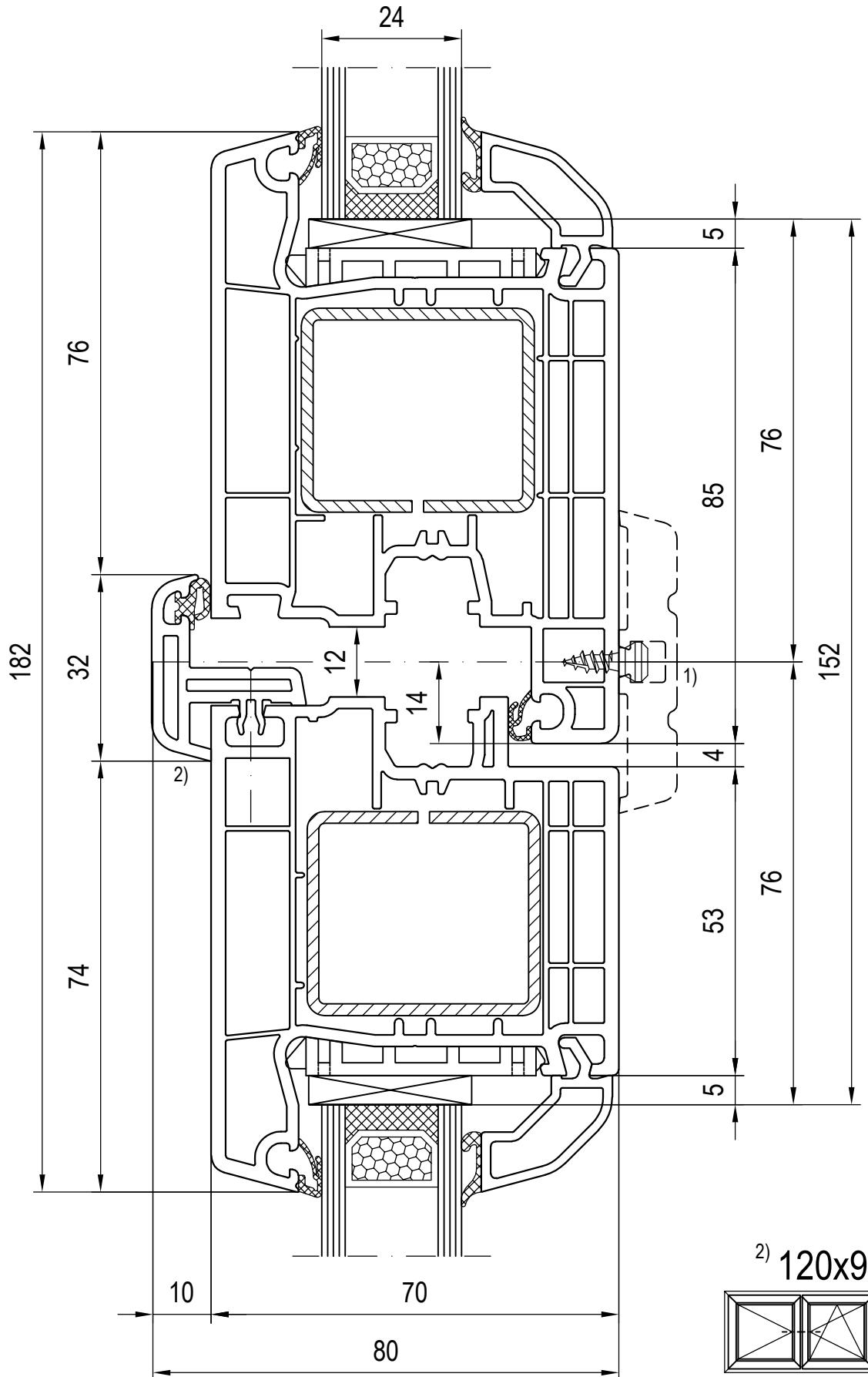
en May be subject to change  
and errors excepted!

Combinations: false mullion sash - sash

120846/120876 Glazing bead

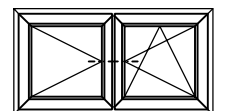
False mullion sash 140x77

Sash 140x30



1) Stop bead  
see  
Chapter  
04 P

2) 120x97



Scale 1:1

03\_M\_01\_4\*

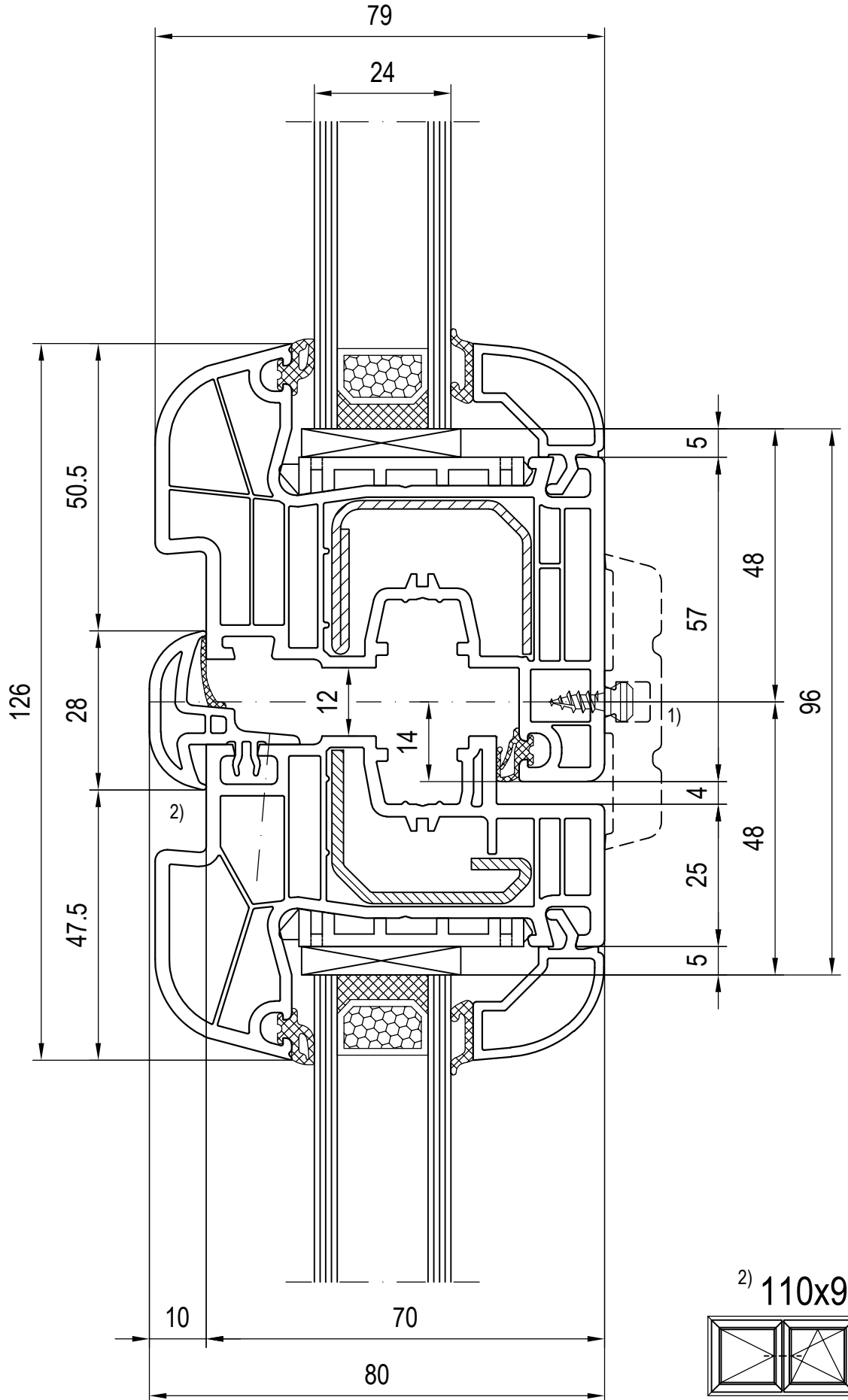
en May be subject to change  
and errors excepted!

Combinations: false mullion sash - sash

120846/120876 Glazing bead

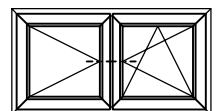
False mullion sash 140x77

Sash 140x30



1) Stop bead  
see  
Chapter  
04 P

2) 110x97



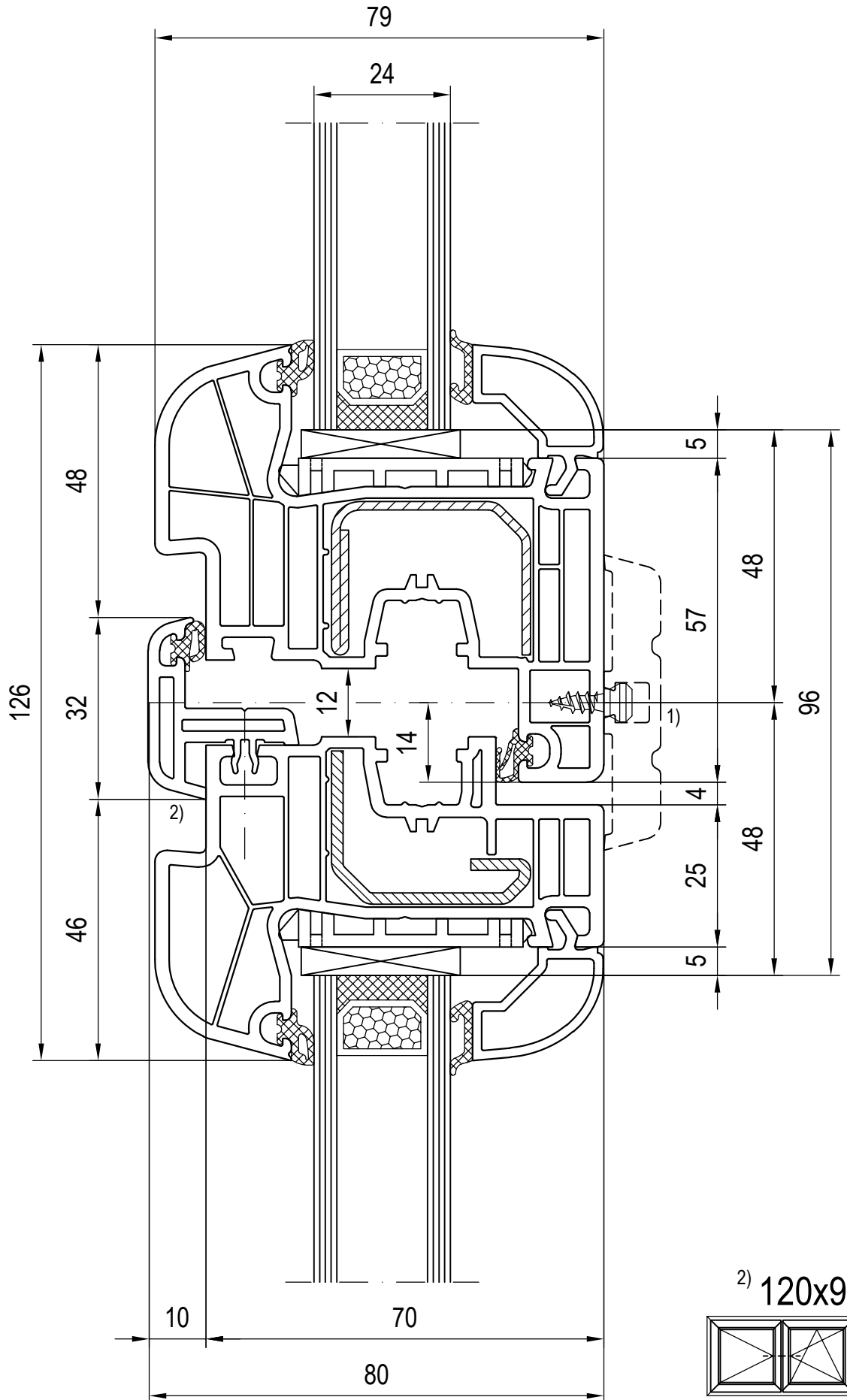
Scale 1:1

03\_M\_01\_4\*

en May be subject to change  
and errors excepted!

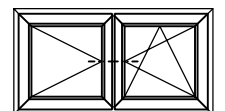
Combinations: false mullion sash - sash  
120850/120880 Glazing bead

False mullion sash 140x82  
Sash 140x22



1) Stop bead  
see  
Chapter  
04 P

2) 120x97



Scale 1:1

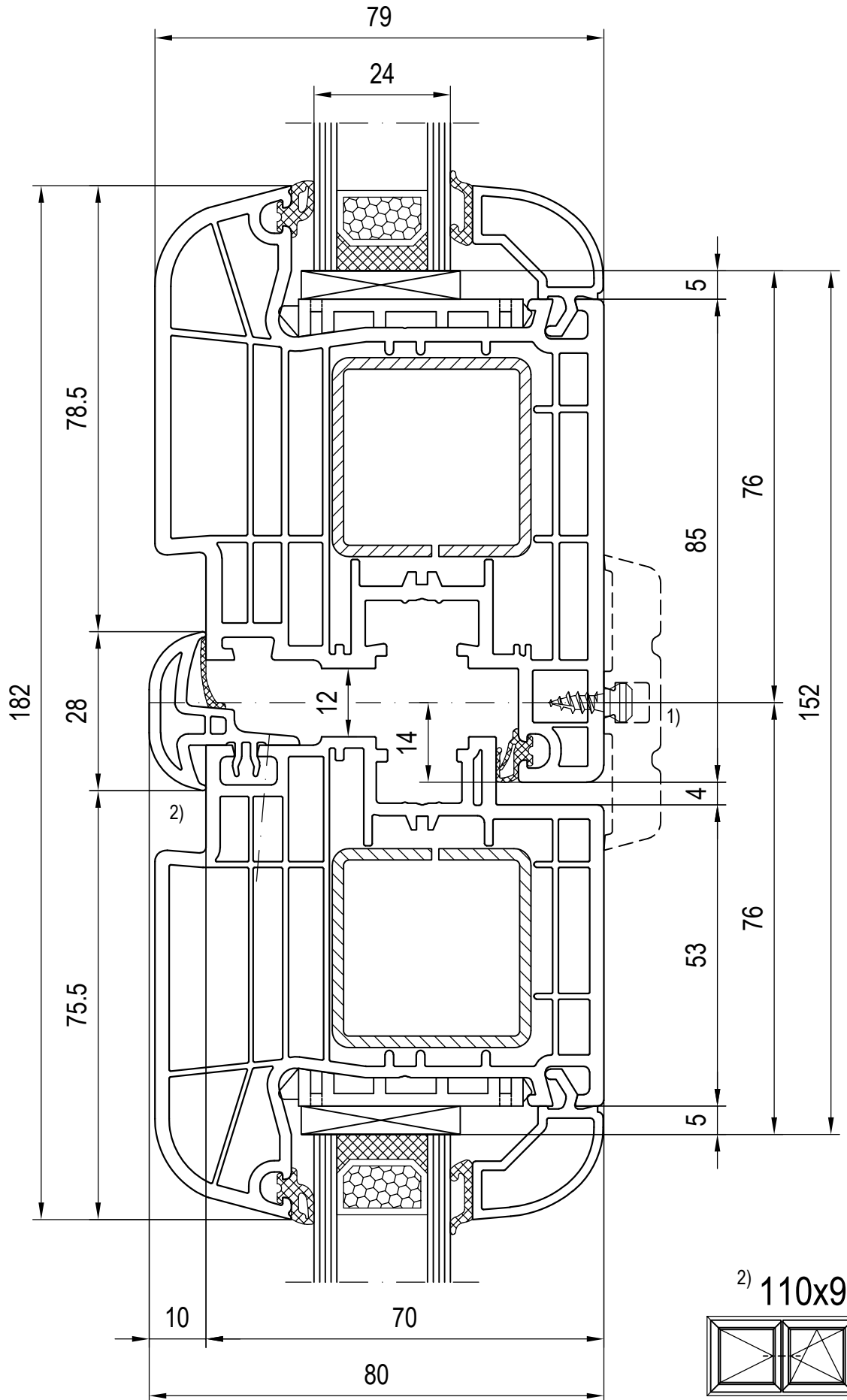
03\_M\_01\_4\*

en May be subject to change  
and errors excepted!

Combinations: false mullion sash - sash  
120850/120880 Glazing bead

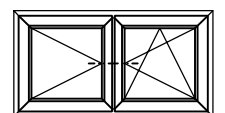
False mullion sash 140x82  
Sash 140x22





1) Stop bead  
see  
Chapter  
04 P

2) 110x97



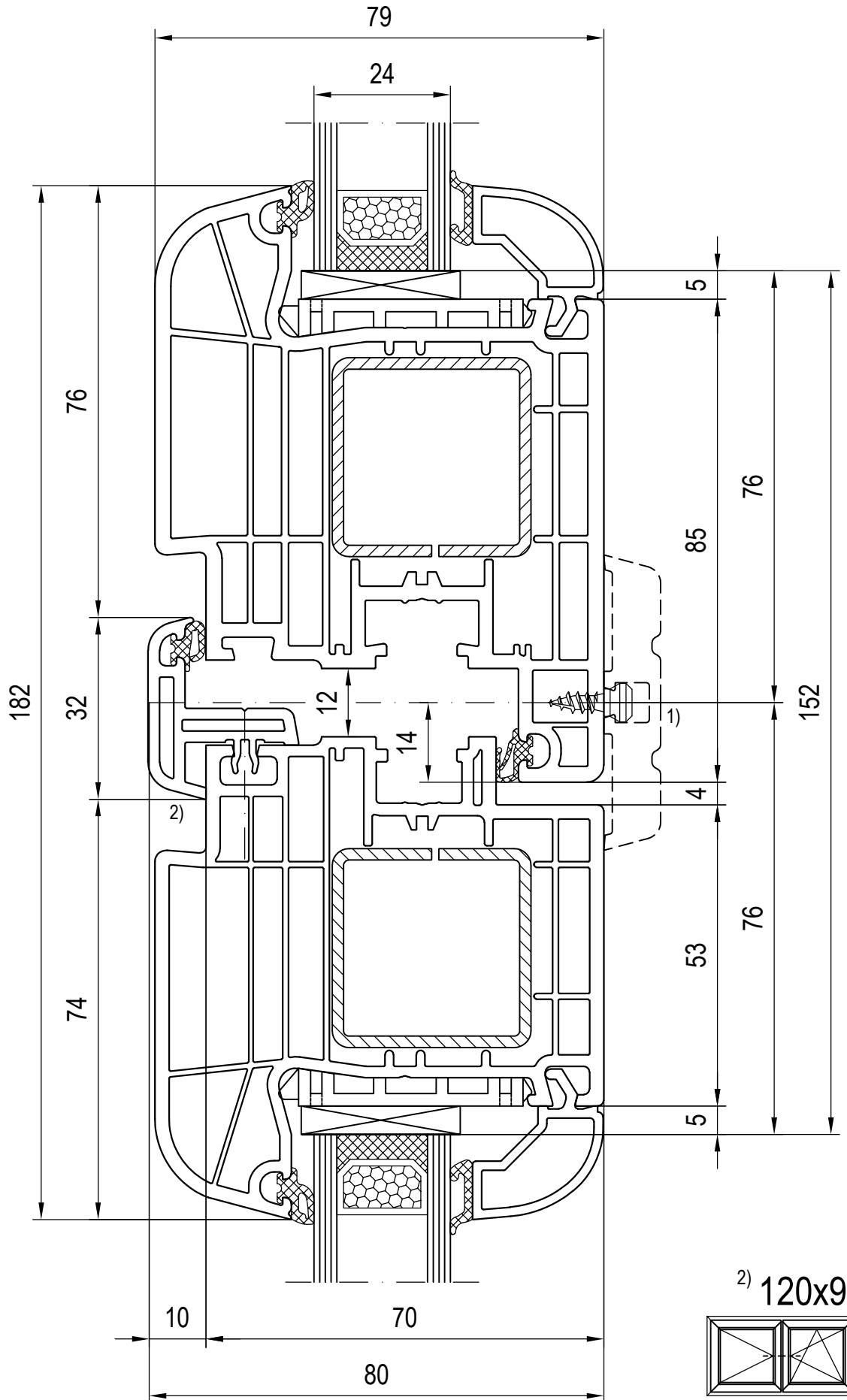
Scale 1:1

03\_M\_01\_4\*

en May be subject to change  
and errors excepted!

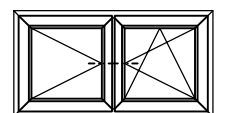
Combinations: false mullion sash - sash  
120850/120880 Glazing bead

False mullion sash 140x84  
Sash 140x34



1) Stop bead  
see  
Chapter  
04 P

2) 120x97



Scale 1:1

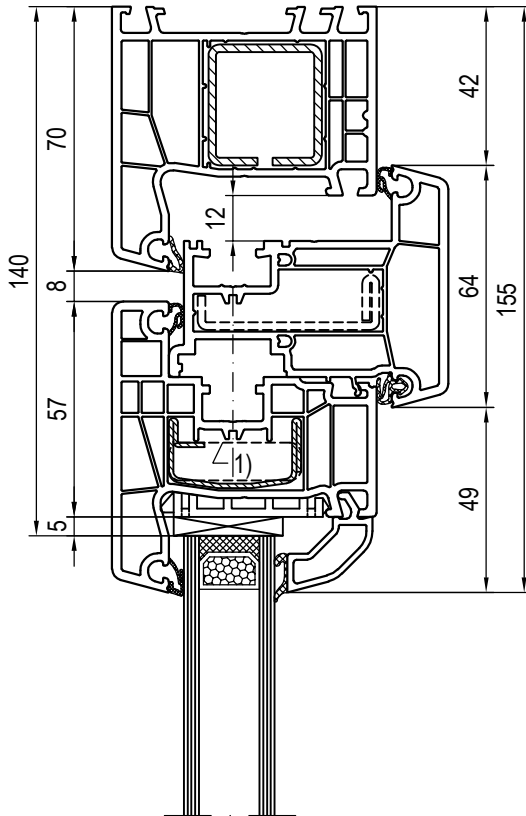
03\_M\_01\_4\*

en May be subject to change  
and errors excepted!

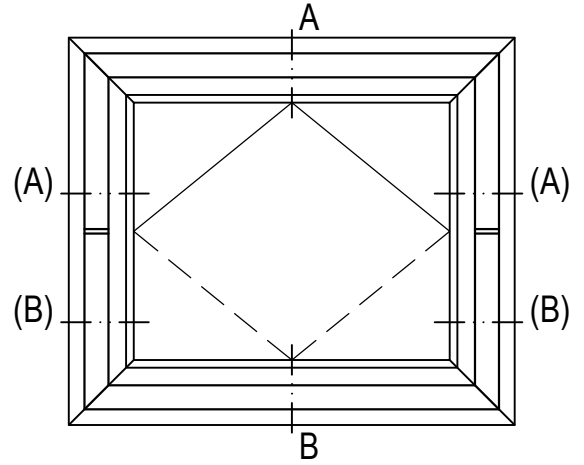
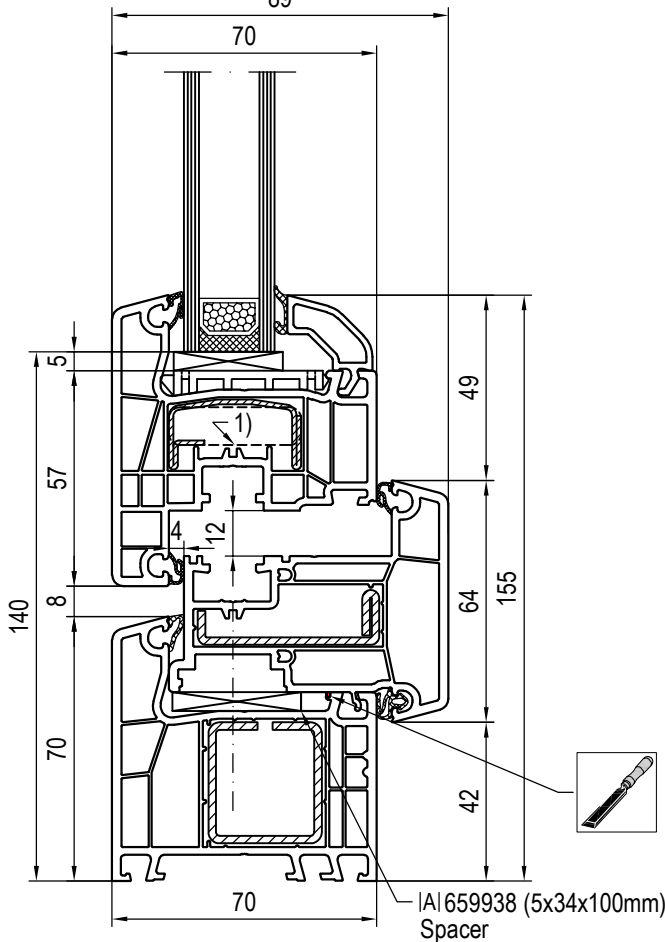
Combinations: false mullion sash - sash  
120850/120880 Glazing bead

False mullion sash 140x84  
Sash 140x34

Section A



Section B



NOTE:

The feasibility of a pivoting window depends on the fittings!

IDEAL 4000:  
Any frame can be used analogously!

Example with:

**Frame 140x07**

**False mullion 140x66**

**Sash 140x37**

1) IFI laterally ->cross section (A) and (B): square steel ~ 35x10mm

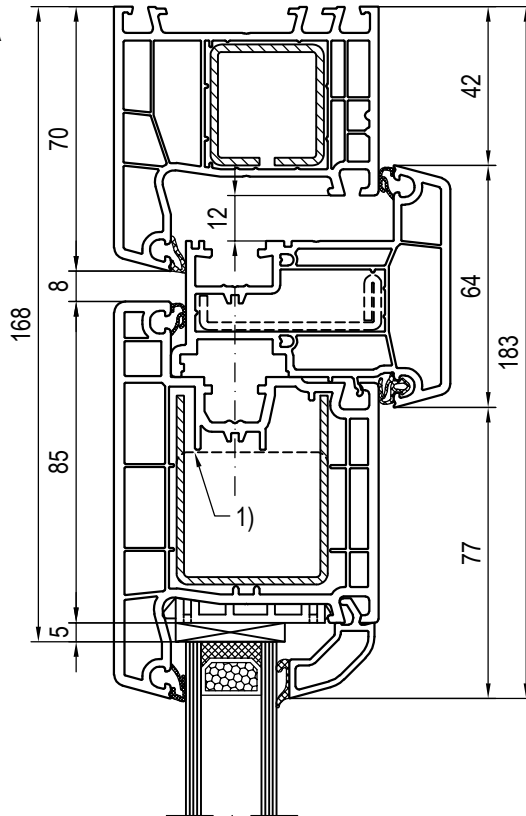
Scale 1:2

03\_Y\_01\_4\*

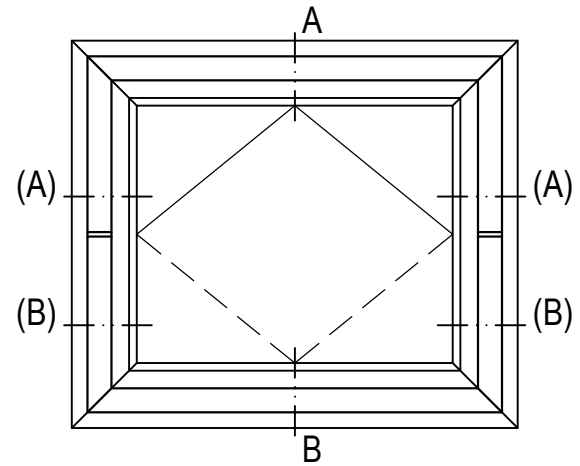
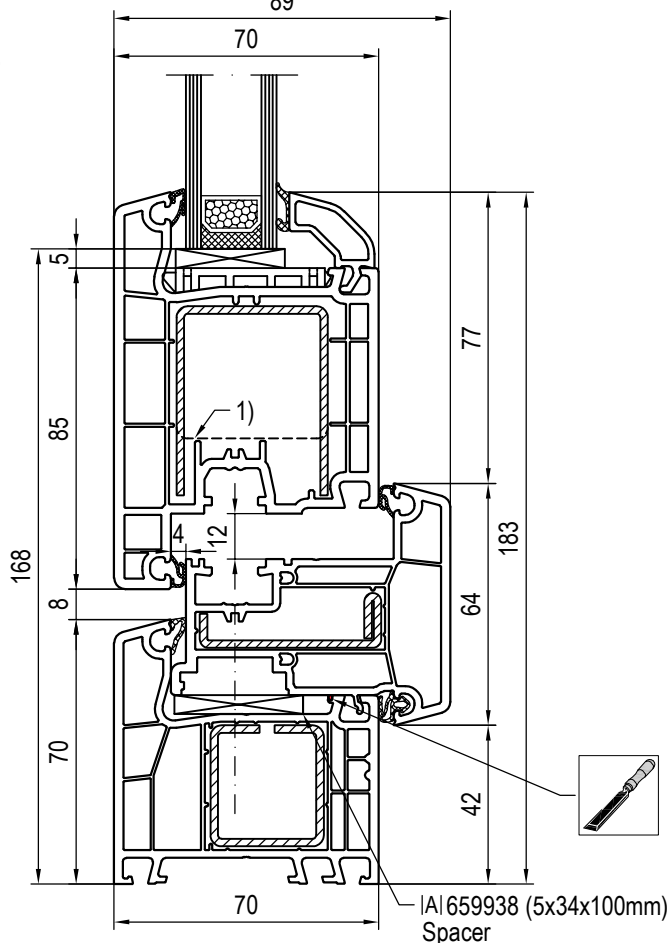
en May be subject to change and errors excepted!

**Combinations: Pivot windows**  
**120846/120876 Glazing bead**

Section A



Section B



NOTE:

The feasibility of a pivoting window depends on the fittings!

IDEAL 4000:  
Any frame can be used analogously!

Example with:

Frame 140x07

False mullion 140x66

Sash 140x31

1) IFI laterally ->cross section (A) and (B): square steel  
~ 40x35mm e.g. 229115

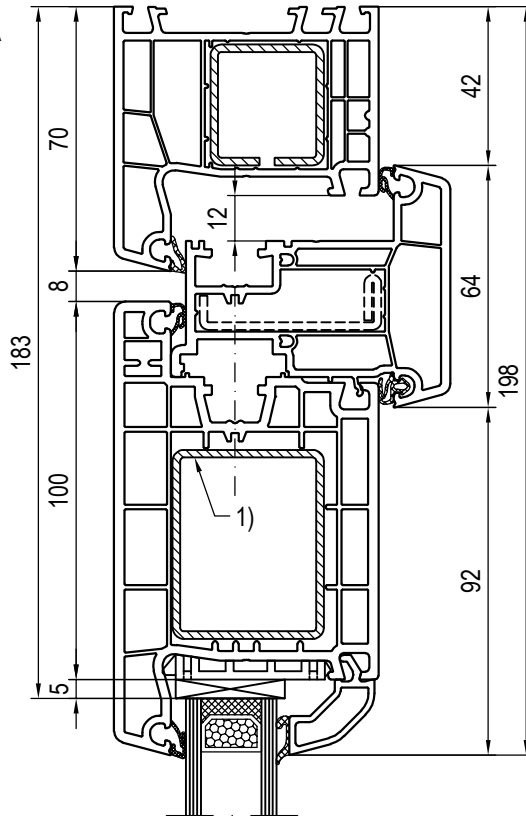
Scale 1:2

03\_Y\_01\_4\*

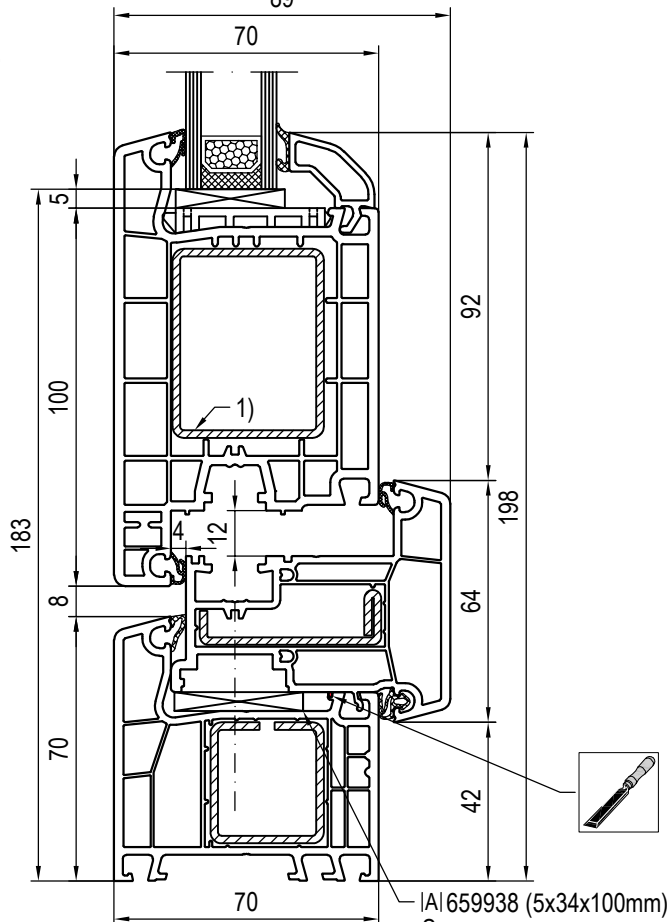
en May be subject to change and errors excepted!

Combinations: Pivot windows  
120846/120876 Glazing bead

Section A



Section B



Al 659938 (5x34x100mm) Spacer

NOTE:

The feasibility of a pivoting window depends on the fittings!

IDEAL 4000:  
Any frame can be used analogously!

Example with:

Frame 140x07

False mullion 140x66

Sash 140x35

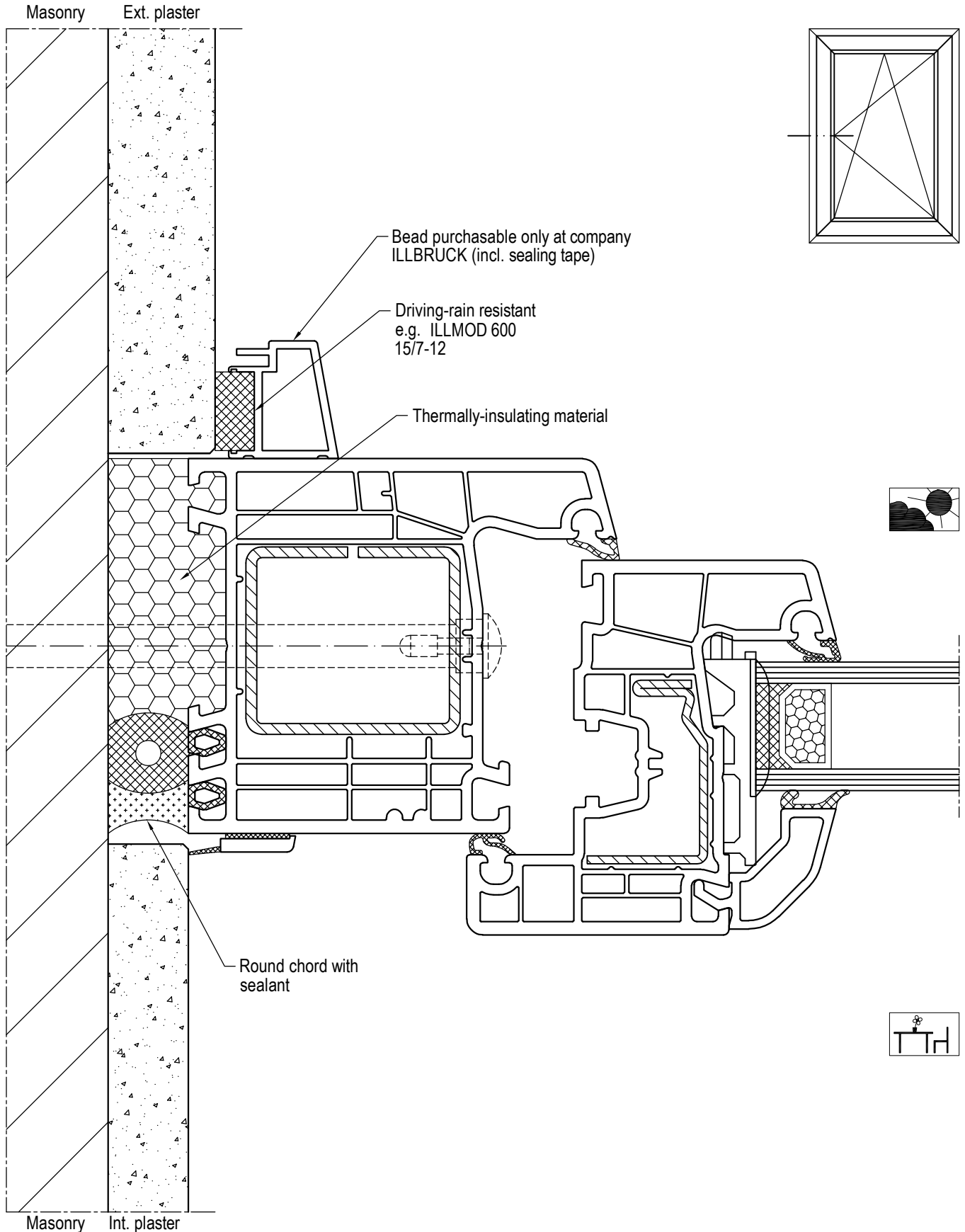
1) IFI at top, bottom -> cross section A and B: countersink square steel or U steel ~ 40x52mm

Scale 1:2

03\_Y\_01\_4\*

en May be subject to change and errors excepted!

Combinations: Pivot windows  
120846/120876 Glazing bead



Attention:  
Basically, the interior connection to the wall structure shall be (vapour diffusion-) tighter than the exterior.  
Inside: vapour barrier (vapour shall diffuse to the exterior) / airtight  
Outside: driving rain resistant and vapour permeable (to the exterior)  
Installation according to state of the art.  
Respect gasket manufacturer's guidelines!

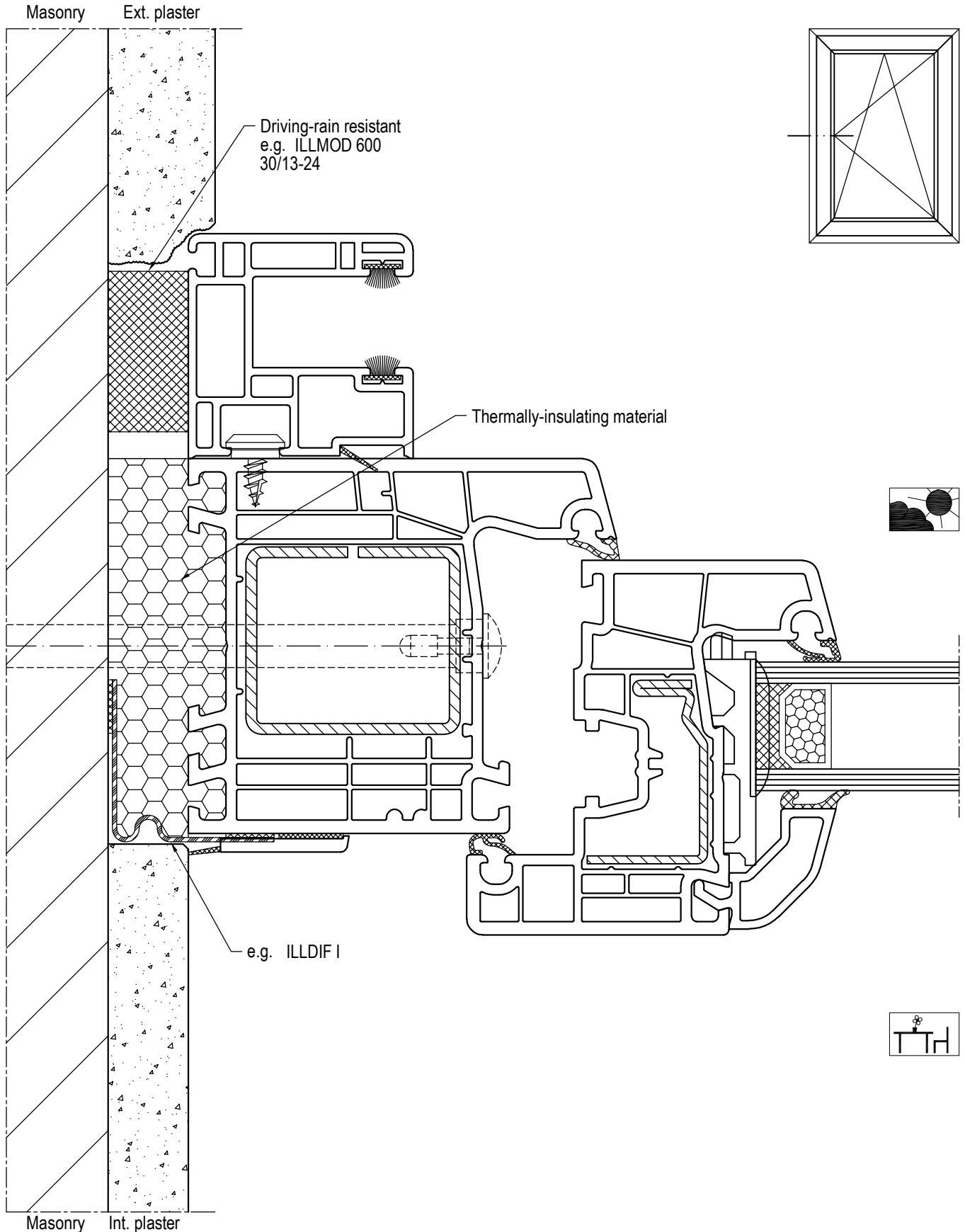
Scale 1:1

03\_Z\_01\_4\*

en May be subject to change and errors excepted!

**Combinations:**

**Examples for the Connection to the Wall without stop**



Attention:  
Basically, the interior connection to the wall structure shall be (vapour diffusion-) tighter than the exterior.  
Inside: vapour barrier (vapour shall diffuse to the exterior) / airtight  
Outside: driving rain resistant and vapour permeable (to the exterior)  
Installation according to state of the art.  
Respect gasket manufacturer's guidelines!

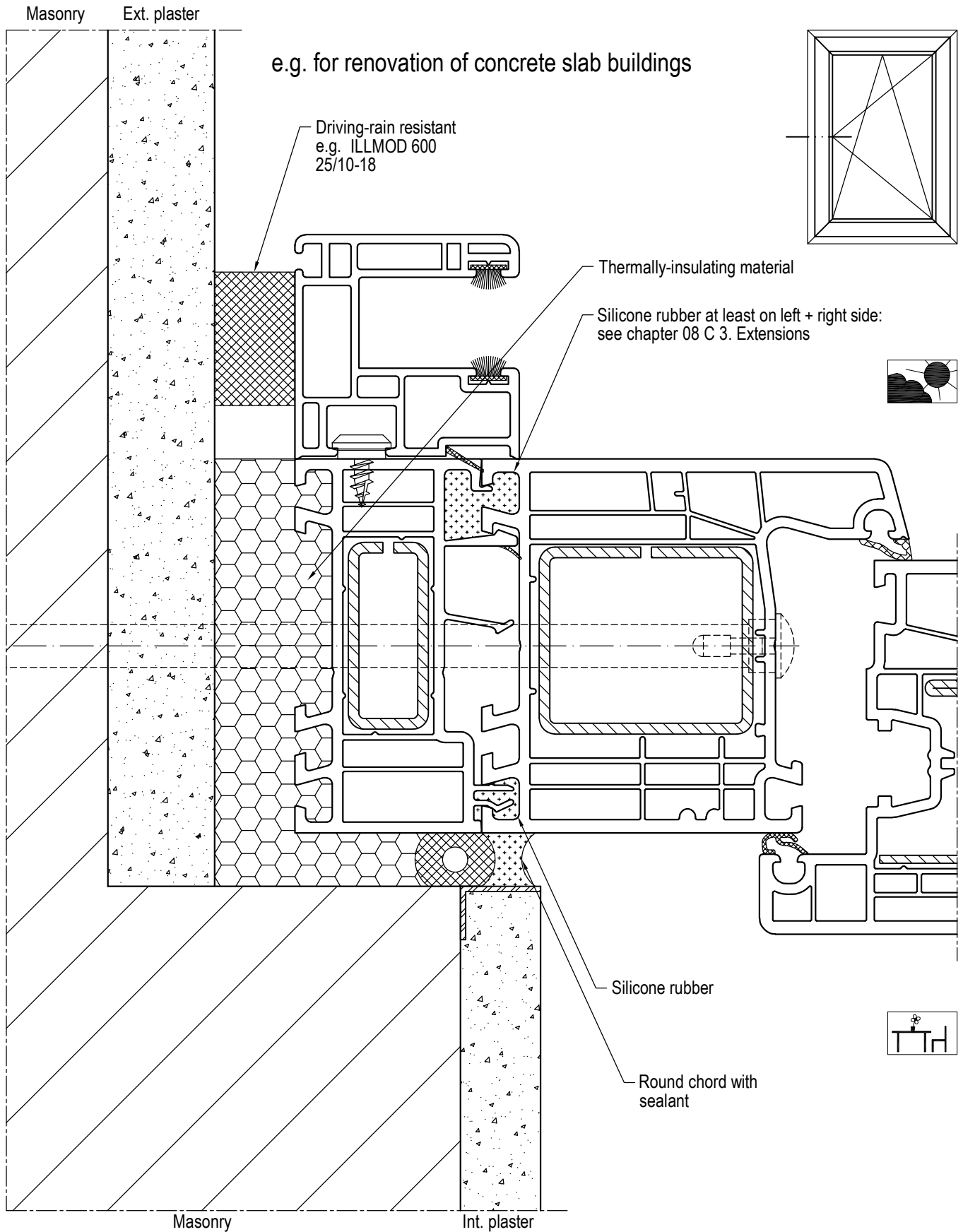
Scale 1:1

03\_Z\_01\_4\*

en May be subject to change  
and errors excepted!

Combinations:

Examples for the Connection to the Wall  
without stop



Attention:  
Basically, the interior connection to the wall structure shall be (vapour diffusion-) tighter than the exterior.  
Inside: vapour barrier (vapour shall diffuse to the exterior) / airtight  
Outside: driving rain resistant and vapour permeable (to the exterior)  
Installation according to state of the art.  
Respect gasket manufacturer's guidelines!

Scale 1:1

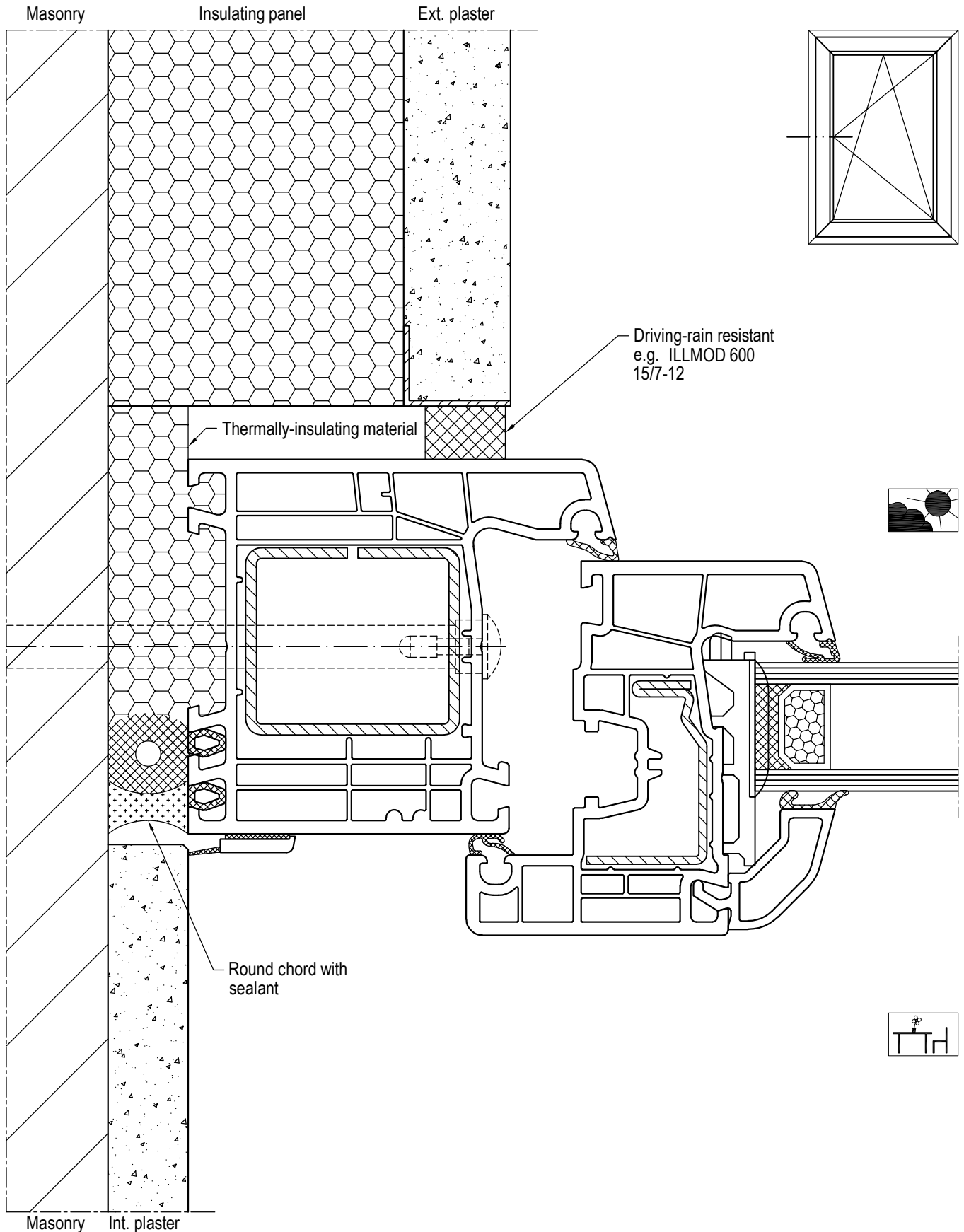
03\_Z\_01\_4\*

en May be subject to change  
and errors excepted!

Combinations:

Examples for the Connection to the Wall  
exterior stop





Attention:  
Basically, the interior connection to the wall structure shall be (vapour diffusion-) tighter than the exterior.  
Inside: vapour barrier (vapour shall diffuse to the exterior) / airtight  
Outside: driving rain resistant and vapour permeable (to the exterior)  
Installation according to state of the art.  
Respect gasket manufacturer's guidelines!

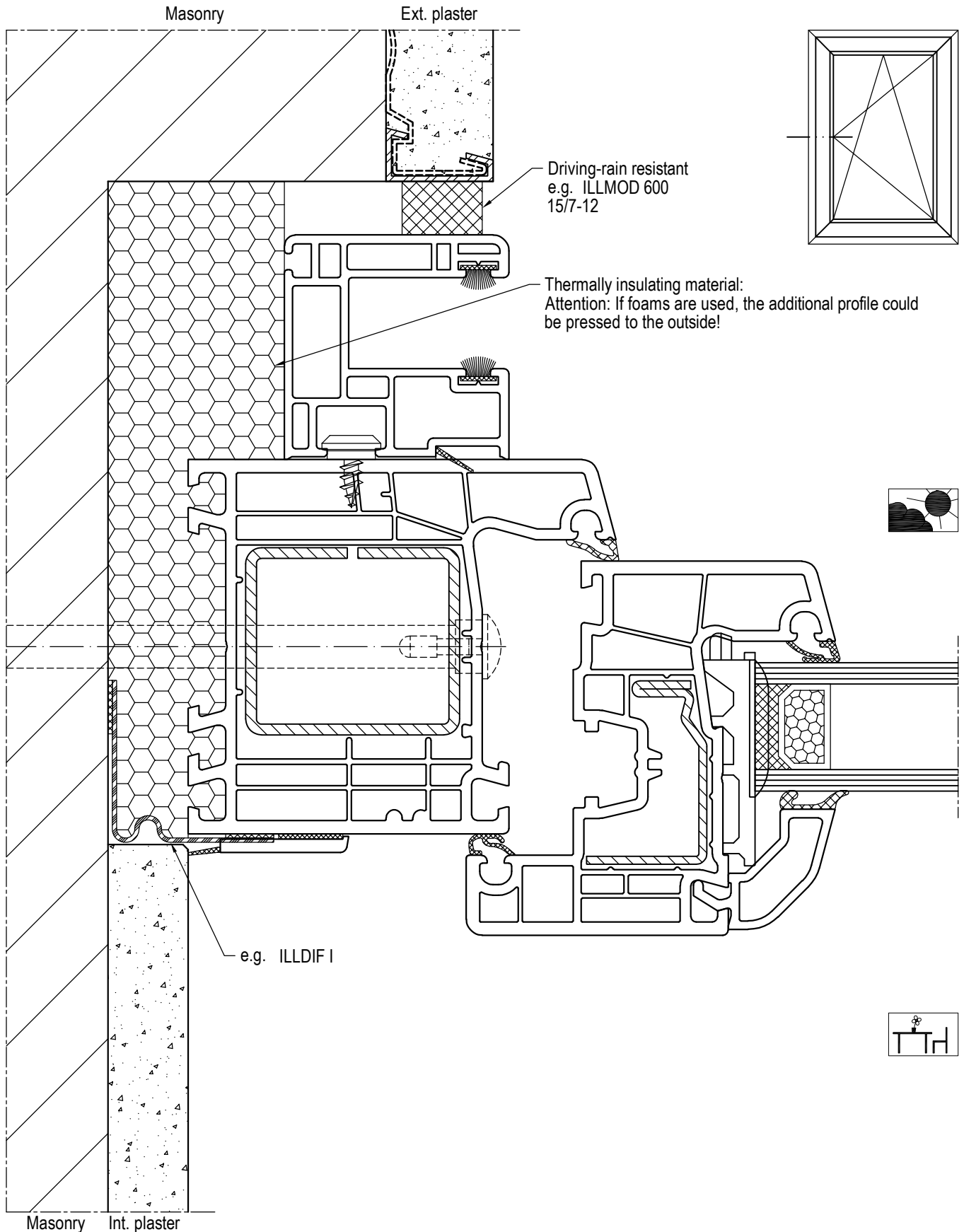
Scale 1:1

03\_Z\_01\_4\*

en May be subject to change  
and errors excepted!

**Combinations:**

**Examples for the Connection to the Wall  
interior stop**



Attention:  
Basically, the interior connection to the wall structure shall be (vapour diffusion-) tighter than the exterior.  
Inside: vapour barrier (vapour shall diffuse to the exterior) / airtight  
Outside: driving rain resistant and vapour permeable (to the exterior)  
Installation according to state of the art.  
Respect gasket manufacturer's guidelines!

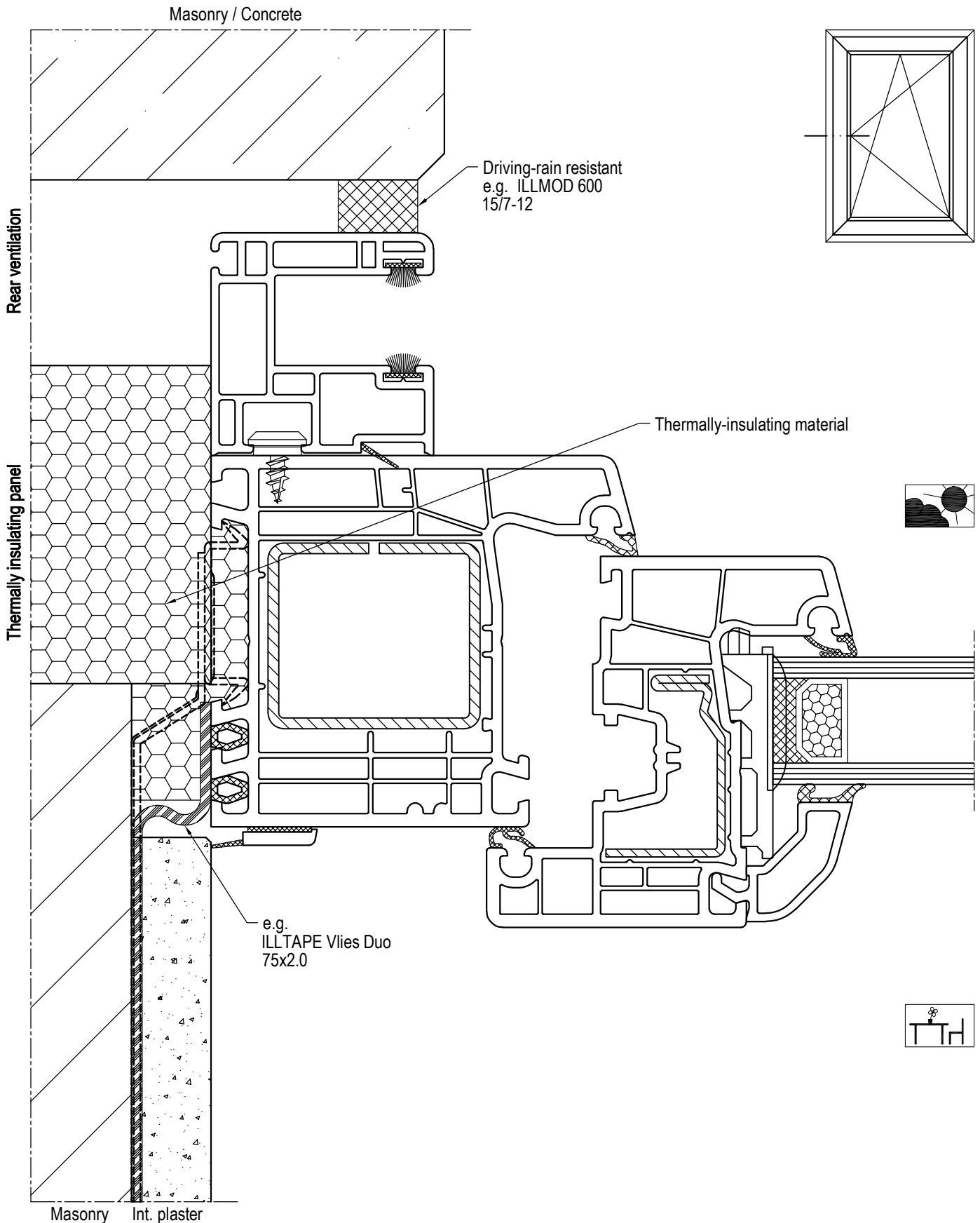
Scale 1:1

03\_Z\_01\_4\*

en May be subject to change and errors excepted!

**Combinations:**

**Examples for the Connection to the Wall  
interior stop**



Attention:  
Basically, the interior connection to the wall structure shall be (vapour diffusion-) tighter than the exterior.  
Inside: vapour barrier (vapour shall diffuse to the exterior) / airtight  
Outside: driving rain resistant and vapour permeable (to the exterior)  
Installation according to state of the art.  
Respect gasket manufacturer's guidelines!

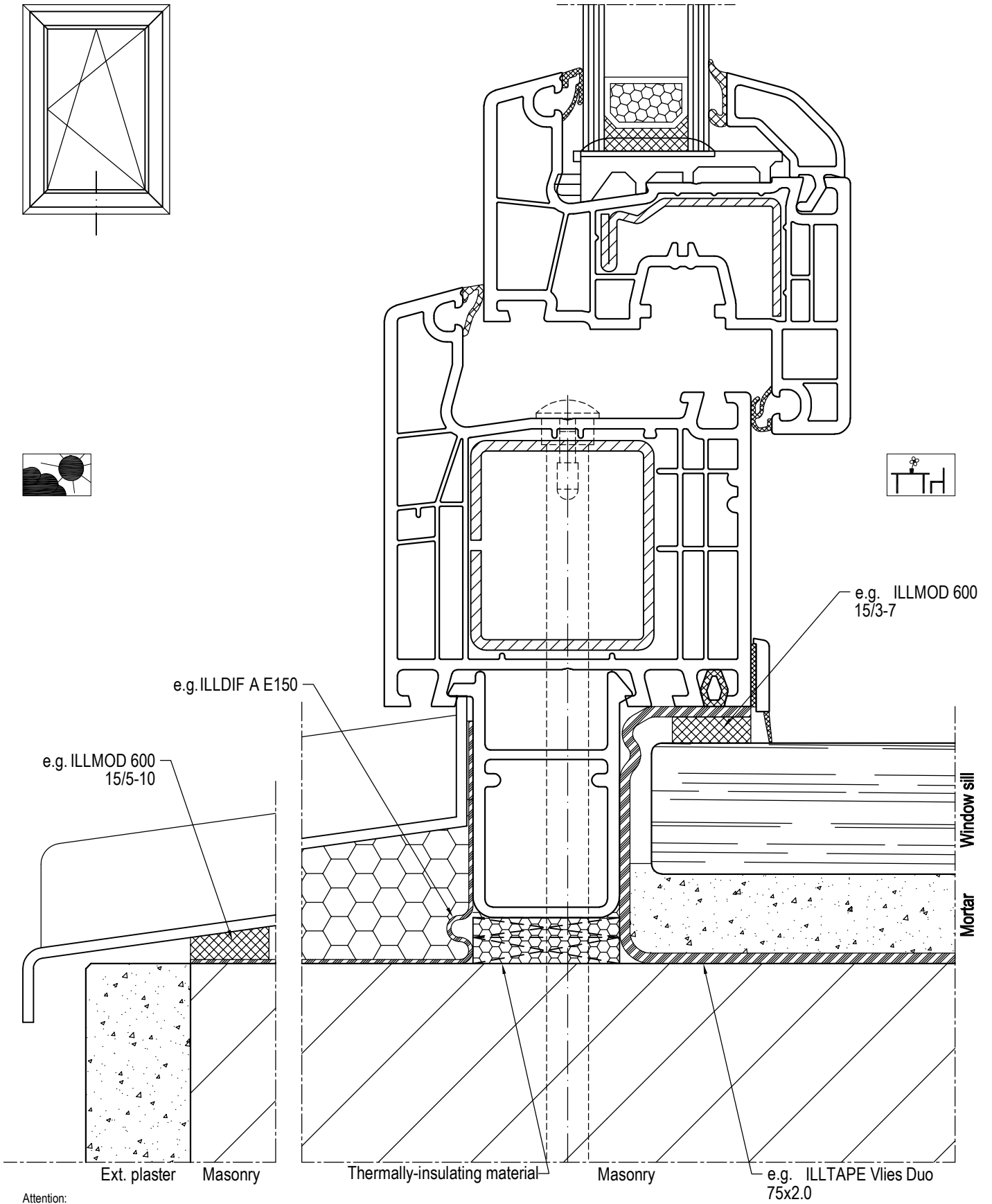
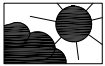
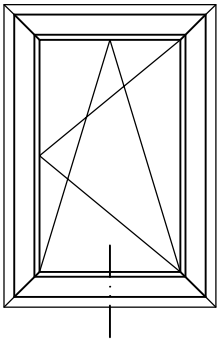
Scale 1:1

03\_Z\_01\_4\*

en May be subject to change and errors excepted!

**Combinations:**

**Examples for the Connection to the Wall interior stop**



Attention:  
Basically, the interior connection to the wall structure shall be (vapour diffusion-) tighter than the exterior.  
Inside: vapour barrier (vapour shall diffuse to the exterior) / airtight  
Outside: driving rain resistant and vapour permeable (to the exterior)  
Installation according to state of the art.  
Respect gasket manufacturer's guidelines!

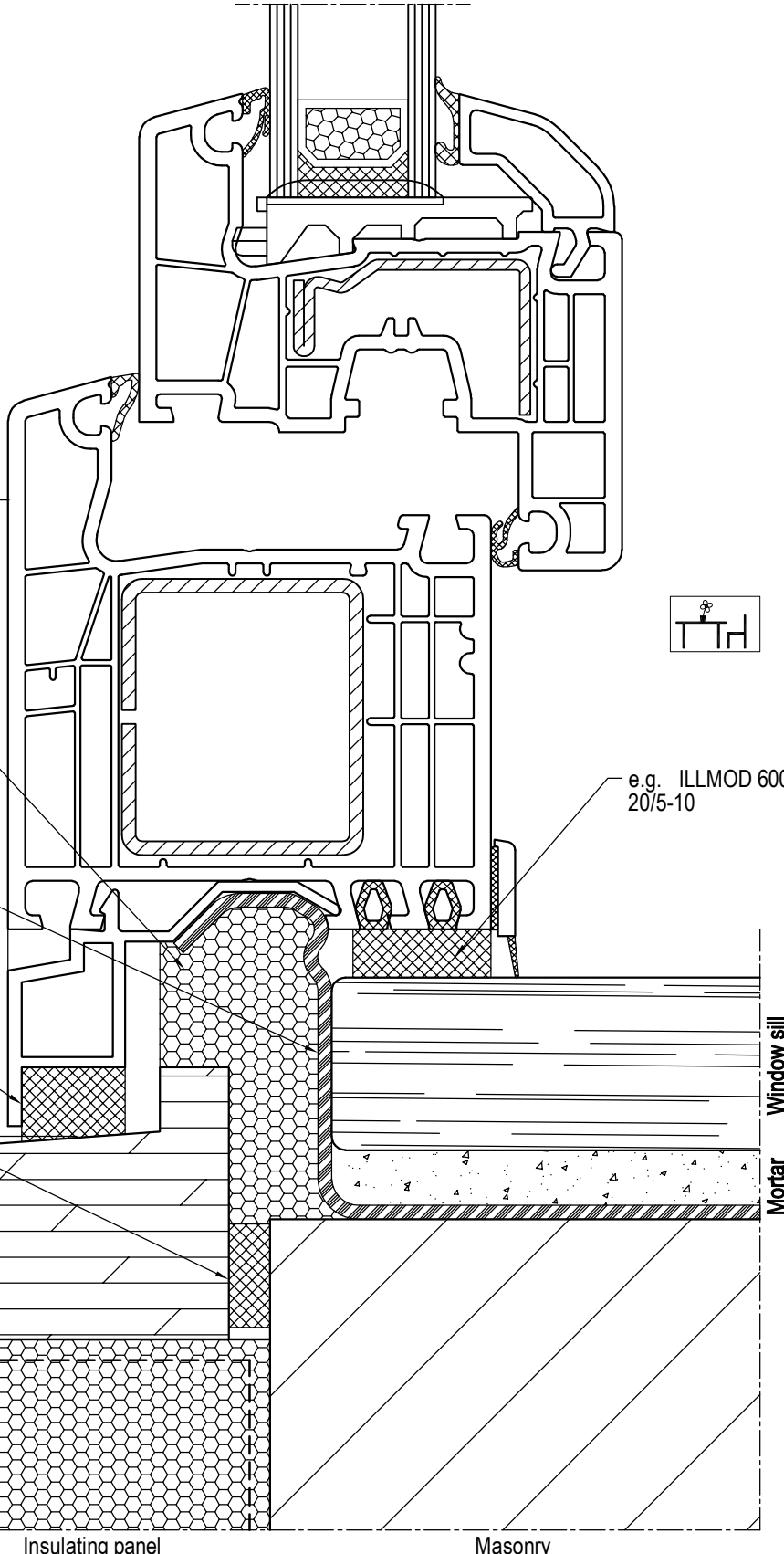
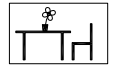
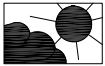
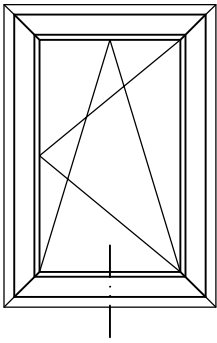
Scale 1:1

03\_Z\_01\_4\*

en May be subject to change and errors excepted!

**Combinations:**

**Examples for the Connection to the Wall  
bottom connection**



Masonry / Concrete

Rear ventilation

Insulating panel

Masonry

Attention:  
Basically, the interior connection to the wall structure shall be (vapour diffusion-) tighter than the exterior.  
Inside: vapour barrier (vapour shall diffuse to the exterior) / airtight  
Outside: driving rain resistant and vapour permeable (to the exterior)  
Installation according to state of the art.  
Respect gasket manufacturer's guidelines!

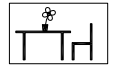
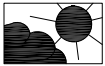
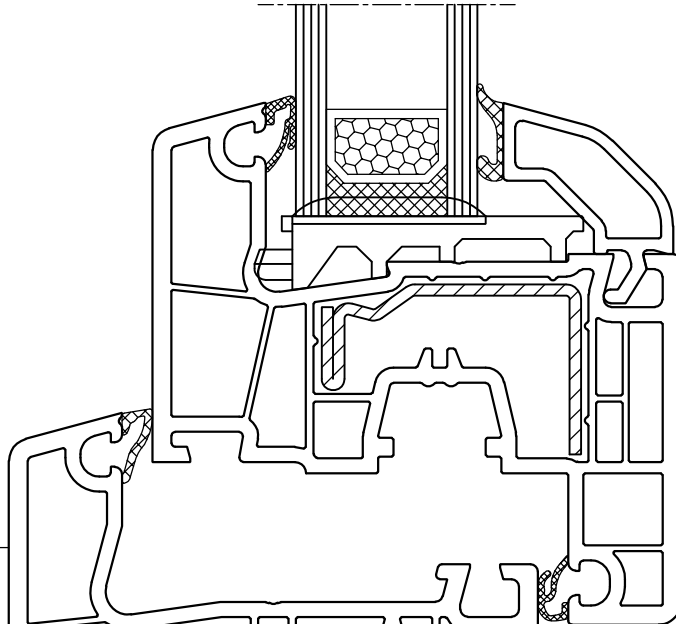
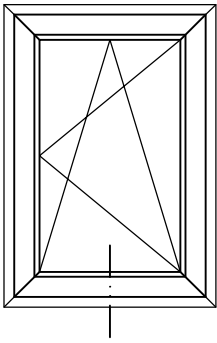
Scale 1:1

03\_Z\_01\_4\*

en May be subject to change and errors excepted!

Combinations:

Examples for the Connection to the Wall  
bottom connection



Thermally insulating material:  
Attention: If foams are used, the additional profile could be pressed to the outside!

e.g. ILLMOD 600  
15/5-10

e.g. ILLMOD 600  
15/5-10

Round chord with sealant

Stone sill

Mortar

Mortar Tiles

Masonry

Attention:  
Basically, the interior connection to the wall structure shall be (vapour diffusion-) tighter than the exterior.  
Inside: vapour barrier (vapour shall diffuse to the exterior) / airtight  
Outside: driving rain resistant and vapour permeable (to the exterior)  
Installation according to state of the art.  
Respect gasket manufacturer's guidelines!

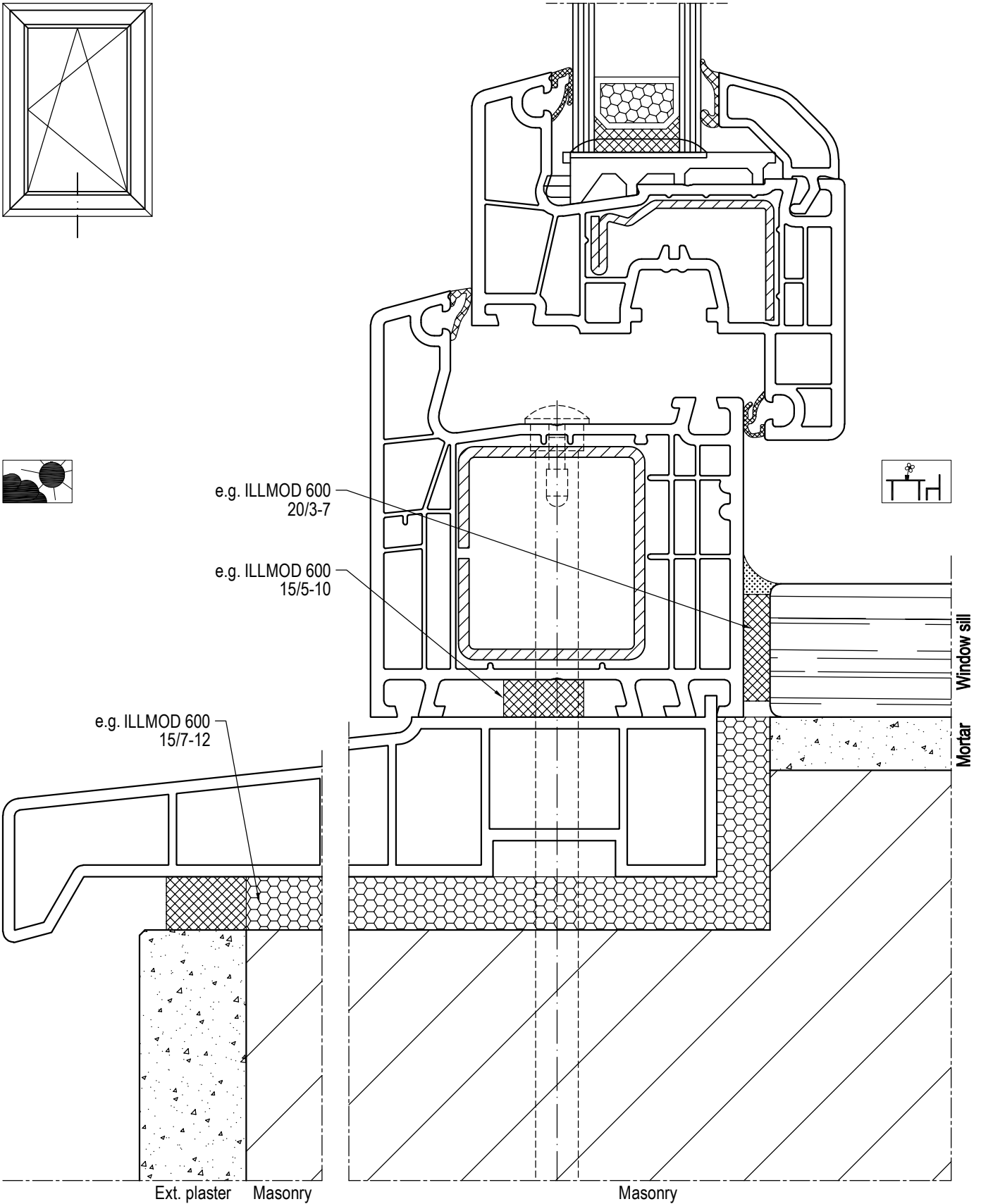
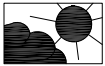
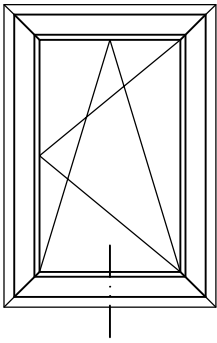
Scale 1:1

03\_Z\_01\_4\*

en May be subject to change and errors excepted!

**Combinations:**

**Examples for the Connection to the Wall  
bottom connection**



Attention:  
Basically, the interior connection to the wall structure shall be (vapour diffusion-) tighter than the exterior.  
Inside: vapour barrier (vapour shall diffuse to the exterior) / airtight  
Outside: driving rain resistant and vapour permeable (to the exterior)  
Installation according to state of the art.  
Respect gasket manufacturer's guidelines!

Scale 1:1

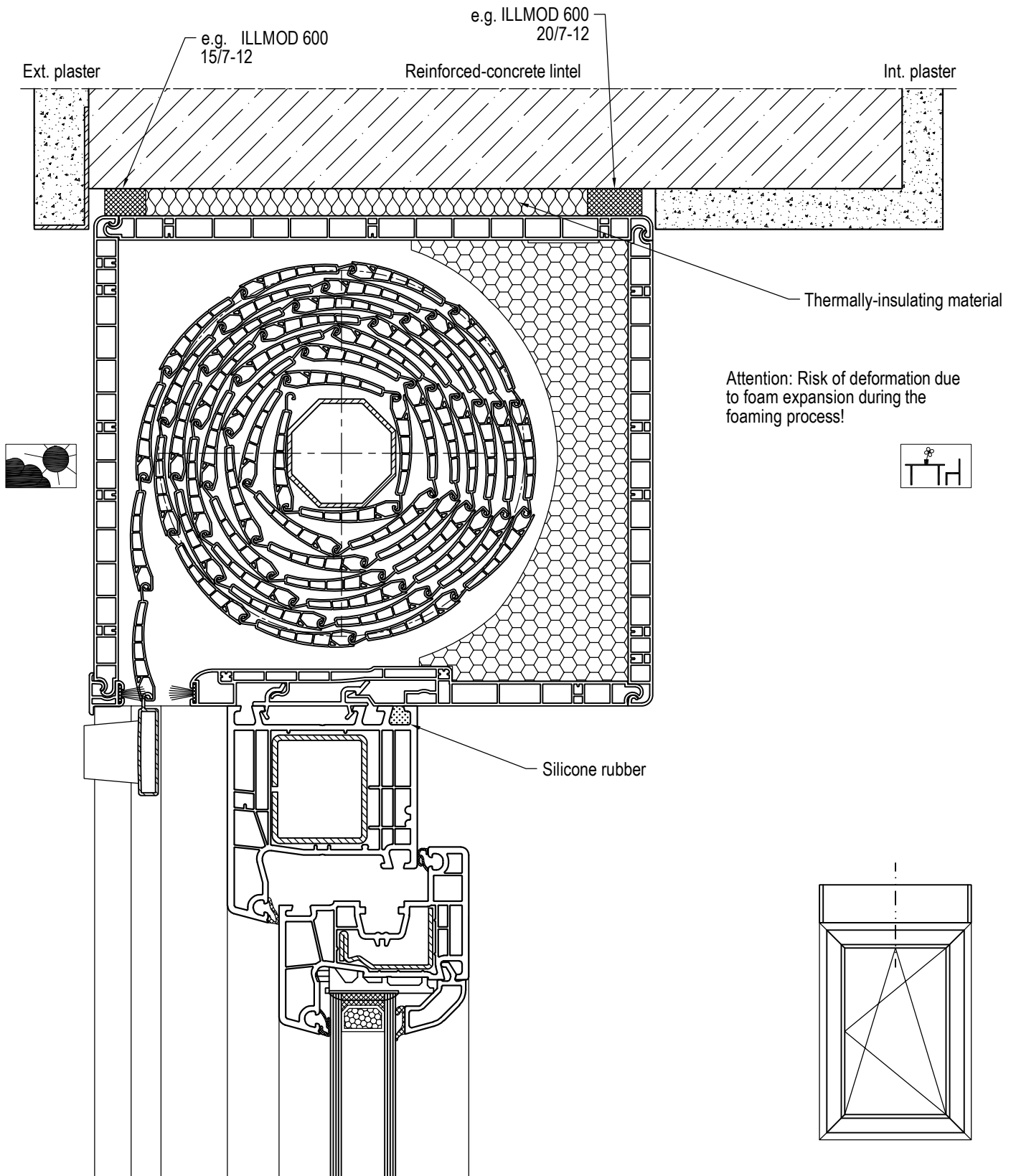
03\_Z\_01\_4\*

en May be subject to change and errors excepted!

**Combinations:**

**Examples for the Connection to the Wall  
bottom connection**





Attention:  
Basically, the interior connection to the wall structure shall be (vapour diffusion-) tighter than the exterior.  
Inside: vapour barrier (vapour shall diffuse to the exterior) / airtight  
Outside: driving rain resistant and vapour permeable (to the exterior)  
Installation according to state of the art.  
Respect gasket manufacturer's guidelines!

Scale 1:2

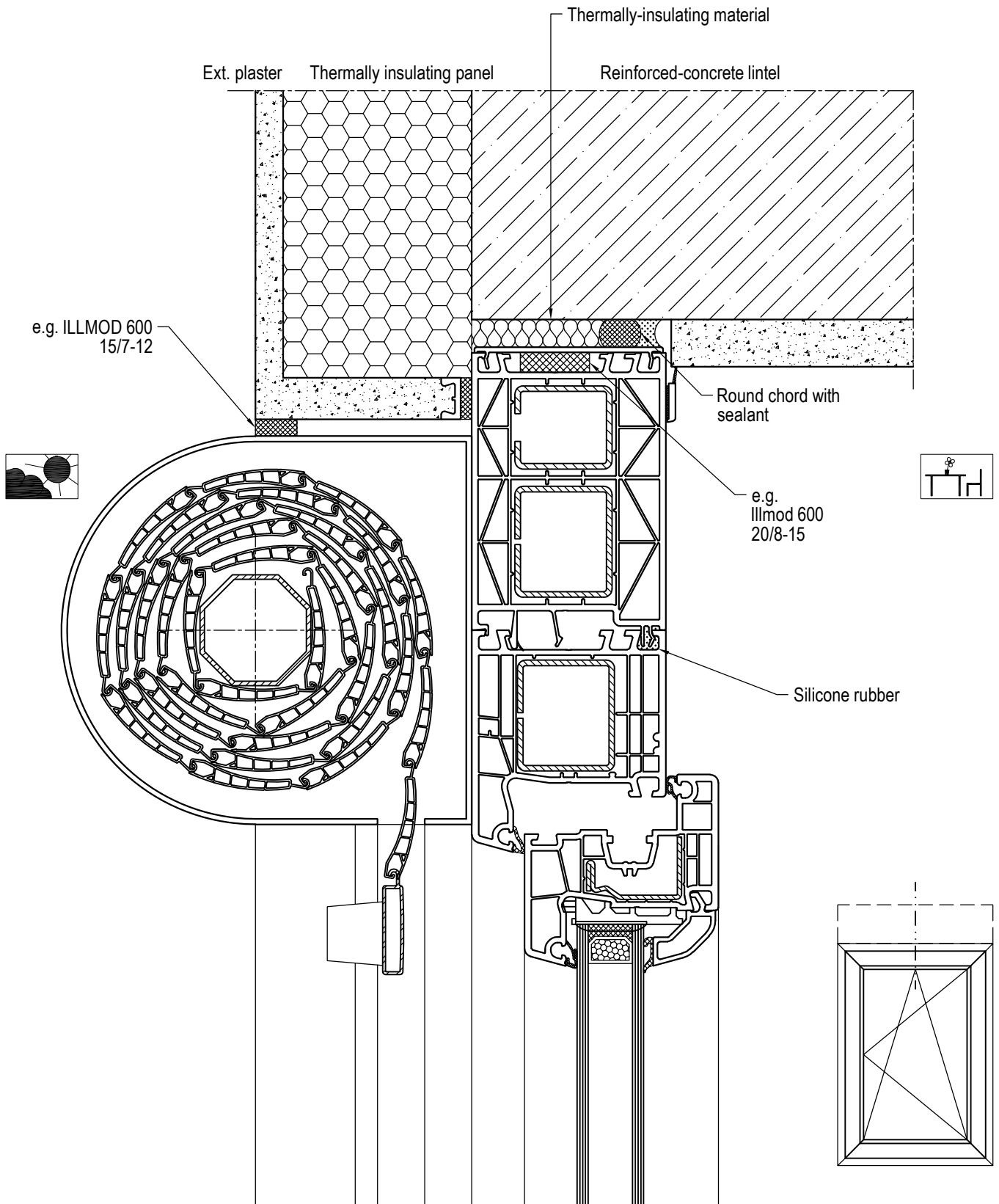
03\_Z\_01\_4\*

en May be subject to change and errors excepted!

Combinations:

Examples for the Connection to the Wall  
at top with roller shutter box





Attention:  
 Basically, the interior connection to the wall structure shall be (vapour diffusion-) tighter than the exterior.  
 Inside: vapour barrier (vapour shall diffuse to the exterior) / airtight  
 Outside: driving rain resistant and vapour permeable (to the exterior)  
 Installation according to state of the art.  
 Respect gasket manufacturer's guidelines!

Scale 1:2

03\_Z\_01\_4\*

en May be subject to change and errors excepted!

**Combinations:**

**Examples for the Connection to the Wall at top with built-on roller shutter box**

## 09 H Mechanical Connections

Note: Choose the compatible connector and the corresponding drilling jig or drilling pattern from chapter 02 D (Main Profiles) Mullions / Transoms.

The **Chapter 09 H Mechanical Connections** is subdivided into:  
General information - Drilling patterns - Connectors

### 09 H 1 Mechanical Mullion and Transom Connections

Mullion and transom profiles are counter-milled (unless they get welded with the other profiles) and screwed to the frame / sash profile or mullion / transom profile with special zink-diecast connectors.

Use all the screws shown in the assembly drawings for all connection.

### 09 H 2 Cleaning and Care after the installation

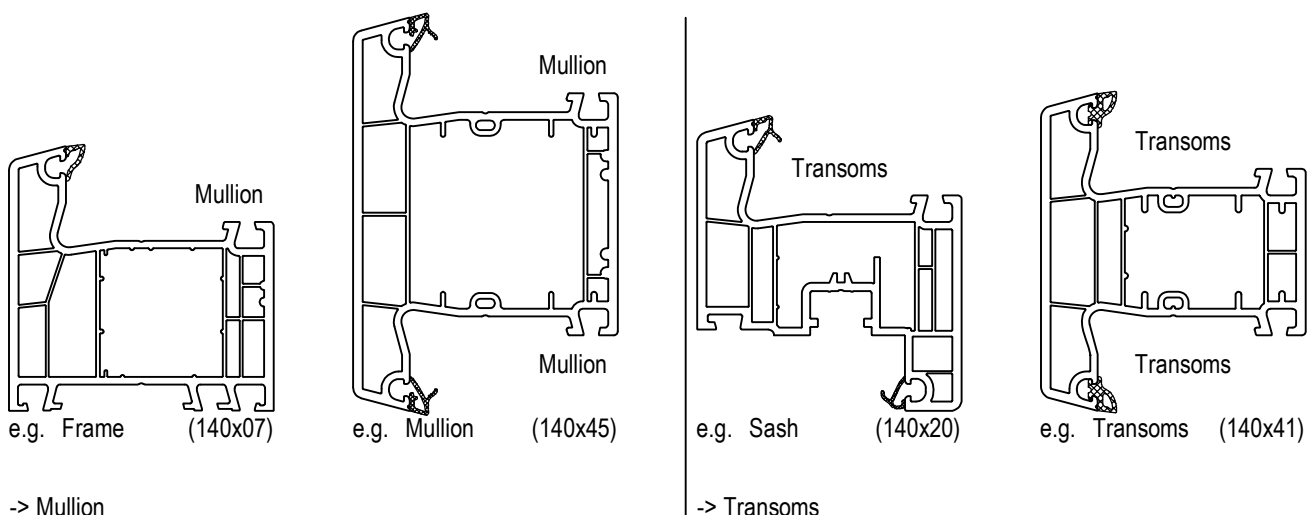
refer to **Chapter 10 R Cleaning, 10 S Maintenance, and 10 T Ventilation**

It is normal that windows get soiled during the window manufacturing process, for example when installing the hardware (grease) or due to ancillary marks (do not use felt markers as they often leave stubborn stains and therefore are not recommended for marking). Plastic window profiles can be cleaned easily using water and commercially-available mild cleansing agents (e.g. washing-up liquid, curd soap, soft soap). Solvents or abrasive cleansing agents must not be used.

We recommend using the **aluplast** PVC window cleanser, **item number 699919** (for laminated profiles: **699920**). The cleansing agent has been developed especially for surfaces of white colour or wood texture design. It keeps the recently cleaned profiles or windows clean for a considerably longer time. The cleansing agent is suitable only for profile surfaces. Do not apply on other surfaces.

Apply the cleansing agent with a dry, clean cloth. Remove heavy soiling applying soft pressure. Wipe the profile surfaces with a damp cloth. Shake the bottle well before using the cleansing agent.

Profiles with wood texture design are resistant to corrosive agents as hard plaster, chlorinated lime and cement. Do not treat these profiles with alcohol, nitrocellulose lacquer, lacquer diluents, and organic solvents.



-> Mullion

-> Transoms

Scale 1:2

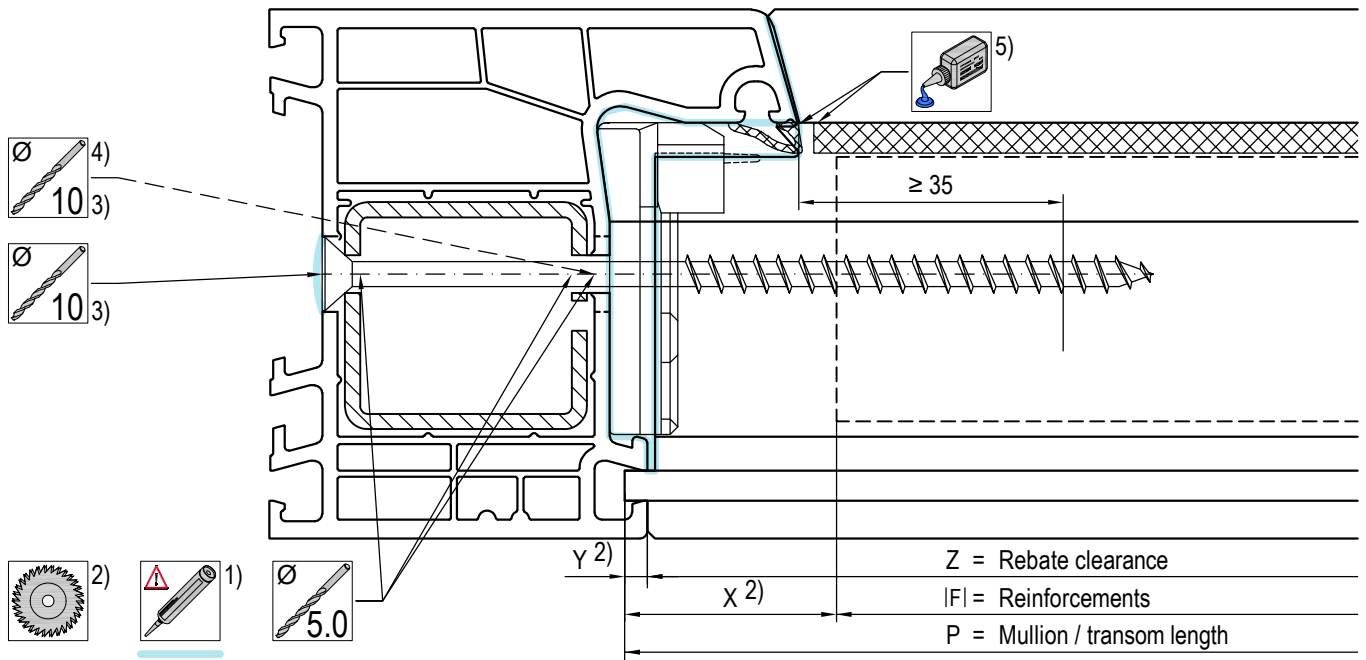
09\_H\_01\_4\*

en May be subject to change and errors excepted!

Individual Handling

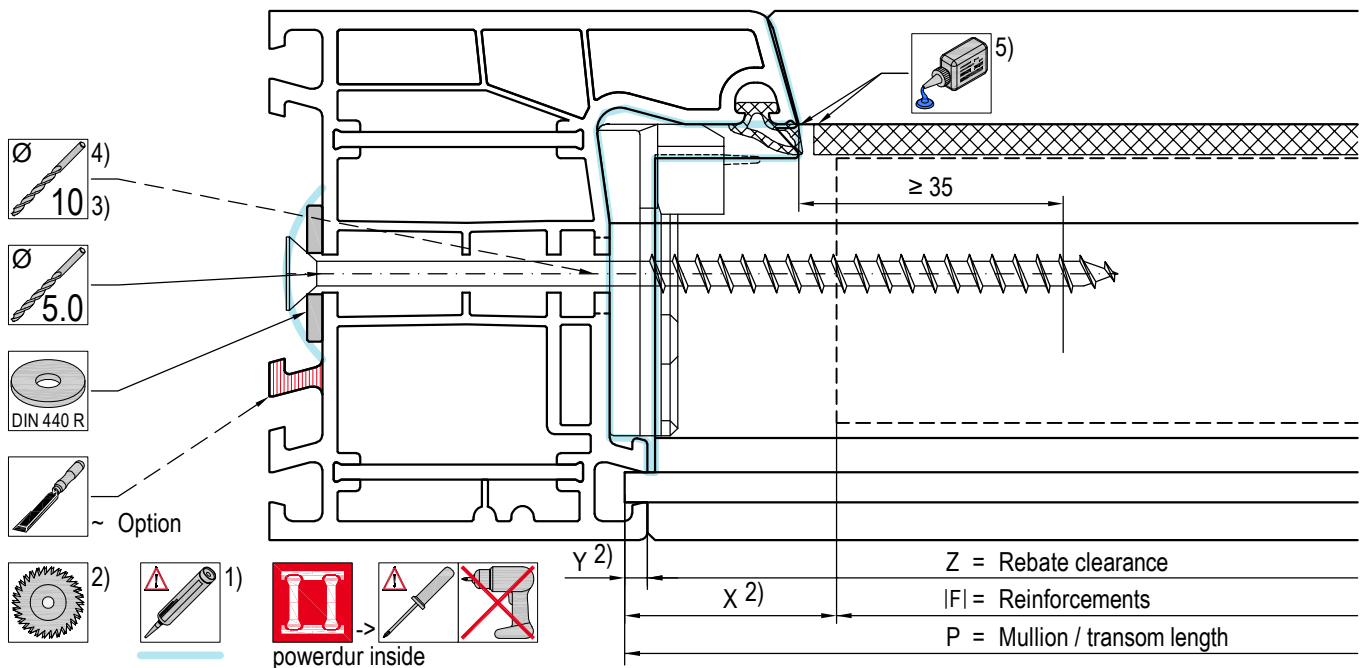
Mechanical Connections  
General

Example  
140x07 Frame



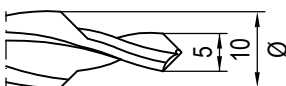
Example  
040x07 Frame

powerdur inside



Mullion on frame/mullion: The screw shall project the profile edge by approximately 35mm. Drill a  $\phi 5\text{mm}$  hole through the reinforcement. We recommend drilling a blind hole of  $\phi 10\text{mm}$  into reinforced frames and mullions (drill diameter depends on screw head, required when connectors with knobs are used).

- 1) Seal all drill holes (or screws / washers) after screwing!
- 2) Milling patterns upon request only. For further information contact the aluplast application engineering team (AWT).
- 3) e.g. Step drill
- 4) -> IDI Connector with knobs



- 5) -> IXI ... Gaskets

Scale 1:1

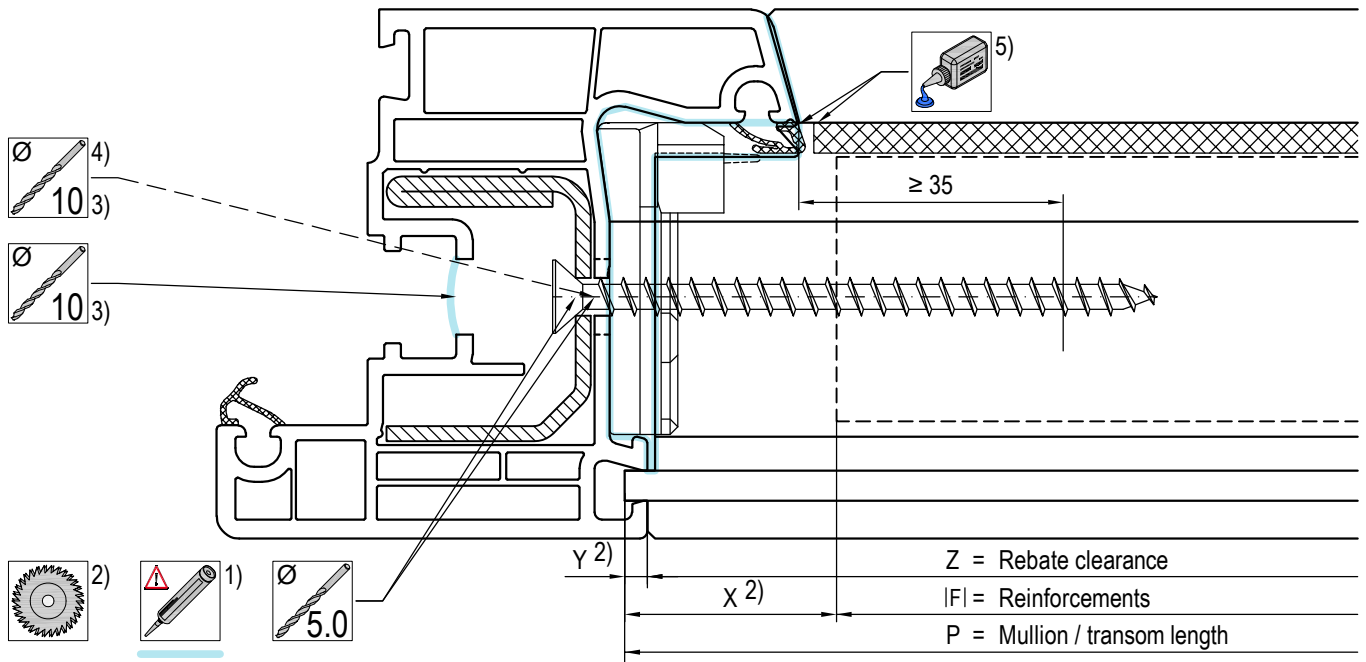
09\_H\_01\_4\*

en May be subject to change and errors excepted!

Individual Handling

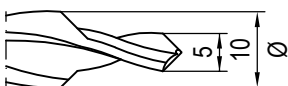
Mechanical Connections  
General

Example  
140x20 Sash



Transom on sash/transom: The screw shall project the profile edge by approximately 35mm. We recommend drilling a blind hole of  $\varnothing 10$ mm into reinforced sashes and transoms (drill diameter depends on screw head, required when connectors with knobs are used), and a through-hole  $\varnothing 5$ mm in the steel channel. (comparable with drilling in the frame).

- 1) Seal all drill holes (or screws / washers) after screwing!
- 2) Milling patterns upon request only. For further information contact the aluplast application engineering team (AWT).
- 3) e.g. Step drill
- 4) -> IDI Connector with knobs



- 5) -> IXI ... Gaskets

Scale 1:1

09\_H\_01\_4\*

en May be subject to change and errors excepted!

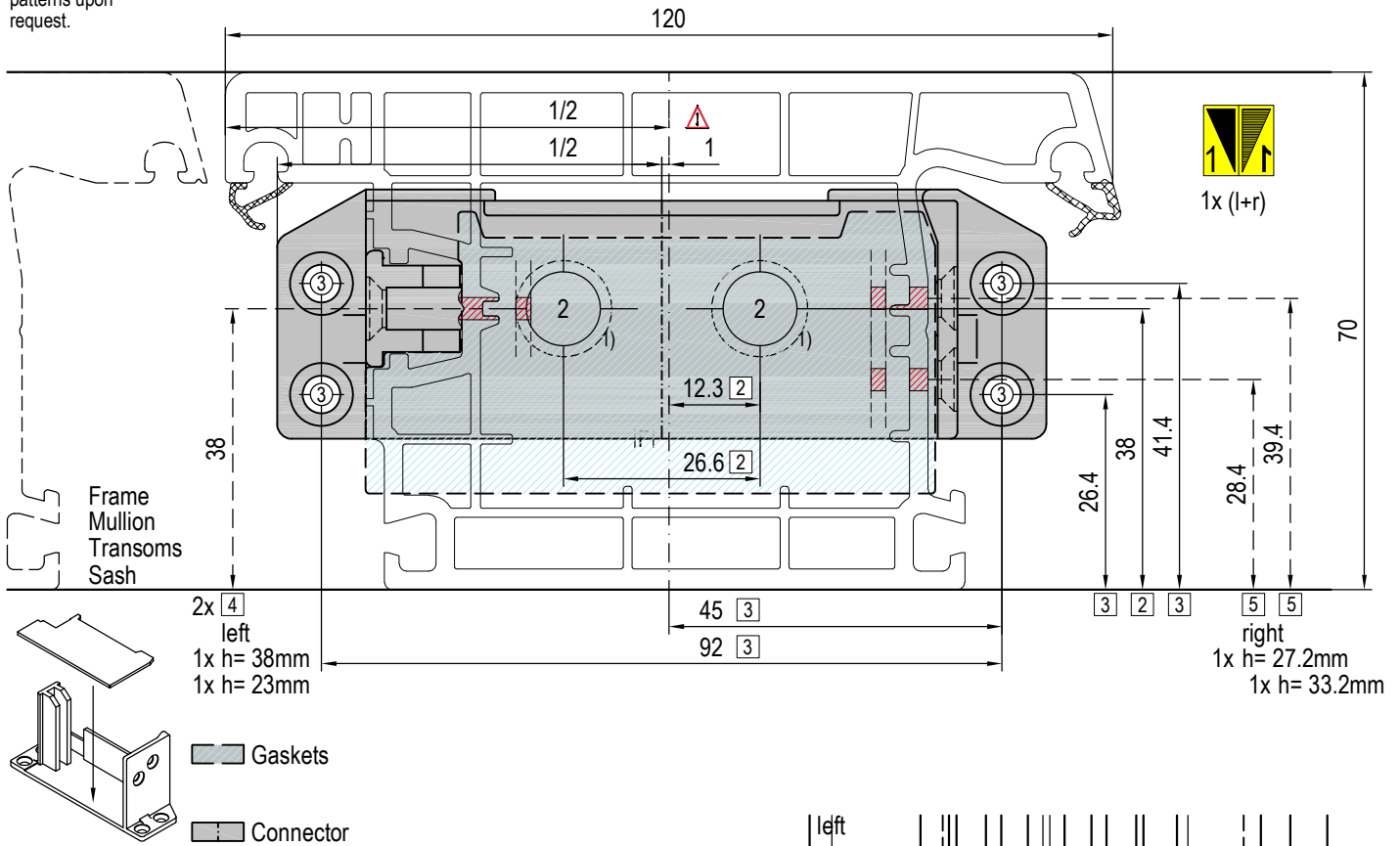
Individual Handling

Mechanical Connections  
General

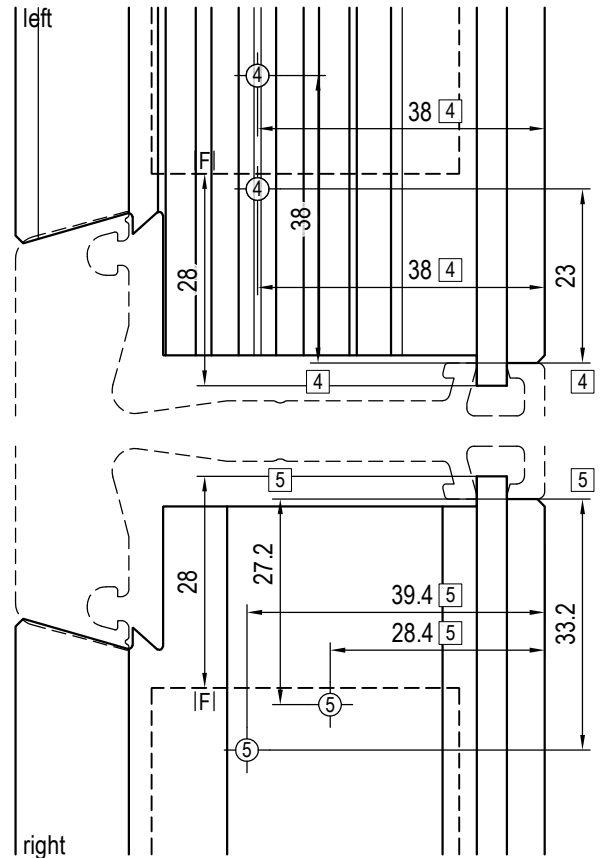
⚠ All measures refer to drill holes without drilling jig!

IFI Reinforcements required

Milling cutters /  
patterns upon  
request.



Drill hole				Processing	
1	x	x	x	x	-
2	2x			required	1) -
3	4x			required	-
4	2x 2)			required	2) -
5	2x 2)			required	2) -
	x	x	x	x	-
<b>Connector</b>				with knobs	without knobs
F~ Metal				DI 627107 F	DI - F
P~ Plastic				DI -	DI - P
Set Connector + Gaskets (l+r)					
				Butt joint or cross	1x (l+r)



1) Blind hole  
2) laterally

140x35 ~ (Horizontal) Mullion: Refer to Chapter 03 B Residential Door / Threshold Combinations

## Drilling pattern

Scale 1:1

09\_H\_01\_4\*

en May be subject to change and errors excepted!

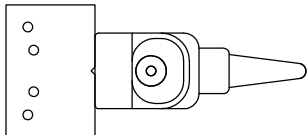
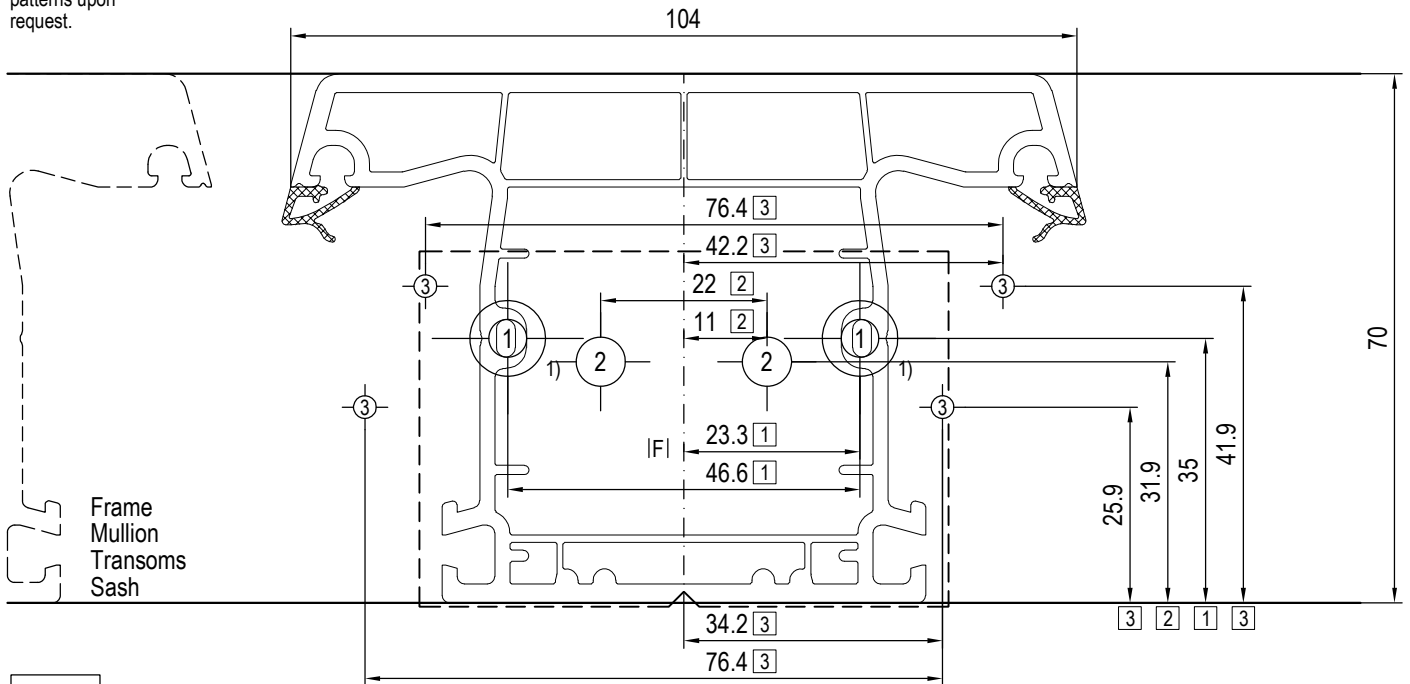
Individual Handling

Mechanical Connections  
Mullions/Transoms 140x35

⚠ All measures refer to drill holes without drilling jig!

IFI Reinforcements required

Milling cutters /  
patterns upon  
request.



IOI 640901  
Drilling jig

Drill hole				Processing			
1	2x			Standard	1) Standard		
1	2x			Option A	1) Option A		1)
2	2x			Option B	Option B		
3	4x			required	required		
1)	2x			required	1)	required	1)
<b>Connector</b> F~ Metal P~ Plastic  see Chapter 05 D 3) ~45x20x1000 mm Ø1 640046 P				with knobs ID1 677133 F	without knobs ID1 677103 F	with knobs ID1 - F	without knobs ID1 647136 F
				ID1 - P	ID1 - P	ID1 - P	ID1 - P
				Butt joint or cross		Butt joint	

1) Blind hole Ø10mm in the PVC is required (e.g. with step drill Ø5/Ø10mm).

3) Manual "Additional Profiles / Accessories"

Scale 1:1

09\_H\_01\_4\*

en May be subject to change and errors excepted!

Individual Handling

## Drilling pattern

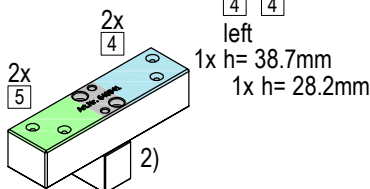
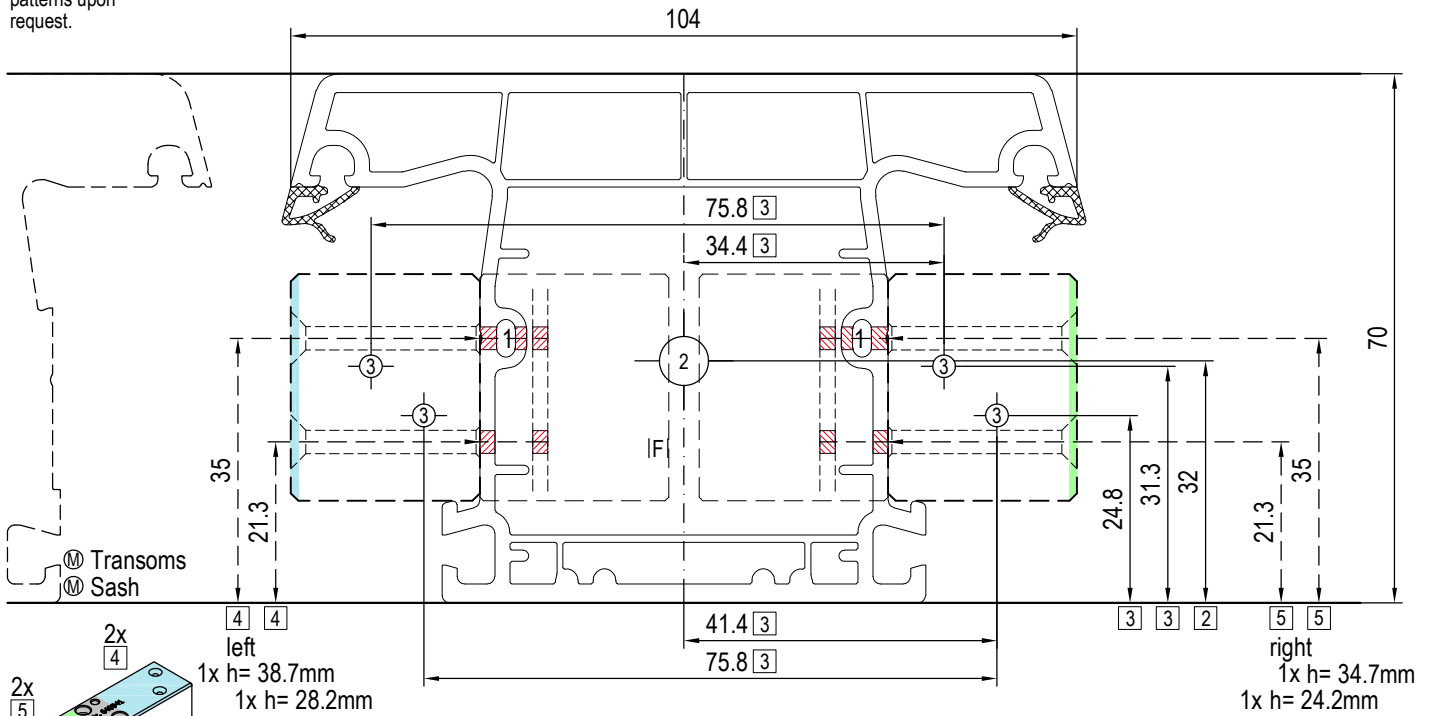
Mechanical Connections

# Mullions/Transoms 140x45

⚠ All measures refer to drill holes without drilling jig!

IF| Reinforcements required

Milling cutters / patterns upon request.



IOI 640941 Drilling jig

Drill hole				Processing	
1	x	x	x	-	x
2	1x	6.5		-	Option
3	4x	3.0		-	required
4	1x 2)	3.0		-	required 2)
5	1x 2)	3.0		-	required 2)
x	x	x	x	-	x

### Connector

F~ Metal  
P~ Plastic

see Chapter 05 D 3)

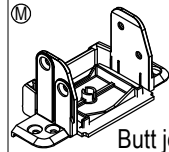
~45x20x1000 mm  
Ø1 640046 P

with knobs

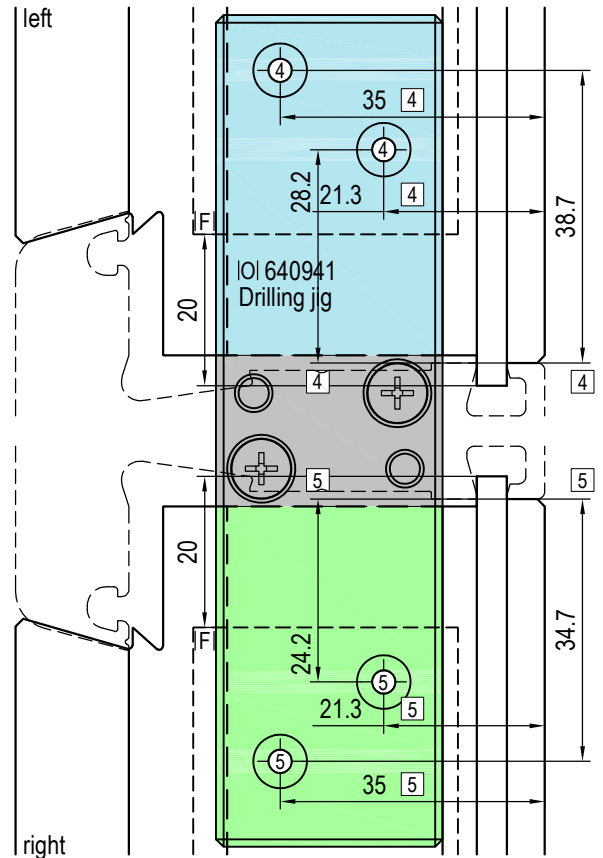
ID| -  
ID| -  
Ⓜ

without knobs

F Ø1 647245 F  
P Ø1 - P



Butt joint or cross



2) laterally  
3) Manual "Additional Profiles / Accessories"

Scale 1:1

09\_H\_01\_4\*

en May be subject to change and errors excepted!

Individual Handling

Drilling pattern Ⓜ

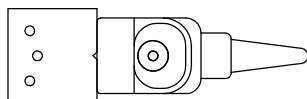
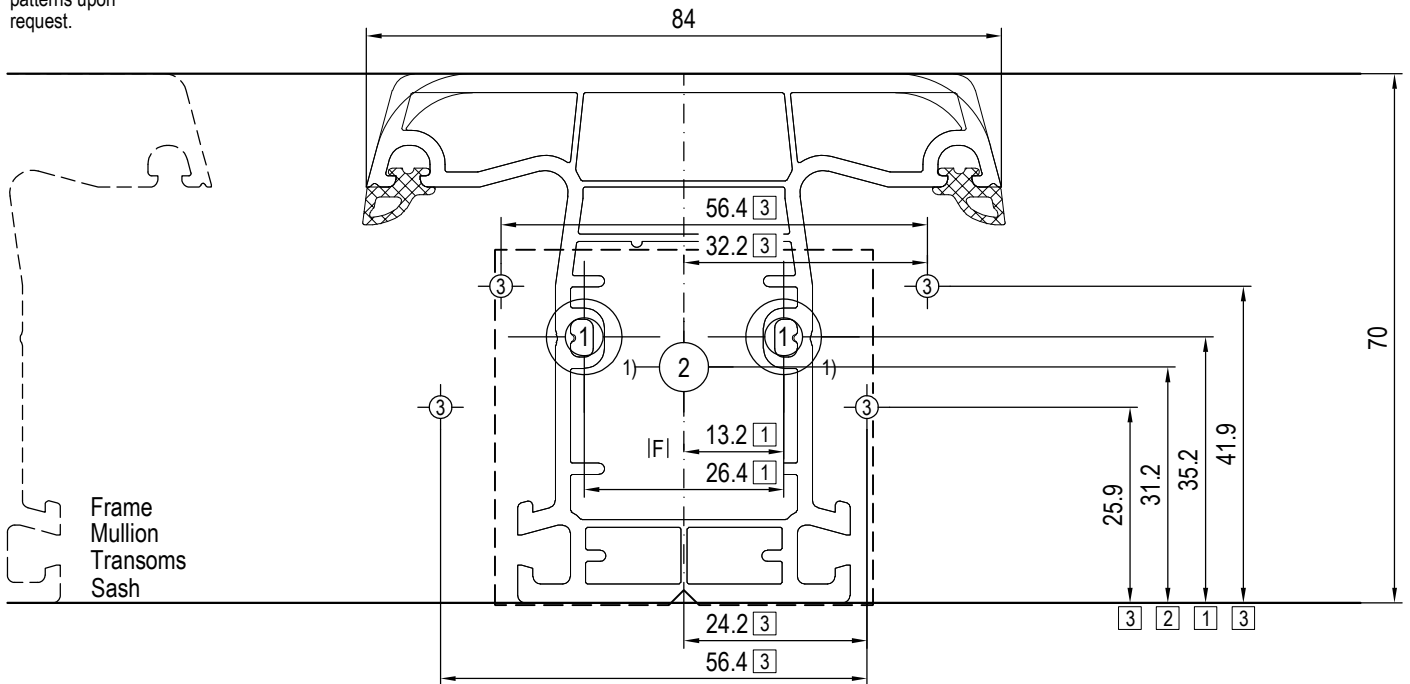
Mechanical Connections  
Transom 140x45



⚠ All measures refer to drill holes without drilling jig!

IFI Reinforcements required

Milling cutters /  
patterns upon  
request.



IOI 640900  
Drilling jig

Drill hole				Processing			
1	2x			Standard	1) Standard		
1	2x			Option A	1) Option A	Option C	1) Option C
2	1x			Option B	Option B	Option D	Option D
3	4x			required	required		
1)	2x			required	1)	required	1)
<b>Connector</b> F~ Metal P~ Plastic see Chapter 05 D 3) ~35x20x1000 mm Ø1 620046 P				with knobs ID  647132 F ID  - P	without knobs ID  647102 F ID  - P	with knobs ID  647131 F ID  649131 P	without knobs ID  647101 F ID  649101 P

1) Blind hole Ø10mm in the PVC is required (e.g. with step drill Ø5/Ø10mm).

3) Manual "Additional Profiles / Accessories"

Scale 1:1

09\_H\_01\_4\*

en May be subject to change and errors excepted!

Individual Handling

## Drilling pattern

Mechanical Connections

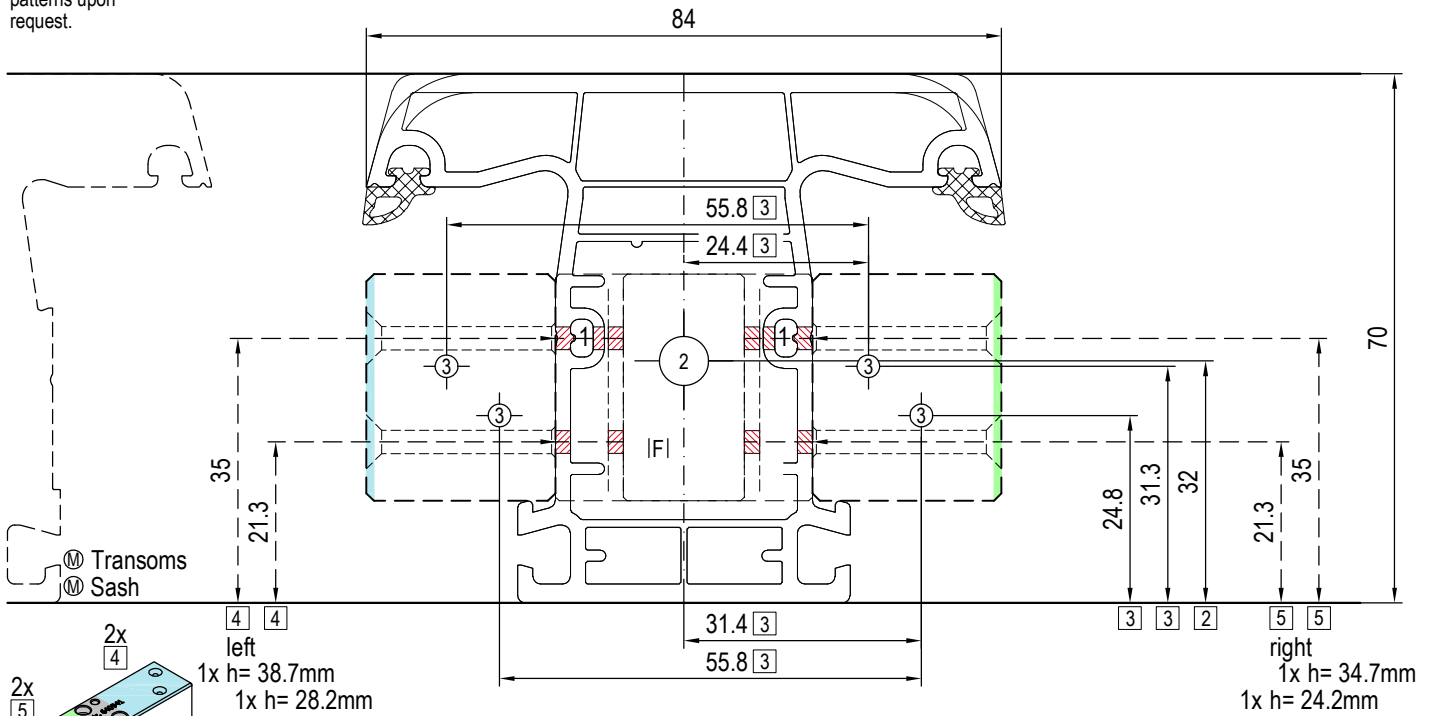
# Mullions/Transoms 140x41, 140x47



⚠ All measures refer to drill holes without drilling jig!

IFI Reinforcements required

Milling cutters /  
patterns upon  
request.



IFI 640941 Drilling jig

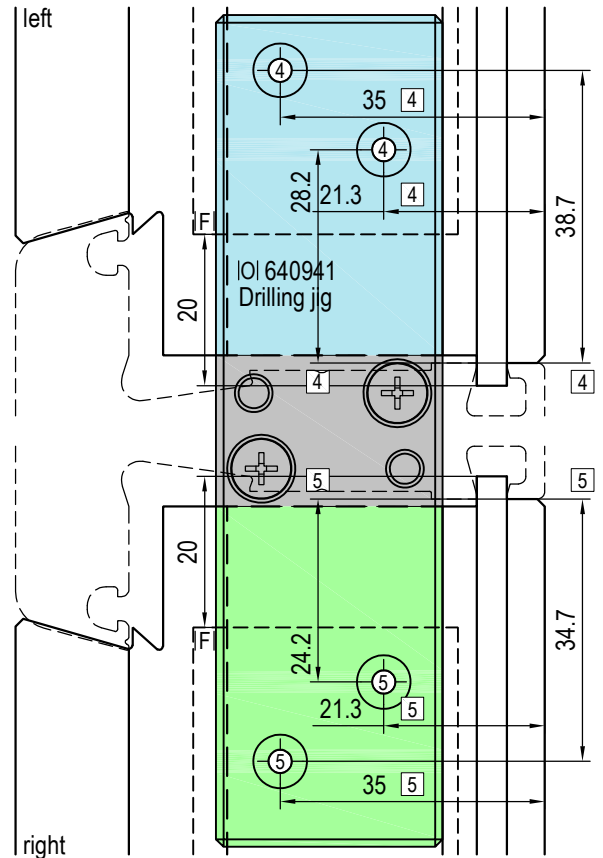
Drill hole				Processing	
1	x	x	x	-	x
2	1x	6.5		-	Option
3	4x	3.0		-	required
4	1x 2)	3.0		-	required 2)
5	1x 2)	3.0		-	required 2)
x	x	x	x	-	x

Connector	with knobs	without knobs
F~ Metal	DI -	F $\varnothing$ 647241 F
P~ Plastic	DI -	P $\varnothing$ - P

see Chapter 05 D 3)  
~35x20x1000 mm  
 $\varnothing$  620046 P

Butt joint or cross



2) laterally  
3) Manual "Additional Profiles / Accessories"

Drilling pattern  $\text{\textcircled{M}}$

Scale 1:1

09\_H\_01\_4\*

en May be subject to change and errors excepted!

Individual Handling

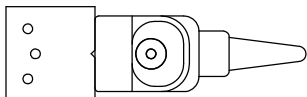
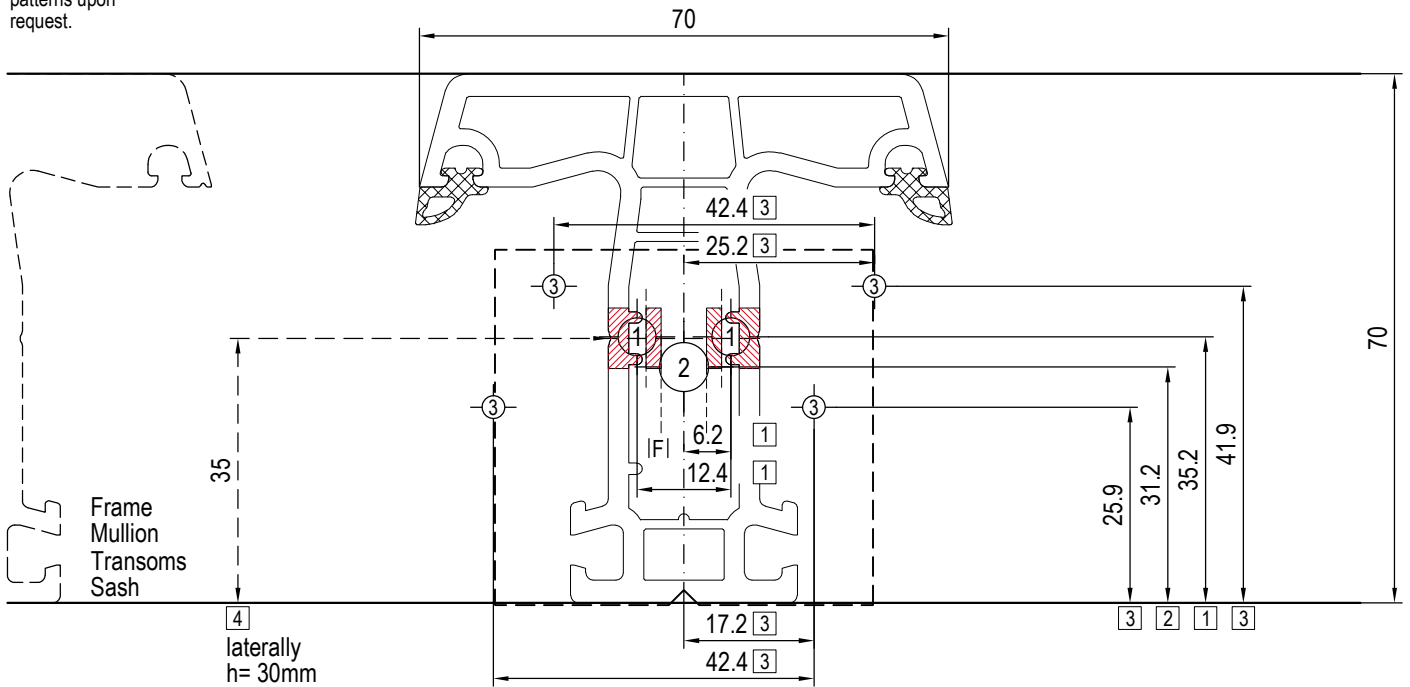
Mechanical Connections

Transom 140x41, 140x47

⚠ All measures refer to drill holes without drilling jig!

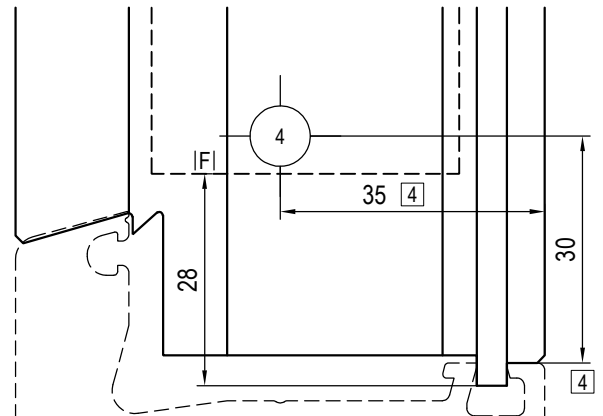
IFI Reinforcements required

Milling cutters /  
patterns upon  
request.



IOI 640900  
Drilling jig

Drill hole				Processing	
1	2x	✗	✗	-	Standard
1	2x			-	Option A
2	1x			-	Option B
3	4x			-	required
4	1x 2)			-	required 2)
✗	✗	✗	✗	-	✗
Connector				with knobs	without knobs
F~ Metal				DI -	F
P~ Plastic				DI -	P
				Butt joint or cross	

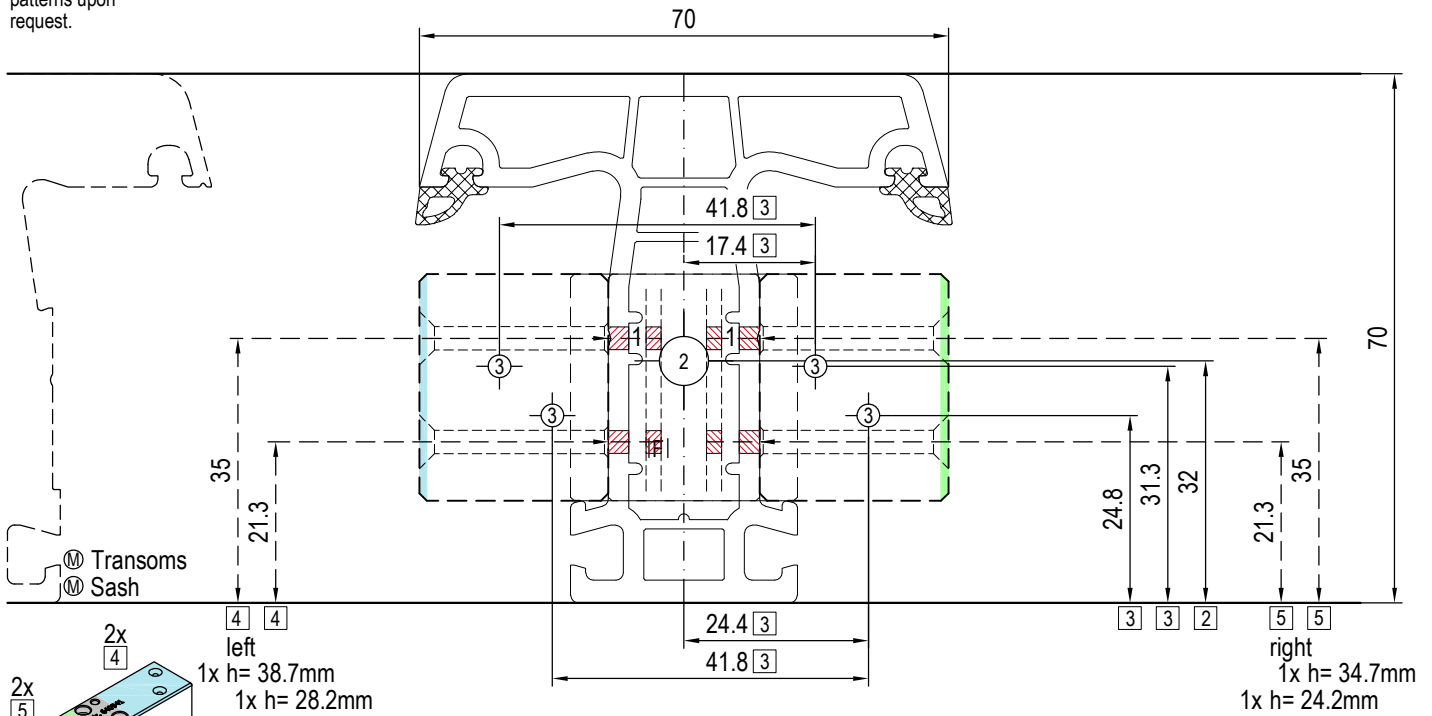


1) Blind hole Ø10mm in the PVC is required (e.g. with step drill Ø5/Ø10mm).  
2) laterally

⚠ All measures refer to drill holes without drilling jig!

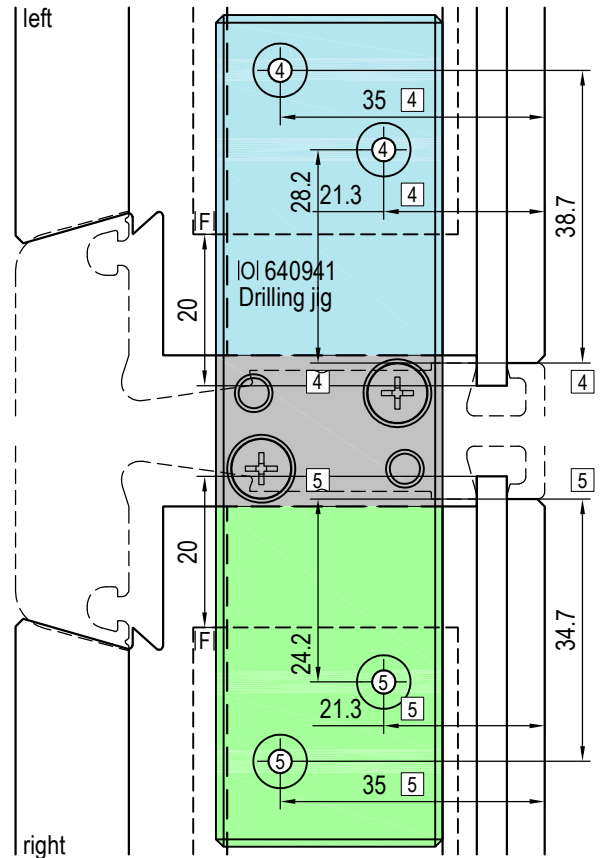
IF| Reinforcements required

Milling cutters /  
patterns upon  
request.



IOI 640941   
Drilling jig

Drill hole				Processing	
1	x	x	x	-	x
2	1x			-	Option
3	4x			-	required
4	1x 2)			-	required 2)
5	1x 2)			-	required 2)
x	x	x	x	-	x
Connector				with knobs	without knobs
F~ Metal				ID  -	F  Ø  647246 F
P~ Plastic				ID  -	P  Ø  - P
					Butt joint or cross



2) laterally

Drilling pattern (M)

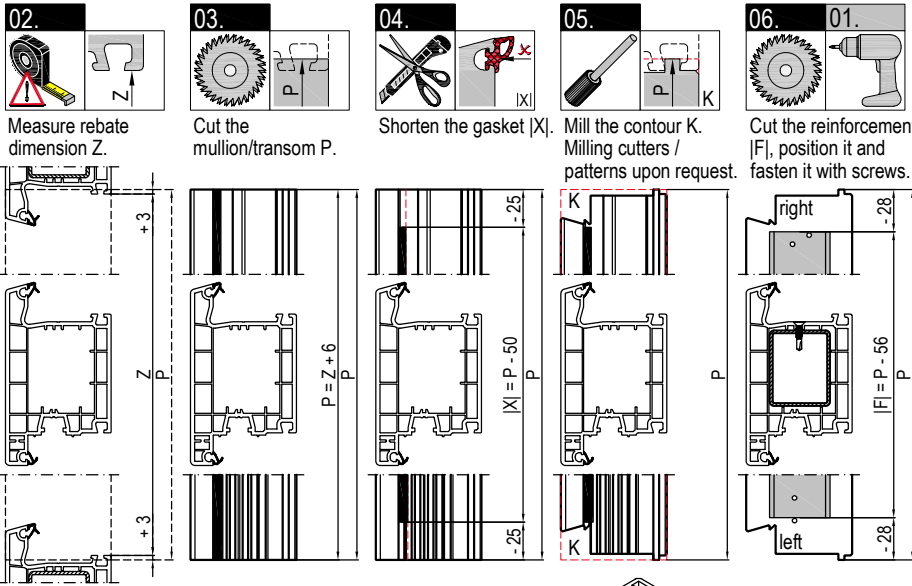
Scale 1:1

09\_H\_01\_4\*

en May be subject to change and errors excepted!

Individual Handling

Mechanical Connections  
Transom 140x46



Profile series  
**IDEAL 4000**

Construction depth  
70mm

Mullions/Transoms  
140x35 Mullions/Transoms

Connector  
Butt joint or cross  
Set

IDI 627107 with knobs  
without knobs

IDI - with knobs  
without knobs

|F| Reinforcements

Auxiliary parts  
□ Drilling pattern

**i**

627107

~~...~~

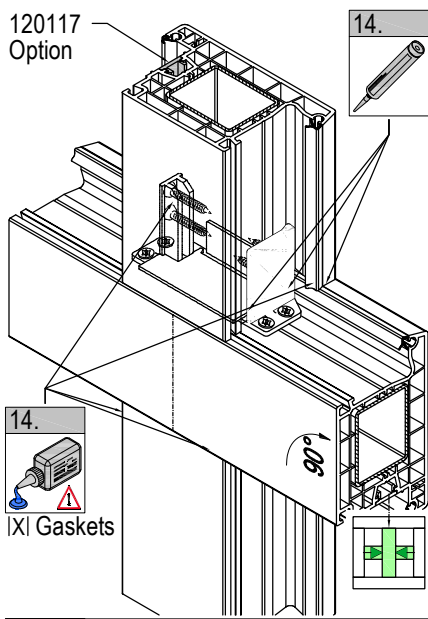
**1**

1x (l+r)

Set = Connector + Gaskets (l+r) (l+r)

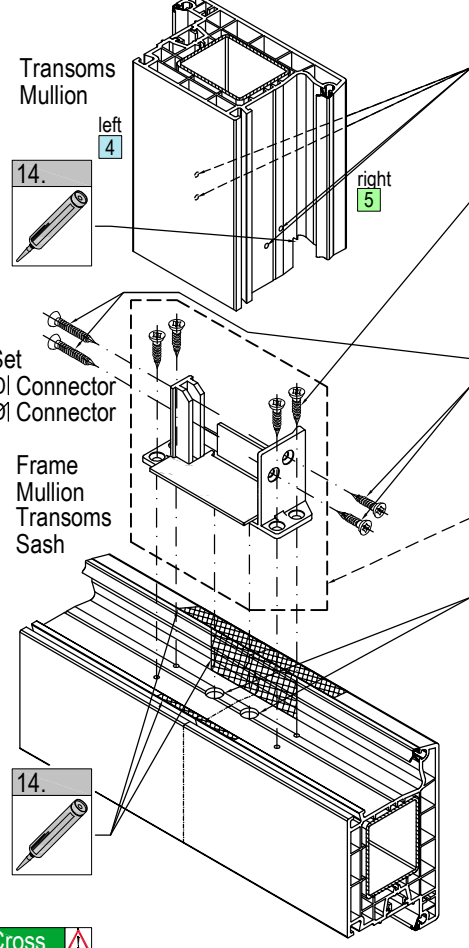
**|F| Reinforcements**

**01.** Important: Profiles to be connected must be reinforced (provided that they are designed to be reinforced).



**14.** Sealing: Seal any gasket joints and openings before glazing, even those not shown in this drawing!

Connector		
<b>i</b> T-01	Processing	01.-09. ... 14.
IDI  DI  627107	Standard	10. +13. <b>Cross</b> <b>A</b>
-	-	-
-	-	-



**09.** 2x left + right **i** 4 5 see Drilling pattern

**13.** -> IDI |DI| 627107 **i** T-01 4x Screw ~ DIN 7504 P ø4.2x19mm Drill hole = Option

**10.** ø4.2x32mm = left 2x Screw ~ DIN 7504 P ø4.2x19mm = right 2x Screw

**08.** OMITTED

**Cross** **A** 10.+13.

**07.** -> IDI |DI| 627107 with knobs 2x Drill hole

**11.** OMITTED

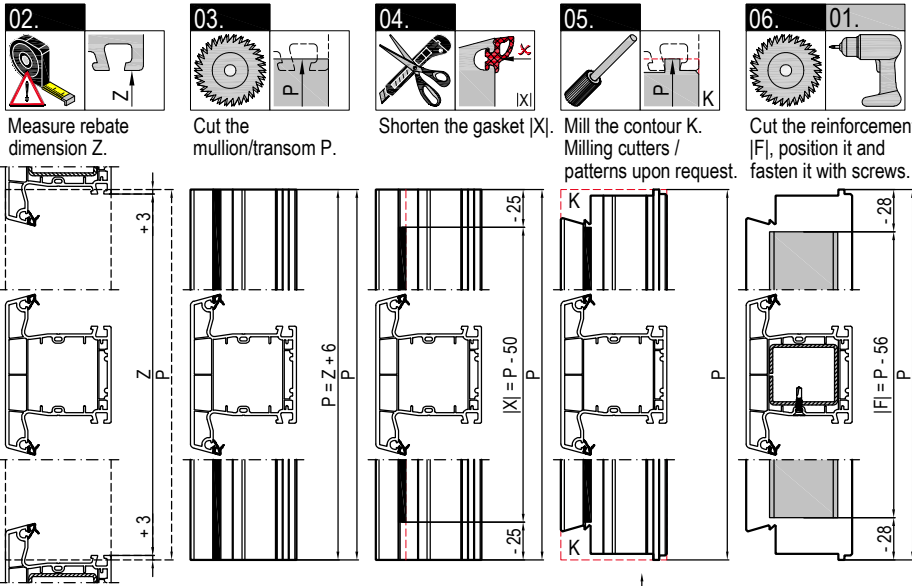
**12.** OMITTED

140x35 ~ (Horizontal) Mullion: Refer to Chapter 03 B Residential Door / Threshold Combinations

Scale 1:5  
09\_H\_01\_4\*  
en May be subject to change and errors excepted!

**Individual Handling**

**Connector**  
Mechanical Connections  
**Mullions/Transoms 140x35**



Profile series  
**IDEAL 4000**

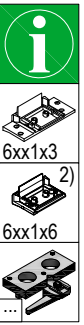
Construction depth  
70mm

Mullions/Transoms  
140x45 Mullions/Transoms

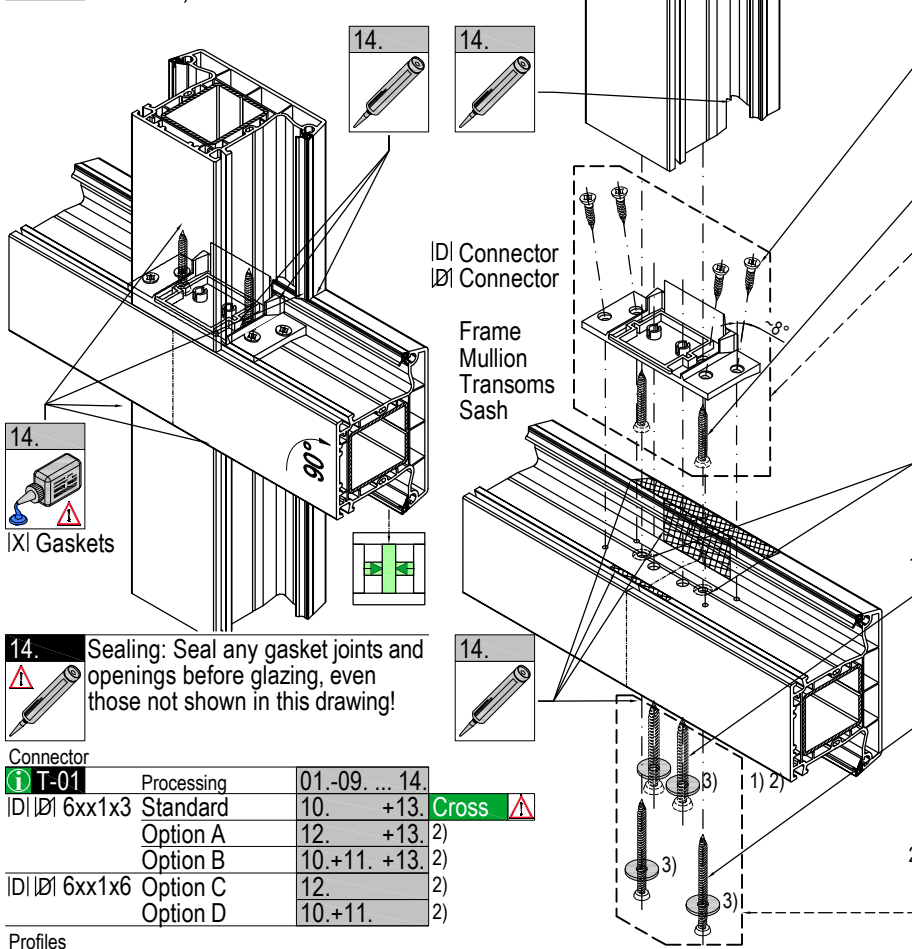
Connector  
Butt joint or cross

IDI 677133 with knobs  
Ø1 677103 without knobs 2)  
IDI - with knobs 2)  
Ø1 647136 without knobs 2)  
IFI Reinforcements

Auxiliary parts  
□ Drilling pattern  
OI 640901 Drilling jig  
Step drill



IFI Reinforcements  
**STOP** Important: Profiles to be connected must be reinforced (provided that they are designed to be reinforced).



09. OMITTED

13. -> IDI Ø1 6xx1x3 **T-01**  
3.0 3 **4x Screw** ~ DIN 7504 P ø4.2x19mm  
Drill hole = Option

10. **T-01**  
**Cross** 10.+13. **2x Screw** ~ SPAX / ASSY ø5x60mm

08. OMITTED

07. -> IDI Ø1 6xxx3x with knobs **T-01**  
10 1) **2x Drill hole**  
1) Step drill ~ Blind hole

11. 2) **T-01**  
6.5 2 **2x Screw** ~ DIN 7981 **T-02**  
OI 640901 Drilling jig

12. 2) **T-01**  
5.0 1 **2x Screw** ~ SPAX / ASSY **T-02**  
OI 640901 Drilling jig

2) **Butt joint** **STOP** For butt joint only, or only 1x on one side for cross joints. 11. 12.

3) -> powerdur inside **T-01** **T-02**  
DIN 440 R **11.** **12.**

Connector	Processing	01.-09. ... 14.
IDI Ø1 6xx1x3	Standard	10. +13. <b>Cross</b> <b>T-01</b>
	Option A	12. +13. 2)
	Option B	10.+11. +13. 2)
IDI Ø1 6xx1x6	Option C	12. 2)
	Option D	10.+11. 2)

Profiles	11.	12.
Fu(General ), P(140x46)	IFI ø6.3x32mm	ø5x80mm
R(040x02, 040x92, 140x09), P(140x41, 140x47)	3) IFI ø6.3x38mm	ø5x90mm
R(140... x01, x05, x12, x14, x15, x16, x17, x18, x19, x91)	IFI ø6.3x45mm	ø5x90mm
R(040x07, 140x00, 140x07, 140x08)	3) IFI ø6.3x50mm	ø5x100mm
R(140x03), Fo(140x30, 140x31, 140x34), P(140x45)	IFI ø6.3x60mm	ø5x110mm
R(140x81), Fo(140x33, 140x35, 140x38)	IFI ø6.3x70mm	ø5x120mm

R(frame), Fu(sash reinforced with L or U steel channel), Fo(sash reinforced with O steel channel), P(mullion/transom)

Scale 1:5

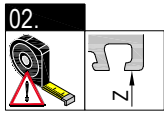
09\_H\_01\_4\*

en May be subject to change and errors excepted!

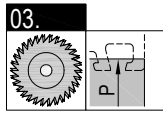
Individual Handling

**Connector**  
Mechanical Connections  
Mullions/Transoms 140x45

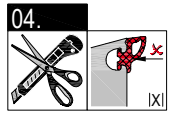




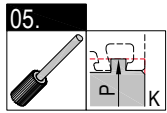
02. Measure rebate dimension Z.



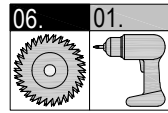
03. Cut the mullion/transom P.



04. Shorten the gasket |X|.

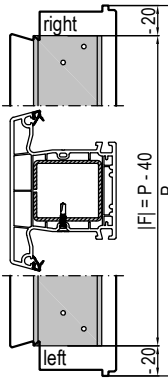
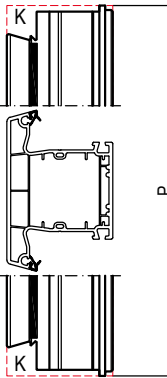
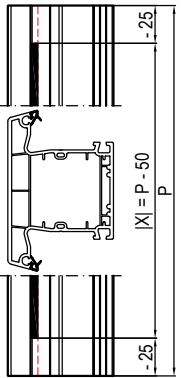
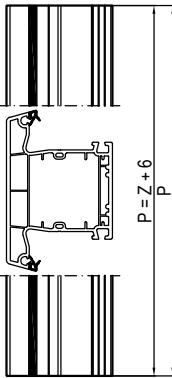
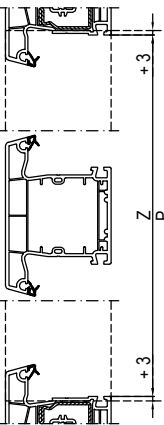
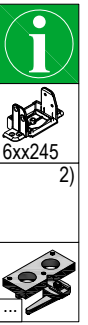


05. Mill the contour K. Milling cutters / patterns upon request.



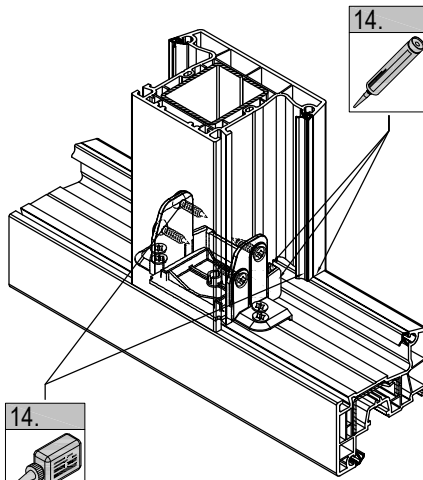
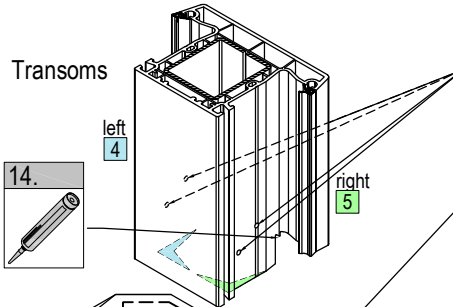
06. Cut the reinforcement |F|, position it and fasten it with screws.

Profile series  
**IDEAL 4000**  
Construction depth  
70mm  
Mullions/Transoms  
140x45 Transoms  
Connector  
Butt joint or cross  
ID| - with knobs  
ID| 647245 without knobs  
ID| - with knobs 2)  
ID| - without knobs 2)  
|F| Reinforcements  
Auxiliary parts  
Drilling pattern 4  
OI 640941 Drilling jig  
Step drill



|F| Reinforcements

**01.** Important: Profiles to be connected must be reinforced (provided that they are designed to be reinforced).



**14.** Sealing: Seal any gasket joints and openings before glazing, even those not shown in this drawing!

Connector	Processing	01.-09. ... 14.
T-01	Standard	10. +13. <b>Cross</b> ⚠
-	Option	10.+11. +13. 2)

Profiles		11.
T-02	screw	
Fu(General)		F  ø6.3x32mm

**09.** 2x left + right  
3.0 4 5  
OI 640941 Drilling jig  
see Drilling pattern ④

**13.** -> ID| ID| 6xx24x  
3  
4x Screw ~ DIN 7504 P ø4.2x19mm  
Drill hole = Option

**10.** 2x left + right  
**Cross** ⚠  
10.+13. 4x Screw ~ DIN 7504 P ø4.2x22mm

**08.** OMITTED

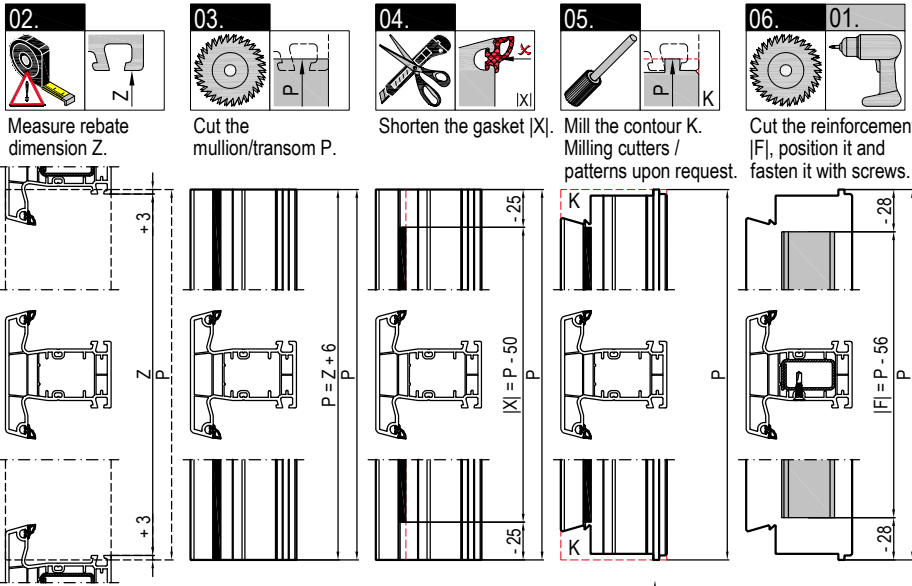
**07.** OMITTED

1) Step drill ~ Blind hole  
11. 2) 6.5 2  
1x Screw ~ DIN 7981  
T-02

**12.** OMITTED

2) **Butt joint**  
**STOP** For butt joint only, or only 1x on one side for cross joints.  
11. 12.

R(frame), Fu(sash reinforced with L or U steel channel), Fo(sash reinforced with O steel channel), P(mullion/transom)



Profile series  
**IDEAL 4000**

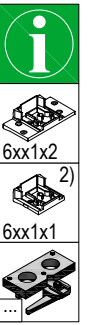
Construction depth  
70mm

Mullions/Transoms  
140x41, 140x47 Mullions/Transoms

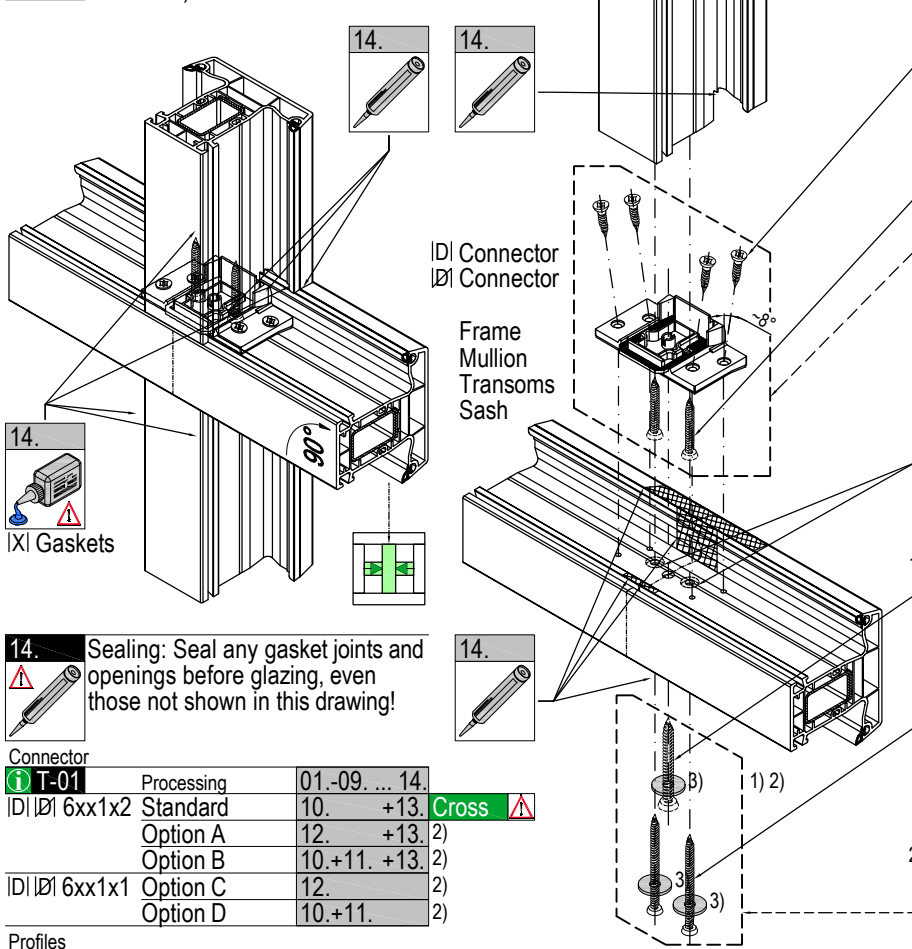
Connector  
Butt joint or cross

DI 647132 with knobs  
DI 647102 without knobs  
DI 647131 with knobs  
DI 647101 without knobs  
DI 649131 with knobs  
DI 649101 without knobs

|F| Reinforcements  
Auxiliary parts  
□ Drilling pattern  
IOI 640900 Drilling jig  
Step drill



**01.** Important: Profiles to be connected must be reinforced (provided that they are designed to be reinforced).



- 09.** OMITTED
- 13.** -> DI |DI| 6xx1x2 **T-01**  
3.0 3 **4x Screw** ~ DIN 7504 P ø4.2x19mm  
Drill hole = Option
- 10.** **Cross** **T-01**  
10.+13. **2x Screw** ~ SPAX / ASSY ø5x60mm
- 08.** OMITTED
- 07.** -> DI |DI| 6xxx3x with knobs **T-01**  
10 1) **2x Drill hole**  
1) Step drill ~ Blind hole
- 11.** 2) **T-01**  
6.5 2 **1x Screw** ~ DIN 7981 **T-02**  
IOI 640900 Drilling jig
- 12.** 2) **T-01**  
5.0 1 **2x Screw** ~ SPAX / ASSY **T-02**  
IOI 640900 Drilling jig
- 2) Butt joint** **11.**  
**STOP** For butt joint only, or only 1x on one side for cross joints. **12.**
- 3) -> powerdur inside** **11.**  
**12.**

Connector	Processing	01.-09. ... 14.
DI  DI  6xx1x2	Standard	10. +13. <b>Cross</b> <b>T-01</b>
	Option A	12. +13. 2)
	Option B	10.+11. +13. 2)
DI  DI  6xx1x1	Option C	12. 2)
	Option D	10.+11. 2)

Profiles	11.	12.
Fu(General ), P(140x46)	F  ø6.3x32mm	ø5x80mm
R(040x02, 040x92, 140x09), P(140x41, 140x47)	3)  F  ø6.3x38mm	ø5x90mm
R(140... x01, x05, x12, x14, x15, x16, x17, x18, x19, x91)	F  ø6.3x45mm	ø5x90mm
R(040x07, 140x00, 140x07, 140x08)	3)  F  ø6.3x50mm	ø5x100mm
R(140x03), Fo(140x30, 140x31, 140x34), P(140x45)	F  ø6.3x60mm	ø5x110mm
R(140x81), Fo(140x33, 140x35, 140x38)	F  ø6.3x70mm	ø5x120mm
R(frame), Fu(sash reinforced with L or U steel channel), Fo(sash reinforced with O steel channel), P(mullion/transom)		

Scale 1:5

09\_H\_01\_4\*

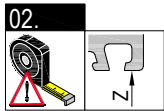
en May be subject to change and errors excepted!

Individual Handling

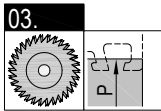
Connector

Mechanical Connections

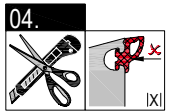
Mullions/Transoms 140x41, 140x47



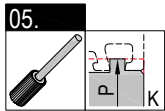
02. Measure rebate dimension Z.



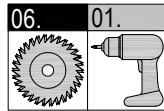
03. Cut the mullion/transom P.



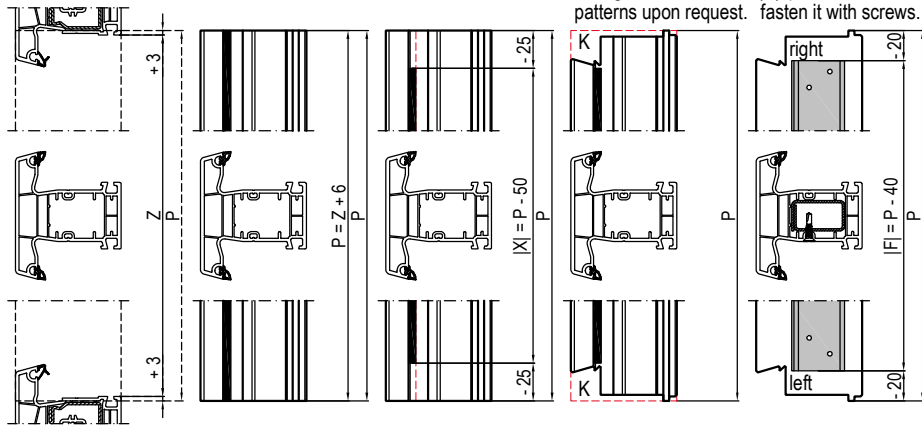
04. Shorten the gasket |X|.



05. Mill the contour K. Milling cutters / patterns upon request.



06. Cut the reinforcement |F|, position it and fasten it with screws.



Profile series  
**IDEAL 4000**

Construction depth  
70mm

Mullions/Transoms  
140x41, 140x47 Transoms

Connector  
Butt joint or cross

ID| - with knobs  
Ø1 647241 without knobs

ID| - with knobs 2)

Ø| - without knobs 2)

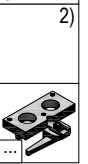
|F| Reinforcements

Auxiliary parts

□ Drilling pattern 4

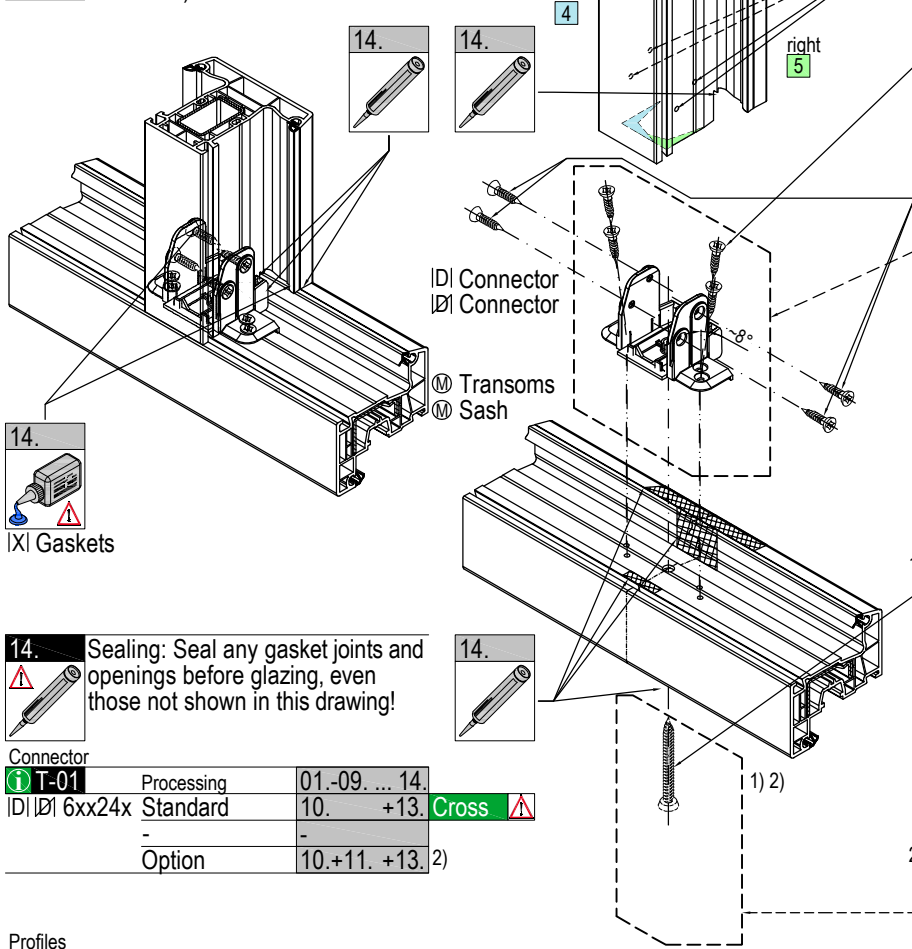
OI 640941 Drilling jig

Step drill



**IF| Reinforcements**

**STOP** Important: Profiles to be connected must be reinforced (provided that they are designed to be reinforced).



09. 2x left + right  
Ø 3.0 4 5  
OI 640941 Drilling jig  
see Drilling pattern ④

13. -> ID| Ø1 6x24x  
Ø 3.0 3  
4x Screw ~ DIN 7504 P ø4.2x19mm  
Drill hole = Option

10. 2x left + right  
Cross ⚠  
10.+13.  
4x Screw ~ DIN 7504 P ø4.2x22mm

08. OMITTED

07. OMITTED

1) Step drill ~ Blind hole  
11. 2)  
Ø 6.5 2  
1x Screw ~ DIN 7981  
④ T-02

12. OMITTED

2) **Butt joint**  
**STOP** For butt joint only, or only 1x on one side for cross joints.  
11. 12.

Connector	Processing	01.-09. ... 14.
④ T-01	Standard	10. +13. <b>Cross</b> ⚠
-	Option	10.+11. +13. 2)

Profiles		11.
④ T-02	screw	
④ Fu(General)		F  ø6.3x32mm

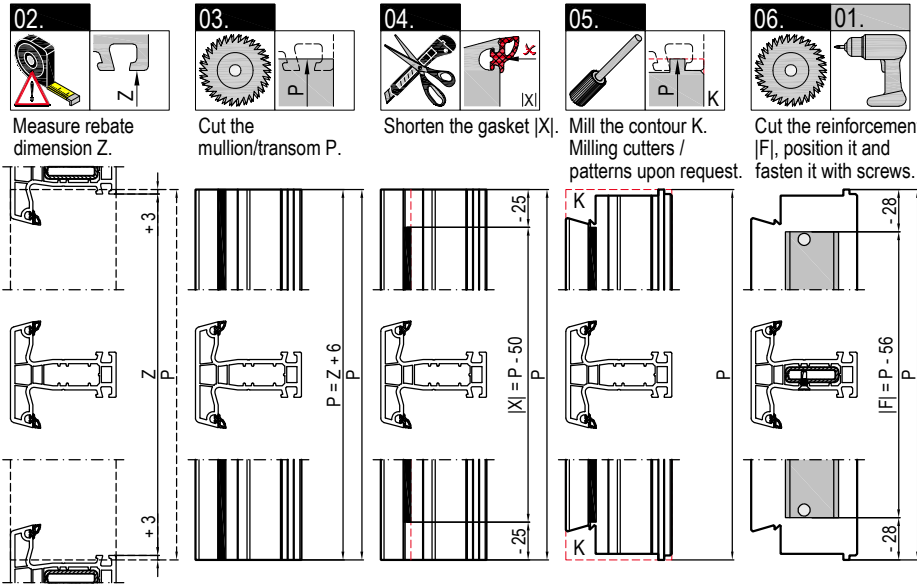
R(frame), Fu(sash reinforced with L or U steel channel), Fo(sash reinforced with O steel channel), P(mullion/transom)

Scale 1:5  
09\_H\_01\_4\*  
en May be subject to change and errors excepted!

Individual Handling

**Connector** ④  
Mechanical Connections  
**Transom 140x41, 140x47**





Profile series  
IDEAL 4000

Construction depth  
70mm

Mullions/Transoms  
140x46 Transoms

Connector  
Butt joint or cross

ID| - with knobs  
Ø1 647105 without knobs

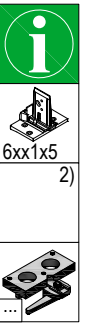
ID| - with knobs 2)

Ø| - without knobs 2)

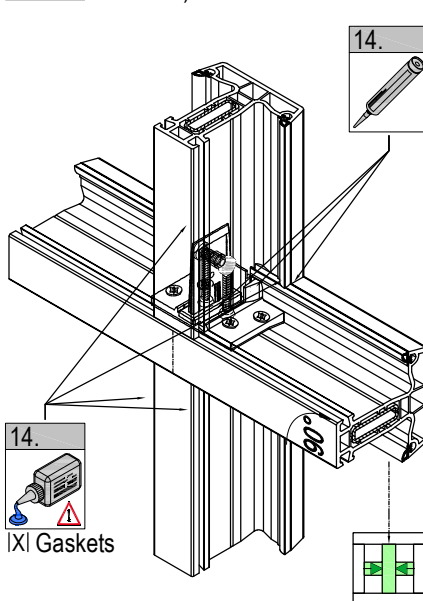
|F| Reinforcements

Auxiliary parts

□ Drilling pattern  
OI 640900 Drilling jig  
Step drill

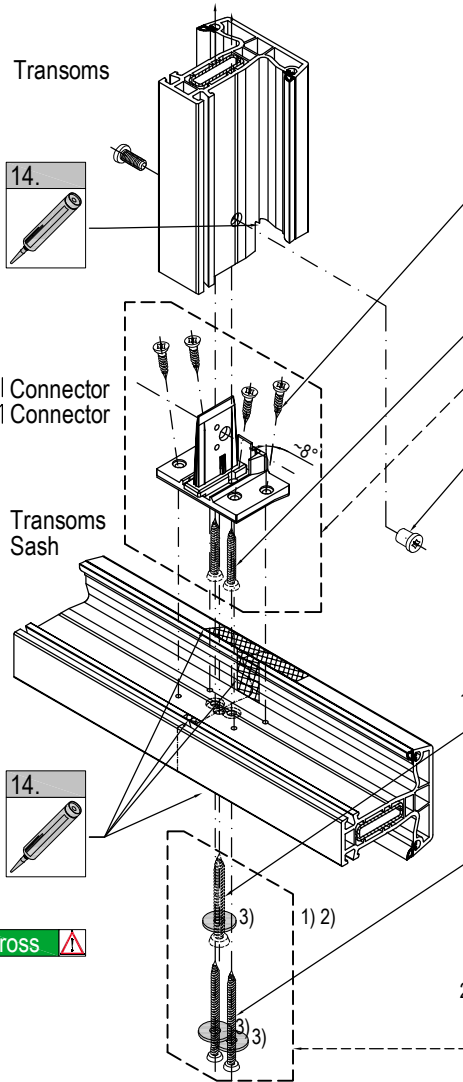


**01.** Important: Profiles to be connected must be reinforced (provided that they are designed to be reinforced).



**14.** Sealing: Seal any gasket joints and openings before glazing, even those not shown in this drawing!

Connector	Processing	01.-09. ... 14.
□ T-01	Standard	10. +13. <b>Cross</b> ⚠
	Option A	12. +13. 2)
	Option B	10.+11. +13. 2)



**09.** OMITTED

**13.** -> ID| Ø1 6x1x5 **T-01**  
 3.0 3 **4x Screw** ~ DIN 7504 P ø4.2x19mm  
 Drill hole = Option

**10.** **Cross** ⚠ **T-01**  
 10.+13. **2x Screw** ~ SPAX / ASSY ø5x60mm

**08.** laterally **1x** e.g. threaded bolt M6x15 e.g. sleeve nut M6x9

**07.** OMITTED

1) Step drill ~ Blind hole **T-01**  
 11. 2) 6.5 2 **1x Screw** ~ DIN 7981 **T-02**  
 OI 640900 Drilling jig

**12.** 2) 5.0 1 **2x Screw** ~ SPAX / ASSY **T-02**

2) **Butt joint** **STOP** For butt joint only, or only 1x on one side for cross joints. 11. 12.

3) -> powerdur inside **11.** **12.**

Profiles	11.	12.
□ T-02 screw		
Fu(General ), P(140x46)	F  ø6.3x32mm	ø5x80mm
R(040x02, 040x92, 140x09), P(140x41, 140x47)	3)  F  ø6.3x38mm	ø5x90mm
R(140... x01, x05, x12, x14, x15, x16, x17, x18, x19, x91)	F  ø6.3x45mm	ø5x90mm
R(040x07, 140x00, 140x07, 140x08)	3)  F  ø6.3x50mm	ø5x100mm
R(140x03), Fo(140x30, 140x31, 140x34), P(140x45)	F  ø6.3x60mm	ø5x110mm
R(140x81), Fo(140x33, 140x35, 140x38)	F  ø6.3x70mm	ø5x120mm
R(frame), Fu(sash reinforced with L or U steel channel), Fo(sash reinforced with O steel channel), P(mullion/transom)		

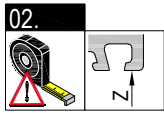
Scale 1:5

09\_H\_01\_4\*

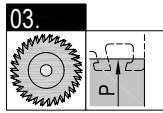
en May be subject to change and errors excepted!

Individual Handling

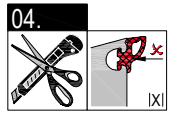
Connector  
Mechanical Connections  
Transom 140x46



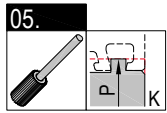
02. Measure rebate dimension Z.



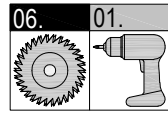
03. Cut the mullion/transom P.



04. Shorten the gasket |X|.

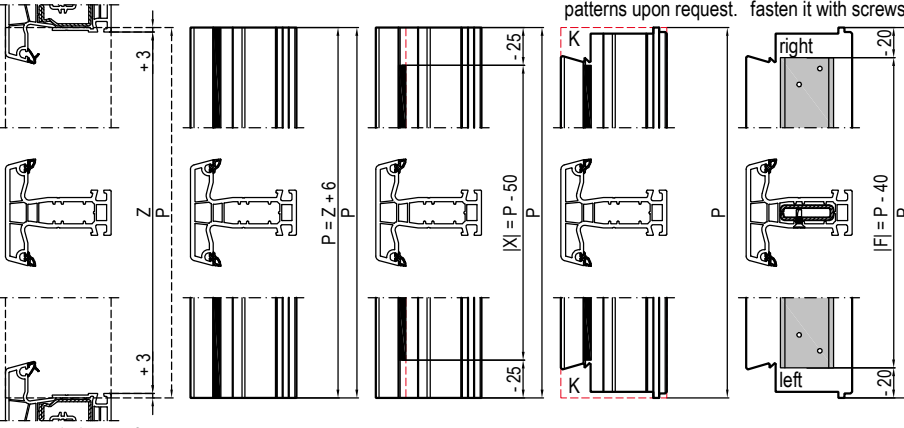
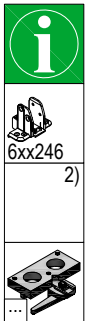


05. Mill the contour K. Milling cutters / patterns upon request.

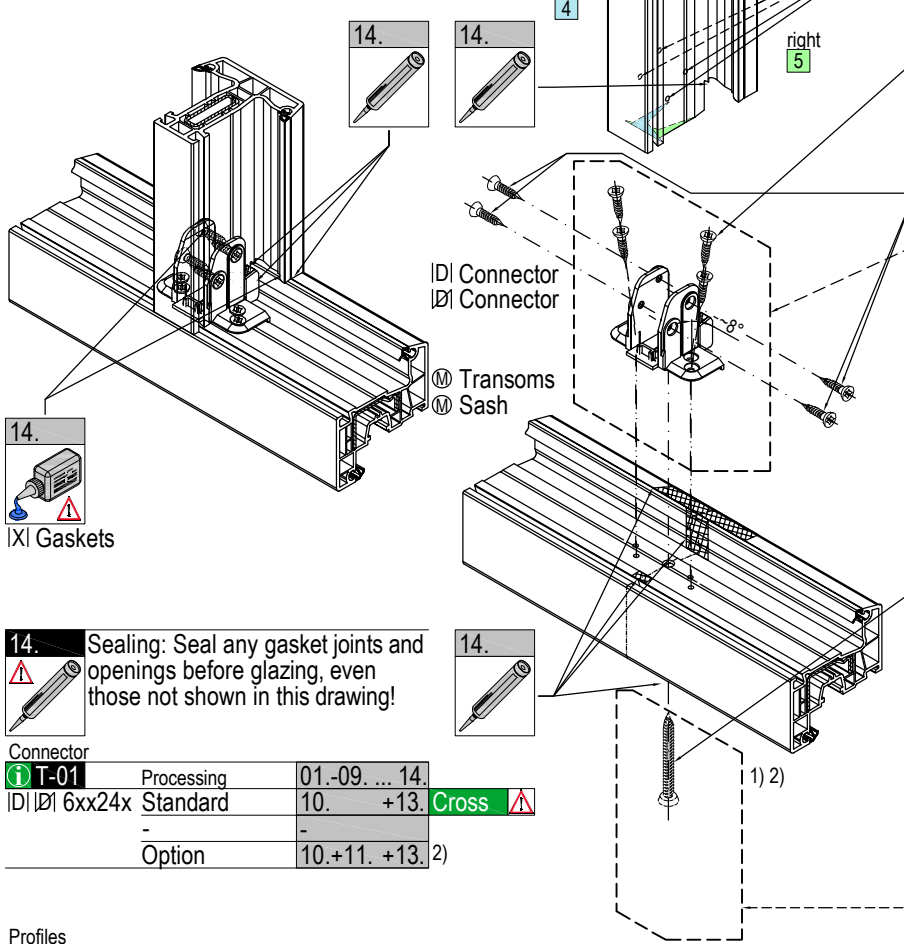


06. Cut the reinforcement |F|, position it and fasten it with screws.

Profile series  
**IDEAL 4000**  
Construction depth  
70mm  
Mullions/Transoms  
140x46 Mullions/Transoms  
Connector  
Butt joint or cross  
ID| - with knobs  
Ø| 647246 without knobs  
ID| - with knobs 2)  
Ø| - without knobs 2)  
|F| Reinforcements  
Auxiliary parts  
□ Drilling pattern 4  
OI 640941 Drilling jig  
Step drill



Important: Profiles to be connected must be reinforced (provided that they are designed to be reinforced).



09. 2x left + right  
3.0 4 5  
OI 640941 Drilling jig  
see Drilling pattern ④

13. -> ID| Ø| 6x24x  
3.0 3  
4x Screw ~ DIN 7504 P ø4.2x19mm  
Drill hole = Option

10. 2x left + right  
Cross 10.+13.  
4x Screw ~ DIN 7504 P ø4.2x19mm

08. OMITTED  
07. OMITTED

1) Step drill ~ Blind hole  
11. 2)  
6.5 2  
1x Screw ~ DIN 7981  
T-02

12. OMITTED  
2) Butt joint  
STOP For butt joint only, or only 1x on one side for cross joints.  
11. 12.

Connector	Processing	01.-09. ... 14.
④ T-01	Standard	10. +13. Cross
	Option	10.+11. +13. 2)

Profiles		
④ T-02	screw	11.
④ Fu(General)		F  ø6.3x32mm

R(frame), Fu(sash reinforced with L or U steel channel), Fo(sash reinforced with O steel channel), P(mullion/transom)

Scale 1:5  
09\_H\_01\_4\*  
en May be subject to change and errors excepted!

Individual Handling

**Connector** ④  
Mechanical Connections  
**Transom 140x46**

### Assembly Instruction Threshold Connector (frame on thresholds)

- [1] Cut the reinforced frame at the bottom to 90° and weld the frame on three sides: H (element height) -20mm.
- [2] Cut the threshold to length: B (element width) -10mm (2x -5mm).
- [3] Screw the threshold connector laterally to the threshold.
- [4] Screw the threshold connector from above to the threshold [4a], where needed, pre-drill [4b].
- [5] Place the welded frame (optionally with the already mounted mullion: refer to Assembly Instruction Mullion Coupler) on the threshold with the mounted threshold connector.
- [6] Screw the threshold connector to the back of the door frame box.
- [7] Screw the threshold connector to the frame rebate.
- [8] Insert the windstop |X| 4xxx91 into the frame (optionally into the mounted mullion: refer to Assembly Instruction Mullion Coupler) and accordingly, insert the windstop |X| 4xxx92 into the sash opposite (Refer to manual Additional Profiles / Accessories, chapter 05 X Gaskets).

### Profile series

IDEAL 4000	
IDEAL 5000	
Construction depth	70mm
Frame	
IFI Reinforcements	
<input checked="" type="checkbox"/> powerdur inside	
Threshold connector	
VI 646022 Set	040x02 <input checked="" type="checkbox"/>
VI 646070 Set	140x08 <input checked="" type="checkbox"/>
VI 646071 Set	040x07 <input checked="" type="checkbox"/>
	140x07 <input checked="" type="checkbox"/>
	150x02 <input checked="" type="checkbox"/>
VI 646072 Set	140x03 <sup>1)</sup> <input checked="" type="checkbox"/>
	050x03 <input checked="" type="checkbox"/>
	150x03 <input checked="" type="checkbox"/>



1x (l+r)

### Aluminium thresholds

UI 249060 h= 20mm	70mm
UI 269060 h= 20mm	85mm
UI 249058 h= 20mm	120mm

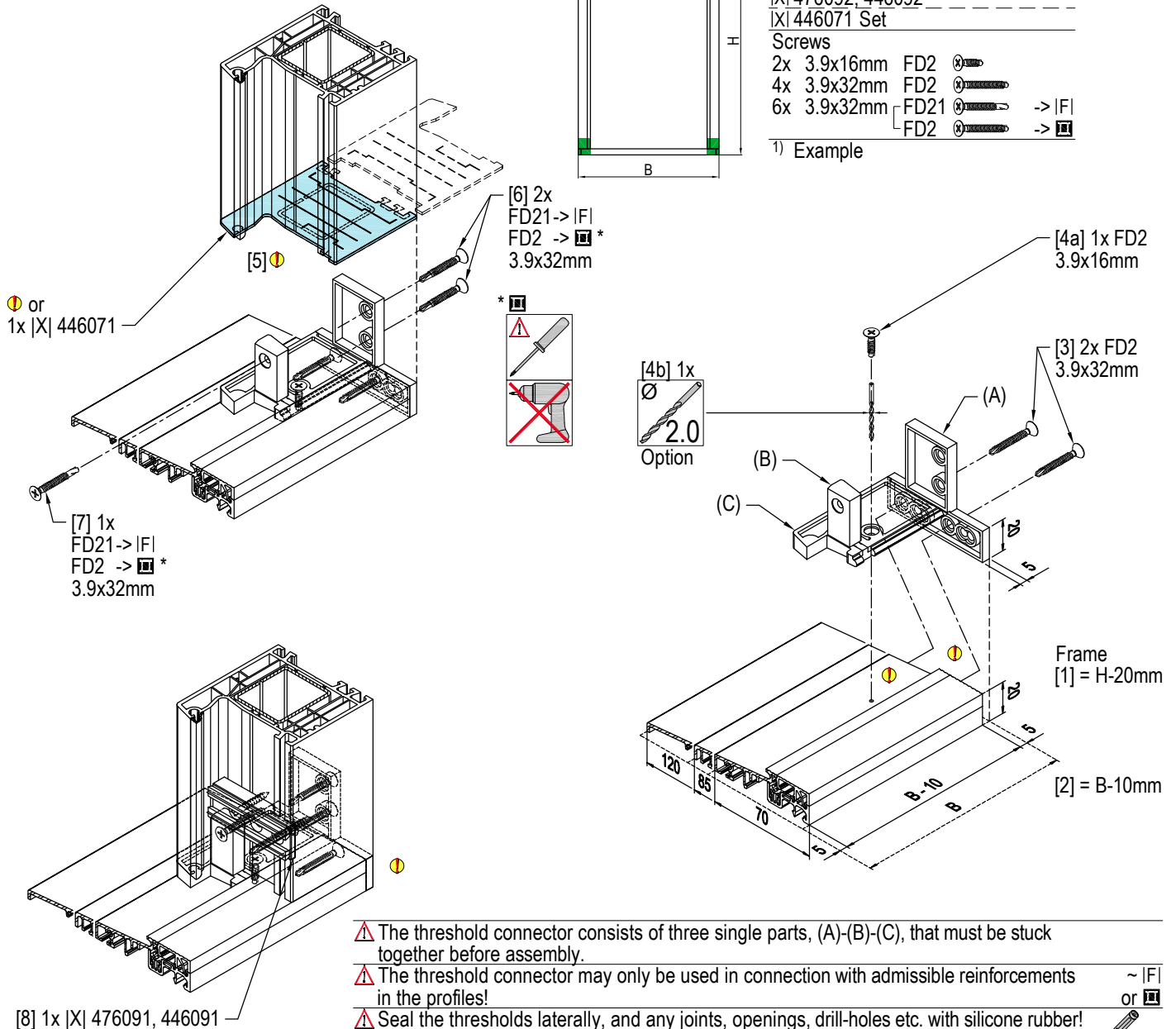
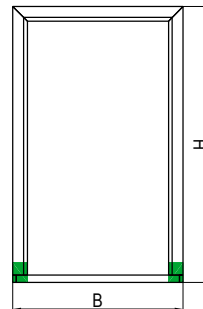
### Gaskets

IXI 476091, 446091	
IXI 476092, 446092	
IXI 446071 Set	

### Screws

2x 3.9x16mm	FD2		
4x 3.9x32mm	FD2		
6x 3.9x32mm	FD21		->  FI
	FD2		-> <input checked="" type="checkbox"/>

1) Example



**⚠** The threshold connector consists of three single parts, (A)-(B)-(C), that must be stuck together before assembly.

**⚠** The threshold connector may only be used in connection with admissible reinforcements in the profiles! ~ |FI|  
or

**⚠** Seal the thresholds laterally, and any joints, openings, drill-holes etc. with silicone rubber!

### Assembly Instruction Threshold Connector (frame on thresholds)

- [1] Cut the reinforced frame at the bottom to 90° and weld the frame on three sides: H (element height) -20mm.
- [2] Cut the threshold to length: threshold = B (element width).
- [3] Place the threshold connector in the threshold.
- [4] Screw the threshold connector from above to the threshold [4a], where needed, pre-drill [4b].
- [5] Place the welded frame (optionally with the already mounted mullion: refer to Assembly Instruction Mullion Coupler) on the threshold with the mounted threshold connector.
- [6] Screw the threshold connector to the back of the door frame box.
- [7] Screw the threshold connector to the frame rebate.
- [8] Insert the windstop |X| 4xxx91 into the frame (optionally into the mounted mullion: refer to Assembly Instruction Mullion Coupler) and accordingly, insert the windstop |X| 4xxx92 into the sash opposite (Refer to manual Additional Profiles / Accessories, chapter 05 X Gaskets).

### Profile series

IDEAL 4000  
IDEAL 5000

### Construction depth

70mm Frame

### |FI| Reinforcements

powerdur inside

### Threshold connector

|VI| 646078 Set 140x81<sup>1)</sup> |FI|

|VI| 656078 Set 050x04

### Aluminium thresholds

|UI| 249060 h= 20mm 70mm

|UI| 269060 h= 20mm 85mm

|UI| 249058 h= 20mm 120mm

### Gaskets

|XI| 476091, 446091

|XI| 476092, 446092

### Screws

4x 3.9x16mm FD2

2x 3.9x32mm [FI] -> |FI|

[FI] ->

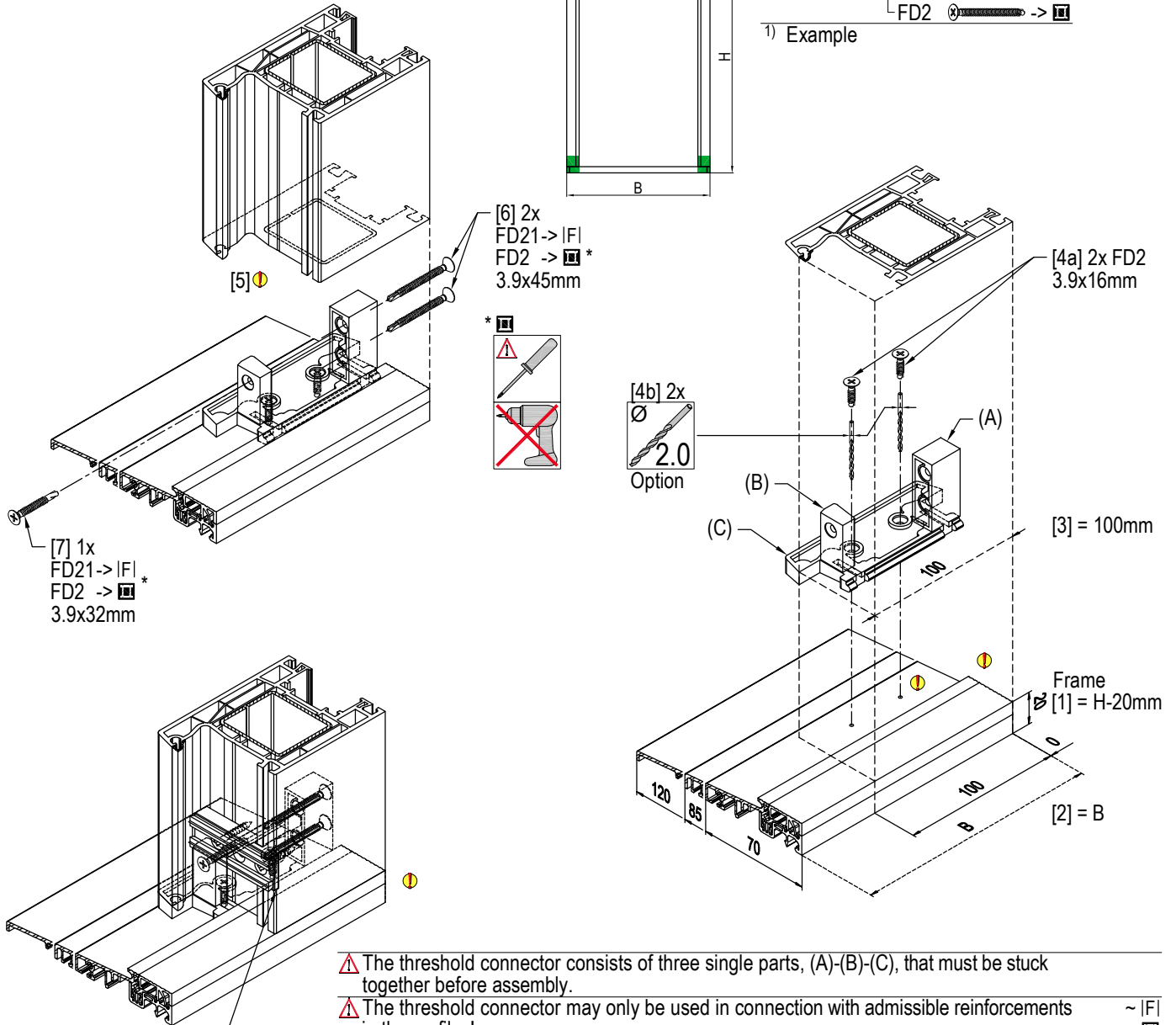
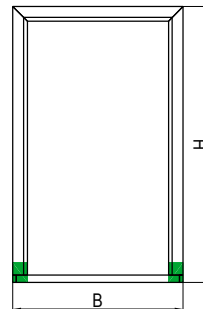
4x 3.9x45mm [FI] -> |FI|

[FI] ->

<sup>1)</sup> Example



1x (l+r)



The threshold connector consists of three single parts, (A)-(B)-(C), that must be stuck together before assembly.

The threshold connector may only be used in connection with admissible reinforcements in the profiles! ~ |FI| or

Seal the thresholds laterally, and any joints, openings, drill-holes etc. with silicone rubber!



### Assembly Instruction Threshold Connector (frame on thresholds)

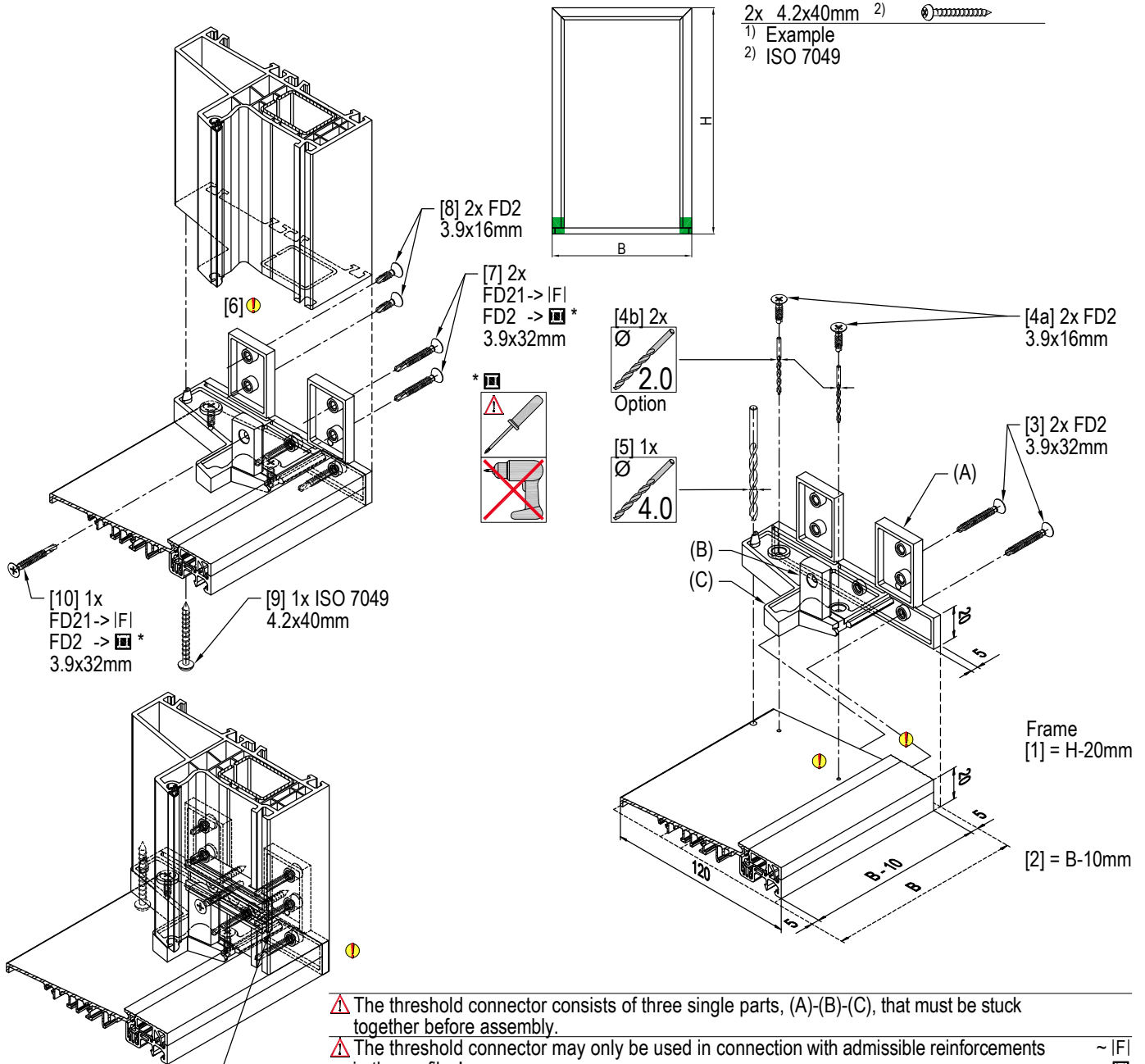
- [1] Cut the reinforced frame at the bottom to 90° and weld the frame on three sides: H (element height) -20mm.
- [2] Cut the threshold to length: B (element width) -10mm (2x -5mm).
- [3] Screw the threshold connector laterally to the threshold.
- [4] Screw the threshold connector from above to the threshold [4a], where needed, pre-drill [4b].
- [5] Drill through the threshold and the threshold connector.
- [6] Place the welded frame (optionally with the already mounted mullion: refer to Assembly Instruction Mullion Coupler) on the threshold with the mounted threshold connector.
- [7] Screw the threshold connector to the back of the door frame box.
- [8] Screw the threshold connector to the back of the door frame box. (Door case)
- [9] Screw the frame from below through the threshold and the threshold connector.
- [10] Screw the threshold connector to the frame rebate.
- [11] Insert the windstop |X| 4xxx91 into the frame (optionally into the mounted mullion: refer to Assembly Instruction Mullion Coupler) and accordingly, insert the windstop |X| 4xxx92 into the sash opposite (Refer to manual Additional Profiles / Accessories, chapter 05 X Gaskets).

### Profile series

IDEAL 4000	
Construction depth	70mm (120mm) Frame
IFI Reinforcements	<input checked="" type="checkbox"/> powerdur inside
Threshold connector	
VI 646076 Set	140x91 <sup>1)</sup>  FI
VI 646079 Set	040x92 <input checked="" type="checkbox"/>
Aluminium thresholds	
UI 249058 h= 20mm	120mm
Gaskets	
IXI 476091, 446091	
IXI 476092, 446092	
Screws	
8x 3.9x16mm	FD2
4x 3.9x32mm	FD2
6x 3.9x32mm	FD21  ->  FI
	FD2  -> <input checked="" type="checkbox"/>
2x 4.2x40mm	<sup>2)</sup>



1x (l+r)



- The threshold connector consists of three single parts, (A)-(B)-(C), that must be stuck together before assembly.
- The threshold connector may only be used in connection with admissible reinforcements in the profiles! ~ |FI  
or
- Seal the thresholds laterally, and any joints, openings, drill-holes etc. with silicone rubber!

Scale 1:4

09\_J\_01\_4\*

en May be subject to change and errors excepted!

Individual Handling  
(MB) Monobloc

Thresholds/Doors  
Threshold connector 646076, 646079

### Assembly Instruction Mullion Coupler (mullion on thresholds)

- [1] Prepare the frame and the threshold connector. Refer to Assembly Instruction Threshold Connector.
- [2] Cut the reinforced mullion profile at the bottom to 90°: H (element height) -20mm. Observe the deduction dimensions for the top: see the manual "Handling", chapter 09 H Mechanical Connections between mullion and frame.
- [3] Screw the mullion coupler from above to the threshold [2a], where needed, pre-drill [2b].
- [4] Mount the mullion with the coupler into the top crosspiece of the welded frame: Refer to chapter 09 H Mechanical Connections for further information.
- [5] Place the welded frame with the already mounted mullion on the threshold with the mounted mullion coupler.
- [6] Screw the frame to the threshold connector [6a] + [6b]. Refer to Assembly Instruction Threshold Connector.
- [7] Screw the mullion coupler to the mullion rebate on the left [7a] and right [7b] side.
- [8] (Not applicable in the case of fixed elements) Insert the windstop [X] 4xxx91 into the mullion and accordingly, insert the windstop [X] 4xxx92 into the sash opposite (Refer to manual Additional Profiles / Accessories, chapter 05 X Gaskets).

### Profile series

IDEAL 4000  
IDEAL 5000

Construction depth	
70mm	Mullion

FI  Reinforcements			
Mullion coupler			
M 646073 Set	---	140x47	FI
M 646074 Set	---	140x41	FI
M 646075 Set	---	140x45 <sup>1)</sup>	FI
		150x44	FI

Aluminium thresholds	
IUI 249060 h= 20mm	70mm
IUI 269060 h= 20mm	85mm
IUI 249058 h= 20mm	120mm

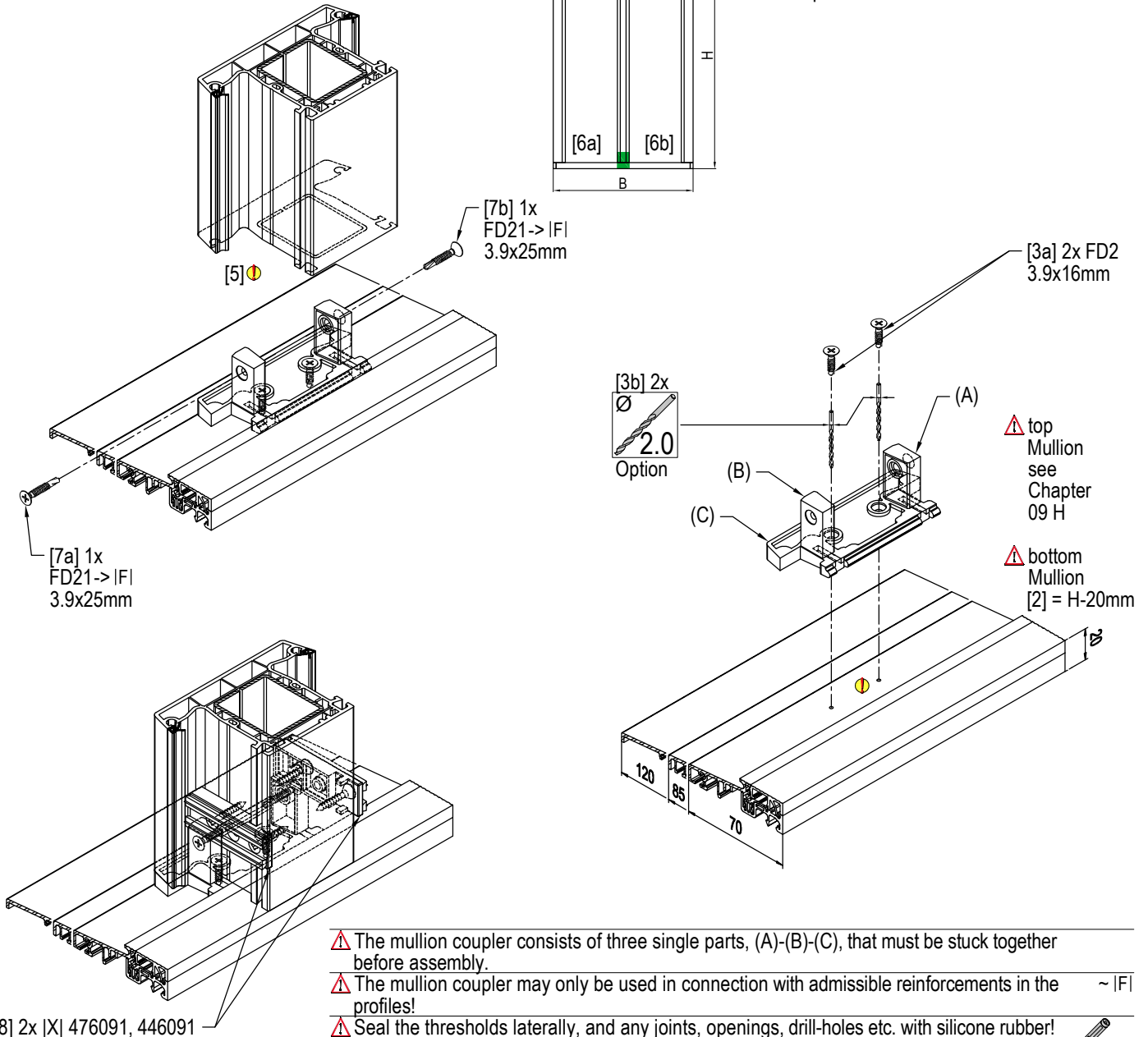
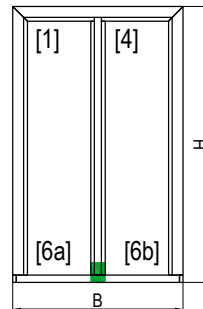
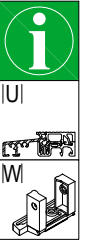
### Gaskets

|X| 476091, 446091  
|X| 476092, 446092

### Screws

2x 3.9x16mm FD2   
2x 3.9x25mm FD21 -> |FI|

<sup>1)</sup> Example



- The mullion coupler consists of three single parts, (A)-(B)-(C), that must be stuck together before assembly.
- The mullion coupler may only be used in connection with admissible reinforcements in the profiles! ~ |FI|
- Seal the thresholds laterally, and any joints, openings, drill-holes etc. with silicone rubber!

Assembly Instruction Adapter on Thresholds (opening outwards)  
 [1] Refer to Assembly Instruction Threshold Connector.  
 [2] Refer to Assembly Instruction Mullion Coupler.

Profile series  
 IDEAL 4000 opening outwards

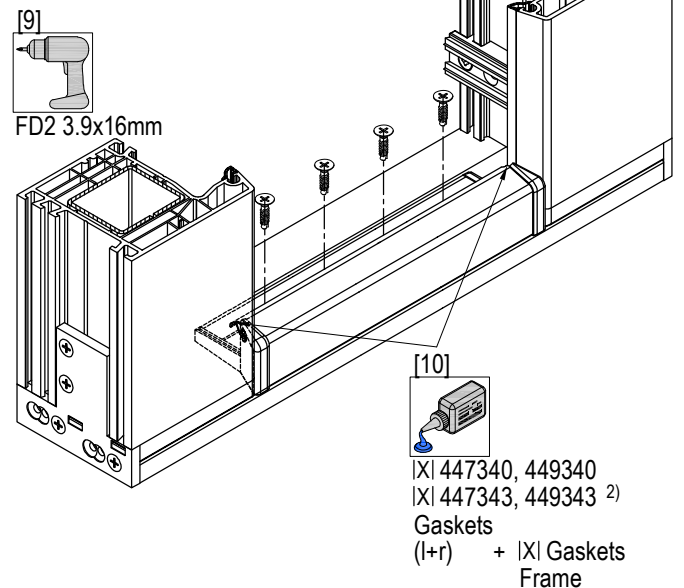
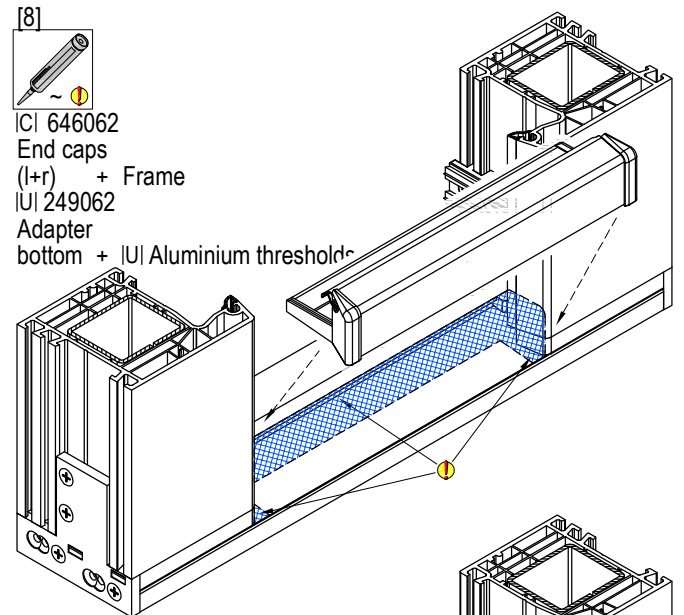
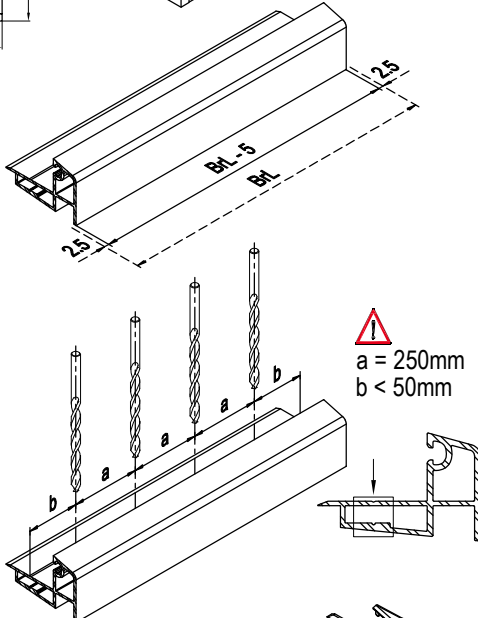
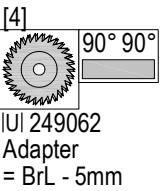
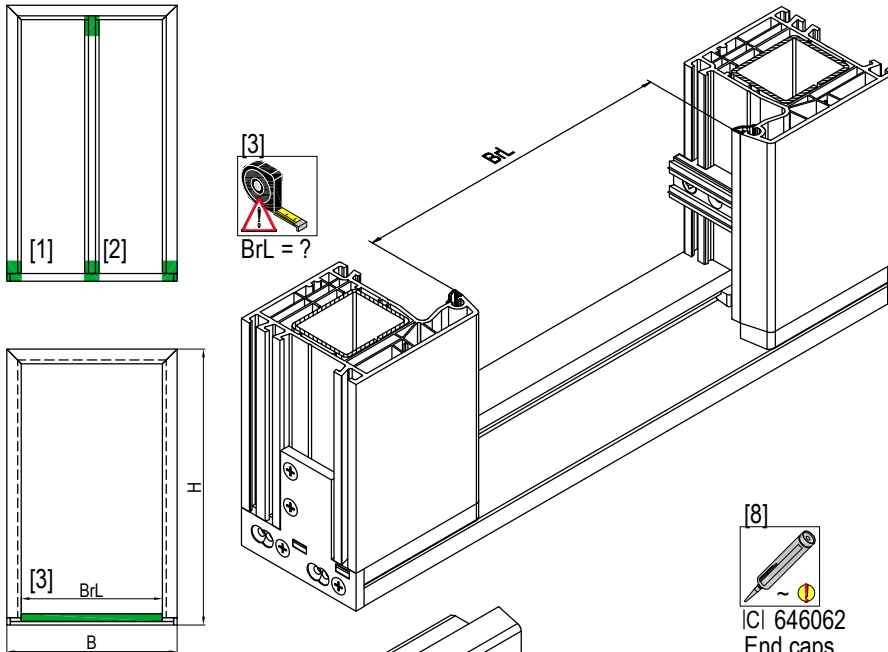
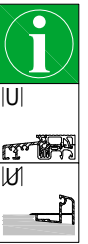
Construction depth	Sash
70mm	Mullion
70mm	Frame
70mm, 120mm	

Aluminium thresholds	
UI 249060 h= 20mm	70mm <sup>1)</sup>
UI 269060 h= 20mm	85mm
UI 249058 h= 20mm	120mm
UI 249062 <sup>1)</sup>	Adapter
ICI 646062 <sup>1)</sup>	End caps
XI 447340, 449340 <sup>1)</sup>	Gaskets
XI 447343, 449343 <sup>2)</sup>	

VI Threshold connector	...
VI 646072 <sup>1)</sup>	140x03 <sup>1)</sup>
W Mullion coupler	...

Screws  
 ... 3.9x16mm FD2

<sup>1)</sup> Example  
<sup>2)</sup> -> Residential door



Seal the thresholds laterally, and any joints, openings, drill-holes etc. with silicone rubber!

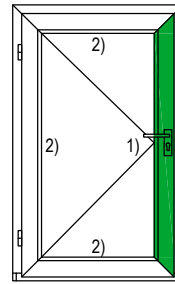
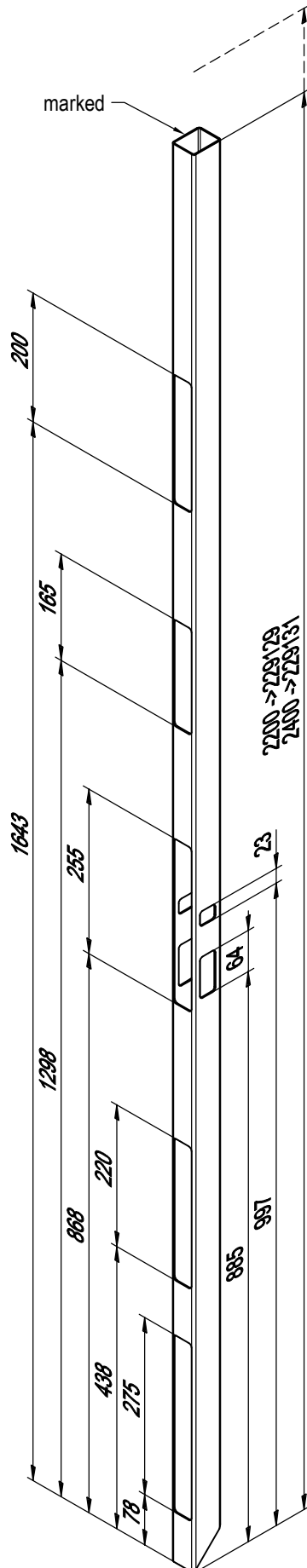
Scale 1:2/1:4

09\_J\_01\_4\*

en May be subject to change and errors excepted!

Individual Handling  
 Adapter

Thresholds/Doors  
 Aluminium thresholds 249062



Profile series

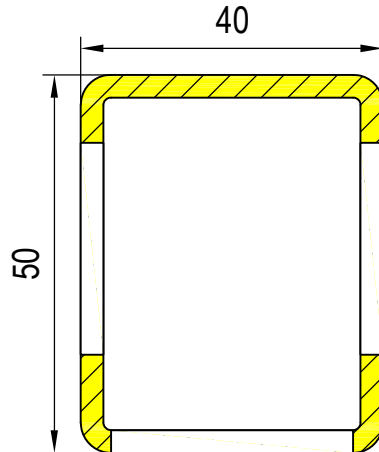
Construction depth  
Sash

IDEAL 2000	60mm	120x33	IFI
		120x35	IFI
IDEAL 4000	70mm	140x33	IFI
		140x35	IFI



IFI Reinforcements

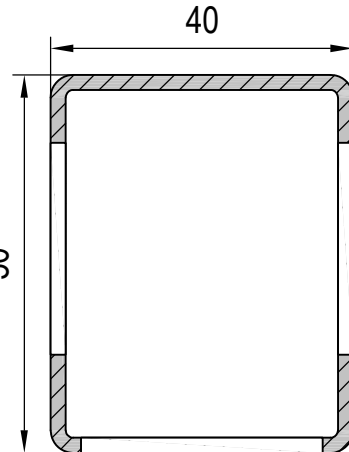
- 1) Lock side
- 2) Hinge side



IFI 229131 1) Lock side  
3-5x punched-out  
s=3.0mm 11.8/16.8cm4  
l= 2400mm, marked in yellow  
universally applicable

IFI 229126 2) Hinge side  
Weldable corner connector  
IEI 620126

Auxiliary parts  
IOI 640938 -> IEI



IFI 229129 1) Lock side  
3-5x punched-out  
s=2.0mm 8.5/12.1cm4  
l= 2200mm, unmarked  
universally applicable

IFI 229125 2) Hinge side  
Weldable corner connector  
IEI 620125

Auxiliary parts  
IOI 640938 -> IEI



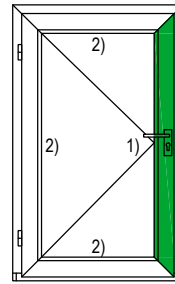
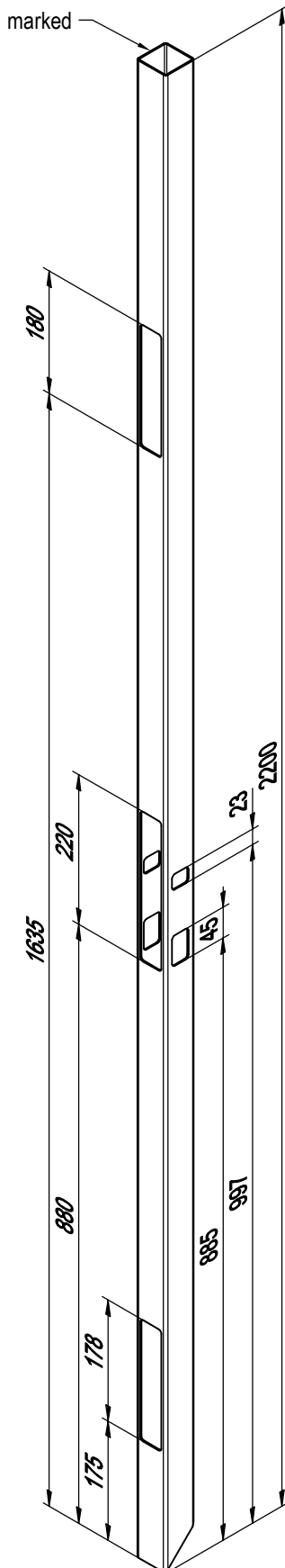
Compatible residential door hardware: Many of the customary and commercially available standard fittings for residential doors, distributed by the recognized hardware manufacturers, can be used. For detailed descriptions of the different fitting types, please refer to the corresponding hardware manual. Check the fittings' compatibility in any case! In case of doubt, please contact your hardware manufacturer!

Note: The false mullion possibly needs to be cut!

Examples for admissible hardware (subject to change, errors excepted!):

- > 3x punched-out  
FUHR ->855GL  
GU ->Secury SH2; SH4; DR  
KFV / Siegenia AUBI ->B001:e.g. AS 2300; AS 2300  
ROTO ->V02/03:e.g. MVZ 500 V3; MVZ 400 V3 / 752 upper dimension  
WINKHAUS ->F1880/M; STV-F1660/D 92/... M2; STV-F1607/D 92/... B2
- > 5x punched-out  
GU ->Secury Auto; SB2; SR2  
KFV / Siegenia AUBI ->AS 2304: 45/88; 45/88 W54; 45/92; 45/92 W54  
MACO ->G-TS: 45/88 2B; 45/88 2B 2VZ; 45/88 4B  
ROTO ->MVZ 400: 45/92 V3 2B; 45/92 4B 20-22; 45/88 V3 2B; 45/88 4B 20-22  
SCHÜRING ->DVMP16; SVMG; SVMP; ZVMP16  
WINKHAUS ->STV: F1660 45/92 M2; F1660 45/92 M4; FGT1660 45/92 M4





Profile series

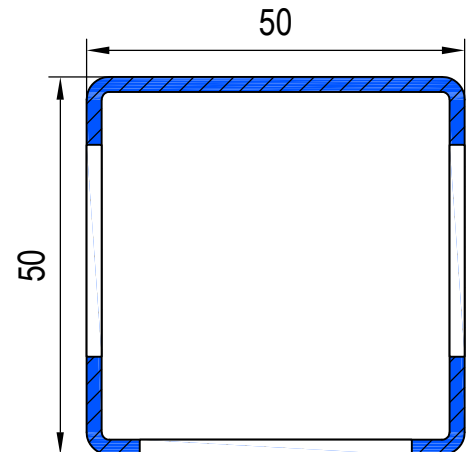
Construction depth  
Sash

IDEAL 4000	70mm	140x38	IFI
IDEAL 7000	85mm	170x33	IFI
		170x35	IFI
		170x39	IFI



IFI Reinforcements

- 1) Lock side
- 2) Hinge side



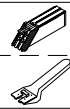
IFI 229137 <sup>1)</sup> Lock side  
3x punched-out  
s=2.0mm 14.4/14.4cm<sup>4</sup>  
l= 2200mm, marked in blue  
universally applicable

IFI 229135 <sup>2)</sup> Hinge side

Weldable corner connector  
IEI 640038

Auxiliary parts

IOI 640938 -> IEI



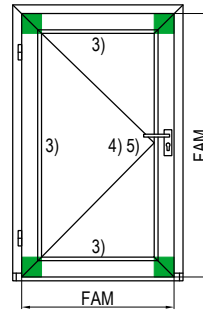
Compatible residential door hardware: Many of the customary and commercially available standard fittings for residential doors, distributed by the recognized hardware manufacturers, can be used. For detailed descriptions of the different fitting types, please refer to the corresponding hardware manual. Check the fittings' compatibility in any case! In case of doubt, please contact your hardware manufacturer!

Note: The false mullion possibly needs to be cut!

Examples for admissible hardware (subject to change, errors excepted!):

- > 3x punched-out
- FUHR ->855GL
- GU ->Secury SH2; SH4; DR
- KFV / Siegenia AUBI ->B001:e.g. AS 2300; AS 2300
- ROTO ->V02/03:e.g. MVZ 500 V3; MVZ 400 V3 / 752 upper dimension
- WINKHAUS ->F1880/M; STV-F1660/D 92/... M2; STV-F1607/D 92/... B2

## Assembly Instruction Corner connector



### Profile series

### Construction depth

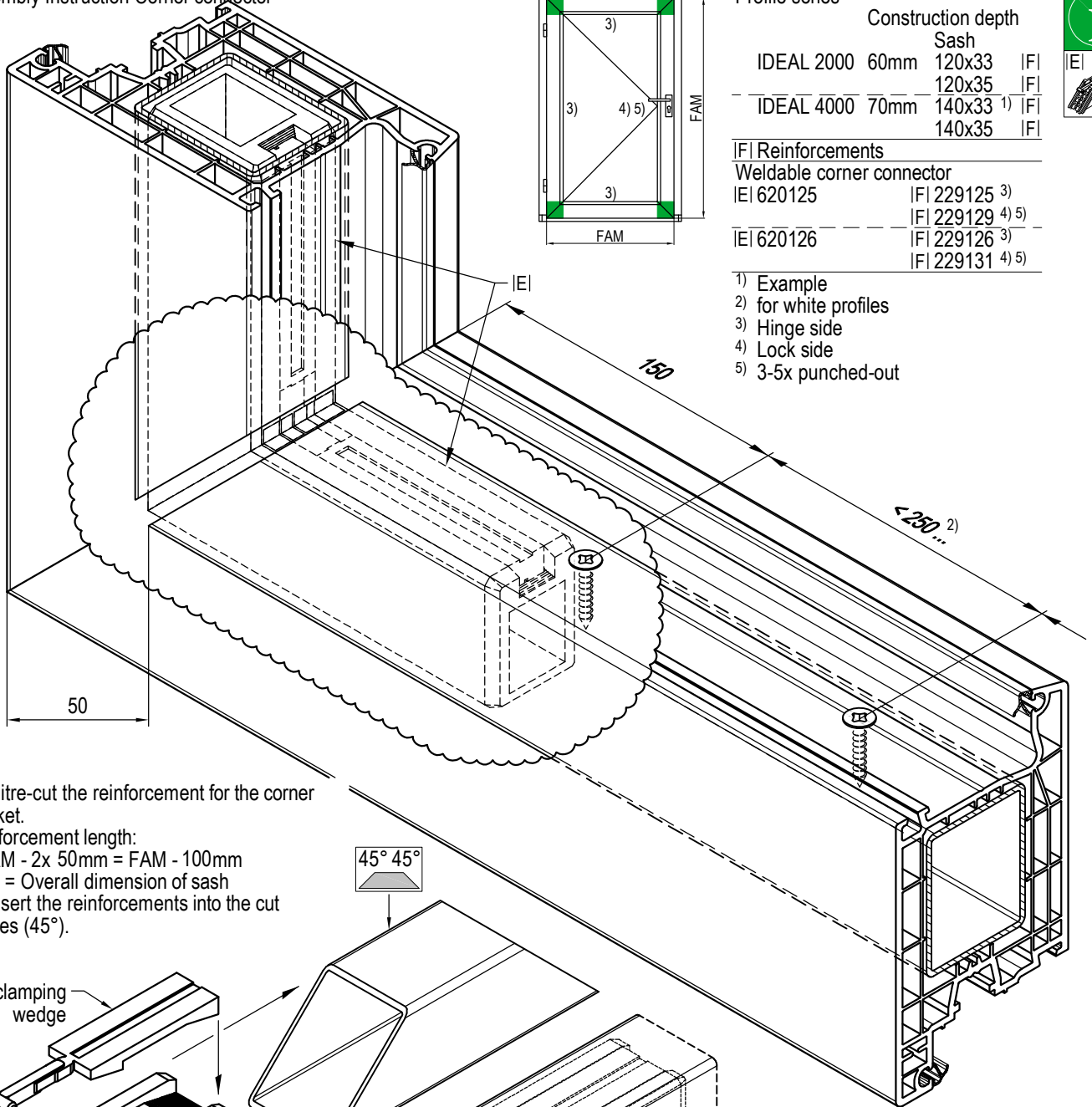
Profile series	Construction depth	Sash	IF
IDEAL 2000	60mm	120x33	IF
		120x35	IF
IDEAL 4000	70mm	140x33 <sup>1)</sup>	IF
		140x35	IF

### IF Reinforcements

#### Weldable corner connector

IEI 620125	IF 229125 <sup>3)</sup>
	IF 229129 <sup>4) 5)</sup>
IEI 620126	IF 229126 <sup>3)</sup>
	IF 229131 <sup>4) 5)</sup>

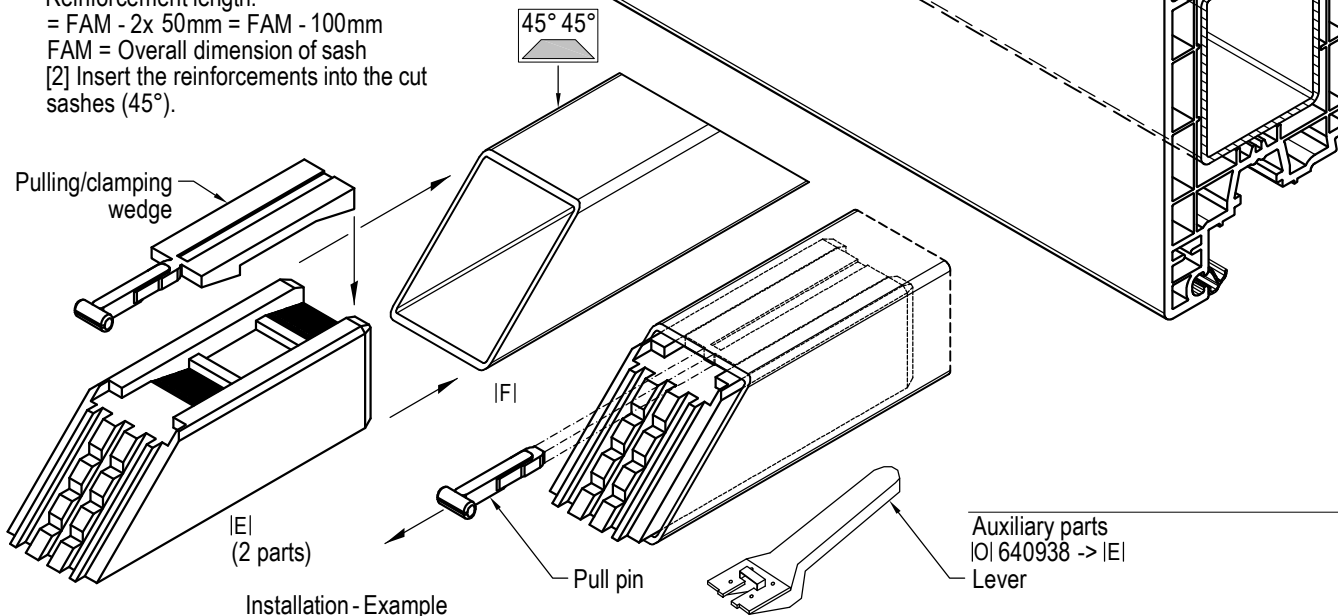
- 1) Example
- 2) for white profiles
- 3) Hinge side
- 4) Lock side
- 5) 3-5x punched-out



[1] Mitre-cut the reinforcement for the corner bracket.

Reinforcement length:  
= FAM - 2x 50mm = FAM - 100mm  
FAM = Overall dimension of sash

[2] Insert the reinforcements into the cut sashes (45°).



[3] Insert the corner bracket (consisting of pulling/clamping wedge and connector) into the reinforcement located in the profile.

[4] The corner connector must be flush with the sash's cutting edge.

[5] Position and fix the corner bracket on both sides in the reinforcement. Clamp the pulling/clamping wedge with the lever 640938 (give a jerk to the pull-pin) to make sure that the bracket is very tight. The pin should break off due to the jerk.

[6] Weld the sash profiles including the bracket and the reinforcement.

## Assembly Instruction Corner connector

Profile series

Construction depth

Profile series	Construction depth	Sash	Reinforcement
IDEAL 4000	70mm	140x30 <sup>1)</sup>	FI
		140x31	FI
		140x77	FI
IDEAL 5000	70mm	150x30	FI
		150x31	FI
IDEAL 8000	85mm	180x30	FI
		180x31	FI



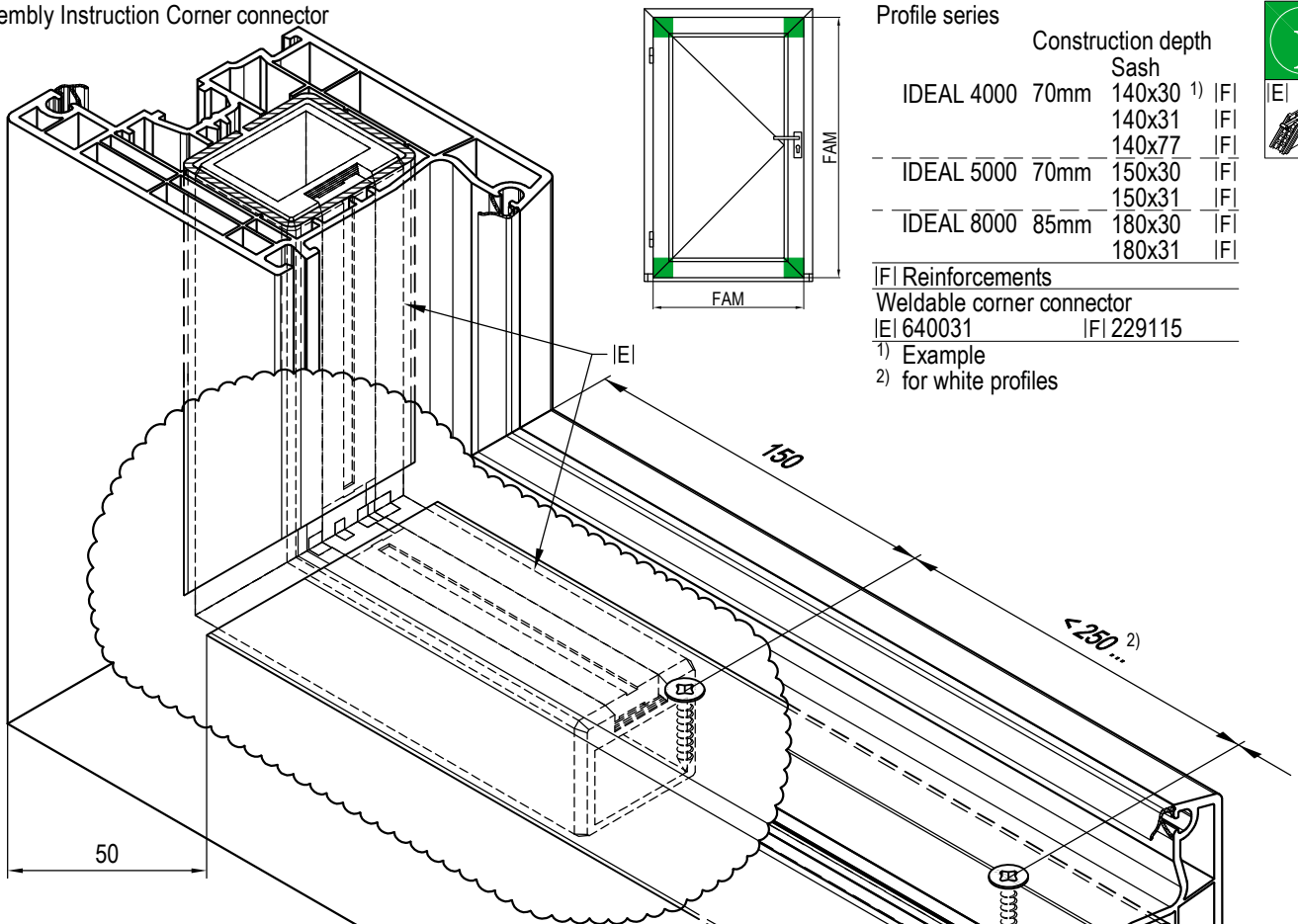
|FI Reinforcements

Weldable corner connector

|EI 640031 |FI 229115

<sup>1)</sup> Example

<sup>2)</sup> for white profiles

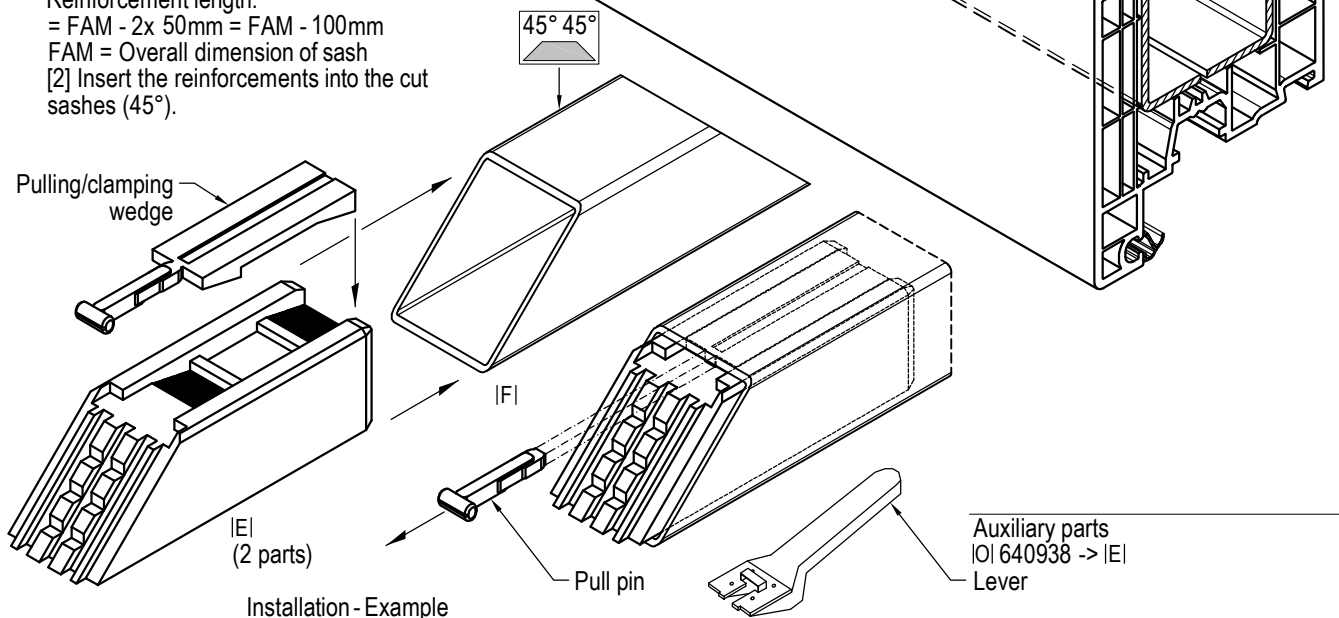


[1] Mitre-cut the reinforcement for the corner bracket.

Reinforcement length:  
= FAM - 2x 50mm = FAM - 100mm

FAM = Overall dimension of sash

[2] Insert the reinforcements into the cut sashes (45°).



[3] Insert the corner bracket (consisting of pulling/clamping wedge and connector) into the reinforcement located in the profile.

[4] The corner connector must be flush with the sash's cutting edge.

[5] Position and fix the corner bracket on both sides in the reinforcement. Clamp the pulling/clamping wedge with the lever 640938 (give a jerk to the pull-pin) to make sure that the bracket is very tight. The pin should break off due to the jerk.

[6] Weld the sash profiles including the bracket and the reinforcement.

Scale

09\_J\_01\_4\*

en May be subject to change and errors excepted!

Individual Handling

Thresholds/Doors

## Weldable corner connector 640031

## Assembly Instruction Corner connector

Profile series

Construction depth

IDEAL 4000 70mm 140x34 <sup>1)</sup> |FI|  
140x84 |FI|

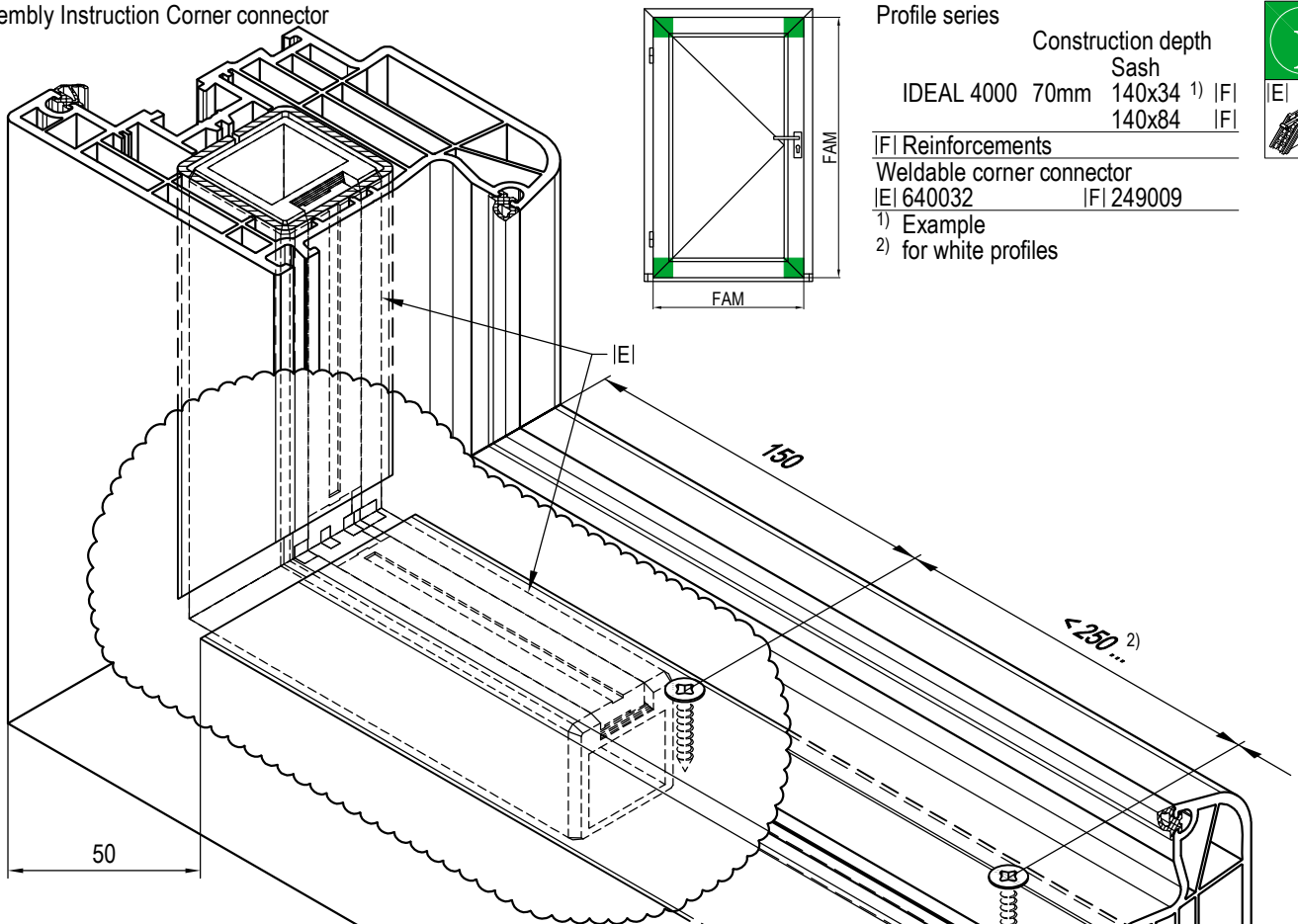
|FI| Reinforcements

Weldable corner connector

|EI| 640032 |FI| 249009

<sup>1)</sup> Example

<sup>2)</sup> for white profiles

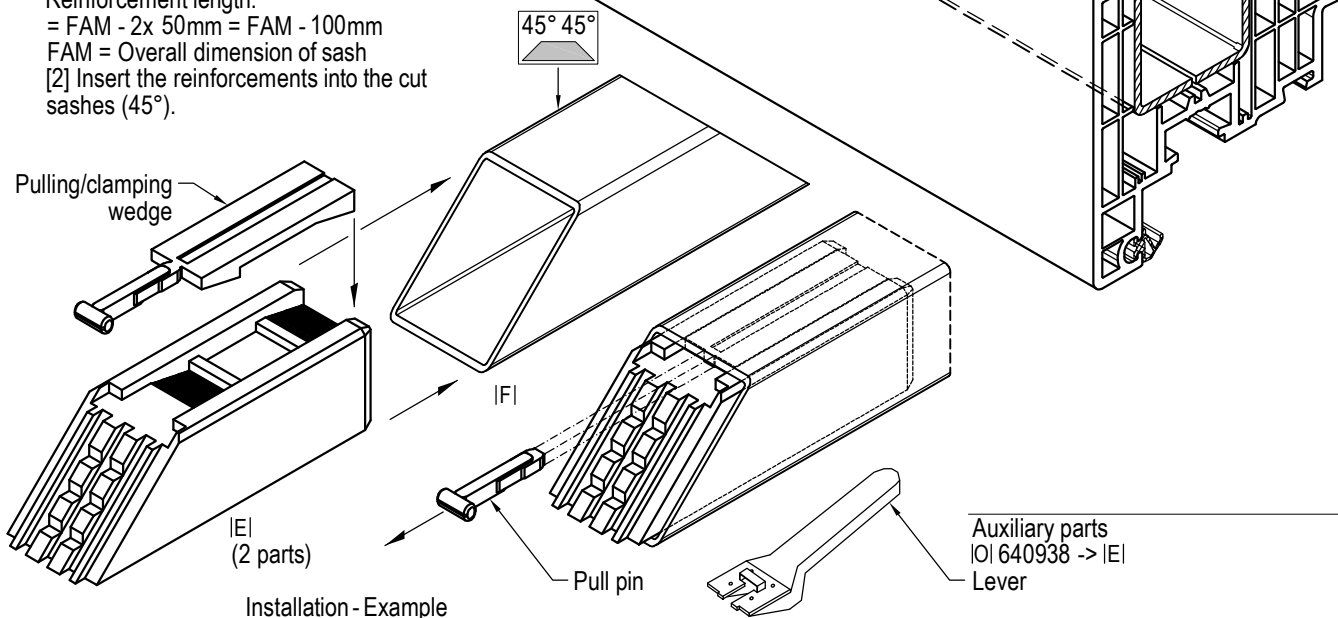


[1] Mitre-cut the reinforcement for the corner bracket.

Reinforcement length:  
= FAM - 2x 50mm = FAM - 100mm

FAM = Overall dimension of sash

[2] Insert the reinforcements into the cut sashes (45°).



[3] Insert the corner bracket (consisting of pulling/clamping wedge and connector) into the reinforcement located in the profile.

[4] The corner connector must be flush with the sash's cutting edge.

[5] Position and fix the corner bracket on both sides in the reinforcement. Clamp the pulling/clamping wedge with the lever 640938 (give a jerk to the pull-pin) to make sure that the bracket is very tight. The pin should break off due to the jerk.

[6] Weld the sash profiles including the bracket and the reinforcement.

Scale

09\_J\_01\_4\*

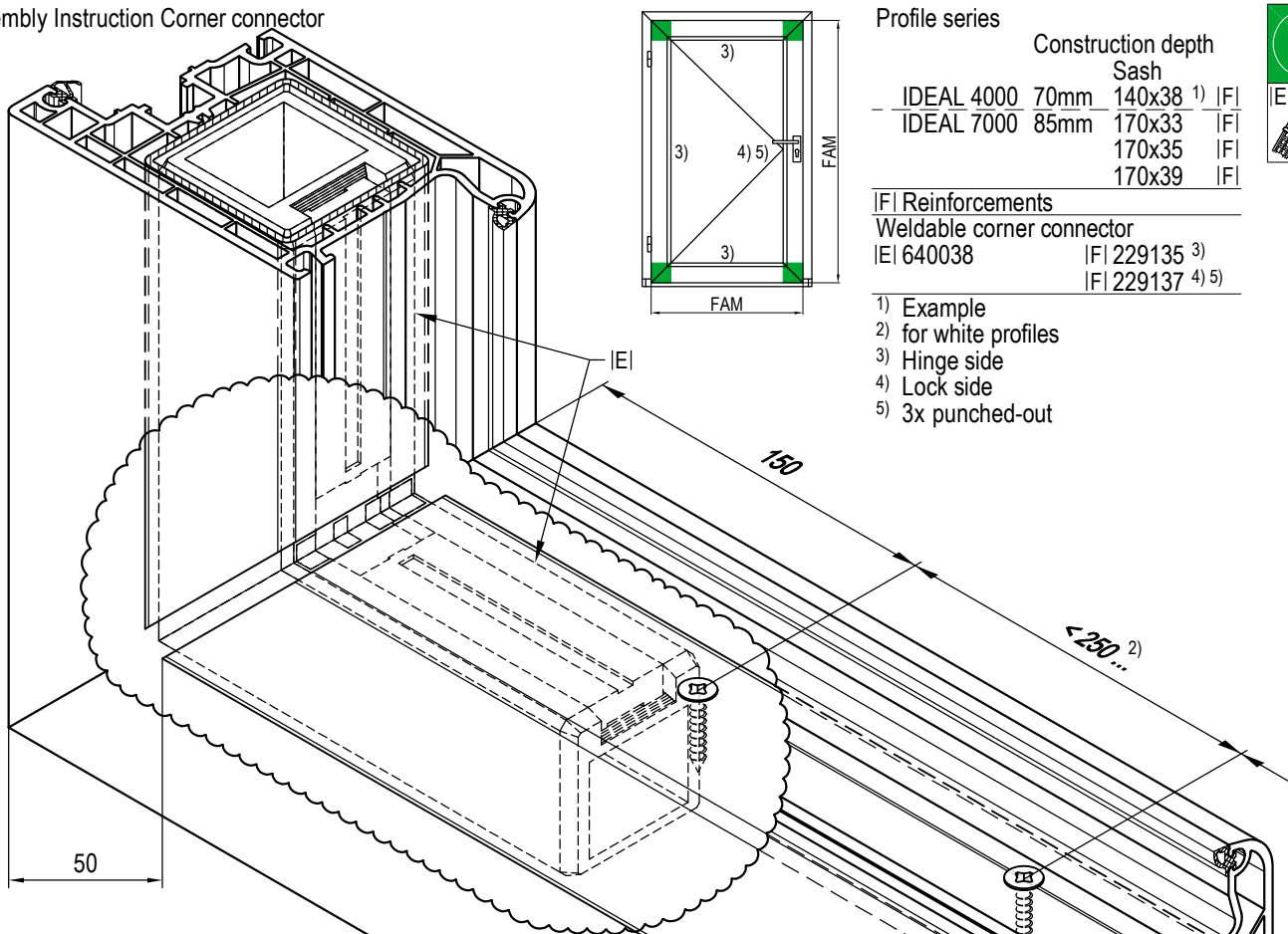
en May be subject to change and errors excepted!

Individual Handling

Thresholds/Doors

Weldable corner connector 640032

Assembly Instruction Corner connector



Profile series

Construction depth

Profile series	Construction depth	Sash	Reinforcement
IDEAL 4000	70mm	140x38 <sup>1)</sup>	FI
IDEAL 7000	85mm	170x33	FI
		170x35	FI
		170x39	FI



|FI| Reinforcements

Weldable corner connector

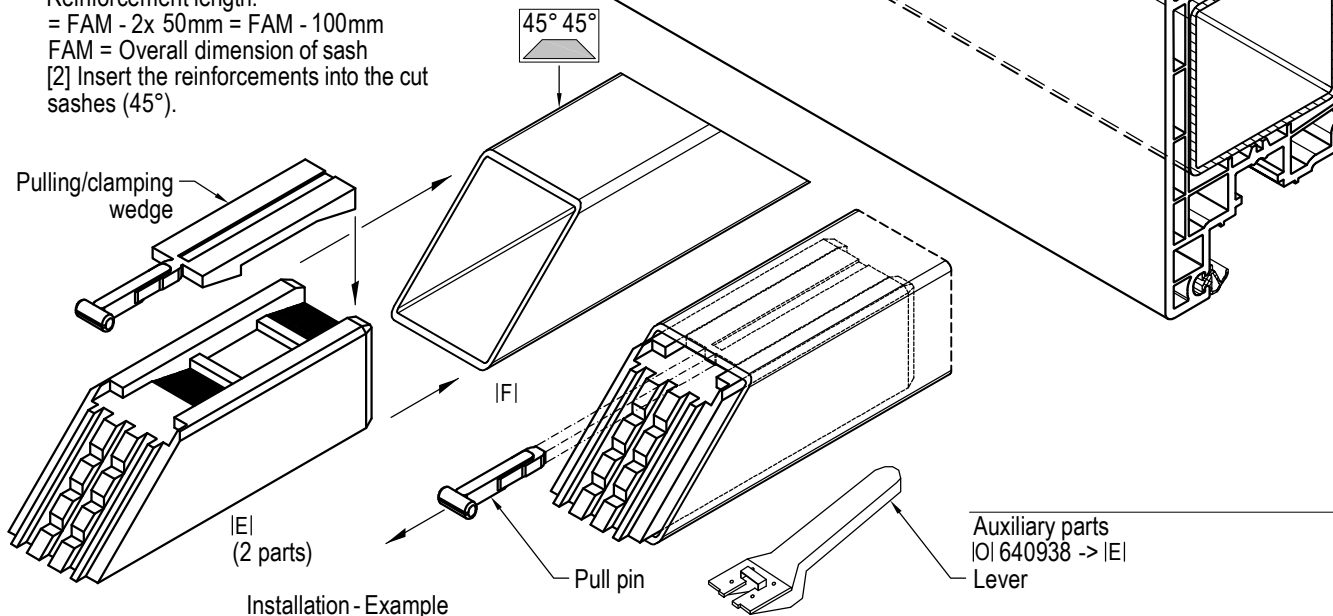
IEI 640038	FI  229135 <sup>3)</sup>
	FI  229137 <sup>4) 5)</sup>

- 1) Example
- 2) for white profiles
- 3) Hinge side
- 4) Lock side
- 5) 3x punched-out

[1] Mitre-cut the reinforcement for the corner bracket.

Reinforcement length:  
= FAM - 2x 50mm = FAM - 100mm  
FAM = Overall dimension of sash

[2] Insert the reinforcements into the cut sashes (45°).



Installation - Example

[3] Insert the corner bracket (consisting of pulling/clamping wedge and connector) into the reinforcement located in the profile.

[4] The corner connector must be flush with the sash's cutting edge.

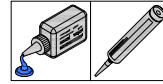
[5] Position and fix the corner bracket on both sides in the reinforcement. Clamp the pulling/clamping wedge with the lever 640938 (give a jerk to the pull-pin) to make sure that the bracket is very tight. The pin should break off due to the jerk.

[6] Weld the sash profiles including the bracket and the reinforcement.



Assembly instruction Weather bars  
Single-sash window (without drawing)

- [1] Cut the weather bar:  $L = FIF - 30$
- [2] Screw the end caps: FD2 3.9x16mm or FD21 3.9x19mm.
- [3] Install the weather bar incl. the end caps.
- [4] Seal all lateral joints and openings.

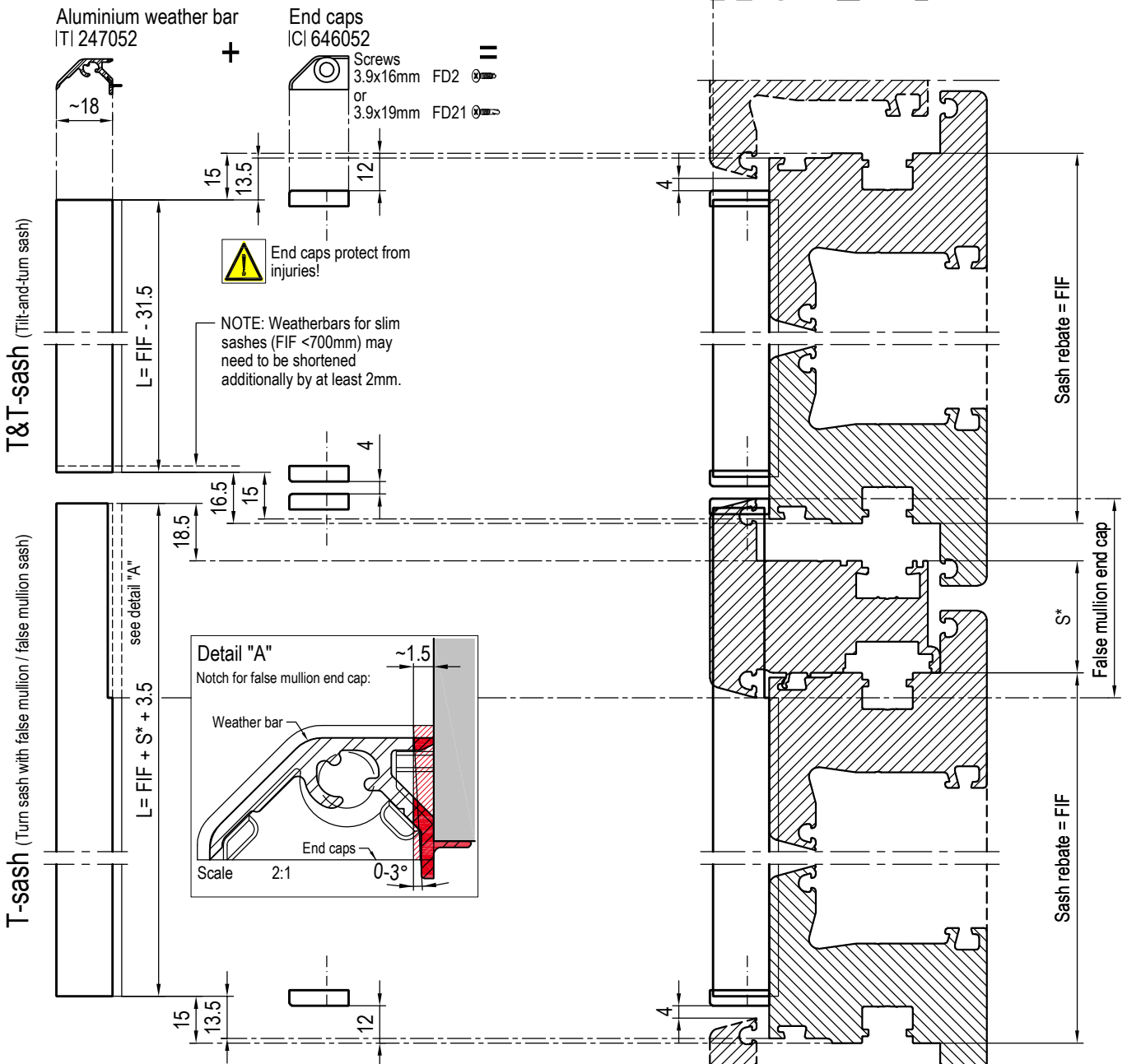
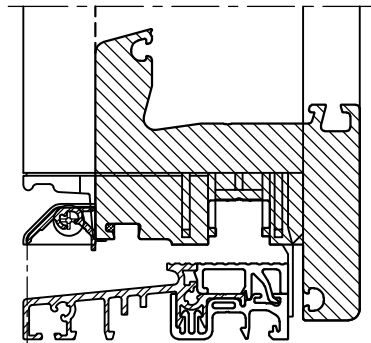


Profile series  
IDEAL 4000  
Construction depth  
70mm



Double-sash window with false mullion (French Casement) (see drawing / example)

- [1] Cut the weather bar of the turn and tilt&turn sash: see drawing!
- [2] Screw the end caps: FD2 3.9x16mm or FD21 3.9x19mm.
- [3] Notch the weather bar of the turn sash incl. the end caps in the area of the false mullion end cap by approximately 1.5mm (detail "A").
- [4] Install the weather bar incl. the end caps.
- [5] Seal all lateral joints and openings around the false mullion end caps.



\*S = 36mm -> 140x66, 140x67

\*S = 16mm -> 140x65

\*S = 0mm -> False mullion sash

(Example with) frame - sash 140x20 - false mullion 140x66 - false mullion end cap 640066 - threshold 249060

Scale 1:2

09\_J\_01\_4\*

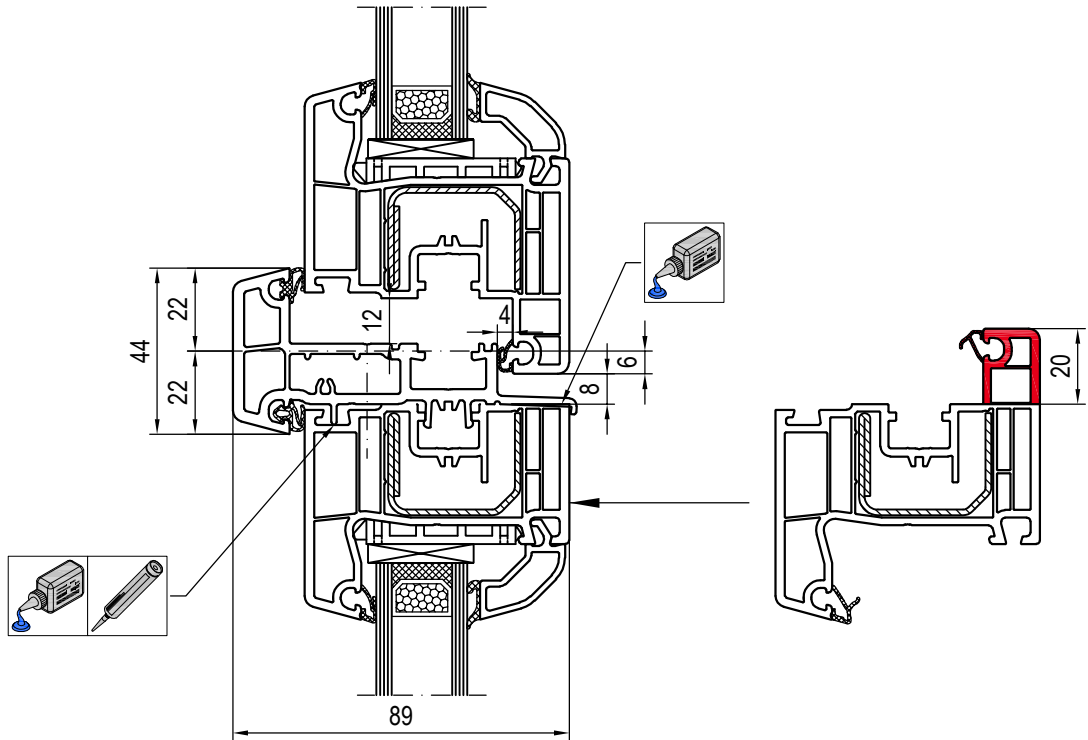
en May be subject to change and errors excepted!

Individual Handling

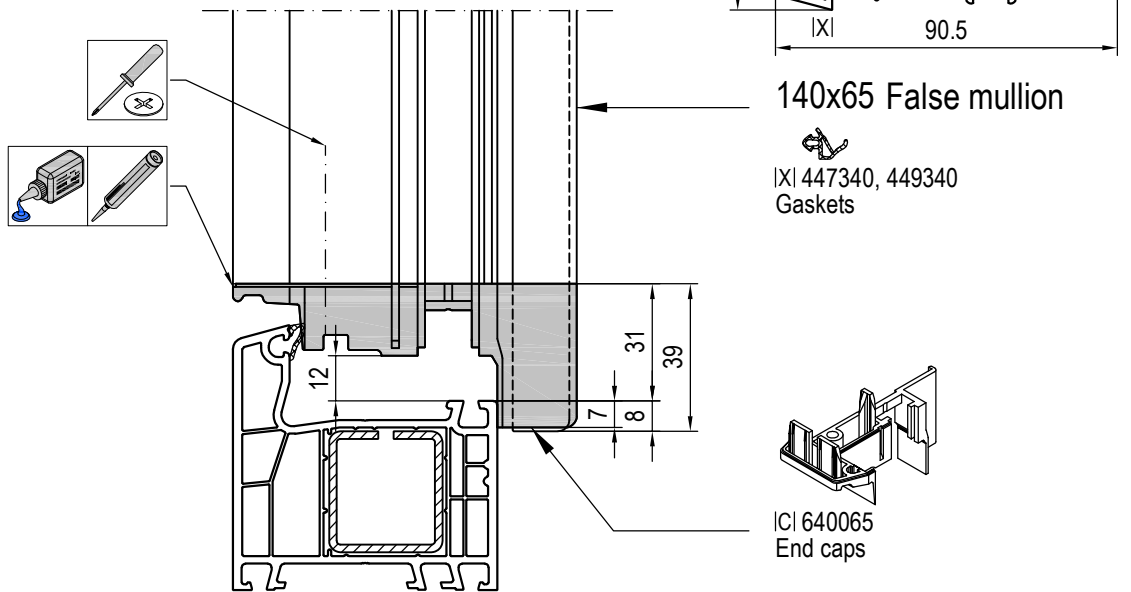
Thresholds/Doors  
Weather bar 247052



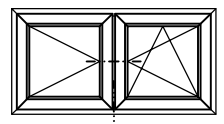
### Horizontal section



### Vertical section



Cutting length of false mullion: sash height - 78mm



(Example with) frame 140x07 - sash 140x20

Scale 1:2

09\_Z\_01\_4\*

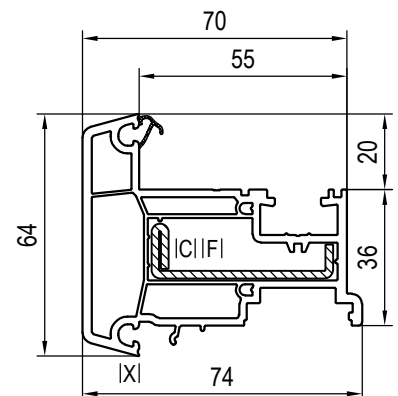
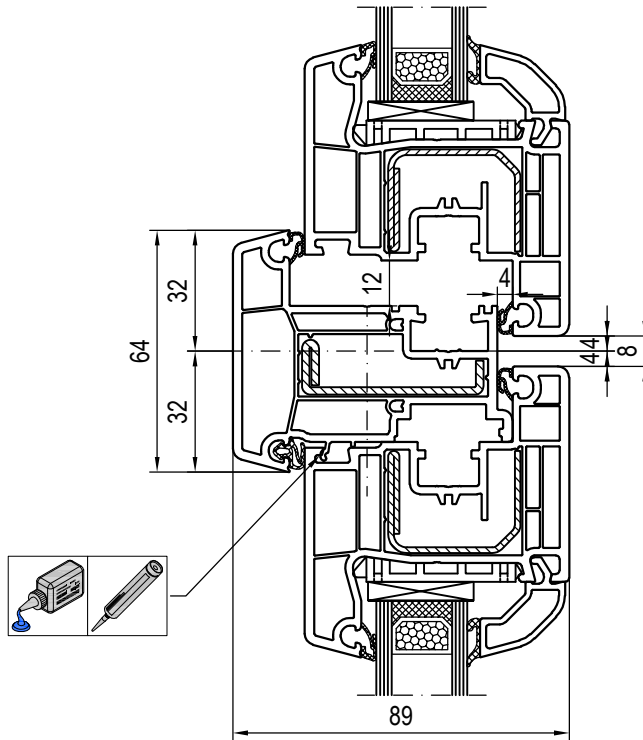
en May be subject to change and errors excepted!

**Individual Handling**

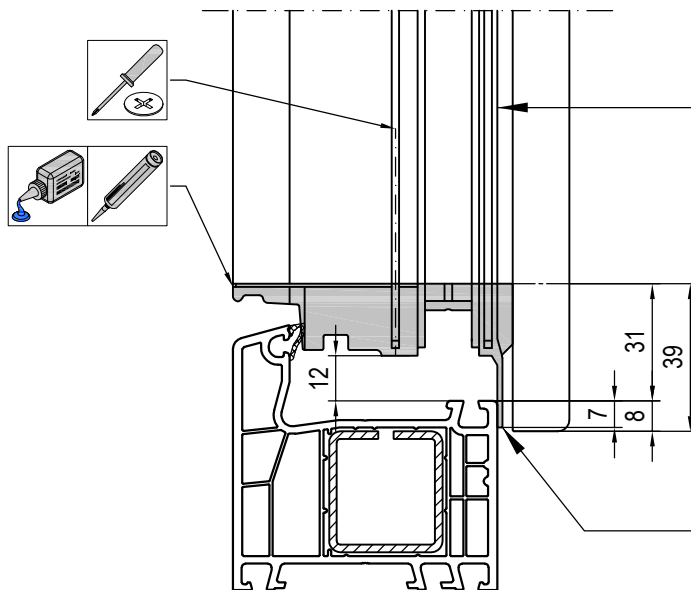
**Cutting Dimensions False mullion  
False mullion 140x65**



Horizontal section



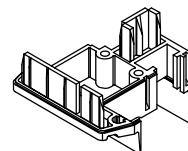
Vertical section



140x66 False mullion

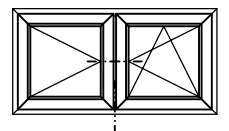
IXI 447340, 449340  
Gaskets

IFI 229063 s=2.0mm 4.3/0.2cm4  
Reinforcements



ICI 640066  
End caps

Cutting length of false mullion: sash height - 78mm



(Example with) frame 140x07 - sash 140x20

Scale 1:2

09\_Z\_01\_4\*

en May be subject to change and errors excepted!

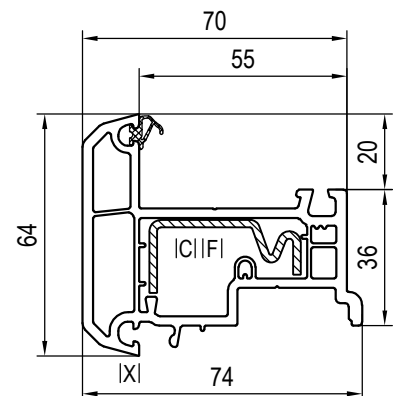
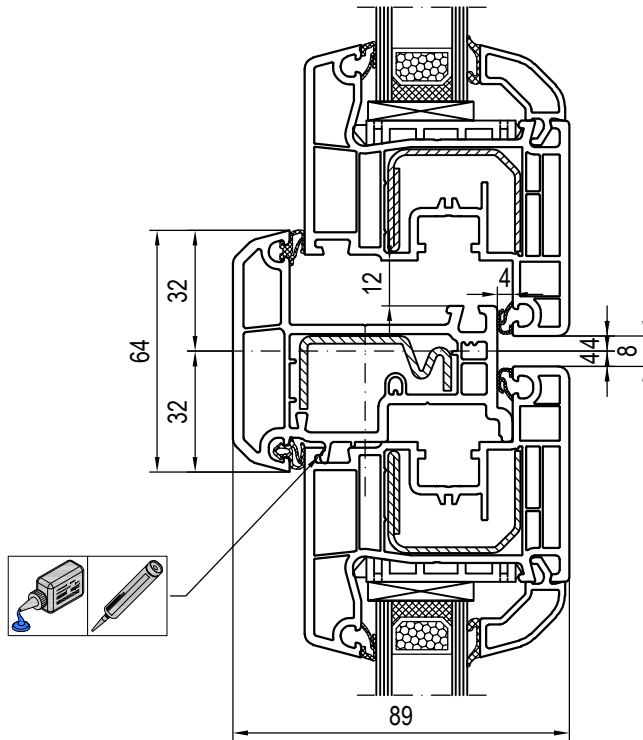
Individual Handling

Cutting Dimensions False mullion  
False mullion 140x66

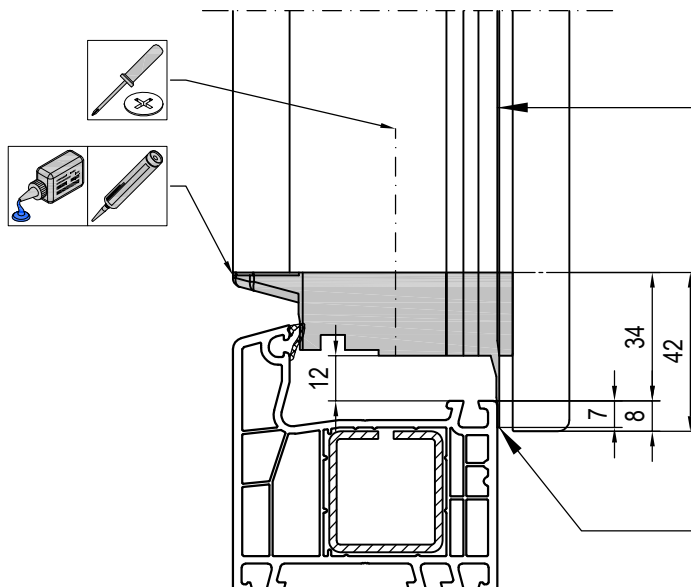




**Horizontal section**



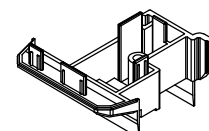
**Vertical section**



**140x67 False mullion**

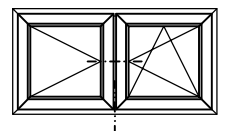
IXI 447340, 449340  
Gaskets

IFI 259094 s=2.0mm 3.1/0.4cm4  
Reinforcements



ICI 640067  
End caps

Cutting length of false mullion: sash height - 84mm



(Example with) frame 140x07 - sash 140x20

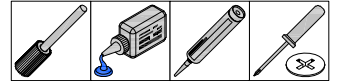
Scale 1:2

09\_Z\_01\_4\*

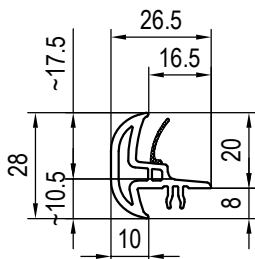
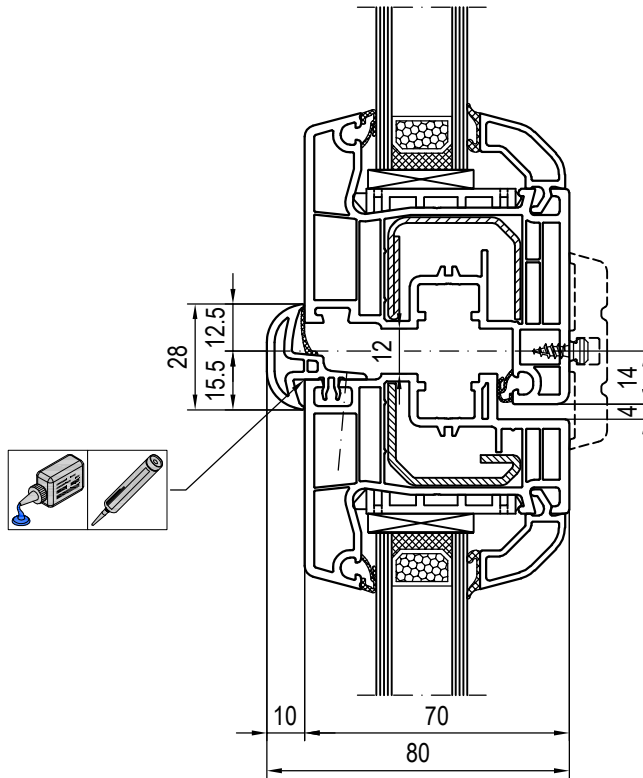
en May be subject to change and errors excepted!

**Individual Handling**

**Cutting Dimensions False mullion  
False mullion 140x67**

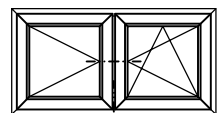
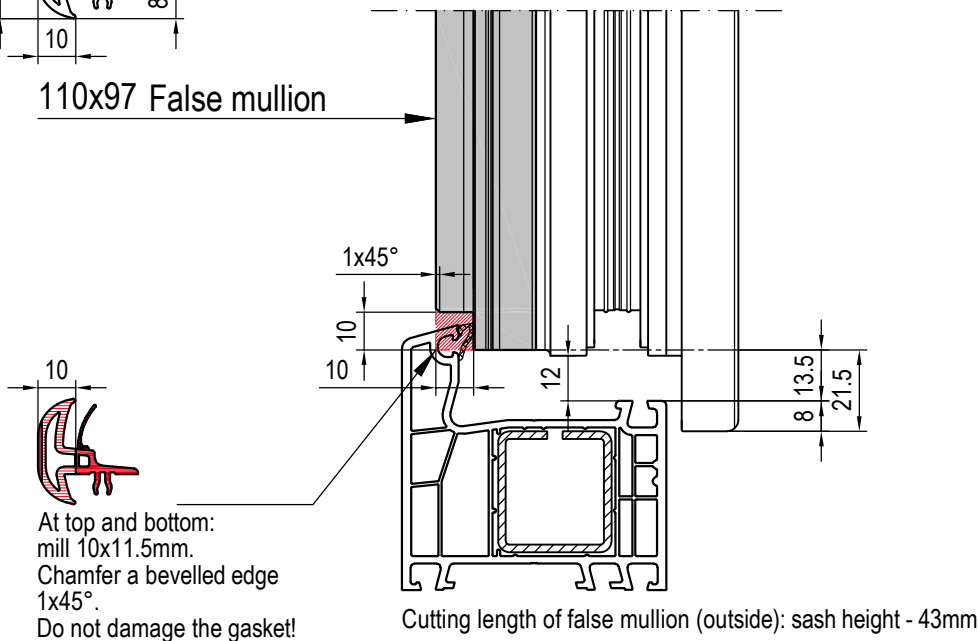


### Horizontal section



110x97 False mullion

### Vertical section



(Example with) frame 140x07 - sash 140x20 - false mullion sash 140x76

Scale 1:2

09\_Z\_01\_4\*

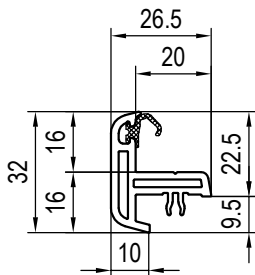
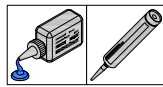
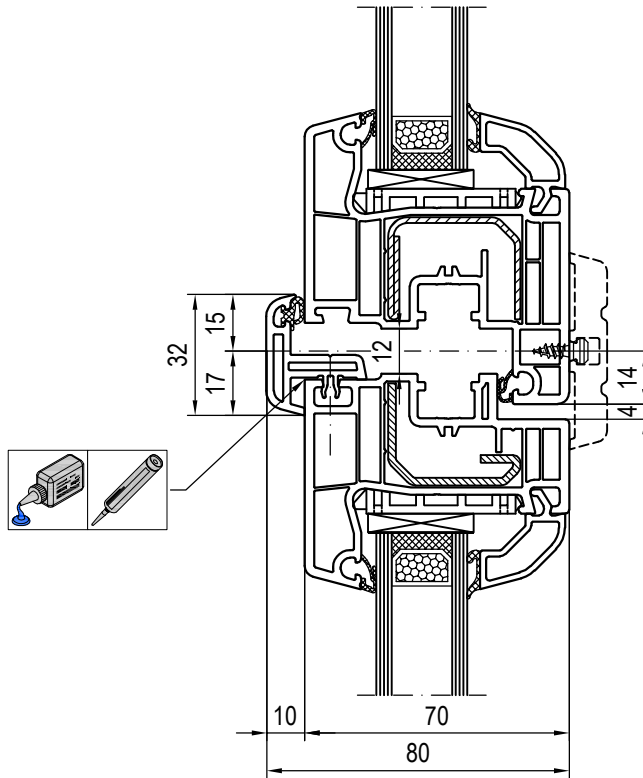
en May be subject to change and errors excepted!

**Individual Handling**  
**False mullion sash**

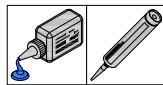
**Cutting Dimensions False mullion**  
**False mullion 110x97**



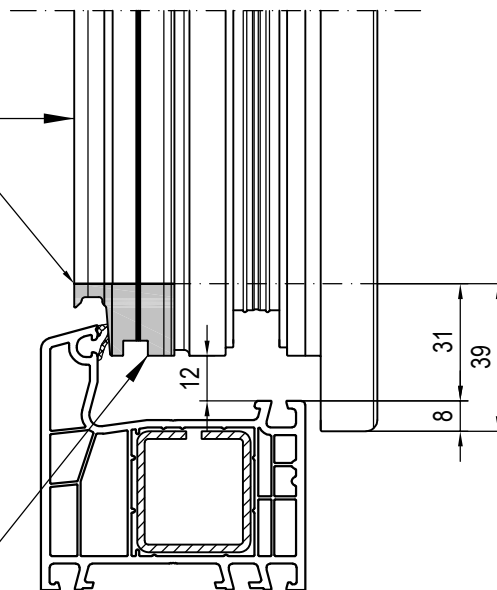
Horizontal section



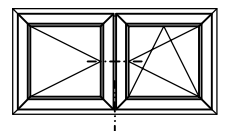
120x97 False mullion



Vertical section



Cutting length of false mullion (outside): sash height - 78mm



(Example with) frame 140x07 - sash 140x20 - false mullion sash 140x76

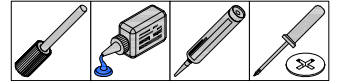
Scale 1:2

09\_Z\_01\_4\*

en May be subject to change and errors excepted!

Individual Handling  
**False mullion sash**

Cutting Dimensions False mullion  
**False mullion 120x97**



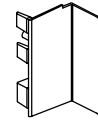
Assembly Instruction False mullion sash  
1x at top and 1x at bottom:

[1] Weld the false mullion sash to the sash.

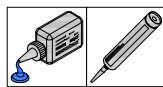
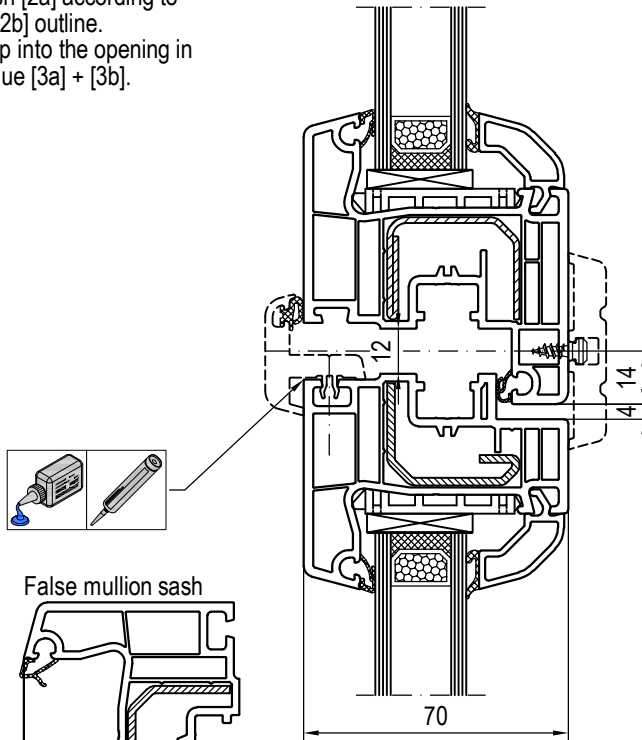
[2] Mill the projecting sash [2a] according to the false mullion sash's [2b] outline.

[3] Insert the end cap into the opening in the sash and fix it with glue [3a] + [3b].

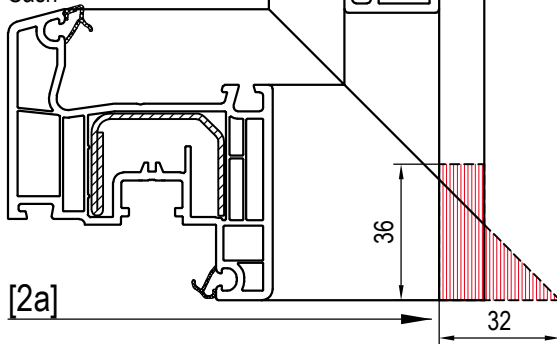
## Horizontal section



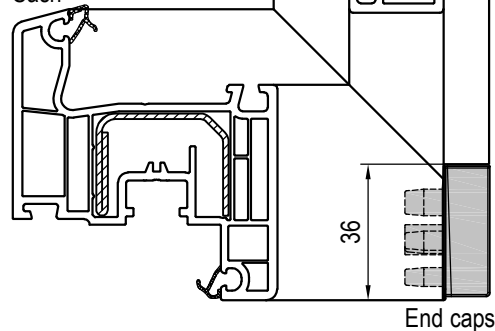
ICI 640082 (upper illustration)  
End caps



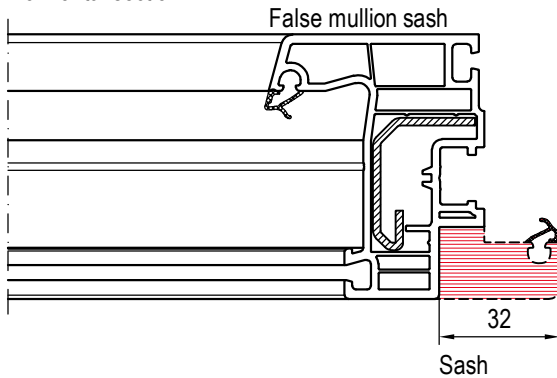
[1]  
Interior view  
Sash



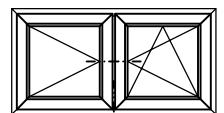
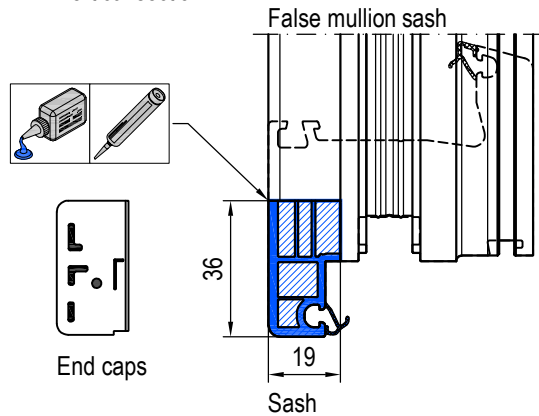
[3b]  
Interior view  
Sash



[2b]  
Horizontal section



[3a]  
Vertical section



(Example with) sash 140x20 - false mullion sash 140x76

Scale 1:2

09\_Z\_01\_4\*

en May be subject to change and errors excepted!

Individual Handling  
False mullion sash

Cutting Dimensions False mullion  
End caps 640028